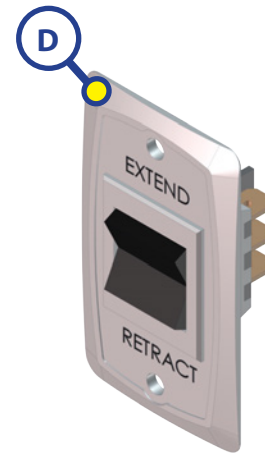
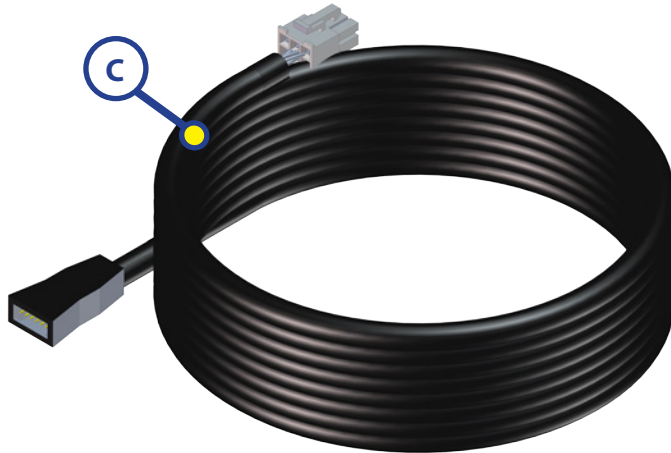
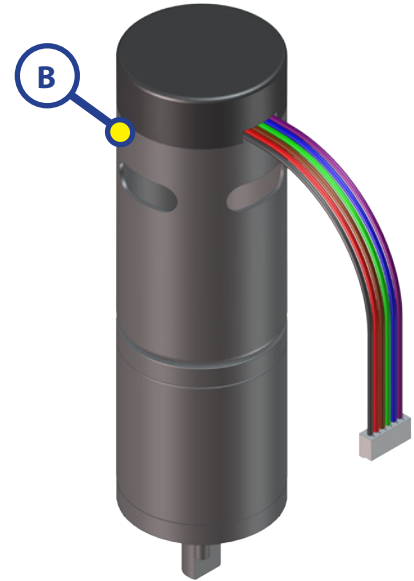
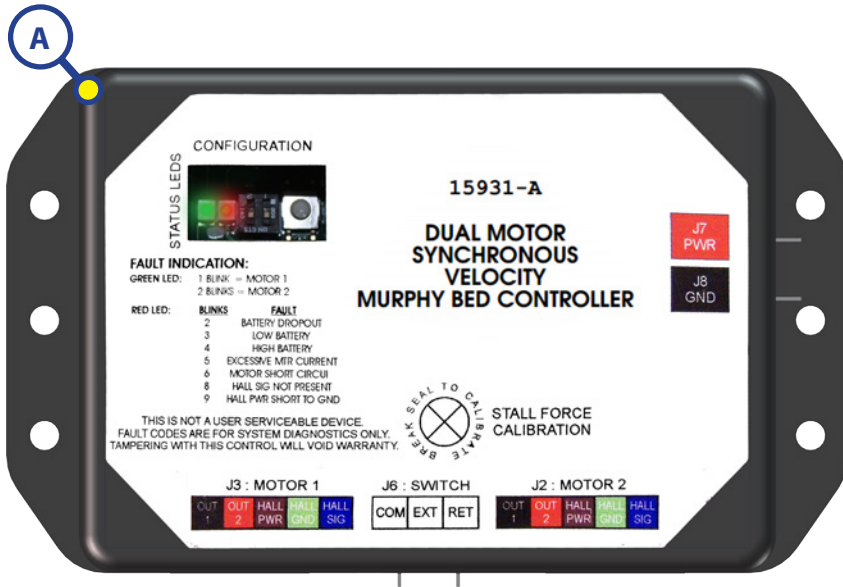


POWER AND MOTION

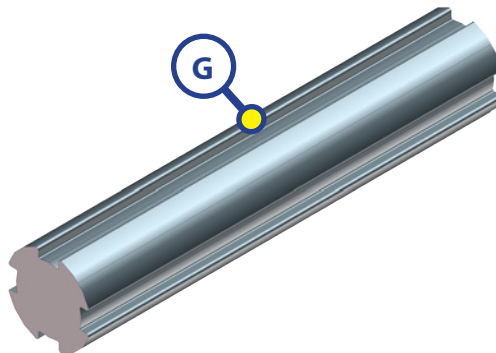
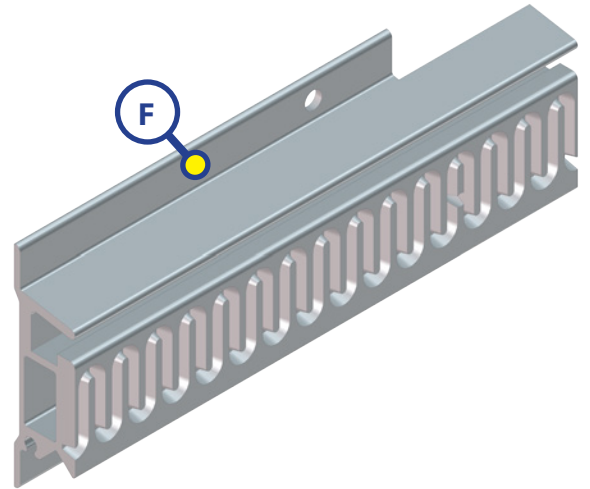
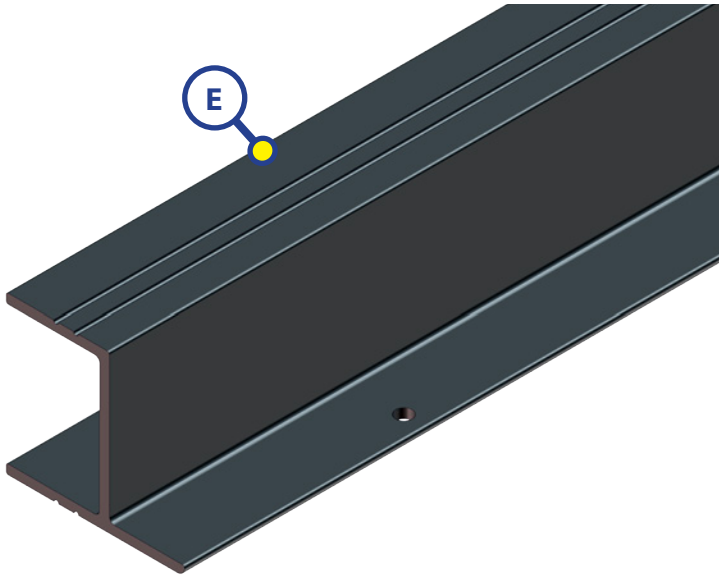


| Callout | Part # | Description |
|--|--------|---|
| A | 276398 | Dual Motor Synchronous Velocity Murphy Bed Controller |
| B | 236575 | 300:1 Motor |
| C | 247768 | Harness 15' - Motor to Controller |
| D | 199082 | Switch |
| NOTE: OEM supplied switch wiring (16 ga. minimum) | | |



SCHWINTEK MURPHY BED COMPONENTS

POWER AND MOTION



| Callout | Part # | Description |
|---------|--------|--------------|
| E | 238457 | H - Column |
| F | 254569 | Gear Rack |
| G | 238462 | Torque Shaft |