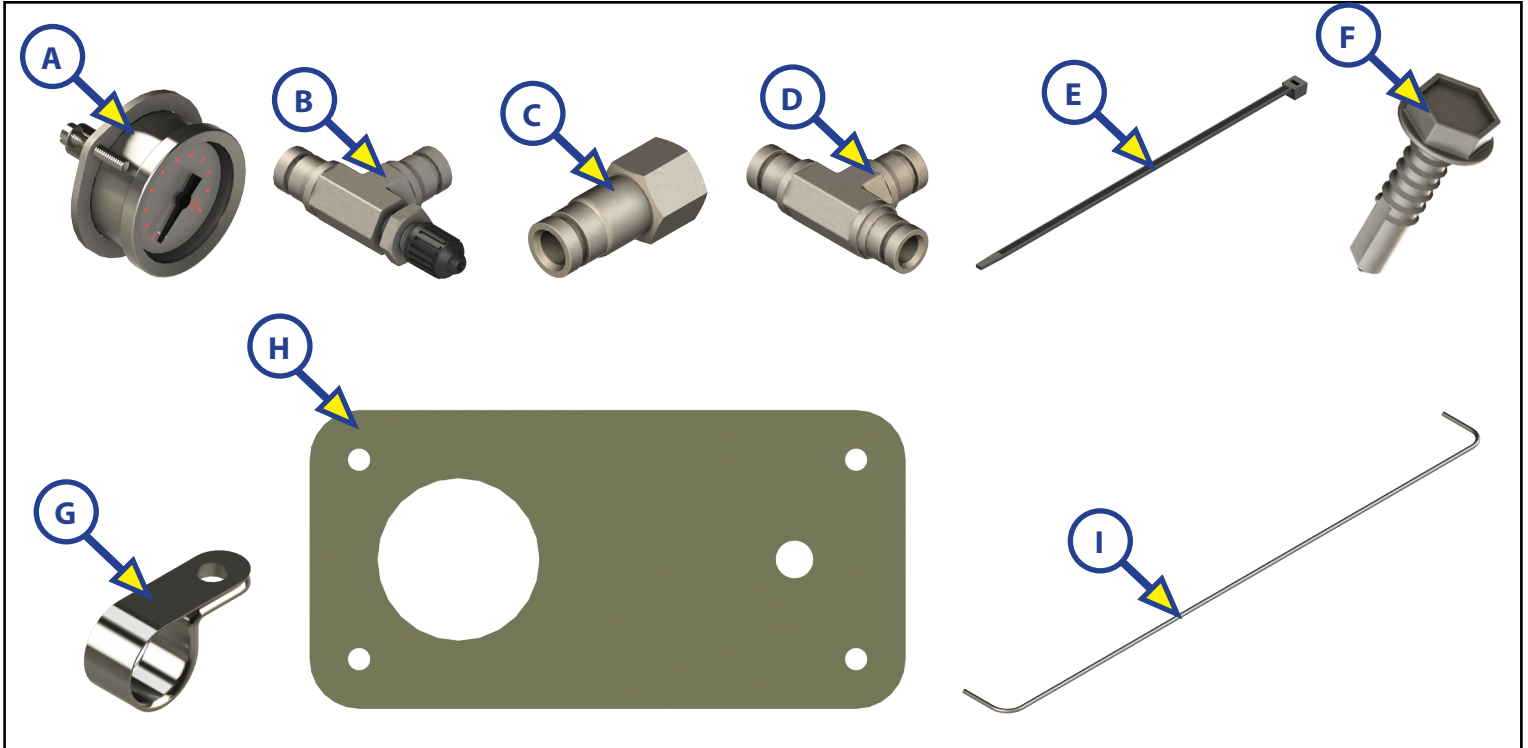


CENTER POINT® EQUALIZER COMPONENTS

AXLES AND SUSPENSION

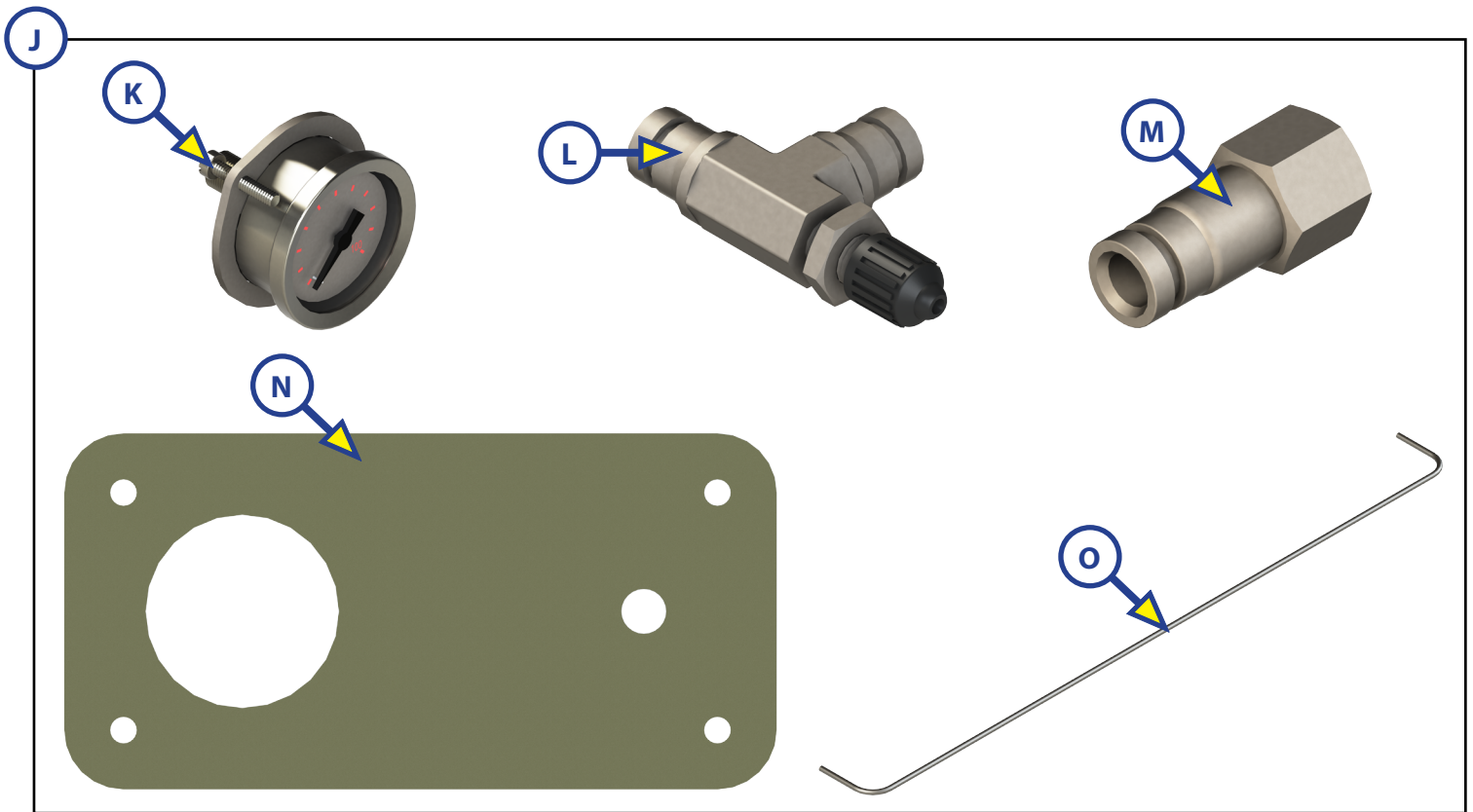


Center Point Pneumatic Kits (See BOM below for kit details)

Callout	Part #	Description	Tandem Axle Kits		Tri-Axle Kits	
			156700	249738	156701	249739
			Quantity			
A	156467	Air Gauge	1	1	1	1
B	156468	Fill Tee	1	1	1	1
C	156469	Bulkhead Connector	1	1	1	1
D	156470	1/4" Tee	1	1	3	3
E	156832	4" Black Zip Tie	4	4	8	8
F	157460	#10 x .75 Sheet Metal Screw	12	12	20	20
G	133684	1/2" Wire Clip	6	6	10	10
H	163517	Face Plate	1	1	1	1
I	156471	1/4" Air Line	1	-	1	-

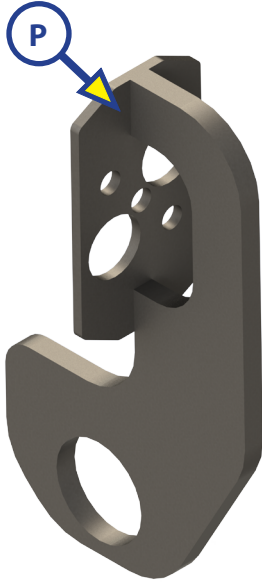
CENTER POINT® EQUALIZER COMPONENTS

AXLES AND SUSPENSION



Callout	Part #	Description
J	167545	Center Point Air Kit
K	156467	Air Gauge
L	156468	Fill Tee
M	156469	Bulkhead Connector
N	163517	Face Plate
O	156471	Tubing, 1/4" Air Line

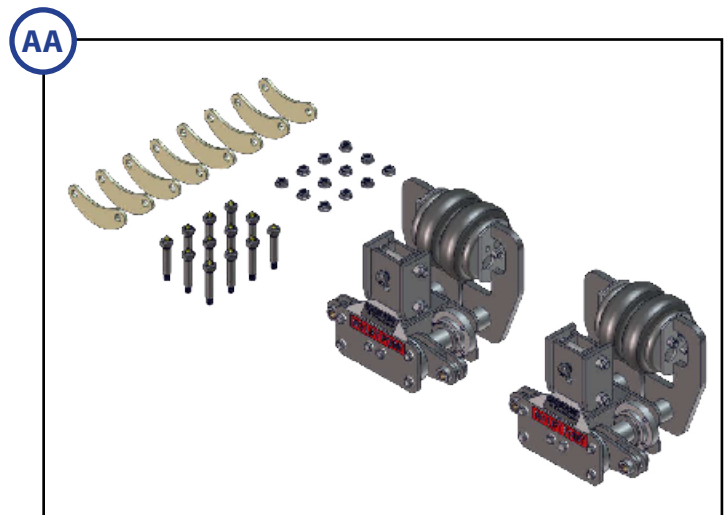
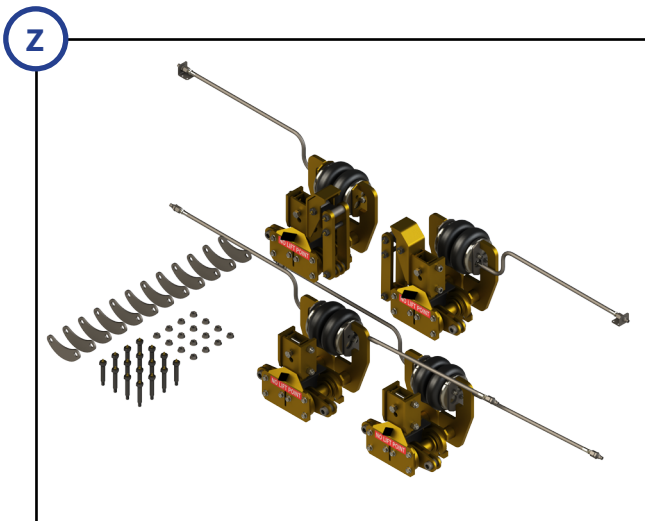
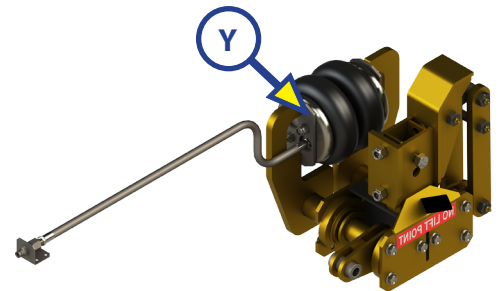
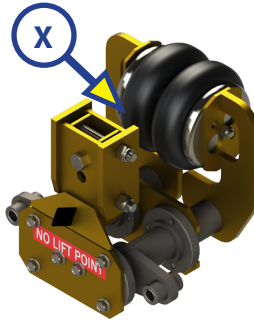
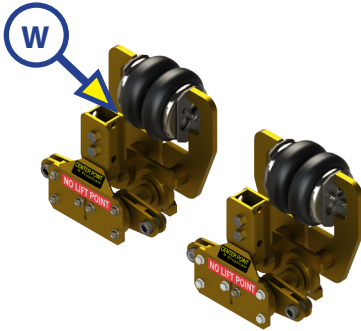
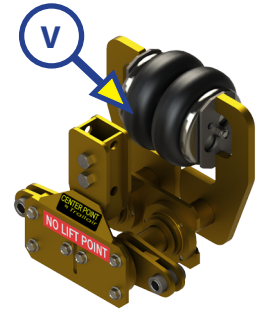
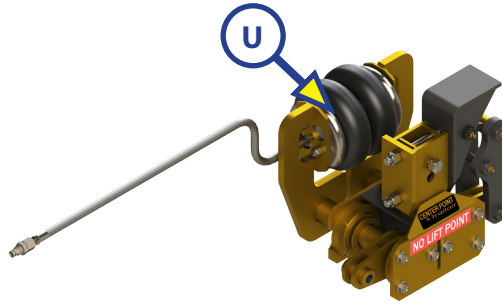
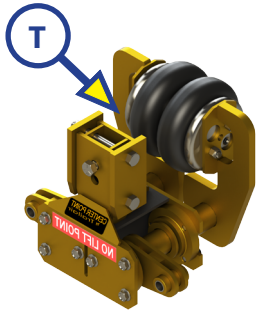
AXLES AND SUSPENSION



Callout	Part #	Description
P	177554	Bag Arm
Q	269110	Clamp Bracket
R	156465	Decal
S	161333	Instructions Label

CENTER POINT® EQUALIZER COMPONENTS

AXLES AND SUSPENSION



Callout	Part #	Description
T	155967	Hub Assembly (LH)
U	155968	Tri-Axle Assembly (LH)
V	174999	Sub Assembly (LH)
W	175000	Suspension Kit Tandem
X	181082	EQ Center Point Assembly (LH)
Y	269226	Assembly Tri-Axle DRV (LH)
Z	269272	Tri-Axle DRV (AP Kit included)
AA	207366	Tandem Axle DRV (AP Kit included)