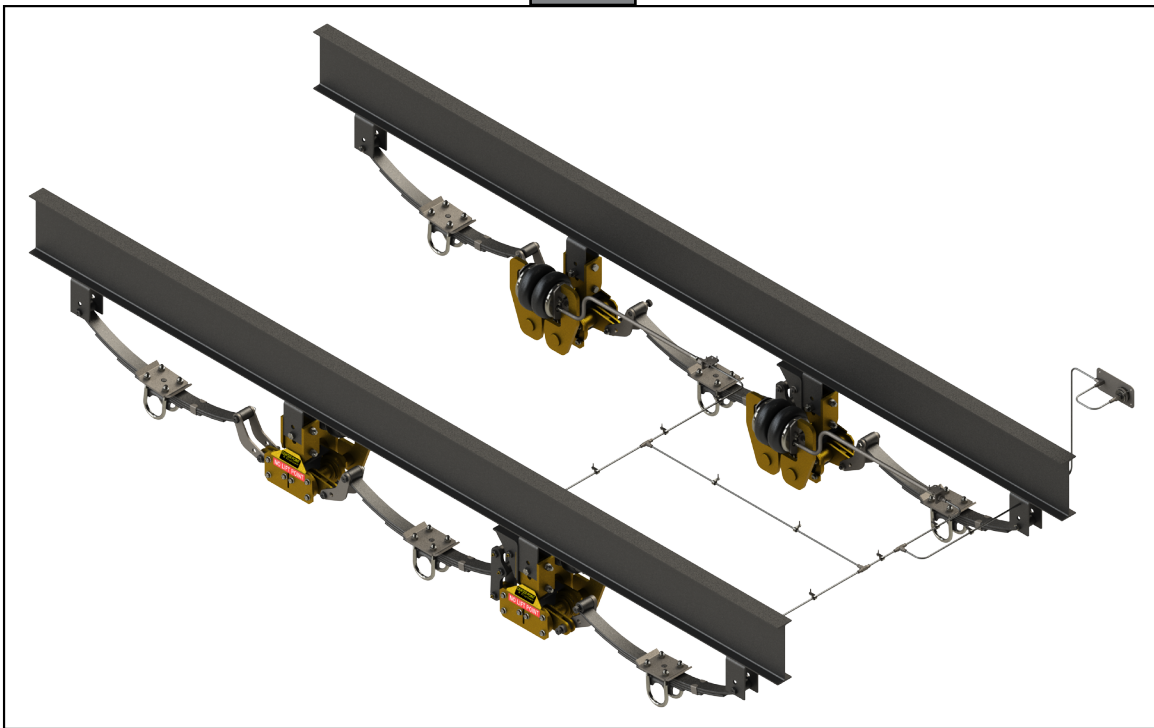


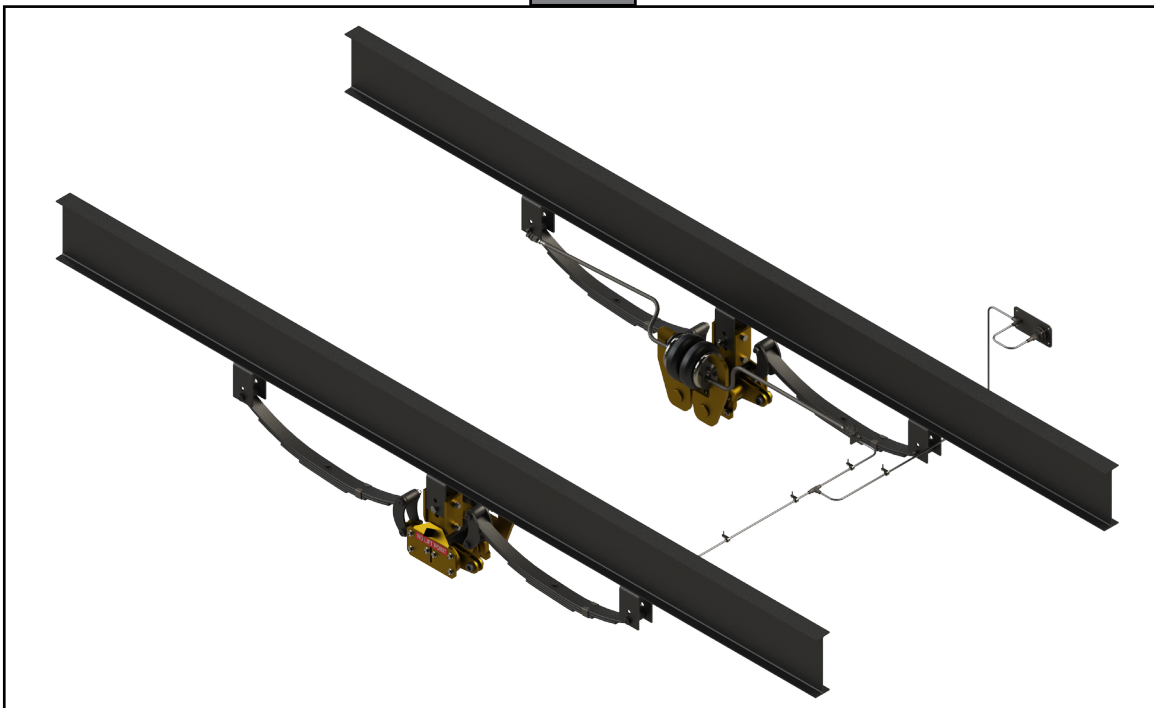
AXLES AND SUSPENSION

Fig. 1



156405 - Center Point Tri-Axle Assembly

Fig. 2



156406 - Center Point Tandem Axle Assembly₁