



WELCOME to the Kwikkee Products Service Training.

It is our sincere hope that the information you gain from this training will enhance your confidence in and familiarity with the products we manufacture. The information will give you overviews of the products and some details on installation, maintenance, and repair.

From time to time, changes occur in procedures, specifications, and even the products themselves. As with any product information, keeping the latest information at your disposal is an ongoing and integral part of providing you with a quality product. Every product we ship includes the most current documentation and RV manufacturers provide binders or files for owners to store Kwikkee and other product documentation in the RV. But we know that doesn't always happen. We know, too, that RVs get serviced, parts get changed, and changes aren't reflected or noted in the original documentation. If, however, there is documentation, we encourage you to look it over before servicing the equipment, even if you are fairly familiar with the product.

KWIKTIP

On the front page of every Kwikkee document is a literature number and the date the document was development or revised.



3/04 Kwikkee Products
#1422259

CARGO SLIDES



Heavy Duty Slide

Super Slide II

Super Slide

ONE company
many **ONE**
SOLUTIONS
ONE

Kwikée

powergear

EXCEPTIONAL SYSTEM FEATURES

Storage capacity *Hefty 800 lbs.*

Perfect fit *Range of slide assemblies depths and Trim Kits for widths from 17" to 51". Trim Kit includes end pieces, mid-rails, and squaring jig.*

Smooth action *Stainless steel, roller-bearings deliver smooth, easy operation. Slide latches in extended and stowed positions.*

Ready access *90" assembly pulls out either direction. Other sizes pull one direction for convenient access to stored items.*

Flooring *Mid-rail trim pieces provide extra strength. Customer supplied flooring and covering leave mid-rails exposed to keep smaller items from shifting or cover mid-rails for smooth flooring all the way.*

Remote control *Choose optional PowerSlide Module to motorize Super Slide II. Operate via remote control or manually. (Part number listed includes 90" SSI assembly, Power module, and Transmitter -- requires Trim Kit.)*

SuperSlide II: Non-motorized cargo slide. Part number includes SuperSlide II slide side rail assemblies. Requires Trim Kit.

36" SuperSlide II, 1-way pull	905893000
42" SuperSlide II, 1-way pull	905890000
48" SuperSlide II, 1-way pull	905891000
54" SuperSlide II, 1-way pull	905892000
60" SuperSlide II, 1-way pull	905895000
90" SuperSlide II, 2-way pull	905849900

Super Slide II

Super Slide II strikes a welcome balance between weight savings and cargo storage capacity and strength. Order Slide Assembly by compartment depth and self-squaring Trim Kit to fit compartment width.



Add PowerSlide Module for Remote Control Operation



Trim Kits: End pieces and mid-rails. Order width to fit compartment. Allow for door clearance.

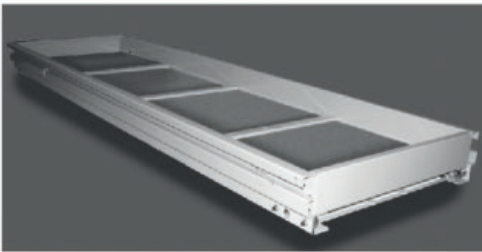
17" Trim kit, 2 end pieces, 3 mid-rails	905849017	33" Trim kit, 2 end pieces, 3 mid-rails	905849033
19" Trim kit, 2 end pieces, 3 mid-rails	905849019	35" Trim kit, 2 end pieces, 3 mid-rails	905849035
21" Trim kit, 2 end pieces, 3 mid-rails	905849021	37" Trim kit, 2 end pieces, 3 mid-rails	905849037
23" Trim kit, 2 end pieces, 3 mid-rails	905849023	39" Trim kit, 2 end pieces, 3 mid-rails	905849039
24" Trim kit, 2 end pieces, 3 mid-rails	905849024	41" Trim kit, 2 end pieces, 3 mid-rails	905849041
25" Trim kit, 2 end pieces, 3 mid-rails	905849025	42" Trim kit, 2 end pieces, 3 mid-rails	905849042
27" Trim kit, 2 end pieces, 3 mid-rails	905849027	44" Trim kit, 2 end pieces, 3 mid-rails	905849044
30" Trim kit, 2 end pieces, 3 mid-rails	905849030	48" Trim kit, 2 end pieces, 3 mid-rails	905849048
32" Trim kit, 2 end pieces, 3 mid-rails	905849032	51" Trim kit, 2 end pieces, 3 mid-rails	905849051

PowerSlide: 90" SuperSlide II assembly, Power Module, and Transmitter. Requires Trim Kit.

90" PowerSlide, 2-way pull	905849911
----------------------------	-----------



SuperSlide II and Trim Kit Installation



SuperSlide II and Trim Kit Installation Instructions

Included in SuperSlide II and Trim Kit for SuperSlide II

Description	Qty.
Rivet, 3/16 x .250 (SB-64)	40
Inner rail assembly	2
Outer rail assembly	2
Slide square jig knee brace	4
End trim piece: X" *	2
Mid-rail trim piece: X" *	3
Slide square jig cross strip; X" *	2

* Where X" = the width of slide (24", 32", 37", 39", 44", or 51")

Note: OEM widths in 1" increments

Tools needed

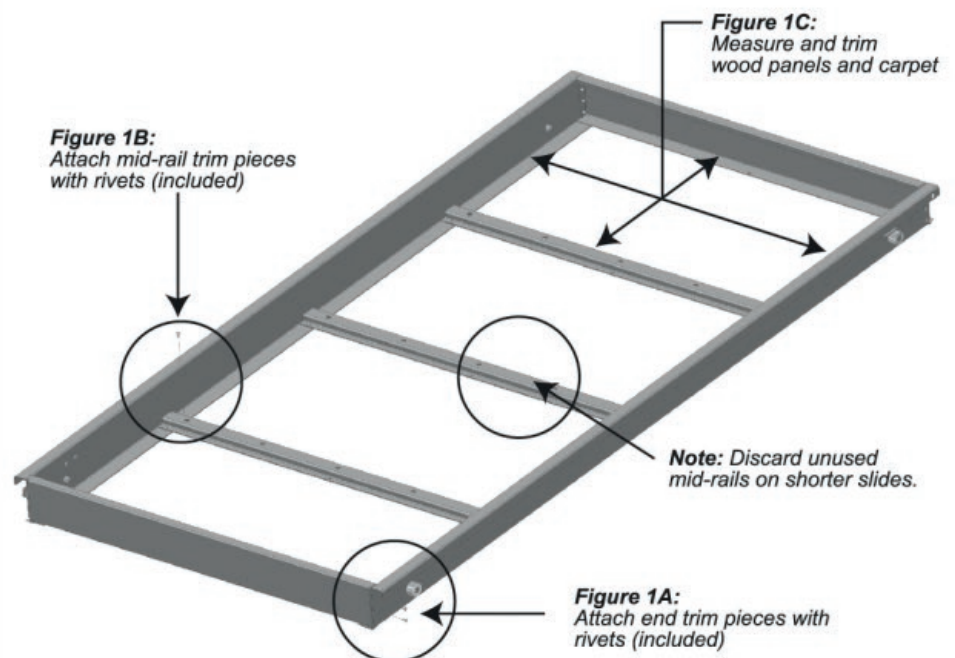
- Plywood or particalboard for panel inserts
- Carpet or other matieral to cover panel inserts
- Wood screws
- Safety glasses
- #2 Phillips screwdriver
- Pop-rivet gun
- Two-by-fours or other wood may be needed to raise slide enough to clear cargo compartment door

Instructions cover the installation of SuperSlide II Assemblies and Trim Kit for SuperSlide II.

Inner Rail Assembly

- Align pre-drilled holes and attach end trim pieces to inner rail assembly using two rivets on the side and one in each corner. (Figure 1A)
- Align mid-rail trim pieces to holes along inside edges of inner rail assembly. Attach each mid-rail with four rivets; two on left side and two on right side of each mid-rail. (Figure 1B)
- Measure inside dimensions of each insert area for wood insert panels (not provided). (Figure 1D) See Figure 2 on next page for optional method using a single carpet-covered panel over the wood inserts and mid-rails.
- Allowing for thickness of panel covering, trim plywood or particleboard. Check fit.
- Cover panels with carpet or other material, such as vinyl or rubber mat.

Figure 1: Assemble inner rail, end and mid-rail trim pieces.



SuperSlide II Installation Instructions

- Attach carpeted panels with wood screws (not provided) shown in **Figure 2**.

Outer Rail Assembly

- Using rivets, attach a slide jig square cross strap to the outer rail assemblies at each end. (**Figure 3A**)
- Using rivets, attach a slide jig square knee brace to the outer rail assemblies at each corner. (**Figure 3B**)
- Before attaching the outer rail assembly to the floor of the cargo compartment, check for clearance at the compartment door. It may be necessary to raise the outer rail assembly up a few inches using two-by-fours (not provided). Make sure that the inner rail assembly will clear the edges of the cargo compartment door.
- Align inner rail assembly rollers with outer rail assembly rollers and slide inner rail assembly into place. It may be necessary to flex outer rails out to clear stops.
- Attach mounting tabs shown in **Figure 3C** of the outer rail assembly to floor (or two-by-fours) of the cargo compartment using carriage bolts (not provided).
- Check to make sure the latch secures the inner rail assembly when the slide is in the stowed position.

Figure 2: Install carpet-covered wood panels into inner rail assembly.

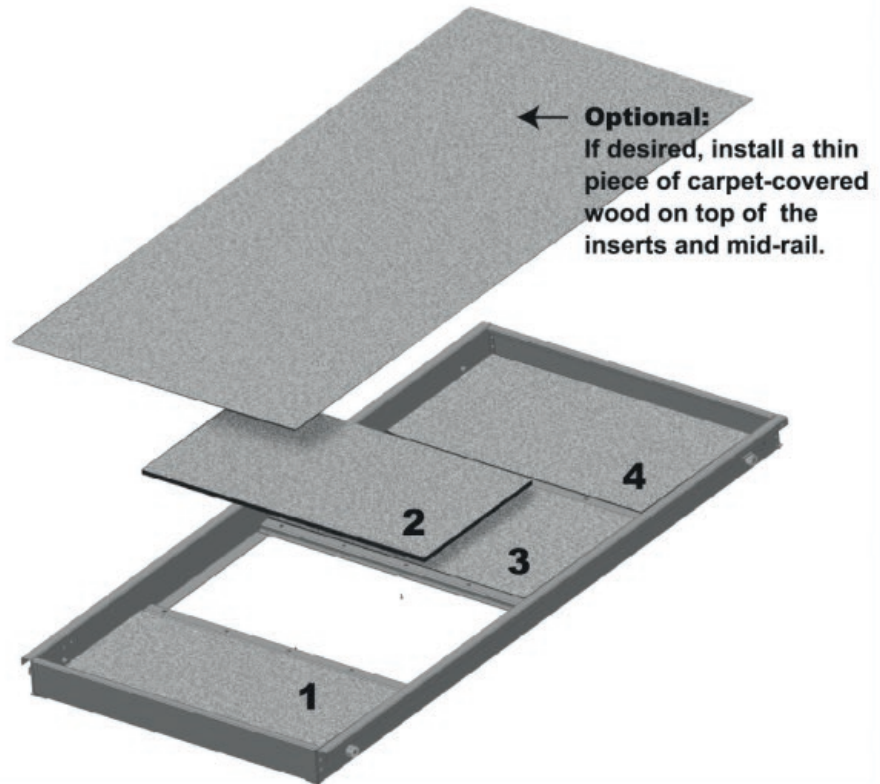
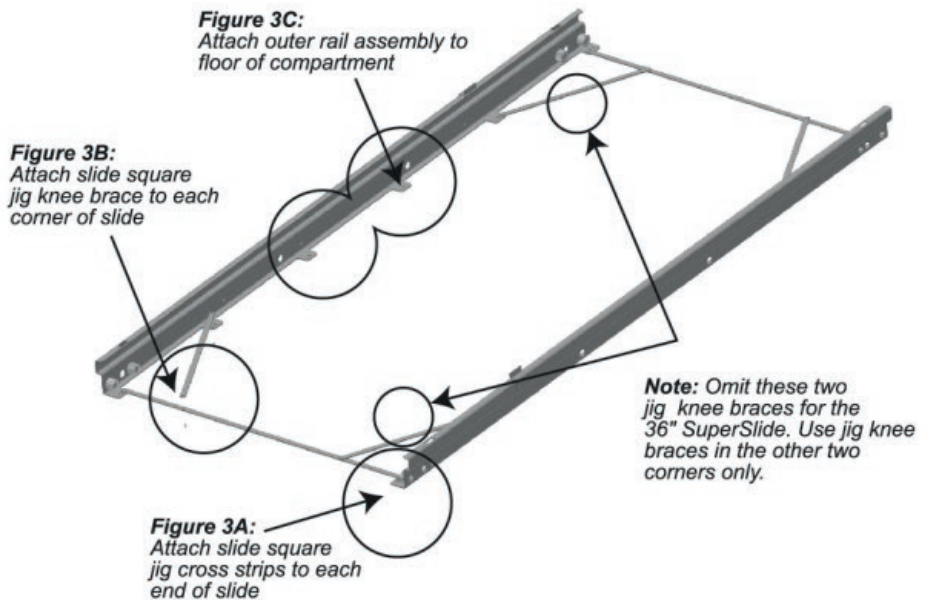


Figure 3: Assemble and install outer rail.

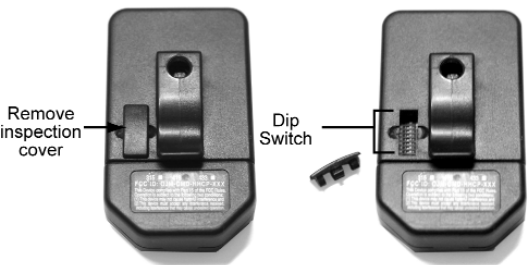


REMOTE CONTROL OPTION FOR SSII



Changing Code on SuperSlide II PowerSlide RF Remote Transmitter

© 2003 Kwikkee Products Co., Inc.
Kwikkee #1422273 Rev. 1, 05/03



The power slide RF Remote operates on a frequency of 418 MHZ. Each remote may be individually set to operate on a different code setting. The remote comes factory preset to a specific code.

To set a new remote to match the primary remote, remove the inspection cover on the back of the new remote. Adjust the dip switch in the new remote to match the code settings previously copied from the primary remote.

If you have purchased a second remote you will need to change the code in the remote you purchased to match the code settings of your primary remote.

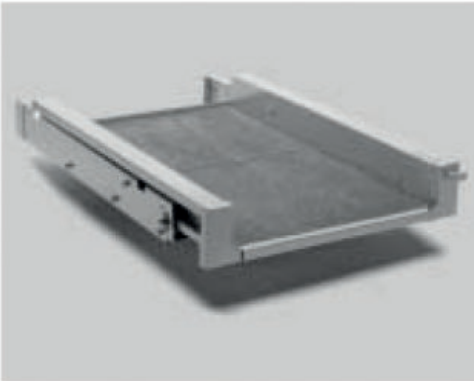
NOTE: *If you are creating a new code you will need to reprogram the Power Slide. Refer to **Figure 5** on Page 3 of the SuperSlide II PowerSlide Assembly Instructions (manual P/N 142275.)*

ON	ON	ON	ON	ON	ON	ON	ON	ON	ON
1	2	3	4	5	6	7	8	9	10

First remove the inspection cover of the primary remote by prying it up at the recessed spots. Write down the remote settings in the diagram provided here.



Super Slide™ Installation



Super Slide™ Installation Instructions

READ ALL INSTRUCTIONS CAREFULLY BEFORE STARTING

SUPER SLIDE ASSEMBLY

- 2 Slide assemblies (1 left, 1 right)
- 2 Base brackets (1 left, 1 right)

TRIM PIECES*

- 1 Front support bracket (U-channel)
 - 1 Rear support bracket (L-bracket)
- * 2-way pull uses 2 U-channels

OTHER HARDWARE AND PARTS

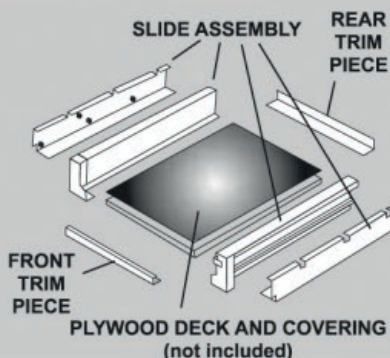
(NOT INCLUDED: Quantity of hardware and size of deck material vary by installation)

- 1 3/4" plywood deck, cut to fit application
- 5/16"-18 carriage bolts
- 1 Carpet or other material to cover plywood for deck (optional)
- 5/16"-18 carriage bolts (length depends on mounting surface thickness)
- 5/16" flat washers
- 5/16" split lock washers
- 5/16" 18 hex nuts
- 1/4" pan-head wood screws

Slide length determined by compartment depth.



Slide width determined by width of deck installation.

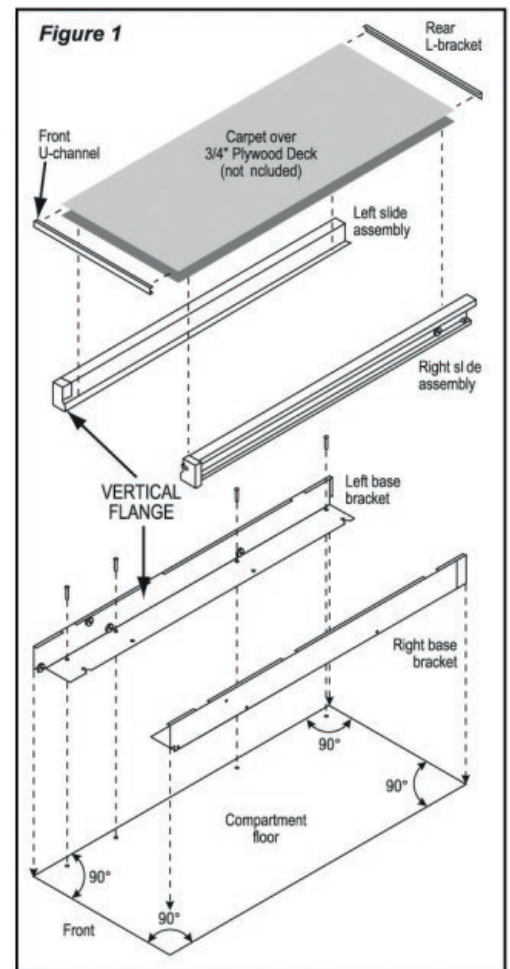


1. SuperSlide consists of seven component parts, 2 (left and right) base brackets, 2 (left and right) slide assemblies, 1 front U-channel*, 1 rear L-bracket*, 1 deck (constructed of 3/4" plywood and carpet, not included)
- * 2-way pull SuperSlides use 2 U-channels
- Make sure that all component parts and hardware listed are available before continuing installation.

2. Set the base brackets in the compartment, positioning them a minimum of 2 1/2" back from the inside of the compartment door or door hardware if applicable.) Align both left and right base brackets in a squared parallel configuration as shown in **Figure 1**.

3. Mark the locations of the square mounting holes, remove the base brackets and drill the mounting holes with an 11/32" diameter drill bit. Use 5/16"-18 carriage bolts, flat washers, lock washers, and hex nuts (not included) and securely bolt the base brackets in place.

4. The depth of the deck is set by the vertical flanges on the slide assemblies. The width of the deck is determined by measuring the distance inside the vertical flanges on the base brackets and subtracting 2 1/2". Use the holes in the slide component horizontal flange to attach the deck.



5. Attach the front U-channel and rear L-bracket to the deck using pan-head screws and the holes provided. The 2-way pull SuperSlides use U-channel on front and rear.

NOTE: If compartment opening has a lip on the bottom edge which is greater than 3/4", it will be necessary to construct plywood spacers to raise the base brackets and allow clearance for slide extension. Make spacers the same dimension as the base bracket horizontal flanges.

Superslide Installation Instruction

6. With the deck installed, you are ready to slip the completed slide assembly into the base brackets that have been secured to the compartment floor. Position the 1" square tube located on the outside of the slide assembly on top of the slide support bearings. (See **Figure 2**.)

Occasionally pull the latch release as the slide goes in so the latch bearing will clear the upper flange of the base bracket and the latch stops. Lift the front of the assembly slightly to gain clearance for the roller guide and roller bearing.

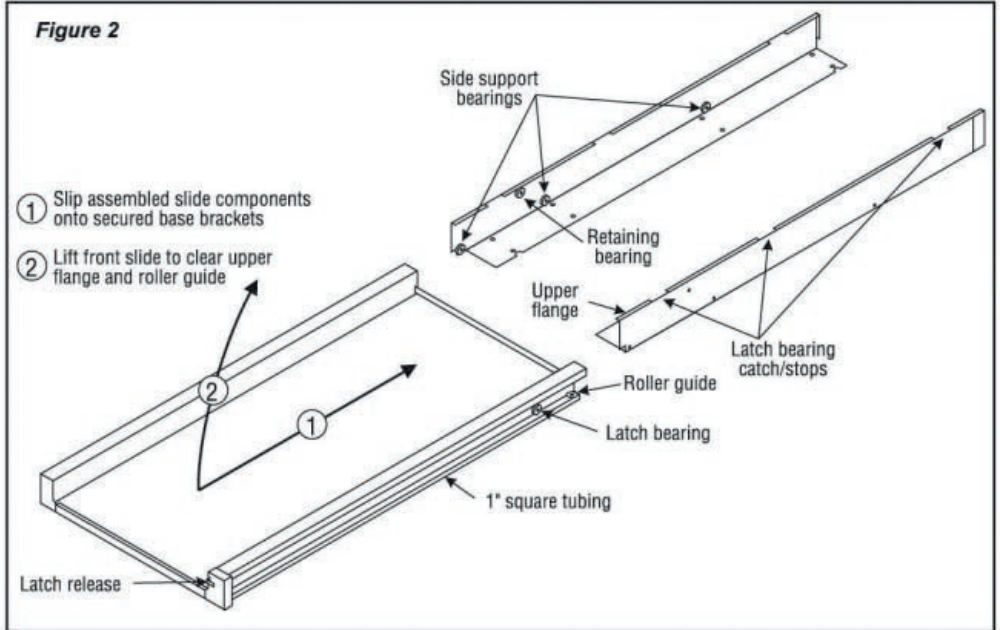
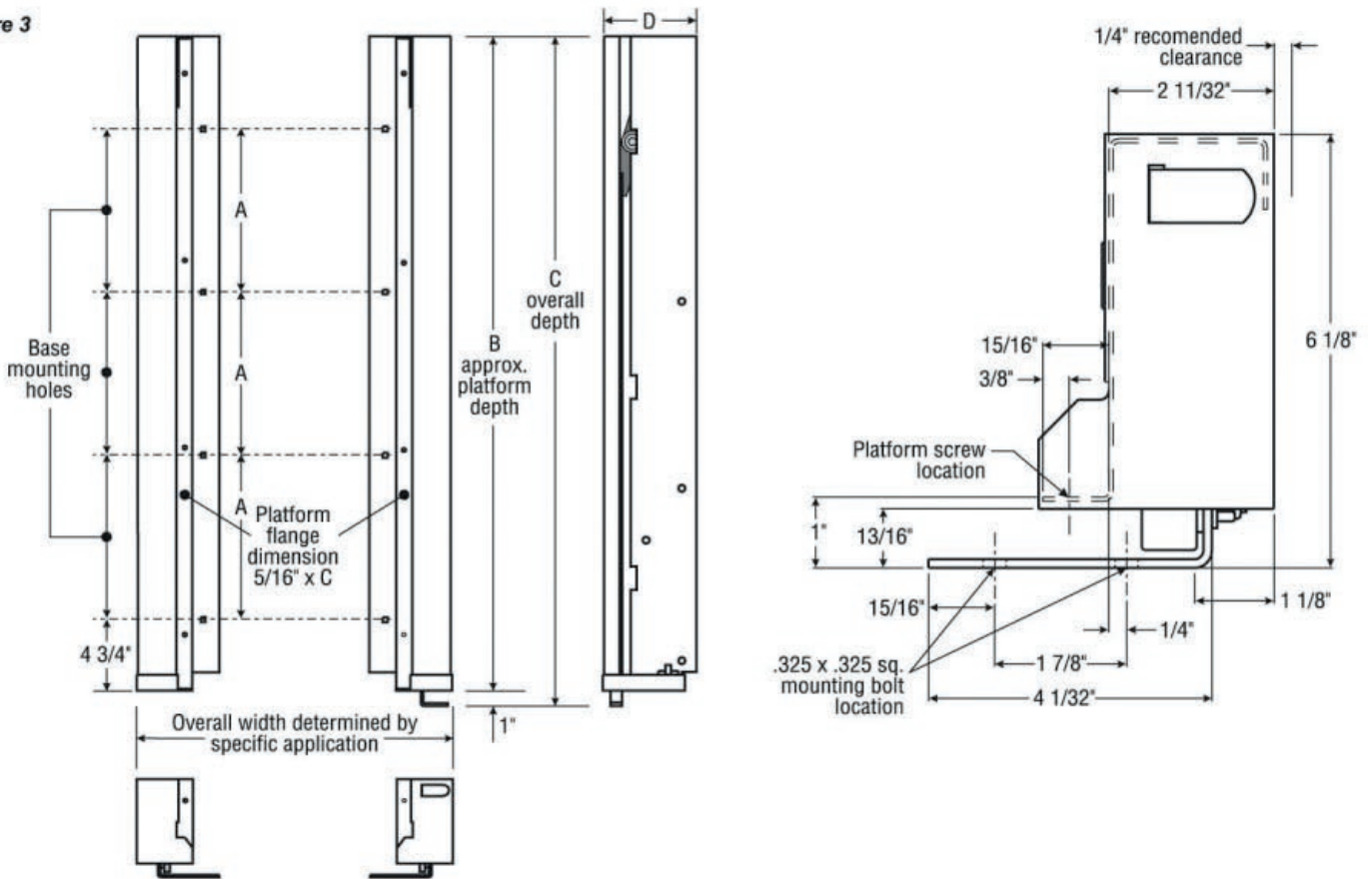


Figure 3



NOTE: Maximum weight capacity: 1,000 lbs. distributed evenly.

CAUTION: If operating the slide assembly when vehicle is not level, use caution.