

S i I K E N™ 2



The future of induction cooking.

Revolutionary smart touch control.

Energy efficient...yet powerful.

Stay in place silicone mat.

Welcome to SiIKEN™ 2!



KENYON®

Make any day a weekend



Kenyon International, Inc. building quality specialty cooking appliances since 1931.

S i l k e n™ 2

Smooth surface, round edged
ceramic glass

Two Burner Units

Model B81301 Portrait Mounting

120 V AC 50/60 Hz - 20 amp.
1 - 6 1/2" (165mm) @ 1300 watts
1 - 8" (200mm) @ 2300 watts
Maximum load 2300 watts combined

Model B81311 Portrait Mounting

240 V AC 50/60 Hz - 15 amp.
1 - 6 1/2" (165mm) @ 1300 watts
1 - 8" (200mm) @ 2300 watts
Maximum load 3360 watts combined

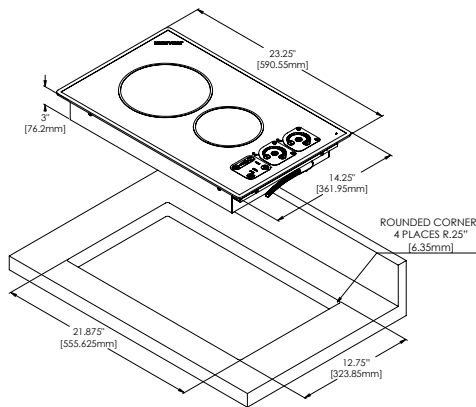
Model B81305 Landscape Mounting

120 V AC 50/60 Hz - 20 amp.
1 - 6 1/2" (165mm) @ 1300 watts
1 - 8" (200mm) @ 2300 watts
Maximum load 2300 watts combined

Model B81315 Landscape Mounting

240 V AC 50/60 Hz - 15 amp.
1 - 6 1/2" (165mm) @ 1300 watts
1 - 8" (200mm) @ 2300 watts
Maximum load 3360 watts combined

Overall Dimensions: 23 1/4" x 14 1/4" x 3"
590.6mm x 362mm x 76.2mm
Cutout Dimensions: 21 7/8" x 12 3/4" with 1/4" radius
555.8mm x 323.9mm with 6.4mm radius



Two Burner Trimline Units

Model B81321 Portrait Mounting

120 V AC 50/60 Hz - 20 amp.
2 - 6 1/2" (165mm) @ 1300 watts
Maximum load 1800 watts combined

Model B81331 Portrait Mounting

240 V AC 50/60 Hz - 10 amp.
2 - 6 1/2" (165mm) @ 1300 watts
Maximum load 1800 watts combined

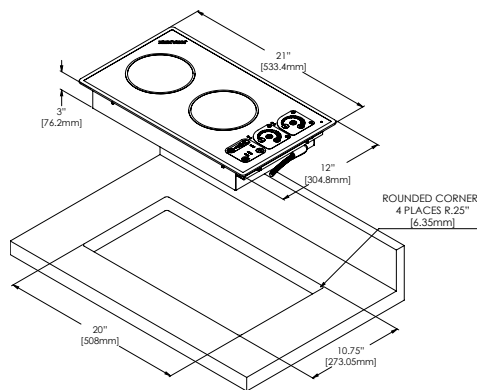
Model B81325 Landscape Mounting

120 V AC 50/60 Hz - 20 amp.
2 - 6 1/2" (165mm) @ 1300 watts
Maximum load 1800 watts combined

Model B81335 Landscape Mounting

240 V AC 50/60 Hz - 10 amp.
2 - 6 1/2" (165mm) @ 1300 watts
Maximum load 1800 watts combined

Overall Dimensions: 21" x 12" x 3"
533.4mm x 304.8mm x 76.2mm
Cutout Dimensions: 20" x 10.75" with 1/4" radius
508mm x 273.05mm with 6.4mm radius



SilKEN™ 2 with Precision Control (PC) and Direct Temperature Feedback (DTF)

SilKEN™ 2 is a patent pending, high-energy, induction cooking system. This revolutionary cooktop offers cooking by temperature or power setting, quick heat dissipation, easy clean up, pot retention and user-friendly controls. The SilKEN™ 2 exceeds ABYC requirements for pot retention.

New Silicone Mat

The patented mat covers the entire cooktop and provides spill retention, pot retention, glass top protection, quick heat dissipation and easy clean up (just throw the SilKEN™ mat in the dishwasher or sink). The patented integrated heat sensing disc (DTF) relays temperature feedback from the cooking vessel to the touch control system for accurate cooking.

New Intuitive Touch Control Technology

A full-featured touch control system integrates the latest swipe technology with user-friendly features such as Precision Control (PC) and Direct Temperature Feedback (DTF). Precision Control allows you to select the power setting (1 - 16) best suited for the food being cooked or the temperature you desire (150°F - 450°F). Direct Temperature Feedback (DTF) is our patent pending system giving you the ability to cook by temperature and time. Simply adjust the control to the desired temperature setting, set the timer and your dish is cooked to the correct temperature and time.

More Touch Control Features

The SilKEN™ 2 incorporates two independent kitchen timers allowing you to time other activities in the kitchen or to time-cook with one and time an activity with the other. There is a control-lock feature, which allows you to lock the cooktop preventing small children from activating the cooktop. You can also switch from °F to °C with a simple touch of a button. The control also features a very unique "Load Sharing" feature that reduces the power of one cooking zone when the second cooking zone is being asked to produce full power. This limits the total power consumed by the SilKEN™ 2 to a power manageable 20 amps at 120V.

Once you experience the SilKEN™ 2 you will know why no other cooktop compares!

KENYON®

Kenyon International, Inc.
P.O. Box 925, Clinton, CT 06413
Tel: 860.664.4906
Fax: 860.664.4907
www.CookWithKenyon.com



Only the Two Burner Trimline Units
are UL approved.*



Tested to UL-1026

KENYON Logo, Lite-Touch Q, All Seasons, SilKEN, KENYON PUPS, City Grill and all related materials are trademarks of Kenyon International, Inc. ©2016 Kenyon International, Inc. All Rights Reserved. Specifications subject to change without notice. Printed in U.S.A. 5-2016.