

Lite-Touch™Q



Bringing the past

into the future...

Integrating the visual effect
of knob control with the
ease of touch.

Lite-Touch™Q by

Kenyon blends
design and function into
a style that enhances
any kitchen.



KENYON®

Make any day a weekend



Kenyon International, Inc. building quality
specialty cooking appliances since 1931.

Lite-Touch™ Q

Subtly textured surface, beveled edged ceramic glass, may mount flush or proud

Two Burner Units

Model B41540 Portrait Mounting

120 V AC 50/60 Hz - 22 amp.
1 - 6 1/2" (165mm) @ 1200 watts
1 - 8" (200mm) @ 1400 watts

Model B41549 Portrait Mounting

208 V AC 50/60 Hz - 14.5 amp.
1 - 6 1/2" (165mm) @ 1200 watts
1 - 8" (200mm) @ 1800 watts

Model B41541 Portrait Mounting

240 V AC 50/60 Hz - 13 amp.
1 - 6 1/2" (165mm) @ 1200 watts
1 - 8" (200mm) @ 1800 watts

Model B41540L Landscape Mounting

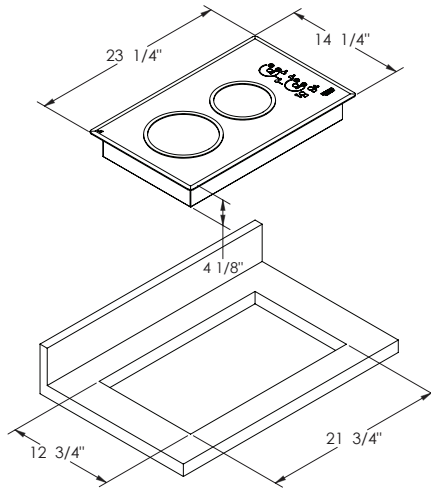
120 V AC 50/60 Hz - 22 amp.
1 - 6 1/2" (165mm) @ 1200 watts
1 - 8" (200mm) @ 1400 watts

Model B41549L Landscape Mounting

208 V AC 50/60 Hz - 14.5 amp.
1 - 6 1/2" (165mm) @ 1200 watts
1 - 8" (200mm) @ 1800 watts

Model B41541L Landscape Mounting

240 V AC 50/60 Hz - 13 amp.
1 - 6 1/2" (165mm) @ 1200 watts
1 - 8" (200mm) @ 1800 watts



Overall Dimensions: 23 1/4" x 14 1/4" x 4 1/8"
590.6mm x 362mm x 104.8mm
Cutout Dimensions: 21 3/4" x 12 3/4" with 1/4" radius
552.5mm x 323.9mm with 6.4mm radius

Two Burner Trimline Units

Model B41575 Portrait Mounting

120 V AC 50/60 Hz - 20 amp.
2 - 6 1/2" (165mm) @ 1200 watts

Model B41579 Portrait Mounting

208 V AC 50/60 Hz - 11.5 amp.
2 - 6 1/2" (165mm) @ 1200 watts

Model B41576 Portrait Mounting

240 V AC 50/60 Hz - 10 amp.
2 - 6 1/2" (165mm) @ 1200 watts

Model B41575L Landscape Mounting

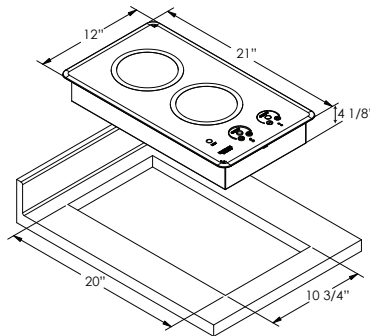
120 V AC 50/60 Hz - 20 amp.
2 - 6 1/2" (165mm) @ 1200 watts

Model B41579L Landscape Mounting

208 V AC 50/60 Hz - 11.5 amp.
2 - 6 1/2" (165mm) @ 1200 watts

Model B41576L Landscape Mounting

240 V AC 50/60 Hz - 10 amp.
2 - 6 1/2" (165mm) @ 1200 watts



Overall Dimensions: 21" x 12" x 4 1/8"
533.4mm x 304.8mm x 104.8mm
Cutout Dimensions: 20" x 10 3/4" with 1/4" radius
508mm x 273mm with 6.4mm radius

**Simply elegant
in design...**

**Safety is always
the first criteria
with Kenyon**

The new touch control system from Kenyon integrates the visual effect of knob control with the ease of touch control. Subtly textured black glass, beveled edge design, durable, and easy to clean with safety features uniquely Kenyon. Safety features include auto shut-off, heat limiting cooking surface protectors, an On indicator light for each burner, and a Hot burner indicator light. Available in 120, 208 or 240 Volts.

Simply touch the ON/OFF circle and then raise or lower the heat setting by pressing the + or - graphic on the ceramic glass and start cooking

Elegant in design, the graphics pattern will enhance any kitchen decor. The ceramic glass slopes down to the counter with a mirror finish polished edge, framing the cooktop as it blends into the counter.

And as all Kenyon products, backed by uncompromising quality, exclusive 3-year product replacement warranty, and the best customer service in the industry.

KENYON®

Kenyon International, Inc.
P.O. Box 925, Clinton, CT 06413

Tel: 860.664.4906

Fax: 860.664.4907

www.CookWithKenyon.com



KENYON Logo, Lite-Touch, All Seasons, SilkEN, KENYON PUPS and all related materials are trademarks of Kenyon International, Inc. ©2012 Kenyon International, Inc. All Rights Reserved. Specifications subject to change without notice. Printed in U.S.A. 9-2012