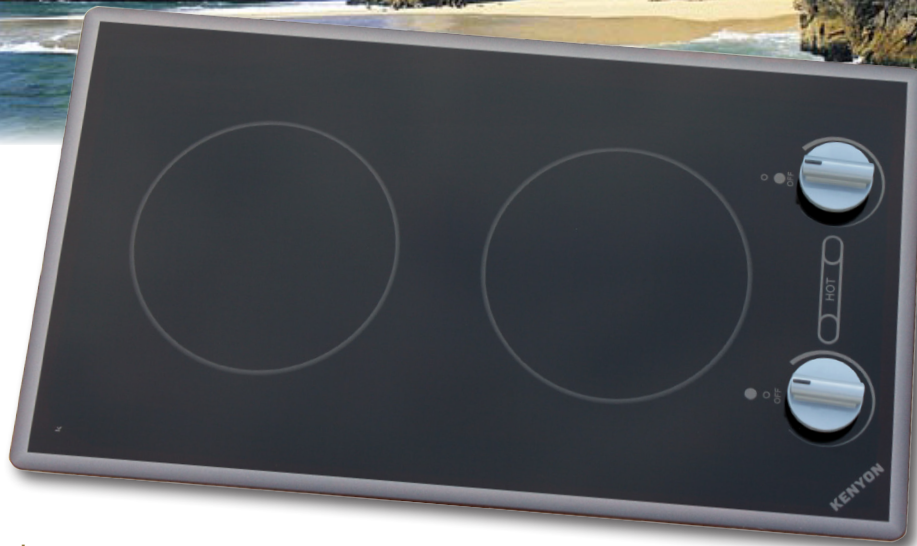


C o r t e z



The latest wave in cooktop design, the Cortez Series abounds with a sea of features. Clean stainless steel graphics compliment high end appliances and modernize any kitchen.



KENYON®

Make any day a weekend



Kenyon International, Inc. building quality specialty cooking appliances since 1931.

c o r t e z

Smooth surface, round edged ceramic glass

Two Burner Units

Model B41710

120 V AC 50/60 Hz - 20 amp.
2 - 6 1/2" (165mm) @ 1200 watts

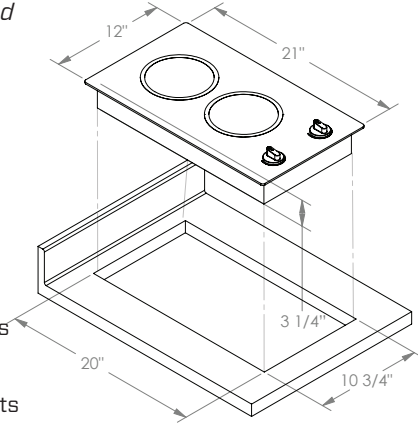
Model B41719

208 V AC 50/60 Hz - 12 amp.
2 - 6 1/2" (165mm) @ 1200 watts

Model B41711

240 V AC 50/60 Hz - 10 amp.
2 - 6 1/2" (165mm) @ 1200 watts

Overall Dimensions: 21" x 12" x 3 1/4"
533.4mm x 304.8mm x 82.6mm
Cutout Dimensions: 20" x 10 3/4" with 1/4" radius
508mm x 273mm with 6.4 radius



Single Burner Units

Model B41704

120 V AC 50/60 Hz - 10 amp.
1 - 6 1/2" (165mm) @ 1200 watts

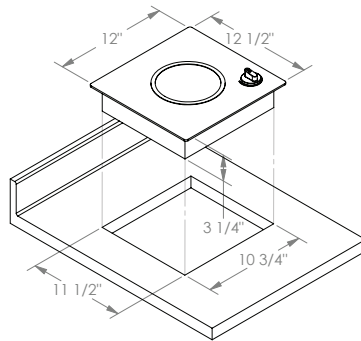
Model B41709

208 V AC 50/60 Hz - 6 amp.
1 - 6 1/2" (165mm) @ 1200 watts

Model B41705

240 V AC 50/60 Hz - 5 amp.
1 - 6 1/2" (165mm) @ 1200 watts

Overall Dimensions: 12 1/2" x 12" x 3 1/4"
317.5mm x 304.8mm x 82.6mm
Cutout Dimensions: 11 1/2" x 10 3/4" with 1/4" radius
292.1mm x 273mm with 6.4 radius



Modernize your kitchen without the costly expense of a complete renovation.

Steel colored graphics provide a sleek and polished look to the Cortez Series. The rounded edge design creates a beveled edged look. The new styled knobs provide an attractive look and feel. Smooth clear black glass, durable, and easy to clean, with safety features uniquely Kenyon. Both one and two burner models available in 120, 208, or 240 volts, with push-to-turn controls, infinite heat control and quick-to-heat radiant ribbon elements.

Safety features include heat limiting cooking surface protectors, an *On* indicator light for each burner, and a *Hot* burner indicator light.

And as all Kenyon products, backed by uncompromising quality, exclusive 3-year product replacement warranty, and the best customer service in the industry.

KENYON®

Kenyon International, Inc.
P.O. Box 925, Clinton, CT 06413
Tel: 860.664.4906
Fax: 860.664.4907
www.CookWithKenyon.com



Kenyon Logo, Lite-Touch, All Seasons, Silken, KENYON PUPS and all related materials are trademarks of Kenyon International, Inc. ©2012 Kenyon International, Inc. All Rights Reserved. Specifications subject to change without notice. UL is a registered trademark of Underwriters Laboratory Inc. Printed in U.S.A. 9-2012