



FEATURES

A. Control panel

- A1-Power indicator light
- A2-6V DC Power input jack
- A3-Audio input jack
- A4-Audio Output Jack
- A5-Power On/Off Button Switch and Volume Adjustment

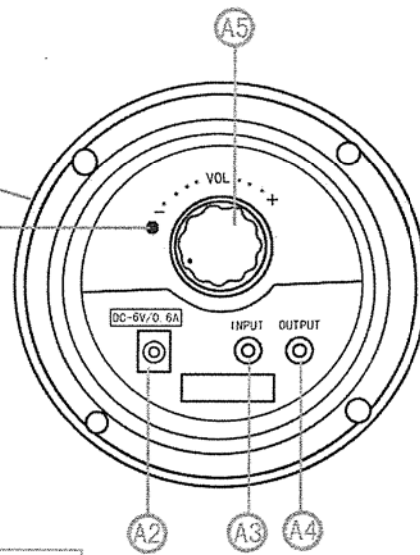
B. Accessories Supplied

- B1-1.5m RCA Stereo to 3.5mm stereo plug cable(1 PC)
- B2-INPUT:100-240V AC 50/60HZ
OUTPUT:6V DC 600mA Main POWER Adapter



A

A1

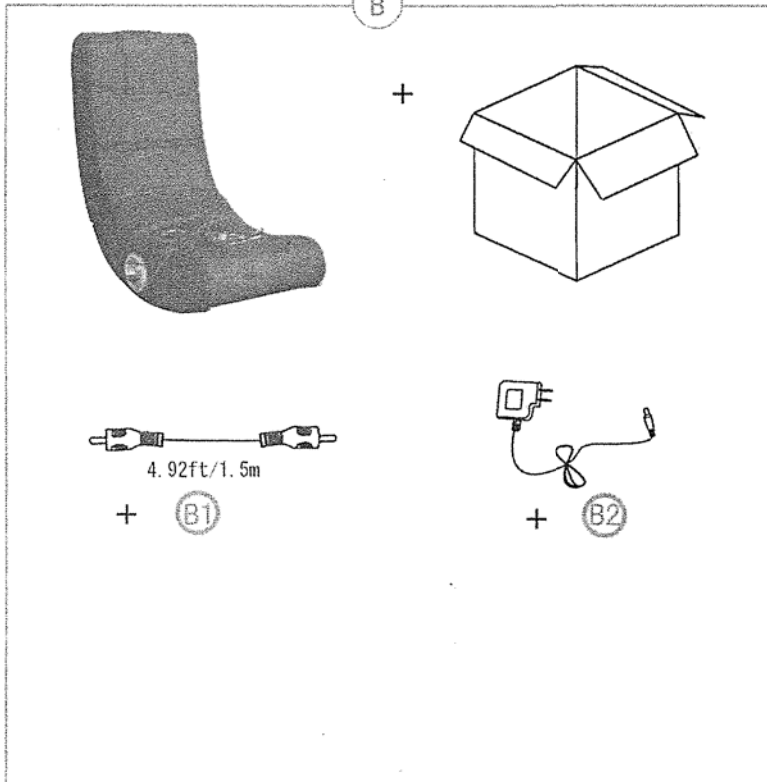


A2

A3

A4

B



+

4.92ft/1.5m

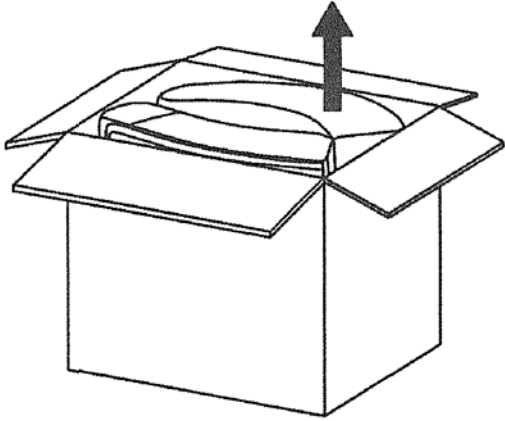
+

B1

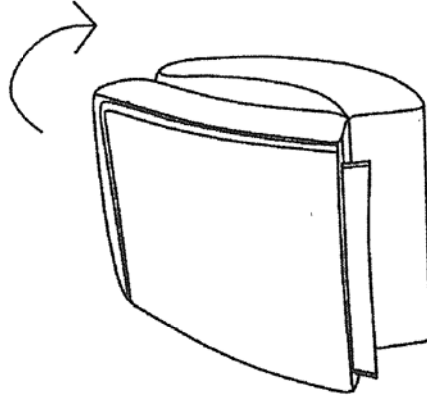
+

B2

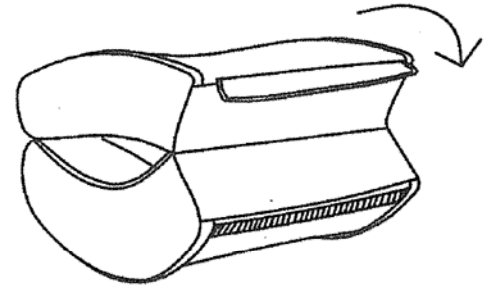
①



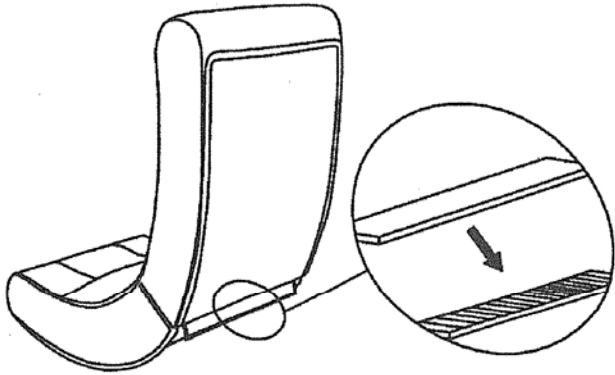
②



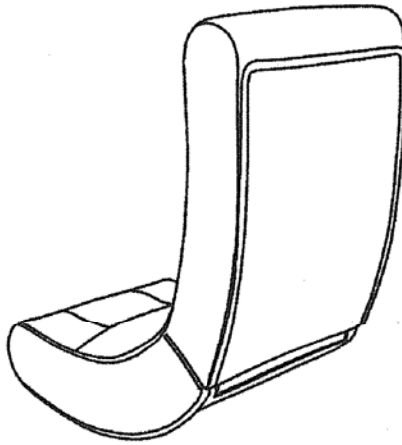
③



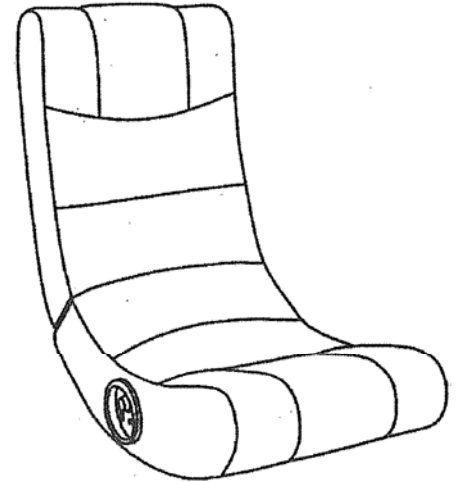
④



⑤



⑥



Set up and Adjustments

8. The gaming chair features a built-in Bluetooth® receiver. You can connect your Bluetooth® audio player with this speaker without wires or cords over a short distance of approximately 10 meters (approx. 33 feet). To communicate the speaker with your Bluetooth® devices, you will need to follow the steps below:
 - 1) Turn on audio unit; make sure nothing is connected to the input jack (A3). If the unit has been on for a while you may need to turn the power off then back on to place the Bluetooth into pairing/discovery mode.
 - 2) The Bluetooth indicator (A1) will be quick flashing, indicating it is in pairing mode. If the Bluetooth indicator light is on solid it indicates that it is paired and connected to Bluetooth device.
 - 3) Pair phone / device featuring Bluetooth® technology to LevelUp in Bluetooth settings:
 - a. Activate Bluetooth® on your device. Please check your mobile phone /audio device owner's manual for further details.
 - b. Search for new Bluetooth® device on the mobile phone /audio device. You should see Lucking under available devices.
 - c. Select Lucking to pair, no pass code is needed.
 - d. The Bluetooth indicator will turn solid when paired.
 - 4) If you want to switch back to a wired source simply plug into the 3.5mm input jack. Bluetooth will turn off and switch to the wired input.

Unable to hear any sound from the Slim Back Gaming Rocker Chair

1. Make sure that the power adapter is connected properly. If connected properly, the power indicator light on the control panel should light up. If the power indicator light does not light up, try a different power outlet.
2. Ensure the power unit is turned on and power indicator light on the control panel is lit. If not, turn the power switch on the control panel.
3. After completing steps 1. and 2. Please review the diagram illustrations in the instruction guide. Double check all audio connections. Check that the hand remote volume level is turned to an audible level as well as on both the TV and the chair.
4. After completing steps 1 – 3 and still do not hear sound, connect another audio source (CD player, television or game console) and repeat the steps once again. If it's still not working, please call our customer service department :