

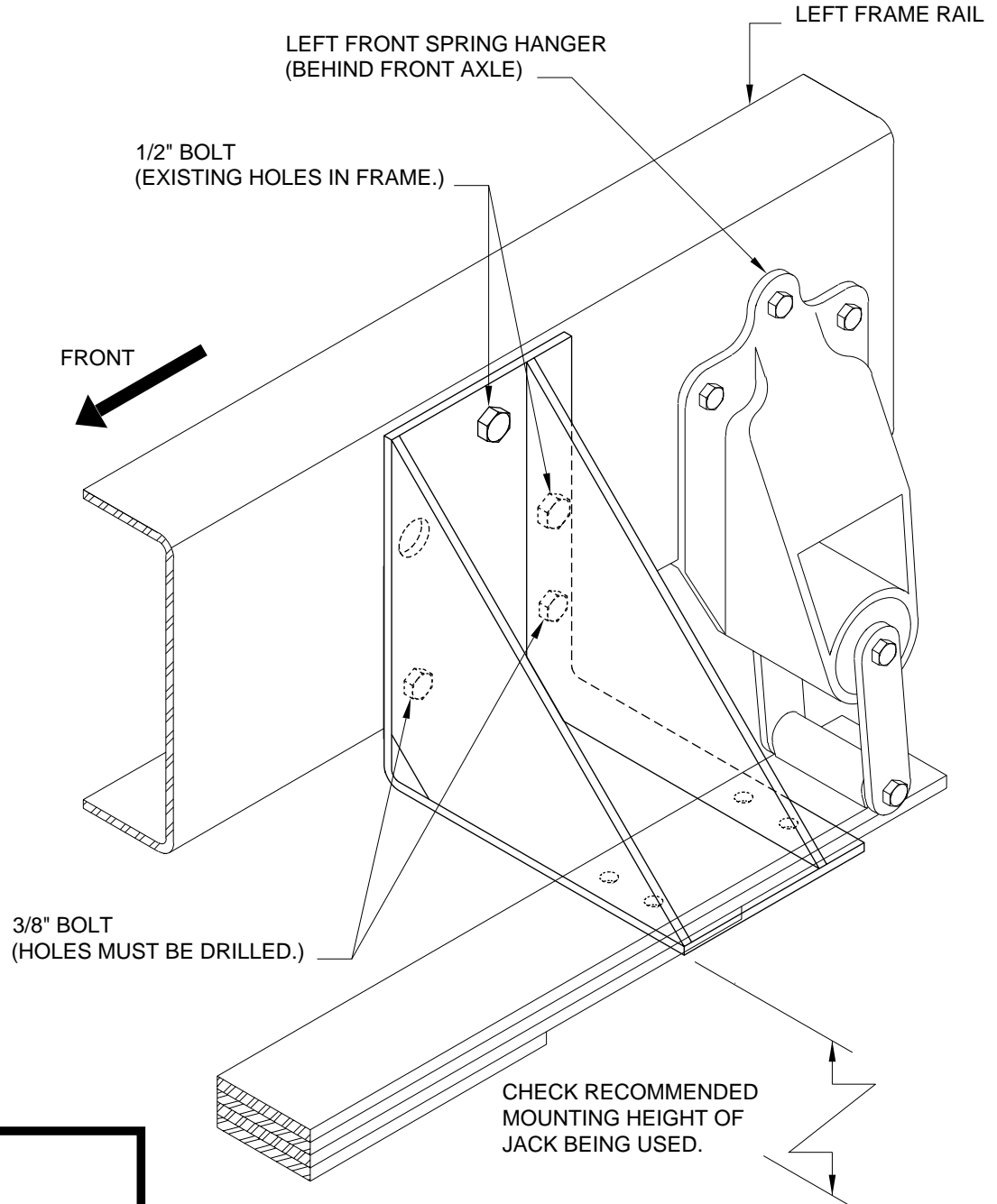
Mounting Bracket Kit: Kick-Down Jacks

Application: For mounting Kick-Down Jacks on the FRONT OF FORD F53 (Class A) chassis, 1997 and older with 16" TIRES. Front bracket behind axle.

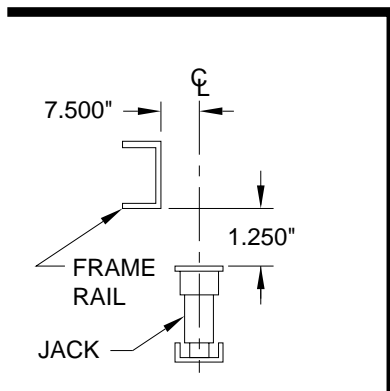
Mfr. #: AP7160 Bracket Kit Ford Front

Includes: 1 - AP7161 Bracket Right Front Ford Aft
1 - AP7162 Bracket Left Front Ford Aft
1 - AP7163 Hardware Kit

M.S.R.P.: See Item Price Listing



NOTE: TURN WHEELS FROM LOCK TO LOCK TO CHECK TIRE CLEARANCE.



CAUTION: Follow CAUTIONS in Operator's and Installation Manuals concerning working under vehicles.

MI25.1105
11JAN01

[View other trailer landing gear made by HWH on our website.](#)