

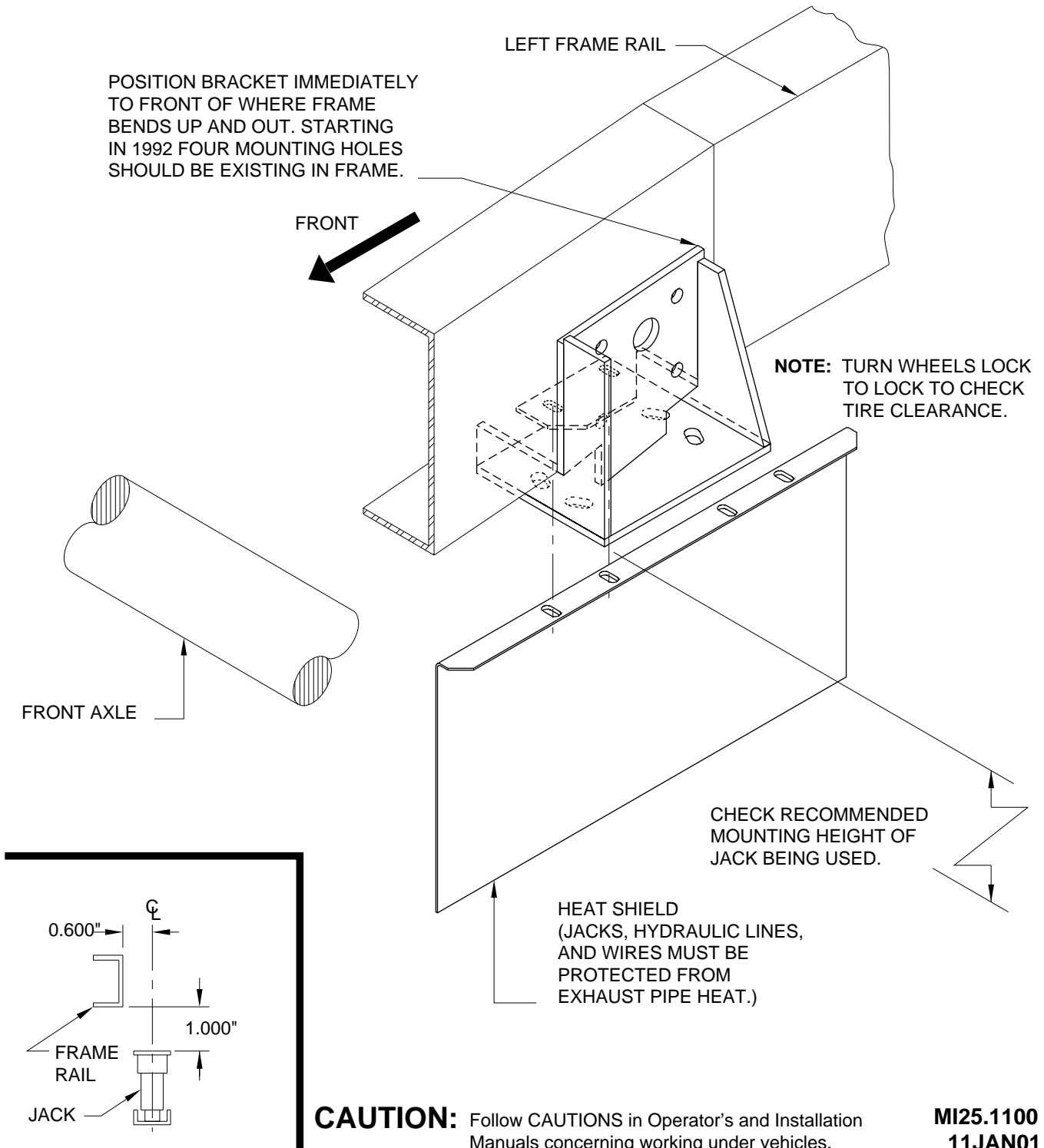
# Mounting Bracket Kit: Kick-Down Jacks

**Application:** For mounting Kick-Down Jacks on the FRONT OF CHEVY P30 chassis with a GVWR BETWEEN 12,300# and 16,500# and the FRONT OF WORKHORSE P chassis with a GVWR BETWEEN 12,300# and 18,000#. Front bracket.

**Mfr. #:** AP7107 Bracket Kit Chevy/Workhorse Front

**Includes:** 1 - AP6916 Bracket Chevy Right Front Aft Axle  
1 - AP6917 Bracket Chevy Left Front Aft Axle  
2 - P12156 Heat Guard  
1 - AP7108 Hardware Kit

**M.S.R.P.:** See Item Price Listing



[View other trailer landing gear made by HWH on our website.](#)