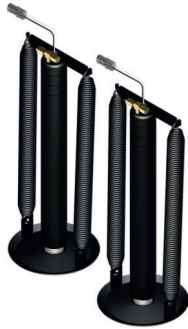




HWH[®] AP51530 Class A Leveling System

Ford F53/2004 and newer

19.5" & 22.5" Tires, 15,700 lbs., 18,000 lbs. or 20,500 lbs. GVWR
10th Digit In VIN must be a four or larger



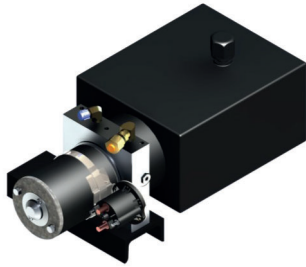
AP49760 Jack Kit

Two Straight-Acting (Power-Extend/Spring-Retract) Jacks
with a lifting capacity of 6,000 lbs. per jack



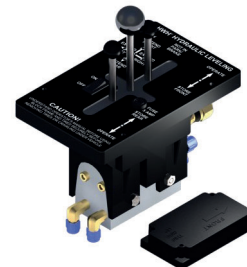
AP49761 Jack Kit

Two Straight-Acting (Power-Extend/Spring-Retract) Jacks
with a lifting capacity of 9,000 lbs. per jack



AP10471 Power Unit Kit

225 Series, Pump-Motor-Tank/12V DC
Mounting Channel & Hardware
Joystick controlled system



AP28825 Control Kit

225 Series, Joystick-Controlled Hydraulic Leveling System
with BI-AXIS[®] Control and Integrated Indicator
Light Panel & Levelze[®] Light Package

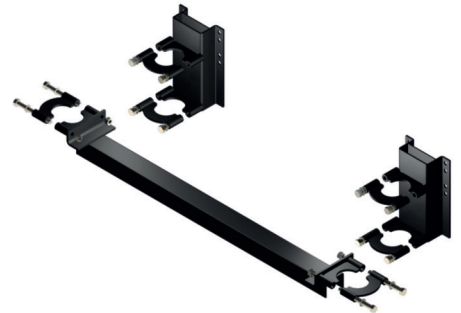


AP0240 Hose Kit



AP49762 Mounting Tie Kit

6,000 lb. 4F53F



AP49764 Mounting Tie Kit

9,000 lb. FD/WH



STRONG, RELIABLE, HYDRAULIC POWER

Learn more about trailer jacks, RV levelers and accessories we have.