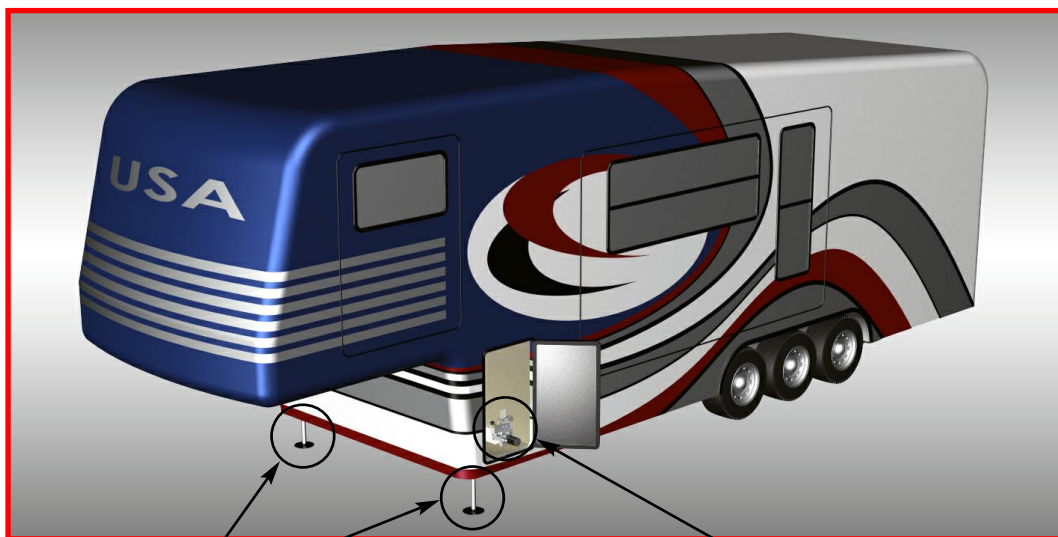


HWH[®] Straight-Acting (Power-Extend/Power-Retract) Jacks *Designed to replace mechanical landing gear*

AP43042 Landing Gear Package

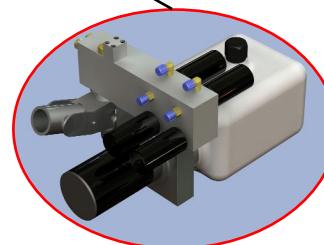
**Featuring Hand/Electric Pump with Remote Electrical Panel
&
Straight-Acting (Power-Extend/Power-Retract) Landing Gear**



**Straight-Acting
(Power-Extend/Power-Retract)
Jack, with a lifting capacity of
7,000 lb. each**



**Remote
Electrical Panel**



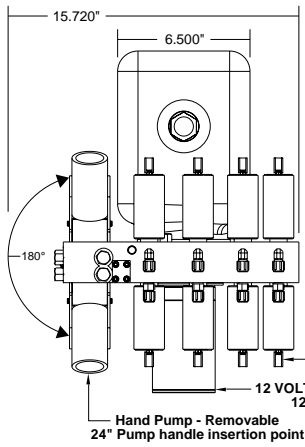
**Hand/Electric Pump
with
Electric Solenoids**



(On I-80, Exit 267 South) | 2096 Moscow Road | Moscow, Iowa 52760
Phone: (800)321-3494 or (563)724-3396 | Fax: (563)724-3408 | Web: www.HWH.com
Made in the USA

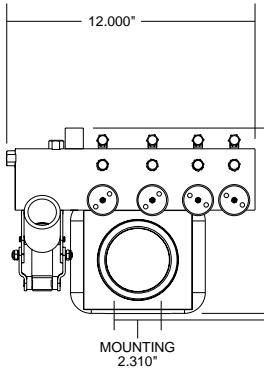
STRONG, RELIABLE, HYDRAULIC POWER

Specifications & Features
The HWH®: Power Unit with Solenoids and Manual Back-up



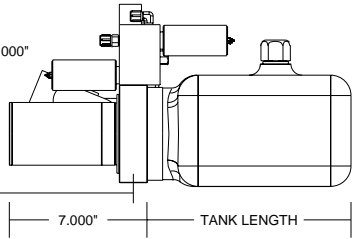
Up to four pairs of solenoid valves will operate up to four one way jacks, four two way jacks or four room extensions or a combination there of.

Each solenoid valve is equipped with a manual release to be used during hand pump operations.



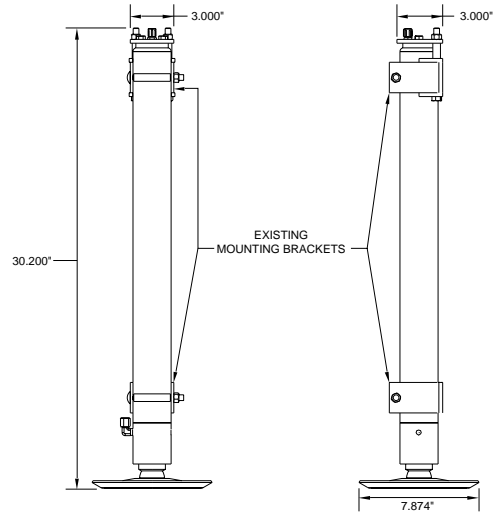
Specifications...
WEIGHT (lbs.)
 Each Assembly 32

TANK LENGTH - OIL DELIVERY (Cubic inches)	
10.0" Tank	165 cu in
13.5" Tank	250 cu in
19.0" Tank	360 cu in



ML42337B.DWG - 17JUN08

Specifications & Features
HWH®: Straight-Acting (Power-Extend/Power-Retract) Jack
7,000 lb. Lift Capacity each Jack with a 21" Stroke



Specifications...
WEIGHTS (lbs.)
 Each Jack Assembly 36

DIMENSIONS (in.)	
Jack Width	2.500
Retracted Jack Height	30.200
Jack Stroke	21.000

LOAD PER JACK (lbs.) 7,000

PRIMARY APPLICATIONS
 Towables

ML43043B
 ML43044B
 ML43045B
 ML43046B
 ML43047B

ML42935B.DWG - 12JUN12