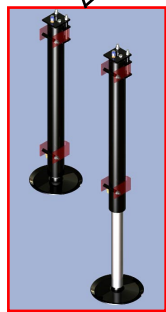
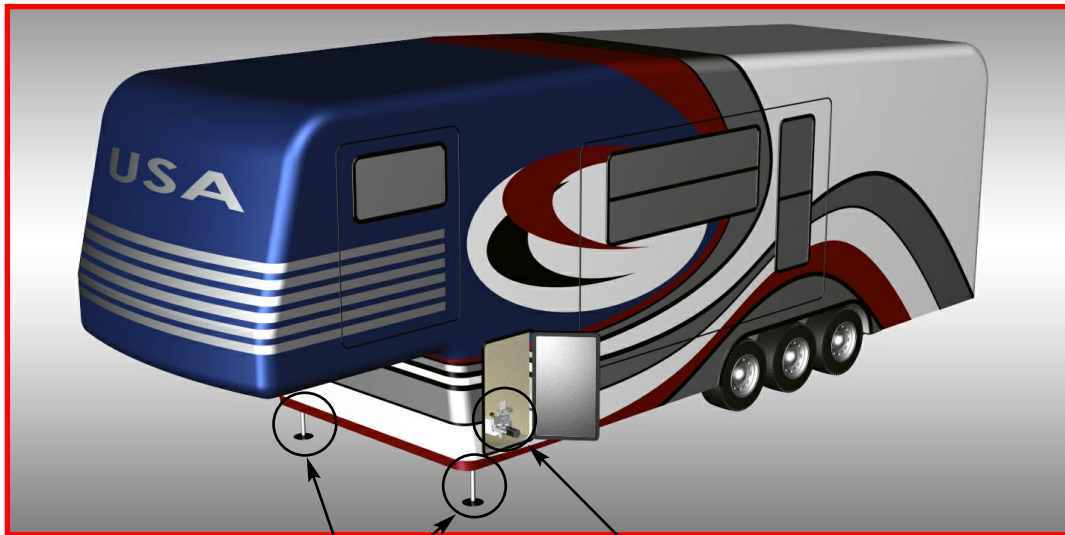


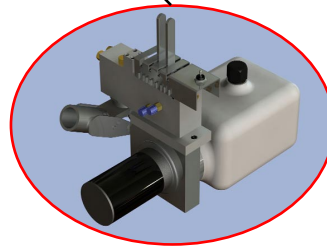
***HWH[®] Straight-Acting (Power-Extend/Power-Retract)
Hydraulic Landing Gear
Designed to replace mechanical landing gear***

AP43038 Landing Gear Package

**Featuring Hand/Electric Pump with Hydraulic Switches
&
Straight-Acting (Power-Extend/Power-Retract) Landing Gear**



**Straight-Acting
(Power-Extend/Power-Retract)
Hydraulic Landing Gear
with a lifting capacity of
7,000 lb. per jack**



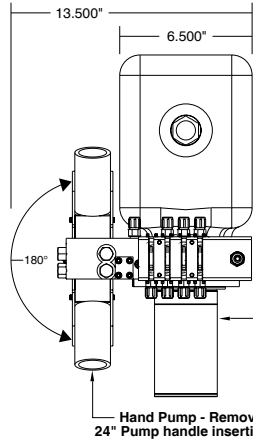
**Hand/Electric Pump
with
Hydraulic Switches**



STRONG, RELIABLE, HYDRAULIC POWER

Specifications & Features

The HWH®: Power Unit with Hydraulic Switch Control and Manual Back-up



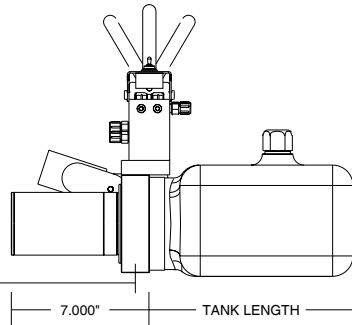
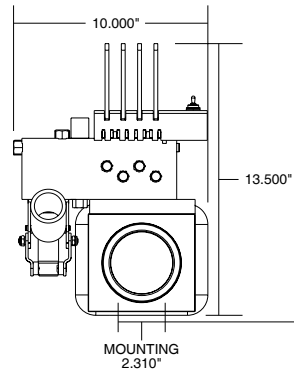
Up to four hydraulic switch controls will operate up to four one way jacks, four two way jacks or four room extensions or a combination there of.

Specifications...

WEIGHT (lbs.)	
Each Assembly	25

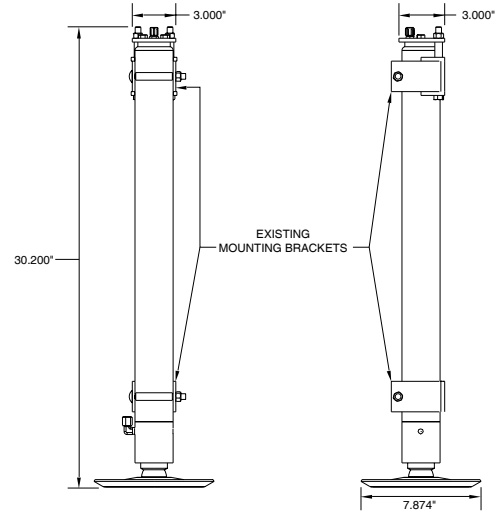
TANK LENGTH - OIL DELIVERY (Cubic inches)

10.0" Tank	165 cu in
13.5" Tank	250 cu in
19.0" Tank	360 cu in



Specifications & Features

HWH® Straight-Acting (Power-Extend/Power-Retract) Jack 7,000 lb. Lift Capacity each Jack with a 21" Stroke



Specifications...

WEIGHTS (lbs.)	
Each Jack Assembly	36

DIMENSIONS (in.)

Jack Width	2.500
Retracted Jack Height	30.200
Jack Stroke	21.000

LOAD PER JACK (lbs.)	7,000
-----------------------------	-------

PRIMARY APPLICATIONS

Towables	
----------	--

Learn more about trailer jacks, RV levelers and accessories we have.