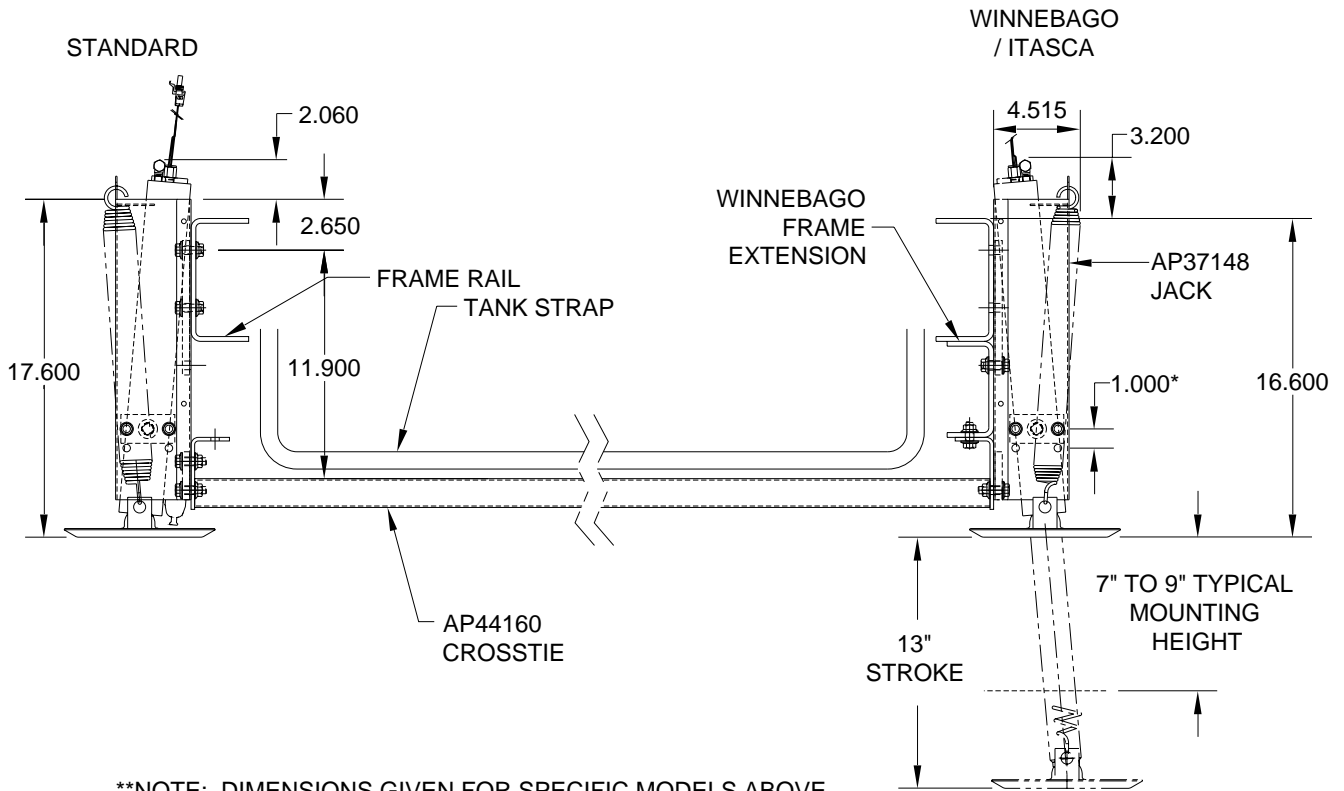


# 6000# Jack Kit: Straight-Acting Jacks

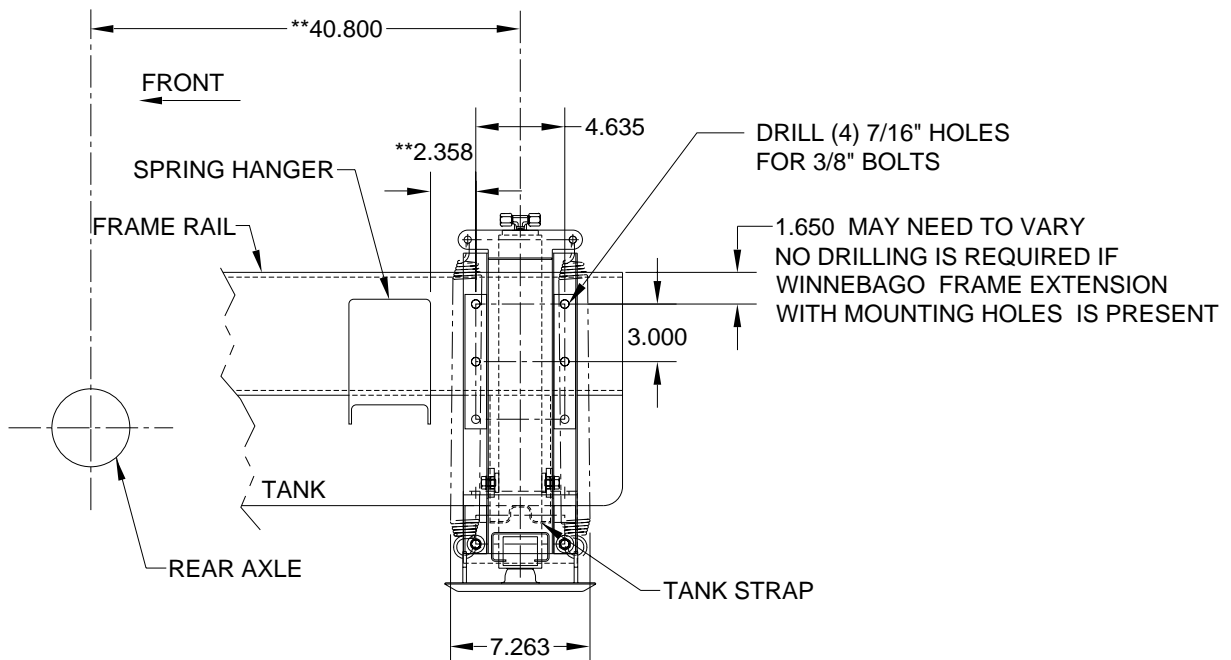
**Application:** For rear of Ford E350/E450 Chassis and Winnebago Aspect / Itasca Cambria.

**Mfr. #: AP36365 6000# Jack Kit**  
**Includes:** 2 - AP37148 6000# x 13" Stroke Jack  
 1 - AP37179 Hardware Kit

**Mfr. #: AP36366 Crosstie Kit**  
**Includes:** 1 - AP44160 Crosstie  
 1 - AP37179 Hardware Kit



**\*\*NOTE:** DIMENSIONS GIVEN FOR SPECIFIC MODELS ABOVE.  
 FOR OTHER COACHES, THE JACK MAY NEED TO BE JUST TO THE REAR  
 OF THE FUEL TANK. CHECK CROSSTIE CLEARANCE BEFORE MOUNTING.



**NOTE:** SEE MI15.99 FOR PRESSURE SWITCH MOUNTING INFORMATION.

**NOTE:** ALL DIMENSIONS ARE APPROXIMATE

**CAUTION:** Follow CAUTIONS in Operator's and Installation Manuals concerning working under vehicles.