

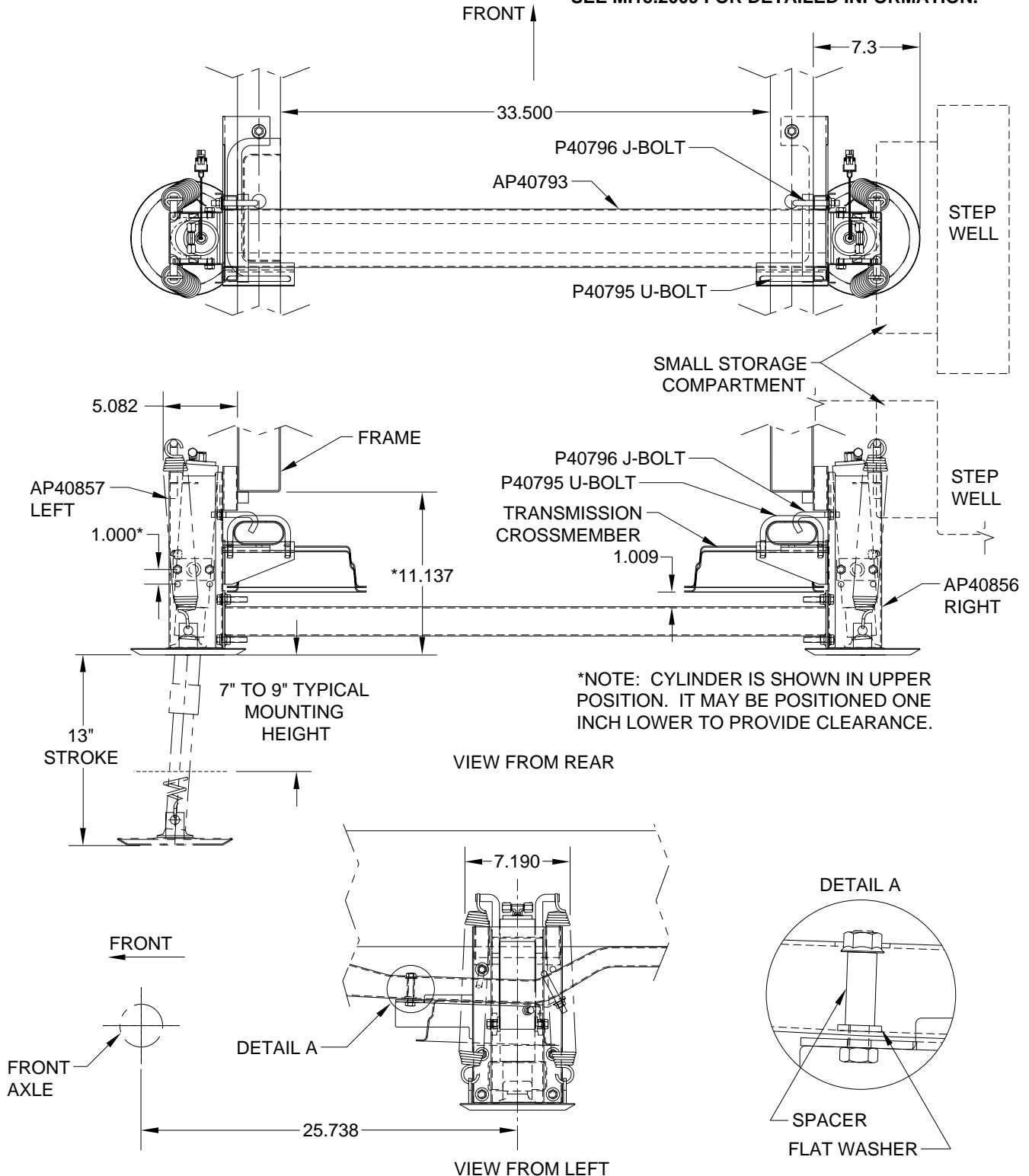
4000# Jack Kit: Straight-Acting Jacks

Application: For front of 2008 Dodge Sprinter 3500 Chassis with V6 engine.

Mfr. #: AP40816 4000# Jack Kit

Includes: 1 - AP40856 4000# x 13" Stroke Right Hand Jack 1 - AP40793 Crosstie
 1 - AP40857 4000# x 13" Stroke Left Hand Jack 1 - AP40799 Hardware Kit

NOTE: IF COACH HAS A STORAGE COMPARTMENT IN THE STEP WELL, IT MUST BE REMOVED. SEE MI15.2009 FOR DETAILED INFORMATION.



*NOTE: CYLINDER IS SHOWN IN UPPER POSITION. IT MAY BE POSITIONED ONE INCH LOWER TO PROVIDE CLEARANCE.

NOTE: ALL DIMENSIONS ARE APPROXIMATE

CAUTION: Follow CAUTIONS in Operator's and Installation Manuals concerning working under vehicles.

Looking for dependable trailer jacks, RV levelers and accessories? Rely on HWH for quality and long-lasting products.