



Mobile Evaporative Cooler

3100, 5300 CFM

Use & Care Guide

MC37, MC61, M150, M250



General Safety Precautions



Read and follow all instructions, cautions and warnings. Failure to do so could result in personal injury, death or property damage.

Unit must be in **OFF** position and **UNPLUGGED** from power receptacle before performing any maintenance / service or before **REMOVING** access panels.

Make sure the electrical power source conforms to the requirement of the evaporative cooler as well as local codes.

To reduce risk of fire or electrical shock, do not expose electrical connections to water.

Do not touch electrically live components.

Ensure all power cords do not touch sharp edges, hot surfaces or chemicals. Immediately replace damaged parts.

Never leave unit unattended.

Continuous fill not to be used indoors or unattended.

Operation Tips

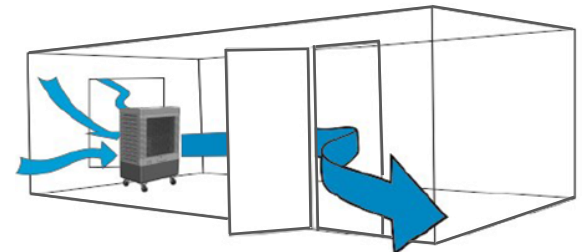
Hessaire coolers are highly recommended for outdoor use. If used indoors, position cooler in front of window or open door for fresh intake air. Ensure there is an open door or window through which the air can exhaust from the room.

Clean media pads and tank frequently.

When shutting down unit, run without pump for 30 minutes to properly dry media pads.

Prior to long term storage:
Drain tank and wipe clean
Dry and clean rigid media pads

Indoor Use:
Do Not Use Garden
Hose Attachment.



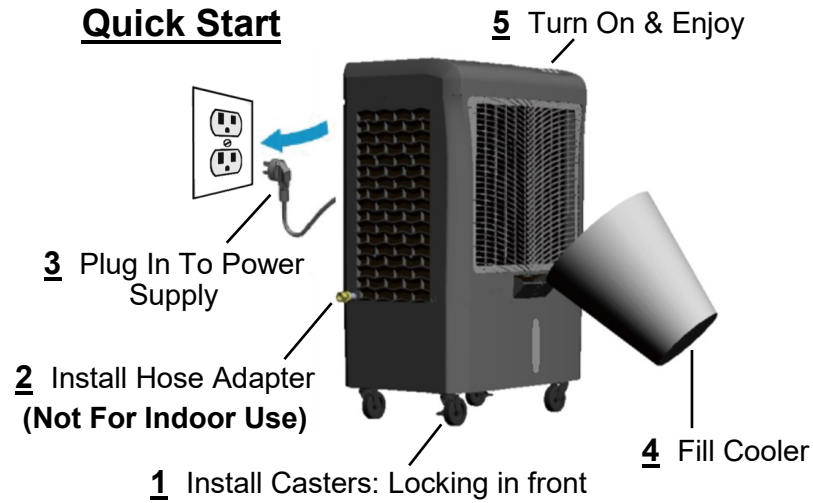
Inspection

After unpacking your cooler, carefully inspect for any damage that may have occurred during transit. Inspect for loose, missing or damaged parts. *Note: wheels & hardware are located in a compartment on the bottom side of the cooler. Refer to pics at the bottom of this page.*

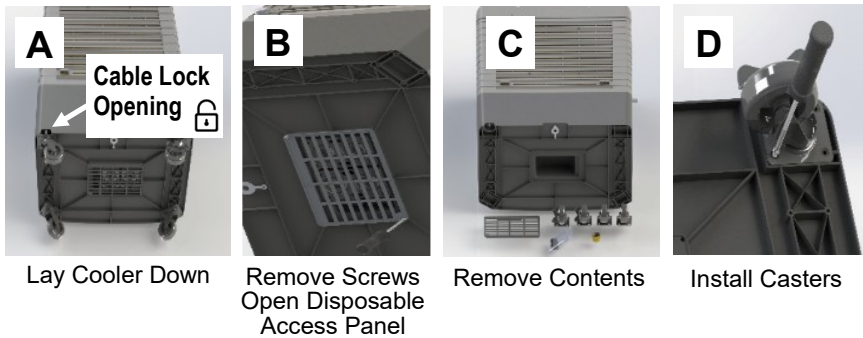
Contents: Evaporative Cooler (1), Hardware Bag/Hose Adapter (1), Caster Wheels (4).

Visit Hessaire.com to request replacement parts if any of these items are missing.

Quick Start



Note: Media pads may have a slight odor upon initial start up but will go away with continued use.



Features

Control Panel For M, V & M150/M250

Switch for Fan Speeds: 4 Positions (OFF, LOW, MED, HIGH)

Switch for Pump: ON/OFF

Switch for Swing (oscillation): ON/OFF



Control Panel For MC37A Model

Swing Button: Press to turn ON/OFF

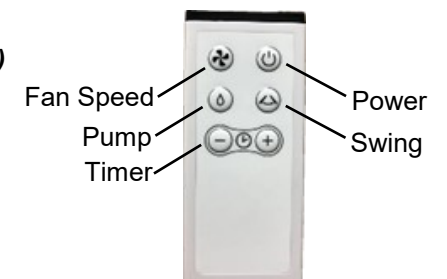
Timer Button: Lit when engaged. Press to select desired time. All features will stop when time expires.

Pump Button: Press for ON/OFF. Pump is ON when light is lit.

Power Button: Green light—all functions operable. Red light—all functions disabled.



Remote Control Functions:
(used in MC37A model only)



Maintenance

⚠ WARNING Disconnect from power source before attempting any maintenance or routine service. NEVER remove any access panels while cooler is in operation. Failure to do so could lead to **SERIOUS INJURY**.

Cleaning Cooler & Rigid Media Pads:

The removable panel(s) & pads can be gently sprayed off to remove build up. A soft bristle brush can also be used.

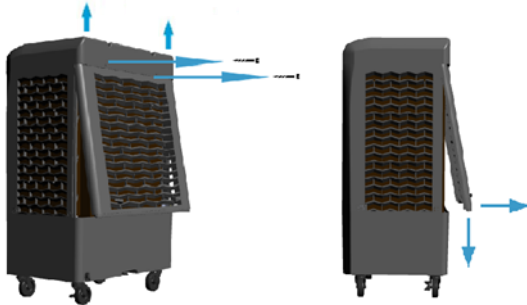
NEVER spray pads with water while cooler is in operation. Damage can occur to the motor and will void the warranty.

Note: Vinegar is recommended for cleaning of cooler and can be periodically cycled through during normal use.

Removal Of Back Panel:

Disconnect power supply. Remove the two phillips screws from the upper back side of cooler.

Push panel up and pull bottom out to remove.



Removal Of Rigid Media:

Once back is removed, the media pads will be accessible. *Note: some pads may be held in place with pins (media keepers) which will need to be removed to free up the pads.*

Storage:

Drain tank and wipe dry. Plug is located on bottom of cooler. Ensure pads are dry by running fan without pump for at least 30 minutes.

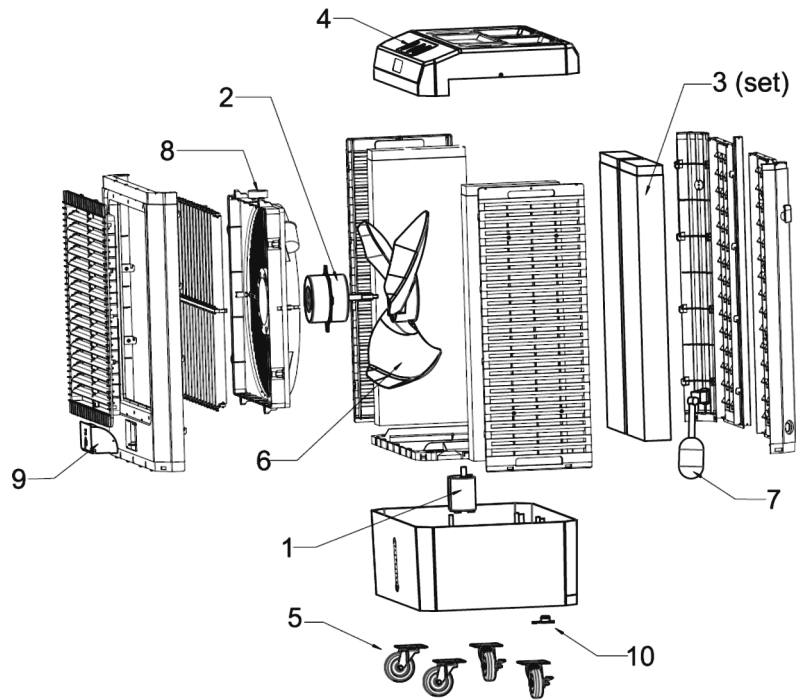
Visit Hessaire.com for additional maintenance tips and service videos.



Troubleshooting

Problem	Cause / Remedy
Cooler won't turn on	Ensure unit is plugged in and switched on. Receptacle breaker may need to be reset. If unit is equipped with a GFCI plug, reset. If unit has a timer, ensure it is off. May need new ON/OFF switch.
Fan will not operate	Ensure fan function is on. Make sure nothing is obstructing fan blade. Fan motor may need to be replaced. Fan switch may need to be replaced. Slow running - may need capacitor replaced.
Cooler does not pump	Ensure pump switch is turned on. Make sure water level is not low. Add water. Make sure hoses are connected and free of debris. Pump may need to be replaced. Pump switch may need to be replaced.
Swing does not work	Ensure swing switch is turned on. Make sure the linkage is connected. Oscillation switch may need to be replaced. Oscillation motor may need to be replaced.
Water leakage	Make sure drain plug is securely in place. Make sure cooler is level. Inspect tank for cracks. Check media pads for water running on outside of unit. Change pads if necessary. Check for leaks in water distribution hose connections. Check spreaders for build up causing spill over of water into the airstream.
Water level high or low	Adjust nut on float valve. Float valve may need to be replaced.

Cooler Parts



#	Parts	MC37/M150	MC61/M250
1	Pump for M, V, & M150/M250	6036050	6060050
	Pump for A model	6026050	
2	Motor for M, V, & M150/M250	6375100	6615100
	Motor for A model	6375101	
3	Rigid Media Set	CP370	CP610
4	Control for M model	6061069	6061069
	Control for V, M150, M250	6038069	6038069
	Control for A model	6037069B	
5	Caster Set (4 pcs)	6366100	6606100
6	Fan Blade	6037052	6061052
7	Float Valve Kit (float valve, hose adapter)	6018058	6018058
8	Oscillator Motor, M & V models	6375700	6375700
	Oscillator Motor, A model	6057026	
9	Manual fill door	6037076	6061076
10	Drain plug	6017081	6017081