



Mobile Evaporative Cooler

Use & Care Guide

MC12 / M100

Safety

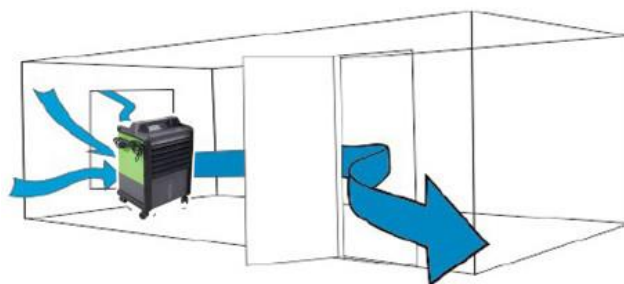
Safety Rules

1. Read and follow all instructions, cautions, and warnings. Failure to do so could result in personal injury, death or property damage.
2. Unit must be in the **OFF** position and **UNPLUGGED** from power receptacle before performing any maintenance.
3. Make sure the electrical power source conforms to the requirement of the evaporative cooler(s) as well as local codes.
4. To reduce the risk of fire or electrical shock, do not expose electrical connections to water.
5. Do not touch electrically live components.
6. Assure that all power cords do not meet any sharp edges, hot surfaces or chemicals. Immediately replace any damaged parts.
7. Never leave unit unattended.
8. Continuous fill not to be used indoors or unattended.

Key Operational Points

Your cooler must be positioned in front of an open window or door if it is to operate effectively. (see below picture)

1. Always ensure that there is another open window or door through which the air can exhaust from the room.
2. Ensure the rigid media is kept clean throughout the use of your cooler.
3. At the end of each day run your cooler on FAN ONLY for 30 minutes to dry out the rigid media.
4. Prior to putting your cooler away for winter, always:
 - a. Drain the tank and wipe clean.
 - b. Clean the rigid media.
 - c. Reassemble and run on FAN ONLY for 30 minutes to dry out the rigid media.

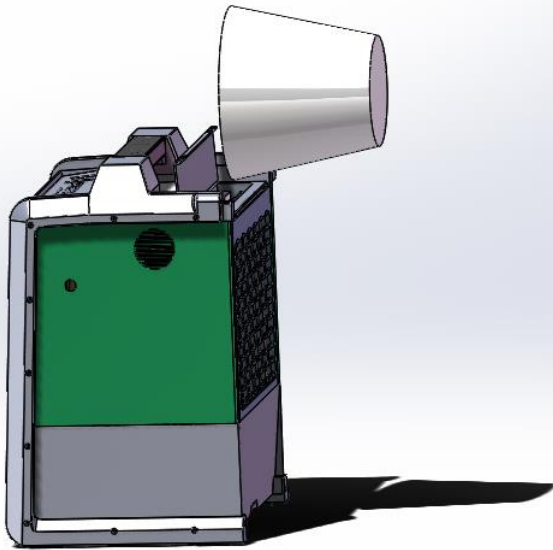


Indoor Use

CAUTION: BEFORE CLEANING OR SERVICING DISCONNECT POWER SUPPLY

Quick Start

1 Connect to power source.

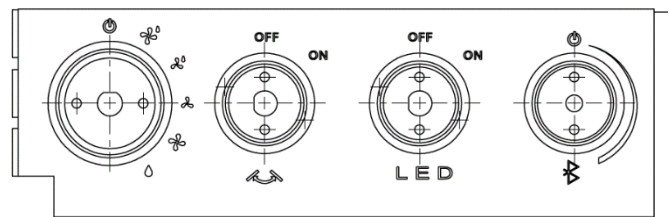


2 Fill the water tank.

3 Turn on cooler and enjoy cool air. For help using the control panel, please see right side of page.

4 Enjoy a cool drink with the built-in bottle opener.

MC12 / M100 – Models Control Panel



Be sure your float valve is adjusted at a forty-five-degree angle never straight downward insuring it does not hit media panel. This will assure no overflow.

Switch for Fan

Has 5 positions.

OFF

HIGH w/ pump

LOW w/pump

HIGH no pump

LOW no pump

Rocker Switch for Swing

Controls the fan Oscillation

Switch for LED

Controls the LED light

Switch for Bluetooth

Controls the Bluetooth speaker. Please turn the Bluetooth switch OFF and then ON to ensure that it is in pairing mode.

Bluetooth pairing instructions

Make sure your phone/Bluetooth device is in pairing mode. Toggle the Bluetooth switch on the Hessaire cooler OFF and ON. The name of the Bluetooth device is "Hessaire"

Cooler Maintenance



Use all precautions and disconnect from power source before performing any maintenance.

Cleaning Cooler and Rigid Media Pads

The removable panel and media pad can be sprayed out on the ground to clean pad. Use light pressure when spraying pads. You can use a soft bristle brush to gently wipe away deposits. **NEVER spray pads with water while cooler is operating, and fan is running. This can cause damage to motor and will void the warranty.**

Removal of the Back Panel (Disconnect power supply before this procedure.)

Removal and Replacement of Cooling Media

1. If your cooler includes media pins, remove by unscrewing/pulling out the disc.
2. Remove media pad. Replace with new pad.
3. Reinstall the back panel and you are ready to use the cooler again.

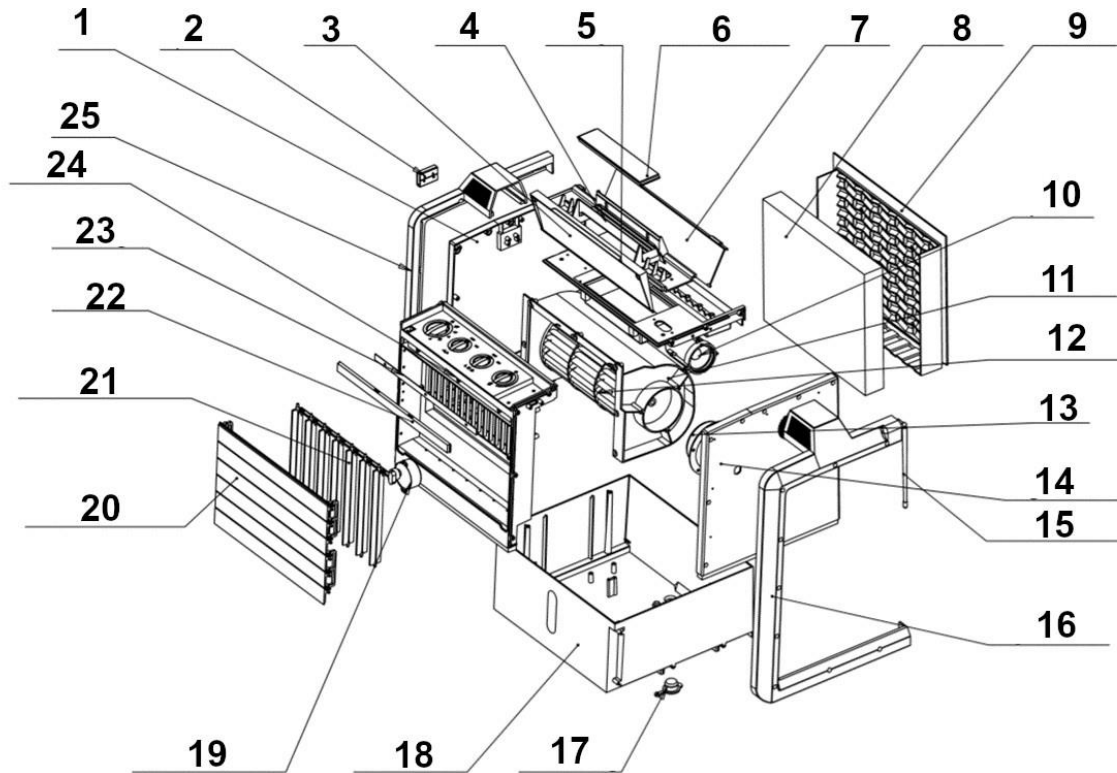
See right side of page for the location of screws and media pad.



Draining the Cooler Tank

1. Pull or unscrew drain plug/cap from drain assembly.
2. Tip unit to ensure all water exits the unit.
3. Replace drain plug

Cooler Parts



No	Part Name	Part Number	No	Part Name	Part Number
1	Left panel	6000614	14	Right Panel	6000615
2	Bottle Opener	4507013	15	Radio Antenna	---
3	Front Lid	6000213	16	Right Frame	6000509
4	Handle	6105001C	17	Drain Plug	6102024
5	Storage	6000214	18	Water Tank	6000909
6	Handle Cover	---	19	Oscillator Motor	---
7	Water Fill Lid	6102030		Oscillator Rib	6000333
8	Rigid Media	6101009		Rib Connector	6000334
9	Back lid	6000613	20	Front Louver	6000335
10	Speaker	4507014	21	Louver connector	6000336
11	Blower Scroll	6001305	22	LED Lens	6001019
12	Blower Wheel	6001304	23	LED Light	5004004
13	Motor	5001001C	24	Front Frame	6000212
	Synchronous Motor	5001003C	25	Left Frame	6000508

Trouble Shooting

Problem	Cause/Remedy
1. Cooler fails to work at all	<p>1.1 Check that the unit is plugged properly.</p> <p>1.2 Check the POWER switch, push it to "ON".</p> <p>1.3 The TIMER switch is "OFF", turn it to "ON".</p> <p>1.4 Make sure cooler is not plugged into a tripped GFIC outlet. If so, reset GFIC or move to non GFIC outlet.</p>
2. Cooler does not pump	<p>2.1 Pump is not activated. Push the PUMP switch to "ON".</p> <p>2.2 Water level is low. Fill with water and make sure pump is activated.</p> <p>2.3 Be sure the pump and pump hose are clear of debris.</p> <p>2.4 Pump may be defective. Replace pump. ***</p>
3a. Fan does not operate	<p>3.1 Check that unit is plugged in properly.</p> <p>3.2 Check the POWER switch, push it to "ON".</p> <p>3.3 If connected to a GFCI outlet, check if it is tripped.</p> <p>3.4 Troubleshoot rotary switch. ***</p>
3b. Fan runs slow at start up	<p>3b.1 Replace motor capacitor. ***</p>
4. Louver does not operate	<p>4.1 Louver does not move. Put swing switch position to "ON".</p> <p>4.2 Check Oscillator motor for proper placement and operation.</p>
5. Water leakage	<p>5.1 Check the cap of the drain assembly, make sure it tightened.</p> <p>5.2 Inspect tank for cracks or breakage.</p> <p>5.3 Make sure cooler is level.</p> <p>5.4 Check the media pads for buildup. The scaling may be disrupting the flow of water over the pad frame. Change media if needed.</p> <p>5.5 If water is coming out fan, check for leaks in water distribution hoses and/or leaks at hose connections to spreaders,</p> <p>5.6 Be sure there is at least 4 inches of space for rear panel free from wall or other obstruction. This could make the side panels release water to airstream due to increased air velocity through the sides.</p> <p>5.7 Spreaders may have scale buildup allowing water to pool and spill over into airstream---Clean spreaders.</p>
6. Float Valve	<p>6.1 If water levels are too high/low, adjust the wing nut on the valve.</p> <p>6.2 If there is a leak, check for cracks. Purchase new valve at www.hessaireparts.com</p>

Additional Info

This table contains additional parts that are not labeled in the drawing.

Part Name	No
Display Lens	6000111
Display Label	6000112
Water Hose	6102003
Water Sensor	5004009
Pump Fixator	6001110
Top cover	6000110
Water cover	6001109
Eccentric Wheel	6000331
Knob	6101006
Sensor bracket	6105003
Wheel	66103009
Controller	5004005
5-MULTI Switch	5005008
ON/OFF	5005005
Pump	5003008
Inner lead wires	5006008



HESSAIRE
COOL AIR ANYWHERE

COOL AIR ANYWHERE

Learn more about home shop on our website.