

Recessed Momentary Ground Switch

Product Data Sheet

44380

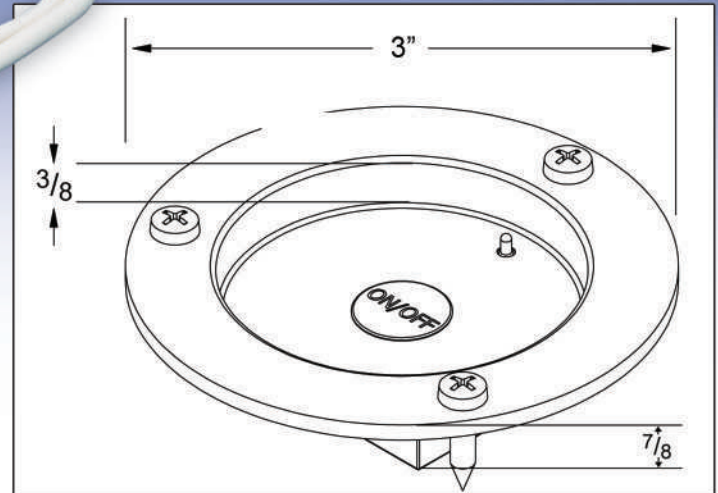
July 2007



- Simple switch to reset the timer function of standard "outside the trailer" switches
- Recessed into trailer wall to eliminate knockoffs and bumps
- Easy to integrate into the current system

Product Features and Benefits:

- Recessed switch easily integrates into the current interior lighting system with a simple two-wire hook-up
- Allows workers to reset the lighting switch from inside the trailer, eliminating poorly lit working conditions and inefficient trips to reset the lights at the front of the trailer
- Switch recess prevents damage from loads and allows for placement anywhere inside the length of the trailer for convenience
- Impervious to moisture and wash chemicals
- Works with Grote timers switches **44360** and **44240**



44380

Material: ABS

Finish: Gray

Voltage: 9-16 Volt range

Part Number	Market	Light Source	Operating Voltage	Current Draw	Interchange
44380 (44380-3 Bulk)	Reefers, Other Trailer Applications	NA	9-16V	100mA	N/A

Grote
The first name in
vehicle safety systems®

The Grote Interior Switching Solution

LED WhiteLight BRIGHTER LIGHT
BETTER PERFORMANCE
INNOVATION by GROTE INDUSTRIES, INC.

LET THE DRIVER COMPLETELY OPERATE THE SWITCHING SOLUTION FROM INSIDE THE TRAILER.

Eliminate poorly lit working conditions and inefficient trips to reset the light at the front of the trailer by providing workers the ability to reset the lighting from inside the trailer.



Product Features and Benefits:

- Allows for multiple simple ground sensing switches while maintaining the integrity of the interior lighting system
- Eliminates the need to tap into the air brake delivery system
- Automatic shut-down of circuit for no-fuss on/off worries
- Recessed switch prevents damage from loads by easily integrating anywhere into the current interior lighting system with a simple two-wire hook-up
- The instant-on nature of LED's means no warm up time and no problems with operating in the extreme temperatures of a reefer trailer.

Part Number	Light Source/Material	Voltage/Amp
44380 (44380-3 Bulk)	ABS	.2-30V/Minimal
44360 (44360-3 BULK)	ABS	9-16V/15 A Max
61261 LED Dome Lamp	10-LEDs	12V/1.75 A
61881 LED Dome Lamp	10-LEDs	12V/1.2 A
61611 High Output LED Dome Lamp	18 -LEDs	12V/2.16 A
61811 7" Round LED Dome Lamp	16 -LEDs	12V/1.9 A

Grote
The first name in
vehicle safety systems®

Learn more about RV electrical and lighting we have.