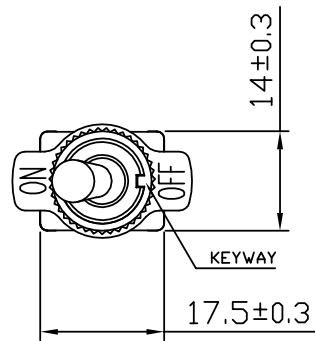


Rating	6A 120V,3A 240V AC	Mount Hole	Circuit Structure
Contact R	50m ohm Max.		
Insulation R	DC 500V 100M ohm Min.		
Dielectric Strength	AC 1500V 1 minute		
Circuit	2P SPST ON-OFF		



- 1 KNURL NUT ASSY
- 1 ON/OFF FACE PLATE ASSY
- 1 HEX NUT ASSY

