
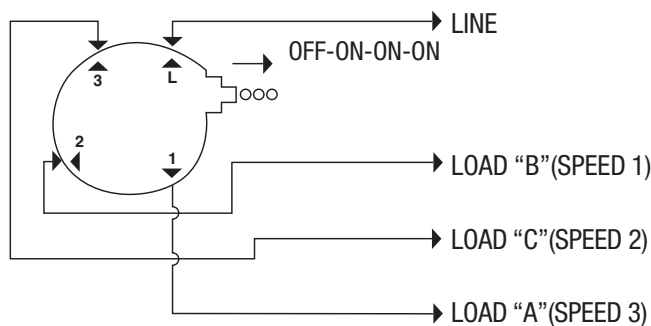
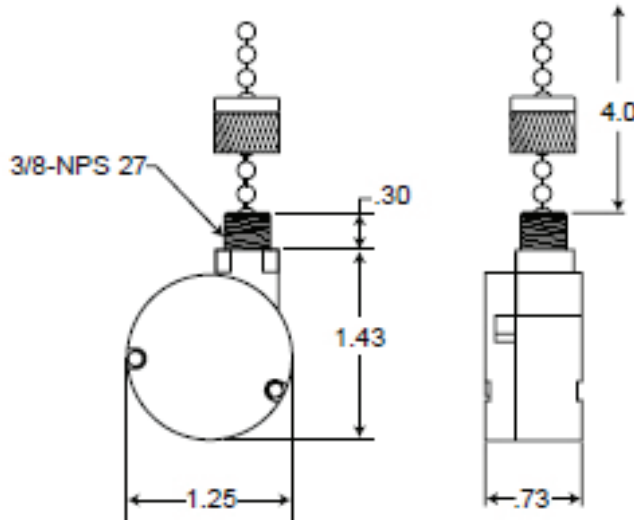


CAT NO.	LxWxH & NPS	Ratings	Certification
GSW-34	L: 1.72"	3A-250VAC 6A-125VAC	
	W: 1.23"		
	H: .730"		
	NPS: 1-1/8" Plastic		



NOTE: This is a push-in / stab-type style switch. In order to insert the wires into the switch, you must have 18 AWG solid wire. If you do not have solid wire, you must solder the 18 AWG stranded wire together. You must be careful not to push the flap down too hard while inserting the wire as too much force will ruin the switch.