

FM SERIES SPEAKERS



FLUSH MOUNT MARINE SPEAKERS

FM-F77RW / FM-F77RB / FM-F77SW / FM-F77SB - 200 WATT

FM-F65RW / FM-F65RB / FM-F65SW / FM-F65SB - 120 WATT

FM SERIES SPEAKERS

FLUSH MOUNT
MARINE SPEAKERS

FUSION[®]
A Garmin Brand

FM SERIES SPEAKERS



PRODUCT OVERVIEW

Introducing the new FM Series Flush Mount marine speakers, engineered to deliver high-quality acoustics to your vessel in a sleek and minimalistic form factor to meet the latest boat design trends. The FM Series are designed to be flush mounted with a mounting flange no thicker than 2.5mm, for a near flat finish. Available as a round or square speaker, they come in two sizes (7.7" 200 Watt and 6.5" 120 Watt - with one size to fit a 165mm [6-1/2"] cutout and the other to fit a 138mm [5-7/16"] cutout) and also two colors (white and black) to meet different customers' needs. Matching 10" 400 Watt FM Series subwoofers are also available to add another dimension to your onboard audio entertainment experience.

QUALITY AUDIO REPRODUCTION

Enjoy Fusion's trademark quality audio reproduction with the FM Series marine speakers. Combining optimized speaker drivers inherited from the XS Series speakers with aluminum dome tweeters to produce quality audio at all volume levels. Engineered with performance and quality in mind, even at high volume levels, the FM Series speakers are acoustically optimized to deliver a quality audio entertainment experience out on the water.

AESTHETICS TO MEET THE LATEST BOAT DESIGN TRENDS

Designed with a minimalistic, clean look, the FM Series speakers will fit nicely on a range of different modern boat designs. The low profile, near-flat installation allows for a visually appealing finish never before seen on a marine speaker. Available as a round or square speaker with two color options (white and black), the FM Series speakers will match the aesthetics on any vessel.

DESIGNED TO COMPLY WITH ISO12216

Allowing boat designers and manufacturers to be ISO12216 (D1.1 for Areas II, III & IV - European Requirement) compliant, the FM Series speakers have passed stringent strength and watertightness tests. This is critically important as it limits their liability in the event of an accident and they are installing a genuinely safe speaker system on customers' boats.

By complying with the requirements of ISO12216 (D1.1 for Areas II, III & IV), it recognizes that Fusion speakers are built to the highest industry standards in terms of quality and robustness. Our speakers are the world's first marine speakers designed specifically to meet the requirements of ISO12216 - this is a testament that Fusion is at the forefront of product engineering and design.

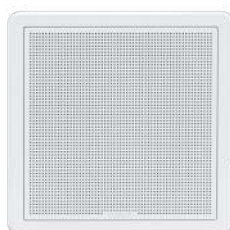
NEW INNOVATIVE MOUNTING SYSTEM

The FM Series speakers features a completely new mounting system for non-intrusive, easy installation. Simply place the speaker in the cutout (recommend to apply marine sealant to the flange for a watertight seal), tighten the screws and the speaker legs will tighten against the panel, keeping the speaker in place - without creating any screw holes to your vessel.

TRUE-MARINE™ PHILOSOPHY

Fusion's True-Marine design philosophy stems from our experience confronting the harsh marine environment. By designing and engineering from the ground up specifically for real world boating applications, our customers are assured that the equipment they fit into their vessel will deliver quality entertainment season after season - the FM Series speakers come with a 3 year warranty.

PRODUCT IMAGES



FM SERIES SPEAKERS

FLUSH MOUNT
MARINE SPEAKERS

FUSION[®]
A Garmin Brand

KEY FEATURES

The **FM Series Flush Mount marine speakers**, with its innovative technology and design, offers an acoustically optimized audio entertainment experience, featuring:

KEY FEATURE



The FM Series has a low profile, flush mount design with a near-flat installation (mounting flange no greater than 2.5mm) for a visually appealing finish.

KEY FEATURE



The FM Series have passed stringent strength and watertightness tests. This is critically important as it ensures the boat builders and consumers alike are installing a genuinely safe speaker system. By achieving ISO12216, it is a recognition of the FM Series superior design and build quality.



Fusion's True-Marine design philosophy stems from our experience confronting the harsh marine environment. By designing and engineering from the ground up specifically for real world boating applications, our customers are assured that the equipment they fit into their vessel will deliver quality entertainment season after season.

KEY FEATURE



The anodized aluminum dome tweeter creates a smoother upper frequency response delivering crisper, clearer highs.



Rated IP65 for water and dust ingress protection, while also meeting industry standards for UV and salt fog protection. Enjoy confidence that your FM Series will last season after season in the harsh marine and outdoor environment.



200 W peak power output (FM-F77RW / FM-F77RB / FM-F77SW / FM-F77SB)



120 W peak power output (FM-F65RW / FM-F65RB / FM-F65SW / FM-F65SB)



4 Ohm impedance



Optimized full range speaker drivers to deliver quality audio at all volume levels.

FM SERIES SUBWOOFERS



FM SERIES SUBWOOFERS

FM-S10RW | SKU 010-02301-00
FM-S10RB | SKU 010-02301-01
FM-S10SW | SKU 010-02301-10
FM-S10SB | SKU 010-02301-11

Matching 10 inch, 400 Watt FM Series marine subwoofers are also available to add another dimension to your onboard audio entertainment experience.

FM SERIES SPEAKERS

FLUSH MOUNT
MARINE SPEAKERS



PRODUCT COMPATIBILITY

STEREOS



APOLLO 770

MS-RA770 | SKU 010-01905-00

Through creative design and technological brilliance, a purpose-built marine audio entertainment system featuring many world-firsts has been created, including many innovations you are used to at home. Tap and swipe your way intuitively through your playlists with the glass touchscreen display, even with wet fingers, and enjoy high quality music all day long with Wi-Fi streaming using Apple AirPlay® or UPnP.



APOLLO 670

MS-RA670 | SKU 010-02138-00

Award-winning innovation re-embodied, the new Apollo RA670 features Fusion's DSP technology, PartyBus™* capability, over-the-air software updates*, Wi-Fi audio streaming*, Multi-Zone™ technology in up to 3 Zones, optical audio input, Fusion-Link™ integration, and an optically bonded 2.7" color display - the RA670 is truly a powerful extension of the Apollo Series.

(*) When connected to a wireless router or integrated into a Wi-Fi enabled Apollo Series stereo network.



APOLLO SRX400

MS-SRX400 | SKU 010-01983-00

For convenience without compromising on quality. The premium design, engineering and powerful feature set of the Apollo Series is combined in a compact, versatile form factor in the SRX400. Featuring DSP technology, PartyBus™ capabilities, over-the-air software updates, built-in Wi-Fi, and an optically bonded 2.7" color display.



755 SERIES

MS-UD755 | SKU 010-01359-00
MS-AV755 | SKU 010-01881-00

The 755 Series embodies the very definition of Fusion's True-Marine™ and customer-centric design philosophy. The 755 Series features full Fusion-Link™ integration, Multi-Zone™ technology in up to 4 Zones, built-in Class-D amplifier, and an optically bonded color display.



70 SERIES

MS-RA70 | SKU 010-01516-00
MS-RA70N | SKU 010-01516-11
MS-RA70NSX | SKU 010-01881-30

The 70 Series is Fusion's sleekest value-packed marine stereo in a DIN sized form factor. The 70 Series features Fusion-Link™ integration, Multi-Zone™ technology in up to 2 Zones, and SiriusXM-Ready (RA70NSX only).



BLACK BOX

MS-BB300R | SKU 010-01290-20
MS-BB100 | SKU 010-01517-01

When space is a premium at the helm, a compact audio entertainment solution is required. With Fusion Black Boxes, there is no need to compromise on performance or quality.

AMPLIFIERS



SIGNATURE SERIES

SG-DA12250 | SKU 010-01970-00
SG-DA41400 | SKU 010-01969-00
SG-DA51600 | SKU 010-01968-00
SG-DA61500 | SKU 010-02161-00
SG-DA82000 | SKU 010-02162-00

Fusion's most stunning, efficient and powerful marine amplifiers for the ultimate audio experience.

FM SERIES SPEAKERS

FLUSH MOUNT
MARINE SPEAKERS



TECHNICAL SPECIFICATIONS

		FM-F77RW / FM-F77RB FM-F77SW / FM-F77SB	FM-F65RW / FM-F65RB FM-F65SW / FM-F65SB
General	Speaker Size	7.7"	6.5"
	Peak Power (Watts)	200	120
	RMS Power Rating (Watts)	50	30
	Efficiency (1W/1M)	91dB	87dB
	Frequency Response	80Hz – 18kHz	100Hz – 18kHz
	Impedance	4 Ohms	4 Ohms
	Recommended Amplifier Power (RMS)	20 – 150 W/Ch	15 – 80 W/Ch
	Tweeter Type	Aluminum Dome	Aluminum Dome
	Cone and Surround Material	Polypropylene with cloth surround	Polypropylene with rubber surround
	Water Resistance (IP rating)	IP65	IP65
Installation	Mounting Diameter Clearance	Round: 165mm (6-1/2") Square: 165mm x 165mm (6-1/2" x 6-1/2")	Round: 138mm (5-7/16") Square: 138mm x 138mm (5-7/16" x 5-7/16")
	Mounting Depth Clearance	83mm (3-1/4")	70mm (2-3/4")
Support	Warranty	3 years	3 years

GIFT BOX DIMENSIONS

7.7" FM SERIES



(W) 421mm [16-9/16"]
(H) 214mm [8-7/16"]
(D) 120mm [4-3/4"]

6.5" FM SERIES



(W) 361mm [14-1/4"]
(H) 184mm [7-1/4"]
(D) 105mm [4-3/16"]

PRODUCT CODES

FUSION CODE	GARMIN PN	EAN-13 BARCODE
FM-F77RW	010-02300-00	0753759236762
FM-F77RB	010-02300-01	0753759236779
FM-F77SW	010-02300-10	0753759236786
FM-F77SB	010-02300-11	0753759236793
FM-F65RW	010-02299-00	0753759236724
FM-F65RB	010-02299-01	0753759236731
FM-F65SW	010-02299-10	0753759236748
FM-F65SB	010-02299-11	0753759236755

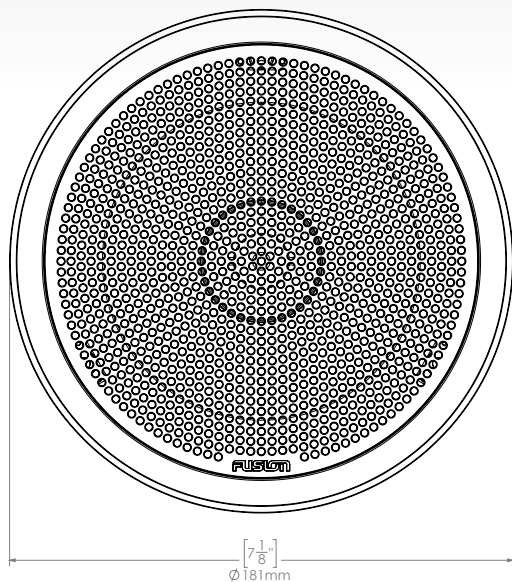
FM SERIES SPEAKERS

FLUSH MOUNT
MARINE SPEAKERS

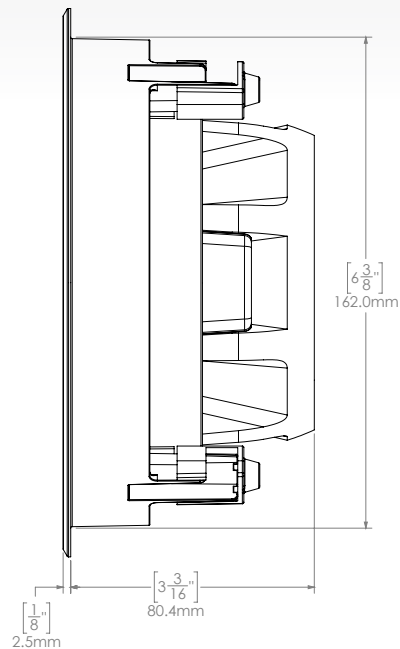


TECHNICAL DRAWINGS

FM-F77RW / FM-F77RB

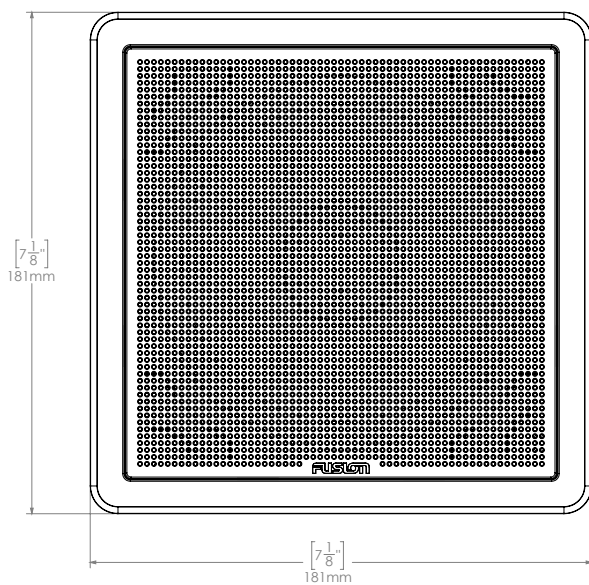


Front view

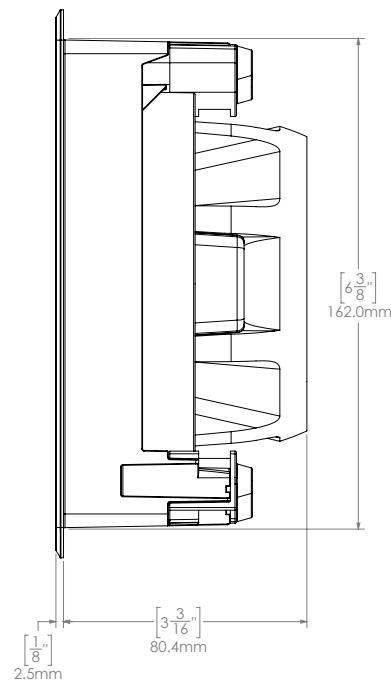


Side view

FM-F77SW / FM-F77SB



Front view



Side view

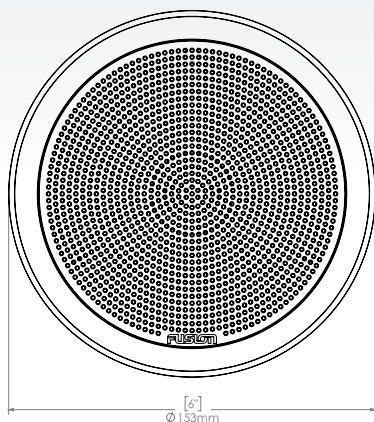
FM SERIES SPEAKERS

FLUSH MOUNT
MARINE SPEAKERS

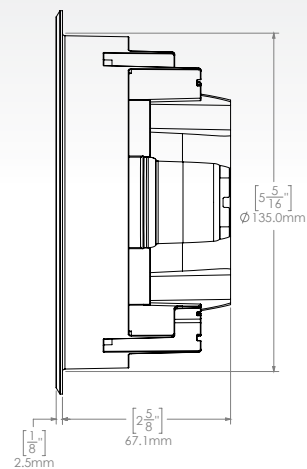


TECHNICAL DRAWINGS

FM-F65RW / FM-F65RB

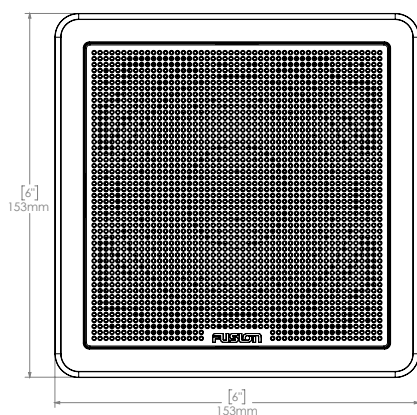


Front view

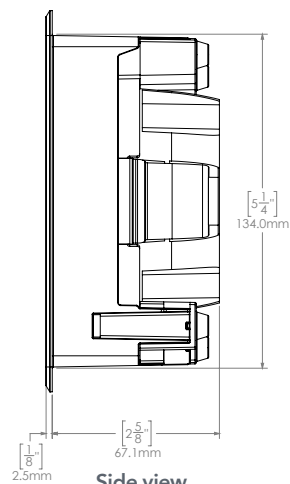


Side view

FM-F65SW / FM-F65SB



Front view



Side view