

Vehicle Observation System

4.3" Furrion Vision S™ Single Camera System



4.3" Monitor



Windshield Mount



Doorway Security / Rear Camera

Main Features

Monitor & Accessories



DIGITAL WIRELESS



ANTI-GLARE



REAR ASSIST MARKER LINES



SECURITY CAMERA AUTO-WAKE



AUDIO



WINDSHIELD MOUNT

Doorway Security / Rear Camera



CMOS 120° VIEW ANGLE



INFRARED NIGHT VISION



CAMERA RESOLUTION



INTELLIGENT IR CUT FILTER



MOTION DETECT

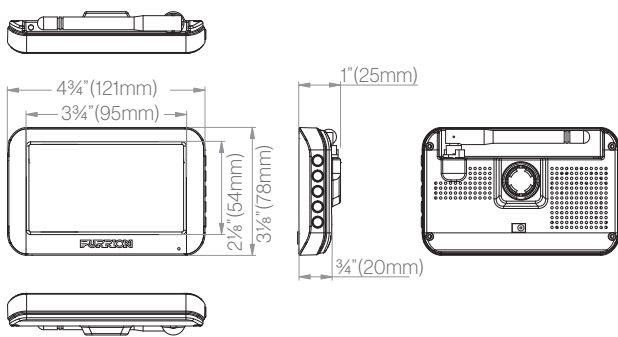


WATERPROOF

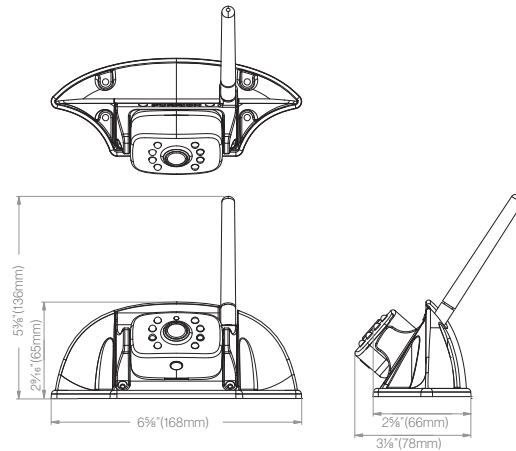


BUILT IN MICROPHONE

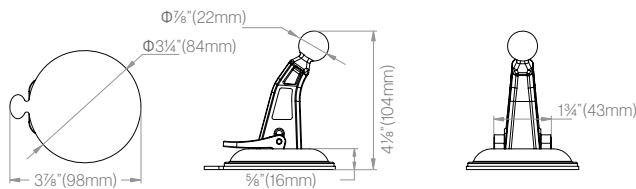
Monitor



Doorway Security / Rear Camera



Windshield Mount



Part Number	Product
FOS43TASF	4.3" + +

Specifications

Camera

Night Vision Distance	<16ft (5m)
CMOS Size	1/3"
Optical Lens	Doorway/Rear: F2.0
IR Cut Filter	850nm Automatic
View Angle/Degree	120°
Working Current (IR ON)	<400mA@12V
Working Current (IR OFF)	<250mA@12V
Camera Pixel	720 x 480
Waterproof	IP65

Monitor

LCD Backlight ON	<500mA@12V
LCD Backlight OFF	<300mA@12V
LCD Size	4.3"
LCD Resolution at 1View	480 x 272
LCD Brightness	240 cd/m ²
LCD Contrast	900:1
LCD Viewing Angle	L/R75, U60, D70
LCD Aspect Ratio	16:9

Camera/Monitor

Supply Voltage	DC8 to 30V
Wireless Frequency	2.4GHz
Wireless Range	<492.13ft (150m) (open area)
Emitting Power	18+/-2 dBm
Transmitting Speed	6 Mbps (single)
RF Modulation	OFDM
Receiving Sensitivity	-88 +/-3dBm
Decompression Form	H.264
Delaying Time	<250ms
Channel Bandwidth	20MHz
Type Approval	FCC Part 15

Dimensions/Weight

Individual Packaging Dimensions (W x H x D)	7 1/2 x 8 3/4 x 2 7/8" (191 x 223 x 72mm)
Net weight (lbs/kgs)	1.1/0.5
Gross weight (lbs/kgs)	1.8/0.8

Master Carton

Quantity per Master Carton	8
Master Carton Dimensions (W x H x D)	11 7/8 x 18 1/8 x 8 3/8" (302 x 460 x 214mm)
Master Carton Gross Weight (lbs/kg)	14.8/6.7

FOS43TASF-V1.6



Vehicle Observation System

5" Furrion Vision S™ Single Camera System



5" Monitor



Interior Table Stand



Windshield Mount



Doorway Security / Rear Camera

Main Features

Monitor & Accessories



DIGITAL WIRELESS



TOUCH SCREEN



ANTI-GLARE



REAR ASSIST MARKER LINES



SECURITY CAMERA AUTO-WAKE



DISPLAY UP TO 4 CAMERAS



AUDIO



WINDSHIELD MOUNT



INTERIOR TABLE STAND



WALL MOUNT (SOLD SEPARATELY)

Doorway Security / Rear Camera



CMOS 120° VIEW ANGLE



INFRARED NIGHT VISION



CAMERA RESOLUTION



INTELLIGENT IR CUT FILTER



MOTION DETECT

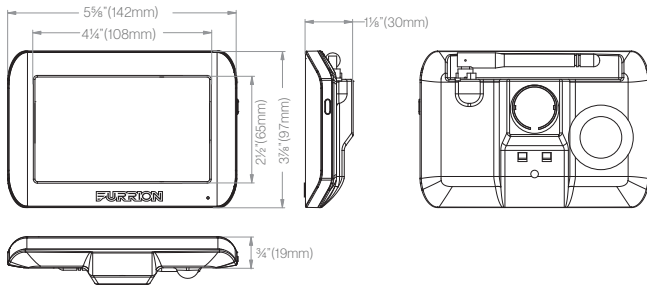


WATERPROOF

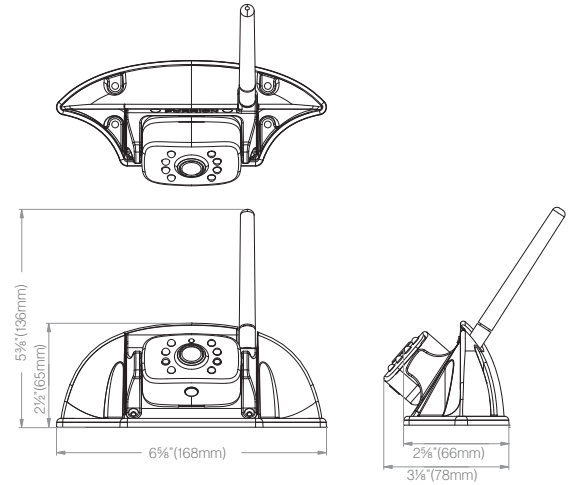


BUILT IN MICROPHONE

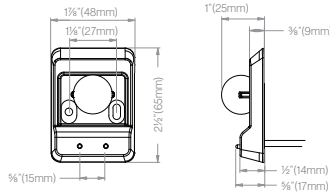
Monitor



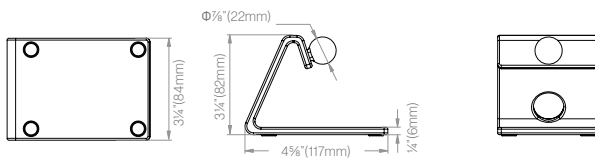
Doorway Security / Rear Camera



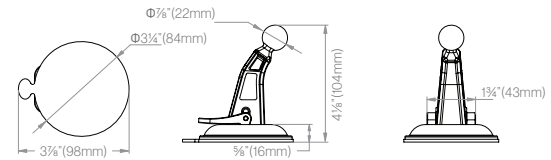
Interior Wall Mount (Sold Separately)



Interior Table Stand



Windshield Mount



Part Number	Product
FOS05TASF	

Specifications

Camera

Night Vision Distance	<16ft (5m)
CMOS Size	1/3"
Optical Lens	F2.0
IR Cut Filter	850nm Automatic
View Angle/Degree	120°
Working Current (IR ON)	<400mA@12V
Working Current (IR OFF)	<250mA@12V
Camera Pixel	720 x 480
Waterproof	IP65

Monitor

LCD Backlight ON	<500mA@12V
LCD Backlight OFF	<300mA@12V
LCD Size	5"
LCD Resolution at 1View	720 x 480
LCD Brightness	420 cd/m ²
LCD Contrast	600:1
LCD Viewing Angle	L/R65, U50, D60
LCD Aspect Ratio	16:9
Channel Bandwidth	20MHz

Camera/Monitor

Supply Voltage	DC8 to 30V
Wireless Frequency	2.4GHz
Wireless Range	<492.13ft (150m) (open area)
Emitting Power	18+/-2 dBm
Transmitting Speed	6 Mbps (single)
RF Modulation	OFDM
Receiving Sensitivity	-88 +/--3dBm
Decompression Form	H.264
Delaying Time	<250ms
Type Approval	FCC Part 15

Dimensions/Weight

Individual Packaging Dimensions (W x H x D)	9 x 9 1/8 x 3 7/8" (230 x 233 x 98mm)
Net weight (lbs/kgs)	1.5/0.7
Gross weight (lbs/kgs)	2.4/1.1

Master Carton

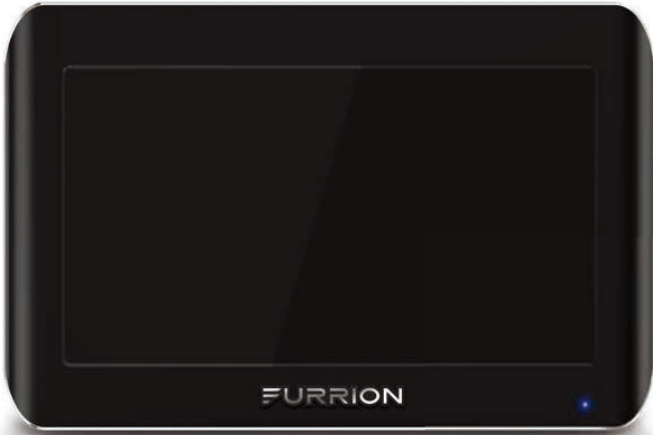
Quantity per Master Carton	10
Master Carton Dimensions (W x H x D)	18 3/4 x 20 1/8 x 10" (475 x 510 x 253mm)
Master Carton Gross Weight (lbs/kg)	26.5/12.0

FOS05TASF-V1.6



Vehicle Observation System

7" Furrion Vision S™ Single Camera System



7" Monitor



Interior Table Stand



Windshield Mount



Doorway Security / Rear Camera

Main Features

Monitor & Accessories



DIGITAL WIRELESS



TOUCH SCREEN



ANTI-GLARE



REAR ASSIST MARKER LINES



SECURITY CAMERA AUTO-WAKE



DISPLAY UP TO 4 CAMERAS



AUDIO



WINDSHIELD MOUNT



INTERIOR TABLE STAND



WALL MOUNT (SOLD SEPARATELY)

Doorway Security / Rear Camera



CMOS 120° VIEW ANGLE



INFRARED NIGHT VISION



CAMERA RESOLUTION



INTELLIGENT IR CUT FILTER



MOTION DETECT

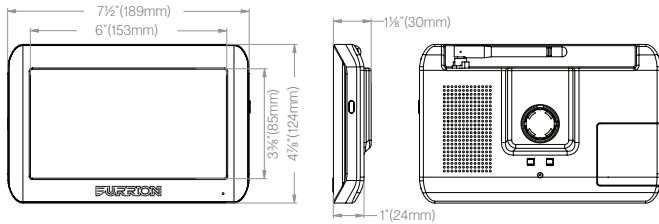


WATERPROOF

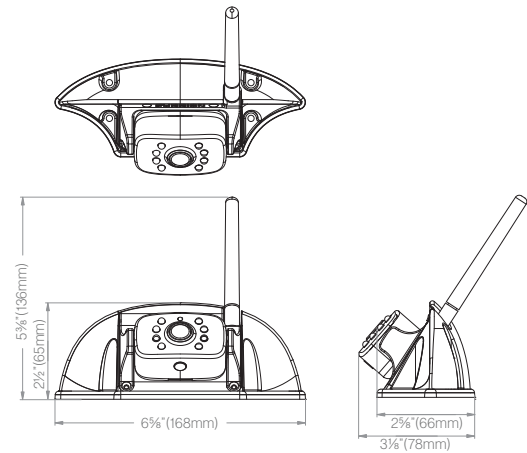


BUILT IN MICROPHONE

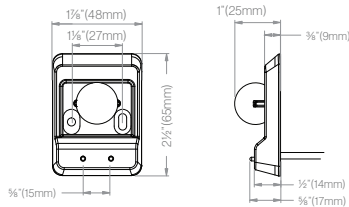
Monitor



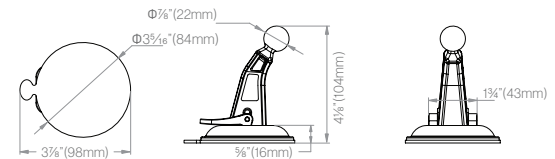
Doorway Security / Rear Camera



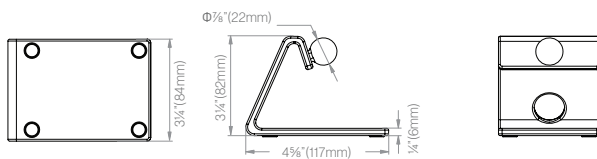
Interior Wall Mount (Sold Separately)



Windshield Mount



Interior Table Stand



Part Number	Product
FOS07TASF	

Specifications

Camera

Night Vision Distance	<16ft (5m)
CMOS Size	1/3"
Optical Lens	F2.0
IR Cut Filter	850nm Automatic
View Angle/Degree	120°
Working Current (IR ON)	<400mA@12V
Working Current (IR OFF)	<250mA@12V
Camera Pixel	720 x 480
Waterproof	IP65

Monitor

LCD Backlight ON	<500mA@12V
LCD Backlight OFF	<300mA@12V
LCD Size	7"
LCD Resolution at 1View	720 x 480
LCD Brightness	170 cd/m ²
LCD Contrast	300:1
LCD Viewing Angle	L/R80, U60, D70
LCD Aspect Ratio	16:9
Channel Bandwidth	20MHz

Camera/Monitor

Supply Voltage	DC8 to 30V
Wireless Frequency	2.4GHz
Wireless Range	<492.13ft (150m) (open area)
Emitting Power	18+/-2 dBm
Transmitting Speed	6 Mbps (single)
RF Modulation	OFDM
Receiving Sensitivity	-88 +/--3dBm
Decompression Form	H.264
Delaying Time	<250ms
Type Approval	FCC Part 15

Dimensions/Weight

Individual Packaging Dimensions (W x H x D)	9 9/8 x 9 3/4 x 3 3/4" (243 x 248 x 96mm)
Net weight (lbs/kgs)	2.0/0.9
Gross weight (lbs/kgs)	2.9/1.3

Master Carton

Quantity per Master Carton	4
Master Carton Dimensions (W x H x D)	110 3/8 x 20 x 8 3/8" (265 x 507 x 214mm)
Master Carton Gross Weight (lbs/kg)	12.6/5.7

FOS07TASF-V1.6

