

FURRION NET-ZERO

80A CONVERTER

FCVSDC80A



EASY
INSTALLATION



OVER VOLTAGE
PROTECTION



OVER CURRENT
PROTECTION



SHORT CIRCUIT
PROTECTION



THERMAL
PROTECTION

UP TO
80AMP

CONVERTER/CHARGER
RATING



LEAD ACID
BATTERY CHARGING



WORK WITH FURRIION
LIFEPO4 BATTERY



BATTERY
MAINTENANCE-FREE



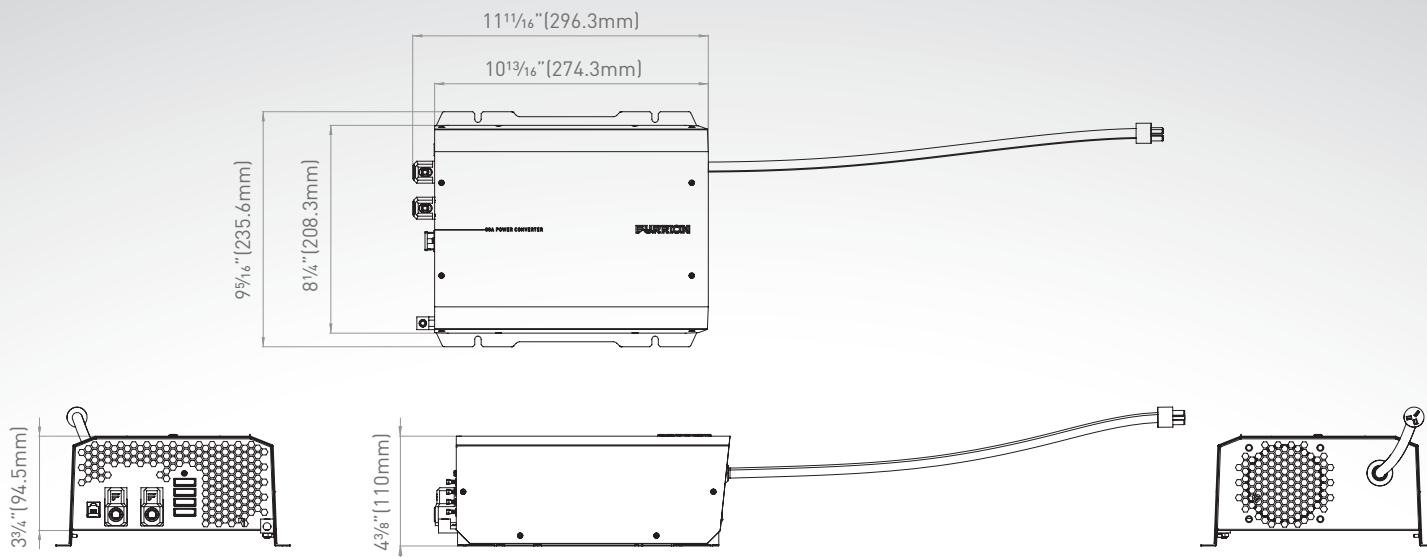
INTELLIGENT
FAN SPEED CONTROL

- Easy access to reverse battery protection fuses
- Float and Standby mode for auto-recycle charge to keep battery fresh, even during long periods of inactivity

- Reverse Polarity Protection (Fused)
- The Micro-Processor Control allows auto charging operations to ensure a quick and full battery charge



FCVSDC80A | 80A CONVERTER



Specifications

LiFePo4	
Bulk	14.6 V
Float	13.6V
Sealed	
Bulk	14.4V
Float	13.4V
Stand By Voltage	13.2V
Charge Current	80A
Operation Voltage Range	100Vac to 132Vac / 60Hz
Output Over Current Protection	85A
Full Load Input Power	1500W
No Load Input Current	200mA
Full Load Input Current (120V/60Hz)	12.5A
Efficiency (at LiFePo4)(120Vac)	>80%
Line Regulation At Full Load (input voltage 105V to 132V)	3%
Output Over Voltage Protection	✓
Load Regulation (10%-100% Load)	3%
Ripple & Noise (r.m.s)	30mV
Rj11 For Battery Type Selection	✓
Standard	UL458
Working Environment	-10°C to 50°C/14°F to 122 °F (Higher than 50C will be de-rating)
Storage Environment	-20°C to 80°C/-4°F to 176 °F

Protection

Reverse Polarity Protection	By Fuse
Electronic Current Limiting	✓
Intelligent Fan Speed Control	✓
Intelligent Thermal De-rating & Cut-off Protection	✓
DC Lower & Higher Voltage Protection	✓

Packaging Information

Packaging Type	Brown Box
Quantity Per Box 1 (pcs)	1pcs
Individual Packaging Dimensions (W x H x D)	13 3/16" x 5 1/16" x 10 7/16" (345x145x265mm)
Individual Packaging Gross Weight (kg/lbs)	4kg/8.8lbs
Individual Packaging Net Weight (kg/lbs)	3kg/6.6lbs

Master Carton

Packaging Type	Master Carton Box
Quantity Per Box (pcs)	4 pcs
Master Carton Dimensions (W x H x D)	21 3/16" x 12" x 14 1/16" (542 x 305 x 357mm)
Master Carton Gross Weight (kg/lbs)	15kg/33.1lbs
Master Carton Net Weight (kg/lbs)	14kg/30.9lbs

Container Load Information

40'HQ Container Load (pcs)	1600
----------------------------	------

* Note: "✓"=Equipped