

FURRION

Single Zone Premium Wall Thermostat

Instruction Manual

Model: FACW12PA-BL



Welcome

Thank you for purchasing this Furrion® Single Zone Premium Wall Thermostat. Before operating your new product, please read these instructions carefully. This instruction manual contains information for safe use, installation and maintenance of the product.

Please keep this instruction manual in a safe place for future reference. This will ensure safe use and reduce the risk of injury. Be sure to pass on this manual to new owners of this product.

The manufacturer does not accept responsibility for any damages due to not observing these instructions.

Contents

Welcome	1
Contents	2
About your Thermostat.....	3
Product Features.....	3
Control Buttons.....	3
LCD Icons	4
Installation	5
What's in the Box	5
Thermostat Installation	5
Operation.....	7
Turn On/Off the Thermostat.....	7
Temperature Format.....	7
Operation Mode.....	7
Set the Temperature	9
Set the Fan Speed	10
Mood Light.....	10
Sleep Mode.....	10
Special Features.....	11
Auto Fan	11
Compressor Time Delay.....	11
LCD Error Code	11
Wiring Diagram	12
Specifications	13

About your Thermostat

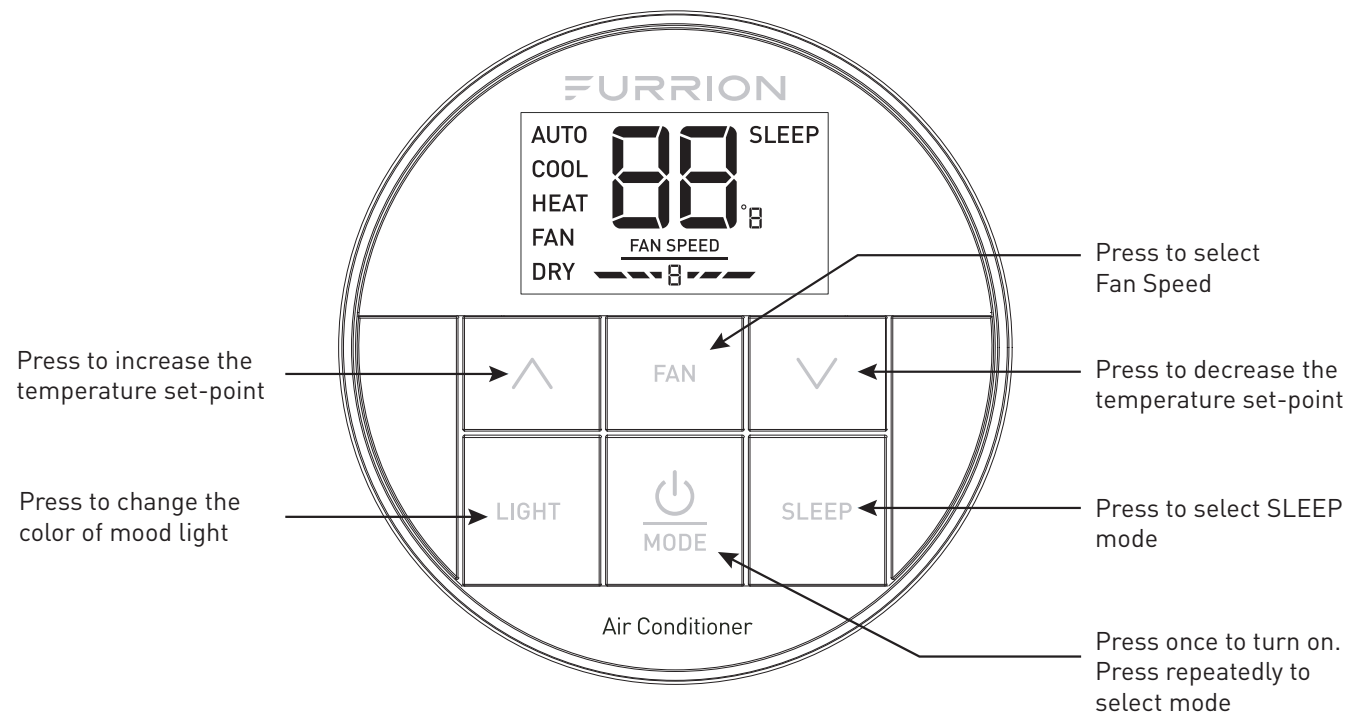
Product Features

Your Single Zone LCD thermostat is equipped with a liquid crystal display (LCD) to indicate the temperature set-point in Fahrenheit(°F)/Centigrade(°C) and fan speed. It is also equipped with LCD to indicate the system available operation modes.

NOTE: The available operation modes will be different depending on the system installed in your RV.

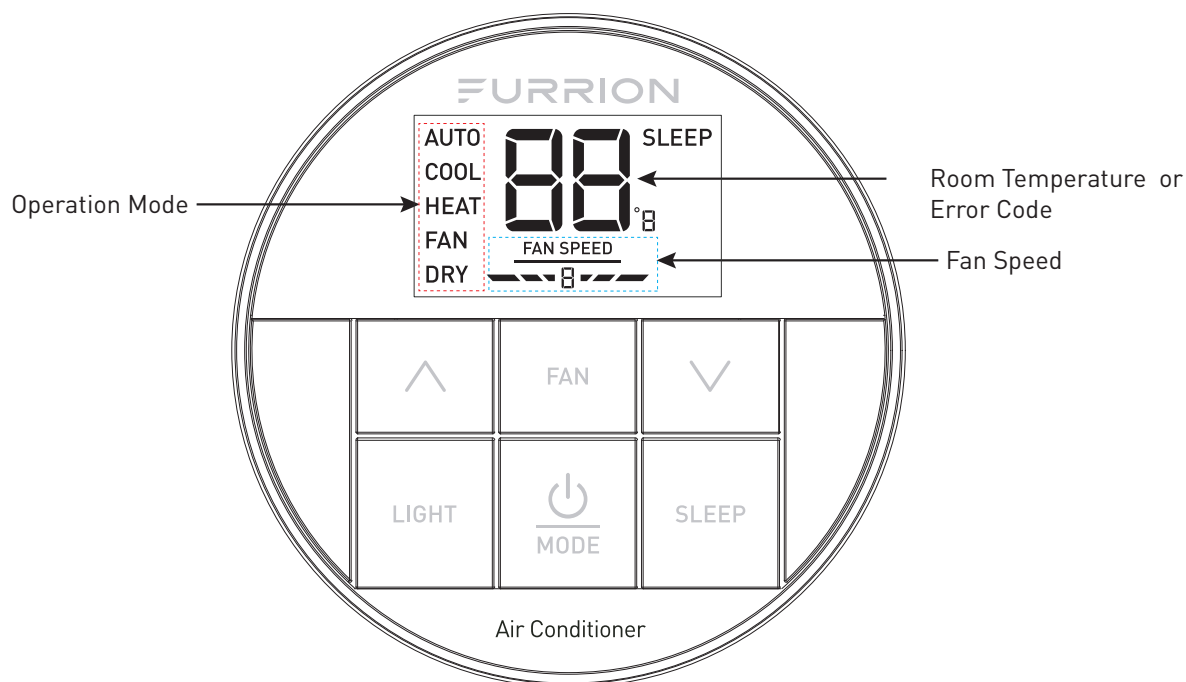
- Liquid Crystal Display and Mode Indicators
- Auto Fan
- Room Temperature Display
- Fahrenheit(°F)/Centigrade(°C) Display
- Sleep Mode
- LED Mood Light

Control Buttons



About your Thermostat

LCD Icons



Installation

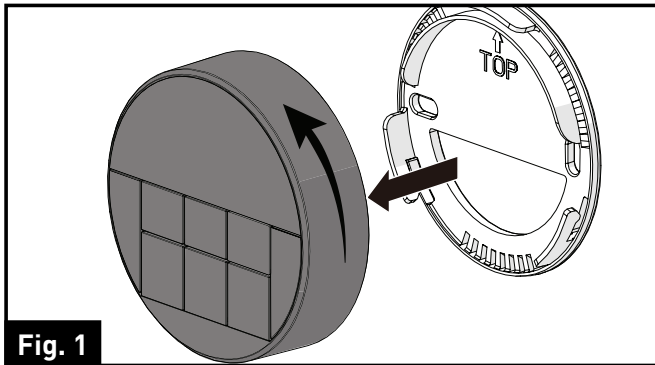
What's in the Box

Make sure you have all the following items included in the packaging. If any item is damaged or missing, contact your dealer.

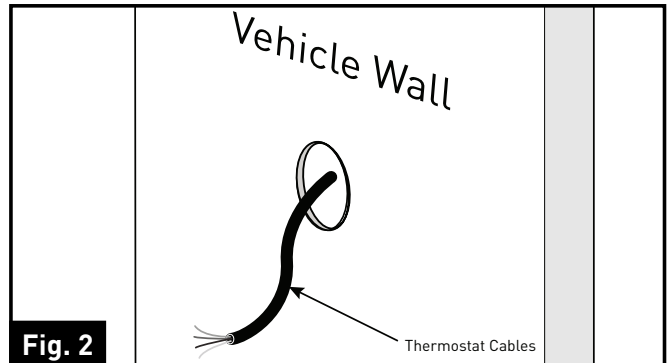
- Thermostat x 1
- Instruction Manual x 1
- Warranty Card x 1
- Self-tapping Screw x 2

Thermostat Installation

1. Select a suitable location that is not under direct influence from light, sun or other heat sources.
2. Rotate the thermostat cover counterclockwise and pull out the base plate. (Fig. 1)

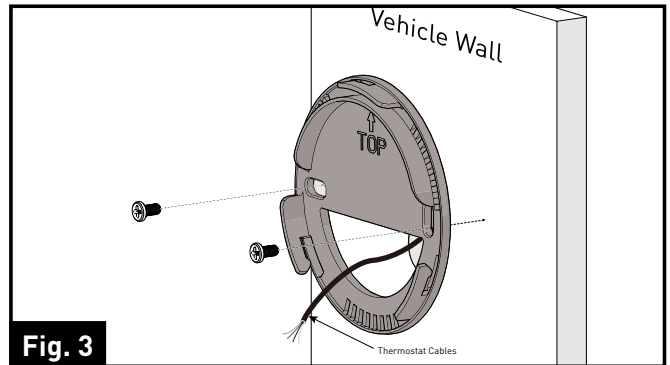


3. Use the base plate as a template and drill a hole on the vehicle wall. Extend the four wire cables from the cutout area. Refer to the cable tag label for each cable definition. (Fig. 2)



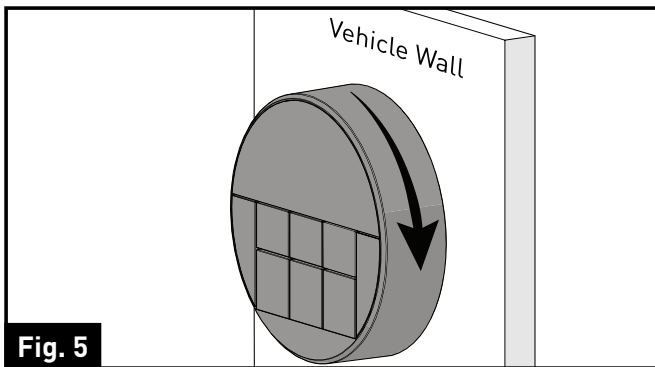
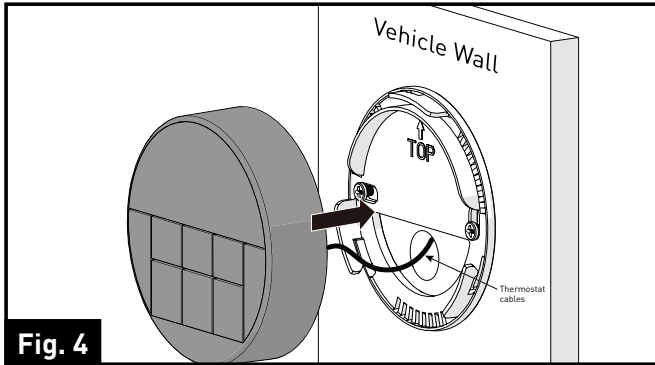
4. Fix the base plate on the wall using 2 screws. (Fig. 3)

NOTE: Make sure the base plate is not covering the hole and squeezing the thermostat cables.



Installation

5. Connect the cables to thermostat.
Rotate the thermostat clockwise until it clips into place. (Fig. 4 and Fig. 5)

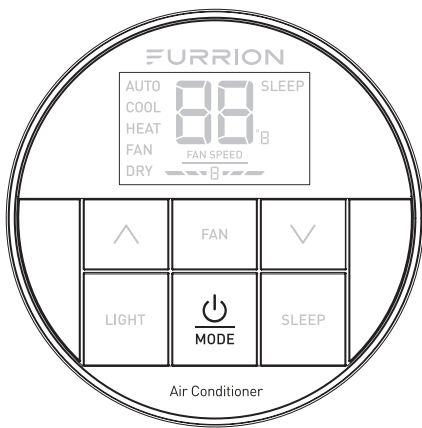


Operation


Your Furrion wall thermostat has been preprogrammed with factory default settings. Review the settings below and adjust to your comfort level.

FACTORY DEFAULT SETTINGS	
HEATING	68°F / 20°C
COOLING	72°F / 22°C
FAN SPEED	AUTO
MODE	AUTO
FURNACE DIFFERENTIAL	2°F

Turn On/Off the Thermostat




To turn On

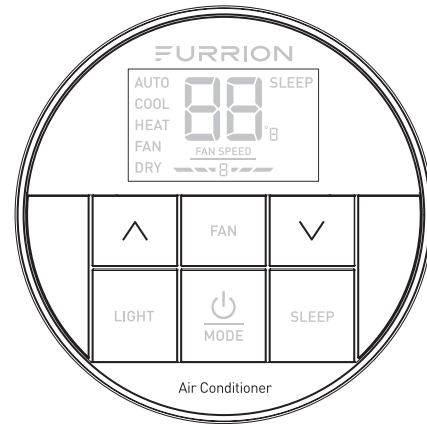
Press and hold the  button for 3 seconds to turn on the thermostat. The thermostat LCD will be illuminated and the factory settings will be displayed on the LCD for first time use.



NOTE: The LCD will display the last setting if you have changed the parameters.

To turn Off

Press and hold  button for 3 seconds to turn off the thermostat. Only the current room temperature will be displayed on the LCD.

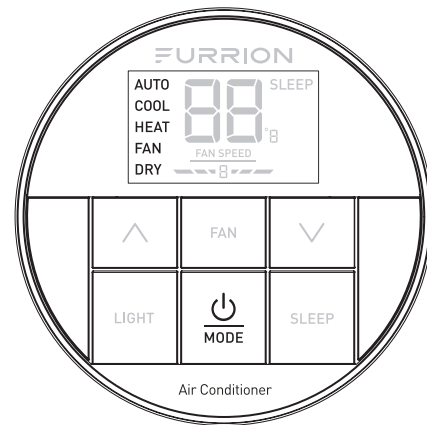
Temperature Format




Simultaneously press both  and  buttons for 3 seconds to toggle the temperature format between Centigrade and Fahrenheit.

NOTE: °F indicates Fahrenheit and °C indicates Centigrade.

Operation Mode



After the thermostat is turned on, press the  button repeatedly to toggle through the available modes. The activated mode icon and temperature set-point will be displayed on the LCD. The thermostat will transmit the last selected operation mode command to the control box after 2 seconds without any operation.

Depending on the system installed, there

Operation

are 5 available modes (**AUTO**, **COOL**, **HEAT**, **FAN** and **DRY**) for you to select. See the following tables for detailed information of each mode.





NOTE: The **HEAT** mode is only available after the furnace is enabled.

AUTO MODE

- The system will changeover between **COOL** and **HEAT** mode according to the room temperature. For example, when the room temperature is below 68°F (20°C), the system will operate in HEAT mode. In contrast, when the room temperature is above 77°F (25°C), the system will operate in COOL mode. It operates the Dry Mode in comfort temperature between 68°F (20°C) to 77°F (25°C).
- The **AUTO** icon and the current temperature set-point displays on the LCD.

COOL MODE

- The system will cycle the compressor on and off based on the room temperature and the temperature set-point.
- The fan will be turned on after the compressor is running.
- There are 4 fan speed selections in this mode.


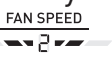

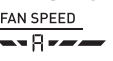

Low	The fan operates continuously at low speed and the  icon displays on the LCD.
Med	The fan operates continuously at medium speed and the  icon displays on the LCD.
High	The fan operates continuously at high speed and the  icon displays on the LCD.
Auto	The fan speed varies depending on the difference between the temperature set-point and room temperature. The  icon displays on the LCD.

Operation

HEAT MODE




NOTE: The **HEAT** mode is only available when the furnace is enabled.

- The system will cycle the furnace on and off based on the room temperature and temperature set-point.
- There are 4 fan speed selections in this mode.
- The fan speed selections only apply to the rooftop fan that is part of the Air Conditioner. The fan speed selection does not change the fan speed of the furnace.

Low	The fan operates continuously at low speed and the  icon displays on the LCD.
Med	The fan operates continuously at medium speed and the  icon displays on the LCD.
High	The fan operates continuously at high speed and the  icon displays on the LCD.
Auto	The fan speed varies depending on the difference between the temperature set-point and room temperature. The  icon displays on the LCD.
OFF	The fan is off. The  icon displays on the LCD.

FAN MODE

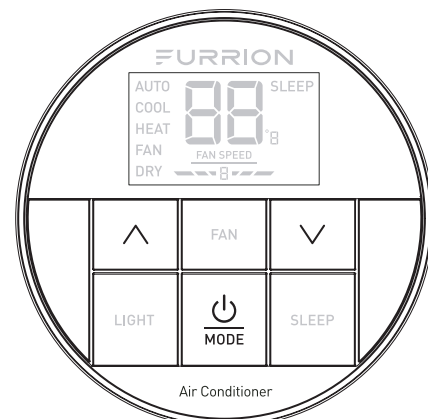
- The temperature set-point is not available.
- There are 3 fan speed selections in this mode.

Low	The fan operates continuously at low speed and the  icon displays on the LCD.
Med	The fan operates continuously at medium speed and the  icon displays on the LCD.
High	The fan operates continuously at high speed and the  icon displays on the LCD.

DRY MODE

- Compressor runs continuously when room temperature is higher than set-point.
- Compressor cycles ON for 10 minutes and OFF for 6 minutes when room temperature is lower than set-point.
- The fan speed runs continuously at low speed.




Set the Temperature



The temperature set-point ranges from

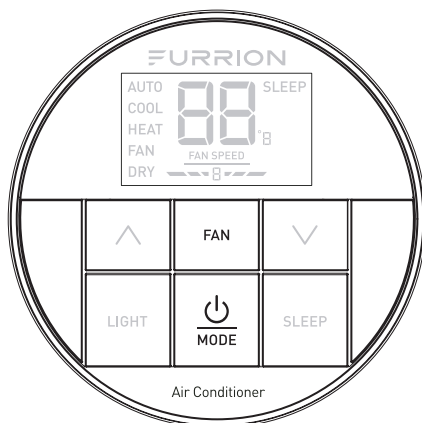
Operation


60°F~86°F (16°C~30°C).

1. Press  button to toggle to your desired mode.
2. Press  or  button to increase or decrease the temperature set-point to your comfort level.

NOTE: The temperature set-point is not available in **FAN** mode.

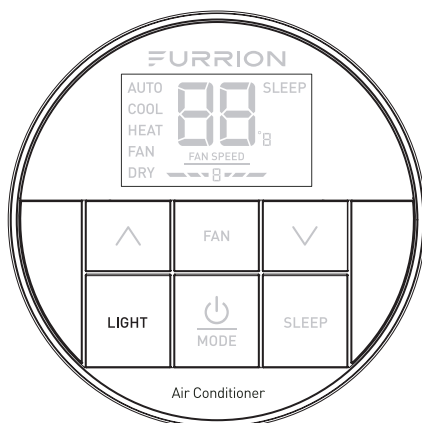
Set the Fan Speed



1. Press  button repeatedly to toggle to your desired mode.
2. Press **FAN** button to select **AUTO**, **HIGH**, **MEDIUM** or **LOW** fan speed.

NOTE: The fan speed selection is not available in **DRY** mode.

Mood Light

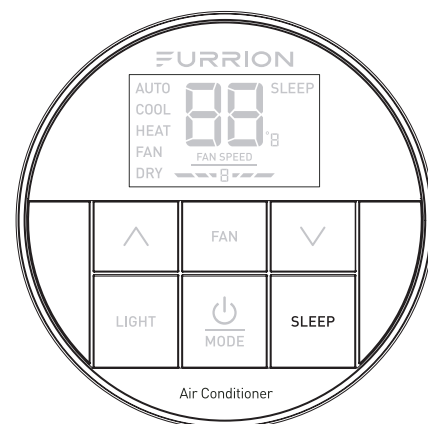


The thermostat is designed with 7

predefined colors of LED light in the air distribution box.

1. Press **LIGHT** button on the thermostat to turn on the mood light.
2. Press **LIGHT** button to toggle to your desired mood light.
3. To turn off the mood light, press **LIGHT** button repeatedly until the mood light turns off.

Sleep Mode



1. Press **SLEEP** button on the thermostat to turn on **SLEEP** mode. The **SLEEP** icon and the current temperature set-point will be displayed on the LCD.
2. After meeting desired temperature.
In Cool Mode:
The temperature set-point will increase 2°F after running for 1 hour and increase 2°F after running for 2 hours, then the fan speed will be fixed to **LOW** speed.
In Heat mode:
The temperature set-point will decrease 2°F after running for 1 hour and decrease 2°F after running for 2 hours, then the fan speed will be fixed to **LOW** speed.

Special Features

Auto Fan

When the auto fan mode is selected, the fan speed will vary depending on the temperature difference between the temperature set-point and the room temperature.

Temperature Difference	Fan Speed
>3°F	The fan operates on High level
>1°F	The fan operates on Med level
<-1°F	The fan operates on Low level

Compressor Time Delay

A time delay of approximately three minutes occurs any time the compressor is required to begin the cooling cycle.

NOTE: The time delay occurs automatically after a mode is selected or a power event occurs to ensure pressure in the compressor is equalized appropriately, to prevent damage.

Power Interruption

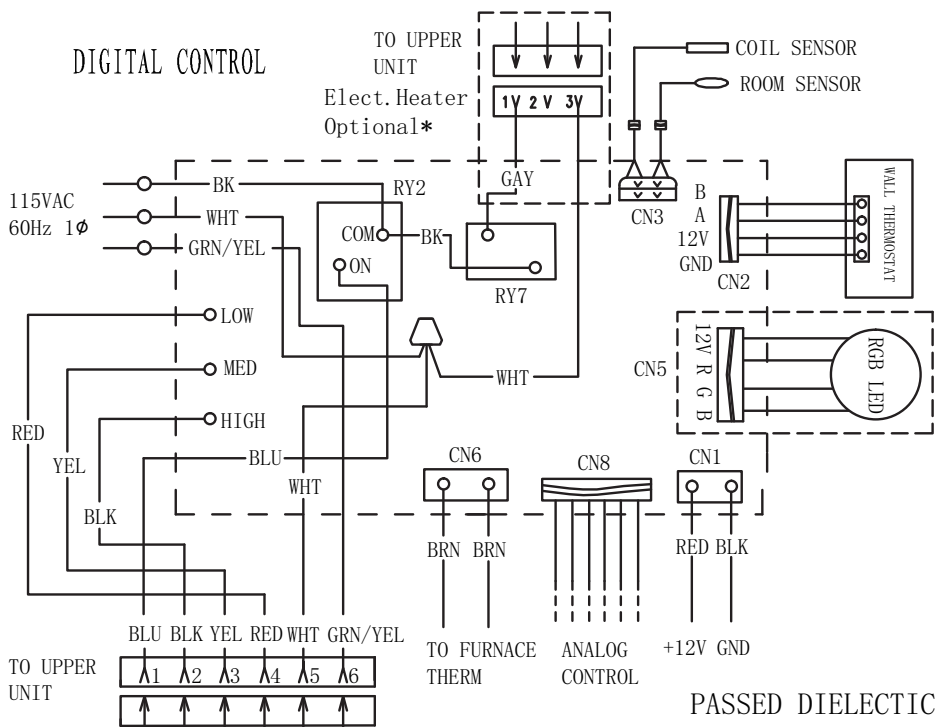
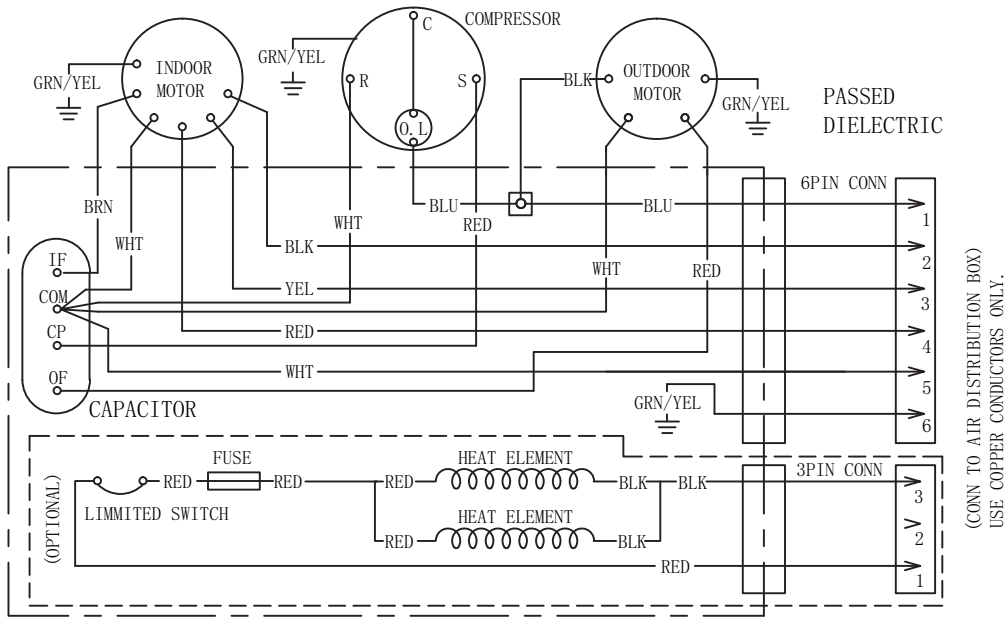
In the event the power to the air conditioner or controller is interrupted, the system will restart automatically with the last status and operational parameter set-points once the power is restored.

LCD Error Code

The following error code will be displayed on the LCD when the system detects one of the following faults has occurred.

LCD Error Code	
E1	Indoor temperature sensor out of order. System will shut down.
E2	Evaporator temperature sensor out of order. System will shut down.
E3	Loss of communication between the thermostat and control box. System will shut down.
E4	Condenser temperature sensor out of order. System will shut down.
E5	Outdoor temperature sensor out of order. System will shut down.
LO	Insufficient low level of +12V power supply. System will shut down.

Wiring Diagram



Specifications

DC Input Power	DC 12V
Power Consumption	<0.5W
Baud Rate	9600bps
Dimension	3 x 3 x 1 ⁵ / ₁₆ " (75 x 75 x 22.5mm)
Weight	0.06kg
LCD Viewing angle	12 o'clock