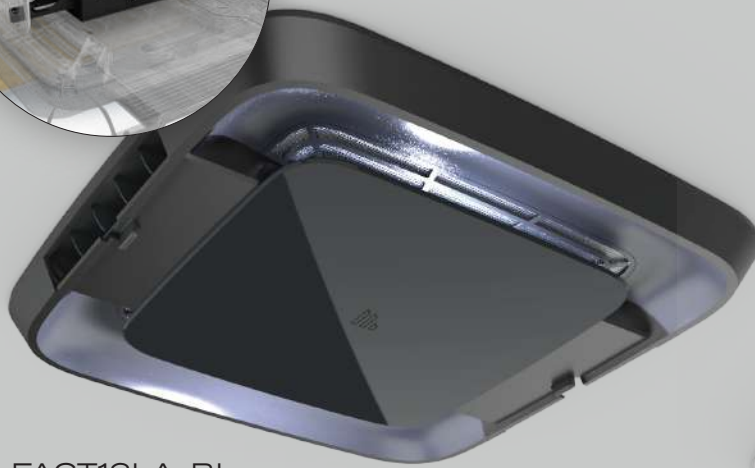
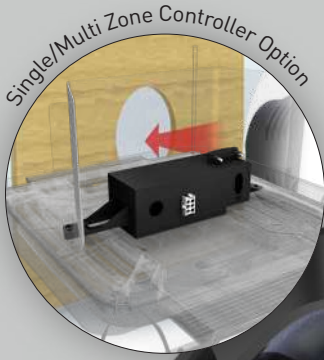
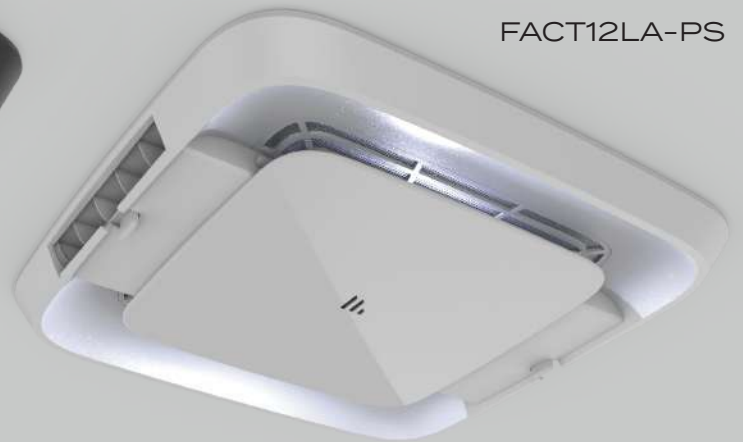


FURRION CHILL™

AIR DISTRIBUTION BOX WITH LED LIGHT FACT12LA



FACT12LA-BL



FACT12LA-PS



2 WAY
AIR FLOW



3 FAN
SPEEDS



AUTO FAN
OPERATION



SLEEP
MODE



2 PROGRAM
TIMERS



AUTO
RESTART



LED
LIGHTING



DETACHABLE
FILTER



EASY
INSTALLATION



CAN BE USED FOR
DUCTED / NON-DUCTED

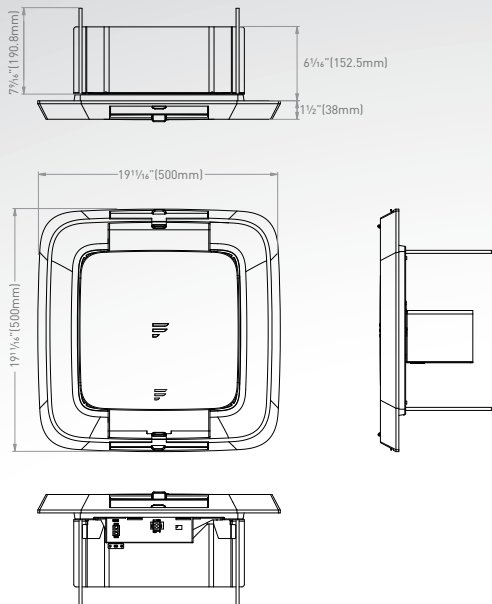
- Stylish LED mood lighting
- Single zone controller is compatible with Furrion single zone basic/premium wall thermostat
- Multi zone controller is compatible with Furrion multi zone wall thermostat

- Detachable filters for easy cleaning
- Compatible with both ducted and non-ducted RVs
- Stylish and slim design
- Available in black and white options
- Maximize air flow louver to two outlets

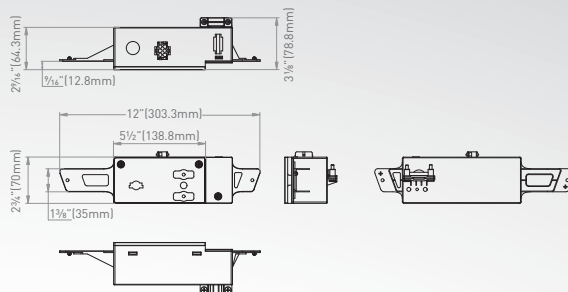


FACT12LA | AIR DISTRIBUTION BOX WITH LED LIGHT

Air Distribution Box



Single/Multi Zone Controller



Controller options	
FACC12SA-BL	Single zone controller
FACC12ZA-BL	Multi zone controller
Wall thermostat options	
FACW12SA-BL	Single zone basic wall thermostat
FACW12PA-BL	Single zone premium wall thermostat
FACW12ZA-BL	Multi zone wall thermostat

Note: Controller and wall thermostat are sold separately

Specifications

Air Distribution Box	
2 Way Air Outlet	✓
LED Lighting	✓
Detachable Filter	✓
Indoor Sound Pressure Level	60dB
Controller	
Input Power	AC 115V / DC 12V
Frequency	60Hz
Compressor & Condenser Fan Relay	AC 115V/20A
3 Evaporator Fan Motor Relay	AC 115V/5A
Temperature Range	16°C to 30°C/60°F to 86°F

Packaging Information

Air Distribution Box	
Packaging Type	Master Carton Box
Quantity Per Box (pcs)	1
Individual Packaging Dimensions (W x H x D)	20 7/16" x 20 1/2" x 5 5/8" (530 x 520 x 135mm)
Individual Packaging Gross Weight (lbs/kg)	7.8 / 3.5
Individual Packaging Net Weight (lbs/kg)	6.7 / 3
Single/Multi Zone Controller	
Packaging Type	Master Carton Box
Quantity Per Box (pcs)	1
Individual Packaging Dimensions (W x H x D)	25" x 12 7/16" x 13 7/16" (635 x 315 x 340mm)
Individual Packaging Gross Weight (kg/lbs)	15 / 33.1
Individual Packaging Net Weight (kg/lbs)	14 / 30.9

Container Load Information

Air Distribution Box	
20' Container Load (pcs)	836
40' Container Load (pcs)	1704
40'HQ Container Load (pcs)	1955
Single/Multi Zone Controller	
40'HQ Container Load (pcs)	37240

* Note: "✓"=Equipped