

# FURRION

**Range Cooktop**

**Surface de cuisson**

**Anafe de cocina**

*Instruction Manual*

*Manuel d'instructions*

*Manual de instrucciones*

**Model/Modèle/Modelo:**

**FGH4ZSA-SS**

**FGH4ZSA-SB**



Thank you for purchasing this Furrion® product. Before operating your new appliance, please read these instructions carefully. This instruction manual contains information for safe use, installation and maintenance of the appliance.

Please keep this instruction manual in a safe place for future reference. This will ensure safe use and reduce the risk of injury. Be sure to pass on this manual to new owners of this appliance.

The manufacturer does not accept responsibility for any damages due to not observing these instructions.

**WARNING: If the information in this manual is not followed exactly, a fire or explosion may result causing property damage, personal injury or death.**

- **Do not store or use gasoline or other flammable vapors and liquids in the vicinity of this or any appliance.**
- **WHAT TO DO IF YOU SMELL GAS:**
  - **Do not try to light any appliances.**
  - **Do not touch any electrical switches.**
  - **Do not use any phone in your recreational vehicle.**
  - **Clear the recreational vehicle of all occupants.**
  - **Turn off the LP container valve or main container.**
  - **Immediately call your gas supplier for instructions.**
  - **If you cannot reach your gas supplier, call the fire department.**
- **Have the gas system checked and leakage source corrected by a qualified installer, service agency, manufacturer, dealer or the gas supplier.**

# Table of Contents

<b>Table of Contents</b> .....	<b>2</b>
<b>Explanation of Symbols</b> .....	<b>3</b>
<b>Important Safety Instructions</b> .....	<b>3</b>
General Safety Warnings .....	3
Cooktop Safety .....	4
<b>Product Overview</b> .....	<b>5</b>
<b>Installation</b> .....	<b>5</b>
Cabinet Cutout Instructions .....	5
What's in the Box .....	6
Installing the Cooktop .....	6
Gas Connection .....	7
Leak Check .....	7
<b>Using your Cooktop</b> .....	<b>7</b>
Lighting the Cooktop .....	7
If the Flame Goes Out .....	8
Turning Off the Cooktop .....	8
The Burner Flame .....	8
<b>Cleaning and Maintenance</b> .....	<b>8</b>
Replace the Igniter Battery .....	9
<b>Storage</b> .....	<b>9</b>
<b>Troubleshooting</b> .....	<b>9</b>
<b>Specification</b> .....	<b>10</b>

## Explanation of Symbols

This manual has safety information and instructions to help you eliminate or reduce the risk of accidents and injuries. Always respect all safety warnings identified with these symbols. A signal word will identify safety messages and property damage messages, and will indicate the degree or level of hazard seriousness.

### **DANGER**

Indicates an imminently hazardous situation which, if not avoided, will result in death or serious injury.

### **WARNING**

Indicates a potentially hazardous situation which, if not avoided, could result in death or serious injury.

### **CAUTION**

Indicates a potentially hazardous situation which, if not avoided, may result in minor or moderate personal injury, or property damage.

## Important Safety Instructions

Warning and important safety instructions appearing in this guide are not meant to cover all possible conditions and situations that may occur. Common sense, caution, and care must be exercised when installing, maintaining, or operating the appliance.

Always contact the manufacturer about problems or conditions you do not understand.

Read and follow all instructions before using this appliance to prevent the potential risk of fire, electric shock, personal injury or damage to the appliance as a result of improper usage of the appliance. Use appliance only for its intended purpose as described in this guide.

If an external electrical source is utilized, the appliance must be electrically grounded in accordance with state or other codes or, in the absence of such codes, with the National Electrical Code, ANSI/NFPA 70. Do not attempt to adjust, repair, service or replace any part of your appliance unless it is specifically recommended in this guide. All other servicing should be referred to a qualified service technician.

instructions in this manual, then the risk of a fire and/or the production of carbon monoxide exists which can cause personal injury, property damage or loss of life.

### **WARNING**

#### **EXPLOSION OR FIRE**

- Shut off all gas appliances and pilot lights when refueling gasoline tanks, LP tanks or when vehicle is in motion.
- Furrion gas operated cooking appliances are for use with LP gas only, and for installation in recreation vehicles only (e.g. travel trailers, motor homes, tent campers, etc.).

### **WARNING**

#### **CARBON MONOXIDE POISONING**

- DO NOT use range or cooktop for warming or heating vehicle. You could be burned or injured, a fire could start, or deplete oxygen in the vehicle.
- A window or air vent should be open slightly while using any cooking appliance. Gas flames consume oxygen which must be replaced to assure proper combustion.

## General Safety Warnings

### **WARNING**

- Improper installation, adjustment, service or maintenance can cause injury, property damage or death. Refer to this manual. For assistance or additional information, consult a qualified installer, service agency, manufacturer or the gas supplier.
- Avoid using your appliance or any other appliance if you smell gas. Do not assume that the smell of gas in your RV is normal. Any time you detect the odor of gas, it is to be considered life threatening and corrected immediately. Extinguish any open flames including cigarettes and evacuate all persons from the vehicle. Shut off gas supply at LP gas bottle.
- If the user of this appliance fails to maintain it in the condition in which it was shipped from the factory or if the appliance is not used solely for its intended purpose or if appliance is not maintained in accordance with the

- DO NOT store or use gasoline or other flammable vapors and liquids in the vicinity of this or any other appliance.
- DO NOT operate the appliance if it is damaged or not working properly.
- Never attempt to repair the appliance yourself. Any repairs to or installation of this appliance must be performed by a qualified installer, service agency or the gas supplier and in accordance with the instructions in this manual. Service of your appliance by a non-approved service person or agency could result in failure of the integrity of the appliance and could lead to property damage, serious injury or loss of life.
- Have your dealer show you where the main gas shut-off valve is located and how to shut it off in an emergency.
- Use your appliance only for its intended use.
- Children should be taught that the appliance is not a toy. They should not be allowed to play with the controls or

any other parts of the appliance. Do not allow anyone to stand or sit on top of the appliance. Not only can this damage the appliance, but personal injuries could result.

- Do not store items of interest to children in cabinets above or near the appliance. Children climbing on the appliance to reach items could be seriously injured.
- All control knobs must be turned off when not in use. Fire and/or burning hazard may occur if a burner is accidentally left on.
- If any burner should extinguish (after initially lighting or due to accidental blow-out), turn all burner knobs off and wait five (5) minutes before again attempting to light the burner.
- DO NOT store flammable materials on, in, or near the appliance. Any fumes can create an explosion and/or fire hazard.
- Do not wear loose fitting clothing or long-hanging sleeved clothing while using the appliance. If they contact the open flame of the burner, they could ignite and cause severe burns.
- Use only dry potholders to remove hot utensils. Using damp potholders on hot surfaces could result in burns to hands. Do not use a towel or bulky cloth for a pot holder. The cloth could contact open flame and catch fire.
- Never heat an unopened container. Pressure build-up within the container can cause it to explode.
- Do not use water on grease fires. Never pick-up a flaming pan. Smother a flaming pan with a lid or flat pan. Flaming grease outside the pan can be extinguished with baking soda or a multipurpose dry chemical fire extinguisher.
- This appliance is intended to be built-in to a cabinet structure only and is not intended for attachment to the building structure.

## Cooktop Safety

- Do not place pans onto glass surface. Raise cover into full open position before operating burners. Let cooktop cool before closing glass cover.
- If the cooktop is near a window, proper precautions should be taken to prevent curtains from blowing over burners creating a fire hazard.
- Keep the area around the cooktop clean and clear of any combustible materials, gasoline or other flammable vapors and liquids. Not doing so can cause an explosion and/or fire.
- Do not leave children alone or unsupervised in area where cooktop is being used. The top burners, burner grates and other areas near the burners become hot enough to cause severe burns.
- Do not wear loose fitting clothing or long-hanging sleeved clothing while using the appliance. If they contact the open flame of the burner, they could ignite and cause severe burns.
- Use only dry potholders to remove hot utensils. Using damp potholders on hot surfaces could result in burns to hands. Do not use a towel or bulky cloth for a pot holder. The cloth could contact open flame and catch fire.
- Never heat an unopened container. Pressure build-up within the container can cause it to explode.
- Keep the appliance clean. The build-up of grease and food boil-over and/or spillage can create a fire hazard.

- Turn pan handles inward or toward back of cooktop and out of the way of people walking past cooktop and/or out of the reach of children. Do not turn handles to where they are over the burners.
- Do not use water on grease fires. Never pick-up a flaming pan. Smother a flaming pan with a lid or flat pan. Flaming grease outside the pan can be extinguished with baking soda or a multipurpose dry chemical fire extinguisher.
- Never leave top burner(s) unattended.
  - For such reasons as down drafts that could be created by opening and closing of cabinet doors or doors within the RV or by positive or negative air pressures affecting burners due to improper installation. (See Installation section) The burner could extinguish resulting in gas escaping into the RV. Remember, gas flow to each burner is controlled manually, you must turn gas flow “ON” and “OFF”.
  - A boil over could occur and the spill could ignite.
- Flame size
  - Never extend the flame beyond the outer edge of the utensil. A higher flame simply wastes heat and energy.
  - Correct flame size is determined by utensil size and material, what you are cooking and whether or not you are cooking with liquid.



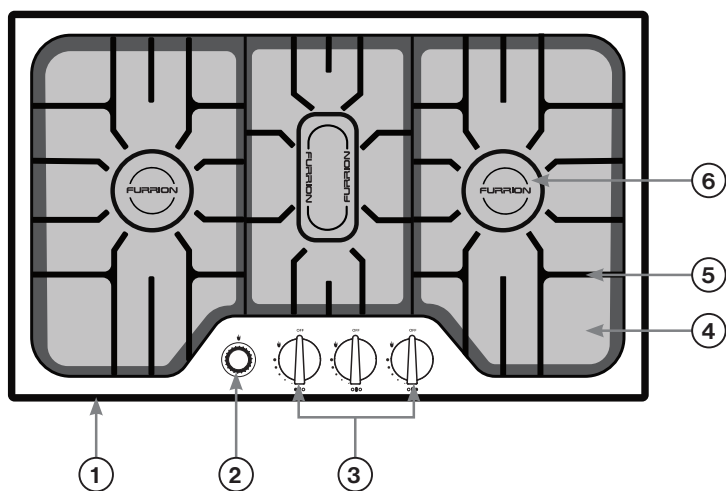
- To prevent damage to the cooktop, top burners, or top grate, never operate a top burner without a pan in place. The top burners, especially the high input burner, should not be operated on high for an extended period of time. The high setting should be used only to start the food cooking or to bring liquids to a boil, then reduce the flame to a lower setting to continue cooking. Use the low flame setting to keep food warm. Remember, a gas range heats quicker than an electric range, therefore, experiment with various settings until you feel comfortable cooking with gas.
- Never use cookware which extends beyond one inch of the grate (maximum pan size 10" diameter). Never place cooking utensil on grate to where it rests over two operating top burners. This will cause excessive heat buildup, which could result in damage in damage to the grate, top burner(s) and cooktop.
- Verify sufficient gas supply before attempting to light any top burner. Air in the gas supply line will significantly delay burner ignition, and a burner may light unexpectedly as the air in the line clears out and is replaced by LP gas, this unexpected ignition may burn you. Air may be introduced into the supply line when the vehicle gas bottle is replaced, during servicing of other gas appliances, etc.
- DO NOT touch top burners, burner grates, or other areas near top burners during and after use. Do not let clothing or other flammable materials to contact top burners or areas near top burners until they have had sufficient time to cool.
- Make sure the utensils you use are large enough to contain food and avoid boil overs and spillovers. Heavy splattering or spillovers left on the cooktop can ignite and

burn you.

- Be sure that glass cooking utensils are safe for use on the cooktop. Only certain kinds of glass utensils are suitable for surface or top burner use without breaking due to the sudden changes in temperature.
- Grease is flammable. Never allow grease to collect around top burners or on cooktop surface. Wipe spillovers immediately.

- Use care when lighting a top burner by hand. If the burner lights unexpectedly, or your hand is close to the burner, you may be burned.
- DO NOT drop pans on the porcelain surface. Cracks or chips in the porcelain surface may result.
- DO NOT leave an empty utensil, or one which has boiled dry, on a hot top burner. The utensil could overheat and damage the utensil or the cooking appliance.

## Product Overview



Item	Description
①	Product Rating Plate (bottom of cooktop)
②	Ignite Button
③	Control Knob
④	Burner Pan
⑤	Burner Grate
⑥	Surface Burner (large)

## Installation

### ⚠ WARNING

#### FIRE, EXPLOSION, BURN INJURY CARBON MONOXIDE POISONING

- The cooking appliance must be completely separated and/or sealed from other air moving or air consuming devices such as, but not limited to furnaces, microwave ovens clothes dryers, cooling fans and doors or drawers in common cabinets. Failure to do so will affect the appliance(s) combustion air supply by creating either a negative or positive draft.
- NEGATIVE DRAFT caused by air moving appliances may draw the top burner flame down into or toward the cooktop resulting in cooktop damage, burn hazard, explosion possibility and/or carbon monoxide build up.
- POSITIVE DRAFT may blow out the top burner flame during use resulting in an explosion and/or fire hazard and/or injury to the occupants of the vehicle.
- DO NOT operate the appliance in excessive windy conditions as this may cause a negative or positive draft.

### ⚠ WARNING

Installation of this appliance must be made in accordance with the written instructions provided in this manual. No agent, representative or employee of Furrion or other persons has the authority to change, modify or waive any provision of the instructions contained in this manual.

The installation must conform with local codes or in the absence of such codes, refer to the latest edition of:

In the U.S.A.:

- Standard for Recreational Vehicles NFPA 1192
- National Fuel Gas Code ANSI Z223.1/NFPA 54

In Canada, the installation must conform with:

- Standard CAN/CSA Z-240.4.2-08, Installation Requirements for Propane Appliances and Equipment in Recreational Vehicles.
- Any applicable local codes and regulations

### Cabinet Cutout Instructions

For proper operation of your cooking appliance, the cabinets must be properly constructed and squared with respect to the counter top and the cabinet face.

For proper operation of the appliance, the cabinet must be level and the bottom of the appliance must be supported.

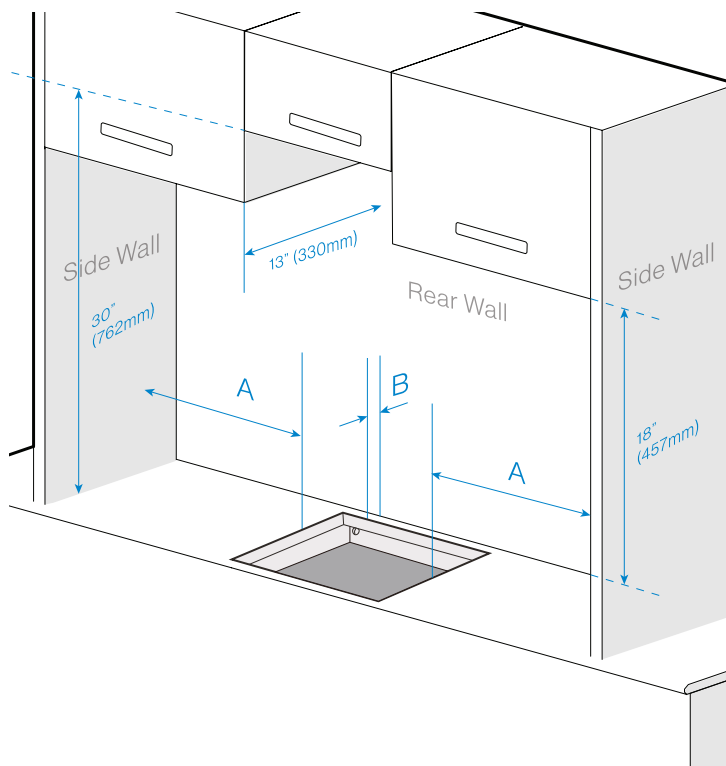
**NOTES:** When planning the location, consider curtains or

other combustible materials installed around the appliance so as not to create a fire hazard.

The minimum horizontal distance(s) from sides and back of appliance to adjacent vertical combustible walls extending above the top panel:

Item	Dimension
A	2" Min. (51mm Min.)
B	2" Min. (51mm Min.)

**NOTE:** These distances shall be from the cutout of the countertop.

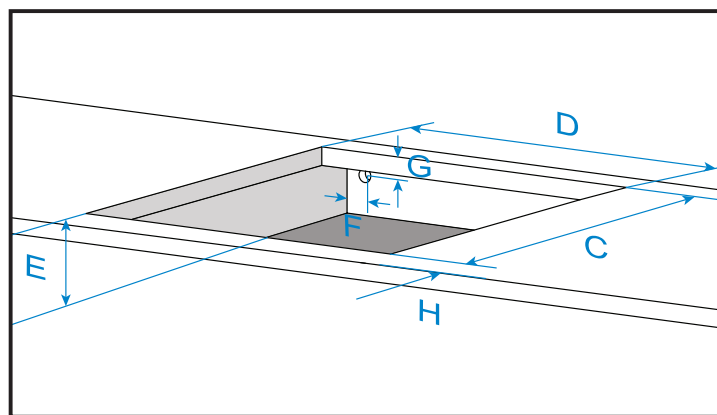


### ⚠ WARNING

The minimum vertical distance to combustible material above the range cooking top is 30" (762mm), provided the overhead construction does not extend 13" (330 mm) from the rear wall.

**NOTE:** If installing a range hood or microwave hood combination above the cooking surface, follow the range hood or microwave hood combination installation instructions for dimensional clearances above the cooktop surface.

Cabinet and counter cutout chart:



C	14 <sup>3</sup> / <sub>8</sub> " (365mm)
D	23 <sup>1</sup> / <sub>2</sub> " (597mm)
E	4" (102mm)
F	1 <sup>15</sup> / <sub>16</sub> " (50mm)
G	3 <sup>15</sup> / <sub>16</sub> " (100mm)
H	3 <sup>3</sup> / <sub>8</sub> " (85mm)

## What's in the Box

Make sure you have all the items in the packaging as listed below. For missing item(s), contact your dealer.

- Single stainless steel gas cooker unit
- Flexible gas supply hose with a <sup>3</sup>/<sub>8</sub>" female flare fitting with a <sup>5</sup>/<sub>8</sub>" -18UNF thread connection
- Butyl Tape
- 1 AA Battery
- User Manual
- Warranty Leaflet

## Installing the Cooktop

### ⚠ WARNING

Gas supply pipe must be installed with clearance from knives contacting or cutting gas lines.

**IMPORTANT:** Before finally fixing the cooktop into the cabinet, ensure there is a ventilation hole for air circulation around the cooktop in the cabinet. The location of the ventilation hole can be located at the rear, sides or bottom of the cabinet. The minimum diameter is 2" (50mm). The clearance between the cooktop bottom to the combustible materials is no less than 1" (25.4mm). Ensure the countertop, surrounding materials and bonding agents have a temperature rating of no less than 193°F (95°C) to avoid deformation or discoloration.

1. Affix the roll of butyl tape (included in the cooktop packaging) around the underside edge of the cooktop. Remove the butyl tape protective film.
2. Connect a propane supply line with a <sup>3</sup>/<sub>8</sub>" Flare Female connection to the cooktop in the upper left rear corner of the cabinet. Tighten the gas line joint to the cooktop using 2 wrenches.

**NOTE:** Make sure the gas supply pipe cannot contact any moving parts after installed. Be sure all openings in the cabinet around the gas line are sealed at time of installation.

- Place the cooktop into the cutout and verify that the cooktop is level from side to side and front to rear. Press on the cooktop edges to seal.

If installed with a Furrion range oven, refer to the separate range oven instruction manual about the cabinet constructions and range oven installation instructions.

## Gas Connection

Connect the cooktop to a designated gas supply line from the RV main gas line which runs externally under the RV floor. Do not use an existing gas connection inside the RV to supply two appliances.

Cooktop must be connected separately, each appliance must have separate isolation valves to render them independent from one another.

This cooktop can be used with Propane Gas only.

This cooktop is fitted with a gas supply hose with a  $\frac{3}{8}$ " female flare fitting with a  $\frac{5}{8}$ " - 18UNF thread connection. For installation use copper pipe and CSA or UL certified connectors which conform to USA and Canadian safety standards.

Ensure when cooktop is installed the flexible gas supply hose cannot touch any moving parts. Make sure adequate space is available so the supply pipe will not be bent or damage after

installation.

## Leak Check

### ⚠ WARNING

#### FIRE OR EXPLOSION

- Extinguish all open flames.
- NEVER leak test when smoking. Never use a flame.
- Do not use the appliance until connection has been leak tested and does not leak.
- Pressure/Leak test using 11-13.8 WC pressure.

### ⚠ WARNING

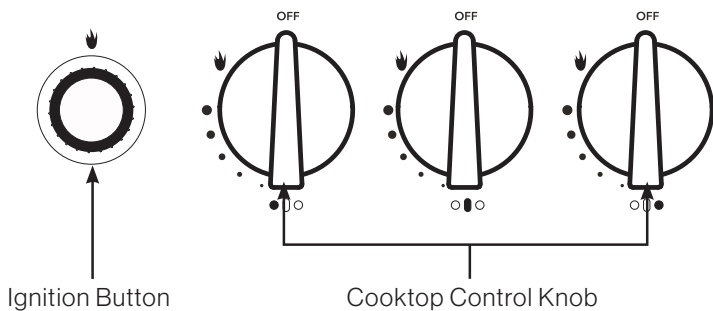
- Gas leaks may occur in your system and result in a dangerous situation. Always perform a leak test for possible leaks according to the manufacturer's instructions after installation and before any operation.
- Gas leaks may not be detected by smell alone. Gas suppliers recommend you purchase and install a UL approved gas detector.

- Make sure all control knobs are in the **OFF** position.
- Apply a gas leak detection liquid to the connections. Any gas leaks will be indicated by bubbles.
- If a gas leak is detected, tighten the loose joint, or replace the faulty part with a replacement part recommended by Furrion authorized retailer.

## Using your Cooktop

### ⚠ WARNING

- Keep your arms and face away from being directly above the cooking area while in operating the appliance.
- Do not attempt to light more than one burner at a time.



## Lighting the Cooktop

Before Ensure all the cooktop knobs are turned to **OFF** position. Check the gas supply valve at the gas tank is in **OPEN** position.

### Standard Ignition:

- Push and turn the desired cooktop knob counterclockwise to position.

- Keep the cooktop control knob being pushed in and press the ignition button repeatedly until the burner is lit.
- Keep the cooktop knob being pushed in for 10-15 seconds until the flame steady to disable the safety cut off.
- Turn the control knob clockwise or counterclockwise to the desired heat level. For simmer function, turn the control knob to the lowest setting.
- Repeat steps 1 to 4 to light the other burner(s).

### NOTES:

- This cooktop is fitted with a burner safety cut off, if a flame is not present, the gas supply will shut off automatically.
- If no spark is present when pressing the igniter, check or replace the AA battery by unscrewing the igniter cover. Never attempt to operate the appliance with battery power exhausted.

### If the burner does not ignite

This cooktop is fitted with a burner safety cut off, if a flame is not present, the gas supply will shut off automatically. In the event of failure to light the burner within 5 seconds, immediately turn the control knob clockwise to the **OFF** position. Wait at least 5 minutes and repeat the igniting procedure. If ignition still not occur, use a gas lighter or a match to light the burner. Refer to the '**Manual Ignition**' section.



## Manual Ignition:

### ⚠️ WARNING

Use care when lighting the burners by hand. If a burner lights unexpectedly, or your hand is too close to the burner, you could be burned.

In the event of failure to ignite the burner in standard ignition, you may light the burner manually by following the steps below:

1. Turn the appropriate burner control knob counterclockwise to the 🔥 position.
2. Immediately strike and place a burning long wooden match or a gas lighter near the burner to light.
3. Repeat steps 1 to 2 to light the other burner(s) as required.
4. Rotate the burner control knob to adjust the flame to desired level.

## If the Flame Goes Out

### ⚠️ WARNING

#### Risk of Fire!

If the flame goes out accidentally, gas will escape. Never leave the gas burner unattended during operation. Ensure that there are no drafts that can affect the burner flame.

Immediately turn the control knob to the **OFF** position. Wait at least 5 minutes and light the burner again.

## Turning Off the Cooktop

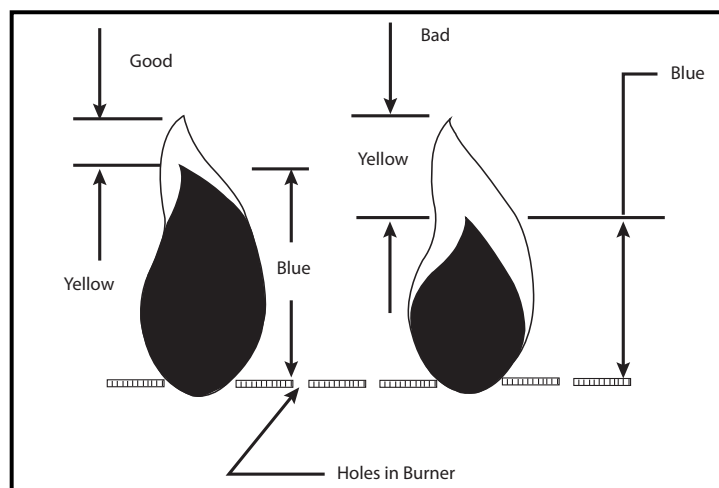
### ⚠️ WARNING

Always turn off the gas tank valve when refueling or traveling.

To turn the cooktop burners off, rotate the control knobs clockwise to the **OFF** position.

## The Burner Flame

Flames should appear similar to the good flame shown in diagram below.



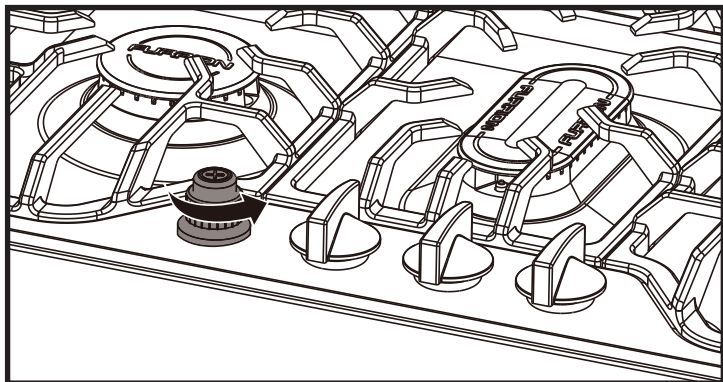
A good flame should be blue with a yellow tip. Some yellow tips on flames up to 1" (25.4mm) in length are acceptable as long as no carbon or soot deposits appear. If flames are excessively yellow and irregular, the oil residue may not be completely burned off, or the venturi may be clogged or may not be properly positioned over the orifices.

## Cleaning and Maintenance

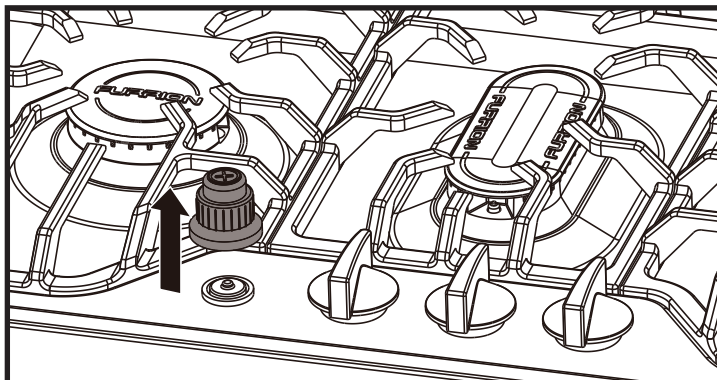
- Make sure all the control knobs are off and the appliance is cool before cleaning.
- Make sure all the appliance surfaces, burner grates and burners are cool before cleaning or disassembling.
- DO NOT use bleach or rust removers on the cooktop or burner grates.
- DO NOT obstruct the flow of combustion and ventilation air.
- Keep the appliance area clear of combustible materials, gasoline and other flammable vapors and liquids.
- Never use a wire brush or metallic item for cleaning burner ports or orifices. Brush may "shed" bristles that may lodge in the orifice or burner ports and cause a fire or explosion.
- Clean all surfaces as soon as possible after boilovers or spillovers.
- Use warm soapy water only to clean the burner grates, cooktops, painted surfaces, porcelain surfaces, stainless steel surfaces and plastic items on your range or cooktop. Do not use grit or acid-type cleaners. Do not use cleaners with ammonia. Cleaners of these types are corrosive and could damage component parts in the range.
- DO NOT use steel wool, or abrasive cleaners, or acid type cleaners such as chlorine bleach on your cooktop or grate systems. They will damage your range or cooktop. Use only non-abrasive plastic scrubbing pads.
- DO NOT allow foods containing acids (such as lemons or tomato juice, or vinegar) to remain on porcelain or painted surfaces. Acids may remove the glossy finish. Wipe up egg spills when cooktop is cool.
- DO NOT wash warm porcelain surfaces. Allow these areas to cool before cleaning. You could burn yourself or the porcelain could crack.
- Pitting and discoloration will result if spills are allowed to remain for any length of time on stainless steel.
- DO NOT allow spillovers to remain on the burner caps. The caps could become permanently stained.
- When cleaning around the burners, use care to prevent damage to the electrode (if so equipped). If a sponge or cloth should catch the metal igniter electrode, it could damage or break the electrode. If this occurs the burner will not light.

## Replace the Igniter Battery

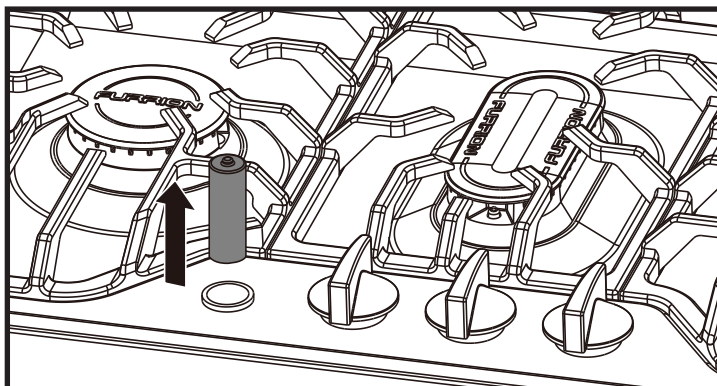
1. Unscrew igniter by twisting the lower collar of the button.



2. Remove the cover and remove the battery.



3. Replace the battery with a new AA size 1.5V battery.



## Storage

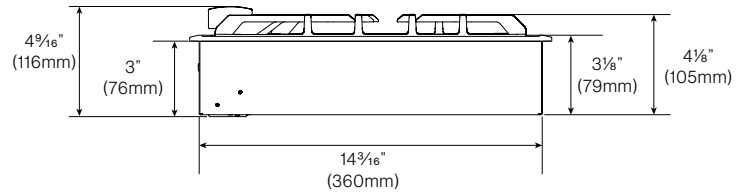
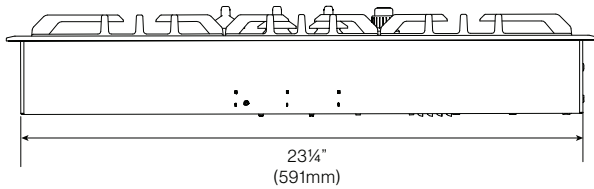
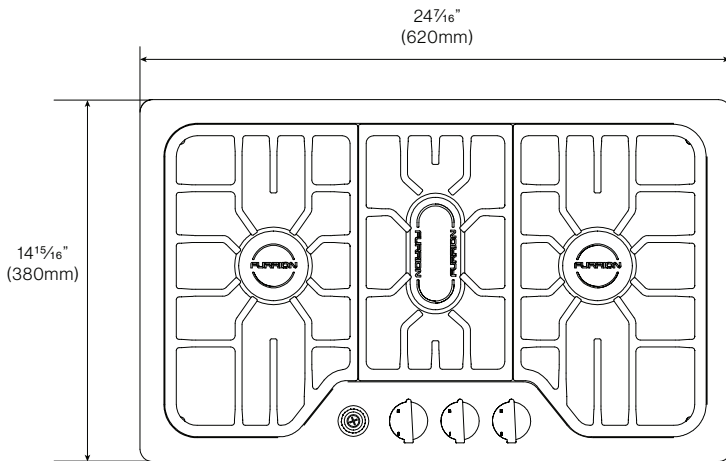
Dry all surfaces and burner box, then spray surfaces with cooking oil substance to preserve the surface from rusting during long term storage. Wipe off oil coating before reuse.

## Troubleshooting

Before calling for service, review this list. It may save you both time and expense. This list includes common experiences that are not the result of defective workmanship or material in your appliance.

Problem	Possible Cause/Solution
Burner will not light	Surface Control knob has not been completely turned to 🔥 position. Push in and turn the Surface Control knob to 🔥 position until burner ignites and then turn control to desired flame size.
	Ensure gas supply valve is open.
	Burner ports or slots are clogged. With the burner off, use a small-gauge wire or needle to clean ports or slots.
	Low gas supply level in LP tank. Verify there is sufficient LP in the supply tank.
	Battery power insufficient. You should hear a clicking sound when pressing on the igniter. To replace battery see page 9.
Surface burner flame burns half way around	Moisture is present on the burner, dry burner thoroughly.
	Burner ports or slots are clogged. With the burner off and the cooktop has cooled, clean ports with a small-gauge wire or needle to clean ports or slots.
	Moisture is present after cleaning. Lightly fan the flame and allow burner to operate until flame is full. Dry the burners thoroughly following instructions under " <b>Cleaning and Maintenance</b> " section.
Surface burner flame is orange.	Potential for dust particles in the main line. Allow the burner to operate for a few minutes. See page 8 for burner flame evaluation.
	In coastal areas, a slightly orange flame is unavoidable due to salt air.

# Specification



## Technical Specifications

<b>BTU/HR</b>	Central	2,000 BTU/HR Min., 7500 BTU/HR Max.
	Left & Right	1,800 BTU/HR Min., 7500 BTU/HR Max.
<b>Fuel / Power</b>	Propane (LP Gas)	
<b>Inlet pressure</b>	10" WC Min to 13.8" WC Max	
<b>Power input</b>	1.5V AA Battery	

This appliance conforms with the directives: ANSI Z21.57a-(2012) Rec / CAN1-1.16-M79 (R2011)

Merci d'avoir acheté ce produit Furrion®. Avant d'utiliser votre nouvel appareil, veuillez lire attentivement les présentes consignes. Le présent manuel d'instructions contient des consignes permettant une utilisation, une installation et un entretien de l'appareil en toute sécurité.

Veuillez conserver le présent manuel d'instructions en lieu sûr afin de pouvoir vous y référer ultérieurement. Cela garantit une utilisation en toute sécurité et réduit tout risque de blessures. Veuillez à transmettre le présent manuel à tout nouveau propriétaire de cet appareil.

Le fabricant décline toute responsabilité pour tous dommages résultant du non-respect des présentes consignes.

**AVERTISSEMENT : En cas de non-respect strict des consignes contenues dans le présent manuel, cela présente des risques d'incendie ou d'explosion susceptibles d'entraîner des dommages matériels, des blessures corporelles, voire la mort.**

- **Ne rangez pas ou n'utilisez pas d'essence ou d'autres vapeurs et liquides inflammables à proximité de cet appareil ou de tout autre appareil.**
- **QUE FAIRE SI VOUS SENTEZ UNE ODEUR DE GAZ :**
  - **Ne tentez d'allumer aucun appareil.**
  - **Ne touchez aucun interrupteur électrique.**
  - **N'utilisez aucun téléphone dans votre véhicule récréatif.**
  - **Faites évacuer le véhicule récréatif par tous ses occupants.**
  - **Fermez la soupape du contenant de GPL ou le contenant principal.**
  - **Appelez immédiatement votre fournisseur de gaz, qui vous donnera des instructions.**
  - **Si vous ne pouvez joindre votre fournisseur de gaz, appelez les services d'incendie.**
- **Faites vérifier le système de gaz, faites corriger la source de fuite par un installateur qualifié, par une agence d'entretien, par le fabricant, par le détaillant ou par le fournisseur de gaz.**

# Table des matières

<b>Table des matières</b> .....	<b>12</b>
<b>Explication des symboles</b> .....	<b>13</b>
<b>Consignes de sécurité importantes</b> .....	<b>13</b>
Mises en garde générales et consignes de sécurité .....	13
Sécurité de la surface de cuisson .....	14
<b>Présentation du produit</b> .....	<b>16</b>
<b>Installation</b> .....	<b>16</b>
Instructions de découpe du caisson .....	16
Contenu de l'emballage .....	17
Installation de la surface de cuisson .....	17
Raccordement au gaz .....	18
Test d'étanchéité .....	18
<b>Utilisation de votre surface de cuisson</b> .....	<b>18</b>
Allumage de la surface de cuisson .....	18
Si la flamme s'éteint .....	19
Arrêt de la surface de cuisson .....	19
La flamme du brûleur .....	19
<b>Nettoyage et entretien</b> .....	<b>20</b>
Remplacement de la pile .....	20
<b>Rangement</b> .....	<b>21</b>
<b>Dépannage</b> .....	<b>21</b>
<b>Caractéristiques</b> .....	<b>22</b>

## Explication des symboles

Le présent manuel contient des consignes de sécurité et des instructions visant à vous aider à éliminer ou à réduire tout risque d'accidents et de blessures. Respectez toujours tous les avertissements de sécurité indiqués par les symboles ci-après. Un terme de mise en garde indique des messages de sécurité ainsi que des messages signalant des risques de dommages matériels, et indique le degré ou le niveau de gravité du danger.

### **DANGER**

Indique une situation de danger immédiat qui, si elle n'est pas évitée, provoque des blessures graves, voire la mort.

### **AVERTISSEMENT**

Indique une situation de danger potentiel qui, si elle n'est pas évitée, peut provoquer des blessures graves, voire la mort.

### **ATTENTION**

Indique une situation de danger potentiel qui, si elle n'est pas évitée, peut provoquer des blessures corporelles mineures ou modérées ou des dommages matériels.

## Consignes de sécurité importantes

Les avertissements et les consignes de sécurité importantes figurant dans le présent guide n'ont pas vocation à couvrir toutes les conditions et situations possibles. Il convient de faire preuve de bon sens, de prudence et user de circonspection lors de l'installation, de l'entretien ou de l'utilisation de l'appareil.

Contactez toujours le fabricant en cas de dysfonctionnement de l'appareil.

Veillez lire et respecter toutes les consignes avant d'utiliser cet appareil, afin de prévenir tout risque potentiel d'incendie, d'électrocution, de blessures corporelles ou d'endommagement de l'appareil du fait d'une utilisation incorrecte de celui-ci. Utilisez cet appareil uniquement aux fins pour lesquelles il a été conçu, tel que décrit dans le présent guide.

En cas d'utilisation d'une source d'alimentation externe, l'appareil doit être mis à la terre conformément aux codes de l'État ou à tout autre code ou, en l'absence de tels codes, au code national d'électricité américain (NEC), ANSI/NFPA 70. Ne tentez pas de régler, de réparer, de réviser ou de remplacer une pièce de votre appareil, sauf recommandation expresse dans le présent guide. Tout autre entretien doit être confié à un technicien qualifié.

## Mises en garde générales et consignes de sécurité

### **AVERTISSEMENT**

- Toute installation, tout réglage, toute réparation ou tout entretien incorrect est susceptible d'entraîner des blessures, des dommages matériels, voire la mort. Veuillez consulter le présent manuel. Pour obtenir de l'aide ou des informations supplémentaires, consultez un installateur qualifié, un organisme de services, le fabricant ou le fournisseur de gaz.
- Évitez d'utiliser votre appareil ou tout autre appareil si vous sentez une odeur de gaz. Ne présumez pas que l'odeur de gaz dans votre VR est un phénomène normal. Chaque fois que vous détectez une odeur de gaz, celle-ci doit être considérée comme constituant un danger de mort et corrigée immédiatement. Éteignez toutes les flammes nues, y compris les cigarettes, puis évacuez du véhicule tous ses passagers. Fermez l'alimentation de gaz au robinet d'arrêt de la bouteille de GPL.
- Si l'utilisateur de cet appareil ne le conserve pas dans l'état dans lequel il a été expédié de l'usine ou si l'appareil n'est pas utilisé uniquement aux fins prévues ou si l'appareil n'est pas entretenu conformément aux instructions du présent manuel, cela peut entraîner un incendie ou une émission de monoxyde de carbone et causer des dommages matériels ou corporels, ainsi que des pertes de vie.

## **⚠ AVERTISSEMENT**

### **RISQUE D'EXPLOSION OU D'INCENDIE**

- Éteignez tous les appareils à gaz et les veilleuses avant de faire le plein de réservoirs d'essence ou de bouteilles de propane liquide, ou lors du déplacement du véhicule.
- Les appareils de cuisson à gaz Furrion doivent être utilisés exclusivement avec du gaz propane liquide et pour une installation dans des véhicules récréatifs uniquement (p. ex. des remorques de tourisme, des autocaravanes, des campeurs en tente, etc.).

## **⚠ AVERTISSEMENT**

### **INTOXICATION AU MONOXYDE DE CARBONE**

- N'utilisez PAS la cuisinière ou la surface de cuisson pour réchauffer le véhicule. Vous pourriez subir des brûlures ou des blessures, un incendie pourrait se déclarer ou vous risqueriez d'épuiser l'oxygène disponible dans le véhicule.
- Une fenêtre ou un orifice d'aération doit être légèrement ouvert(e) lors de l'utilisation d'un appareil de cuisson. Les flammes de gaz consomment de l'oxygène, qui doit être renouvelé afin d'assurer une combustion correcte.
- Ne rangez PAS ni n'utilisez d'essence ou d'autres vapeurs et liquides inflammables à proximité de cet appareil ou de tout autre appareil.
- N'utilisez PAS l'appareil s'il est endommagé ou ne fonctionne pas correctement.
- N'essayez jamais de réparer l'appareil vous-même. Toute réparation ou installation de cet appareil doit être effectuée par un installateur qualifié, par une agence d'entretien ou par le fournisseur de gaz et conformément aux instructions du présent manuel. Toute réparation et tout entretien de votre appareil par un technicien ou par une agence d'entretien non agréé(e) peut entraîner une perte de son intégrité ainsi que des dommages matériels, des blessures graves, voire la mort.
- Demandez à votre détaillant de vous montrer l'emplacement du robinet principal d'arrêt de gaz et comment le fermer en cas d'urgence.
- Utilisez votre appareil uniquement aux fins pour lesquelles il a été conçu.
- Il convient de faire savoir aux enfants que l'appareil n'est pas un jouet. Ils ne doivent pas être autorisés à jouer avec les commandes de l'appareil ou avec toute autre pièce de celui-ci. Ne laissez personne se tenir debout ou s'asseoir sur l'appareil. Cela peut non seulement endommager l'appareil, mais également entraîner des blessures corporelles.
- Ne rangez pas d'objets susceptibles d'intéresser les enfants dans les caissons situés au-dessus ou à proximité de l'appareil. Les enfants qui grimpent sur l'appareil pour atteindre des objets risquent de se blesser gravement.
- Tous les boutons de commande doivent être éteints lorsque l'appareil n'est pas utilisé. Il existe un risque d'incendie ou de brûlure si un brûleur est accidentellement laissé allumé.
- Si un brûleur s'éteint (après l'allumage initial ou à la suite d'une panne), éteignez tous les boutons du brûleur et attendez cinq (5) minutes avant de tenter de rallumer le

brûleur.

- Ne rangez PAS de matières inflammables sur, dans ou à proximité de l'appareil. Toute émanation est susceptible de créer des risques d'explosion et/ou d'incendie.
- Ne portez pas de vêtements amples ou à manches longues lorsque vous utilisez l'appareil. Si ceux-ci entrent en contact avec la flamme nue du brûleur, ils risquent de s'enflammer et de provoquer de graves brûlures.
- Utilisez uniquement des maniques sèches afin de retirer les récipients chauds. L'utilisation de maniques humides sur des surfaces chaudes peut provoquer des brûlures aux mains. N'utilisez pas de serviette ni de tissu volumineux en guise de manique. Le tissu pourrait entrer en contact avec une flamme nue et prendre feu.
- Ne chauffez jamais un contenant non ouvert. L'accumulation de pression dans le contenant est susceptible de provoquer son explosion.
- N'utilisez pas d'eau sur les feux de friture. Ne saisissez jamais une poêle en feu. Étouffez la poêle en feu à l'aide d'un couvercle ou d'une poêle plate. La graisse enflammée à l'extérieur de la poêle peut être éteinte à l'aide de bicarbonate de soude ou d'un extincteur à poudre chimique à usages multiples.
- Cet appareil est conçu pour être intégré dans une ossature de cuisson uniquement. Il n'a pas vocation à être fixé à la structure du VR.

## **Sécurité de la surface de cuisson**

- Ne placez pas les récipients sur une surface en verre. Soulevez le couvercle en position complètement ouverte avant d'utiliser les brûleurs. Attendez que la surface de cuisson refroidisse avant de fermer le couvercle en verre.
- Si la surface de cuisson est près d'une fenêtre, vous devez prendre les précautions nécessaires pour éviter que les rideaux ne tombent sur les brûleurs et ne favorisent un risque d'incendie.
- Maintenez la zone autour de la surface de cuisson propre et exempte de tout matériau combustible, essence ou autres vapeurs et liquides inflammables. Le non-respect de cette consigne peut provoquer une explosion ou un incendie.
- Ne laissez pas les enfants seuls ou sans surveillance dans les endroits où la surface de cuisson est utilisée. Les brûleurs, les grilles des brûleurs et autres endroits près des brûleurs deviennent suffisamment chauds pour causer de graves brûlures.
- Ne portez pas de vêtements amples ou à manches longues lorsque vous utilisez l'appareil. Si ceux-ci entrent en contact avec la flamme nue du brûleur, ils risquent de s'enflammer et de provoquer de graves brûlures.
- Utilisez uniquement des maniques sèches afin de retirer les récipients chauds. L'utilisation de maniques humides sur des surfaces chaudes peut provoquer des brûlures aux mains. N'utilisez pas de serviette ni de tissu volumineux en guise de manique. Le tissu pourrait entrer en contact avec une flamme nue et prendre feu.
- Ne chauffez jamais un contenant non ouvert. L'accumulation de pression dans le contenant est susceptible de provoquer son explosion.
- Conservez l'appareil propre. L'accumulation de graisse, l'ébullition ou le renversement d'aliments risquent de

provoquer un incendie.

- Tournez les poignées de la poêle vers l'intérieur ou vers l'arrière de la surface de cuisson, à l'écart des personnes qui se passent à proximité de la surface de cuisson et hors de la portée des enfants. Ne tournez pas les poignées de leur position initiale vers le dessus des brûleurs.
- N'utilisez pas d'eau sur les feux de friture. Ne saisissez jamais une poêle en feu. Éteignez la poêle en feu à l'aide d'un couvercle ou d'une poêle plate. La graisse enflammée à l'extérieur de la poêle peut être éteinte à l'aide de bicarbonate de soude ou d'un extincteur à poudre chimique à usages multiples.
- Ne laissez jamais le(s) brûleur(s) supérieur(s) sans surveillance.
  - Pour des raisons telles que les courants d'air descendants qui pourraient être créés par l'ouverture et la fermeture de portes des cuissons ou de portes dans le VR ou par des pressions d'air positives ou négatives affectant les brûleurs en raison d'une mauvaise installation. (Consultez la section Installation) Le brûleur risque de s'éteindre et le gaz pourrait s'échapper dans le VR. Gardez à l'esprit que le débit de gaz vers chaque brûleur est contrôlé manuellement, vous devez donc ACTIVER et DÉACTIVER le débit de gaz.
  - En cas de débordement, le déversement pourrait s'enflammer.
- Taille de la flamme
  - Ne faites jamais dépasser la flamme au-delà du bord extérieur de la poêle. Une flamme plus élevée constitue tout simplement un gaspillage de chaleur et d'énergie.
  - La taille correcte de la flamme est déterminée par la taille et le matériau de la poêle, par la nature de ce que vous cuisinez et par l'utilisation ou non de liquide.

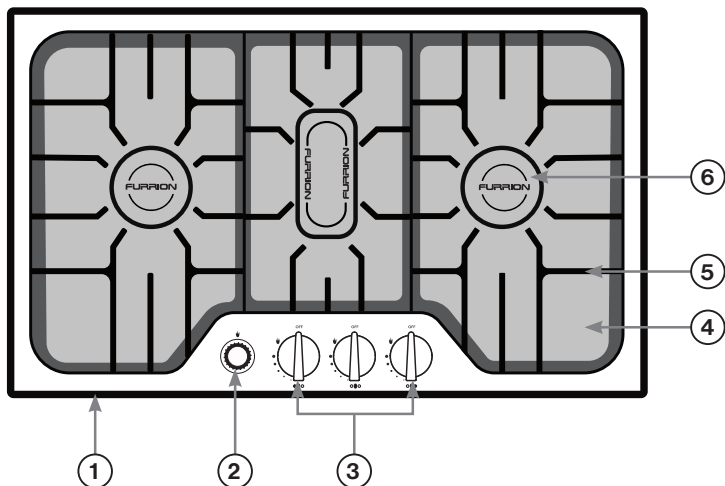


- Afin d'éviter d'endommager la surface de cuisson, les brûleurs ou la grille supérieure, ne faites jamais fonctionner un brûleur sans poêle en place. Les brûleurs, en particulier le brûleur de puissance élevée, ne doivent pas être utilisés en position élevée de fonctionnement pendant une longue période de temps. La position à haute intensité ne doit être utilisée que pour commencer la cuisson des aliments ou pour porter les liquides à ébullition, réduisez ensuite la flamme à une position inférieure pour continuer la cuisson. Utilisez la position de flamme basse pour maintenir les aliments au chaud. Gardez à l'esprit qu'une cuisinière à gaz chauffe plus vite qu'une cuisinière électrique, essayez en conséquence les différentes positions jusqu'à ce que vous soyez à l'aise avec la cuisson au gaz.

- N'utilisez jamais de récipients qui dépassent de plus d'un pouce la grille (taille maximale du récipient : 10 po de diamètre). Ne placez jamais le récipient de cuisson sur la grille au-dessus de deux brûleurs en fonctionnement. Cela produira une accumulation excessive de chaleur qui pourrait endommager la grille, le(s) brûleur(s) et la surface de cuisson.
- Vérifiez que l'alimentation en gaz est suffisante avant d'essayer d'allumer un brûleur. La présence d'air dans la conduite d'alimentation en gaz retardera considérablement l'allumage du brûleur. Un brûleur peut s'allumer de façon inattendue lorsque l'air dans la conduite s'évacue et est remplacé par du GPL. Cette combustion inopinée risque de provoquer des brûlures. Il est possible que de l'air soit infiltré dans la conduite d'alimentation lors du remplacement de la bouteille de gaz du véhicule, au cours de l'entretien des autres appareils à gaz, etc.
- NE touchez PAS les brûleurs, les grilles des brûleurs ou tout autre endroit près des brûleurs durant et après l'utilisation. Ne laissez pas des vêtements ou d'autres matériaux inflammables entrer en contact avec les brûleurs ou les zones proches des brûleurs avant que ceux-ci aient eu suffisamment de temps pour refroidir.
- Assurez-vous que les récipients que vous utilisez sont assez grands pour retenir les aliments et éviter les ébullitions et les débordements. Les éclaboussures ou débordements abondants laissés sur la surface de cuisson risquent de s'enflammer et de vous brûler.
- Assurez-vous que les récipients de cuisson en verre peuvent être utilisés en toute sécurité sur la surface de cuisson. Seuls certains types de récipients en verre peuvent être utilisés sur les résistances ou les brûleurs sans se casser en raison des changements soudains de température.
- La graisse est inflammable. Ne laissez jamais la graisse s'accumuler autour des brûleurs ou sur la surface de cuisson. Essuyez immédiatement les débordements.
- Faites preuve de prudence lorsque vous allumez un brûleur à la main. Il existe un risque de brûlure si le brûleur s'allume de façon inattendue ou si votre main se trouve près du brûleur.
- NE laissez PAS tomber les poêles sur la surface en émail. Cela peut entraîner des fissures ou des écailles sur la surface en émail.
- NE laissez PAS un récipient vide ni un récipient qui a bouilli à sec sur un brûleur chaud. Le récipient risque de surchauffer, ce qui pourrait endommager le récipient ou l'appareil de cuisson.



# Présentation du produit



Article	Description
①	Plaque signalétique du produit (en bas de la surface de cuisson)
②	Bouton d'allumage
③	Bouton de commande
④	Surface de cuisson
⑤	Grille du brûleur
⑥	Brûleur de surface (grand)

# Installation

## ⚠ AVERTISSEMENT

### INCENDIE, EXPLOSION, BLESSURE PAR BRÛLURE, INTOXICATION AU MONOXYDE DE CARBONE

- L'appareil de cuisson doit être complètement séparé et isolé des autres dispositifs de circulation d'air ou de consommation d'air tels que, mais sans s'y limiter, les fournaies, les fours à micro-ondes, les sècheuses, les ventilateurs de refroidissement et les portes ou tiroirs des caissons communs. Le non-respect de cette consigne affectera l'alimentation en air de combustion de l'appareil ou des appareils en créant un courant d'air négatif ou positif.
- Le TIRAGE NÉGATIF causé par le déplacement de l'air des appareils électroménagers peut aspirer la flamme supérieure du brûleur vers la surface de cuisson, ce qui peut la détériorer ou la brûler, causer une explosion ou une accumulation de monoxyde de carbone ou causer l'apparition d'un risque d'explosion ou l'endommagement de la surface de cuisson.
- Le TIRAGE POSITIF peut éteindre la flamme du brûleur durant l'utilisation, ce qui peut entraîner un risque d'explosion et d'incendie ou de blessures pour les occupants du véhicule.
- N'utilisez PAS l'appareil par vent excessif, car cela pourrait causer un tirage négatif ou positif.

## ⚠ AVERTISSEMENT

L'installation de cet appareil doit être effectuée conformément aux instructions écrites fournies dans ce manuel. Aucun agent, représentant ou employé de Furrion ou d'autres personnes n'a le pouvoir de changer, modifier ou renoncer à toute disposition des instructions contenues dans ce manuel.

L'installation doit satisfaire aux prescriptions des codes

locaux ou, en l'absence de tels codes, consultez la dernière édition de :

Aux États-Unis :

- Standard for Recreational Vehicles NFPA 1192
- National Fuel Gas Code ANSI Z223.1/NFPA 54

Au Canada, l'installation doit satisfaire aux prescriptions des :

- Norme CAN/CSA Z-240.4.2-08, Exigences relatives à l'installation des appareils et équipements au propane dans les véhicules récréatifs
- Tout code ou règlement local en vigueur

## Instructions de découpe du caisson

Pour un fonctionnement satisfaisant de votre appareil de cuisson, le caisson doit être correctement disposé et centré par rapport au dessus du plan de travail et à la façade de l'armoire.

Pour un fonctionnement satisfaisant de l'appareil, le caisson doit être à niveau et le bas de la plate-forme doit être bien soutenu.

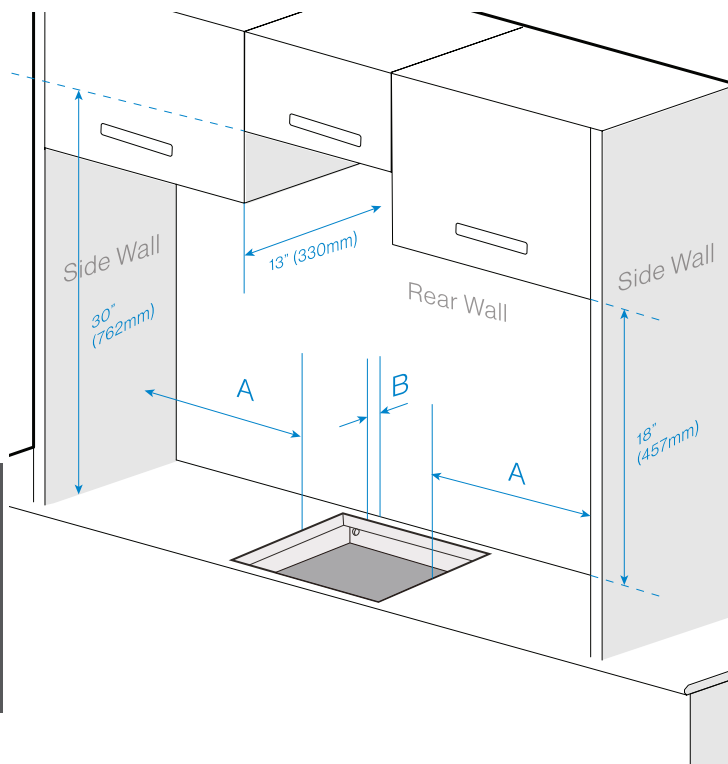
**REMARQUES :** Lors de la planification de l'emplacement, prenez en compte la possibilité de présence des rideaux ou d'autres matériaux combustibles autour de l'appareil afin de ne pas provoquer d'incendie.

Les distances horizontales minimales entre les côtés et l'arrière de l'appareil et les murs éventuellement combustibles verticaux adjacents s'étendant au-dessus du panneau supérieur :

Article	Dimension
A	Mini. 2 po (51 mm)
B	Mini. 2 po (51 mm)

**REMARQUE :** Ces distances doivent être calculées à partir

de la découpe du plan de travail.



Français

C	14 $\frac{3}{8}$ po (365 mm)
D	23 $\frac{1}{2}$ po (597 mm)
E	4 po (102 mm)
F	1 $\frac{15}{16}$ po (50 mm)
G	3 $\frac{15}{16}$ po (100 mm)
H	3 $\frac{3}{8}$ po (85 mm)

## Contenu de l'emballage

Assurez-vous d'avoir reçu l'intégralité des articles dans l'emballage tel qu'indiqué ci-après. En cas d'article(s) manquant(s), contactez votre détaillant.

- Cuisinière à gaz simple en acier inoxydable
- Tuyau flexible d'alimentation en gaz avec raccord évasé femelle de  $\frac{3}{8}$  po avec raccord fileté de  $\frac{5}{8}$  po -18UNF
- Ruban de butyle
- Une pile AA
- Manuel d'utilisation
- Dépliant de garantie

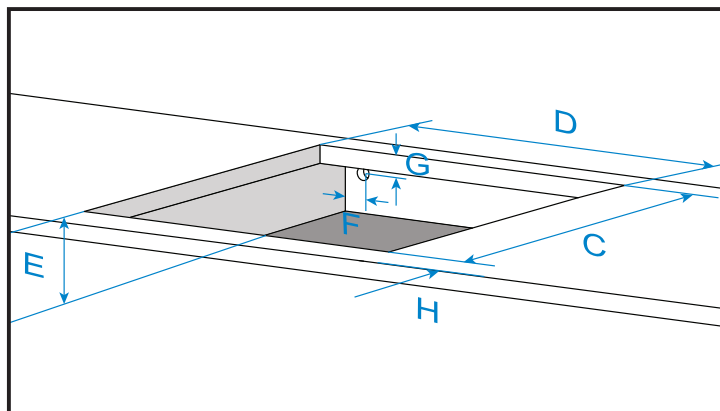
## Installation de la surface de cuisson

### ⚠ AVERTISSEMENT

La distance verticale minimale par rapport aux matériaux combustibles au-dessus du plan de cuisson de la cuisinière est de 30 po (762 mm), à condition que le plafond ne s'élève pas à 13 po (330 mm) du mur arrière.

**REMARQUE :** En cas d'installation d'une hotte de cuisinière ou d'une combinaison hotte et four à micro-ondes au-dessus de la surface de cuisson, suivez les instructions d'installation de la hotte de cuisinière ou de la combinaison hotte et four à micro-ondes pour les dimensions des espaces de dégagement au-dessus de la surface de la cuisinière.

Tableau des découpes de caisson et de plan de travail :



### ⚠ AVERTISSEMENT

Le tuyau d'alimentation en gaz doit être installé à distance de tout contact avec des couteaux ou objets coupants. Il en va de même pour les conduites de gaz.

**IMPORTANT :** Avant de fixer la surface de cuisson au caisson, assurez-vous de la présence d'un trou de ventilation pour la circulation de l'air autour de la surface de cuisson à l'intérieur du caisson. L'emplacement du trou de ventilation peut être situé à l'arrière, sur les côtés ou au fond du caisson. Le diamètre minimal est de 2 po (50 mm). Le dégagement entre le fond de la surface de cuisson et les matériaux combustibles est d'au moins 1 po (25,4 mm). Assurez-vous que le plan de travail, les matériaux environnants et les agents liants ont une température nominale d'au moins 193 °F (95 °C) afin d'éviter la déformation ou la décoloration de la surface.

1. Fixez le rouleau de ruban de butyle (inclus dans l'emballage de la surface de cuisson) sur le bord inférieur de la surface de cuisson et retirez le film protecteur du ruban de butyle.
2. Raccordez une conduite d'alimentation au propane à l'aide d'un raccord évasé femelle  $\frac{3}{8}$  po à la surface de cuisson dans le coin supérieur gauche arrière du caisson. Serrez le joint de la conduite de gaz à la surface de cuisson à l'aide de deux clés.

- REMARQUE :** Assurez-vous que la conduite d'alimentation en gaz ne peut entrer en contact avec aucune pièce mobile après l'installation. Assurez-vous que toutes les ouvertures dans le caisson entourant la conduite de gaz sont scellées au moment de l'installation.
3. Placez la surface de cuisson dans la découpe et vérifiez si elle est à niveau d'un côté à l'autre et d'avant en arrière. Appuyez sur les bords de la surface de cuisson pour la sceller.

Si l'appareil est installé avec un four de cuisinière Furrion,

consultez le manuel d'instructions du four autonome de cuisinière pour en savoir plus sur la disposition des caissons et les instructions d'installation du four de cuisinière.

## Raccordement au gaz

Raccordez la surface de cuisson à une conduite d'alimentation en gaz désignée à partir de la conduite de gaz principale du VR qui passe à l'extérieur sous le plancher du VR. N'utilisez pas un raccord de gaz existant à l'intérieur du VR pour alimenter deux appareils.

La surface de cuisson doit être raccordée séparément, chaque appareil doit être muni de vannes d'isolation séparées pour les rendre indépendants l'un de l'autre. Cette surface de cuisson ne peut être utilisée qu'avec du gaz propane.

Cette surface de cuisson est munie d'un tuyau d'alimentation en gaz avec un raccord évasé femelle de  $\frac{3}{8}$  po et avec un raccord fileté de  $\frac{5}{8}$  po -18UNF. Il est recommandé d'utiliser des tuyaux en cuivre et des raccords certifiés CSA ou UL conformes aux normes de sécurité américaines et canadiennes.

Assurez-vous que lorsque la surface de cuisson est installée, le tuyau flexible d'alimentation en gaz ne soit en contact avec aucune pièce mobile. Assurez-vous qu'il existe suffisamment d'espace pour que le tuyau d'alimentation ne soit pas plié ou endommagé après l'installation.

## Test d'étanchéité

### ⚠ AVERTISSEMENT

#### INCENDIE OU EXPLOSION

- Éteignez toutes les flammes nues.
- N'effectuez JAMAIS un test d'étanchéité lorsque vous fumez. N'utilisez jamais de flamme.
- N'utilisez pas l'appareil avant d'avoir vérifié l'étanchéité du raccord et de vous assurer qu'il ne fuit pas.
- Effectuez un test de pression et d'étanchéité avec une pression comprise entre 11 et 13,8 WC.

### ⚠ AVERTISSEMENT

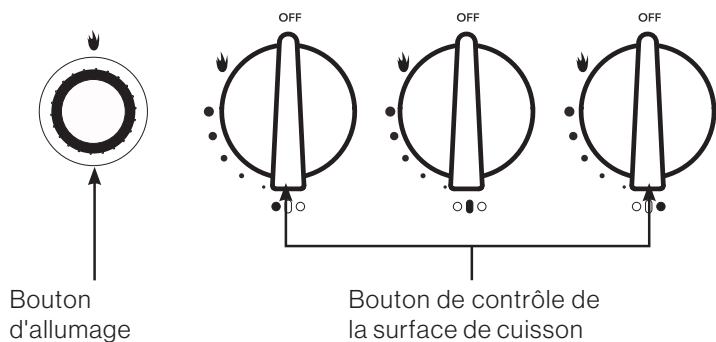
- Des fuites de gaz peuvent se produire dans votre système et entraîner une situation dangereuse. Effectuez toujours un test d'étanchéité pour détecter d'éventuelles fuites, conformément aux instructions du fabricant, après l'installation et avant toute utilisation.
- Il est possible que les fuites de gaz ne soient pas détectées uniquement par l'odeur. Les fournisseurs de gaz vous recommandent d'acheter et d'installer un détecteur de gaz approuvé UL.

1. Assurez-vous que tous les boutons de commande sont en position « **OFF** » (Désactivé).
2. Appliquez sur les raccords un liquide de détection des fuites de gaz. Toute fuite de gaz sera signalée par des bulles.
3. En cas de fuite de gaz, resserrez le joint desserré ou remplacez la pièce défectueuse par une pièce de rechange recommandée par un détaillant agréé Furrion.

## Utilisation de votre surface de cuisson

### ⚠ AVERTISSEMENT

- Ne placez pas vos bras et votre visage directement au-dessus de la zone de cuisson durant le fonctionnement de l'appareil.
- N'essayez pas d'allumer plus d'un brûleur à la fois.




Bouton d'allumage

Bouton de contrôle de la surface de cuisson

## Allumage de la surface de cuisson

Avant, assurez-vous que tous les boutons de la surface de cuisson sont en position **OFF** (Désactivé). Vérifiez que le robinet d'alimentation en gaz du réservoir de gaz est en position **OPEN**.

### Allumage standard :

1. Poussez et tournez le bouton de la surface de cuisson de votre choix dans le sens inverse des aiguilles d'une montre vers la position .
2. Maintenez le bouton de commande de la surface de cuisson enfoncé et appuyez plusieurs fois sur le bouton d'allumage jusqu'à ce que le brûleur soit allumé.
3. Maintenez le bouton de la surface de cuisson enfoncé pendant 10 à 15 secondes jusqu'à ce que la flamme se stabilise pour désactiver l'arrêt de sécurité.
4. Tournez le bouton de commande dans le sens des aiguilles d'une montre ou dans le sens inverse des aiguilles d'une montre jusqu'au niveau de chauffage souhaité. Pour la fonction de mijotage, tournez le bouton de commande à la position la plus basse.
5. Répétez les étapes 1 à 4 pour allumer le ou les autres brûleurs.

### REMARQUES :

- Cette surface de cuisson est munie d'un interrupteur de sécurité du brûleur ; en l'absence de flamme, l'alimentation en gaz s'arrête automatiquement.
- Si aucune étincelle n'est produite lorsque vous appuyez sur l'allumeur, vérifiez ou remplacez la pile AA en dévissant le couvercle de l'allumeur. N'essayez jamais de faire fonctionner l'appareil avec une pile déchargée.

## Si le brûleur ne s'allume pas

Cette surface de cuisson est munie d'un interrupteur de sécurité du brûleur ; en l'absence de flamme, l'alimentation en gaz s'arrête automatiquement. Si le brûleur ne s'allume pas dans un délai de 5 secondes, tournez immédiatement le bouton de commande dans le sens des aiguilles d'une montre jusqu'en position **OFF** (Désactivé). Attendez au moins 5 minutes et répétez le processus d'allumage. Si l'allumage ne se produit toujours pas, utilisez un briquet à gaz ou une allumette pour allumer le brûleur. Consultez la section « **Allumage manuel** ».

### Allumage manuel :

#### ⚠ AVERTISSEMENT

Soyez prudent lorsque vous allumez les brûleurs à la main. Il existe un risque de brûlure si le brûleur s'allume de façon inattendue ou si votre main se trouve près du brûleur.

En cas d'échec de l'allumage du brûleur en allumage standard, vous pouvez allumer le brûleur manuellement en suivant les étapes ci-dessous :

1. Tournez le bouton de commande du brûleur approprié dans le sens inverse des aiguilles d'une montre jusqu'à la position **⬇**.
2. Allumez immédiatement une longue allumette en bois ou un briquet à gaz près du brûleur pour l'allumer.
3. Répétez les étapes 1 à 2 pour allumer le(s) autre(s) brûleur(s) au besoin.
4. Tournez le bouton de commande du brûleur pour régler la flamme au niveau souhaité.

## Si la flamme s'éteint

#### ⚠ AVERTISSEMENT

##### Risque d'incendie!

Le gaz s'échappe si la flamme s'éteint accidentellement. Ne laissez jamais le brûleur à gaz sans surveillance au cours du fonctionnement. Assurez-vous que les courants d'air ne peuvent pas affecter la flamme du brûleur.

Tournez le bouton de commande sur la position **OFF** (Désactivé). Attendez au moins 5 minutes et rallumez le brûleur.

## Arrêt de la surface de cuisson

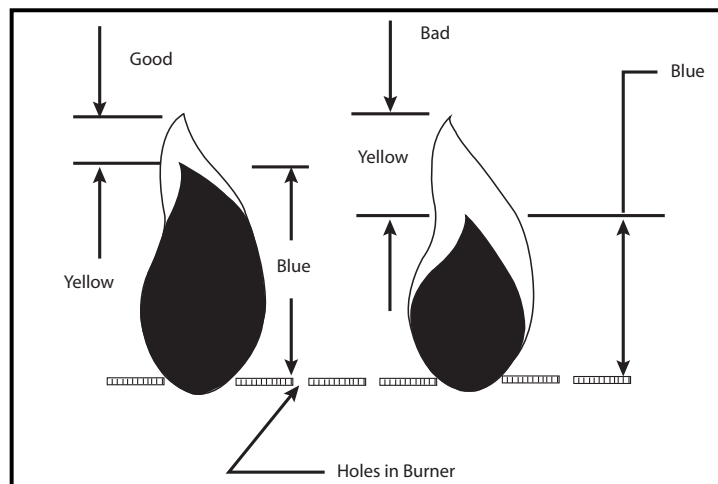
#### ⚠ AVERTISSEMENT

Fermez toujours le robinet du réservoir de gaz lorsque vous faites le plein ou que vous êtes en déplacement.

Pour éteindre les brûleurs de la surface de cuisson, tournez les boutons de commande dans le sens des aiguilles d'une montre jusqu'en position **OFF** (Désactivé).

## La flamme du brûleur

Les flammes doivent ressembler à la flamme correcte montrée dans le diagramme ci-dessous.



Une flamme correcte doit être bleue avec une pointe jaune. Certaines pointes jaunes sur des flammes allant jusqu'à 1 po (25,4 mm) de longueur sont acceptables tant qu'aucun dépôt de carbone ou de suie n'apparaît.

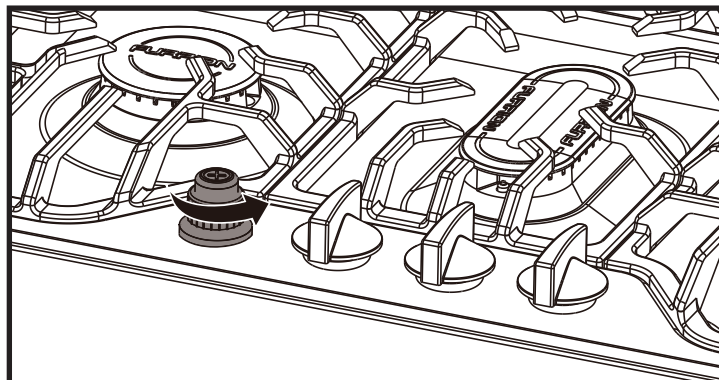
Si les flammes sont excessivement jaunes et irrégulières, il se peut que les résidus d'huile ne soient pas complètement brûlés, que le venturi soit bouché ou qu'il ne soit pas correctement positionné sur les orifices.

# Nettoyage et entretien

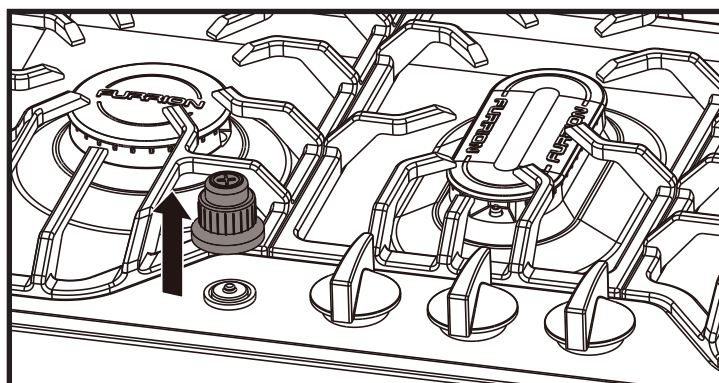
- Assurez-vous que tous les boutons de commande sont éteints et que l'appareil est froid avant de le nettoyer.
- Assurez-vous que toutes les surfaces de l'appareil, les grilles du brûleur et les brûleurs sont froids avant de les nettoyer ou de les démonter.
- N'utilisez PAS d'agent de blanchiment ou d'antirouille sur la surface de cuisson ou sur les grilles du brûleur.
- N'obstruez PAS le flux d'air de combustion et de ventilation.
- Maintenez l'appareil à l'écart des matières combustibles, de l'essence et autres vapeurs et liquides inflammables.
- N'utilisez jamais de brosse métallique ou d'objet métallique pour nettoyer les orifices des brûleurs. La brosse risque de « perdre » des poils qui pourraient se glisser dans l'orifice ou les orifices du brûleur et provoquer un incendie ou une explosion.
- Nettoyez toutes les surfaces dès que possible après des débordements.
- N'utilisez de l'eau chaude savonneuse que pour nettoyer les grilles de brûleur, les surfaces de cuisson, les surfaces peintes, les surfaces en émail, les surfaces en acier inoxydable et les articles en plastique sur votre cuisinière ou votre surface de cuisson. N'utilisez pas de nettoyeurs à base de sable ou d'acide. N'utilisez pas de nettoyeurs contenant de l'ammoniaque. Les nettoyeurs de ce type sont corrosifs et peuvent endommager les composants de la cuisinière.
- N'utilisez PAS de la laine d'acier, des nettoyeurs abrasifs ou des nettoyeurs de type acide comme l'eau de Javel sur votre surface de cuisson ou vos systèmes à grille. Ces produits endommageront votre cuisinière ou votre surface de cuisson. Utilisez uniquement des tampons à récurer non abrasifs en plastique.
- NE laissez PAS des aliments contenant des acides (notamment du citron, du jus de tomate ou du vinaigre) sur des surfaces en émail ou sur des surfaces peintes. Les acides sont susceptibles de retirer le fini brillant. Essayez les œufs renversés lorsque la surface de cuisson est froide.
- NE lavez PAS les surfaces en émail tièdes. Laissez refroidir ces zones avant de les nettoyer. Vous risquez des brûlures ou l'émail pourrait craqueler.
- De la corrosion par piqûres et de la décoloration sont susceptibles de survenir si vous laissez des déversements en l'état pendant un certain temps sur de l'acier inoxydable.
- NE laissez PAS de débordements rester sur les chapeaux de brûleurs. Lesdits chapeaux pourraient être tachés de façon permanente.
- Lorsque vous nettoyez autour des brûleurs, veillez à ne pas endommager l'électrode (le cas échéant). Si une éponge ou un chiffon se raccroche à l'électrode métallique de l'allumeur, cela est susceptible de l'endommager ou de la casser. Si cela se produit, le brûleur ne s'allumera pas.

## Remplacement de la pile

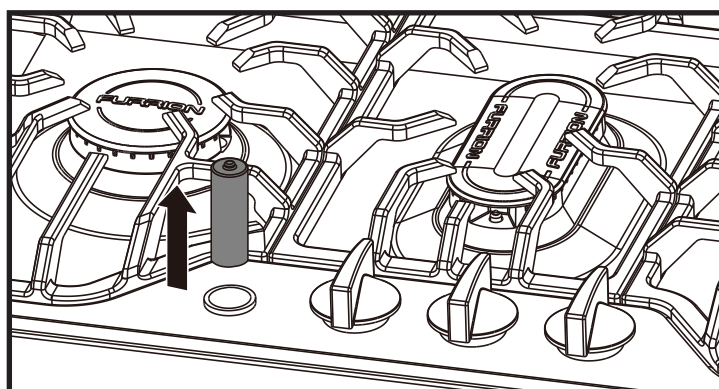
1. Dévissez l'allumeur en tournant le col inférieur du bouton.



2. Retirez le couvercle et enlevez la pile.



3. Remplacez la pile par une nouvelle pile AA de 1,5 V.



# Rangement

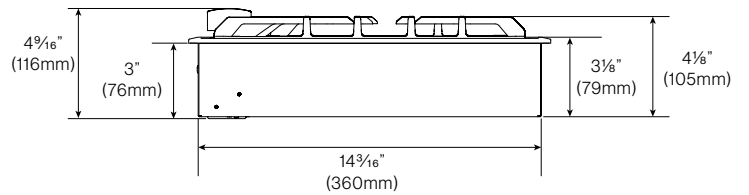
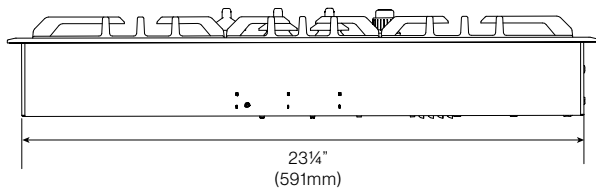
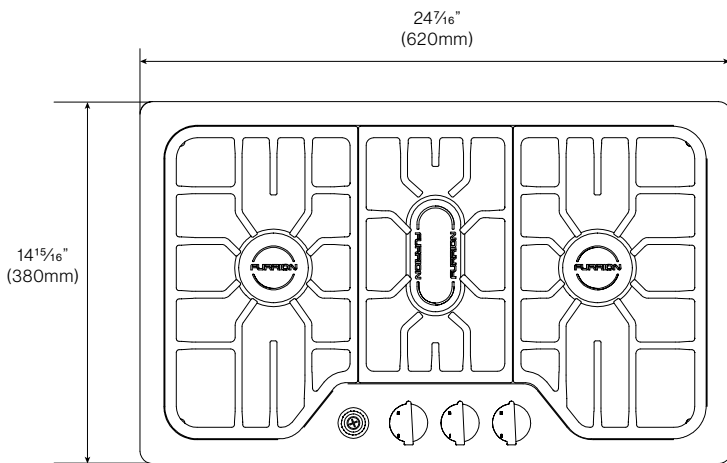
Séchez toutes les surfaces ainsi que le boîtier du brûleur, puis pulvérisez une substance à base d'huile alimentaire sur les surfaces afin de prévenir toute formation de rouille sur celles-ci en cas de rangement prolongé. Essuyez la couche d'huile avant toute nouvelle utilisation.

# Dépannage

Avant de faire appel au service technique, veuillez consulter la liste ci-après. Cette démarche peut vous faire gagner du temps et économiser de l'argent. Cette liste répertorie les expériences courantes qui ne résultent pas d'un défaut de fabrication ou d'un matériau défectueux dans votre appareil.

Problème	Cause/Solution possible
Le brûleur ne s'allume pas	Le bouton de commande n'a pas été complètement mis en position 🔥. Poussez et tournez le bouton de contrôle de surface en position 🔥 jusqu'à ce que le brûleur s'allume, puis tournez le contrôle à la taille de flamme désirée.
	Assurez-vous que le robinet d'alimentation en gaz est ouvert.
	Les orifices ou fentes du brûleur sont bouchés. Le brûleur étant éteint, utilisez un fil ou une aiguille de petit calibre pour nettoyer les orifices ou les fentes.
	Le niveau d'alimentation en gaz dans le réservoir de GPL est faible. Vérifiez que le réservoir d'alimentation contient suffisamment de GPL.
	La puissance de la pile est insuffisante. Vous devriez entendre un cliquetis lorsque vous appuyez sur l'allumeur. Pour remplacer la pile, consultez la page 9.
La flamme du brûleur brûle à mi-hauteur	L'humidité est présente sur le brûleur, bien sécher le brûleur.
	Les orifices ou fentes du brûleur sont bouchés. Lorsque le brûleur est éteint et que la surface de cuisson est refroidie, nettoyez les orifices et les fentes avec un fil ou une aiguille de petit calibre.
	L'humidité est présente après le nettoyage. Aérez légèrement la flamme et permettez au brûleur de fonctionner jusqu'à ce que la flamme soit au maximum. Essayez soigneusement les brûleurs en suivant les instructions de la section « <b>Nettoyage et entretien</b> ».
La flamme du brûleur est orange.	Présence potentielle de particules de poussière dans la conduite principale. Laissez le brûleur fonctionner pendant quelques minutes. Consultez la page 8 pour l'évaluation de la flamme du brûleur.
	Dans les zones côtières, une flamme légèrement orangée est inévitable en raison de l'air salin.

# Caractéristiques



## Caractéristiques techniques

<b>BTU/HR</b>	Au niveau central	min. 2 000 BTU/h., max. 7 500 BTU/h.
	Gauche et droit	min. 1 800 BTU/h., max. 7 500 BTU/h.
<b>Carburant / Électricité</b>	Propane (GPL)	
<b>Pression d'entrée</b>	min. 10 po WC, max. 13,8 po WC	
<b>Entrée d'alimentation</b>	Pile 1,5 V AA	

Cet appareil est conforme aux directives suivantes : ANSI Z21.57a-(2012) Rec/CAN1-1.16-M79 (R2011)

Gracias por comprar este producto de Furrion®. Antes de usar su nuevo electrodoméstico, lea atentamente estas instrucciones. Este manual de instrucciones contiene información relativa al uso seguro, a la instalación y al mantenimiento del electrodoméstico.

Guarde este manual de instrucciones en un lugar seguro para usarlo como referencia a futuro. Esto garantizará un uso seguro y reducirá el riesgo de lesiones. Asegúrese de entregar este manual a los nuevos propietarios del electrodoméstico.

El fabricante no acepta responsabilidad por daños provocados por no seguir estas instrucciones.

**ADVERTENCIA: Si no se sigue exactamente la información de este manual, puede producirse un incendio o una explosión que provoque daños materiales, lesiones personales o la muerte.**

- **No almacene ni utilice gasolina u otros vapores y líquidos inflamables cerca de este o cualquier otro electrodoméstico.**
- **QUE DEBE HACER SI HAY OLOR A GAS:**
  - **No intente encender ningún electrodoméstico.**
  - **No toque ningún interruptor eléctrico.**
  - **No utilice ningún teléfono en su casa rodante.**
  - **Evacúe a todos los ocupantes de la casa rodante.**
  - **Cierre la válvula del contenedor de gas o el contenedor principal.**
  - **Llame inmediatamente a su proveedor de gas para obtener instrucciones.**
  - **Si no puede comunicarse con su proveedor de gas, llame al departamento de bomberos.**
- **Haga revisar el sistema de gas y solucione la fuga con un instalador cualificado, una agencia de servicio, un fabricante, un distribuidor o el proveedor de gas.**



# Índice

<b>Índice</b> .....	<b>24</b>
<b>Explicación de los símbolos</b> .....	<b>25</b>
<b>Instrucciones de seguridad importantes</b> .....	<b>25</b>
Advertencias generales de seguridad .....	25
Seguridad del anafe.....	26
<b>Resumen del producto</b> .....	<b>28</b>
<b>Instalación</b> .....	<b>28</b>
Instrucciones de corte para el armario .....	28
Contenido.....	29
Instalación del anafe.....	29
Conexión de gas .....	29
Verificación de fugas.....	30
<b>Uso del anafe</b> .....	<b>30</b>
Encendido del anafe.....	30
Si se apaga la llama .....	31
Apagado del anafe .....	31
La llama del quemador .....	31
<b>Limpieza y Mantenimiento</b> .....	<b>31</b>
Cambio de la batería del encendedor .....	32
<b>Almacenamiento</b> .....	<b>33</b>
<b>Resolución de problemas</b> .....	<b>33</b>
<b>Especificaciones</b> .....	<b>34</b>

## Explicación de los símbolos

Este manual tiene información de seguridad e instrucciones para ayudarle a eliminar o reducir el riesgo de accidentes y lesiones. Respete siempre todas las advertencias de seguridad identificadas con estos símbolos. Una palabra de aviso identificará los mensajes de seguridad y de daños a la propiedad, e indicará el grado o nivel de gravedad del peligro.

### PELIGRO

Indica una situación peligrosa que, de no evitarse, provocará la muerte o lesiones graves.

### ADVERTENCIA

Indica una situación potencialmente peligrosa que, de no evitarse, podría provocar la muerte o lesiones graves.

### PRECAUCIÓN

Indica una situación potencialmente peligrosa que, de no evitarse, podría provocar lesiones personales menores o moderadas, o bien daño a la propiedad.

## Instrucciones de seguridad importantes

Las advertencias e instrucciones de seguridad importantes que aparecen en esta guía no están hechas para cubrir todas las posibles condiciones situaciones que puedan ocurrir. Se debe usar el sentido común, la precaución y el cuidado en todo momento al instalar, mantener y usar el electrodoméstico.

Contacte siempre al fabricante en torno a problemas o condiciones que no comprenda.

Lea y siga todas las instrucciones antes de usar este electrodoméstico para prevenir el riesgo potencial de incendio, descarga eléctrica, lesiones personales o daños al electrodoméstico como resultado de un uso inadecuado del mismo. Utilice el electrodoméstico únicamente para el uso previsto, tal y como se describe en esta guía.

Si se utiliza una fuente eléctrica externa, el electrodoméstico debe estar conectado a tierra de acuerdo con las normas del estado u otros códigos o, en ausencia de dichas normas, con el Código Eléctrico Nacional, ANSI/NFPA 70. No intente ajustar, reparar, realizar el mantenimiento o reemplazar ninguna pieza de su electrodoméstico a menos que se recomiende específicamente en esta guía. Todas las demás reparaciones deben ser realizadas por un técnico de servicio cualificado.

## Advertencias generales de seguridad

### ADVERTENCIA

- Una instalación, ajuste, servicio o mantenimiento inadecuados pueden provocar lesiones, daños materiales o la muerte. Consulte este manual. Para obtener asistencia o información adicional, consulte a un instalador cualificado, a una agencia de servicio, al fabricante o al proveedor de gas.
- Evite utilizar su electrodoméstico o cualquier otro aparato si hay olor a gas. No suponga que el olor a gas en su casa rodante es normal. Cada vez que usted detecte olor a gas, debe considerarse como una amenaza con riesgo de vida y se debe corregir inmediatamente. Apague cualquier llama abierta, incluidos los cigarrillos, y evacúe a todas las personas del vehículo. Cierre el suministro de gas en el tanque de gas.
- Si el usuario de este electrodoméstico no lo mantiene en el estado en que fue enviado de fábrica o si el aparato no se utiliza exclusivamente para el uso previsto o si el aparato no se mantiene de acuerdo con las instrucciones de este manual, existe el riesgo de que se produzca un incendio y/o que se genere monóxido de carbono que pueda causar lesiones personales, daños materiales o víctimas mortales.

### ADVERTENCIA

#### EXPLOSIÓN O INCENDIO

- Apague todos los aparatos de gas y las luces piloto cuando reabastezca los tanques de gasolina o gas o cuando el vehículo esté en movimiento.
- Los electrodomésticos de cocción a gas Furrion se utilizan únicamente con gas licuado de petróleo y se instalan únicamente en vehículos recreativos (por ejemplo, remolques de viaje, autocaravanas, casas rodantes, etc.).

## **⚠ ADVERTENCIA**

### **INTOXICACIÓN POR MONÓXIDO DE CARBONO**

- NO utilice la cocina o el anafe para calentar o calefaccionar el vehículo. Podría sufrir quemaduras o lesiones, provocar un incendio o agotar el oxígeno en el vehículo.
- Se debe tener una ventana o una salida de aire ligeramente abiertas mientras se use cualquier aparato de cocción. Las llamas de gas consumen oxígeno, el cual debe ser reemplazado para asegurar una combustión adecuada.
- NO almacene ni utilice gasolina u otros vapores y líquidos inflamables cerca de este o cualquier otro electrodoméstico.
- NO utilice el electrodoméstico si está dañado o no funciona correctamente.
- Nunca intente reparar el electrodoméstico usted mismo. Cualquier reparación o instalación de este electrodoméstico debe ser realizada por un instalador cualificado, una agencia de servicio o el proveedor de gas y conforme a las instrucciones de este manual. La reparación o mantenimiento del electrodoméstico por parte de una persona o agencia de servicio no autorizada podrían provocar una falla en la integridad del electrodoméstico y podría ocasionar daños materiales, lesiones graves o víctimas mortales.
- Solicite a su distribuidor que le muestre dónde se encuentra la válvula principal de cierre de gas y cómo cerrarla en caso de emergencia.
- Utilice el electrodoméstico únicamente para el uso previsto.
- Se debe enseñar a los niños que el electrodoméstico no es un juguete. No se les debe permitir jugar con los controles ni con ninguna otra parte del electrodoméstico. No permita que nadie se pare o se siente encima del electrodoméstico. Esto no sólo puede dañar el electrodoméstico, sino que también puede ocasionar lesiones personales.
- No guarde objetos de interés para los niños en armarios que estén encima o cerca del electrodoméstico. Si los niños se suben al electrodoméstico para alcanzar objetos pueden sufrir lesiones graves.
- Todas las perillas de control deben estar apagadas cuando no estén en uso. Puede haber peligro de incendio y/o sufrir quemaduras si se deja encendido accidentalmente un quemador.
- Si algún quemador se apaga (después de haberlo encendido o debido al viento), cierre todas las perillas de los quemadores y espere cinco (5) minutos antes de intentar encenderlo de nuevo.
- NO guarde materiales inflamables sobre, dentro o cerca del electrodoméstico. Cualquier vapor o gas puede crear una explosión y/o peligro de incendio.
- No use ropa holgada o de manga larga mientras utilice el electrodoméstico. Si entran en contacto con la llama abierta del quemador, podrían encenderse y causar quemaduras graves.
- Utilice únicamente paños o guantes de cocina secos para quitar los utensilios calientes. El uso de paños o guantes de cocina húmedos en superficies calientes puede

provocar quemaduras en las manos. No utilice una toalla o un paño voluminoso como guante de cocina. El paño podría entrar en contacto con la llama abierta y prenderse fuego.

- Nunca caliente un recipiente sin abrir. La acumulación de presión dentro del recipiente puede hacer que explote.
- No utilice agua para apagar incendios provocados por grasa o aceite. Nunca recoja un recipiente de cocción en llamas. Ahogue el fuego de un recipiente de cocción en llamas con una tapa u otro recipiente plano. La grasa en llamas fuera del recipiente de cocción se puede extinguir con bicarbonato de sodio o con un extintor de polvo químico seco multipropósito.
- Este electrodoméstico está diseñado para ser instalado en una estructura de armario únicamente y no está diseñado para ser instalado a la estructura del edificio.

## **Seguridad del anafe**

- No coloque las ollas sobre la superficie del vidrio. Levante la tapa hasta la posición completamente abierta antes de encender los quemadores. Deje enfriar el anafe antes de cerrar la tapa de vidrio.
- Si el anafe está cerca de una ventana, se deben tomar las precauciones adecuadas para evitar que el viento mueva las cortinas sobre los quemadores lo cual genera un riesgo de incendio.
- Mantenga limpia el área alrededor del anafe y retire cualquier material combustible, gasolina u otros vapores y líquidos inflamables. Si no lo hace, puede provocar una explosión y/o un incendio.
- No deje a los niños solos o sin supervisión en el área donde se esté usando el anafe. Los quemadores superiores, las rejillas de los quemadores y otras áreas cercanas a los quemadores se calientan lo suficiente como para provocar quemaduras graves.
- No use ropa holgada o de manga larga mientras utilice el electrodoméstico. Si entran en contacto con la llama abierta del quemador, podrían encenderse y causar quemaduras graves.
- Utilice únicamente paños o guantes de cocina secos para quitar los utensilios calientes. El uso de paños o guantes de cocina húmedos en superficies calientes puede provocar quemaduras en las manos. No utilice una toalla o un paño voluminoso como guante de cocina. El paño podría entrar en contacto con la llama abierta y prenderse fuego.
- Nunca caliente un recipiente sin abrir. La acumulación de presión dentro del recipiente puede hacer que explote.
- Mantenga limpio el electrodoméstico. La acumulación de grasa y alimentos derramados o vertidos puede generar un riesgo de incendio.
- Gire las asas de las ollas hacia adentro o hacia atrás del anafe y fuera del alcance de las personas que pasen por delante del anafe y/o fuera del alcance de los niños. No gire las manijas hacia donde están sobre los quemadores.
- No utilice agua para apagar incendios provocados por grasa o aceite. Nunca recoja un recipiente de cocción en llamas. Ahogue el fuego de un recipiente de cocción en llamas con una tapa u otro recipiente plano. La grasa en llamas fuera del recipiente de cocción se puede extinguir con bicarbonato de sodio o con un extintor de polvo

químico seco multipropósito.

- Nunca deje los quemadores superiores desatendidos.
  - Por motivos tales como corrientes de aire que podrían generarse al abrir y cerrar puertas de los armarios o puertas dentro de la casa rodante o por presiones de aire positivas o negativas que afecten a los quemadores debido a una instalación inadecuada. (Consulte la sección de instalación) El quemador podría apagarse, lo que provocaría la salida de gas hacia la casa rodante. Recuerde, el flujo de gas hacia cada quemador se controla manualmente, debe girar las perillas para encender y apagar el flujo de gas.
  - Podría producirse un rebosamiento y el derrame podría inflamarse.
- Tamaño de la llama
  - Nunca permita que la llama se extienda más allá del borde exterior del recipiente de cocción. Una llama más alta simplemente desperdicia calor y energía.
  - El tamaño correcto de la llama se determina por el tamaño y el material del recipiente de cocción, lo que se está cocinando y si se está cocinando, o no, con líquidos.

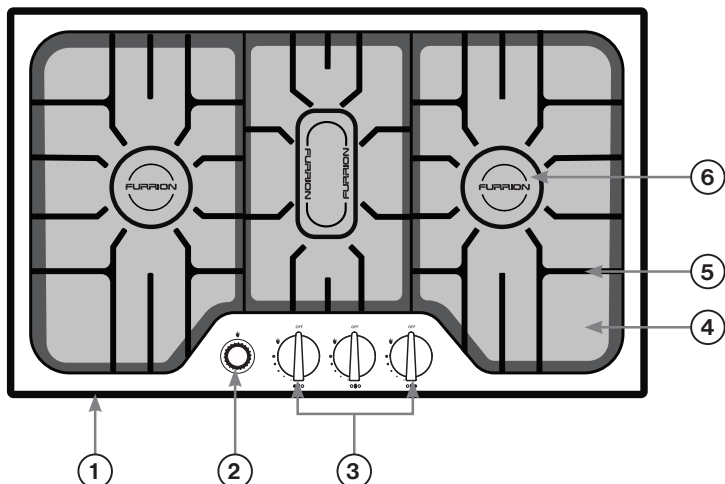


- Para evitar daños en el anafe, los quemadores superiores o la rejilla superior, nunca encienda un quemador superior sin colocar un recipiente de cocción en su lugar. Los quemadores superiores, especialmente los que cuentan con ajuste fuerte, no se deben utilizar con fuego fuerte durante un período de tiempo prolongado. El ajuste de fuego fuerte debe utilizarse únicamente para comenzar a cocinar los alimentos o para llevar los líquidos al punto de ebullición y luego se debe reducir la llama a un ajuste más bajo para continuar la cocción. Utilice el ajuste de llama baja para mantener los alimentos calientes. Recuerde, una cocina a gas se calienta más rápido que una cocina eléctrica, por lo tanto, experimente con varios ajustes hasta que se acostumbre a cocinar con gas.
- Nunca use utensilios de cocina que sobresalgan más de una pulgada de la rejilla (tamaño máximo de los recipientes de cocción: 10" de diámetro). Nunca coloque el utensilio de cocina sobre la rejilla en dos quemadores superiores encendidos. Esto generará una acumulación

excesiva de calor que podría provocar daños a la parrilla, quemadores superiores y anafe.

- Verifique que haya suficiente suministro de gas antes de intentar encender cualquier quemador superior. El aire en la línea de suministro de gas retrasará significativamente el encendido del quemador y un quemador puede encenderse inesperadamente cuando el aire en la línea se despeje y sea reemplazado por gas, este encendido inesperado puede provocar quemaduras. Puede entrar aire en el conducto de suministro cuando se sustituya el cilindro de gas del vehículo, durante el mantenimiento de otros electrodomésticos a gas, etc.
- NO toque los quemadores superiores, las rejillas de los quemadores ni otras áreas cercanas a los quemadores superiores durante y después de su uso. No permita que la ropa u otros materiales inflamables entren en contacto con los quemadores superiores o las áreas cercanas a los quemadores superiores hasta que hayan tenido suficiente tiempo para enfriarse.
- Asegúrese de que los utensilios que utiliza sean lo suficientemente grandes para contener alimentos y evite que rebosen y se desborden. Las salpicaduras fuertes o los derrames que queden en el anafe pueden encenderse y provocar quemaduras.
- Asegúrese de que los utensilios de cocina de vidrio sean seguros para su uso en el anafe. Solo ciertos tipos de utensilios de vidrio son adecuados para utilizarse en la superficie o en los quemadores superiores sin romperse debido a los cambios repentinos de temperatura.
- La grasa es inflamable. Nunca permita que se acumule grasa alrededor de los quemadores superiores o en la superficie del anafe. Limpie los derrames inmediatamente.
- Tenga cuidado al encender un quemador superior a mano. Si el quemador se enciende inesperadamente o si su mano está cerca del quemador, usted puede sufrir quemaduras.
- NO deje caer bandejas sobre la superficie esmaltada. El esmalte puede agrietarse o astillarse.
- NO deje un utensilio vacío, o uno que haya hervido hasta secarse, en un quemador superior caliente. El utensilio podría sobrecalentarse y se podría dañar el utensilio o la cocina.

## Resumen del producto



Objeto	Descripción
①	Placa de características del producto (parte inferior del anafe)
②	Botón de encendido
③	Perilla de control
④	Tapa del quemador
⑤	Rejilla del quemador
⑥	Superficie de los quemadores

## Instalación

### ⚠ ADVERTENCIA

#### INCENDIO, EXPLOSIÓN, LESIÓN POR QUEMADURAS, INTOXICACIÓN POR MONÓXIDO DE CARBONO

- El electrodoméstico de cocina debe estar completamente separado y/o aislado de otros dispositivos que muevan o consuman aire, tales como, aunque no exclusivamente, calderas, hornos de microondas, secadoras de ropa, ventiladores de enfriamiento y puertas o cajones en armarios comunes. Si no lo hace, el suministro de aire de combustión del electrodoméstico se verá afectado por la creación de una corriente de aire negativa o positiva.
- La CORRIENTE DE AIRE NEGATIVA causada por electrodomésticos que mueven aire puede hacer que la llama del quemador superior descienda hacia o dentro del anafe y que provoque daños en el anafe, peligro de sufrir quemaduras, posibilidad de explosión y/o acumulación de monóxido de carbono.
- La CORRIENTE DE AIRE NEGATIVA puede apagar la llama del quemador superior durante el uso y provocar una explosión y/o peligro de incendio y/o lesiones a los ocupantes del vehículo.
- NO opere el electrodoméstico en condiciones de viento excesivo, ya que esto puede causar una corriente de aire negativa o positiva.

### ⚠ ADVERTENCIA

La instalación de este electrodoméstico se debe ejecutar siguiendo las instrucciones indicadas en este manual. Ningún agente, representante o empleado de Furrion u otras personas tienen la autoridad de cambiar, modificar o anular lo indicado en las instrucciones de este manual.

La instalación debe cumplir con las normas locales o, en caso de no existir una reglamentación específica, consulte la

última edición de las siguientes normas:

En los Estados Unidos:

- Norma para vehículos recreativos NFPA 1192
- Código Nacional de Gas Combustible ANSI Z223.1/NFPA 54

En Canadá, la instalación debe cumplir con:

- Norma CAN/CSA Z-240.4.2-08, Requisitos de instalación para equipos y electrodomésticos a gas propano en vehículos recreativos.
- Todos los códigos y regulaciones locales aplicables.

### Instrucciones de corte para el armario

Para el funcionamiento correcto de su aparato de cocción, los armarios deben estar correctamente contruidos y a escuadra con respecto a la parte superior de la encimera y a la parte frontal del armario.

Para que el electrodoméstico funcione correctamente, el armario debe estar nivelado y la parte inferior del electrodoméstico debe estar apoyada.

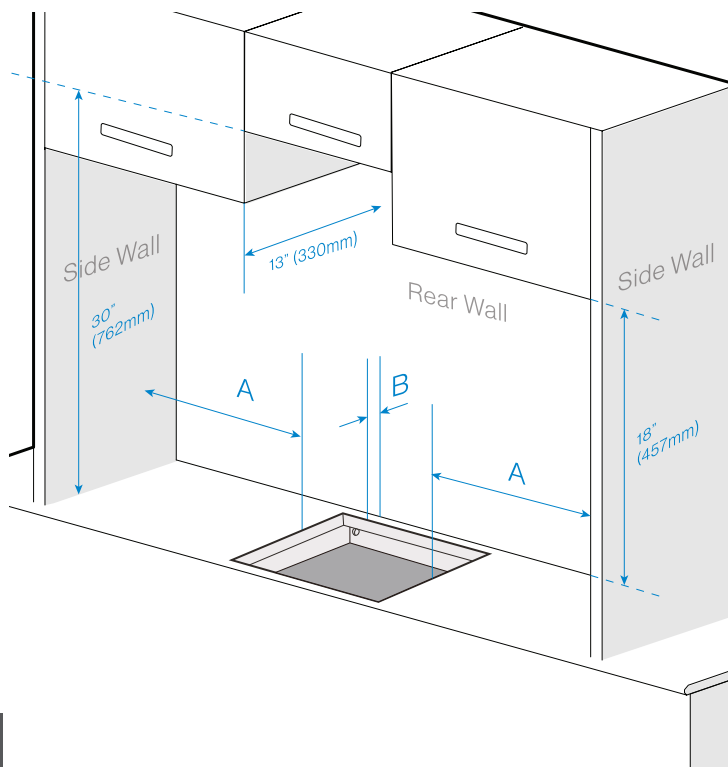
**NOTAS:** Cuando planifique el lugar de instalación, tenga en cuenta las cortinas u otros materiales combustibles instalados alrededor del electrodoméstico para no generar un riesgo de incendio.

Las distancias horizontales mínimas desde los laterales y parte posterior del electrodoméstico hasta las paredes combustibles verticales adyacentes que se extienden por encima del panel superior son las siguientes:

Objeto	Dimensiones
A	2" mín. (51 mm mín.)
B	2" mín. (51 mm mín.)

**NOTA:** Estas distancias se deben medir desde el corte de la

encimera.

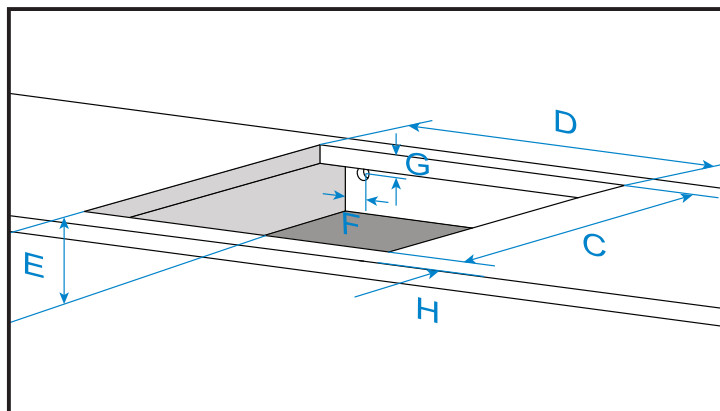


## ⚠ ADVERTENCIA

La distancia vertical mínima con respecto al material combustible por encima de la superficie de cocción es de 30" (762 mm), siempre y cuando la construcción superior no se extienda 13" (330 mm) desde la pared trasera.

**NOTA:** Si instala una campana de cocina o una combinación de campana con microondas encima del anafe, siga las instrucciones de instalación de la campana de cocina o de la combinación de campana con microondas para respetar las distancias de separación encima de la superficie de cocción.

Tabla de dimensiones de corte del armario y la encimera:



C	14 $\frac{3}{8}$ " (365 mm)
D	23 $\frac{1}{2}$ " (597 mm)
E	4" (102 mm)
F	1 $\frac{15}{16}$ " (50 mm)
G	3 $\frac{15}{16}$ " (100 mm)
H	3 $\frac{3}{8}$ " (85 mm)

## Contenido

Asegúrese de tener en el empaque todos los artículos que se indican a continuación. Si falta algún artículo, póngase en contacto con su distribuidor.

- Cocina de gas de acero inoxidable de una pieza
- Manguera flexible de suministro de gas con una boquilla hembra de  $\frac{3}{8}$ " con una conexión roscada de  $\frac{5}{8}$ "-18UNF
- Cinta de butilo
- 1 batería AA
- Manual del usuario
- Folleto de garantía

## Instalación del anafe

### ⚠ ADVERTENCIA

La tubería de suministro de gas debe instalarse manteniendo una separación de las cuchillas que puedan entrar en contacto o corten las líneas de gas.

**IMPORTANTE:** Antes de fijar definitivamente el anafe en el armario, asegúrese de que haya un orificio de ventilación para la circulación de aire alrededor del anafe en el armario. La ubicación del orificio de ventilación puede estar situada en la parte trasera, en los laterales o en la parte inferior del armario. El diámetro mínimo es de 2" (50 mm).

La distancia entre el fondo de la placa de cocción y los materiales combustibles no debe ser inferior a 1" (25.4 mm). Asegúrese de que la encimera, los materiales circundantes y los agentes adhesivos tengan una temperatura nominal que no sea inferior a 193 °F (95 °C) para evitar la deformación o decoloración.

1. Coloque el rollo de cinta de butilo (incluida en el paquete del anafe) alrededor del borde inferior de la encimera y retire la película protectora de la cinta de butilo.
2. Conecte una tubería de suministro de propano con una conexión de rosca hembra de  $\frac{3}{8}$ " al anafe en la esquina superior izquierda trasera del armario. Apriete la unión de la tubería de gas al anafe con 2 llaves.
3. Coloque la placa de cocción en el hueco y verifique que esté nivelada de lado a lado y de adelante hacia atrás. Presione en los bordes del anafe para sellar.

Si se instala con un horno Furrion, consulte el manual de instrucciones del horno por separado para conocer las instrucciones de construcción del armario y de instalación del horno.

## Conexión de gas

Conecte la placa de cocción a una línea de suministro de gas designada desde la línea principal de gas de la casa rodante que pasa por debajo del piso de la casa rodante. No utilice una conexión de gas existente dentro de la casa rodante para alimentar dos aparatos.

El anafe debe conectarse por separado, cada aparato debe

tener válvulas de aislamiento separadas para que sean independientes entre sí.

Este anafe se puede utilizar únicamente con gas propano. Este anafe incluye una manguera flexible de suministro de gas con una boquilla hembra de 3/8" con una conexión roscada de 3/8"-18UNF. Para la instalación, utilice cañerías de cobre y conectores certificados por CSA o UL que cumplan con las normas de seguridad de EE. UU. y Canadá.

Asegúrese de que cuando se instale el anafe, la manguera flexible de suministro de gas no pueda tocar ninguna pieza móvil. Asegúrese de que haya espacio suficiente para que la tubería de suministro no se doble ni se dañe después de la instalación.

## Verificación de fugas

### ⚠ ADVERTENCIA

#### INCENDIO O EXPLOSIÓN

- Apaguen todas las llamas abiertas.
- NUNCA realice una prueba de fugas cuando esté fumando. Nunca use una llama.
- No utilice el electrodoméstico hasta que la conexión haya sido probada y no tenga fugas.
- Para realizar la prueba de presión/fugas utilice entre 11 y 13.8 c.a.

### ⚠ ADVERTENCIA

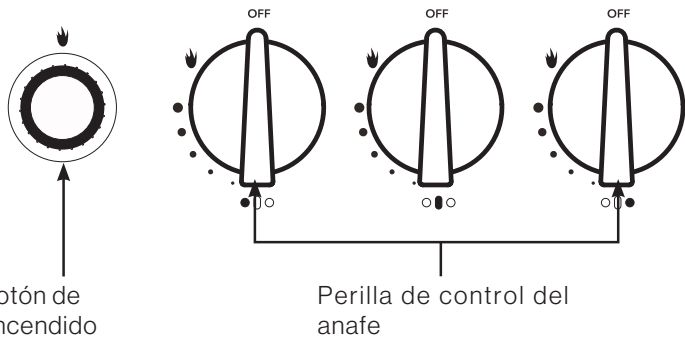
- Se pueden producir fugas de gas en su sistema y generar en una situación peligrosa. Realice siempre una prueba de fugas para detectar posibles fugas de acuerdo con las instrucciones del fabricante después de la instalación y antes del funcionamiento.
- Las fugas de gas pueden no ser detectadas solo por el olor. Los proveedores de gas recomiendan que compre e instale un detector de gas aprobado por UL.

1. Asegúrese de que todas las perillas de control estén en la posición **OFF** (apagado).
2. Aplique un líquido de detección de fugas de gas a las conexiones. Cualquier fuga de gas será indicada con burbujas.
3. Si se detecta una fuga de gas, apriete la junta suelta o reemplace la pieza defectuosa con una pieza de repuesto recomendada por un distribuidor autorizado de Furrion.

## Uso del anafe

### ⚠ ADVERTENCIA

- Mantenga los brazos y la cara alejados de la parte directamente encima del área de cocción mientras use el electrodoméstico.
- No intente encender más de un quemador a la vez.



## Encendido del anafe

Antes, asegúrese de que todas las perillas del anafe estén en la posición **OFF** (apagado). Compruebe que la válvula de suministro de gas en el depósito de gas esté en posición **ABIERTA**.

### Encendido estándar:

1. Presione y gire la perilla de control deseada del anafe en

sentido contrario a las agujas del reloj hasta la posición .

2. Mantenga presionada la perilla de control del anafe y presione el botón de encendido repetidamente hasta que el quemador se encienda.
3. Mantenga la perilla del anafe presionada durante 10-15 segundos hasta que la llama se estabilice para desactivar el corte de seguridad.
4. Gire la perilla de control en el sentido de las agujas del reloj o en sentido contrario hasta alcanzar el nivel de calor deseado. Para la función de cocción a fuego lento, gire la perilla de control a la posición más baja.
5. Repita los pasos 1 y 4 para encender los otros quemadores.

### NOTAS:

- Este anafe incluye una válvula de corte de seguridad en los quemadores; si no hay llama, el suministro de gas se desconectará automáticamente.
- Si no hay chispa al presionar el encendedor, compruebe o cambie la batería AA desenroscando la tapa del encendedor. Nunca intente encender el anafe con la batería agotada.

### Si el quemador no se enciende

Este anafe incluye una válvula de corte de seguridad en los quemadores; si no hay llama, el suministro de gas se desconectará automáticamente. En caso de que no se encienda el quemador dentro de los 5 segundos, gire inmediatamente la perilla de control en el sentido de las agujas del reloj hasta la posición **OFF** (apagado). Espere al menos 5 minutos y repita el procedimiento de encendido.


Si aun así no se enciende, utilice un encendedor de gas o un fósforo para encender el quemador. Consulte la sección 'Encendido manual'.

### Encendido manual:

#### ⚠ ADVERTENCIA

Tenga cuidado al encender los quemadores a mano. Si el quemador se enciende inesperadamente o si tiene la mano cerca del quemador, puede sufrir quemaduras.

En caso de que el quemador no se encienda con el encendido estándar, puede encenderlo manualmente siguiendo los pasos que se indican a continuación:

1. Gire la perilla de control del quemador correspondiente en sentido contrario a las agujas del reloj hasta la posición .
2. Encienda y coloque inmediatamente un fósforo largo de madera o un encendedor de gas cerca del quemador para encenderlo.
3. Repita los pasos 1 y 2 para encender los otros quemadores según sea necesario.
4. Gire la perilla de control del quemador para ajustar la llama al nivel deseado.

### Si se apaga la llama

#### ⚠ ADVERTENCIA

##### ¡Peligro de incendio!

Si la llama se apaga accidentalmente, se producirá una fuga de gas. Nunca deje el quemador de gas desatendido durante el funcionamiento. Asegúrese de que no haya corrientes de aire que puedan afectar a la llama del quemador.

Gire inmediatamente la perilla de control hasta la posición **OFF** (apagado). Espere al menos 5 minutos y vuelva a encender el quemador.

### Apagado del anafe

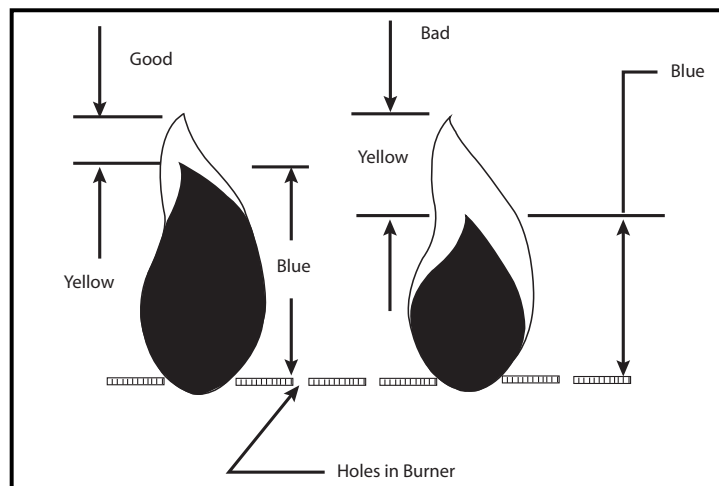
#### ⚠ ADVERTENCIA

Siempre cierre la válvula del tanque de gas cuando esté repostando o en viaje.

Para apagar los quemadores del anafe, gire las perillas de control en el sentido de las agujas del reloj hasta la posición **OFF** (apagado).

### La llama del quemador

Las llamas deben verse similares al ejemplo de llama correcta que se muestra en el diagrama a continuación.



Una llama correcta debería ser azul con una punta amarilla. Algunas puntas amarillas en llamas de hasta 1" (25.4 mm) de longitud son aceptables siempre y cuando no aparezcan depósitos de carbón u hollín.

Si las llamas son excesivamente amarillas e irregulares, es posible que el residuo de aceite no se queme por completo, o que el tubo de venturi esté obstruido o que no esté colocado correctamente sobre los orificios.

## Limpieza y Mantenimiento

- Asegúrese de que todas las perillas de control estén apagadas y de que el electrodoméstico esté frío antes de limpiarlo.
- Asegúrese de que todas las superficies, las rejillas de los quemadores y los quemadores del electrodoméstico estén fríos antes de limpiarlos o desmontarlos.
- NO utilice blanqueador ni removedores de óxido en el anafe o en las rejillas de los quemadores.
- NO obstruya el flujo de aire de combustión y ventilación.
- Mantenga los materiales combustibles, gasolina y otros vapores y líquidos inflamables fuera del área del electrodoméstico.
- Nunca utilice un cepillo de alambre u objeto metálico para limpiar las aberturas u orificios del quemador. El cepillo puede "desprender" cerdas que pueden alojarse en el orificio o las aberturas del quemador y causar un incendio o una explosión.
- Limpie todas las superficies tan pronto como sea posible

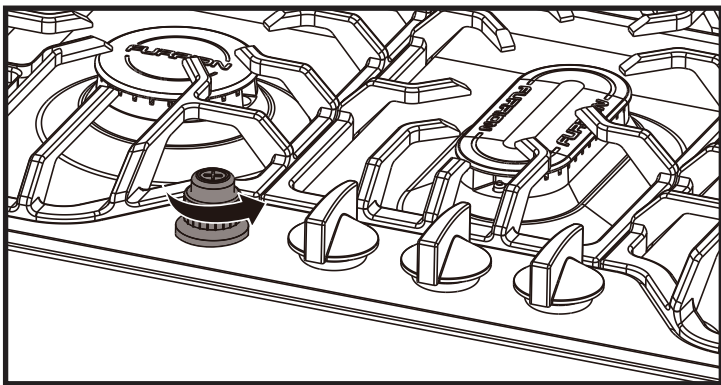
- después de los derrames por ebullición o vertidos.
- Utilice agua tibia jabonosa solo para limpiar las rejillas del quemador, el anafe, las superficies pintadas, las superficies esmaltadas, las superficies de acero inoxidable y las piezas de plástico de su cocina. No utilice limpiadores de grano o ácidos. No utilice limpiadores con amoníaco, los limpiadores de este tipo son corrosivos y podrían dañar los componentes de la cocina.
- NO use lana de acero, o limpiadores abrasivos, o limpiadores de tipo ácido como blanqueador de cloro en el anafe o sistemas de rejillas. Dañarán su horno o anafe. Utilice únicamente esponjas de limpieza de plástico no abrasivo.
- NO permita que los alimentos que contengan ácidos (como jugo de limón, tomate o vinagre) permanezcan en las superficies pintadas o de porcelana. Los ácidos pueden eliminar el acabado brillante. Limpie los derrames de huevos cuando el anafe esté frío.



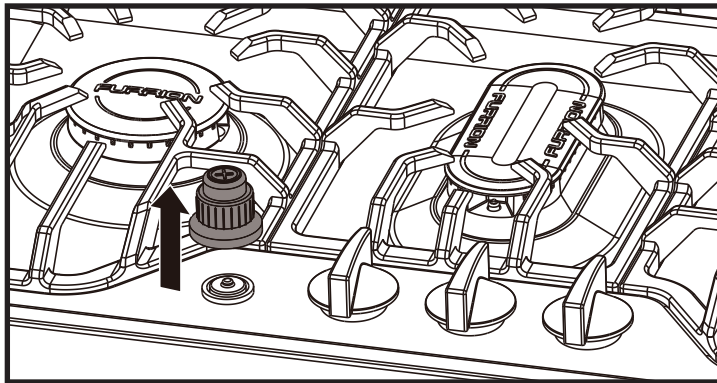
- NO lave las superficies de porcelana cuando estén calientes. Deje que estas superficies se enfríen antes de limpiar. Podría sufrir quemaduras o la porcelana podría quebrarse.
- Se producirán picaduras y decoloración si se permite que los derrames permanezcan durante un período de tiempo cualquiera en el acero inoxidable.
- NO permita que los derrames permanezcan en las tapas del quemador. Las tapas podrían mancharse de forma permanente.
- Cuando limpie alrededor de los quemadores, tenga cuidado de no dañar el electrodo (si lo tiene incluido). Si engancha el electrodo de encendido metálico con una esponja o un paño, podría dañarlo o romperlo. Si esto ocurre, el quemador no se encenderá.

## Cambio de la batería del encendedor

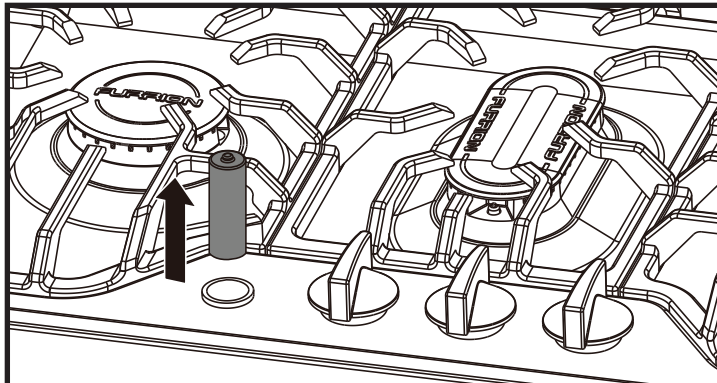
1. Desenrosque el encendedor girando el collarín inferior del botón.



2. Retire la tapa y retire la batería.



3. Cambie la batería por una nueva batería AA de 1.5 V.



# Almacenamiento

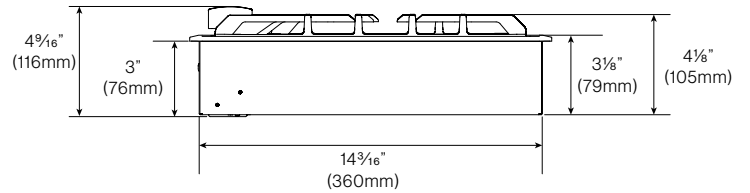
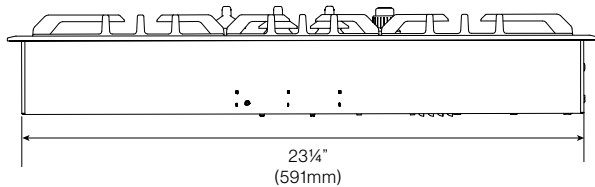
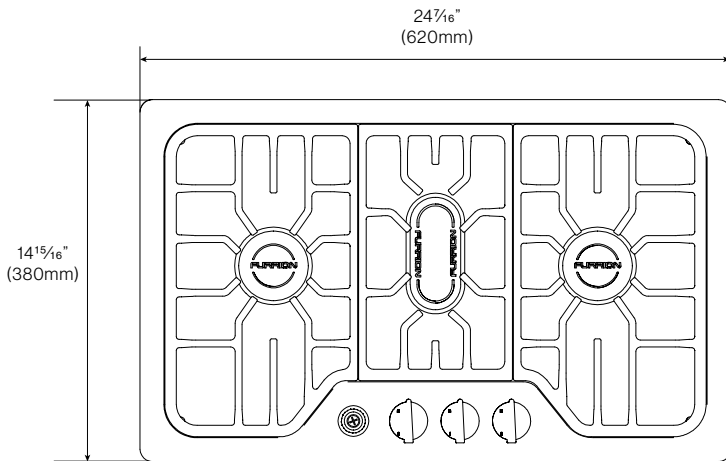
Seque todas las superficies y la caja del quemador, luego rocíe las superficies con una sustancia de aceite de cocina para evitar que la superficie se oxide durante el almacenamiento a largo plazo. Limpie la capa de aceite antes de volver a utilizarlo.

# Resolución de problemas

Antes de llamar al servicio técnico, revise esta lista. Puede ahorrarle tiempo y dinero. Esta lista incluye experiencias comunes que no son el resultado de mano de obra o material defectuoso en su electrodoméstico.

Problema	Posible causa/solución
El quemador no se enciende	La perilla de control de la superficie no se ha girado completamente a su posición 🔥. Presione y gire la perilla de control de superficie a la posición 🔥 hasta que el quemador se encienda y luego gire la perilla hasta lograr el tamaño de llama deseado.
	Asegúrese de que la válvula de suministro de gas esté abierta.
	Los orificios o ranuras del quemador están obstruidos. Con el quemador apagado, utilice un alambre o una aguja de calibre pequeño para limpiar los orificios o las ranuras.
	Nivel bajo de suministro de gas en el tanque. Verifique que haya suficiente gas en el tanque de suministro.
La llama del quemador de superficie está encendida por la mitad	Potencia insuficiente de la batería. Debería oír un sonido de clic cuando presiona el encendedor. Para cambiar la batería, consulte la página 9.
	Hay humedad en el quemador, seque bien el quemador.
	Los orificios o ranuras del quemador están obstruidos. Con el quemador apagado y después de que se enfríe el anafe, limpie los orificios o las ranuras con un alambre o una aguja de calibre pequeño.
La llama del quemador de superficie es naranja.	Ha quedado humedad después de la limpieza. Airee la llama ligeramente y deje que el quemador funcione hasta que la llama esté completa. Seque bien los quemadores y siga las instrucciones de la sección " <b>Limpieza y mantenimiento</b> ".
	Potencial para partículas de polvo en la línea principal. Deje el quemador encendido durante unos minutos. Consulte la página 8 para ver la evaluación de la llama del quemador.
	En las zonas costeras, es inevitable que la llama esté ligeramente anaranjada debido al aire salino.

# Especificaciones



## Especificaciones técnicas

<b>BTU/HR</b>	Central	2000 BTU/HR Mín., 7500 BTU/HR Máx.
	Izquierdo y derecho	1800 BTU/HR Mín., 7500 BTU/HR Máx.
<b>Combustible / alimentación</b>	Propano (Gas LP)	
<b>Presión de entrada</b>	10" c.a. mín. a 13.8" c.a. máx.	
<b>Entrada de alimentación</b>	Batería AA de 1.5 V	

Este electrodoméstico cumple con las siguientes normativas: ANSI Z21.57a-(2012) Rec / CAN1-1.16-M79 (R2011)



## **Furrion Innovation Center & Institute of Technology**

- 52567 Independence Ct., Elkhart, IN 46514, USA • Toll free:1-888-354-5792
- Email: support@furrion.com

©2007-2019 Furrion Ltd. Furrion® and the Furrion logo are trademarks licensed for use by Furrion Ltd. and registered in the U.S. and other countries.

©2007-2019 Furrion Ltd. Furrion® et le logo Furrion sont des marques déposées par Furrion Ltd. et enregistrées aux Etats-Unis et ailleurs.

©2007-2019 Furrion Ltd. Furrion® y el logotipo de Furrion y son marcas comerciales con licencia de uso de Furrion Ltd. y están registradas en los Estados Unidos y en otros países.

**[www.furrion.com](http://www.furrion.com)**

IM-FHA00015 V6.0