

FCE48TASH

Vehicle Observation System

Furrion Vision S™ Side Camera with LED Marker Light



Main Features



CMOS 65°
VIEW ANGLE



INFRARED
NIGHT VISION



CAMERA
RESOLUTION



INTELLIGENT
IR CUT FILTER



MOTION
DETECT



WATERPROOF

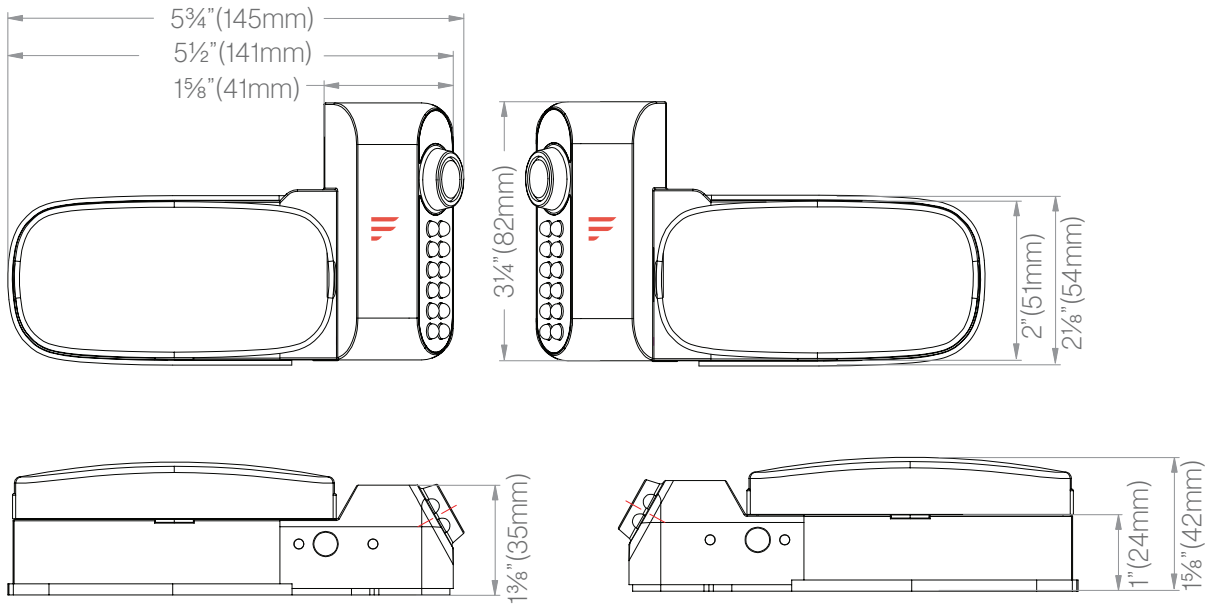


BLIND SPOT
TURN SIGNAL



OPTIONAL BUILT IN
RUNNING LIGHT

FURRION



Specifications

Night Vision Distance	<39ft (12m)
CMOS Size	1/3"
Optical Lens	F2.5
IR Cut Filter	850nm Automatic
View Angle/Degree	65°
Working Current (IR ON)	<500mA @12V
Working Current (IR OFF)	<250mA @12V
Camera Pixel	720 x 480
Waterproof	IP65

