 **EQUUS**[®]
We Know Gauges

AUTOMOTIVE TACHOMETERS & GAUGES

PRODUCT CATALOG

Table of Contents

Intro/Features	1
6000 Series	3
7000 Series	5
8000 Series	7
Accessories	11
Dimensions	13
Merchandising	14



Gauges for Every Application

Equus Products, Inc. has tachometers and gauges for virtually any application on today's automotive vehicles. From eye-catching sport compacts, early or late model muscle cars, or heavy duty SUV and truck applications, Equus' extensive product line has a gauge that will enhance your driving experience and provide drivers with accurate performance monitoring. Whether you need the sleek styling of our 8000 Series, classic performance of our 7000 Series, or the function and value of our 6000 Series, Equus Products has a gauge that's right for you.

Equus – Tradition of Excellence

For over 40 years, Equus Products Inc has been engineering and manufacturing high quality gauges for the automotive industry. Our range of products have been utilized on OEM vehicles, military vehicles, special-purpose vehicles and tens of thousands of aftermarket applications. Our engineering and design staff comprises years of experience producing some of the finest tachometers and gauges in the world, and our manufacturing capabilities are second to none. And for any questions you may have, each of our service technicians are ASE certified so you'll get reliable, accurate information.

High Quality Components

As an ISO 9001:2008 certified company and with the experience of building gauges for the military and other major original equipment contracts, Equus Products prides itself on using superior components in all of its gauges. Our mechanical gauges only use solid brass Bourdon tube meter movement and our Electric gauges only feature electric air core meter movement to ensure durability and accuracy. We also house the gauge in a strong lightweight ABS plastic shell at no additional cost – most competitors charge more for this feature.

Style and Performance

Today's vehicles and drivers demand the best in style and performance – and Equus delivers! Each gauge is built to provide accurate and reliable performance monitoring for years of use in the most demanding environments – quality is built into every Equus product. And we've got a styling that meets your vehicle's look – from brushed aluminum bezels, multi-color back lights, classic styling, to chrome and jet-black trim, Equus gauges make every vehicle look and perform its best.



FACT: Many new vehicles have a distributorless (DIS) ignition or coil on plug system, but most aftermarket tachometers were not designed to work on these vehicles – until now!

Tachometer Installation Simplified

All of the Equus and iEquus Performance™ tachometers are designed to easily install on a majority of Domestic, European and Asian Import vehicles right out of the box. They work with the following ignition systems: distributorless (DIS), HEI, conventional and some coil-on-plug systems using one of two optional methods:

1. Inductive Pickup*

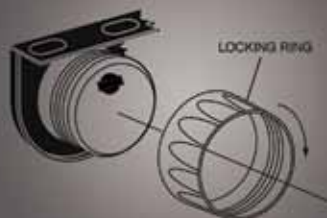
Simply clamp it to any spark plug wire and connect to the mounted Tach to accurately monitor vehicle RPM.

2. Hardwire

Lets die-hard enthusiasts connect directly to the signal source such as the negative side of an ignition coil for conventional ignition systems.

Quick & Easy Mounting

Equus gauges feature rear twist-on ring mount design to make mounting easy.



*U.S. Patent 6,868,369

6000series

EQUUS REPLACEMENT TACHOMETERS

The 6000 Series includes a wide selection of 1-1/2" and 2" gauges with 90° [electrical] and 270° [mechanical] sweeps, as well as matching 2-1/2" and 3-3/8" tachometers to meet any vehicle's look.



*4, 6 & 8 cylinder vehicles. Conventional ignition systems only

6076 2-1/2" Mini Chrome Tachometer

- // Displays 0 to 8000 RPM in 100 RPM increments
- // Compact design for smaller on-dash installations
- // OEM-style lighted pointer

6086 2-1/2" Mini Black Tachometer

- // Displays 0 to 8000 RPM in 100 RPM increments
- // Compact design for smaller on-dash installations
- // OEM-style lighted pointer

6078 3-3/8" Chrome Tachometer

- // Displays 0 to 8000 RPM in 100 RPM increments
- // Elegant chrome bezel design
- // OEM-style lighted pointer

6088 3-3/8" Black Tachometer

- // Displays 0 to 8000 RPM in 100 RPM increments
- // All black racing style design
- // OEM-style lighted pointer

6000 Series Tachometers feature:

- // Back-Lit™ illumination for night use
- // 270° Full sweep for increased visibility
- // Works on conventional and electronic ignition systems
- // Easy-to-read mounting instructions in English, French and Spanish

6068 3-3/8" Black Tachometer / DIS & COP

- // Displays 0 to 8000 RPM in 100 RPM increments
- // Popular contemporary racing tach design
- // Includes two installation options, including hardware and patented inductive pickup, for installation on most vehicles – foreign and domestic



6000series

EQUUS REPLACEMENT GAUGES

6000 Series Gauges feature:

- // Back-Lit™ illumination for night use
- // Rear twist-on ring mount design
- // Easy-to-read mounting instructions in English, French and Spanish



- 6232 2" Mechanical Water Temperature Gauge**
- // 130° - 280° F / 60° - 140° C
 - // 90° Sweep for quick readings
 - // Installation adapters sold separately
 - // Comes with 72" (6') Tube



- 6234 2" Mechanical Oil Pressure Gauge**
- // 0-100 PSI / 0 - 700 kPa
 - // 90° Sweep for quick readings
 - // Installation adapters sold separately



- 6242 2" Mechanical Water Temperature Gauge**
- // 130° - 280° F / 60° - 140° C
 - // 270° Full sweep for increased visibility
 - // Includes adapters for installation on most popular vehicles - foreign and domestic
 - // Comes with 72" (6') Tube



- 6244 2" Mechanical Oil Pressure Gauge**
- // 0-100 PSI / 0 - 700 kPa
 - // 270° Full sweep for increased visibility
 - // Includes the necessary adapters and fittings for most popular vehicles - foreign and domestic



- 6262 2" Electric Water Temperature Gauge**
- // 100° - 280° F / 40° - 130° C
 - // 90° Sweep for quick readings
 - // Includes the necessary adapters and fittings for most popular vehicles - foreign and domestic



- 6210 2" Hourmeter w/ Flange Mount**
- // Engineered for 12 to 60 Volt DC systems
 - // Range: 10,000 hours
 - // Includes flange mount for in-dash installation



- 6268 2" Voltmeter**
- // 8 to 18 volt range
 - // 90° Sweep for quick readings
 - // Installation adapters sold separately

6100 1-1/2" Volt Triple Gauge Kit

- // Mechanical Oil: 0-100 PSI / 0 - 700 kPa (270° sweep)
- // Volt: 8 to 18 volt range (90° sweep)
- // Mechanical Water: 130° to 280° F / 60° to 140° C (270° sweep)
- // Includes matching black 3-hole mounting panel and adapters for installation on most popular vehicles - foreign and domestic

6200 2" Volt Triple Gauge Kit

- // Mechanical Oil: 0-100 PSI / 0 - 700 kPa (90° sweep)
- // Volt: 8 to 18 volt range (90° sweep)
- // Mechanical Water: 130° to 280° F / 60° to 140° C (90° sweep)
- // Includes matching black 3-hole mounting panel and adapters for installation on most popular vehicles - foreign and domestic



7000series

EQUUS CLASSIC TACHS & GAUGES

This attractive, durable and affordable line features a selection of elegantly designed stainless / chrome bezel gauges for the discerning automotive aftermarket buyer.

7000 Series Speedometers & Tachs feature:

- // Back-Lit™ illumination for night use
- // 270° Full sweep for increased visibility
- // Conventional and electronic ignition system coverage
- // Easy-to-read mounting instructions in English, French and Spanish



7072 3-3/8" Chrome Mechanical MPH Speedometer

- // Provides top speed reading up to 120MPH
- // Installation adapters sold separately

7068 3-3/8" Chrome Tachometer (8K) (DIS & COP)

- // Displays 0 to 8000 RPM in 100 RPM increments
- // Works on conventional and electronic ignition systems
- // Includes two installation options, including hardwire and patented inductive pickup, for installation on most vehicles - foreign and domestic

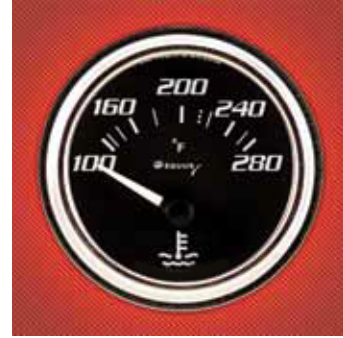
7079 3-3/8" Chrome Mechanical KPH Speedometer

- // Metric scale provides top speed reading up to 190KPH
- // Installation adapters sold separately

7200 2" Chrome Volt Triple Gauge Kit

- // Mechanical Oil: 0 to 100 PSI (270° sweep)
- // Volt: 8 to 18 volt range (90° sweep)
- // Mechanical Water: 130° to 280° F (270° sweep)
- // Includes matching chrome 3-hole panel and the necessary adapters and fittings for most popular vehicles - foreign and domestic





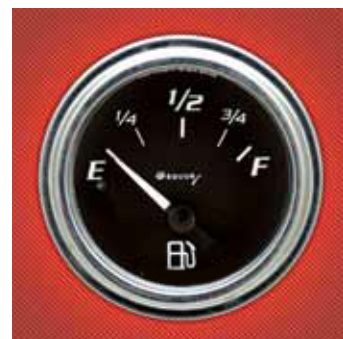
7262 2" Chrome Electric Water Temperature Gauge

- // 130° to 280° F
- // 90° Sweep for quick readings
- // Includes the necessary adapters and fittings for most popular vehicles – foreign and domestic



7232 2" Chrome Mechanical Water Temperature Gauge

- // 130° to 280° F
- // 90° Sweep for quick readings
- // Installation adapters sold separately



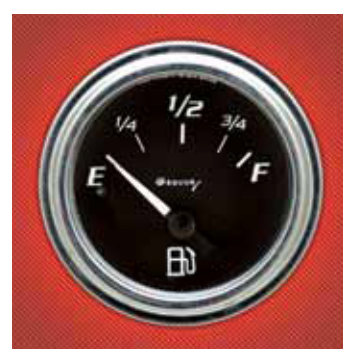
7361 2" Chrome Fuel Level Gauge (Ford & Chrysler)

- // Range: Empty=73 Ohm, Full=10 Ohm
- // Compatible with most Ford and Chrysler Senders
- // 90° Sweep for quick readings
- // Installation adapters sold separately



7241 2" Chrome Mechanical Water Temperature Gauge

- // 100° to 280° F
- // 270° Full sweep for increased visibility
- // Includes the necessary adapters and 1/4" Tubing



7362 2" Chrome Fuel Level Gauge (GM)

- // Range: Empty=0 Ohm, Full=90 Ohm
- // Compatible with most O.E. GM Sender Units or Equus® #9982 Fuel Level Sender (optional)
- // 90° Sweep for quick readings
- // Installation adapters sold separately



7242 2" Chrome Mechanical Water Temperature Gauge

- // 100° to 280° F
- // 270° Full sweep for increased visibility
- // Includes the necessary adapters and fittings for most popular vehicles – foreign and domestic
- // Comes with 72" (6') Tube



7363 2" Chrome Fuel Level Gauge (AMC & SW)

- // Range: Empty=240 Ohm, Full=33 Ohm
- // Compatible with most O.E. AMC and other common manufacturer's sending units
- // 90° Sweep for quick readings
- // Installation adapters sold separately



7234 2" Chrome Mechanical Oil Pressure Gauge

- // 0 to 100 PSI
- // 90° Sweep for quick readings
- // Installation adapters sold separately



7210 2" Chrome Hourmeter

- // Engineered for 12 to 60 Volt DC systems
- // Range: 10,000 Hours
- // Hardware for in-dash mounting



7244 2" Chrome Mechanical Oil Pressure Gauge

- // 0 to 100 PSI
- // 270° Full sweep for increased visibility
- // Includes the necessary adapters and fittings for most popular vehicles – foreign and domestic



7268 2" Chrome Voltmeter

- // 8 to 18 volt range
- // 90° Sweep for quick readings
- // Installation adapters sold separately

8000series

IEQUUS PERFORMANCE TACHS & GAUGES

Peak Performance & Features

The iEQUUS Performance™ line boasts lightweight construction, durability, accuracy and ease of installation – all at a price that lets you compete. It features 1-1/2", 2" and 2-5/8" gauges and matching tachometers with aluminum bezel and popular white dial face that appeal to a broad range of consumers from hot rod to compact to off-road enthusiasts.



8000 Series Speedometers & Tachs feature:

- // Super lightweight case with an aluminum bezel
- // Bright Back-Lit™ dial face in four different colors
- // 270° Full sweep for increased visibility
- // Easy-to-read mounting instructions in English, French and Spanish

8075 3-3/8" Mechanical KPH Speedometer (left)

- // Metric scale provides top racing speed reading up to 190KPH
- // Includes twist-on ring mount design for in-dash mounting

8076 3-3/8" Mechanical MPH Speedometer (right)

- // Provides top racing speed reading up to 160MPH
- // Includes twist-on ring mount design for in-dash mounting

Performance Gauges, Tachs & Speedos Back-Lit™ Lighting

Each instrument in the line features Back-Lit™ illumination with a choice of four popular colors included in every package.





8068 3-3/8" Tachometer (8K) (DIS & COP)

- // Displays 0 to 8,000 RPM scale in 100 RPM increments
- // Includes Omega shock-mount bracket for on-dash or pillar-mount installations
- // Includes two installation options, including hardwire and patented inductive pickup, for installation on most vehicles - foreign and domestic

8080 5" Tachometer (10K) (DIS & COP)

- // Displays 0 to 10,000 RPM scale in 100 RPM increments
- // Fully programmable to set desired shift points and recall the highest RPM achieved
- // External 3/4" diameter shift light can be installed on the tach or elsewhere
- // Internal super bright shift lights
- // Includes Omega shock-mount bracket for on-dash or pillar-mount installations
- // Includes two installation options, including hardwire and patented inductive pickup, for installation on most vehicles - foreign and domestic



8000series

IEQUUS PERFORMANCE GAUGES FEATURE:

- // Super lightweight case with an aluminum bezel
- // Bright Back-Lit™ dial face in four different colors
- // Rear twist-on ring mount design makes mounting simple
- // Easy-to-read mounting instructions in English, French and Spanish
- // Includes black mounting panel and hardware for basic installation on most vehicles – foreign and domestic

8000 2" Quartz Clock (above)

- // Center movement easily changes time
- // Quartz movement
- // Bright Back-Lit™ display enhances night viewing in one of 4 colors



8100 1-1/2" Volt Triple Gauge Kit

- // Mechanical Oil: 0 - 100 PSI / 0 - 70 kPa (270° sweep)
- // Volt: 8 to 18 volts (90° sweep)
- // Mechanical Water: 130° to 280° F / 60° to 140° C (270° sweep)



8256 – 2" Vacuum/Boost Gauge

- // 0 to 60 PSI
- // 270° Sweep for increased visibility



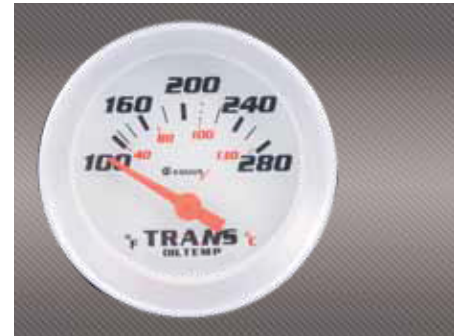
8200 2" Volt Triple Gauge Kit

- // Mechanical Oil: 0 - 100 PSI / 0 - 70 kPa (270° sweep)
- // Volt: 8 to 18 volts (90° sweep)
- // Mechanical Water: 130° to 280° F / 60° to 140° C (270° sweep)



8241 – 2" Transmission Temperature

- // 100° - 280° F / 40° to 130° C
- // 90° Sweep for quick readings



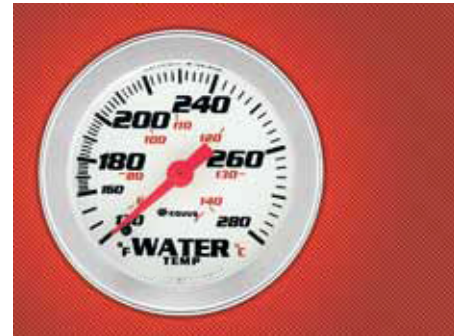
8162 1-1/2" Electric Water Temperature Gauge

- // 100° to 280° F / 40° to 130° C
- // 90° Sweep for quick readings



8242 2" Mechanical Water Temperature Gauge

- // 130° to 280° F / 60° to 140° C
- // 270° Full sweep for increased visibility – foreign and domestic
- // Comes with 72" (6') tube



8164 1-1/2" Electric Oil Pressure Gauge

- // 0 - 100 PSI / 0 - 70 kPa
- // 90° Sweep for quick readings



8262 2" Electric Water Temperature Gauge

- // 130° to 280° F / 60° to 140° C
- // 90° Sweep for quick readings



8257 2" Vacuum/Boost Gauge

- // 0 to 30 in.Hg and 0 to 30 PSI
- // 270° Full sweep for increased visibility



8268 2" Voltmeter

- // 8 to 18 volt range
- // 90° Sweep for quick readings





8243 2" Oil Temperature Gauge
 // 100° - 280° F / 40° to 130° C
 // 90° Sweep for quick readings



8366 2" Air/Fuel Ratio Gauge
 // Connect to oxygen sensor and determine whether the engine is running rich or lean
 // Dual display offers independent readings
 // Useful for tuning carbureted and fuel injected engines



8244 2" Mechanical Oil Pressure Gauge
 // 0 - 100 PSI / 0 - 70 kPa
 // 270° Full sweep for increased visibility



8361 2" Fuel Level Gauge (Ford & Chrysler)
 // Range: Empty=73 Ohm, Full=10 Ohm
 // Compatible with most Ford and Chrysler Senders



8264 2" Electric Oil Pressure Gauge
 // 0 to 100 PSI / 0 - 70 kPa
 // 90° Sweep for quick readings



8362 2" Fuel Level Gauge (GM)
 // Range: Empty=0 Ohm, Full=90 Ohm
 // Compatible with most O.E. GM Sender Units or Equus® #9982 Fuel Level Sender (optional)



8442 2-5/8" Mechanical Water Temperature Gauge
 // 130° to 280° F / 60° to 140° C
 // 270° Full sweep for increased visibility
 // Comes with 72" (6') tube



8444 2-5/8" Mechanical Oil Pressure Gauge
 // 0 - 100 PSI / 0 - 70 kPa
 // 270° Full sweep for increased visibility



8462 2-5/8" Electric Water Temperature Gauge
 // 100° to 280° F / 40° to 130° C
 // 90° Sweep for quick readings



8464 2-5/8" Electric Oil Pressure Gauge
 // 0 to 100 PSI / 0 - 70 kPa
 // 90° Sweep for quick readings



8457 2-5/8" Vacuum/Boost Gauge
 // 0 to 30 in.Hg and 0 to 20 PSI White Dial Face
 // 270° Full sweep for increased visibility



8468 2-5/8" Voltmeter
 // 8 to 18 volt range
 // 90° Sweep for quick readings

Accessories

EQUUS HARDWARE & MOUNTING OPTIONS



9841 Oil Pressure Adapter Kit (U.S. Domestic & Asian)

- // For U.S. Domestic and Asian import vehicles
- // 1/8" -27 NPT to 1/4" -18 NPT and 1/8" -28 BSP



9843 Oil Pressure Adapter Kit (European)

- // For European Vehicles
- // 1/8" - 27 NPT to M10 x 1, M12 x 1.5, M14 x 1.5, 1/4" NPT 18



9848 Oil Pressure and Electronic Temperature Metric Adapter Kit

- // 1/8" -27 NPT to M10 x 1, M12 x 1.5, M14 x 1.5, M16 x 1.5, 1/8" -28 BSP



9832 Electronic Oil Pressure Sender

- // For EQUUS® Electric Oil Pressure Gauges
- // 1/8" - 27 NPT thread with 1/4" NPT adapter



9801 Oil Pressure Nylon Tubing Kit

- // Includes 1/8" 1/4" NPT adapters and 72" nylon tubing to install EQUUS® oil pressure gauges



9901 Oil Pressure Copper Tubing Kit

- // Includes 72" copper tubing and required adapters to install EQUUS® oil pressure gauges



9835 Electric Water Temperature Sender

- // For EQUUS® Electric Water Temperature Gauges
- // 1/8" -27 NPT thread



9861 Electrical Water Temperature Adapter Kit (U.S. Domestic & Asian)

- // For U.S. Domestic and Asian import vehicles
- // 1/8" -27 NPT to 3/8" - 18 NPT, 1/2" - 14 NPT, 1/4" -18 NPT, M16 x 1.5



9862 Electrical Water Temperature Adapter Kit (Asian & European)

- // For Asian and European import vehicles
- // 1/8" -27 NPT to M14 x 1.5, M16 x 1.5, M18 x 1.5, 5/8" - 18 UNF



9851 Mechanical Water Temperature Adapter kit (U.S. Domestic & Asian)

- // For U.S. Domestic and Asian import vehicles
- // 5/8" -18 UNF to 3/8" -18 NPT, 1/4" -18 NPT, 1/2" -14 NPT, M16 x 1.5



9852 Mechanical Water Temperature Adapter Kit (Asian)

- // For Asian import vehicles
- // 5/8" -18 UNF to M16 x 1.5



9853 Mechanical Water Temperature Adapter Kit (European)

- // For European Vehicles
- // 5/8" -18 UNF to M14 x 1.5, M16 x 1.5, M18 x 1.5



9871 Chrysler Cable to fit 5/8" - 18 Adaptor with Cable Extension

// This simple to use Equus adaptor will convert most Chrysler style speedometer cables to our 5/8" - 18 fitting on the speedometer head



9821 2" Chrome Single Gauge Mounting Panel

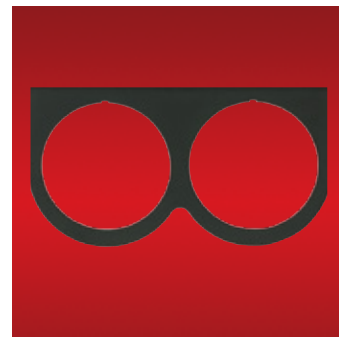
9822 2" Chrome Dual Gauge Mounting Panel

9823 2" Chrome Triple Gauge Mounting Panel



9872 Ford Cable to fit 5/8" - 18 Adaptor with Cable Extension

// This simple to use Equus adaptor will convert most Ford style speedometer cables to our 5/8" - 18 fitting on the speedometer head



9921 2" Black Single Gauge Mounting Panel

9941 2-5/8" Black Single Gauge Mounting Panel

9922 2" Black Double Gauge Mounting Panel

9942 2-5/8" Black Double Gauge Mounting Panel

9923 2" Black Triple Gauge Mounting Panel

9943 2-5/8" Black Triple Gauge Mounting Panel



9873 GM Cable to fit 5/8" - 18 Adaptor with Cable Extension

// This simple to use Equus adaptor will convert most GM style speedometer cables to our 5/8" - 18 fitting on the speedometer head



9925 2" Black Single Gauge Mounting Cup

9945 2-5/8" Black Single Gauge Mounting Cup

9944 2-5/8" Silver Mounting Clamp



9995 Replacement Inductive Pickup for Tachometers

// For all EQUUS® 3-3/8" and 5" Tachometers



9803 Lighting Kit For 2" Gauges

// With metal case only

9805 Lighting Kit for 1-1/2" Gauges

// With metal case only



9982 GM Fuel Level Sender

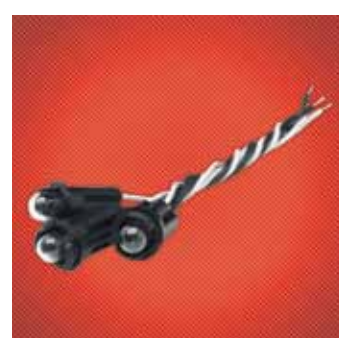
// Fuel sender for EQUUS® gauges item #7362 and #8362



9902 Tachometer Replacement Bulbs (Set of 4)



9903 Gauge & Speedo Replacement Bulbs / Twist-on Socket (Set of 3)

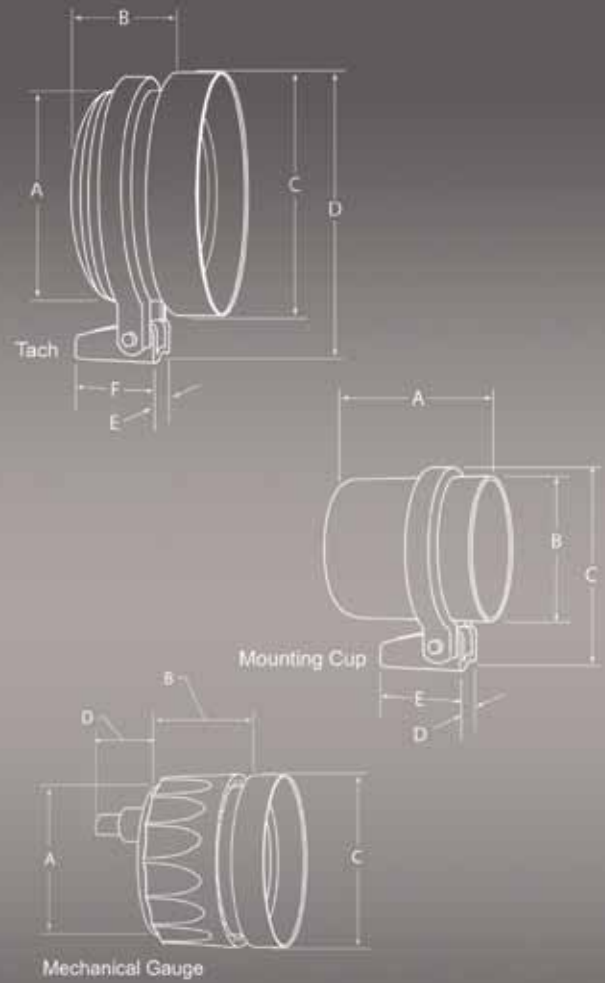


9904 Gauge & Speedo Replacement Bulbs / Push-in Socket (Set of 3)

DIMENSIONS

SPECS FOR INSTALLATION & MOUNTING

Tach	A	B	C	D	E	F
5" Tach	4.57" (116mm)	1.97" (50mm)	4.9" (124mm)	6.00" (152mm)	1.26" (32mm)	1.85" (47mm)
3 3/8" Tach	3.32" (84mm)	1.97" (50mm)	3.59" (91mm)	5.00" (127mm)	1.26" (32mm)	1.85" (47mm)
Mounting Cup						
2 5/8" Mounting Cup	2.56" (65mm)	2.65" (67mm)	3.74" (95mm)	1.26" (32mm)	1.85" (47mm)	n/a
2" Mounting Cup	2.52" (64mm)	2.07" (53mm)	3.15" (80mm)	1.26" (32mm)	1.85" (47mm)	n/a
Mechanical Gauge						
3 3/8" Mechanical Gauge	3.23" (82mm)	2.20" (56mm)	3.77" (96mm)	0.95" (24mm)	n/a	n/a
2 5/8" Mechanical Gauge	2.60" (66mm)	1.77" (45mm)	2.85" (72mm)	0.95" (24mm)	n/a	n/a
2" Mechanical Gauge	1.96" (50mm)	1.22" (31mm)	2.24" (57mm)	0.95" (24mm)	n/a	n/a
1 1/2" Mechanical Gauge	1.52" (39mm)	1.26" (32mm)	1.82" (46mm)	0.95" (24mm)	n/a	n/a



Tachometer Installation Simplified

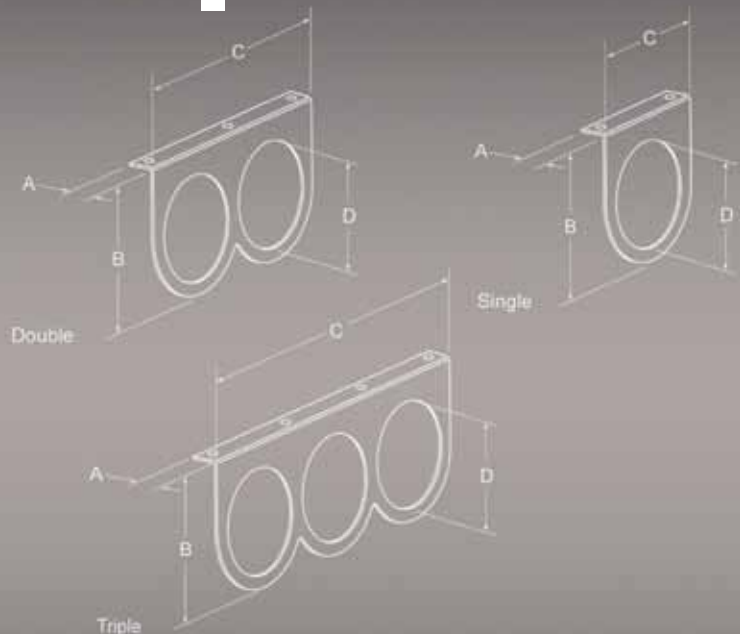
All of the Equus and iEquus Performance™ tachometers are designed to easily install on a majority of Domestic, European and Asian Import vehicles right out of the box. It works with the following ignition systems: distributorless (DI), HEI, conventional and some coil-on-plug systems using one of two optional methods:

- 1. Inductive Pickup*** – simply clamp it to any spark plug wire and connect to the mounted Tach to accurately monitor vehicle RPM.
- 2. Hardwire** – lets die-hard enthusiasts connect directly to signal source, such as the negative side of an ignition coil, for conventional ignition systems.

*U.S. Patent 6,868,369



Triple	A	B	C	D
2 5/8" Triple Mounting Panel	0.87" (22mm)	3.40" (86mm)	9.29" (236mm)	2.62" (67mm)
2" Triple Mounting Panel	0.66" (17mm)	2.91" (74mm)	7.55" (192mm)	2.10" (53mm)
1 1/2" Triple Mounting Panel	0.42" (11mm)	2.35" (60mm)	6.03" (153mm)	1.58" (40mm)
Double				
2 5/8" Double Mounting Panel	0.87" (22mm)	3.40" (86mm)	6.25" (159mm)	2.62" (67mm)
2" Double Mounting Panel	0.66" (17mm)	2.91" (74mm)	5.15" (131mm)	2.10" (53mm)
Single				
2 5/8" Single Mounting Panel	0.87" (22mm)	3.40" (86mm)	3.25" (83mm)	2.62" (67mm)
2" Single Mounting Panel	0.66" (17mm)	2.91" (74mm)	2.72" (69mm)	2.10" (53mm)





9999 Equus Gauge Display (4' x 2')

Save space and show 'em off with ... The Gotta Have Gauge Display

Show off 50 of Equus' most popular gauges and tachometers in one place with the Equus Gauge Display. This lightweight (4'x2') display mounts easily to most retail gondolas, and features non-working samples to help increase demand and reduce theft. No more stacking boxes or worrying about on-shelf inventory. This display has something for everyone with a selection of SKUs from Equus' three complete lines: the 6000 Black, 7000 Chrome, and 8000 Performance series. Increase your sales potential – order the Equus Gauge Display today.

Our Commitment

We strive to be the supplier of choice by offering high quality products, innovative designs and value to our customers. The entire Equus Products, Inc. team wants to thank our distributors and end users for their continued support. We're confident that our gauge line is among the most comprehensive in the market today, but we won't stop here. We're always researching and developing innovative products that meet the needs of our end-users, so just let us know if there's a product you'd like us to consider developing.

We Support:

