

# DOMETIC

# SANITATION

# TOILETS

EN

## Slow-Close Seat Installation Instructions

USA & Canada

Read these instructions carefully. These instructions **MUST** stay with this product.

## 1 GENERAL INFORMATION

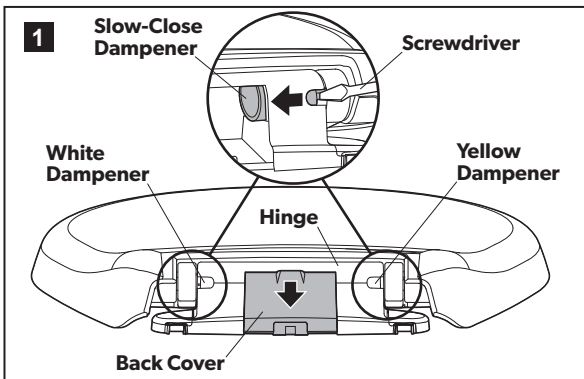
Included Parts	Quantity
Seat Assembly	1
Toilet Seat Bolts	2

### Recommended Tools

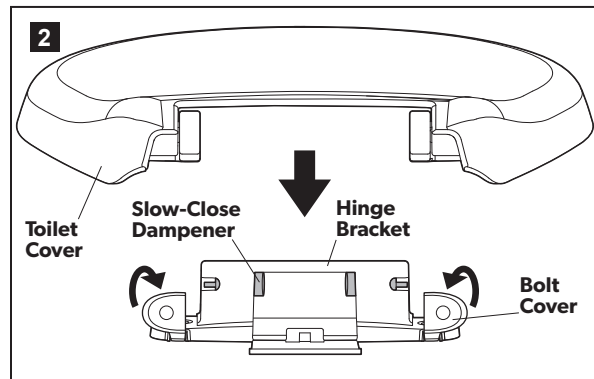
Flat-Bladed Screwdriver

## 2 INSTALLATION

**i** Perform the following installation after the original seat has been removed.



- Open the hinged back cover of the Slow-Close toilet seat to expose the slow-close dampeners.
- Insert a flat-bladed screwdriver into the port on the right side of the toilet seat, as shown. Carefully slide the yellow slow-close dampener toward the center of the toilet seat until the dampener clears the toilet-seat hinge bracket.
- Repeat the process for the white slow-close dampener on the left side of the toilet seat.
- Lift the toilet seat clear of the hinge bracket included with the new seat and set it aside.



- Unsnap the bolt covers on the hinge bracket.
- Position the hinge bracket included with the new seat on the rim of the toilet bowl, and fasten it to the bowl with the included toilet-seat mounting bolts. Snap the bolt covers back into place.
- Place the toilet seat into position onto the hinge bracket.
- Use the flat-bladed screwdriver to carefully slide in the dampeners, until they are completely seated back into position in the hinge bracket.
- Snap the hinge bracket back cover into place.

[View other RV toilet accessories made by Dometic RV on our website.](#)