

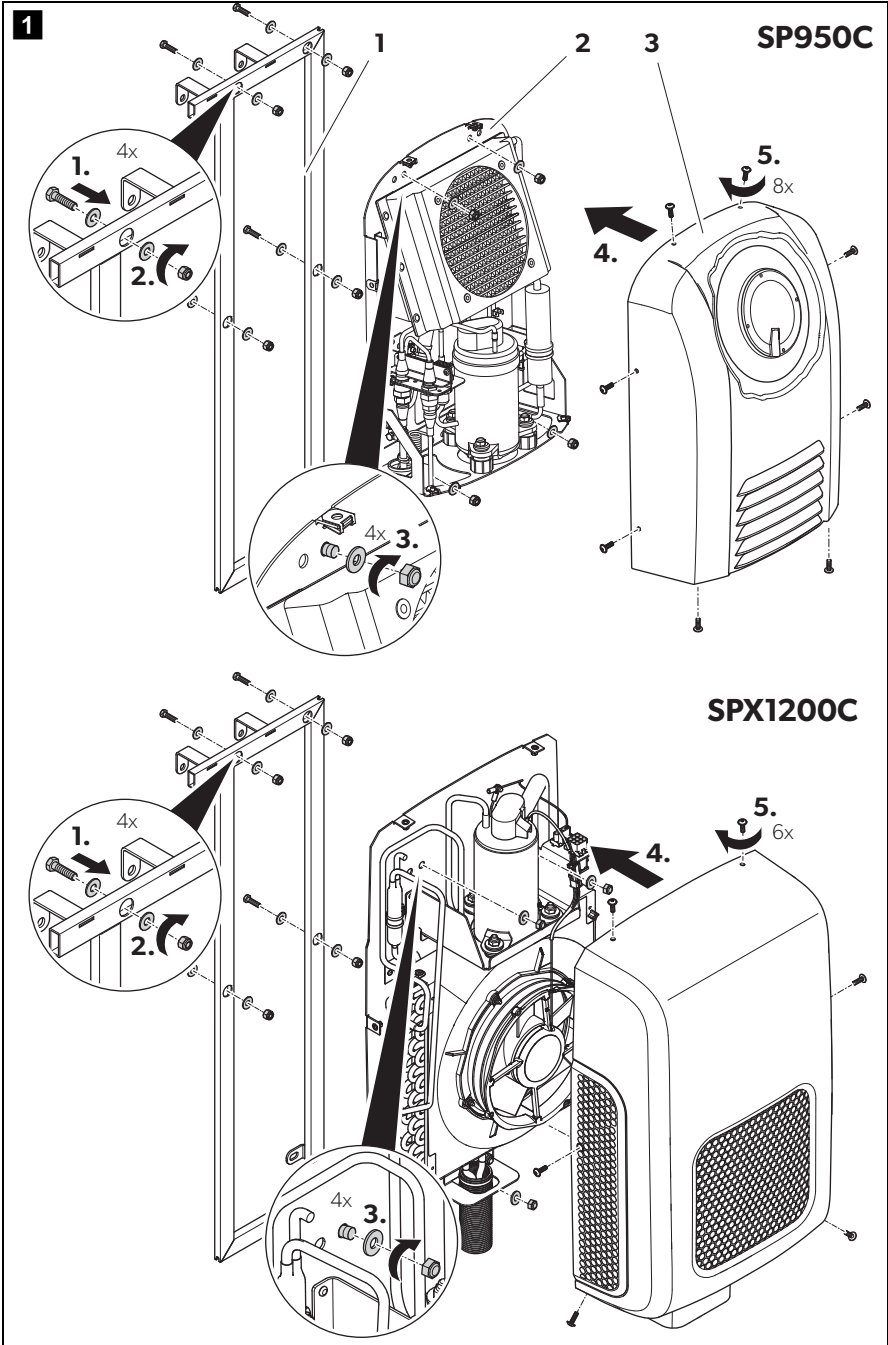
↗ DOMETIC CLIMATE CONTROL COOLAIR

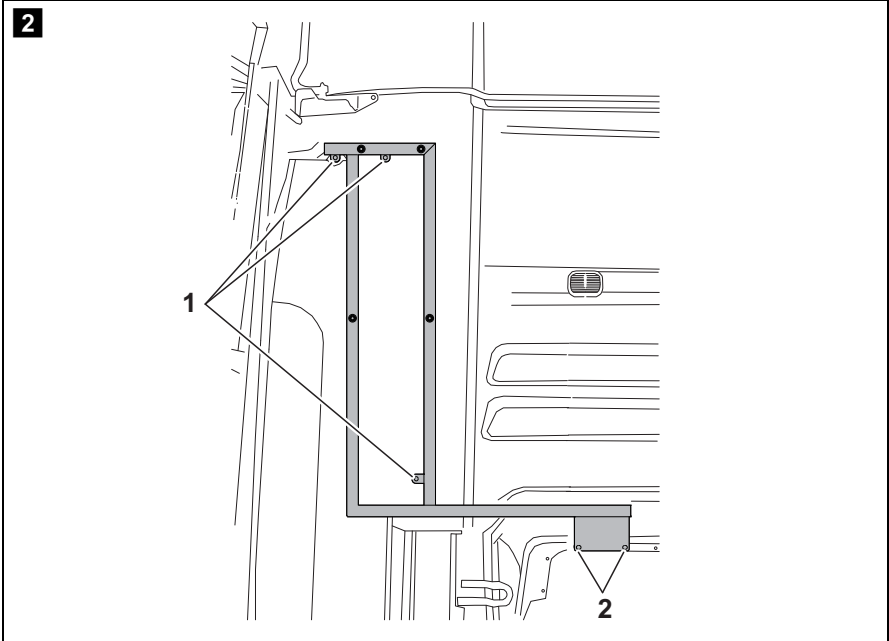


SP950C, SPX1200C

EN

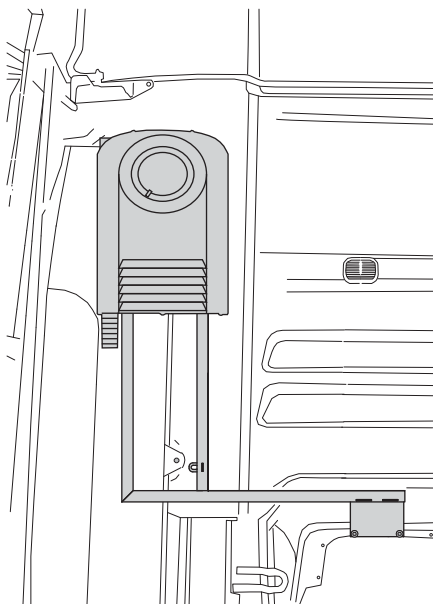
**Fastening frame
for MAN TGS/TGX XXL, XLX**
Installation Manual.



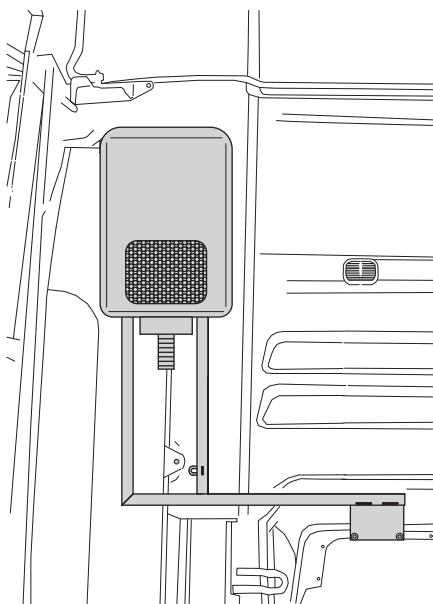


3

SP950C



SPX1200C



Please read this instruction manual carefully before installation and first use, and store it in a safe place. If you pass on the product to another person, hand over this instruction manual along with it.

1 General safety instructions

The manufacturer accepts no liability for damage in the following cases:

- Damage to the product resulting from mechanical influences and incorrect connection voltage
- Alterations to the product without express permission from the manufacturer
- Use for purposes other than those described in the operating manual



NOTICE!

The freedom of movement of semi-trailers (of the outer edges of the semi-trailer when turning or jackknifing) and other vehicle attachments must not be restricted.



NOTE

Observe the safety instructions in the installation manual for the parking cooler.

2 Scope of delivery

Installation kit for MAN TGA/TGX XLX, XXL

Quantity	Designation
1	Fastening frame
1	Installation manual
7	U washer M8 (d1 = 8.4 mm, d2 = 20 mm)
2	Bolt M8 x 16
4	Bolt M8 x 30
12	U washer M8 (d1 = 8.4 mm, d2 = 16 mm)
13	Nut M8, self-locking

Before starting the system, check that all the parts belonging to the scope of delivery are present.

3 Target group for this manual

The installation information in this manual is only intended for qualified personnel at workshops, who are familiar with the guidelines and safety precautions to be applied during the installation of vehicle accessory parts.

4 Intended use

The fastening frame is used for installing the condenser unit SP950C or SPX1200C for the parking cooler SP950 or SPX1200, respectively, to the following vehicles: MAN TGA/TGX XLX, XXL. The fastening frame is attached on the left of the rear cab wall.

When fastening the fastening frame, use existing fastening points on the vehicle. You do not need to drill new holes.

5 Fitting the fastening frame



NOTICE!

Observe the information in the installation manual when fitting the parking cooler.



NOTE

Operating instructions can be found in the operating manual for the parking cooler.

Basic assembly is described in fig. **1**, page 3:

Item	Designation
1	Fastening frame
2	Condenser unit
3	Cover

Fit the fastening frame and the condenser at the MAN TGA/TGX XLX, XXL as follows:

**NOTE**

Only install the condenser unit after you have attached the mounting frame on the rear wall of the truck.

- ▶ Insert and tighten the four M8 x 30 bolts, eight U washers M8 8.4 x 16 mm and four M8 retaining nuts (fig. **1**, page 3) in the mounting frame for the condenser unit.
- ▶ Remove the existing nuts (fig. **2 1**, page 4) from the fastening of the air filter housing.
- ▶ Fasten the fastening frame to the fastening bolts using the M8 8.4 x 20 mm U washers and M8 retaining bolts provided (fig. **2 1**, page 4).
- ▶ Attach the mounting frame to the bottom of the bracket with the M8 x 16 bolts, U-washers M8 8.4 x 20 mm and M8 retaining nuts provided (fig. **2 2**, page 4).
- ▶ Place the condenser unit on the projecting bolts of the mounting frame and bolt to the four U washers M8 8.4 x 16 mm and four M8 retaining nuts.
- ▶ Check that all bolts are still tight after travelling approximately 200 km.