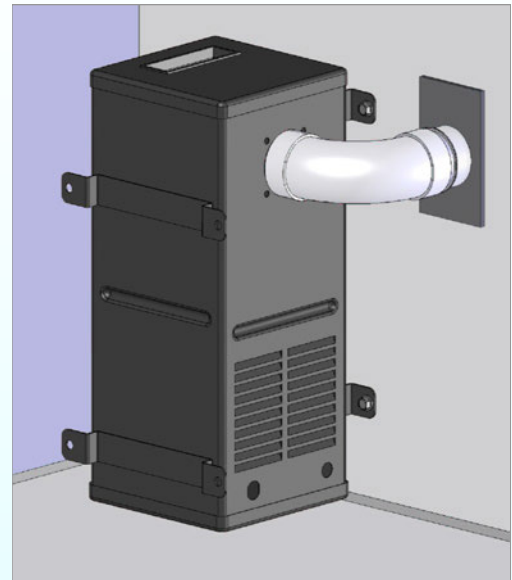
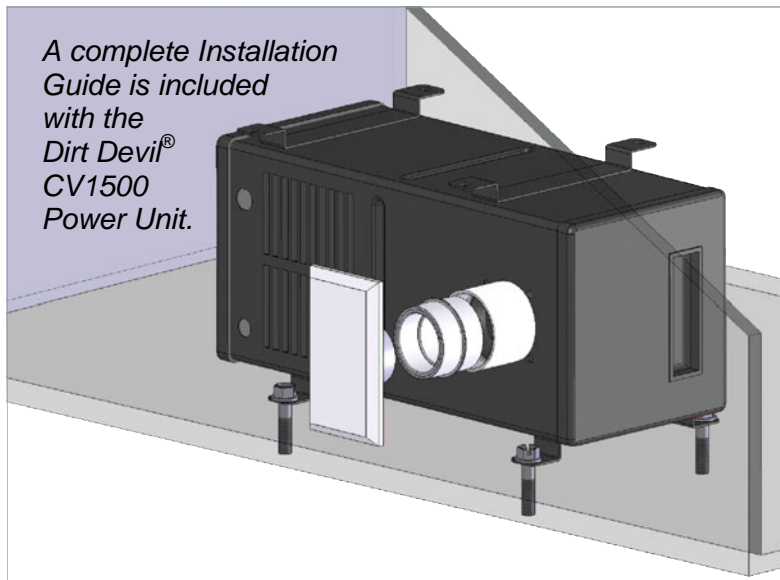
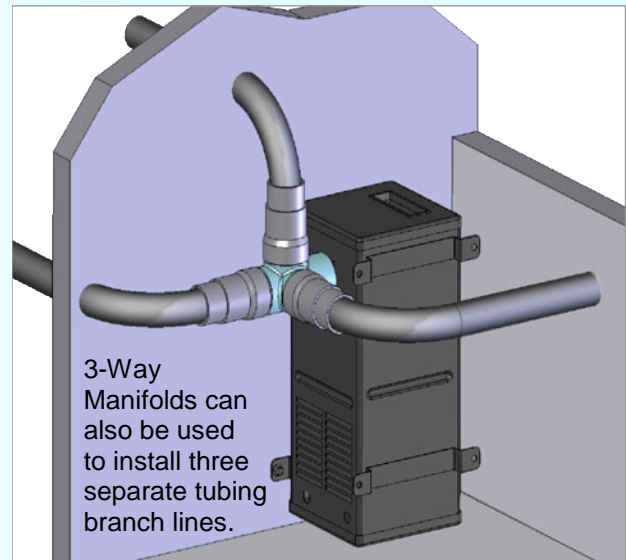
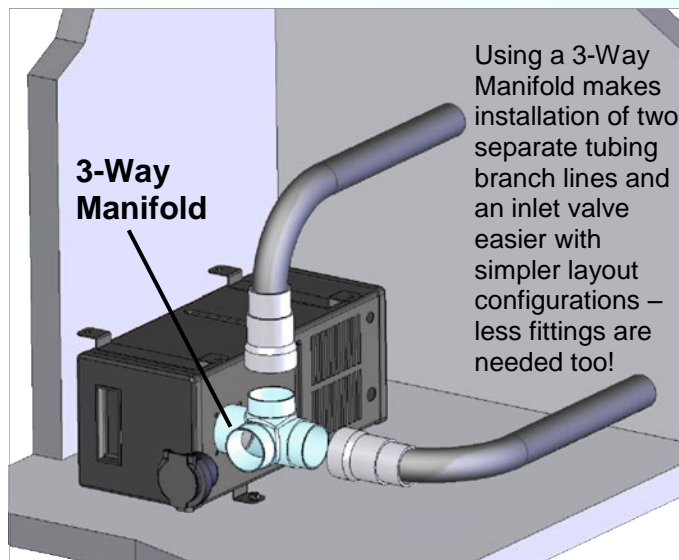


## Quick and Easy Installation

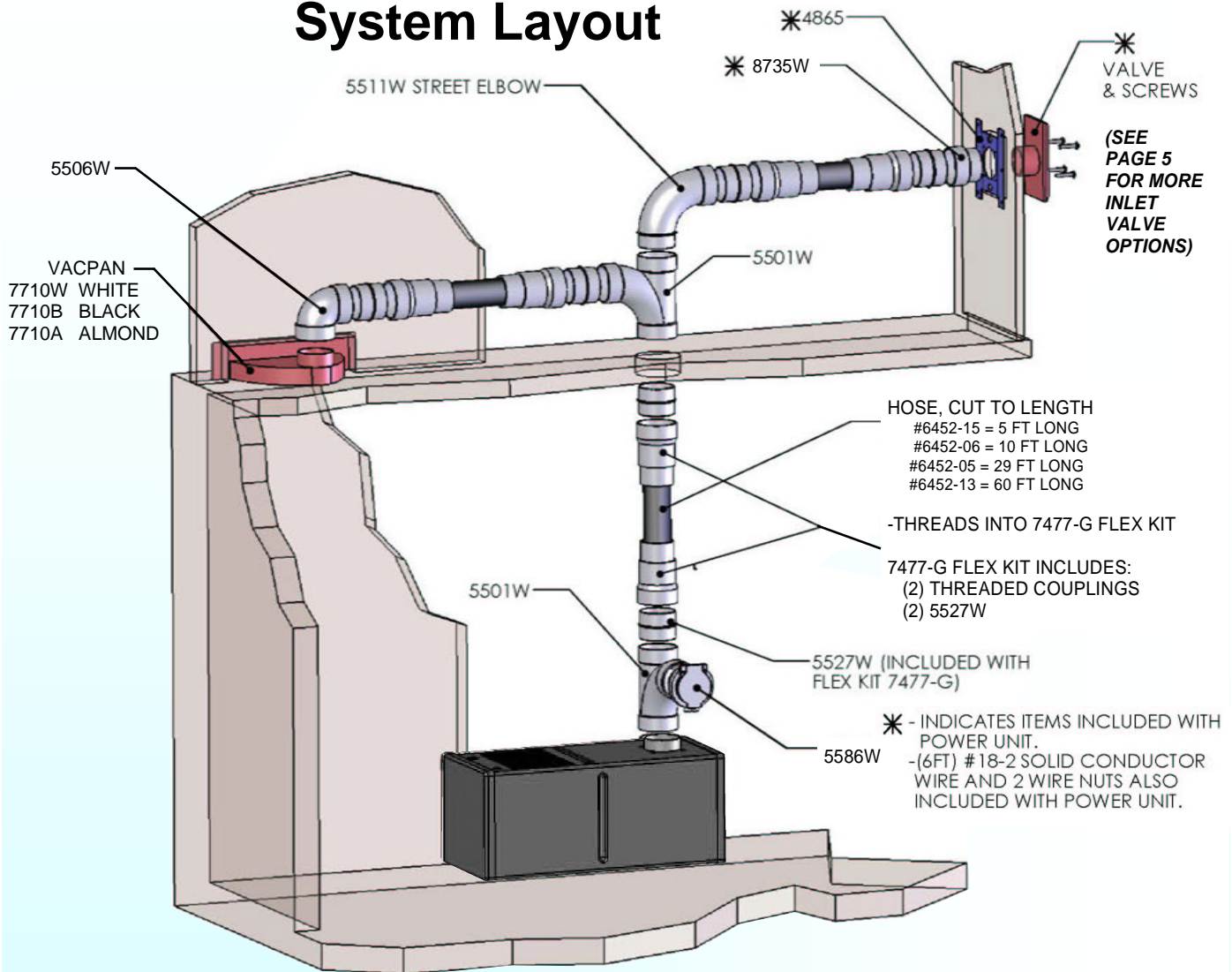
The compact (6.25" x 7" x 14.5"), lightweight (14 pounds), 120-volt CV1500 power unit is quick and easy to install in a space as small as 10" x 20" – perfect for installing under seats, inside closets or in storage compartments. Using the mounting brackets already attached to either side of the power unit, the CV1500 can be top or bottom mounted, and installed horizontally or vertically. The power unit and inlet valve can also be installed up to five feet apart using an optional Flex Connector Kit.



## Sample Layouts Using 3-Way Manifold (#8727)



# Dirt Devil® CV1500 Central Vacuum System Layout



**ADDITIONAL ACCESSORIES:**

- |                    |   |
|--------------------|---|
| 5149 - WIRE NUTS   | 5148-6 - #18-2 SOLID CONDUCTOR WIRE (6 FT)        |
| 5038 - PVC SOLVENT | 5148-14 - #18-2 SOLID CONDUCTOR WIRE (14FT)       |
|                    | 5139W - #18-2 SOLID CONDUCTOR WIRE (100 FT) SPOOL |
|                    | 5018W - VALVE STEM EXTENSION USED FOR THICK WALLS |
|                    | 5510W - 90° ELBOW (NOT STREET)                    |

**NOTES:**

- 1) This illustration shows a typical installation. Many different mounting configurations can be achieved by using these standard components.
- 2) Rigid PVC tubing (#6928W) may be used in place of flexible hose (6452-06, -05, -13) and the flex kit (#7477-G).