

OPERATORS MANUAL

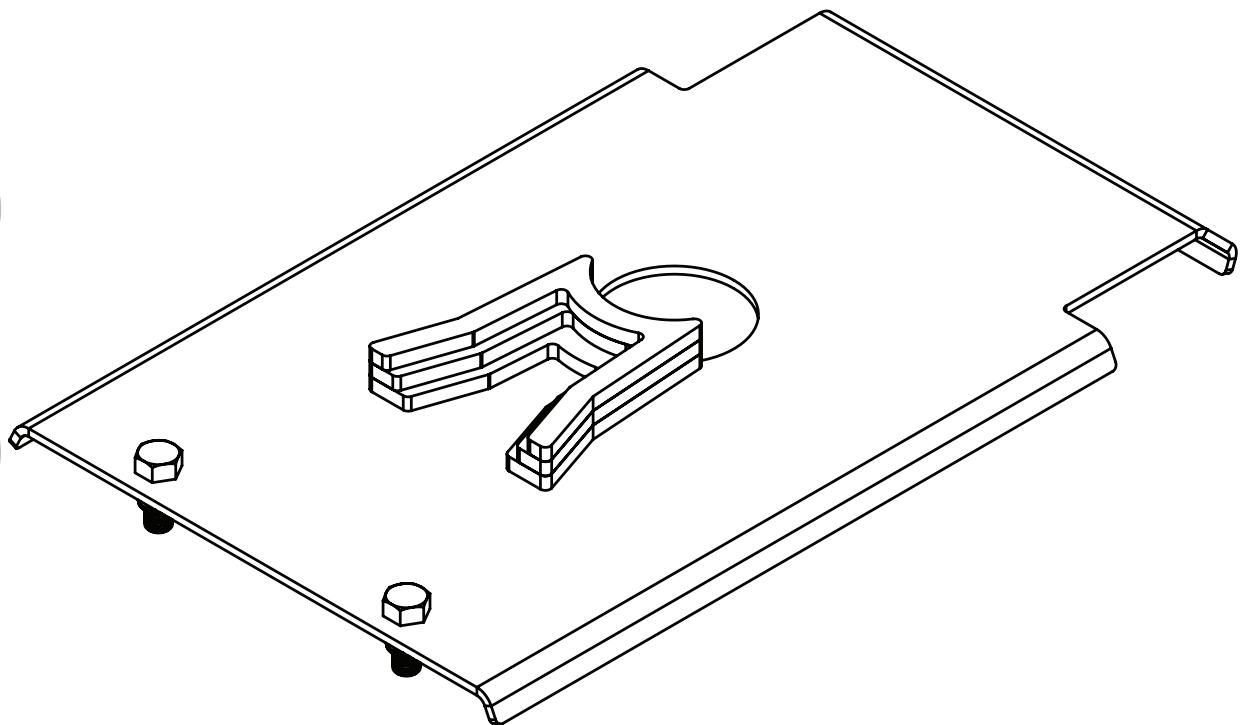


9-15
HJ26062 Rev 1



5th Wheel Locking Plate

6062 - Extended 5th Airborne

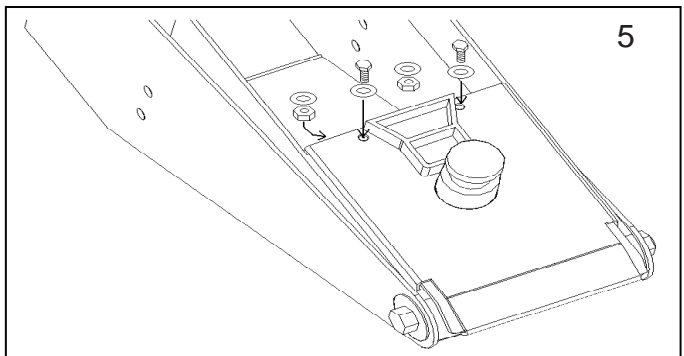
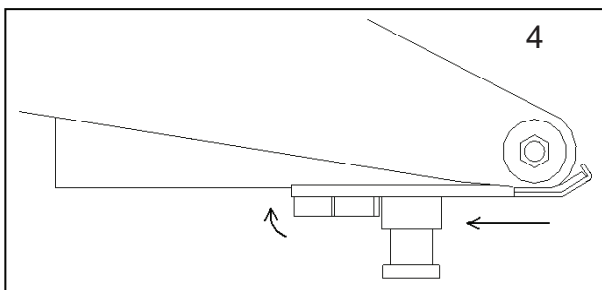
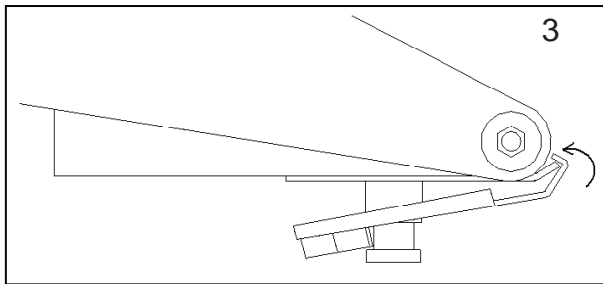
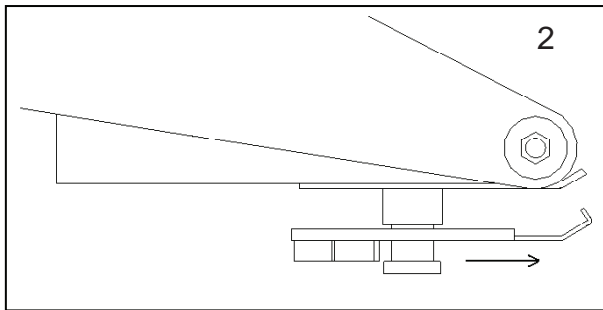
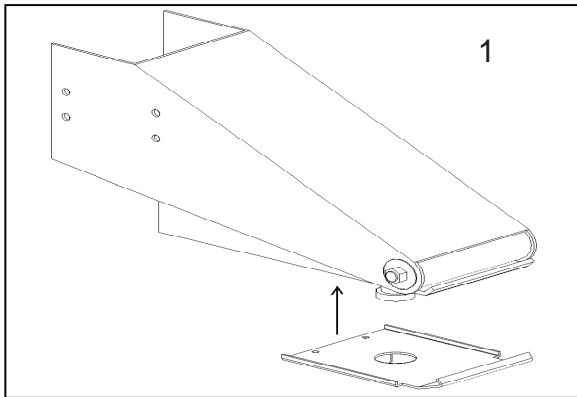


READ *complete manual CAREFULLY
BEFORE attempting operation.*

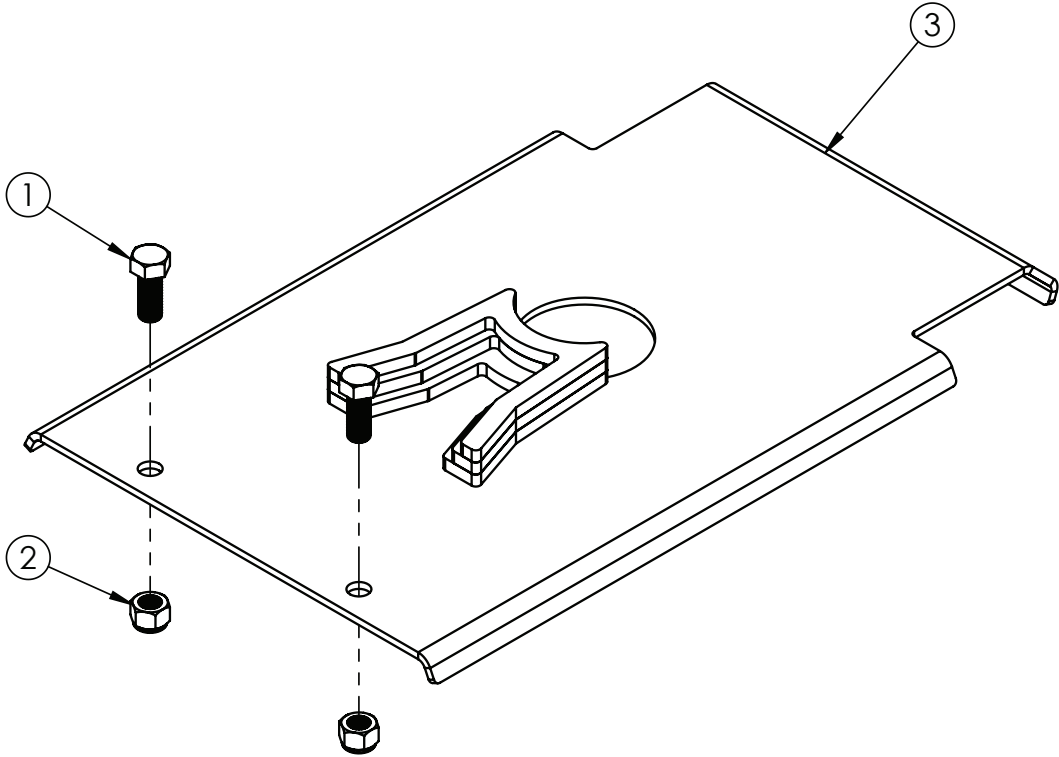
Doing Our Best to Provide You the Best

6062 Standard 5th Airborne Locking Plate Instructions

1. Place locking plate up under pin box, inserting the king pin through the hole opening (drawing 1).
2. Once the hole clears the collar on the bottom of the king pin and is even with the 2" diameter middle, pull the locking plate towards the front (drawing 2) so bent lip can clear front bend of pin box plate (drawing 3).
3. Push locking plate back to clear top shoulder of king pin and press up flush against the trailer king pin plate (drawing 4).
4. Fasten to king pin with 3/8" bolts and nuts using existing holes in king pin skid plate at rear. Push bolts with a washer up through the locking plate and have the nut and washer on the inside portion of the king pin box. Tighten securely (drawing 5).
5. Locking plates on hitch head are not needed when using this kit. They can be extended all the way out or removed.



6062 Parts Breakdown



6062 Parts Breakdown

ITEM	PART #	QTY	DESCRIPTION
1	00967	2	BOLT, .50NC X 1.25
2	02178	2	NUT, .50NC LOCK, NY. INSERT
3	14576-76	1	LOCKING PLATE

Please order replacement parts by PART NO. and DESCRIPTION.