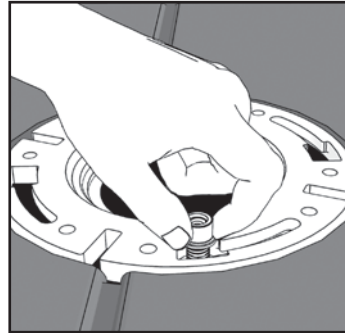
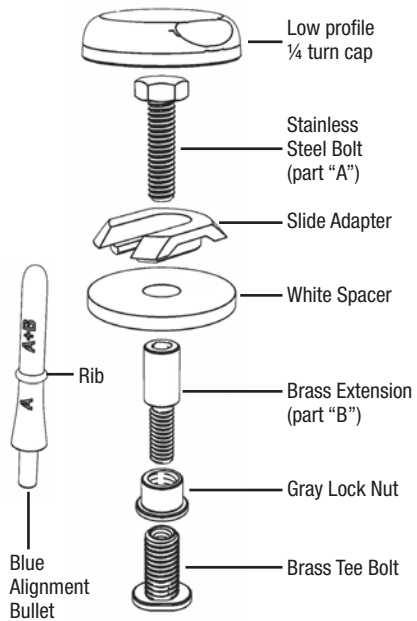


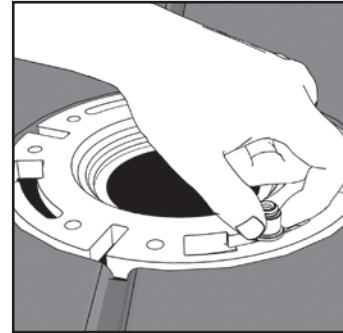
ZERO CUT BOLTS™

Installation Instructions

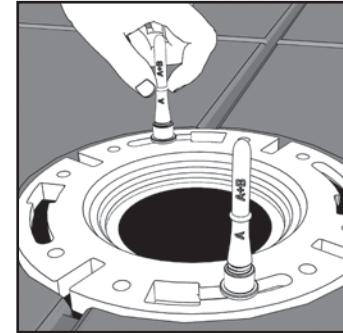
WARNING:
DO NOT USE A TOOL TO TIGHTEN BOLTS OR SLIDING ADAPTERS. USE OF A TOOL WILL VOID WARRANTY AND POTENTIALLY CRACK TOILET CAUSING PROPERTY DAMAGE OR INJURY.



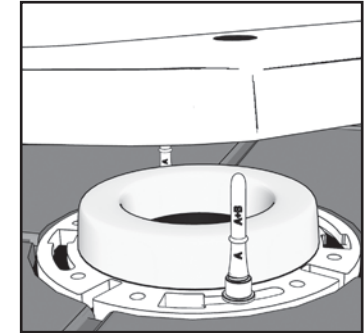
With Gray Lock Nut loosened, Insert Brass Tee Bolt into toilet bolt slot.



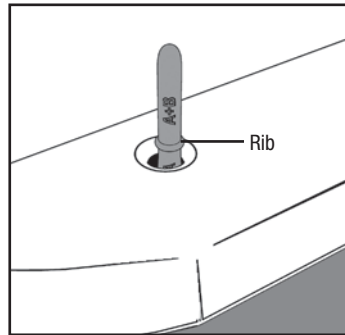
Center Tee Bolt and hand tighten Gray Lock Nut.



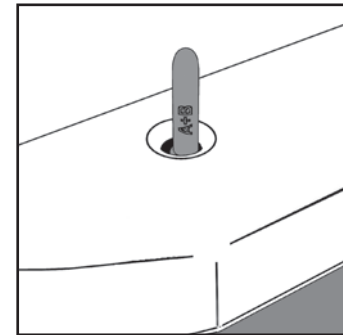
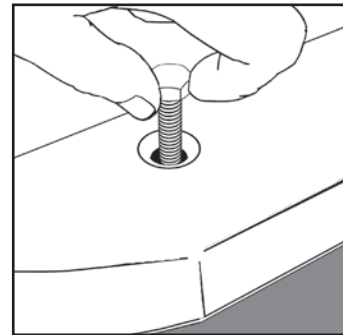
Insert Alignment Bullet into Brass Tee Bolt Opening.



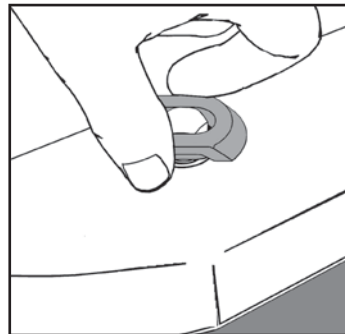
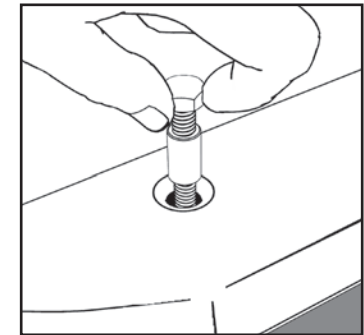
Add wax seal and set toilet using Alignment Bullet to position toilet. Apply body weight to help compress wax seal. Check Alignment Rib before removing.



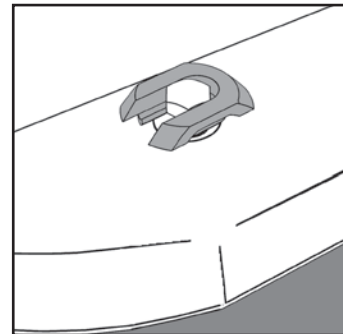
If Rib on Alignment Bullet is ABOVE toilet base insert stainless steel bolt and start thread in Brass Tee Bolt.



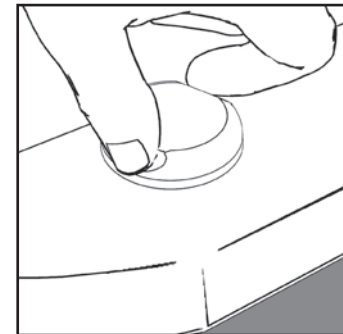
If the Rib on the Alignment Bullet BELOW toilet base thread Stainless Steel Bolt into Brass Extension, and then thread in Brass Tee Bolt.



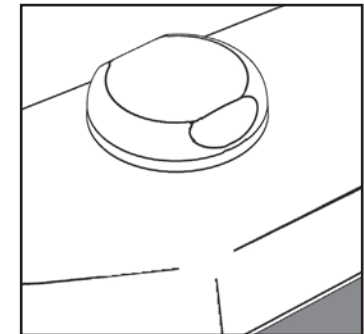
Slip Sliding Adapter over Stainless Bolt head. Gripping the flat sides of Sliding Adapter, tighten down by hand.



Do not use a tool to tighten Bolt or Sliding Adapter. Only use White Spacer when Brass Extension and Bolt will not tighten down all the way. Opening of Slide Adapter should face front or back of toilet (see diagram).



Align flats on Low Profile Cap onto Sliding Adapter and rotate a quarter turn.



CONGRATULATIONS! You have set the toilet.

Next™ by Danco™