

HYDROSEAT®

INSTALLATION INSTRUCTIONS

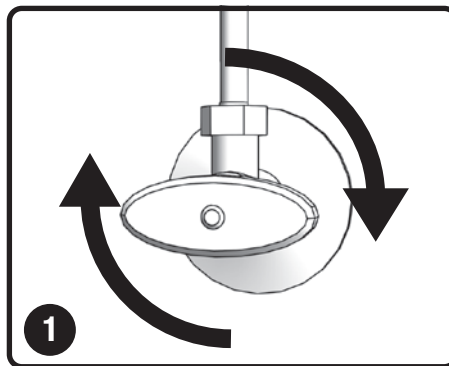
WARNING

DO NOT overtighten nuts or tank/bowl may crack.

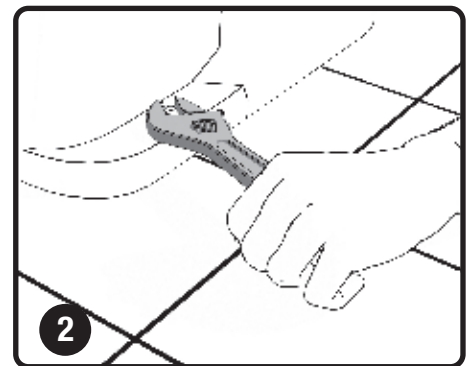
DO NOT USE PLUMBER'S PUTTY

TOOLS NEEDED:

- Pliers or adjustable wrench
- Screw driver or screw gun
- Putty knife
- Wax ring (depending on the depth of your flange)
- Bucket, sponge, paper towels
- Old towel or rug



Shut off the water to the tank and disconnect the supply line from tank. Flush toilet and hold tank lever down to drain water from tank. Sponge out water from tank and bowl.

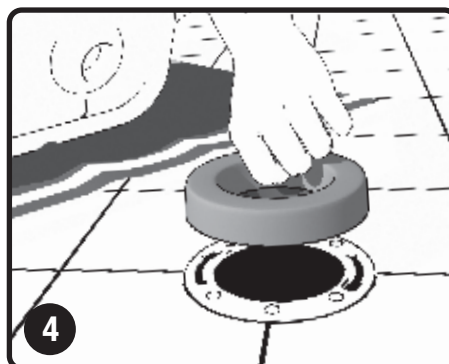


Remove decorative caps that are covering the bolts, and set aside for later use. Loosen and remove nuts and washers that are holding toilet in place.



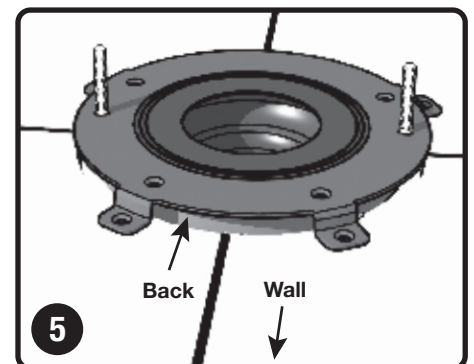
**WARNING: TOILETS ARE HEAVY!
THIS MAY REQUIRE 2 PEOPLE**

Remove toilet – you may need to gently rock the toilet to break the seal. Lay down large towel or old rug and relocate toilet onto the rug. **CAREFULLY** lay the toilet on its side or tilt toilet and wipe off old, waxy residue from underside of toilet base with paper towels.



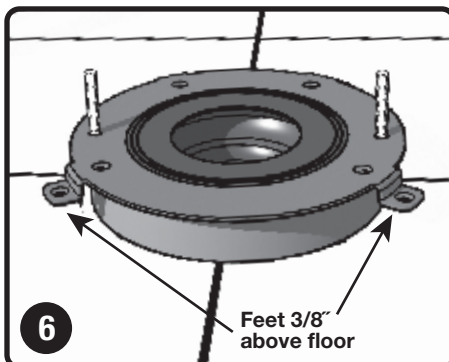
Remove bolts from floor flange and set aside. If floor flange is damaged, replace. Use putty knife to scrape off wax and residue from the floor flange. Wipe clean with paper towels. If old bolts are being re-used to set toilet, wipe clean with paper towel and re-install them in floor flange. If using new bolts, place bolts in floor flange. Set wax ring onto floor flange, making sure to center over pipe opening.

Note: Not compatible with the Perfect Seal product.



Place Metal HydroSeat over the opening (with the BACK towards the wall).

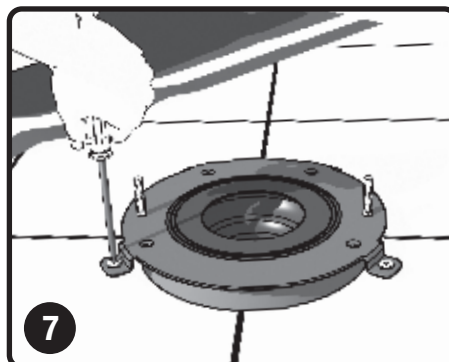
If the angled feet touch the floor without pressing down on the wax, then a thicker or additional wax ring is needed.



Feet 3/8" above floor

If the angled metal feet are more than 3/8" above floor, then remove the HydroSeat and use your hand to press down to evenly flatten out the wax.

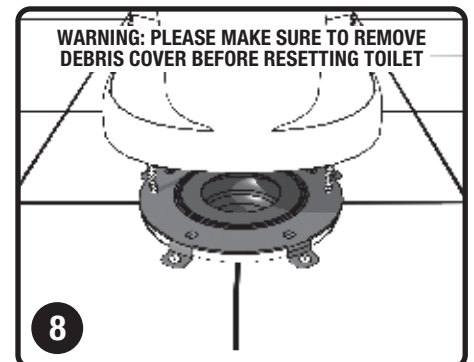
Replace the HydroSeat and recheck height until the feet are about 3/8" above the floor.



Center bolts from the back wall. The bolts should be parallel with the wall so that the toilet will be straight.

Note: Based on the flooring material, you may need to pre-drill the screw holes or use alternative fasteners.

Screw HydroSeat down evenly, alternating sides, until screws are snug, using included or other appropriate fasteners, based on the floors surface.



WARNING: PLEASE MAKE SURE TO REMOVE DEBRIS COVER BEFORE RESETTING TOILET

Line up bolts through the holes in base and reset the toilet. Tighten nuts to secure toilet to the HydroSeat. Do not overtighten. Reconnect water supply line (we recommend replacing old, stiff supply line, with a new flexible supply line) Turn on water and check supply line for leaks. Allow toilet to fill. Flush to check for leaks.