



Installation Instructions For  
**Soap Dispenser with 4 Foot Hose & Stopper**

**Tools Required:** Pliers

**Install The Base** Figure #1

1. Pass base assembly (A) and rubber gasket (B) through sink hole opening from the top of the sink.
2. Secure the base assembly to the sink from the under side using metal washer (C) and nut (D).

**Use With Included Bottle** Figure #2

1. Screw bottle (E) in to base assembly (A) from the under side of the sink.
2. Fill the attached bottle by pouring soap through the base assembly into the attached bottle.
3. Push 7 in. tubing into the bottom of the head assembly (F).
4. Insert head assembly into base assembly (A).

**Use With 4 Foot Hose** Figure #3

1. Attach one end of the 4 ft. hose (G) to the head assembly (F).
2. From the top of the sink, run the 4 ft. hose through the base assembly (A).
3. From under the sink, slide the stopper (H) on to the 4 ft. hose, leaving about 12 in. hanging out.
4. Unscrew the cap from an existing bottle of soap (J).
5. Push the loose end of the 4 ft. hose into the bottle of soap and secure by pushing the stopper into the bottle opening.
6. If desired, cut the hose to appropriate length and reinstall into the bottle of soap.

**HELPFUL HINT - Please Read!**

**You Must Prime The Pump Prior To Initial Use**

Start by depressing the soap dispenser 5 times. Wait a few seconds and depress again 5 times. Repeat this process until soap comes out of the dispenser (depending on length of the hose, you may need to repeat the "pump and wait" process up to 20 times).

**Note:** You only need to prime the pump during the initial installation.

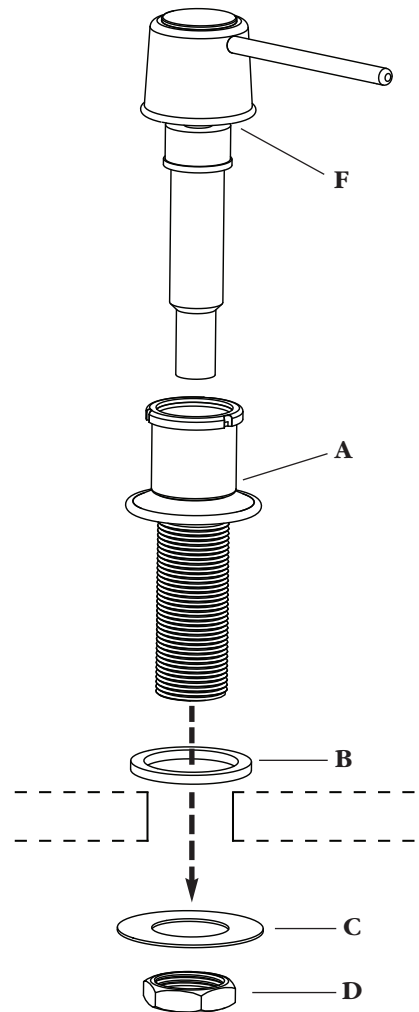


Figure #1

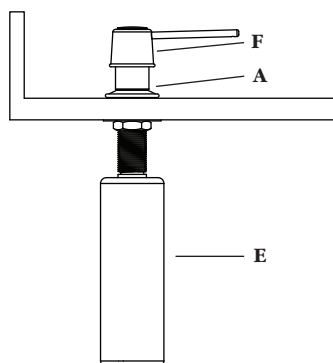


Figure #2

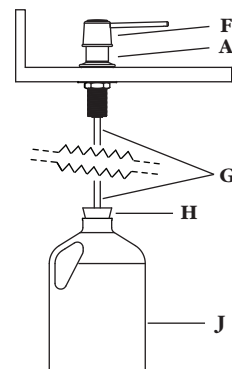


Figure #3