



INSTRUCTIONS – UNIVERSAL TRIM KIT FOR MOEN®

* ADDITIONAL INFORMATION

To properly install this product, a 3-1/2 inch round opening in the wall is required for the offset portion of the faceplate trim to recess in, or else it will protrude from the wall.

Before you begin

FOR QUICK & EASY
3D ASSEMBLY INSTRUCTIONS

BILT™ Download the FREE App



1 Correct Valve Identification Figure 1

Before removing the old tub/shower faucet trim or handles, please determine the configuration of the valve body.

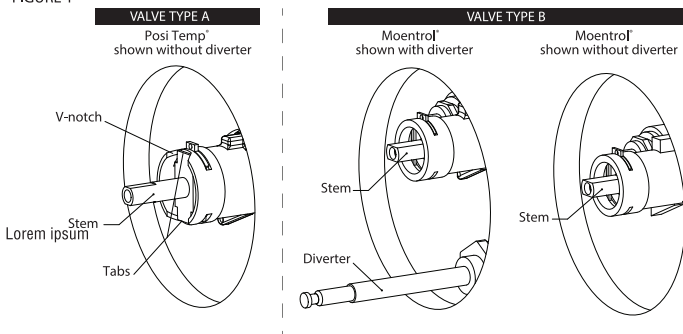
To turn the water from OFF to ON, do you:

- 1) ROTATE handle right to left (counter-clockwise)
If you ROTATE the handle from right to left you have Valve Type A (Posi Temp®)
- 2) PULL the handle
If you PULL the handle to turn the water ON, you have Valve Type B (Moentrol®)

Please Note:

If you use a diverter, Fig. 1 shows with and without diverter applications. Metal lever handles do not work with valves that include diverter. If diverter is used, you must use clear, plastic handle. Check screw hole pattern for Valve Type B. Mounting screws are located: at a 2 o'clock & 7 o'clock position or at a 5 o'clock & 7 o'clock position. Note which one is used.

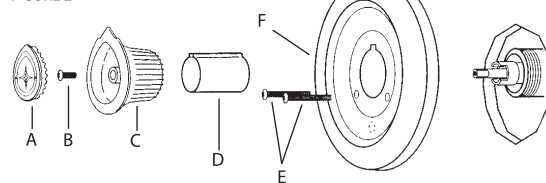
FIGURE 1



2 Removal of Old Trim Figure 2

1. Shut off water supply to tub/shower faucet. This may require shutting off the main water supply to the house or facility. Once the water supply is shut off, turn on the faucet to allow the water pressure to be released, then reclose faucet.
2. Remove the handle index button (A) from the old handle (Fig. 2). Remove handle screw (B) and handle (C).
3. Remove faceplate screws (E) and old faceplate (F). Slide off body sleeve (D).
4. Confirm correct valve selection after removing old trim (see Fig. 1)

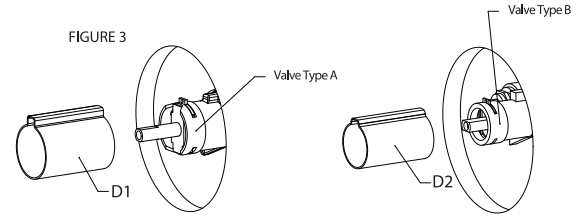
FIGURE 2



3 Installation of Faceplate Figures 3, 4

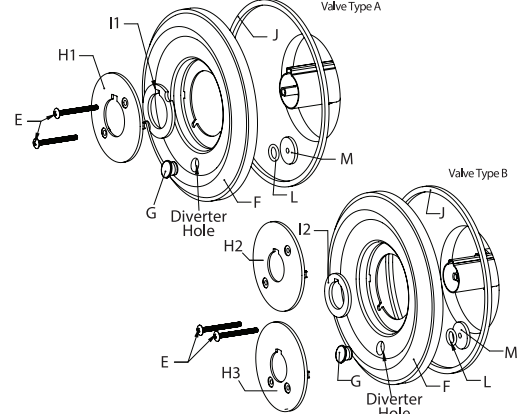
1. Slide tube (D) over valve body (Type A) or (Type B).
Note: Larger diameter tube (D1) is used for Type A valves. Smaller diameter tube (D2) is used for Type B valves.

FIGURE 3



2. Locate new faceplate (F). If valve body includes diverter, remove o-ring (L) and diverter plug (G) from faceplate (F). Remove paper backing from diverter foam gasket (M) and adhere to the back of the faceplate (F) around the diverter hole (K). If no diverter is used, leave diverter plug (G) in place and proceed to Step 3.
3. Select the correct faceplate insert (H). The insert with the larger inner diameter is for Type A valves; the insert with the smaller inner diameter is used for Type B valves. Note the screw locations for Type B valves and select the appropriate faceplate insert. Remove the paper backing from the appropriate tube gasket (I) and adhere to the back side of the appropriate faceplate insert (H).
4. Snap the faceplate insert (H) in to the front of the faceplate (F). Press firmly to snap in place.
5. Place the faceplate gasket (J) into the back of the faceplate (F).
6. Place the faceplate assembly over the tube (D), make sure the diverter hole (K) is located downward. Press the faceplate assembly firmly against the wall. Secure the faceplate to the valve body using the included faceplate screws (E).

FIGURE 4



4 INSTALLATION OF HANDLE

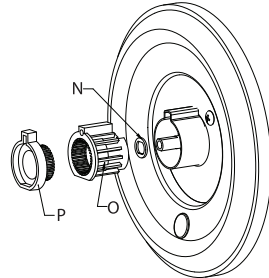
A Valve Type A Applications Figures 5, 6, 7

1. Slide stem washer (N) over valve stem (Fig. 5).
2. Insert bushing (O) into tube. **Note:** Preassembled together in package
3. Ensure stop (P) is inserted into Bushing (O).
Note: This is a temperature limiting device. Rotate the stop (P) clockwise and press in to place to limit hot water output. **(!) THIS DOES NOT REDUCE THE NEED TO LOWER THE TEMPERATURE OF THE WATER HEATER TO PREVENT SCALDING.**

Determine handle type to be used.

Note: Metal lever handles do not work with valves that include diverter.

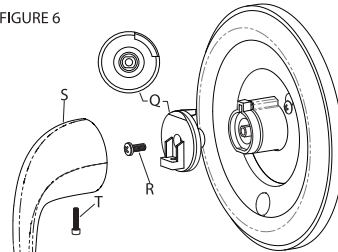
FIGURE 5



For Metal Lever Handle Figure 6

1. Locate metal handle adapter (Q). Place handle adapter over stem, secure in place using screw (R), making sure orientation is downward.
2. Place metal, lever handle (S) over metal handle adapter (Q) and secure using hex screw (T) from underside of handle with Allen Wrench (K).

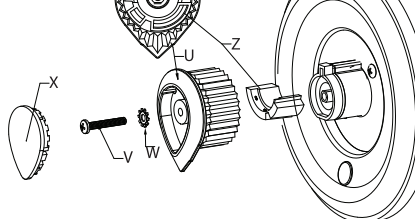
FIGURE 6



For Clear Plastic Handle Figure 7

1. Locate clear plastic handle (U). Remove the handle index button (X). Make sure plastic adapter (Z) is removed from handle. Place handle over valve stem, pointed downward. Using 1-1/4" screw (V) and lock washer (W), secure in place.
2. Press handle index button (X) into clear plastic handle.

FIGURE 7



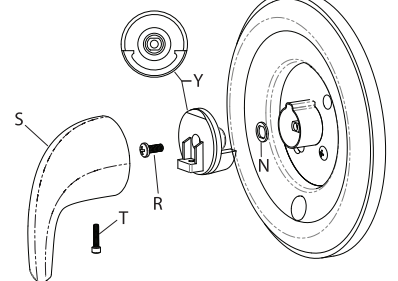
B Valve Type B Applications Figures 8, 9

1. Slide stem washer (N) over valve stem. Locate metal handle adapter (Y). Place handle adapter over stem, secure in place using screw (R), making sure orientation is downward.
2. Place metal lever handle (S) over handle adapter (Y). Secure using hex screw (T) from underside of handle with Allen Wrench (K).

For Metal Lever Handle Figure 8

1. Slide stem washer (N) over valve stem. Locate clear, plastic handle (U). If not already installed, install plastic adapter (Z) into clear, plastic handle.
Note: Press adapter (Z) firmly in to handle (U). When fully installed, adapter will be even with the bottom of handle. Place handle assembly over valve stem, pointed upward. Using 1-1/4" screw (V) and lock washer (W), secure in place.
2. Press handle index button (X) into clear plastic handle.

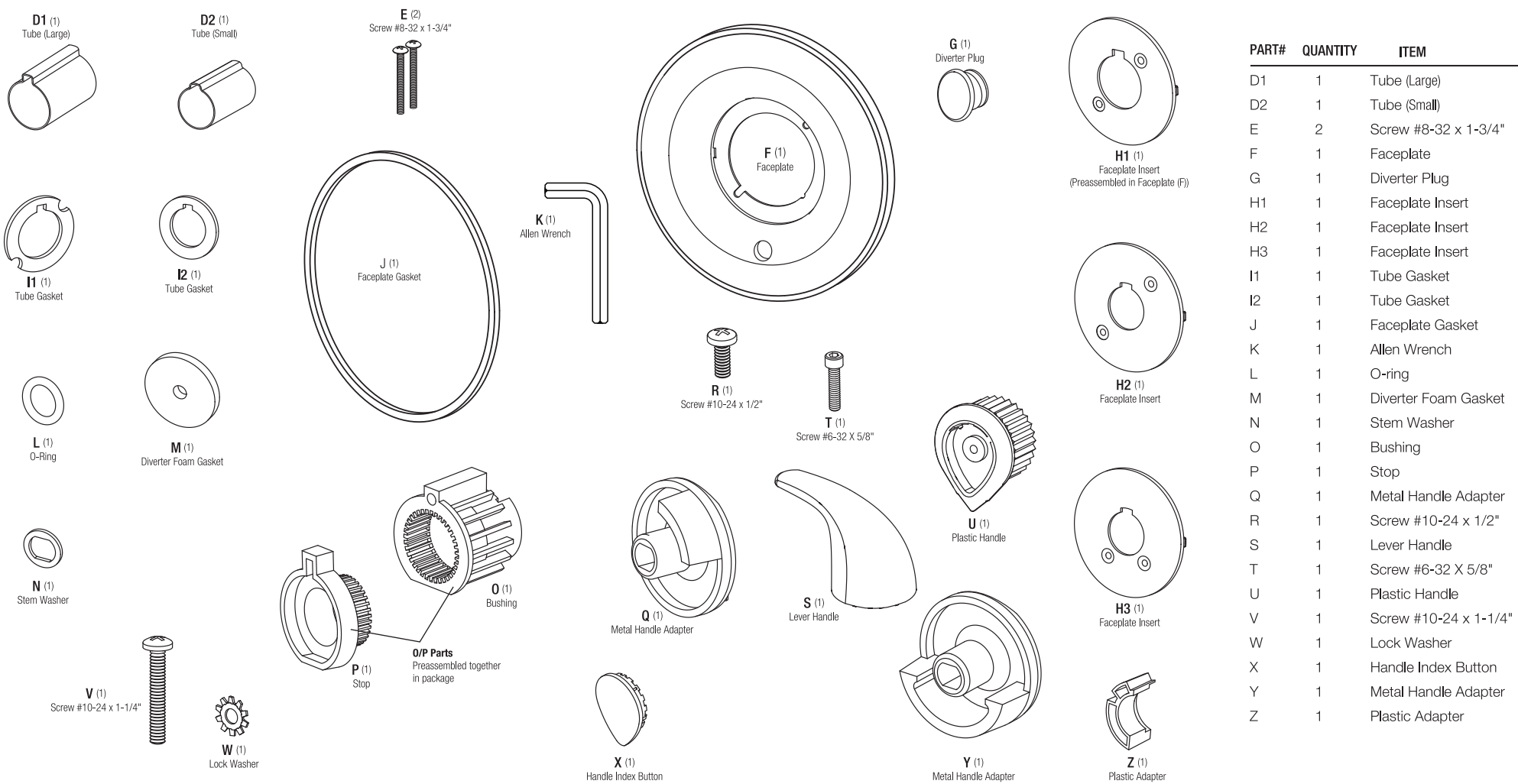
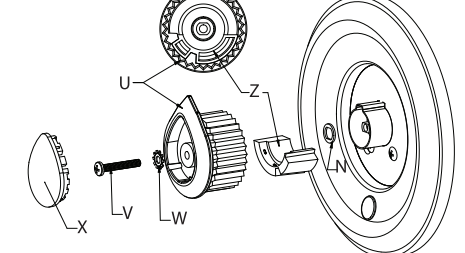
FIGURE 8



For Clear Plastic Handle Figure 9

1. Slide stem washer (N) over valve stem. Locate clear, plastic handle (U). If not already installed, install plastic adapter (Z) into clear, plastic handle.
Note: Press adapter (Z) firmly in to handle (U). When fully installed, adapter will be even with the bottom of handle. Place handle assembly over valve stem, pointed upward. Using 1-1/4" screw (V) and lock washer (W), secure in place.
2. Press handle index button (X) into clear plastic handle.

FIGURE 9



PART#	QUANTITY	ITEM
D1	1	Tube (Large)
D2	1	Tube (Small)
E	2	Screw #8-32 x 1-3/4"
F	1	Faceplate
G	1	Diverter Plug
H1	1	Faceplate Insert
H2	1	Faceplate Insert
H3	1	Faceplate Insert
I1	1	Tube Gasket
I2	1	Tube Gasket
J	1	Faceplate Gasket
K	1	Allen Wrench
L	1	O-ring
M	1	Diverter Foam Gasket
N	1	Stem Washer
O	1	Bushing
P	1	Stop
Q	1	Metal Handle Adapter
R	1	Screw #10-24 x 1/2"
S	1	Lever Handle
T	1	Screw #6-32 X 5/8"
U	1	Plastic Handle
V	1	Screw #10-24 x 1-1/4"
W	1	Lock Washer
X	1	Handle Index Button
Y	1	Metal Handle Adapter
Z	1	Plastic Adapter

Learn more about home bath and faucets we have.