

PLUMBING REPAIR & REMODELING PARTS

FAUCET REPAIR • HANDLES • SINK REPAIR
TUB/SHOWER REPAIR • TOILET REPAIR • DRAINS
DECORATIVE FINISHES • FAUCETS



DANCO



TABLE of CONTENTS



1 FAUCET STEMS PGS. 1-80
STEM EXTENSIONS & STEM REPAIR KITS PGS. 81-82



2 HANDLES..... PGS. 83-106
OEM Style, Ready-Fit, Decorator and Hospital Handles,
Handle Screws, Index Buttons



3 SINGLE HANDLE FAUCET REPAIRS..... PGS. 107-122
Kitchen, Lavatory, Tub & Shower Repairs



4 FAUCET REPAIR PARTS PGS. 123-162
Bonnet Packings, Cap Thread Gaskets, "O"-Rings, Seats & Washers



5 GENERAL FIXTURE REPAIRS..... PGS. 163-454
Schematic Drawings of Faucets, Pop-Up Drain Assemblies,
Bath Drain Assemblies, Sillcocks, Commercial Industrial Fixtures



6 SINK & LAV REPAIRS..... PGS. 455-480
Dishwasher Repairs, Aerators, Kitchen Spouts, Kitchen & Lav Escutcheons,
Sink Strainers and Lavatory Drain Repairs



7 TUB & SHOWER REPAIRS PGS. 481-510
Bath Spouts, Bath Escutcheons, Bath Drain Assemblies,
Showerheads, Stopper Assemblies



8 COMPRESSION & DRAIN PGS. 511-542
Tailpieces, Compression Nuts & Sleeves, Stops, Water Connectors,
Slip Joint Washers & Nuts, Friction Rings, Tubing, Tube Connectors



9 TOILET..... PGS. 543-572
Tank Levers, Flappers, Toilet Seat Bumpers, Flush Valve Repairs,
Ballcock Repairs, Spud Gaskets, Wax Rings, Tank Bolts and Washers



10 FLUSH VALVE REPAIRS..... PGS. 573-582
Repairs for Delany and Sloan



11 MOBILE HOME/RV REPAIRS..... PGS. 583-596
Stems, Handles, Seats, Faucets, Lav Repairs, Tub & Shower Repairs,
Window Repairs, Door Locks, Floor Registers and Tools For Mobile Home
Car Trailer Connectors, Faucets, Electrical Repairs, Adapters,
Hoses, Baggage Hooks and Vent Domes For RV's

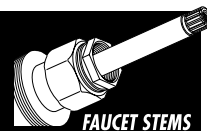


12 FAUCETS, TOOLS, KITS, ASSORTMENTS & MISC REPAIR PARTS PGS. 597-618



13 INDEX..... PGS. 619-631
Numerical and Alphabetical

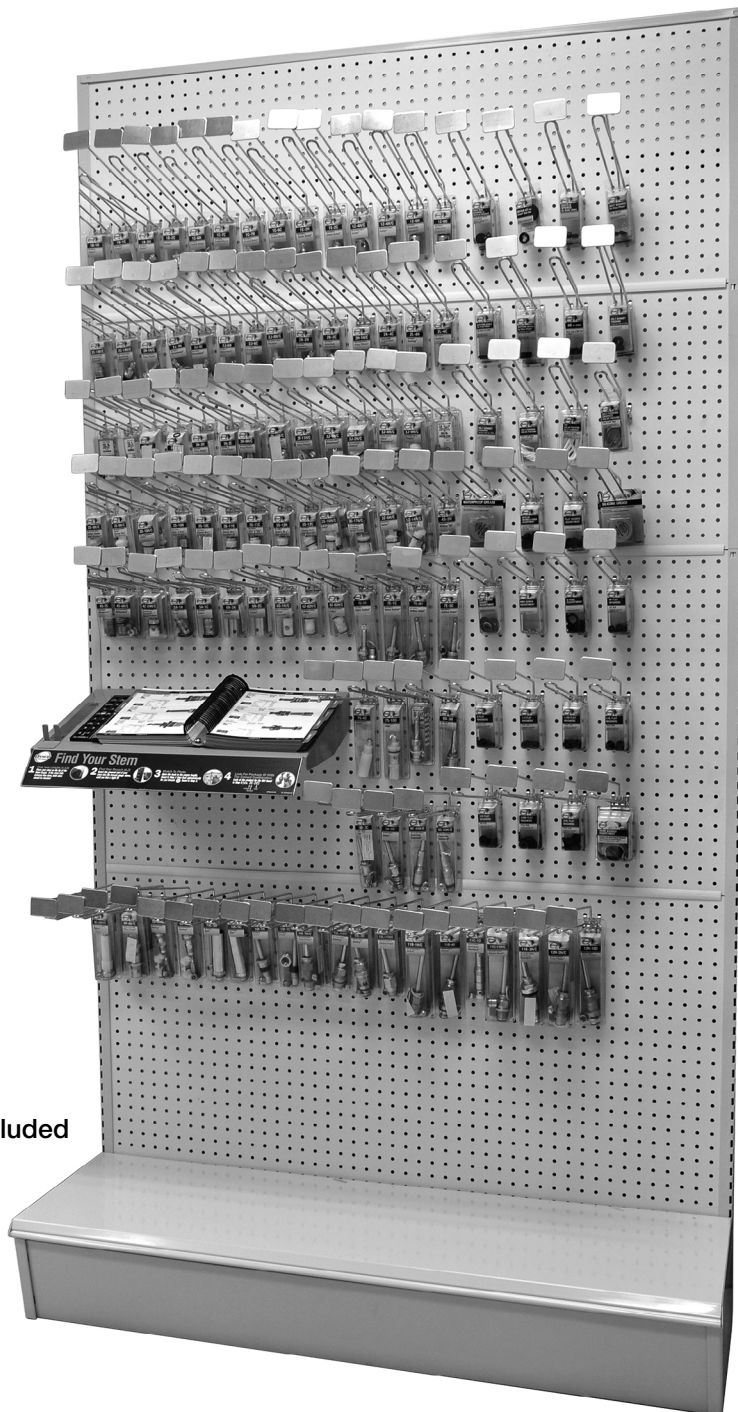
FAUCET STEMS



FAUCET STEM ASSORTMENTS

DANCO Perfect Match stocks customized stem displays containing the most popular faucet stems in your geographic region. Choose the marketing region and display size that is tailored to fit your needs!

- Each assortment comes complete with DANCO Perfect Match's "PICTURE PERFECT" Stem Identification Book, hook and gauge
- Also included are peg hooks, reorder cards, labels, Plan-O-Gram and an eye-catching point-of-purchase display header

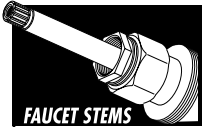


Gondola Not Included

Stk. No. Description

19140E*	4' Assortment for Eastern States
19143E*	3' Assortment for Middle States
19158E*	3' Assortment Emphasizing Tub & Shower

* These assortments also contain various repair parts such as carded washers, stem repair kits, graphite packing and waterproof and silicone grease.



FAUCET STEMS

PICTURE PERFECT FAUCET REPAIR PARTS

THE DANCO PERFECT MATCH STEM EXCHANGE POLICY

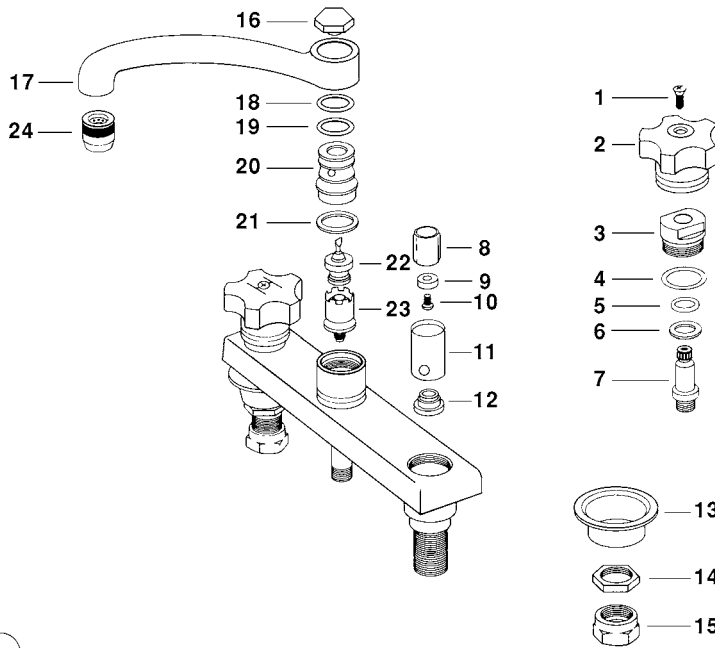
DANCO Perfect Match's displays are geographically customized assortments. Through usage records compiled by our nationwide professional sales team and by computer, our displays provide you with the most popular stems for your section of the country. The purchase of a stem display, coupled with the availability of our toll-free number for you to use for ANY other stems and parts, gives you an opportunity to please all customers.

But... we are realistic. We realize that even with the data that has been collected by our salesforce and computer, there could be areas where a faucet manufacturer would not have a marketing outlet. With that thought in mind, we will allow you to return, for exchange, items that are bought on dropship and not moving for more popular stock without a handling and restocking charge. Exchange will be based on equal dollar value of those stems involved. This exchange must be made between the sixth (6th) and the fifteenth (15th) month after the initial purchase.

FAUCET REPAIR PARTS

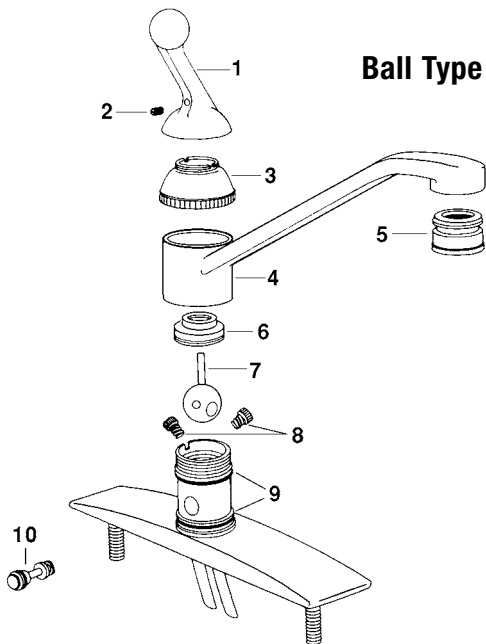
Identification Charts

Double Handle Kitchen or Lavatory Faucet



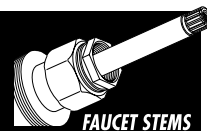
Item No.	Description
1	Handle Screw
2	Handle
3	Bonnet
4	Cap Thread "O" Ring
5	Stem "O" Ring
6	Friction Ring
7	Stem
8	Plunger
9	Faucet Washer
10	Faucet Screw
11	Barrel
12	Faucet Seat
13	Spacer
14	Shank Nut
15	Coupling Nut
16	Spout Nut
17	Spout
18	"O" Ring
19	"O" Ring
20	Spout Post
21	Spout Gasket
22	Spray Diverter
23	Lower Cage
24	Aerator

Ball Type Faucet



Item No.	Description
1	Handle
2	Set Screw
3	Cap Assembly
4	Spout
5	Aerator
6	Cam Assembly
7	Ball Assembly
8	Seat Assembly
9	"O" Ring Seals
10	Diverter

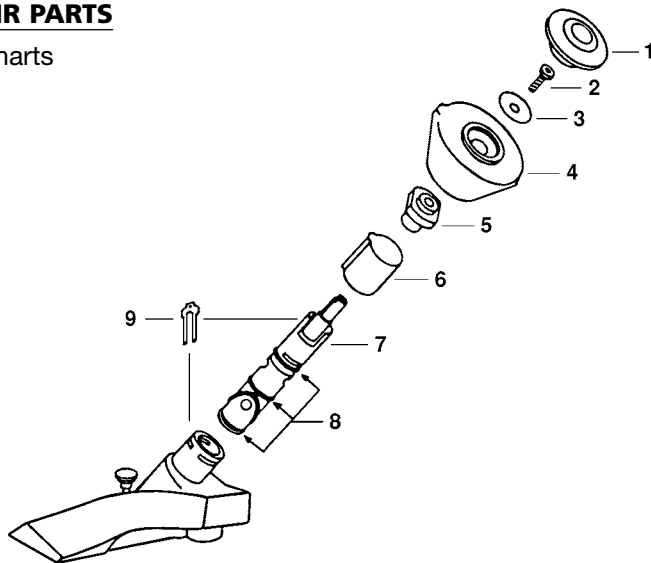
FAUCET STEMS



PICTURE PERFECT FAUCET REPAIR PARTS

FAUCET REPAIR PARTS

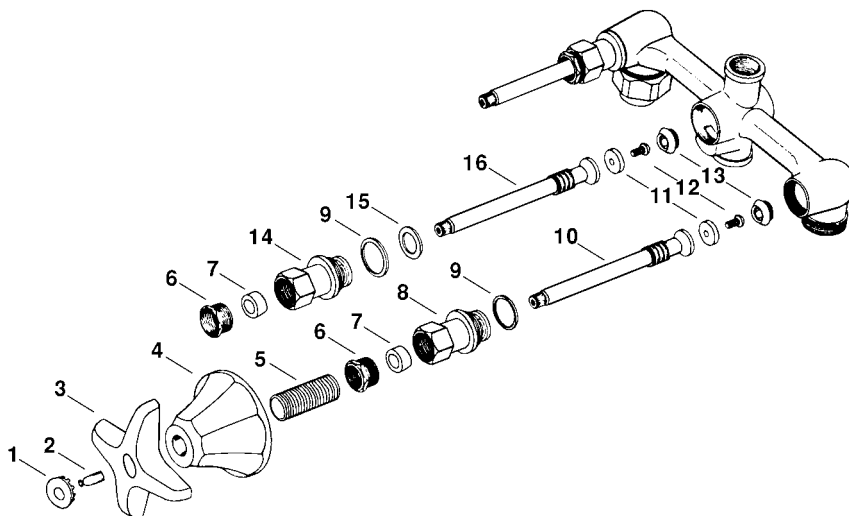
Identification Charts



Single or Double Handle Cartridge Faucet

Item No.	Description
1	Index Button
2	Handle Screw
3	Washer
4	Handle
5	Handle Adapter
6	Sleeve
7	Cartridge
8	Cartridge "O" Rings
9	Retainer Clip

Tub/Shower Diverter Valve



Item No.	Description
1	Index Button
2	Handle Screw
3	Handle
4	Escutcheon
5	Escutcheon Nipple
6	Packing Nut
7	Bonnet Packing
8	Bonnet (Hot & Cold)
9	Cap Thread Gasket
10	Stem (Hot & Cold)
11	Faucet Washer
12	Faucet Screw
13	Faucet Seat
14	Bonnet (Diverter)
15	Diverter Washer
16	Stem (Diverter)

FAUCET REPAIR TROUBLE-SHOOTING GUIDE

SYMPTOM

1 Double Handle Kitchen, Lavatory or Shower Faucet

- 1A) Drip from Spout
- 1B) Drip from Handle

2 Ball Type Faucet

- 2A) Drip from Spout
- 2B) Drip from Handle

3 Single or Double Handle Cartridge Faucet

- 3A) Drip from Spout
- 3B) Drip from Handle

4 Tub/Shower Diverter Valve

- 4A) Valve Leaks

5 Shower Doesn't Engage

REMEDY

- 1A) Replace: 1) Washer 2) Seat 3) Stem
- 1B) Replace: 1) "O" Ring or Packing 2) Stem

- 2A) Replace: 1) Seats & Springs 2) Ball
- 2B) Replace: 1) Cam or Cam Seal 2) Adjusting Ring

- 3A) Replace: 1) "O" Rings 2) Cartridge
- 3B) Replace: 1) "O" Rings

- 4A) Replace: 1) Seat 2) Packing 3) "O" Ring
4) Stems 5) Diverter Washer

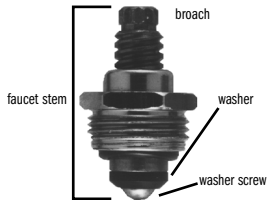
- 5) Replace: 1) Stem Washer 2) Seat 3) Diverter Housing

FAUCET STEMS

HOW TO FIND YOUR STEM

1. Find the length of your faucet stem

Place bottom of stem on bottom of gauge.



2. Place stem on lip of gauge


Do not include washer or washer screw in measurement.



3. Find broach size

Start with broach hole "A" & continue alphabetically until you find a fit.

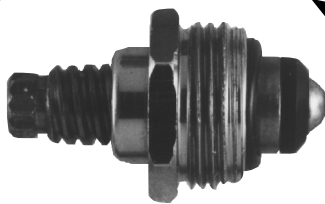


4. Open the Picture Perfect book to the proper length and find broach group (marked in ). Match your stem to the photographs. Select replacement stem from display. Stems are displayed in order by length then group.



CRANE

Fits *Crestmont* Style Faucets
SHOWER FITTINGS 8-3484



1A-1

OR

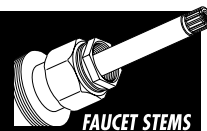
Look for Picture Perfect ID# in the Upper right hand corner of Catalog Block.

Description	ID#	Stock#
Hot Stem	1A-1H	15911B
Cold Stem	1A-1C	15912B
Handle Adapter	23	80632
Seat	None	—
Washer	0 Flat	35063
"O" Ring	10	35727
Gasket	38	35573
Stem Screw	7	—
Handle Screw	42	35643
Complete Repair Kit	—	—



Use Danco Universal Fit Handle

FAUCET STEMS

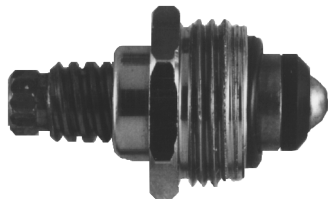


PICTURE PERFECT FAUCET REPAIR PARTS

CRANE

1A-1

Fits *Crestmont* Style Faucets
SHOWER FITTINGS 8-3484



Description	ID#	Stock#
Hot Stem	1A-1H	
Cold Stem	1A-1C	
Seat	None	—
Washer	0 Flat	35063B
"O" Ring	10	35727B
Gasket	38	35573B
Stem Screw	7	35141B
Handle Screw	42	35643B
Complete Repair Kit		—

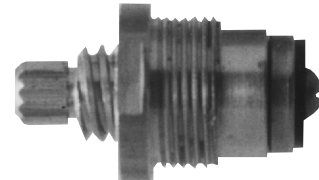


Use Danco Universal Fit Handle

REPCAL

1A-2

SINK B-95F, B-611SF, B-614FZ



Description	ID#	Stock#
Hot Stem	1A-2H	
Cold Stem	1A-2C	
Seat	45	
Washer	1/4 Flat	35064B
"O" Ring	8	35725B
Gasket	24	35561B
Stem Screw	17	35154B
Handle Screw	37	35638B
Complete Repair Kit		—

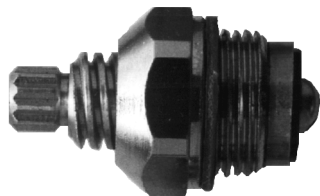


Use Danco Universal Fit Handle

CRANE

1A-3

Fits *Crestmont* Style Faucets
SINK 8-110A
LAVATORY 8-565A



Description	ID#	Stock#
Hot Stem	1A-3H	15905E
Cold Stem	1A-3C	15906E
Seats	106	30105E
Washer	1/4M Flat	35074B
"O" Ring	8	35725B
Gasket	28	35564B
Stem Screw	4	35141B
Handle Screw	48	35649B
Complete Repair Kit		—

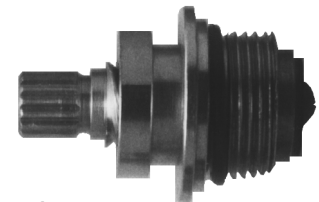


88089

SAYCO

1B-1

SINK 280, 620, 820
LAVATORY 420-22, 2042-44
BATH 2350



Description	ID#	Stock#
Hot Stem	1B-1H	15431E
Cold Stem	1B-1C	15432E
Seats	26 or 113	30025E 30112E
Washer	00 Flat	35062B
"O" Rings for 1B-1H	35	35749B
"O" Rings for 1B-1C	8	35725B
Stem Screw	4	35141B
Handle Screw	4	35141B
Complete Repair Kit		124178E



Use Bibb Seat Wrench
Stk. No. 37668

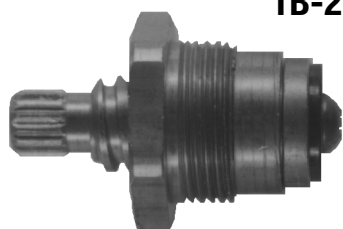


80407

GERBER

1B-2

SINK 42-250
LAVATORY 43-410, 430-973



New Style 1B-2

Description	ID#	Stock#
Hot Stem	1B-2H	15339E
Cold Stem	1B-2C	15340E
Seat	28	30027E
Washer	1/4 Flat	35064B
"O" Ring	8	35725B
Gasket	43	35578B
Stem Screw	17	35154B
Handle Screw	38	35639B
Complete Repair Kit		—

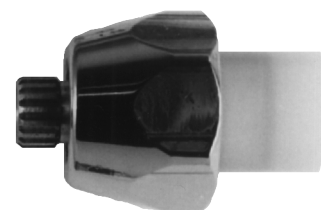


88088

ELJER

1C-1

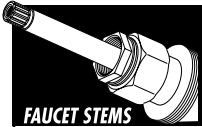
SINK
LAVATORY



Description	ID#	Stock#
Hot Stem	1C-1H	
Cold Stem	1C-1C	
Seat	70	30069E
Washer	00 Flat	35062B
"O" Ring	31	35745B
Stem Screw	4	35141B
Handle Screw	38	35639B
Complete Repair Kit		—



Use Danco Universal Fit Handle



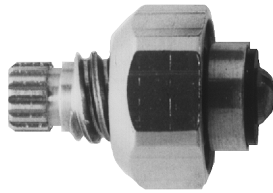
FAUCET STEMS

PICTURE PERFECT REPLACEMENT FAUCET STEMS FOR...

ELJER

SINK E-9059-67
LAVATORY E-9020-25

1C-2



Description	ID#	Stock#
Hot Stem	1C-2H	
Cold Stem	1C-2C	
Seat	70	30069E
Washer	00 Flat	35062B
"0" Ring	31	35745B
Stem Screw	4	35141B
Handle Screw	38	35639B
Complete Repair Kit	—	

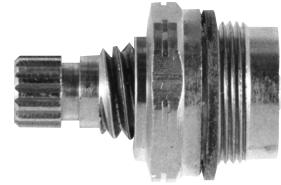


Use Danco Universal Fit Handle

KOHLER

SINK K-70920-25
LAVATORY K-10800

1C-3



Description	ID#	Stock#
Hot Stem	1C-3H	15801E
Cold Stem	1C-3C	15802E
Seat	93	30092E
Washer	00 Flat	35062B
"0" Ring	8	35725B
Gasket	28	35564B
Stem Screw	5	35142B
Handle Screw	48	35649B
Complete Repair Kit	—	

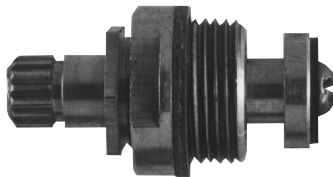


88358

CENTRAL BRASS

SINK 100
LAVATORY 1100
LAUNDRY 80-90

1C-6



Description	ID#	Stock#
Hot Stem	1C-6H	15835E
Cold Stem	1C-6C	15836E
Seat	7	30006E
Washer	0 Flat	35063B
Gasket	28	35564B
Bonnet Packing	99	35235B
Stem Screw	5	35142B
Handle Screw	56	35657B
Complete Repair Kit	—	

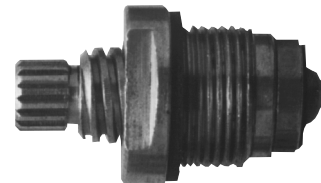


80401

CENTRAL BRASS

SINK 47, 48, 120 to 149
LAVATORY 1137 to 1149
LAUNDRY 84, 85, 94

1C-7



Description	ID#	Stock#
Hot Stem	1C-7H	15083E
Cold Stem	1C-7C	15084E
Seat	7	30006E
Washer	0 Flat	35063B
"0" Ring	8	35725B
Gasket	28	35564B
Stem Screw	4	35141B
Handle Screw	34	35636B
Complete Repair Kit	—	

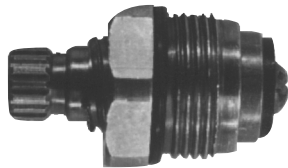


80401

ELJER

SINK REGATTA AND LUXTRA

1C-12



Description	ID#	Stock#
Hot/Cold Stem	1C-12H/C	
Seat	70	30069E
Washer	00 Flat	35062B
"0" Rings	30	35744B
	31	35745B
Stem Screws	31	38816B
	4	35141B
Handle Screw	38	35639B
Complete Repair Kit	—	



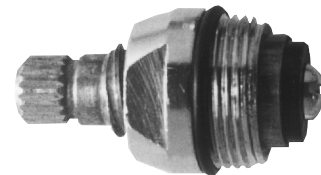
Use Danco Universal Fit Handle

INDIANA BRASS

SINK 1001-17
LAVATORY 631-34

**NOTE: Old Style Stem Unavailable
Use New Style Stem ID# 1E-1**

1E-1



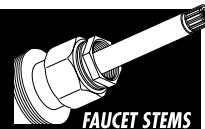
New Style 1E-1

Description	ID#	Stock#
Hot Stem	1E-1H	15347E
Cold Stem	1E-1C	15348E
Seat	48	30047E
Washer	1/4 Flat	35064B
"0" Rings	40	35754B
	8	35725B
Stem Screw	4	35141B
Handle Screw	38	35639B
Complete Repair Kit	—	



Use Danco Universal Fit Handle

FAUCET STEMS

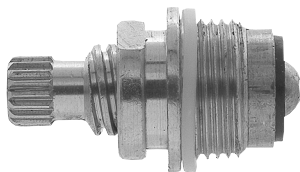


PICTURE PERFECT REPLACEMENT FAUCET STEMS FOR...

UNION BRASS / GOPHER

1E-2

SINK 20-24, 40-41, 50-53A, 60-63A, 80-83
LAVATORY 70-75, 700-800A



Description	ID#	Stock#
Hot Stem	1E-2H	15333E
Cold Stem	1E-2C	15334E
Seats	68	30067E
Washer	1/4 Flat	35064B
"O" Ring	8	35725B
Gasket	28	35564B
Stem Screw	4	35141B
Handle Screw	51	35652B
Complete Repair Kit	—	

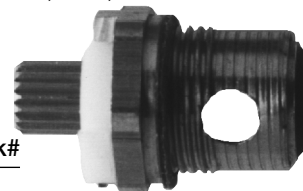


Use Danco Universal Fit Handle

UNION BRASS

1E-3

SINK 4825, 4835
To Convert Standard Faucets to Washerless Operation
SINK 20-24, 40-41, 50-53A, 60-63A, 80-83, 762A, 763A
782A, 783A, 8405, 8605, 8615, 8800, 8825, 8835
LAVATORY 70-75, 700-800A, 8700, 8705, 8715, 8720



Description	ID#	Stock#
Hot Stem	1E-3H	
Cold Stem	1E-3C	
Seat	136	
"O" Ring	8	35725B
Gasket	28	35564B
Stem Screw	4	35141B
Handle Screw	38	35639B
	51	35652B
	53	35654B
Complete Repair Kit	—	

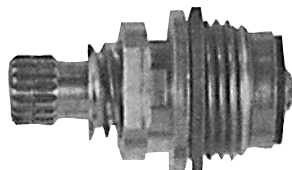


Use Danco Universal Fit Handle

UNION BRASS

1E-4

To Convert Standard Faucets to Washerless Operation
SINK 4825-4835



Description	ID#	Stock#
Hot Stem	1E-4H	
Cold Stem	1E-4C	
Seat	68	30067E
Washer	1/4 Flat	35064B
"O" Ring	8	35725B
Gasket	28	35564B
Stem Screw	4	35141B
Handle Screw	51	35652B
Complete Repair Kit	—	

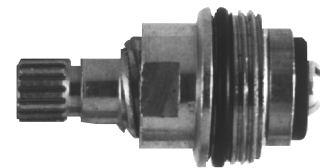


Use Danco Universal Fit Handle

INDIANA BRASS

1E-5

SINK 1000-1001 (old style)



Description	ID#	Stock#
Hot Stem	1E-5H	
Cold Stem	1E-5C	
Seat	48	30047E
Washer	0 Flat	35063B
"O" Rings	40	35754B
	8	35725B
Stem Screw	16	35153B
Handle Screw	38	35639B
Complete Repair Kit	—	

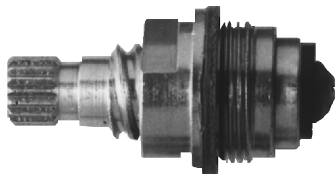


Use Danco Universal Fit Handle

BRIGGS

1E-6

LAVATORY T8832, T8833W



Description	ID#	Stock#
Hot Stem	1E-6H	
Cold Stem	1E-6C	
Seat	10	30009E
Washer	00 Flat	35062B
"O" Ring	8	35725B
Gasket	28	35564B
Stem Screw	13	35150B
Handle Screw	50	35651B
Complete Repair Kit	—	

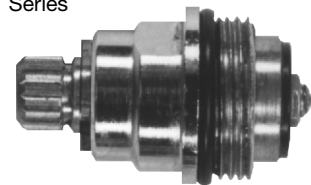


Use Danco Universal Fit Handle

INDIANA BRASS

1E-7

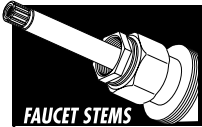
SINK 1032 Series, 30200 Series
LAVATORY 31200 Series, 00631 Series



Description	ID#	Stock#
Hot Stem	1E-7H	18529E
Cold Stem	1E-7C	18530E
Seat	48	30047E
"O" Rings	30	35744B
	7	35724B
Complete Repair Kit	—	



Use Danco Universal Fit Handle



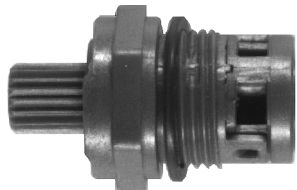
FAUCET STEMS

PICTURE PERFECT REPLACEMENT FAUCET STEMS FOR...

UNION BRASS

1E-8

Interchangeable with 1E-3



Description	ID#	Stock#
Hot/Cold Stem	1E-8H/C	
Seat	136	
Gasket	41	35576B
Complete Repair Kit	—	

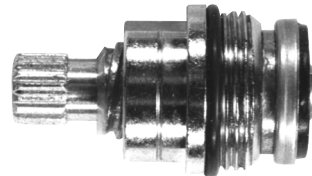
UNIVERSAL

Use Danco Universal Fit Handle

INDIANA BRASS

1E-9

ROMAN TUB



Description	ID#	Stock#
Hot Stem	1E-9H	
Cold Stem	1E-9C	
Seat	48	30047E
Washer	3/8L Flat	35068B
"O" Rings	53	35767B
	8	35725B
Stem Screw	10	35147B
Handle Screw	78	35669B
Complete Repair Kit	—	

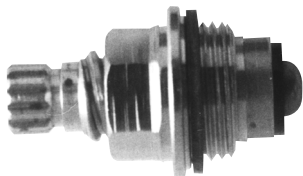
UNIVERSAL

Use Danco Universal Fit Handle

PFISTER

1H-1

SINK 635-45, 1007A
LAVATORY 95R
LAUNDRY 3195



Description	ID#	Stock#
Hot Stem	1H-1H	15289E
Cold Stem	1H-1C	15290E
Seat	39	30038E
Washer	00 Flat	35062B
"O" Ring	8	35725B
Gasket	28	35564B
Stem Screw	16	35153B
Handle Screw	38	35639B
Complete Repair Kit	—	124164E



88385

PFISTER

1H-2

LAUNDRY 69-310 to 69-520



Description	ID#	Stock#
Hot Stem	1H-2H	15627E
Cold Stem	1H-2C	15628E
Seat	None	—
Washer	1/4 Bev	35092B
Gasket	30	35566B
"O" Ring	8	35725B
Stem Screw	17	35154B
Handle Screw	38	35639B
Complete Repair Kit	—	

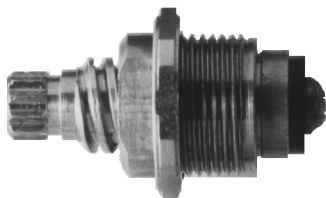


88997

HARCRAFT

1H-3

SINK 10-100, 12-020
LAVATORY 13-100



Description	ID#	Stock#
Hot/Cold Stem	1H-3H/C	15633E
Seat	65	30064E
Washer	00 Flat	35062B
"O" Ring	41	35755B
Stem Screws	17	35154B
Handle Screw	48	35649B
Complete Repair Kit	—	

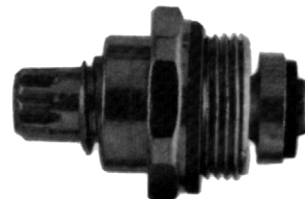
UNIVERSAL

Use Danco Universal Fit Handle

ARROWHEAD BRASS

1H-6

SINK 500 to 560

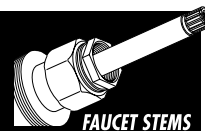


Description	ID#	Stock#
Hot Stem	1H-6H	
Cold Stem	1H-6C	
Seat	119	
Washer	00 Flat	35062B
"O" Ring	8	35725B
Gasket	28	35564B
Stem Screw	4	35141B
Handle Screw	35	
Complete Repair Kit	—	

UNIVERSAL

Use Danco Universal Fit Handle

FAUCET STEMS

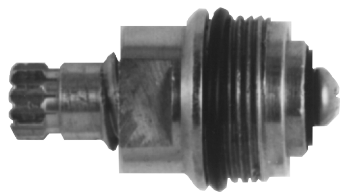


PICTURE PERFECT REPLACEMENT FAUCET STEMS FOR...

UNIVERSAL RUNDLE

11-2

LAVATORY P1078



Description	ID#	Stock#
Hot Stem	11-2H	
Cold Stem	11-2C	
Seat	105	
Washer	0 Flat	35063B
"O" Rings	32	35746B
	8	35725B
Stem Screw	16	35153B
Handle Screw	37	35638B
Complete Repair Kit	—	

UNIVERSAL

Use Danco Universal Fit Handle

AMERICAN BRASS / MANSFIELD

1J-1

LAVATORY *American Brass T77*
Mansfield 40 Series

SINK *American Brass T800T*
Mansfield 80 Series



Description	ID#	Stock#
Hot/Cold Stem	1J-1H/C	17186E
Cold Stem	1J-1C	17443E
Seats	122A.B./129Mans.	
Washer	00 Flat	35062B
"O" Rings	40	35754B
	8	35725B
Stem Screws	4	35141B
Handle Screws	48	35649B
Complete Repair Kit	—	

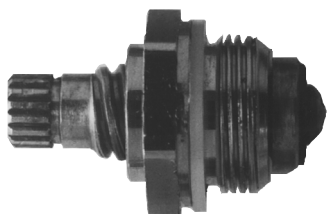
UNIVERSAL

Use Danco Universal Fit Handle

STERLING

1L-1

BATH 19-050, 19-060



Description	ID#	Stock#
Hot Stem	1L-1H	
Cold Stem	1L-1C	
Seat	None	—
Washer	1/4 Flat	35064B
"O" Ring	8	35725B
Gasket	35	35570B
Stem Screw	4	35141B
Handle Screw	38	35639B
Complete Repair Kit	—	

UNIVERSAL

Use Danco Universal Fit Handle

SPEAKMAN

1P-1

LAVATORY (*Present*) SK540 41



Description	ID#	Stock#
Hot Stem	1P-1H	
Cold Stem	1P-1C	
Seat	21	
Washers	00 Flat	35062B (<i>use for New Style</i>)
	000 Flat	35061B (<i>use for Old Style</i>)
Gasket	43	35578B
Packing	68	35218B
Stem Screw	17	35154B
Handle Screw	38	35639B
Complete Repair Kit	—	

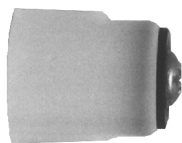
UNIVERSAL

Use Danco Universal Fit Handle

KOHLER

1Z-1/2

Use for all Valvet equipped fixtures requiring right-hand and left-hand equipped stems



1Z-1
Plastic

Description	ID#	Stock#
Hot Stem	1Z-1H	17805B
Cold Stem	1Z-1C	17806B
Hot Stem	1Z-2H	
Cold Stem	1Z-2C	
Handle Adapter	None	—
Seat	None	—
Washer	00 Flat	35062B
Stem Screw	31	
Complete Repair Kit	—	

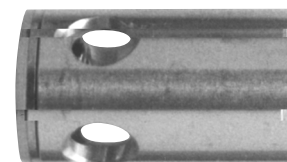


1Z-2
Brass

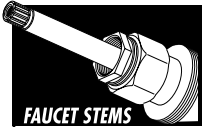
KOHLER

1Z-4

Use for all Valvet Units



Description	ID#	Stock#
Hot/Cold Stem	1Z-4H/C	15737E
Handle Adapter	None	—
Seat	56	30055E
Complete Repair Kit	—	



FAUCET STEMS

PICTURE PERFECT REPLACEMENT FAUCET STEMS FOR...

KOHLER

1Z-5

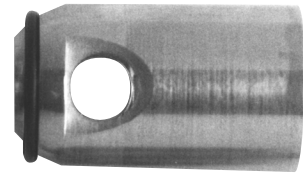


Description	ID#	Stock#
Hot Stem	1Z-5H	15145E
Cold Stem	1Z-5C	15146E
Handle Adapter	None	—
Seat	None	—
"O" Ring	28	35742B
Complete Repair Kit	—	—

AMERICAN STANDARD

1Z-6

Use for RE-NU Unit with "O" Ring (All Models)



Description	ID#	Stock#
Hot Stem	1Z-6H	15027E
Cold Stem	1Z-6C	15028E
Handle Adapter	None	—
Seat	None	—
"O" Ring	35	35749B
Complete Repair Kit	—	—

T&S BRASS

1Z-8

SINK B-121,122,123,124 (from 1968)
LAVATORY B850 to B894

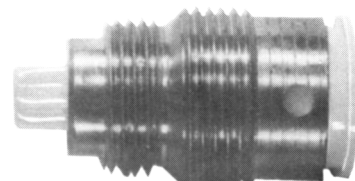


Description	ID#	Stock#
Hot Stem	1Z-8H	17002E
Cold Stem	1Z-8C	17003E
Handle Adapter	None	—
Seat	None	—
Complete Repair Kit	—	—

CRANE

2A-1

WR8010, WR8020, WR8155, WR8400, WR8700
Riviera Washerless



Description	ID#	Stock#
Hot/Cold Stem	2A-1H/C	—
Seat	None	—
"O" Ring	8	35725B
Handle Screw	73	—
Complete Repair Kit	—	—

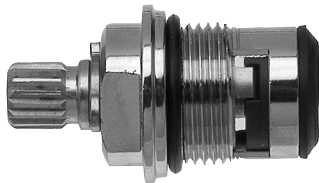


88089

SAYCO

2B-4

CERAMIC DISC



Description	ID#	Stock#
Hot Stem	2B-4H	—
Cold Stem	2B-4C	—
Seat	None	—
"O" Ring	30	35744B
Complete Repair Kit	—	89022*

*Note: Repairs Danco replacement stem only. Will Not Repair original manufacturer's stem.

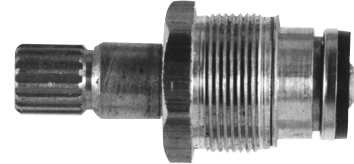
UNIVERSAL

Use Danco Universal Fit Handle

MILWAUKEE

2C-3

SINK K4160, 72, 73

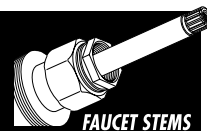


Description	ID#	Stock#
Hot Stem	2C-3H	—
Cold Stem	2C-3C	—
Seats	15	30014E
Washer	1/4 Flat	35064B
"O" Ring	7	35724B
Complete Repair Kit	—	—

UNIVERSAL

Use Danco Universal Fit Handle

FAUCET STEMS

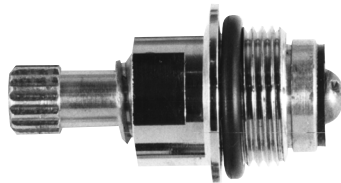


PICTURE PERFECT REPLACEMENT FAUCET STEMS FOR...

AMERICAN STANDARD

2C-6

LAVATORY C-510R, C-510-2R, 2121-267, 291



Description	ID#	Stock#
Hot/Cold Stem	2C-6H/C	15919E
Seat	44	30043E
Washer	0 Flat	35063B
"O" Rings	8	35725B
	12	35729B
Stem Screw	4	35141B
Handle Screw	38	35639B
Complete Repair Kit	—	

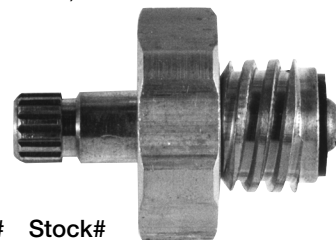
UNIVERSAL

Use Danco Universal Fit Handle

AMERICAN STANDARD

2C-12

LAVATORY (Colony) C-530-1, C560-1 (Slant Back)
(Colony) C510 to C522 (Deck Mount)
SINK (Colony) A4169 (Deck Mount)



Description	ID#	Stock#
Hot Stem	2C-12H	
Cold Stem	2C-12C	
Seat	44	30043E
Washer	0 Flat	35063B
Packings	92	35228B
	93	35229B
Stem Screw	4	35141B
Handle Screw	38	35639B
Complete Repair Kit	—	

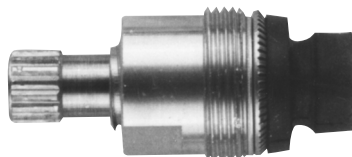
UNIVERSAL

Use Danco Universal Fit Handle

AMERICAN STANDARD (CADET)

2C-14

SINK 4160 Series
LAVATORY 2350 Series
BATH 1800 Series



Description	ID#	Stock#
Hot/Cold Stem	2C-14H/C	17423E
Cold Stem	2C-14C	08918E
Seat	146	30145E
Stem Screw	17	35154B
Complete Repair Kit		80413

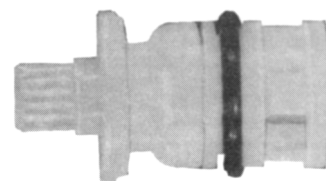
UNIVERSAL

Use Danco Universal Fit Handle

BRADLEY / FEDERAL HUBER / BRIGGS

2C-15

KITCHEN
LAVATORY



Description	ID#	Stock#
Hot Stem	2C-15H	
"O" Ring	40	35754B
Complete Repair Kit	—	

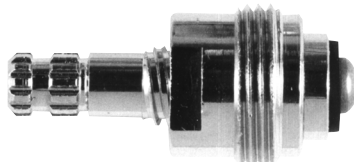
UNIVERSAL

Use Danco Universal Fit Handle

MICHIGAN BRASS

2G-1

LAVATORY 6501-04



Description	ID#	Stock#
Hot Stem	2G-1H	
Cold Stem	2G-1C	
Seat	None	—
Washer	00 Flat	35062B
"O" Ring	10	35727B
Stem Screw	5	35142B
Complete Repair Kit	—	

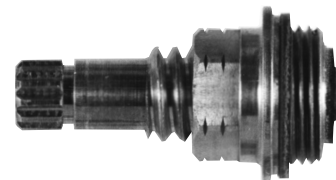
UNIVERSAL

Use Danco Universal Fit Handle

PFISTER

2H-1

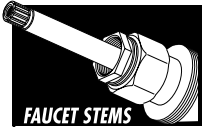
SINK 35-010-420
LAVATORY 43-010-124



Description	ID#	Stock#
Hot/Cold Stem	2H-1H/C	15625E
Cold Stem	2H-1C	18587E
Seat	39	30038E
Washer	00 Flat	35062B
"O" Ring	8	35725B
Gasket	30	35566B
Stem Screws	—	35248B
	17	35154B
Handle Screw	38	35639B
Complete Repair Kit		124164E



80456

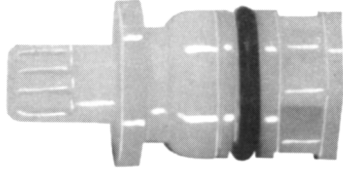


FAUCET STEMS

PICTURE PERFECT REPLACEMENT FAUCET STEMS FOR...

BRADLEY / FEDERAL HUBER / SEARS 2I-2

LAVATORY
KITCHEN



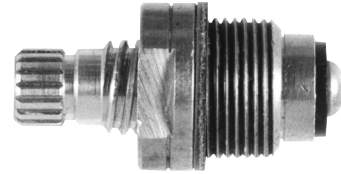
Description	ID#	Stock#
Hot Stem	2I-2H	
Cold Stem	2I-2C	
Seat	17946	—
"0" Ring	12	35729B
Handle Screw	4	—
Complete Repair Kit	—	—



Use Danco Universal Fit Handle

AMERICAN BRASS 2J-1

SINK 55-56 (18 Threads per inch)



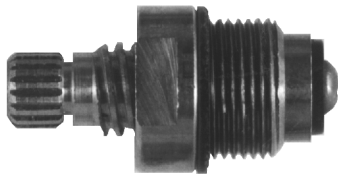
Description	ID#	Stock#
Hot Stem	2J-1H	15469E
Cold Stem	2J-1C	15470E
Seat	51	30050E
Washer	00 Flat	35062B
"0" Ring	8	35725B
Gasket	28	35564B
Stem Screw	5	35142B
Handle Screw	48	35649B
Complete Repair Kit	—	—



88168

AMERICAN BRASS / STREAMWAY 2J-2

SINK 55A-56A (20 Threads per Inch)



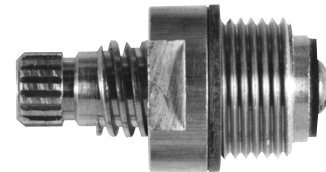
Description	ID#	Stock#
Hot Stem	2J-2H	16001E
Cold Stem	2J-2C	16002E
Seat	51	30050E
Washer	00 Flat	35062B
"0" Ring	8	35725B
Gasket	28	35564B
Stem Screw	5	35142B
Handle Screw	48	35649B
Complete Repair Kit	—	—



88168

STREAMWAY 2J-3

BATH All



Description	ID#	Stock#
Hot Stem	2J-3H	15918B
Cold Stem	2J-3C	16000B
Seats	79	30078E
Washer	00 Flat	35062B
"0" Rings	74	35719B
	8	35725B
Gasket	28	35564B
Stem Screw	4	35141B
Handle Screw	48	35649B
Complete Repair Kit	—	—



88168

AMERICAN BRASS 2J-5

SINK 105, 1052



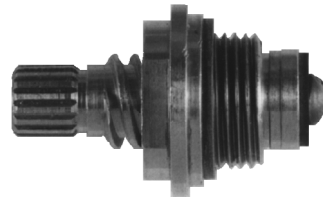
Description	ID#	Stock#
Hot Stem	2J-5H	15481E
Cold Stem	2J-5C	15482E
Seat	51	30050E
Washer	00 Flat	35062B
"0" Ring	8	35725B
Gasket	28	35564B
Stem Screw	4	35141B
Handle Screw	48	35649B
Complete Repair Kit	—	—



88168

STREAMWAY 2J-6

SINK & LAVATORY 108 Series

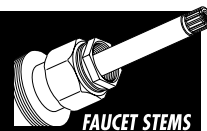


Description	ID#	Stock#
Hot Stem	2J-6H	15641E
Cold Stem	2J-6C	15642E
Seat	79	30078E
Washer	00 Flat	35062B
"0" Rings	74	35719B
	8	35725B
Gasket	30	35566B
Stem Screw	5	35142B
Handle Screw	48	35649B
Complete Repair Kit	—	—



88168

FAUCET STEMS



PICTURE PERFECT REPLACEMENT FAUCET STEMS FOR...

MIDCOR

KITCHEN

2J-7



Description	ID#	Stock#
Hot/Cold Stem	2J-7H/C	17433B
Seat	None	—
"O" Rings	8	35725B
	90	35870B
	13	35730B
Handle Screw	1	—
Complete Repair Kit	—	—

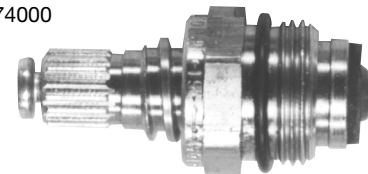


88168

PHOENIX / MOEN

PHOENIX SHOWER 30, 601, 701, 761, 781
GARDEN TUB 38, 39, 639
MOEN SINK *Chateau* Series 77000
LAVATORY *Chateau* Series 74000

2J-8



Description	ID#	Stock#
Hot/Cold Stem	2J-8H/C	17451E
Seats	NONE	—
Washer	00 Flat	35062B
"O" Rings	8	35725B
	67	35784B
Stem Screws	4	35141B
	31	38816B
Handle Screw	46	35647B
Complete Repair Kit	—	—

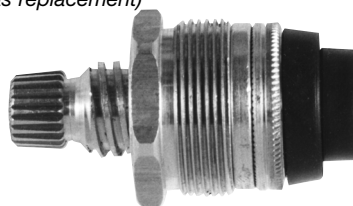


88170

AMERICAN STANDARD

AQUA SEAL Units for SINK, LAVATORY & BATH
(2K-3/2K-4 can be used as replacement)

2K-1/2



Description	ID#	Stock#
Hot Stem	2K-1H	15731E
Cold Stem	2K-1C	15732E
Hot Stem *	2K-2H	15729E
Cold Stem *	2K-2C	15730E
Seat	20	30019E
"O" Ring	102	75055B
Complete Repair Kit	—	124102



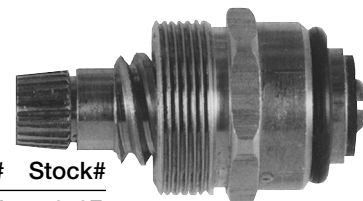
88081

* (less locknut)

AMERICAN STANDARD

SINK, LAVATORY & BATH
May be used to replace
AQUA SEAL Units

2K-3/4



Description	ID#	Stock#
Hot Stem	2K-3H	15972E
Cold Stem	2K-3C	15973E
Hot Stem *	2K-4H	15744E
Cold Stem *	2K-4C	15745E
Seat	20	30019E
Washer	0 Flat	35063B
"O" Rings	12	35729B
	7	35724B
	41	35755B
Stem Screw	5	35142B
Handle Screw	38	35639B
Complete Repair Kit	—	—



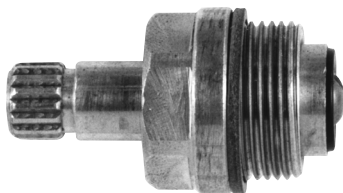
88081

* (less locknut)

STERLING

LAVATORY 20-310, 20-370

2L-1



Description	ID#	Stock#
Hot Stem	2L-1H	15559E
Cold Stem	2L-1C	15560E
Seat	18	30017E
Washer	00 Flat	35062B
"O" Ring	8	35725B
Gasket	35	35570B
Stem Screw	5	35142B
Handle Screw	38	35639B
Complete Repair Kit	—	—



80680

STERLING (CHROME)

LAVATORY 22710, 22810 Series

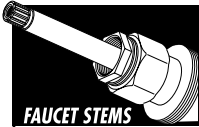
2L-2



Description	ID#	Stock#
Hot/Cold Stem	2L-2H/C	—
Seat	18	30017E
Washer	00 Flat	35062B
"O" Ring	8	35725B
Gasket	35	35570B
Stem Screw	16	35153B
Handle Screw	43	35644B
Complete Repair Kit	—	—



80680

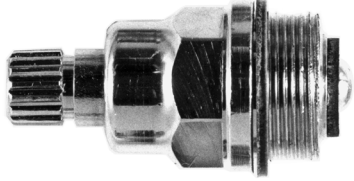


FAUCET STEMS

PICTURE PERFECT REPLACEMENT FAUCET STEMS FOR...

STERLING

2L-3



Description	ID#	Stock#
Hot Stem	2L-3H	
Cold Stem	2L-3C	
Seat	18	30017E
Washer	00 Flat	35062B
"O" Ring	8	35725B
Gasket	35	35570B
Stem Screw	4	35141B
Handle Screw	34	35636B
Complete Repair Kit	—	

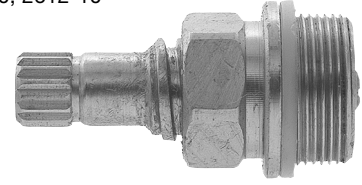


80680

STERLING (ELKAY)

2L-4

SINK 264-190, 265-230, 266-430, 267-470,
268-510, 273-00, 275-00, 2612-10
LAVATORY 206-10, 206-40
ELKAY Lavatory LK-214
Laundry LK-189
Bar LK-89



New Style

Description	ID#	Stock#
Hot Stem	2L-4H	15643E
Cold Stem	2L-4C	15644E
Seat	18	30017E
Washer	00 Flat	35062B
"O" Ring	8	35725B
Gasket	35	35570B
Stem Screw	5	35142B
Handle Screw	34	35636B
Complete Repair Kit	—	

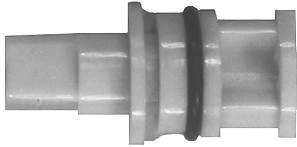


80680

MILWAUKEE

2S-1

LAVATORY, KITCHEN, BAR & LAUNDRY
S240-8, 5241-8, 5381-8



Description	ID#	Stock#
Hot/Cold Stem	2S-1H/C	17385B
Seat	None	—
"O" Ring	28	35742B
Complete Repair Kit	—	

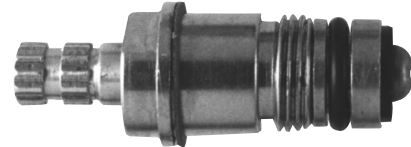
UNIVERSAL

Use Danco Universal Fit Handle

MICHIGAN BRASS

3A-1

SINK 6580-81



Description	ID#	Stock#
Hot Stem	3A-1H	
Cold Stem	3A-1C	
Seat	58	
Washer	00 Flat	35062B
Gasket	38	35523B
"O" Ring	8	35725B
Stem Screw	5	35142B
Complete Repair Kit	—	

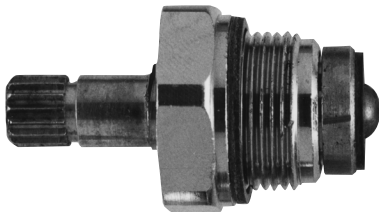
UNIVERSAL

Use Danco Universal Fit Handle

GERBER

3B-1

SINK 260-70



Description	ID#	Stock#
Hot Stem	3B-1H	
Cold Stem	3B-1C	
Seat	28	30027E
Gasket	35	35570B
Washer	1/4 Flat	35064B
"O" Ring	8	35725B
Stem Screw	17	35154B
Handle Screw	38	35639B
Complete Repair Kit	—	



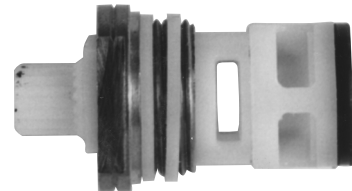
80681

GERBER

3B-2

SINK 80-42-271, 80-49-244, 80-49-251
LAVATORY 80-43-431
To Convert Standard Faucets to Washerless Operation
SINK 42-250
LAVATORY 43-410-430-973

NOTE: To convert to washer type operation use 1B-3. When converting to a washerless operation the bibb seat must be removed and discarded.

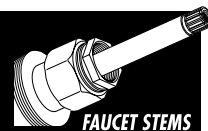


Description	ID#	Stock#
Hot Stem	3B-2H	17291B
Cold Stem	3B-2C	17292B
Seat	None	—
"O" Ring	54	35768
Gasket	51	35587B
Handle Screws	45	35646B
	38	35639B
Complete Repair Kit	—	



88741

FAUCET STEMS

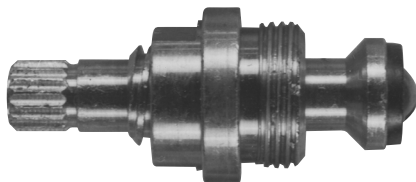


PICTURE PERFECT REPLACEMENT FAUCET STEMS FOR...

SAYCO

SINK 2080
LAVATORY (Swayzee)
BATH 238

3B-3



Description	ID#	Stock#
Hot Stem	3B-3H	
Cold Stem	3B-3C	
Seat	27	30026E
Gasket	28	35564B
Washer	00 Flat	35062B
"O" Ring	8	35725B
Stem Screw	5	35142B
Handle Screw	5	35142B
Complete Repair Kit	—	

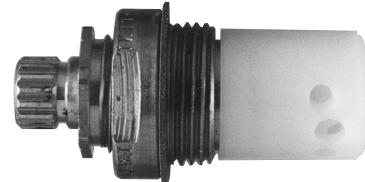


Use Danco Universal Fit Handle

CENTRAL BRASS

SINK 77T, 77U, 78T, 720-723, 746-749
LAVATORY 7137, 7137D, 7138, 7139, 7147, 714D, 7148, 7149
To Convert Standard Faucets to Washerless Operation
SINK 47, 38, 120 to 149
LAVATORY 1137 to 1149
LAUNDRY 84, 85, 94

3C-6



NOTE: To convert to washer type operation use 1C-13. When converting to a washerless operation the bibb seat must be removed and discarded.

Description	ID#	Stock#
Hot Stem	3C-6H	17294B
Cold Stem	3C-6C	17295B
Seat	None	—
Washer	1/4 Flat	35064B
Gasket	28	35564B
Packing	99	35235B
Handle Screw	34	35636B
Complete Repair Kit	—	

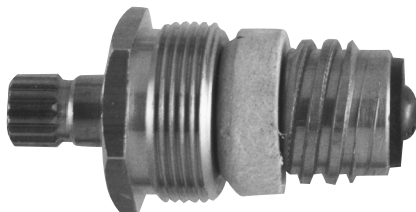


Use Danco Universal Fit Handle

AMERICAN KITCHEN

SINK LF-110, 120, 210

3C-7



Description	ID#	Stock#
Hot Stem	3C-7H	
Cold Stem	3C-7C	
Seat	26	30025E
Washer	1/4 Flat	35064B
Packing	49	35205B
Stem Screw	4	35141B
Handle Screws	47	
Complete Repair Kit	—	

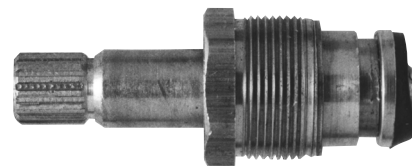


Use Danco Universal Fit Handle

MILWAUKEE

BATH K-1441

3C-9



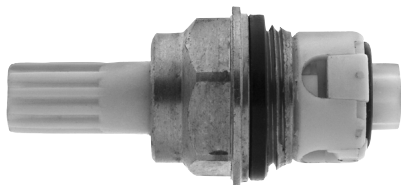
Description	ID#	Stock#
Hot/Cold Stem	3C-9H/C	
Seat	15	30014E
Washer	00 Flat	35062B
"O" Ring	7	35724B
Gasket	48	35583B
Stem Screw	26	35162B
Handle Screw	40	
Complete Repair Kit	—	



Use Danco Universal Fit Handle

PFISTER

3G-3



Description	ID#	Stock#
Hot Stem	3G-3H	18864B
Cold Stem	3G-3C	18865B
"O" Rings	41	35755
	83	35711
Gaskets	41	35576
Handle Screws	17	35154
Complete Repair Kit	—	

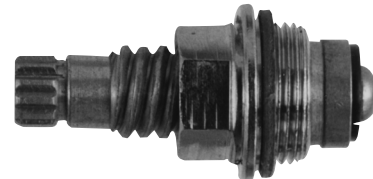


Use Danco Universal Fit Handle

PFISTER

SINK 711-24, 750-54, 758-62, 788-92

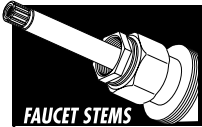
3H-2



Description	ID#	Stock#
Hot Stem	3H-2H	15287E
Cold Stem	3H-2C	15288E
Seat	39	30038E
Washer	00 Flat	35062B
"O" Ring	8	35725B
Gasket	28	35564B
Stem Screw	16	35153B
Handle Screw	37	35638B
Complete Repair Kit	124164E	



88385



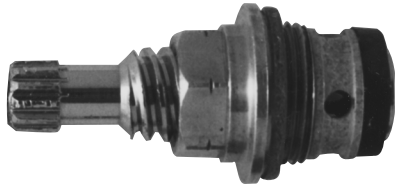
FAUCET STEMS

PICTURE PERFECT REPLACEMENT FAUCET STEMS FOR...

PFISTER

SINK 35 (Housing)

3H-5



Description	ID#	Stock#
Hot/Cold Stem	3H-5H/C	15946E
Seat	None	—
"O" Ring	8	35725B
Gasket	28	35564B
Handle Screw	38	35639B
Complete Repair Kit		

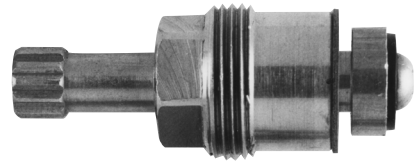


88443

PFISTER

SINK 31-111 to 31-581 (New Style)

3H-6



Description	ID#	Stock#
Hot/Cold Stem	3H-6H/C	
Seat	39	30038E
Washer	00 Flat	35062B
"O" Ring	8	35725B
Gasket	38	35573B
Stem Screw	16	35153B
Handle Screw	38	35639B
Complete Repair Kit	—	

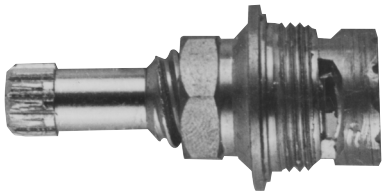


Use Danco Universal Fit Handle

PFISTER

LAVATORY KITCHEN

3H-8



Description	ID#	Stock#
Hot/Cold Stem	3H-8H/C	16110E
Cold Stem	3H-8C	18533E
Seat	39	30038E
Gasket	41	35576B
Handle Screw	78	35669B
Complete Repair Kit		124168

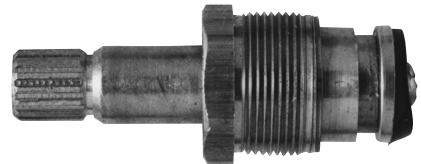


88305

PFISTER

SINGLE BASIN FAUCETS

3H-9



Description	ID#	Stock#
Hot Stem	3H-9H	
Cold Stem	3H-9C	
Seat	16	
Washer	00 Flat	35062B
Packing	30	35193B
Stem Screw	34	38819B
Handle Screw	78	35669B
Complete Repair Kit	—	



88305

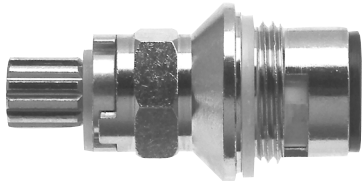
PFISTER

CERAMIC STEM for VERVE & WINDSOR

KITCHEN H35 Series

LAVATORY H49, H43 Series

3H-10



Description	ID#	Stock#
Hot/Cold Stem	3H-10H/C	09330B
Seat	None	—
Gasket	28	35564B
Bottom Seal		89035B
Handle Screw	37	35638B
Complete Repair Kit	—	

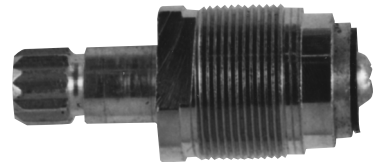


88988

MILWAUKEE

LAVATORY K-4410

3I-7

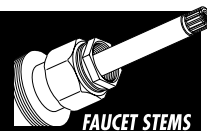


Description	ID#	Stock#
Hot Stem	3I-7H	
Cold Stem	3I-7C	
Seat	15	
Washer	1/4 Flat	35064B
"O" Ring	9	35726B
Gasket	48	35583B
Stem Screw	17	35154B
Handle Screw	48	
Complete Repair Kit	—	



Use Danco Universal Fit Handle

FAUCET STEMS

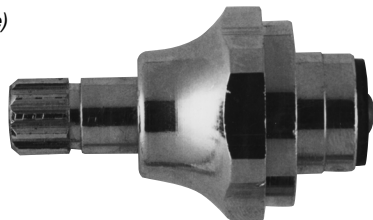


PICTURE PERFECT REPLACEMENT FAUCET STEMS FOR...

ELKAY / MILWAUKEE

3I-9

LAVATORY LK-89
SINK K4194-96 (Milwaukee)



Description	ID#	Stock#
Hot Stem	3I-9H	
Cold Stem	3I-9C	
Seat	71	
Washer	1/4 Flat	35064B
"O" Rings	12	35729B
	9	35726B
Stem Screw	4	35141B
Handle Screw	38	
Complete Repair Kit	—	

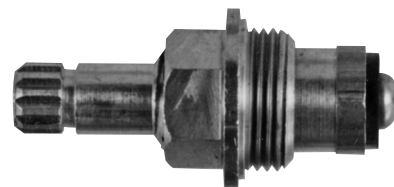


Use Danco Universal Fit Handle

PFISTER

3I-11

SINK 37-010 to 37-120



Description	ID#	Stock#
Hot/Cold Stem	3I-11H/C	15624E
Seat	39	30038E
Washer	00 Flat	35062B
"O" Ring	8	35725B
Gasket	30	35566B
Stem Screw	17	35154B
Handle Screw	38	
Complete Repair Kit	—	124164E

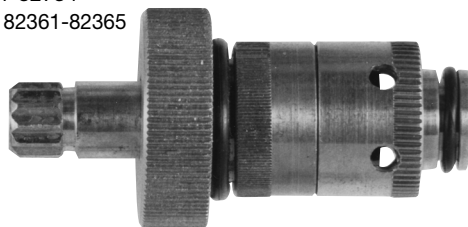


80456

UNIVERSAL RUNDLE

3I-12

SINK 82720 to 82731-82734
LAVATORY 82350 to 82361-82365



Description	ID#	Stock#
Hot Stem	3I-12H	
Cold Stem	3I-12C	
Seats	94-98	
Washer	0 Flat	35063
"O" Rings	12	35729
	8	35725
Stem Screw	17	35154
Handle Screw	37	
Bonnet Cap		
Complete Repair Kit	—	



Use Danco Universal Fit Handle

STREAMWAY

3J-1

SINK P-109
LAVATORY P-404, P-410A, P-1304A



Description	ID#	Stock#
Hot/Cold Stem	3J-1H/C	16112E
Seat	None	—
"O" Rings	14	35731B
	7	35724B
Handle Screw	48	
Complete Repair Kit	—	

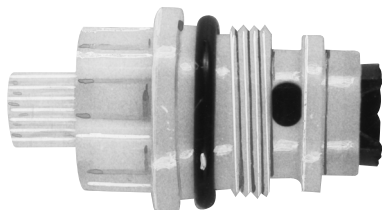


88168

NIBCO / LIFETIME

3J-2

SINK
LAVATORY
BATH



Description	ID#	Stock#
Hot/Cold Stem	3J-2H/C	17323B
Seat	None	—
"O" Rings	14	35731B
	7	35724B
Stem Screw	7	35144B
Handle Screw	5	35142B
Complete Repair Kit	—	

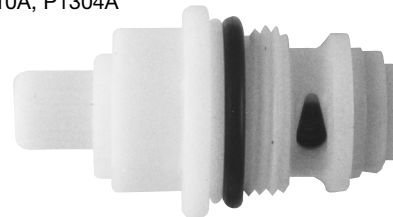


88168

STREAMWAY / NIBCO

3J-4

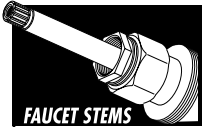
SINK P108
LAVATORY P404, P410A, P1304A



Description	ID#	Stock#
Hot/Cold Stem	3J-4H/C	16015B
Seat	None	—
"O" Rings	14	35731B
	7	35724B
Handle Screw	48	
Complete Repair Kit	—	



88168



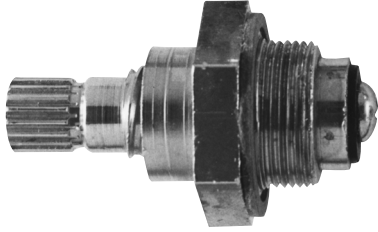
FAUCET STEMS

PICTURE PERFECT REPLACEMENT FAUCET STEMS FOR...

BRIGGS

SINK T-9153, T-9159

3J-5



Description	ID#	Stock#
Hot/Cold Stem	3J-5H/C	
Seat	10	
Washer	00 Flat	35062B
Gasket	7	35549B
"O" Ring	8	35725B
Stem Screw	13	35150B
Handle Screw	50	
Complete Repair Kit	—	

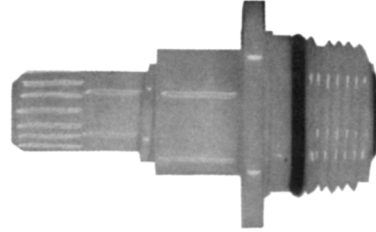
UNIVERSAL

Use Danco Universal Fit Handle

LARDEN (BRISTOL-PEERLESS)

KITCHEN
LAVATORY
SHOWER

3J-7



Description	ID#	Stock#
Hot/Cold Stem	3J-7H/C	17427B
Seat	None	—
"O" Rings	7	35724B
	40	35754B
Complete Repair Kit	—	

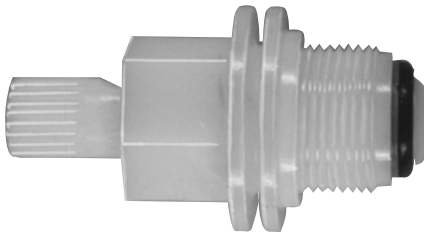
UNIVERSAL

Use Danco Universal Fit Handle

MOEN

SINK *Touch Control*
LAVATORY *Touch Control*

3J-8



Description	ID#	Stock#
Hot/Cold Stem	3J-8H/C	18526B
Seat	None	—
"O" Ring	7	35724B
Gasket	28	
Complete Repair Kit	—	

UNIVERSAL

Use Danco Universal Fit Handle

PHOENIX

SINK
LAVATORY
BATH with *Plastic Cartridge*

3J-9



Description	ID#	Stock#
Hot/Cold Stem	3J-9H/C	18593B
Seat	None	—
"O" Rings	14	35731B
	54	35768B
Handle Screw	62	
Complete Repair Kit	—	

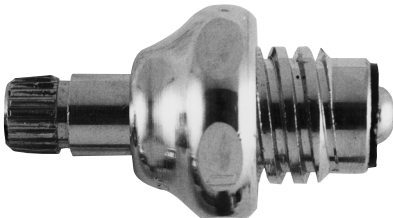


88170

AMERICAN STANDARD

LAVATORY (*Tract line*)
TL-32A, TL-33A

3K-1



Description	ID#	Stock#
Hot Stem	3K-1H	
Cold Stem	3K-1C	
Seat	54	
Washer	0 Flat	35063B
Packing	31	35194B
Stem Screw	17	35154B
Handle Screw	45	
Complete Repair Kit	—	

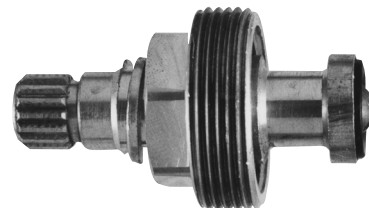
UNIVERSAL

Use Danco Universal Fit Handle

STERLING

SINK 26-190 (*N-1120*)

3L-1

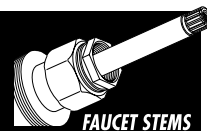


Description	ID#	Stock#
Hot Stem	3L-1H	
Cold Stem	3L-1C	
Seat	18	
Washer	00 Flat	35062
"O" Ring	8	35725
Stem Screw	5	35142
Handle Screw	34	35636
Complete Repair Kit	—	



80680

FAUCET STEMS

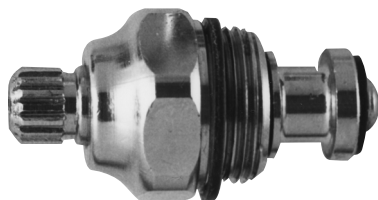


PICTURE PERFECT REPLACEMENT FAUCET STEMS FOR...

STERLING

3L-2

LAVATORY 22-300



Description	ID#	Stock#
Hot/Cold Stem	3L-2H/C	
Seat	None	—
Washer	00 Flat	35062B
Gasket	35	35570B
"O" Ring	8	35725B
Stem Screw	4	35141B
Handle Screw	35	
Complete Repair Kit	—	



80680

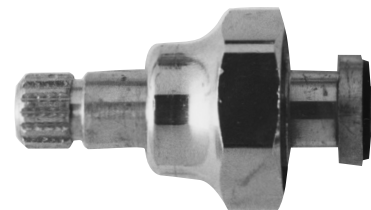
STERLING

3L-3

LAUNDRY 31-11, 31-021, 071, 081

LAVATORY 22-010

BATH 32-0111



Description	ID#	Stock#
Hot Stem	3L-3H	15934E
Cold Stem	3L-3C	15935E
Seat	None	—
Washer	00 Flat	35062B
"O" Ring	8	35725B
Stem Screw	5	35142B
Handle Screw	43	
Complete Repair Kit	—	

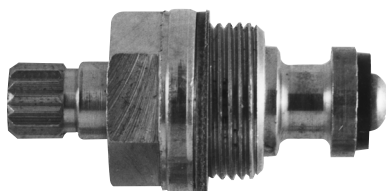


80680

STERLING

3L-4

SINK 27-010, 27-750



Description	ID#	Stock#
Hot Stem	3L-4H	
Cold Stem	3L-4C	
Seat	18	
Washer	00 Flat	35062B
"O" Ring	8	35725B
Gasket	35	35570B
Handle Screw	34	
Stem Screw	5	35142B
Complete Repair Kit	—	

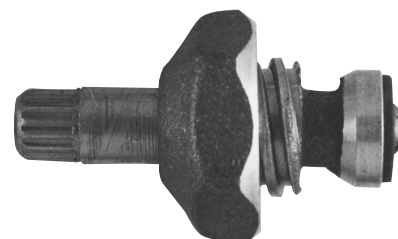


80680

CENTRAL BRASS

3L-8

SINK 41, 42



Description	ID#	Stock#
Hot Stem	3L-8H	
Cold Stem	3L-8C	
Seat	7	
Washer	0 Flat	35063B
Packing	19	35188B
Stem Screw	5	35142B
Handle Screw	35	
Complete Repair Kit	—	



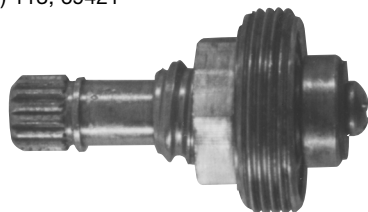
80401

STERLING / SEARS

3L-15

STERLING Bath 334-30

SEARS (Stall Shower) 113, 69421



Description	ID#	Stock#
Hot Stem	3L-15H	17333E
Cold Stem	3L-15C	17334E
Seat	18	
Washer	00 Flat	35062B
"O" Ring	8	35725B
Stem Screws	5	35142B
Complete Repair Kit	—	

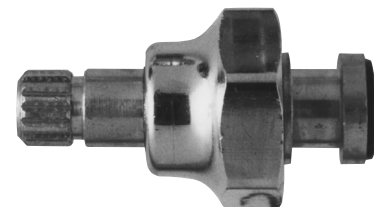


80680

STERLING

3M-1

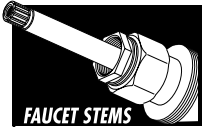
SINK (Housing)



Description	ID#	Stock#
Hot Stem	3M-1H	
Cold Stem	3M-1C	
Seat	None	—
Washer	00 Flat	35062B
"O" Ring	8	35725B
Stem Screw	4	35141B
Handle Screw	34	35636B
Complete Repair Kit	—	



80680



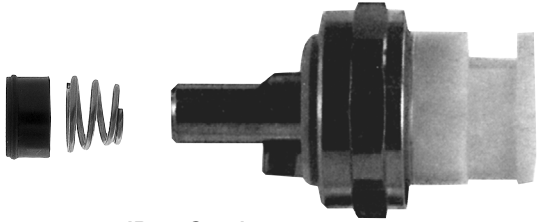
FAUCET STEMS

PICTURE PERFECT REPLACEMENT FAUCET STEMS FOR...

DELTA / PEERLESS

3S-1

SINK (Delex) 2100, 2400 Series
LAVATORY (Delex) 2500, 3524, 3504 Series



Description	ID#	Stock#
Hot/Cold Stem	3S-1H/C	16031B (with cap)
Seat & Spring	—	80694
"O" Rings	67	35784B
	31	35745B
Gasket	49	35584B
Handle Screw	16	35153B
Bonnet Cap		17833B
Complete Repair Kit	—	124134



10304

DELTA / PEERLESS

3S-2

SINK (Delex) 2100, 2400 Series
LAVATORY (Delex) 2500, 3524, 3504 Series



Description	ID#	Stock#
Hot/Cold Stem	3S-2H/C	16030B (with bonnet)
Seats & Springs	—	80694
"O" Rings	67	35784B
	31	35745B
Gasket	49	35584B
Handle Screw	16	35153B
Bonnet Cap		17833B
Complete Repair Kit	—	124134

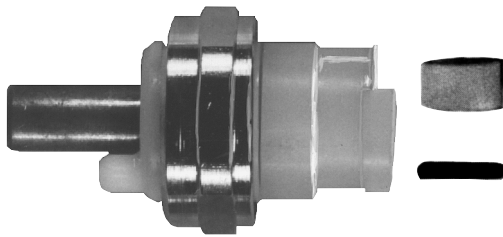


10304

DELTA / DELEX

3S-3

SINK, LAVATORY & BATH (all two handle)



Description	ID#	Stock#
Hot/Cold Stem	3S-3H/C	17464B
Seat	—	—
"O" Rings	67	35784B
	31	35745B
Handle Screw	45	35646B
Complete Repair Kit	—	—

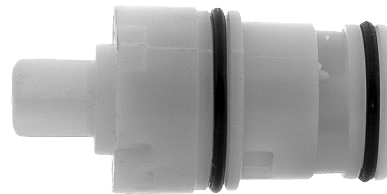


10304

KOHLER

3S-5/6

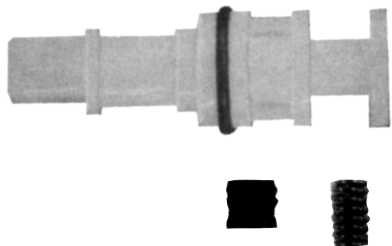
CORALAIS
SINK K-15251, K-15255
LAVATORY K-15240, K-15241, K-15261, K-15269
BATH K-15201, K-15204, K-15231, K-15234



MILWAUKEE

3S-7

SINK Series R5000
LAVATORY Series R5000



Description	ID#	Stock#
Hot/Cold Stem	3S-7H/C	—
Seats & Springs	—	88005
"O" Ring	28	35742B
Complete Repair Kit	—	—

UNIVERSAL

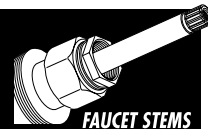
Use Danco Universal Fit Handle

Description	ID#	Stock#
Hot Stem	3S-5H	17474B (with bonnet & cap)
Cold Stem	3S-5C	17475B (with bonnet & cap)
Hot Stem	3S-6H	17472B (with bonnet)
Cold Stem	3S-6C	17473B (with bonnet)
Handle Adapter	None	—
Seat	None	—
Extension	1125SE	18059
"O" Rings	32	35746B
	67	35784B
	7	35724B
Handle Screw	3	—
Complete Repair Kit	—	—

UNIVERSAL

Use Danco Universal Fit Handle

FAUCET STEMS

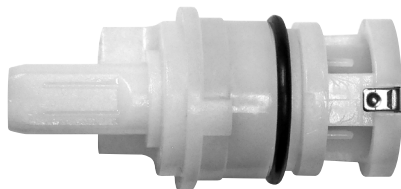


PICTURE PERFECT REPLACEMENT FAUCET STEMS FOR...

DELTA / GLACIER BAY / LUXTRA

3S-9

SINK
LAVATORY



Description	ID#	Stock#
Hot/Cold Stem	3S-9H/C	10405
Seats & Springs	—	80694
"O" Rings	30	35744B
	8	35725B
Handle Screw	16	35153B
Complete Repair Kit	—	



10304

GLACIER BAY

3S-10

Fits Model # 813-452, 886, 941, 946, 971, 973
CERAMIC DISC



Description	ID#	Stock#
Hot Stem	3S-10H	04998E
Cold Stem	3S-10C	04999E
Seat	None	—
Complete Repair Kit	—	



Use Danco Universal Fit Handle

DELTA

3S-10

SINK
LAVATORY



Description	ID#	Stock#
Hot/Cold Stem	3S-10H/C	16219B
Seat	—	80694
"O" Rings	30	35744B
	8	35725B
Handle Screws	16	35153B
Complete Repair Kit	—	



10304

GLACIER BAY / DELTA

3S-11

Fits Model # 102-823, 856, 351-040



Description	ID#	Stock#
Hot Stem	3S-11H	04990E
Cold Stem	3S-11C	04991E
Seat	None	—
"O" Ring	67	35784B
Complete Repair Kit	—	



Use Danco Universal Fit Handle

DELTA

3S-11



Description	ID#	Stock#
Hot/Cold Stem	3S-11H/C	09325B
Seat	None	—
Complete Repair Kit	—	

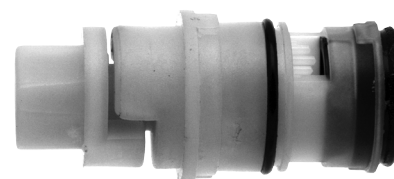


Use Danco Universal Fit Handle

GLACIER BAY

3S-12

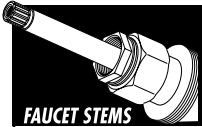
Fits Model # 170-371, 174-138, 174-239, 503-334



Description	ID#	Stock#
Hot Stem	3S-12H	04994E
Cold Stem	3S-12C	04995E
Seat	None	—
Complete Repair Kit	—	



Use Danco Universal Fit Handle

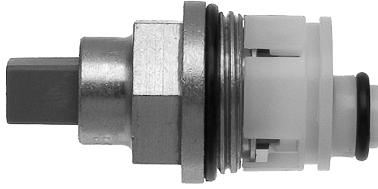


FAUCET STEMS

PICTURE PERFECT REPLACEMENT FAUCET STEMS FOR...

STERLING
CERAMIC DISC

3S-13



Description	ID#	Stock#
Hot Stem	3S-13H	
Cold Stem	3S-13C	
Seat	None	—
"O" Rings	6	35723B
	30	35744B
Complete Repair Kit		—

UNIVERSAL

Use Danco Universal Fit Handle

AQUASOURCE / GLACIER BAY

3S-15



Description	ID#	Stock#
Hot Stem	3S-15H	10406
Cold Stem	3S-15C	10407
Handle Adapter	None	—
Seat	None	—
Complete Repair Kit		—

UNIVERSAL

Use Danco Universal Fit Handle

DELTA

3S-16



Description	ID#	Stock#
Hot/Cold Stem	3S-16H/C	10474
Handle Adapter	None	—
Seats	None	—
Complete Repair Kit		—

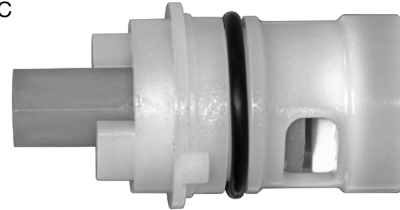
UNIVERSAL

Use Danco Universal Fit Handle

AMERICAN STANDARD

3S-17H/C

Fits Model # 954120-0070A
LAVATORY
SINK
TUB/SHOWER
CERAMIC DISC



Description	ID#	Stock#
Hot/Cold Stem	3S-17H/C	10467

VALLEY

3Z-5/6

VALLEY II
SINK TC103-8, TM103-8, TC103-8SS, TC114-8
LAVATORY TC805, TM805, TW805, TC830, TM830, TW830
BATH TC401, TC401U, TC411, TC421, TC421U, TC431, TC431U



Description	ID#	Stock#
Hot/Cold Stem	3Z-5H/C	17313B (with cap)
Hot/Cold Stem	3Z-6H/C	17312B (with bonnet)
Seat	None	—
"O" Rings	67	35784B
	8	35725B
Handle Screw	46	35647B
Complete Repair Kit		124198

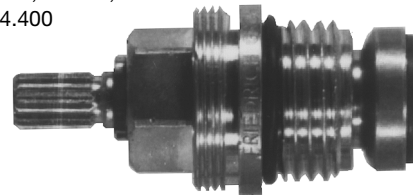


88304

GROHE

3Z-13

KITCHEN Series 20.100, 20.300, 20.400,
31.000, 31.7000, 31.800
LAVATORY Series 20.100, 20.800, 21.100
BIDET Series 7.500, 24.400

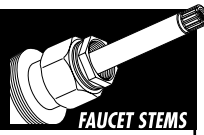


Description	ID#	Stock#
Hot/Cold Stem	3Z-13H/C	18553B
Handle Adapter	None	—
Seats		177
		178
		179
"O" Rings	28	35742B
	30	35744B
	7	35724B
Complete Repair Kit		—

UNIVERSAL

Use Danco Universal Fit Handle

FAUCET STEMS

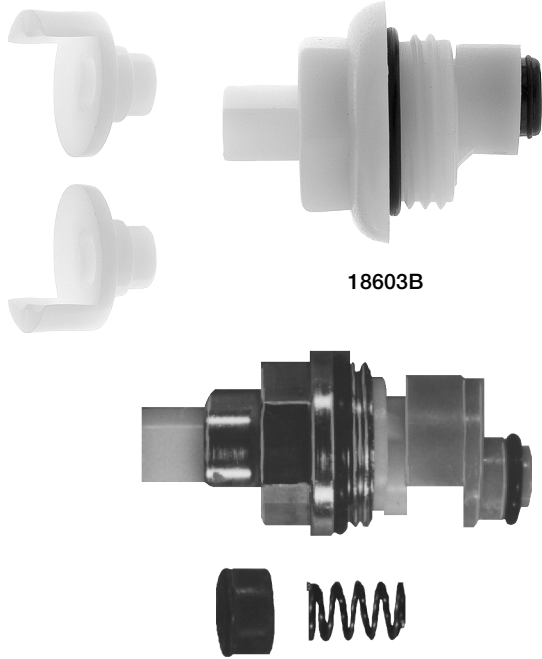


PICTURE PERFECT REPLACEMENT FAUCET STEMS FOR...

STERLING (ROCKWELL)

3Z-7/8-14

LAVATORY 060 Series
SINK 081, 083 Series
LAUNDRY/BAR 083 Series



18603B

Description	ID#	Stock#
Hot/Cold Stem	3Z-7H/C	17324B
Hot/Cold Stem	3Z-8H/C	17457B (with metal bonnet)
Hot/Cold Stem	3Z-14H/C	18603B (with plastic bonnet)
Handle Adapter	None	—
Seat	Included	—
"O" Rings	8	35725B
	6	35723B
	32	35746B
Gasket	67	35784B
Handle Screw	43	—
Complete Repair Kit	—	—



88670

AMERICAN STANDARD / GLACIER BAY

3Z-16



Description	ID#	Stock#
Hot Stem	3Z-16H	10323
Cold Stem	3Z-16C	10324
Handle Adapter	None	—
Seats	None	—
"O" Rings	None	—
Complete Repair Kit	—	—

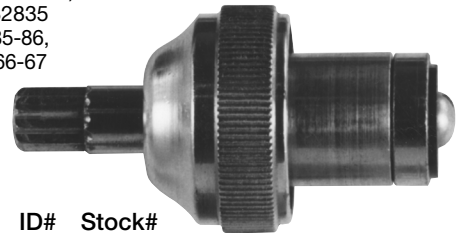
UNIVERSAL

Use Danco Universal Fit Handle

CRANE

4A-2

New Sleeve Unit (25-A-25%)
SINK C-32746-S, C-32835
LAVATORY C-32180-85-86,
C-32165-66-67



Description	ID#	Stock#
Hot Stem	4A-2H	—
Cold Stem	4A-2C	—
Seats	37 or 34	—
Washer	3/8 Flat	35066B
"O" Ring	8	35725B
Gasket	13	35555B
Packing	50	35206B
Stem Screw	4	35141B
Handle Screw	5	35142B
Complete Repair Kit	—	—



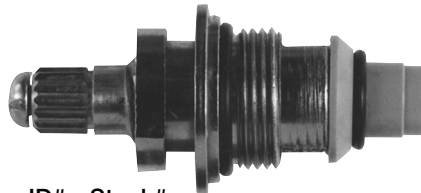
88089

SAYCO

4B-1

To Convert Standard Faucets to Washerless Operation

SINK W-115A, W-822A, W-800, W-800A, W-802, W-802A
LAVATORY W-212A, W-422A, W-400, W-400A, W-402, W-402A



Description	ID#	Stock#
Hot/Cold Stem	4B-1H/C	—
Seat	None	—
"O" Rings	35	35749B
	36	35750B
	8	35725B
	7	35724B
Handle Screws	4	35141B
	5	35142B
Complete Repair Kit	—	—

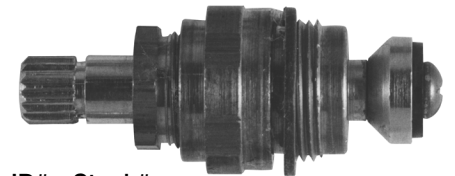
UNIVERSAL

Use Danco Universal Fit Handle

SAYCO

4B-4

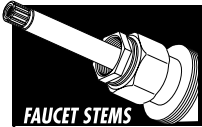
SINK 282-S
LAVATORY 240-42



Description	ID#	Stock#
Hot Stem	4B-4H	—
Cold Stem	4B-4C	—
Seat	27	30026E
Washer	00 Flat	35062B
Gasket	28	35564B
Packing	50	35206B
Stem Screw	4	35141B
Handle Screw	5	35142B
Complete Repair Kit	—	—

UNIVERSAL

Use Danco Universal Fit Handle



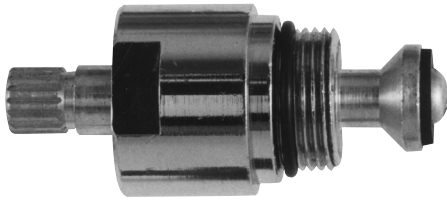
FAUCET STEMS

PICTURE PERFECT REPLACEMENT FAUCET STEMS FOR...

SAYCO

250 Portable Dishwasher

4B-7



Description	ID#	Stock#
Hot/Cold Stem	4B-7H/C	
Seat	113	30112E
Washer	00 Flat	35062B
"O" Rings	35	35749B
	8	35725B
Stem Screw	4	35141B
Handle Screw	4	35141B
Complete Repair Kit	—	

UNIVERSAL

Use Danco Universal Fit Handle

ELJER

LAVATORY E-9143-47

4C-2



Description	ID#	Stock#
Hot Stem	4C-2H	15786E
Cold Stem	4C-2C	15787E
Seat	12	30011E
Washer	1/4 Flat	35064B
Gasket	28	35564B
Packing	52	35208B
Stem Screw	5	35142B
Handle Screw	45	35646B
Complete Repair Kit	—	

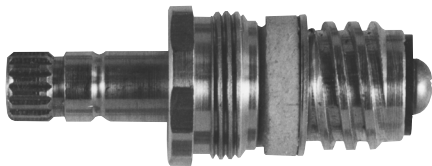
UNIVERSAL

Use Danco Universal Fit Handle

AMERICAN STANDARD

LAVATORY C-507-1B, C-507-1F, C-547-1

4C-4



Description	ID#	Stock#
Hot Stem	4C-4H	
Cold Stem	4C-4C	
Seat	44	30043E
Washer	0 Flat	35063B
Packing	93	35229B
Stem Screw	5	35142B
Handle Screw	38	35639B
Complete Repair Kit	—	

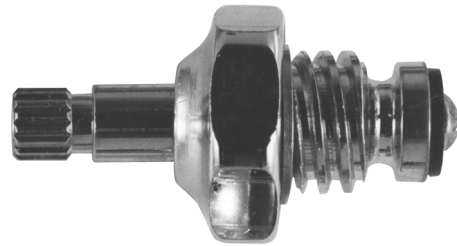
UNIVERSAL

Use Danco Universal Fit Handle

CENTRAL BRASS

SINK 21, 23, 26, 28

4C-6



Description	ID#	Stock#
Hot Stem	4C-6H	
Cold Stem	4C-6C	
Seat	7	30006E
Washer	0 Flat	35063B
Packing	58	35212B
Stem Screw	5	35142B
Handle Screw	34	35636B
Complete Repair Kit	—	

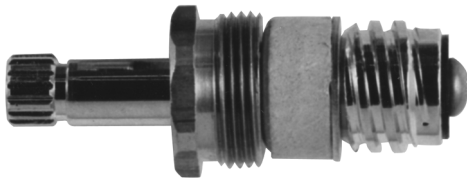
UNIVERSAL

Use Danco Universal Fit Handle

AMERICAN STANDARD

SINK (Colony) C4109

4C-13



Description	ID#	Stock#
Hot Stem	4C-13H	
Cold Stem	4C-13C	
Seat	44	30043E
Washer	0 Flat	35063B
Packing	88	35224B
Stem Screw	18	35155B
Handle Screw	48	35649B
Complete Repair Kit	—	

UNIVERSAL

Use Danco Universal Fit Handle

ELJER

DECK FAUCET

4C-21

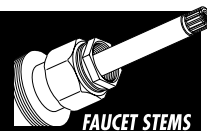


Description	ID#	Stock#
Hot Stem	4C-21H	
Cold Stem	4C-21C	
Seat	12	30011E
Washer	00	35062B
Packing	206	36626B
Stem Screw	16	35153B
Gasket	28	35564B
Complete Repair Kit	—	

UNIVERSAL

Use Danco Universal Fit Handle

FAUCET STEMS



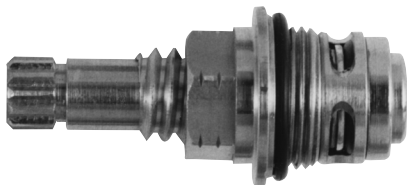
PICTURE PERFECT REPLACEMENT FAUCET STEMS FOR...

PFISTER

4H-1

SINK 35 (Housing)

NOTE
Stems are shipped
complete with
Spacer & Seat



Description	ID#	Stock#
Hot/Cold Stem	4H-1H/C	17216E
Seat	132	
Washer	00 Flat	35062B
"O" Rings	30	35744B
	8	35725B
Stem Screw	16	35153B
Handle Screw	38	35639B
Complete Repair Kit	—	

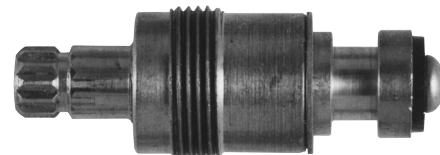


88385

PFISTER

4H-2

SINK 590-600, 592-602



Description	ID#	Stock#
Hot Stem	4H-2H	
Cold Stem	4H-2C	
Seat	39	30038E
Washer	00 Flat	35062B
"O" Ring	8	35725B
Gasket	38	35573B
Stem Screw	17	35154B
Handle Screw	38	35639B
Complete Repair Kit	124174E	

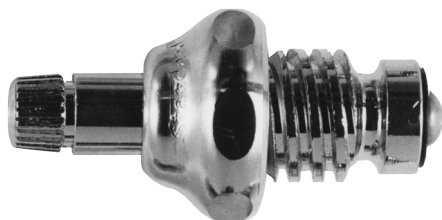


88385

AMERICAN STANDARD

4K-1

SINK B-904-10, B-908-13



Description	ID#	Stock#
Hot Stem	4K-1H	
Cold Stem	4K-1C	
Seat	1	
Washer	0 Flat	35063B
Packing	31	35194B
Stem Screw	17	35154B
Handle Screw	45	35646B
Complete Repair Kit	—	

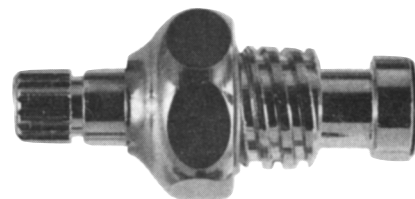


Use Danco Universal Fit Handle

STERLING

4L-2

LAUNDRY 31-011, 31-021, 31-071, 31-081
SINK 200, 1120
SHOWER 32-011



Description	ID#	Stock#
Hot Stem	4L-2H	15237E (stem only)
Cold Stem	4L-2C	15238E (stem only)
Seat	18	30017E
Washer	00 Flat	35062B
Packing	21	35190B
Stem Screw	17	35154B
Handle Screw	34	35636B
Complete Repair Kit	—	

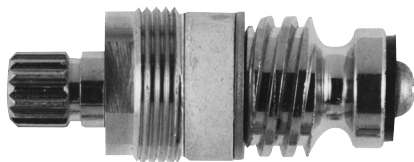


Use Danco Universal Fit Handle

STERLING

4L-3

SINK (Housing)



Description	ID#	Stock#
Hot Stem	4L-3H	
Cold Stem	4L-3C	
Seat	18	30017E
Washers	1/4 Flat	35064B
Packing	75	35220B
Stem Screws	4	35141B
Handle Screws	34	35636B
Complete Repair Kit	—	

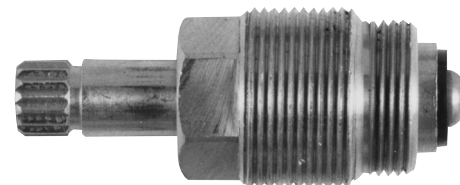


Use Danco Universal Fit Handle

STERLING FAUCET

4L-9

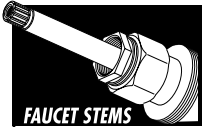
SHOWER 33-200, 333-00



Description	ID#	Stock#
Hot Stem	4L-9H	15955B
Cold Stem	4L-9C	15956B
Seat	18	30017E
Washer	00 Flat	35062B
"O" Ring	8	35725B
Stem Screw	5	35142B
Handle Screw	34	35636B
Complete Repair Kit	—	



Use Danco Universal Fit Handle



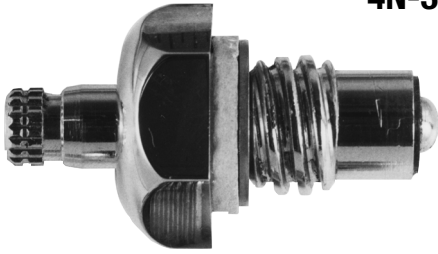
FAUCET STEMS

PICTURE PERFECT REPLACEMENT FAUCET STEMS FOR...

KOHLER

SINK K-8655-60

4N-3



Description	ID#	Stock#
Hot Stem	4N-3H	
Cold Stem	4N-3C	
Seat	2	30001E
Washer	00 Flat	35062B
"O" Ring	1	35721B
Packing	41	35197B
Stem Screw	17	35154B
Handle Screw	42	35643B
Complete Repair Kit	—	

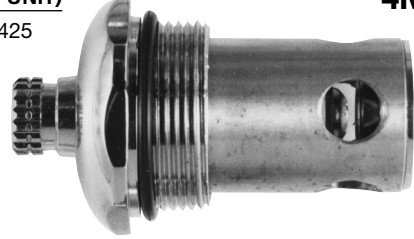
UNIVERSAL

Use Danco Universal Fit Handle

KOHLER (VALVET UNIT)

SINK K-10420, K-10425
LAVATORY K10300

4N-6



Description	ID#	Stock#
Hot Stem	4N-6H	15795E (with bonnet)
Cold Stem	4N-6C	15796E (with bonnet)
Seat	56	30055E
Washer	00 Flat	35062B
"O" Rings	33	35747B
	9	35726B
Packing	41	35197B
Stem Screw	31	35633B
Handle Screw	42	35643B
Complete Repair Kit	—	

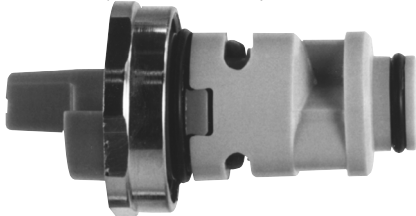
UNIVERSAL

Use Danco Universal Fit Handle

MILWAUKEE / SEARS / UNIVERSAL RUNDLE

SINK (Milwaukee) K6380, 81, (Universal Rundle) 86381-2
LAVATORY (Milwaukee) K6240, 41, (Universal Rundle) 86240-2

4S-2



Description	ID#	Stock#
Hot Stem	4S-2H	17241B (with bonnet)
Cold Stem	4S-2C	17242B (with bonnet)
Seat	None	—
"O" Rings	67	35784B
	7	35724B
	41	35755B
Handle Screw	53	35654B
Complete Repair Kit	—	

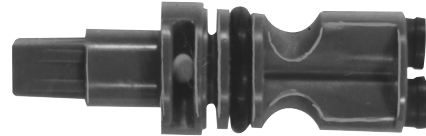
UNIVERSAL

Use Danco Universal Fit Handle

MILWAUKEE

CAREFREE
LAVATORY (KITCHEN) Series 8000

4S-8



Description	ID#	Stock#
Hot/Cold Stem	4S-6H/C	18545B
Seat	—	88005
"O" Ring	9	35726B
Handle Screw	5	35887B
Complete Repair Kit	—	

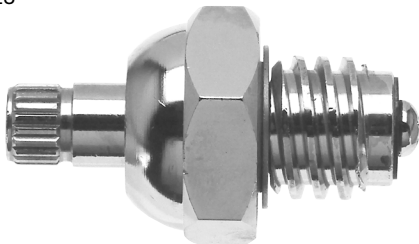
UNIVERSAL

Use Danco Universal Fit Handle

T&S BRASS

SINK B-1100 to B-1128

4Z-1



Description	ID#	Stock#
Hot Stem	4Z-1H	
Cold Stem	4Z-1C	
Seat	10	30009E
Washer	0 Flat	35063B
Packing	30	35193B
Stem Screw	6	35143B
Handle Screw	56	35657B
Complete Repair Kit	—	

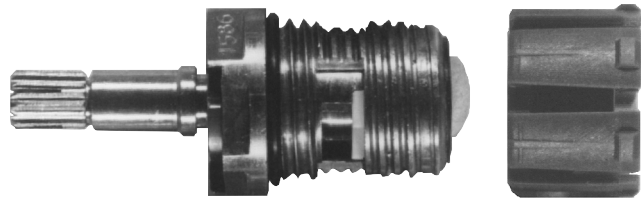
UNIVERSAL

Use Danco Universal Fit Handle

AMERICAN STANDARD

LAVATORY Amarilis widespread
LAVATORY Series 8800
CERAMIC DISC

4Z-8

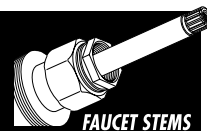


Description	ID#	Stock#
Hot/Cold Stem	4Z-8H/C	17484E
Seat	None	—
"O" Rings	30	35744B
	28	35742B
	83	35711B
Handle Screw	82	
Complete Repair Kit	—	

UNIVERSAL

Use Danco Universal Fit Handle

FAUCET STEMS

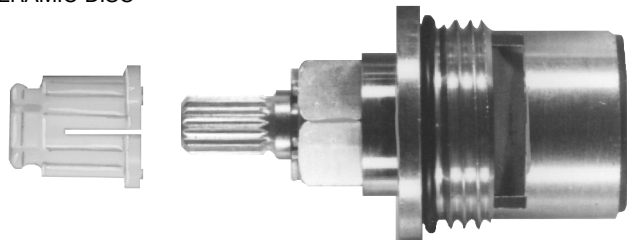


PICTURE PERFECT REPLACEMENT FAUCET STEMS FOR...

KOHLER / EUROPEAN 3/4-20PT

4Z-9

CERAMIC DISC



Description	ID#	Stock#
Hot Stem	4Z-9H	
Cold Stem	4Z-9C	
"O" Rings	66	35780B
	5	35722B
Handle Screw	58	35659B
Complete Repair Kit		89023*

*Note: Repairs Danco replacement stem only. Will Not Repair original manufacturer's stem.

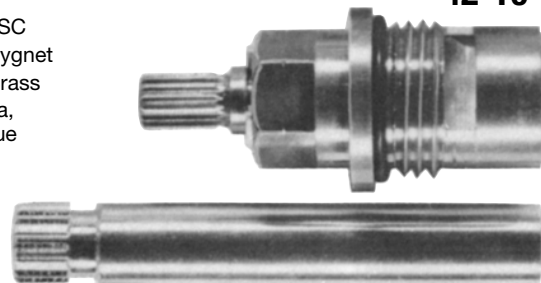
UNIVERSAL

Use Danco Universal Fit Handle

KOHLER

4Z-10

CERAMIC DISC
LAVATORY Cygnet
IV Georges Brass
BATH Bravara,
Flair II, Antique



Description	ID#	Stock#	Stem Extension
Hot Stem	4Z-10H	17476E	
Cold Stem	4Z-10C	17477E	
Extension	18052	—	
Handle Adapter	None	—	
Seat	None	—	
"O" Rings	47	35761B	
	67	35784B	
Complete Repair Kit		—	

UNIVERSAL

Use Danco Universal Fit Handle

AMERICAN STANDARD

4Z-24H/C

Fits Model # 994053-007A
BATH
LAVATORY



Description	ID#	Stock#
Hot/Cold Stem	4Z-24H/C	10472

UNIVERSAL

Use Danco Universal Fit Handle

AQUASOURCE

4Z-25

Fits Model # 97923 & 306203



Description	ID#	Stock#
Hot Stem	4Z-25H	10669
Cold Stem	4Z-25C	10671

UNIVERSAL

Use Danco Universal Fit Handle

CRANE

5A-1/2

ALL CRANE Dial-ese Fixtures for
SINK
LAVATORY
BATH
LAUNDRY



Description	ID#	Stock#
Hot Stem	5A-1H	15119E
Cold Stem	5A-1C	15120E
Hot Stem	5A-2H	15117E (stem only)
Cold Stem	5A-2C	15118E (stem only)
Seat	None	—
"O" Ring	1	35721B
Gasket	3	35545B
Packing	97	35233B
Handle Screw	42	35643B
Complete Repair Kit		80042

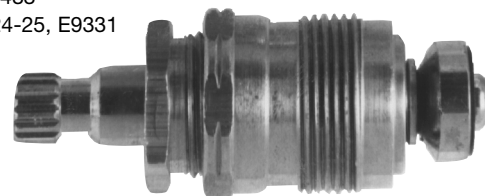
UNIVERSAL

Use Danco Universal Fit Handle

ELJER

5C-1

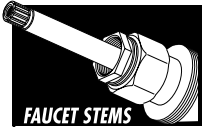
BATH E9482, E9483
LAVATORY E9324-25, E9331



Description	ID#	Stock#
Hot Stem	5C-1H	17197E
Cold Stem	5C-1C	17198E
Seat		14
Washer	1/4 Flat	35064B
Gasket	28	35564B
Packing	52	35208B
Stem Screw	4	35141B
Handle Screw	45	35646B
Complete Repair Kit		—

UNIVERSAL

Use Danco Universal Fit Handle



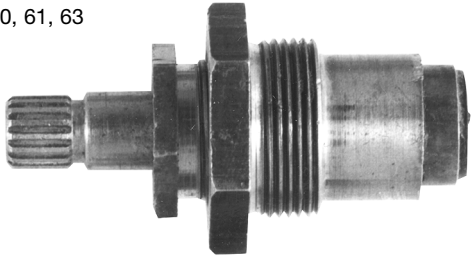
FAUCET STEMS

PICTURE PERFECT REPLACEMENT FAUCET STEMS FOR...

ELJER

SINK E-9562-R, 60, 61, 63

5C-3



Description	ID#	Stock#
Hot Stem	5C-3H	
Cold Stem	5C-3C	
Seat	12	30011E
Washer	1/4 Flat	35064B
Gasket	15	35556B
Packing	51	35207B
Stem Screw	4	35141B
Handle Screw	45	35646B
Complete Repair Kit	—	

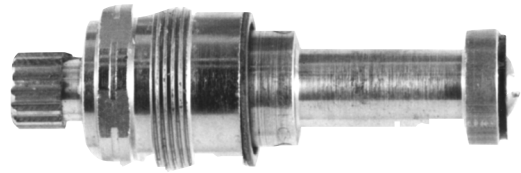


Use Danco Universal Fit Handle

KOHLER

LAVATORY K10820
(Shoreham)

5C-7



Description	ID#	Stock#
Hot Stem	5C-7H	
Cold Stem	5C-7C	
Seat	93	30092E
Washer	00 Flat	35062B
"O" Ring	8	35725B
Gaskets	38	35573B
Stem Screw	5	35142B
Handle Screw	48	
Complete Repair Kit	—	



Use Danco Universal Fit Handle

PFISTER

BATH (Mobile Home)

5G-2



Description	ID#	Stock#
Hot/Cold Stem	5G-2H/C	18531B
Seat	176	
Washer	00 Flat	35062B
"O" Ring	8	35725B
Gasket	7	35549B
Packing	97	35233B
Stem Screws	16	35153B
	34	38819B
Handle Screw	16	35153B
Complete Repair Kit	—	

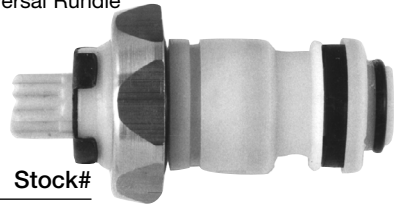


88167

ELKAY / UNIVERSAL RUNDLE / SEARS

5I-1

SINK LK201, 222, 223, 231, 232 Elkay
LAVATORY LK211 Elkay
SINK 8700, 8767 Bradley
LAVATORY 8000-8230 Bradley
BATH 8300-8479 Bradley
SINK 82720-82734 Universal Rundle
LAVATORY 82360-8265 Universal Rundle
SINK 2158 Series



Description	ID#	Stock#
Hot Stem	5I-1H	17320E
Cold Stem	5I-1C	17321E
Seats	88/89/94	
"O" Rings	53	35767B
	7	35724B
Complete Repair Kit	—	



Use Danco Universal Fit Handle

ELKAY / UNIVERSAL RUNDLE / SEARS

SINK
LAVATORY
BATH

5I-3



Description	ID#	Stock#
Hot Stem	5I-3H	17419B (stem only)
Cold Stem	5I-3C	17420B (stem only)
Seats	88/89/94	
"O" Rings	12	35729B
	8	35725B
	7	35724B
Handle Screw	38	35639B
Bonnet Cap		17668B
Complete Repair Kit	—	

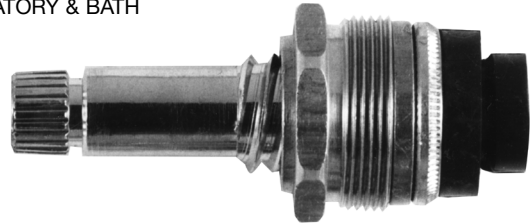


Use Danco Universal Fit Handle

AMERICAN STANDARD

Aqua Seal Unit For
SINK, LAVATORY & BATH

5K-1

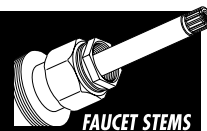


Description	ID#	Stock#
Hot Stem	5K-1H	
Cold Stem	5K-1C	
Seat	20	30019E
"O" Ring	7	35724B
Complete Repair Kit		124102



88081

FAUCET STEMS

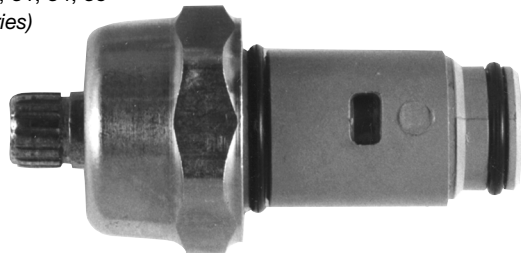


PICTURE PERFECT REPLACEMENT FAUCET STEMS FOR...

WOLVERINE BRASS

5L-7

SINK 52430, 31, 34, 35
(FINALE Series)



Description	ID#	Stock#
Hot Stem	5L-7H	17251B
Cold Stem	5L-7C	17252B
Seat	None	—
"O" Rings	28	35742B
	67	35784B
	6	35723B
Handle Screw	48	35649B
Complete Repair Kit	—	—

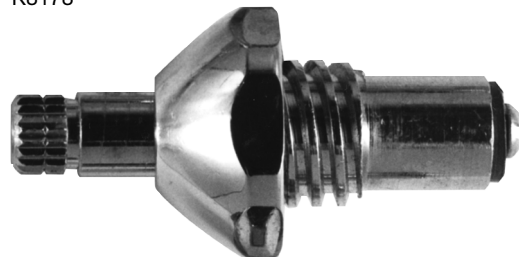
UNIVERSAL

Use Danco Universal Fit Handle

KOHLER

5N-1

LAVATORY K8178



Description	ID#	Stock#
Hot/Cold Stem	5N-1H/C	—
Seat	1Z-5	—
Washers	00 Flat	35062B
"O" Ring	1	35721B
Stem Screw	5	35142B
Handle Screw	42	—
Complete Repair Kit	—	—

UNIVERSAL

Use Danco Universal Fit Handle

SPEAKMAN

5P-3

CERAMIC DISC
SINK Commander 8" Deck + Gooseneck
LAVATORY Commander 4" Centerset
PANTRY Commander 4" Gooseneck
SLOP SINK Commander



Description	ID#	Stock#
Hot Stem	5P-3H	—
Cold Stem	5P-3C	—
Seat	None	—
"O" Rings	30	35744B
	5	35722B
Handle Screws	4	35141B
	48	35649B
Complete Repair Kit	—	—

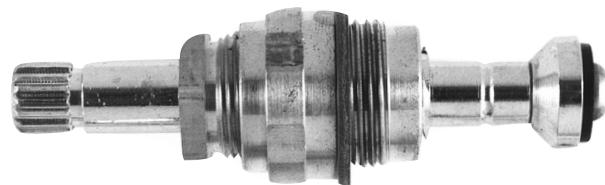
UNIVERSAL

Use Danco Universal Fit Handle

SAYCO

6B-5

SINK 1100-2800 Series



Description	ID#	Stock#
Hot Stem	6B-5H	—
Cold Stem	6B-5C	—
Seat	27	30026
Washer	00 Flat	35062
Gasket	28	35564
Packing	50	35206
Stem Screw	4	35141
Handle Screw	5	35142
Complete Repair Kit	—	—

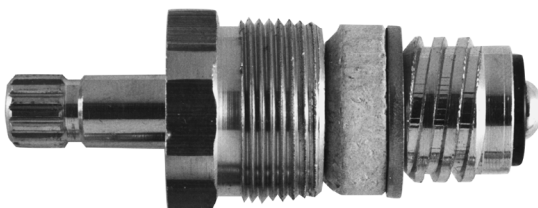
UNIVERSAL

Use Danco Universal Fit Handle

AMERICAN KITCHEN

6C-1

SINK LF-100C, LF-200E



Description	ID#	Stock#
Hot Stem	6C-1H	—
Cold Stem	6C-1C	—
Seat	26	30025E
Washer	1/4 Flat	35064B
Packing	49	35205B
Stem Screw	4	35141B
Handle Screw	48	35649B
Complete Repair Kit	—	—

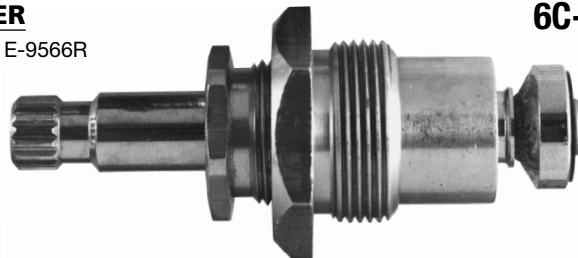
UNIVERSAL

Use Danco Universal Fit Handle

ELJER

6C-4

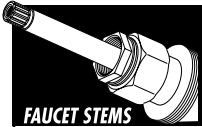
SINK E-9566R



Description	ID#	Stock#
Hot Stem	6C-4H	—
Cold Stem	6C-4C	—
Seat	12	30011E
Washer	1/4 Flat	35064B
Gasket	15	35556B
Packing	52	35208B
Stem Screw	16	35153B
Handle Screws	38	35639B
	45	35646B
Complete Repair Kit	—	—

UNIVERSAL

Use Danco Universal Fit Handle



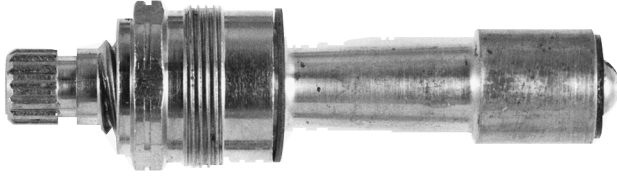
FAUCET STEMS

PICTURE PERFECT REPLACEMENT FAUCET STEMS FOR...

KOHLER

LAVATORY K-10810

6C-8



Description	ID#	Stock#
Hot Stem	6C-8H	
Cold Stem	6C-8C	
Seat	93	30092E
Washer	00 Flat	35062B
"O" Ring	8	35725B
Gasket	38	35573B
Stem Screw	5	35142B
Handle Screw	48	35649B
Complete Repair Kit	—	

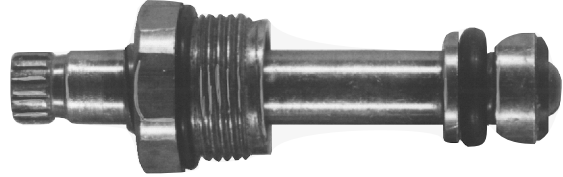
UNIVERSAL

Use Danco Universal Fit Handle

ELJER

LAVATORY Regata Series 555

6C-11



Description	ID#	Stock#
Hot/Cold Stem	6C-11H/C	
Seat	70	30069E
"O" Rings	53	35767B
	31	35745B
Stem Screws	4	35141B
Complete Repair Kit	—	

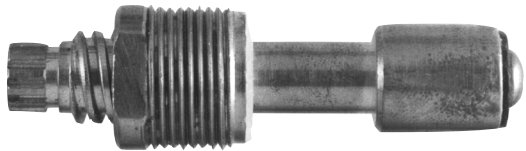
UNIVERSAL

Use Danco Universal Fit Handle

HARCRAFT

SINK 11-210 to 11-271

6G-1



Description	ID#	Stock#
Hot/Cold Stem	6G-1H/C	15792E
Seat	65	30064E
Washer	00 Flat	35062B
"O" Ring	8	35725B
Gasket	39	35574B
Stem Screw	16	35153B
Handle Screw	49	35650B
Complete Repair Kit	—	

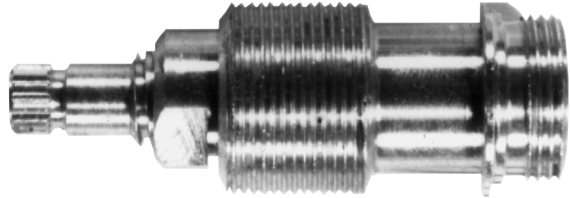


88737

PFISTER

BATH (Mobile Home)

6G-2



Description	ID#	Stock#
Hot/Cold Stem	6G-2H/C	18552B
Seat	176	
Washer	00 Flat	35062B
"O" Ring	8	35725B
Gasket	7	35549B
Stem Screws	16	35153B
Complete Repair Kit	—	

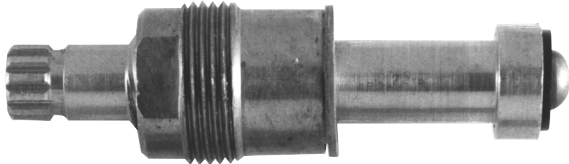


88305

PFISTER

SINK 703, 704, 705, 707

6H-1



Description	ID#	Stock#
Hot Stem	6H-1H	
Cold Stem	6H-1C	
Seat	121	
Washer	00 Flat	35062B
"O" Ring	8	35725B
Gasket	38	35573B
Stem Screw	16	35153B
Handle Screw	38	35639B
Complete Repair Kit	—	

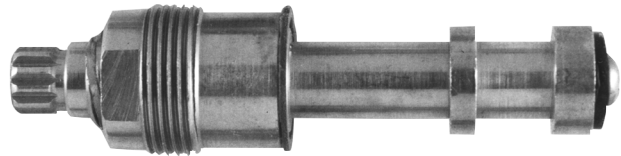


88997

PFISTER

SINK 708, 709, 710, 1010A

6H-2

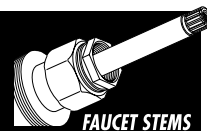


Description	ID#	Stock#
Hot Stem	6H-2H	
Cold Stem	6H-2C	
Seat	39	30038E
Washer	00 Flat	35062B
"O" Ring	8	35725B
Gasket	38	35573B
Stem Screw	16	35153B
Handle Screw	38	35639B
Complete Repair Kit	—	



88997

FAUCET STEMS

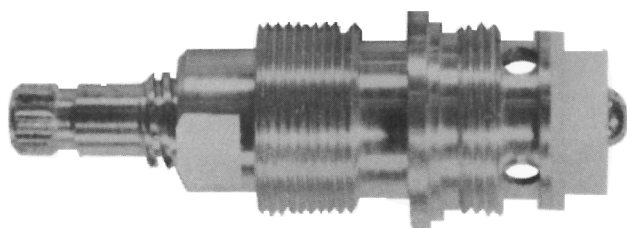


PICTURE PERFECT REPLACEMENT FAUCET STEMS FOR...

PFISTER

BATH (*Mobile Home*)

6I-4



Description	ID#	Stock#
Diverter Stem	6I-4D	18551B
Seat	38	30037B
"O" Ring	8	35725B
Gasket	33	35568B
Stem Screws	16	35153B
Handle Screw	38	35639B
Complete Repair Kit		124166

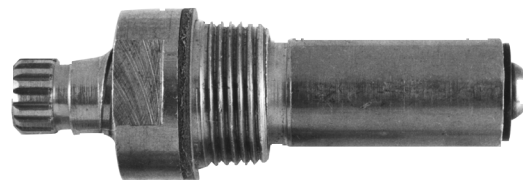
UNIVERSAL

Use Danco Universal Fit Handle

AMERICAN BRASS

SINK 400-500

6J-1



Description	ID#	Stock#
Hot Stem	6J-1H	15471E
Seat	51	30050E
Washer	00 Flat	35062B
"O" Ring	8	35725B
Gasket	28	35564B
Stem Screw	16	35153B
Handle Screw	48	35649B
Complete Repair Kit		—

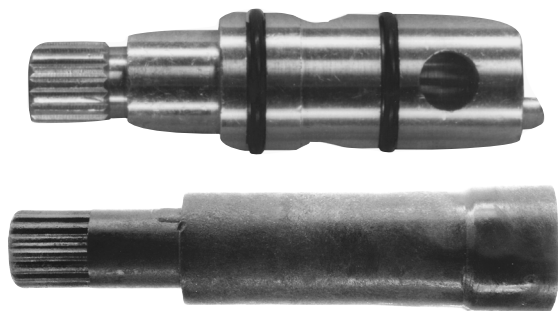
UNIVERSAL

Use Danco Universal Fit Handle

NIBCO

SHOWER

6J-2



Stem Extension
#18030

Description	ID#	Stock#
Diverter Stem	6J-2D	17452B
Seat	None	—
Stem Extension	1112SE	18030B
"O" Ring	54	35768B
Handle Screw	41	35142B

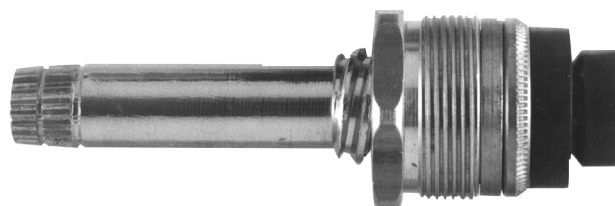
UNIVERSAL

Use Danco Universal Fit Handle

AMERICAN STANDARD

Aqua Seal Unit used in Hospital Fixtures

6K-2



Description	ID#	Stock#
Hot Stem	6K-2H	
Cold Stem	6K-2C	
Seat	20	30019E
"O" Ring	102	75055
Handle Screws	45	35646
	53	35654
Complete Repair Kit		—

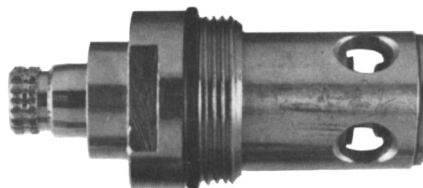


88081

KOHLER

SINK K7821, K7823, K7825, K7827
LAVATORY K7401

6N-2

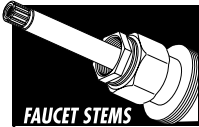


Description	ID#	Stock#
Hot Stem	6N-2H	15553E (with Barrel)
Cold Stem	6N-2C	15554E (with Barrel)
Seat	56	30055E
Washer	00 Flat	35062B
Bonnet Cap	452BC	17663B

Description	ID#	Stock#
"O" Rings	33	35747B
	9	35726B
Stem Screw	31	
Handle Screws	42	
Complete Repair Kit		—

UNIVERSAL

Use Danco Universal Fit Handle



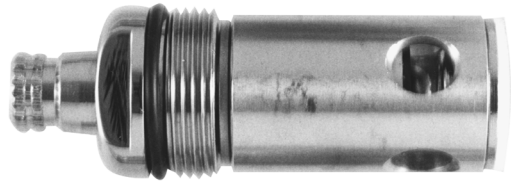
FAUCET STEMS

PICTURE PERFECT REPLACEMENT FAUCET STEMS FOR...

KOHLER

6N-3

SINK K7761, K7765, K7791, K7795, K10400, K10405
 LAVATORY K7436, K7437, K7439, K7449, K8040, K10320
 HOSPITAL K13341, K13343, K13388 (Blade Handle)



Description	ID#	Stock#
Hot Stem	6N-3H	17009E (with Barrel & Cap)
Cold Stem	6N-3C	17010E (with Barrel & Cap)
Seat	56	30055E
Washer	00 Flat	35062B
Bonnet Cap	944BC	

Description	ID#	Stock#
"O" Rings	40	35754B
	9	35726B
Stem Screw	31	
Handle Screws	42	
Complete Repair Kit	—	

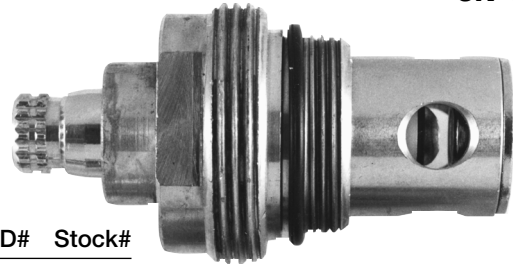


Use Danco Universal Fit Handle

KOHLER

6N-7

BATH K7004, 10, 14, 34, 43, 46, 48, K7226, 34



Description	ID#	Stock#
Hot Stem	6N-7H	17017B (with Barrel & Cap)
Cold Stem	6N-7C	17018B (with Barrel & Cap)
Seat	56	30055E
Washer	00 Flat	35062B
Bonnet Cap	948 BC	

Description	ID#	Stock#
"O" Rings	33	35747B
	9	35726B
Stem Screw	31	
Handle Screw	47	
Complete Repair Kit	—	

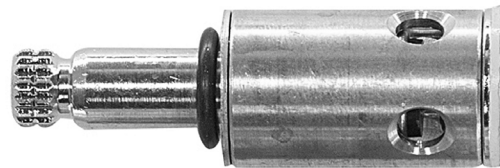


Use Danco Universal Fit Handle

KOHLER

6N-10

SINK K7821, 23, 25, 27
 LAVATORY K7401



Description	ID#	Stock#
Hot Stem	6N-10H	17460E
Cold Stem	6N-10C	17461E
Seat	56	30055E
Washer	00 Flat	35062B
"O" Rings	33	35747B
	9	35726B
Stem Screw	31	
Handle Screws	42	
	47	
Complete Repair Kit	—	

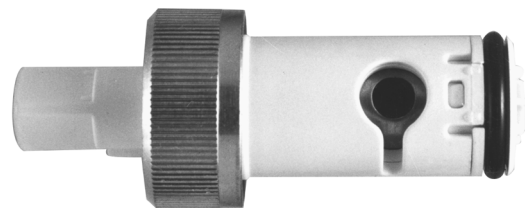


Use Danco Universal Fit Handle

MOEN

6S-1

BATH
 SINK
 LAVATORY

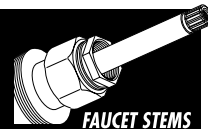


Description	ID#	Stock#
Hot/Cold Stem	6S-1H/C	18326B
Seat	None	—
"O" Ring	11	35728B
Complete Repair Kit	—	



88062

FAUCET STEMS

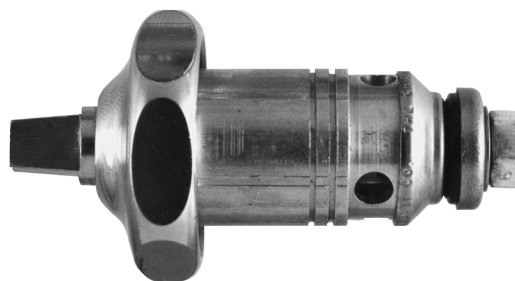


PICTURE PERFECT REPLACEMENT FAUCET STEMS FOR...

CHICAGO

BATH (with Short Valves)
SINK
LAVATORY

6S-3



Description	ID#	Stock#
Hot Stem	6S-3H	15111E (with Bonnet)
Cold Stem	6S-3C	15112E (with Bonnet)
Seat	1-27	—
Gasket	37	35572B
Packing	19	35188B
Handle Screw	43	—
Complete Repair Kit		80047

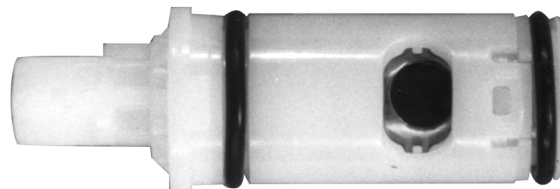


Use Danco Universal Fit Handle

MOEN

ROMAN TUBS (OEM Ref. No. 1248)

6S-71



Description	ID#	Stock#
Hot/Cold Stem	6S-71H/C	14191B
Seat	None	—
"O" Ring	80	35714B
Complete Repair Kit		—

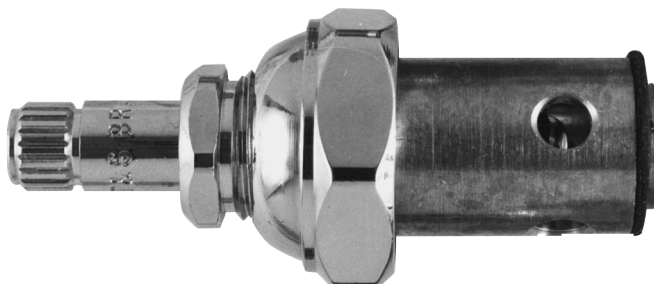


88062

T&S BRASS

SINK B-121, B-122, B-123, B-124 (from 1968)
LAVATORY B-850 to B-894

6Z-4



Description	ID#	Stock#
Hot Stem	6Z-4H	16098E (with Bonnet)
Cold Stem	6Z-4C	16099E (with Bonnet)
Seat	None	—
Washer	0 Flat	35063B
"O" Ring	1	35721B
Gasket	45	35580B
Stem Screw	5	35142B
Handle Screw	35	—
Complete Repair Kit		—

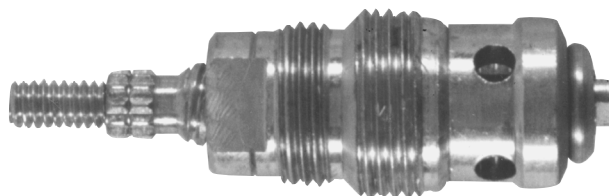


Use Danco Universal Fit Handle

CRANE

All hospital fixtures with blade handles

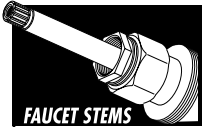
6Z-13



Description	ID#	Stock#
Hot Stem	6Z-13H	—
Cold Stem	6Z-13C	—
Seat	None	—
"O" Ring	1	35721B
Gasket	3	35545B
Packing	97	35233B
Complete Repair Kit		—



Use Danco Universal Fit Handle



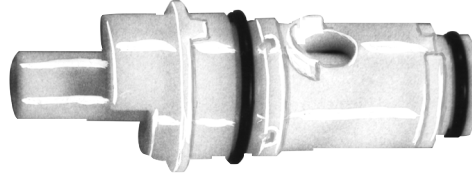
FAUCET STEMS

PICTURE PERFECT REPLACEMENT FAUCET STEMS FOR...

VALLEY

ROMAN TUBS (OEM Ref. No. V6860) (after Oct. 1987)

6Z-82



Description	ID#	Stock#
Hot/Cold Stem	6Z-82H/C	14190B
Seat	None	—
"O" Rings	1	35721B
	41	35755B
	8	35725B
	67	35784B
Complete Repair Kit	—	—

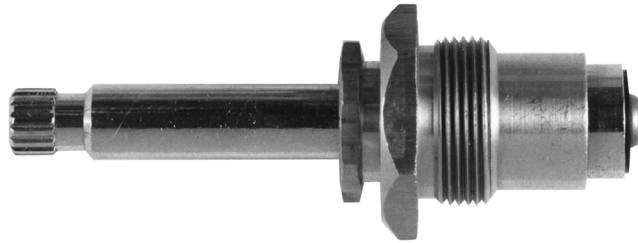


88304

ELJER

SINK All Concealed

7C-5



Description	ID#	Stock#
Hot Stem	7C-5H	
Cold Stem	7C-5C	
Seat	12	30011E
Washer	1/4 Flat	35064B
Gasket	15	35556B
Packing	51	35207B
Stem Screw	4	35141B
Handle Screw	38	35639B
Complete Repair Kit	—	—

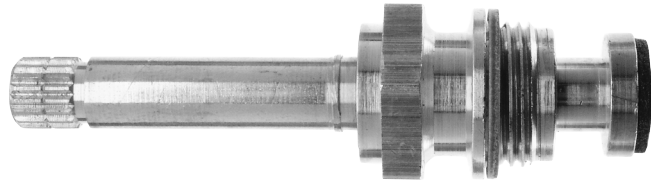


Use Danco Universal Fit Handle

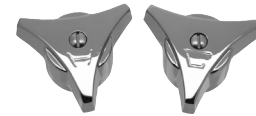
UNION GOPHER

BATH 30, 32, 33, 34, 35

7E-1



Description	ID#	Stock#
Hot Stem	7E-1H	15363B
Cold Stem	7E-1C	15364B
Seat	107	
Washer	1/4 Flat	35064B
"O" Ring	8	35725B
Gaskets	28	35564B
Stem Screw	5	35142B
Handle Screw	51	35652B
Complete Repair Kit	—	—

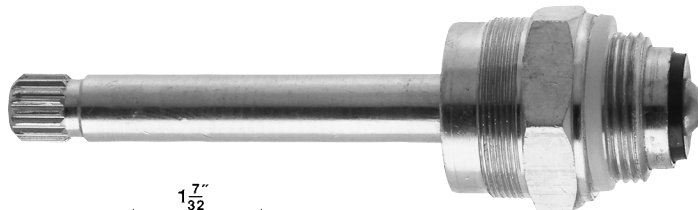


88752

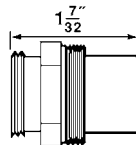
INDIANA BRASS

BATH All Fixtures

7E-5



Description	ID#	Stock#
Hot Stem	7E-5H	15525B
Cold Stem	7E-5C	15526B
Seat	74	30073Z
Washer	1/4M Flat	35074B
"O" Ring	8	35725B
Gaskets	24	35561B
Stem Screw	4	35141B
Handle Screw	53	35654B
Complete Repair Kit	—	—

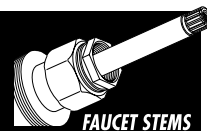


OLD STYLE BONNET
Interchangeable



Use Danco Universal Fit Handle

FAUCET STEMS



PICTURE PERFECT REPLACEMENT FAUCET STEMS FOR...

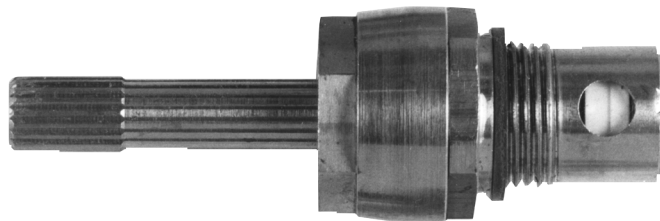
UNION BRASS

BATH 530, 531, 532, 534, 535, 590, 591, 592, 593, 594,
595, 4900, 4920, 4930, 8300, 8320, 8330, 8340

To Convert Standard Faucets to Washerless Operation

BATH 30, 32, 33, 34, 35, 36

7E-4/7



Description	ID#	Stock#
Hot/Cold Stem	7E-7H/C	17441B (with Cap & Seats)
Hot/Cold Stem	7E-4H/C	17287B
Seat	137	
"O" Ring	8	35725B
Gasket	28	35564B
Handle Screws	39	35640B
	53	35654B
Complete Repair Kit	—	

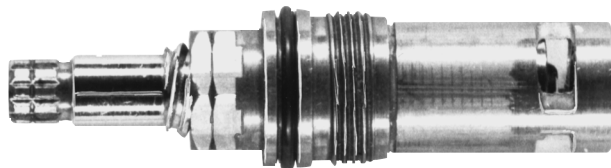


Use Danco Universal Fit Handle

PFISTER

LAVATORY D44, H44

7G-1



Description	ID#	Stock#
Hot Stem	7G-1H	18591B
Cold Stem	7G-1C	18592B
Seat	None	—
"O" Rings	30	35744B
	8	35725B
Handle Screw	75	35665B
Complete Repair Kit	—	

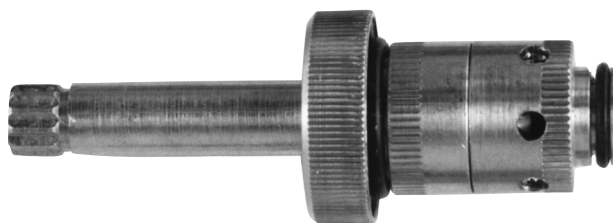


88386

UNIVERSAL RUNDLE

SINK 82700, 05, 10, 15

7I-3



Description	ID#	Stock#
Hot Stem	7I-3H	15573E (with Bonnet)
Cold Stem	7I-3C	15574E (with Bonnet)
Seat	94	
Washer	0 Flat	35063B
Bonnet Cap	464BC	

Description	ID#	Stock#
"O" Rings	8	35725B
	12	35729B
	7	35724B
Stem Screw	17	35154B
Handle Screw	37	
Complete Repair Kit	—	

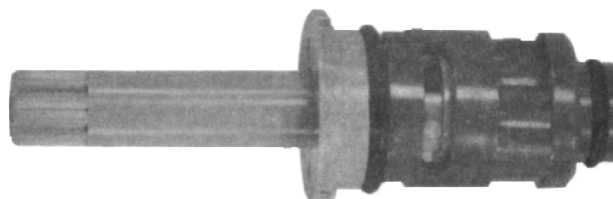


Use Danco Universal Fit Handle

ELKAY

SINK
BATH

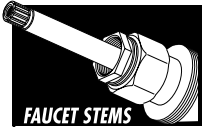
7I-5



Description	ID#	Stock#
Hot Stem	7I-5H	
Cold Stem	7I-5C	
Seat	None	—
"O" Rings	67	35784B
	7	35724B
Handle Screw	77	
Complete Repair Kit	—	



Use Danco Universal Fit Handle



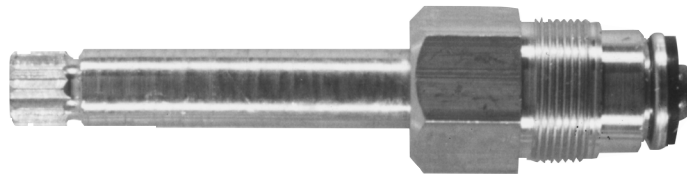
FAUCET STEMS

PICTURE PERFECT REPLACEMENT FAUCET STEMS FOR...

MILWAUKEE

SHOWER 3180, 3182, 3183, 3184

7I-8



Description	ID#	Stock#
Hot/Cold Stem	7I-8H/C	17440B
Seat	86	
Washer	0 Flat	35063B
"O" Ring	7	35724B
Stem Screws	17	35154B
Handle Screw	78	
Complete Repair Kit		—

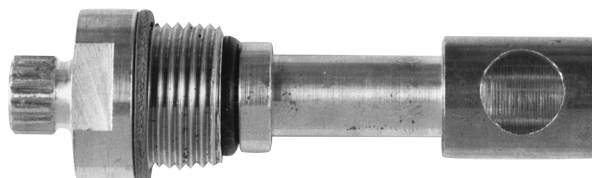


Use Danco Universal Fit Handle

STREAMWAY

BATH 900 Series

7J-1



Description	ID#	Stock#
Diverter Stem	7J-1D	
Seat	None	—
"O" Ring	48	35762B
Gasket	28	35564B
Handle Screw	42	
Complete Repair Kit		—

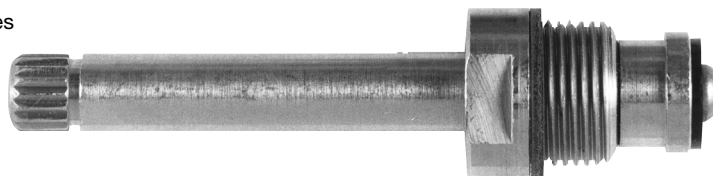


88169

STREAMWAY

BATH 600, 700, 800, 900, 1600, 1700, 1800, 1900 Series

7J-2



Description	ID#	Stock#
Hot/Cold Stem	7J-2H/C	17050B
Seat	117	30116E
Washer	00 Flat	35062B
"O" Ring	72	35785B
Gasket	28	35564B
Stem Screw	4	35141B
Handle Screw	42	
Complete Repair Kit		—

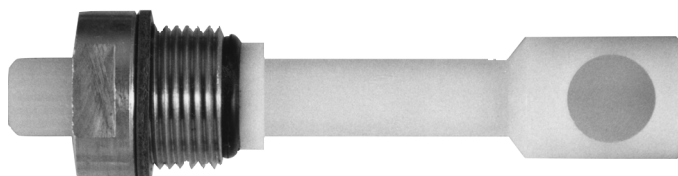


88168

STREAMWAY

BATH 960

7J-3

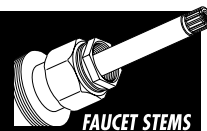


Description	ID#	Stock#
Diverter Stem	7J-3D	17051B
Handle Adapter	None	—
Seat	14	
"O" Ring	72	35785B
Gasket	28	35564B
Stem Screw	4	35141B
Handle Screw	42	
Complete Repair Kit		—



88169

FAUCET STEMS

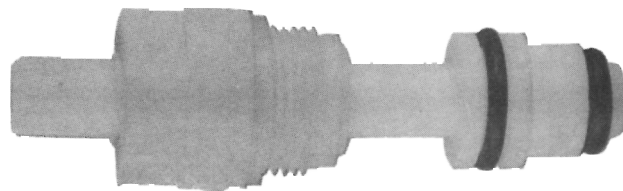


PICTURE PERFECT REPLACEMENT FAUCET STEMS FOR...

MIDCOR

BATH

7J-4



Description	ID#	Stock#
Hot/Cold Stem	7J-4H/C	17431B
Seat	None	—
"O" Rings	54	35768B
	83	35711B
Gasket	41	35576B
Handle Screw	1	—
Complete Repair Kit	—	—

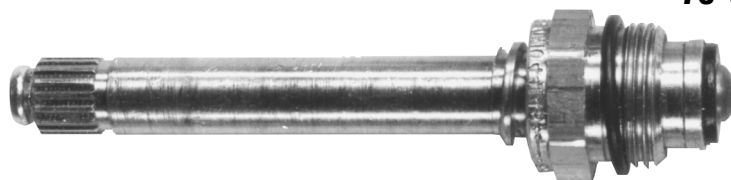


Use Danco Universal Fit Handle

PHOENIX

BATH
SHOWER

7J-5



Description	ID#	Stock#
Hot/Cold Stem	7J-5H/C	17347B
Seat	145	—
Washer	00 Flat	35062B
"O" Rings	9	35726B
	13	35730B
Stem Screws	4	35141B
	31	38816B
Handle Screw	46	35647B
Complete Repair Kit	—	—

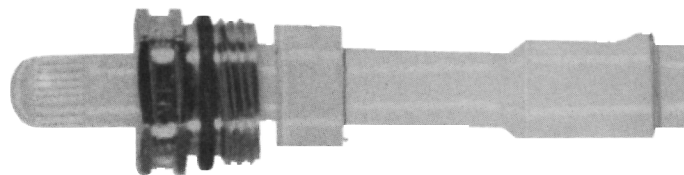


88170

PHOENIX

BATH 601 (Plastic)

7J-6/7



Description	ID#	Stock#
Diverter Stem	7J-6D	—
Diverter Stem	7J-7D	—
Seat	None	—
"O" Ring	72	35785B
Gasket	28	35564B
Stem Screw	4	35141B
Complete Repair Kit	—	—



88171

STREAMWAY

BATH

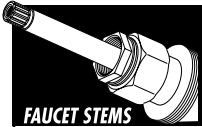
7J-8



Description	ID#	Stock#
Diverter Stem	7J-8D	18585B (stem only)
Seat	None	—
"O" Rings	72	35785B
	53	35767B
Handle Screw	42	35643B
Complete Repair Kit	—	—



88169



FAUCET STEMS

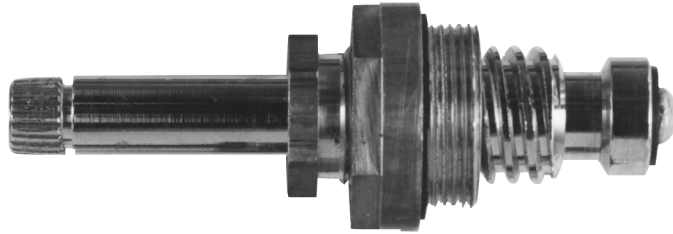
PICTURE PERFECT REPLACEMENT FAUCET STEMS FOR...

AMERICAN STANDARD

SINK B872-74-82-84

7K-1

Description	ID#	Stock#
Hot Stem	7K-1H	
Cold Stem	7K-1C	
Seat	1Z-6	—
Washer	0 Flat	35063B
Gasket	4	35546B
Packing Nut		17831B
Packing	31	35194B
Stem Screw	16	35153B
Handle Screw	45	35646B
Complete Repair Kit		—



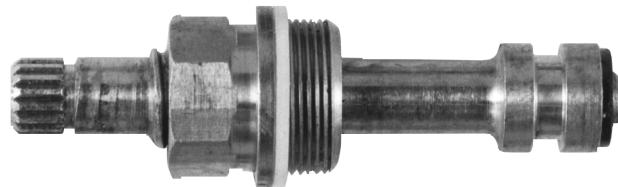
Use Danco Universal Fit Handle

STERLING

SINK 256-10, 256-50 (after Oct. 1965)

7L-5

Description	ID#	Stock#
Hot Stem	7L-5H	
Cold Stem	7L-5C	
Seat	18	30017E
Washer	00 Flat	35062B
"0" Ring	8	35725B
Gasket	35	35570B
Stem Screw	4	35141B
Handle Screw	34	35636B
Complete Repair Kit		—



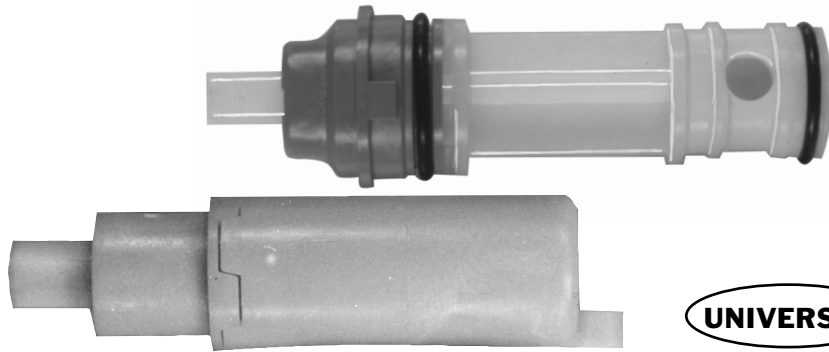
Use Danco Universal Fit Handle

DELTA

BATH 2653, 2683, 2885

7S-4

Description	ID#	Stock#
Diverter Stem	7S-4D	17450B
Extension	7S-4D	18026B
Seat	None	—
"O" Rings	67	35784B
	31	35745B
	54	35768B
Handle Screw	16	35153B
Complete Repair Kit		—



Stem Extension #18026



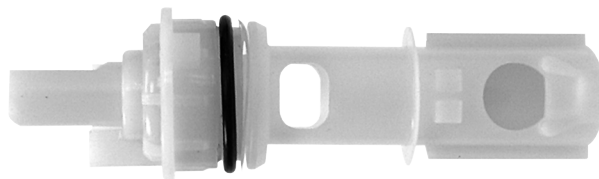
Use Danco Universal Fit Handle

DELTA

BATH (Manufactured after Jan. 1, 1990)

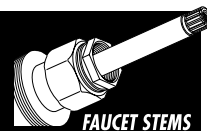
7S-10

Description	ID#	Stock#
Diverter Stem	7S-10D	15607B
Seat	None	—
Extension	7S-4D	18026B
"O" Rings	67	35784B
	31	35745B
Handle Screw	16	35153B
Complete Repair Kit		—



Use Danco Universal Fit Handle

FAUCET STEMS



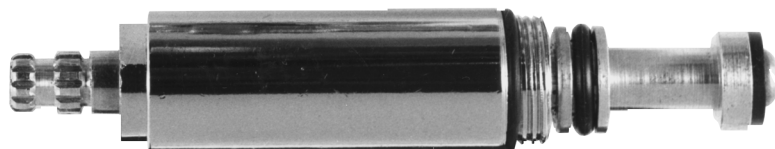
PICTURE PERFECT REPLACEMENT FAUCET STEMS FOR...

MICHIGAN BRASS

BATH 6542-56 Series

8A-1

Description	ID#	Stock#
Hot Stem	8A-1H	15545B
Cold Stem	8A-1C	15546B
Seat	58	
Washer	00 Flat	35062B
"O" Rings	35	35749B
	8	35725B
Stem Screw	4	35141B
Handle Screw	4425	—
Complete Repair Kit		—



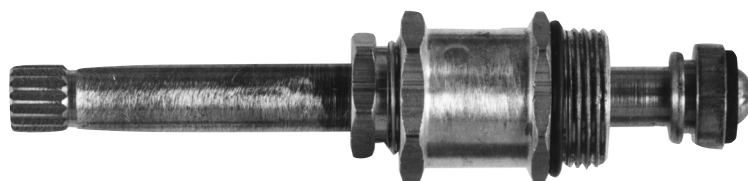
Use Danco Universal Fit Handle

SAYCO

BATH (Mobile Home)

8B-1

Description	ID#	Stock#
Hot/Cold Stem	8B-1H/C	
Seat	113	30112E
Washer	000 Flat	35061B
"O" Ring	40	35754B
Packing	101	35237B
Stem Screw	4	35141B
Handle Screw	5	35142B
Complete Repair Kit		—



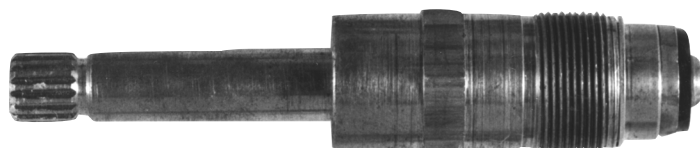
80407

MILWAUKEE

BATH K1116-1, K1186-1, K-2052-1, K-3012-1

8C-1

Description	ID#	Stock#
Hot/Cold Stem	8C-1H/C	
Seat	86	
Washer	1/4 Flat	35064B
"O" Ring	7	35724B
Gasket	48	35583B
Stem Screw	34	38819B
Handle Screw	38	35639B
Complete Repair Kit		—



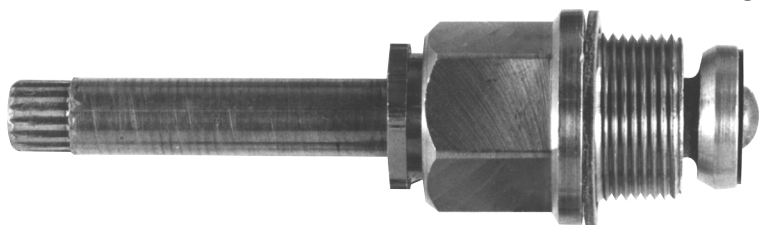
Use Danco Universal Fit Handle

CENTRAL BRASS

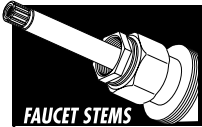
BATH Built in (1/8" adjustment)

8C-6

Description	ID#	Stock#
Hot/Cold Stem	8C-6H/C	15673B
Seat	5	30004E
Washer	3/8L Flat	35068B
Gasket	40	35575B
Packing	95	35231B
Packing Nut	68 PN	
Stem Screw	16	35153B
Handle Screw	56	35657B
Complete Repair Kit		—



88264



FAUCET STEMS

PICTURE PERFECT REPLACEMENT FAUCET STEMS FOR...

ROYAL BRASS

BATH 1052-RH, 1047

8C-8

Description	ID#	Stock#
Hot/Cold Stem	8C-8H/C	17064B
Seat	104	
Washer	0 Flat	35063B
"O" Ring	8	35725B
Gasket	28	35564B
Stem Screw	4	35141B
Handle Screw	38	35639B
Complete Repair Kit	—	



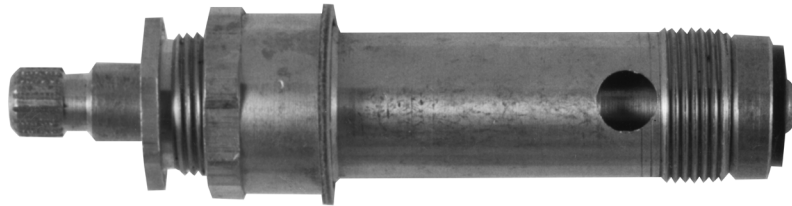
Use Danco Universal Fit Handle

ELJER

BATH E-9482-83

8C-9

Description	ID#	Stock#
Diverter Stem	8C-9D	17061B
Seat	12	30011E
Washer	3/8 Flat	35066B
Gasket	35	35570B
Packing	51	35207B
Stem Screw	4	35141B
Handle Screw	39	35640B
Complete Repair Kit	—	



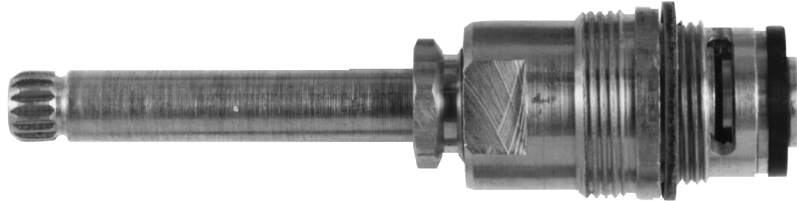
Use Danco Universal Fit Handle

SAVOY

All Baths Since Jan., 1974

8F-1

Description	ID#	Stock#
Hot/Cold Stem	8F-1H/C	17238B
Seat	78	
Washer	1/4 Flat	35064B
"O" Ring	9	35726B
Gasket	7	35549B
Stem Screw	16	35153B
Handle Screw	53	35654B
Complete Repair Kit	—	



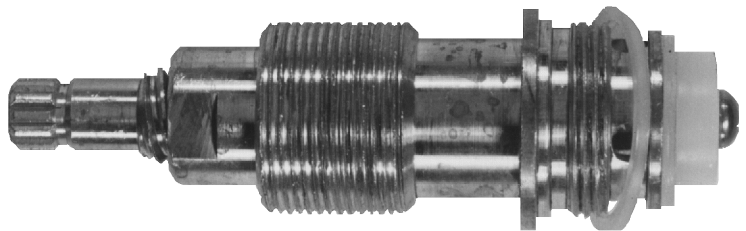
Use Danco Universal Fit Handle

PFISTER

BATH

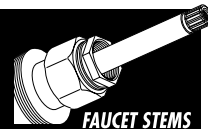
8G-1

Description	ID#	Stock#
Diverter Stem	8G-1D	18532B
Seat	38	30037B
Diverter Washer	16	35692B
"O" Ring	8	35725B
Gasket	22	35560B
Stem Screws	16	35153B
Handle Screw	16	35153B
Complete Repair Kit	—	



88387

FAUCET STEMS



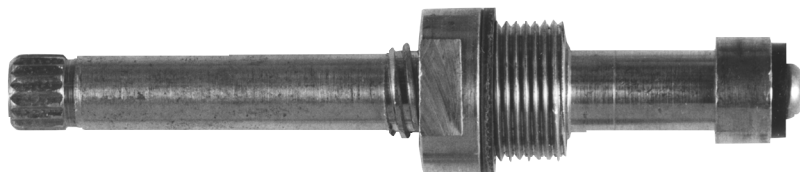
PICTURE PERFECT REPLACEMENT FAUCET STEMS FOR...

AMERICAN BRASS

BATH 2800 (New Style)

8J-2

Description	ID#	Stock#
Hot Stem	8J-2H	17065B
Cold Stem	8J-2C	17066B
Seat	52	30051E
Washer	00 Flat	35062B
"O" Ring	8	35725B
Gasket	28	35564B
Stem Screw	4	35141B
Handle Screw	55	
Complete Repair Kit		—



UNIVERSAL

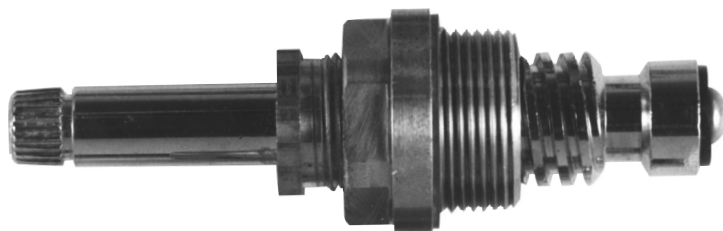
Use Danco Universal Fit Handle

AMERICAN STANDARD

SINK B-912-S
LAVATORY F-105-115

8K-3

Description	ID#	Stock#
Hot/Cold Stem	8K-3H/C	15048B
Seat	1Z-6	—
Washer	0 Flat	35063B
Gasket	4	35546B
Packing	31	35194B
Packing Nut	34 PN	
Stem Screw	16	35153B
Handle Screw	45	35646B
Complete Repair Kit		—



UNIVERSAL

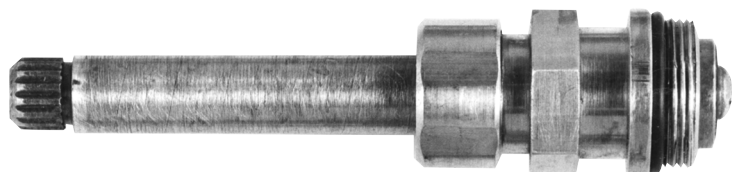
Use Danco Universal Fit Handle

STERLING

BATH 104, 144, 124, 134 Series

8L-1

Description	ID#	Stock#
Hot/Cold Stem	8L-1H/C	17315B
Seat	18	30017E
Washer	00 Flat	35062B
"O" Ring	30	35744B
Packing	68	35218B
Stem Screws	4	35141B
Handle Screws	34	35636B
	57	35658B
Complete Repair Kit		—



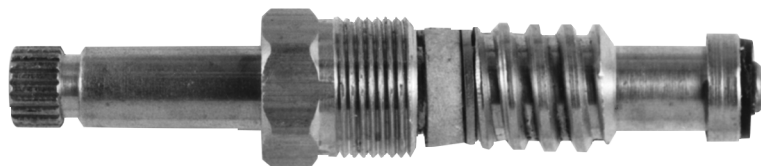
88509

SPEAKMAN

BATH SK-500 Series

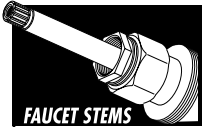
8P-1/2

Description	ID#	Stock#
Hot/Cold Stem	8P-1H/C	15566B
Hot/Cold Stem	8P-2H/C	15565B (stem only)
Seat	21	
Washer	00 Flat	35062B
Packing	68	35218B
Stem Screw	16	35153B
Handle Screw	38	35639B
Complete Repair Kit		—



UNIVERSAL

Use Danco Universal Fit Handle



FAUCET STEMS

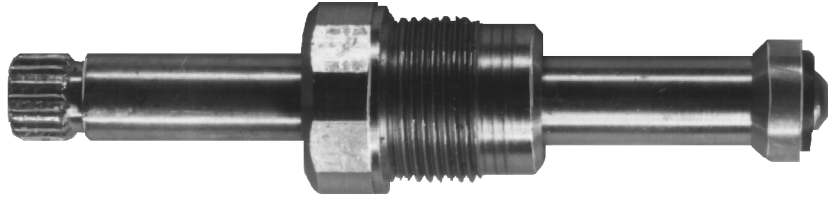
PICTURE PERFECT REPLACEMENT FAUCET STEMS FOR...

SPEAKMAN

SHOWER Kent SK-500

8P-3

Description	ID#	Stock#
Hot/Cold Stem	8P-3H/C	17088B
Seat	21	
Washer	00 Flat	35062B
Gasket	35	35570B
Packing	68	35218B
Stem Screws	16	35153B
Handle Screw	42	35643B
Complete Repair Kit	—	



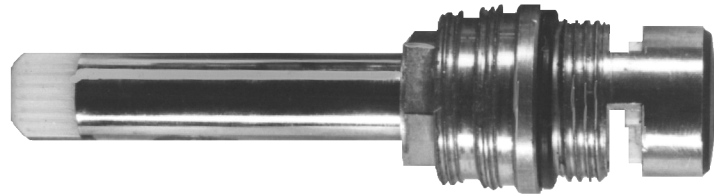
Use Danco Universal Fit Handle

SPEAKMAN

BATH Commander

8P-4

Description	ID#	Stock#
Hot Stem	8P-4H	
Cold Stem	8P-4C	
Seat	175	
"O" Rings	30	35744B
	5	35772B
Gasket	30	35744B
Handle Screws	4	35141B
	48	35649B
Complete Repair Kit	89022*	



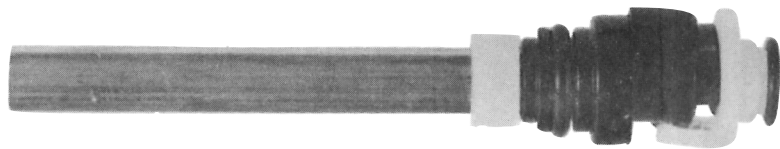
Use Danco Universal Fit Handle

STERLING (ROCKWELL)

BATH 031 Series, 032 Series, 033 Series

8S-1/3

Description	ID#	Stock#
Hot/Cold Stem	8S-1H/C	17327B
Hot/Cold Stem	8S-3H/C	17456B (with Bonnet)
Seat	Included	—
"O" Rings	67	35784B
	8	35725B
	6	35723B
Handle Screw	43	35644B
Complete Repair Kit	—	



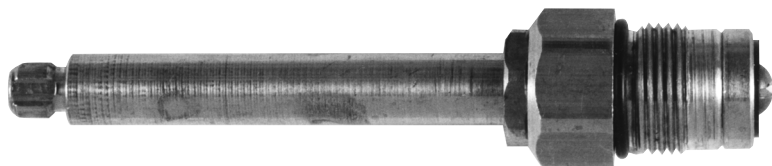
14884

SPEAKMAN

BATH SL-200 to SL-264

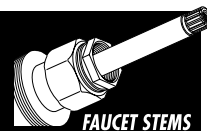
8Z-6

Description	ID#	Stock#
Hot/Cold Stem	8Z-6H/C	17332B
Seat	None	—
Washer	00 Flat	35062B
"O" Ring	54	35768B
Stem Screw	17	35154B
Handle Screw	48	35649B
Complete Repair Kit	—	



Use Danco Universal Fit Handle

FAUCET STEMS



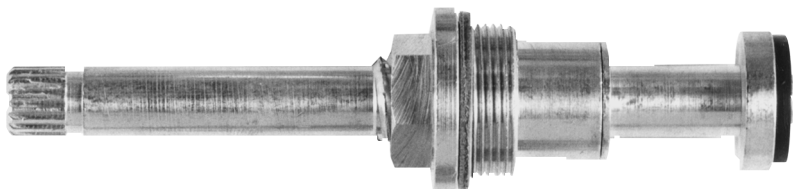
PICTURE PERFECT REPLACEMENT FAUCET STEMS FOR...

BRIGGS

BATH T-8109

8Z-8

Description	ID#	Stock#
Hot Stem	8Z-8H	15747B
Cold Stem	8Z-8C	17218B
Seat	10	30009E
Washer	3/8L Flat	35068B
"O" Ring	8	35725B
Gaskets	35	35570B
Stem Screw	13	35150B
Handle Screw	55	35656B
Complete Repair Kit	—	



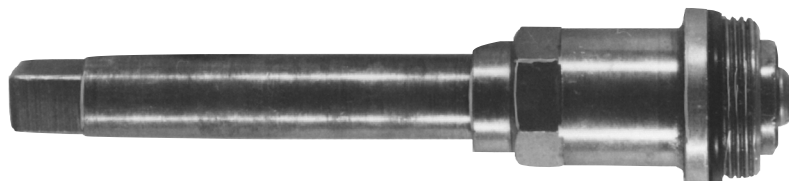
Use Danco Universal Fit Handle

STERLING

BATH Series 135

8Z-10

Description	ID#	Stock#
Hot/Cold Stem	8Z-10H/C	
Handle Adapter	None	—
Seat	18	30017E
Washer	00 Flat	35062B
"O" Rings	30	35744B
	6	35723B
Stem Screws	4	35141B
	31	38816B
Handle Screw	43	35644B
Complete Repair Kit	—	



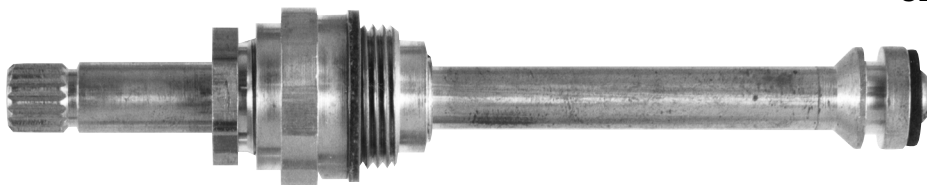
14884

SAYCO

LAVATORY 212-212A

9B-1

Description	ID#	Stock#
Hot/Cold Stem	9B-1H/C	
Seat	27	30026E
Washer	000 Flat	35061B
Gasket	28	35564B
Packing	50	35206B
Stem Screw	4	35141B
Handle Screw	4	35141B
Complete Repair Kit	—	



88084

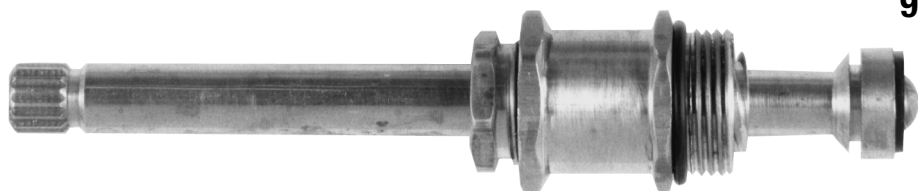
SAYCO

BATH 308, T-308 (From 1968)

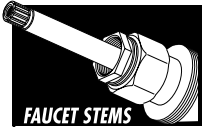
9B-3

Description	ID#	Stock#
Hot Stem	9B-3H	15884B
Cold Stem	9B-3C	17093B
Seat	113	30112E
Washer	000 Flat	35061B

Description	ID#	Stock#
"O" Ring	40	35754B
Packing	101	35237B
Stem Screw	4	35141B
Handle Screw	5	35142B
Complete Repair Kit	124176	



88084



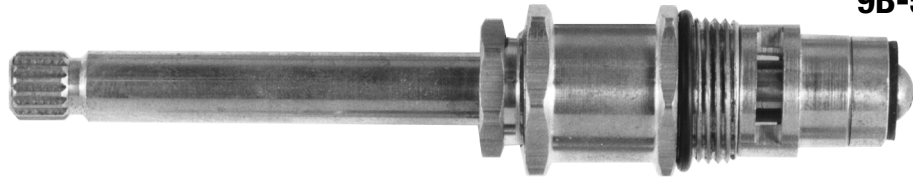
FAUCET STEMS

PICTURE PERFECT REPLACEMENT FAUCET STEMS FOR...

SAYCO

BATH 308, T-308 (From 1968)

9B-5



Description	ID#	Stock#
Diverter Stem	9B-5D	15886B
Seat	None	—
Washer	00 Flat	35062B
Diverter Washer	18	35694B
"O" Rings	40	35754B
	7	35724B

Description	ID#	Stock#
Packing	101	35237B
Stem Screw	4	35141B
Handle Screw	5	35142B
Complete Repair Kit	—	

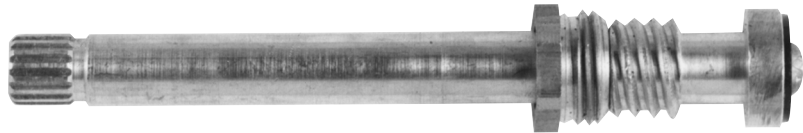


88083

ELJER

BATH E9090, E9091, E9093, E9094, E9096, E9098

9C-1



Description	ID#	Stock#
Hot/Cold Stem	9C-1H/C	17254B
Seat	70	30069E
Washer	1/4 Flat	35064B
Gasket	28	35564B
Packing	50	35206B
Stem Screw	4	35141B
Handle Screw	38	35639B
Complete Repair Kit	—	

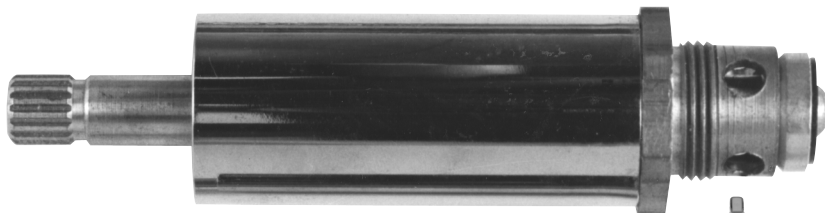


Use Danco Universal Fit Handle

ELJER

BATH E 9093, 94

9C-3



Description	ID#	Stock#
Diverter Stem	9C-3D	17256B
Seat	70	30069E
Washer	1/4 Flat	35064B
Diverter Washer	21	35697B
Gasket	28	35564B
Packing	50	35206B
Stem Screw	4	35141B
Handle Screw	38	35639B
Complete Repair Kit	—	

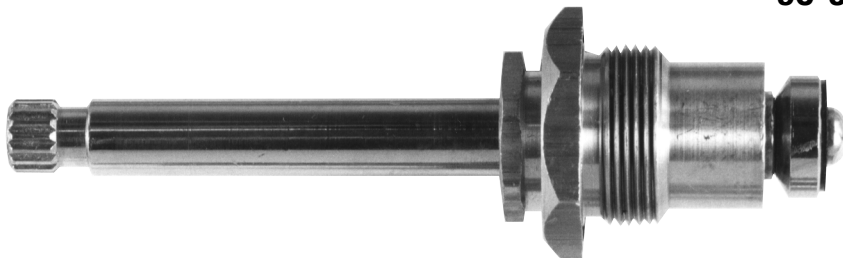


46524

ELJER

BATH E9480-R

9C-5

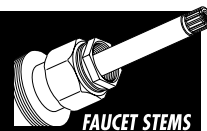


Description	ID#	Stock#
Hot/Cold Stem	9C-5H/C	15134B
Seat	13	
Washer	1/4 Flat	35064B
Gasket	15	35566B
Packing	51	35207B
Stem Screw	16	35153B
Handle Screw	45	35646B
Complete Repair Kit	—	



Use Danco Universal Fit Handle

FAUCET STEMS



PICTURE PERFECT REPLACEMENT FAUCET STEMS FOR...

KOHLER

BATH K10606, K10612, K10616, K10620

9C-7

Description	ID#	Stock#
Hot Stem	9C-7H	15809B
Cold Stem	9C-7C	15810B
Seat	93	30092E
Washer	00 Flat	35062B
"O" Ring	8	35725B
Gasket	35	35570B
Stem Screw	4	35141B
Handle Screw	48	35649B
Complete Repair Kit	—	



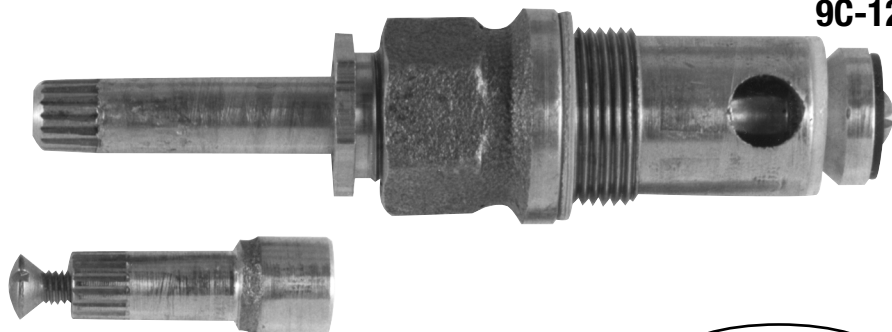
88768

CENTRAL BRASS

BATH Built in (1/16" Adjustment)

9C-12

Description	ID#	Stock#
Diverter Stem	9C-12D	
Seat	72	
Washer	3/8M Flat	35067B
Diverter Washer	9	35686B
Gasket	2	35544B
Packing	95	35231B
Stem Screw	16	35153B
Handle Screw	56	35657B
Complete Repair Kit	—	



Use Danco Universal Fit Handle

MILWAUKEE / UNIVERSAL RUNDLE

BATH K-1120, K-1188, K-2056, K-3016

9C-14

Description	ID#	Stock#
Hot/Cold Stem	9C-14H/C	15684B
Seat	86	
Washer	1/4 Flat	35064B
"O" Ring	7	35724B
Gasket	48	35583B
Stem Screw	26	35162B
Handle Screw	38	35639B
Complete Repair Kit	—	



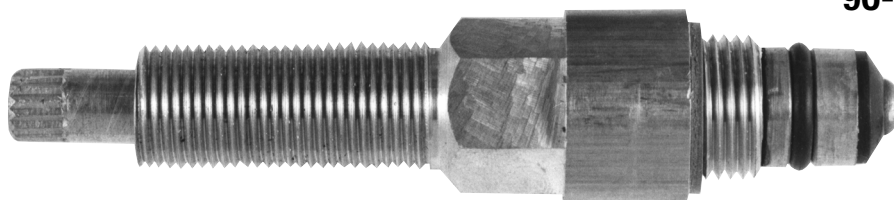
Use Danco Universal Fit Handle

BURLINGTON BRASS

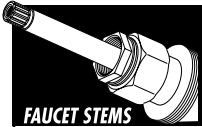
BATH 6200 Series

9C-15

Description	ID#	Stock#
Hot/Cold Stem	9C-15H/C	15755B
Seat	24	30023E
Washer	1/4 Flat	35064B
"O" Ring	9	35726B
Gasket	28	35564B
Stem Screw	16	35153B
Handle Screw	38	35639B
Complete Repair Kit	—	



Use Danco Universal Fit Handle



FAUCET STEMS

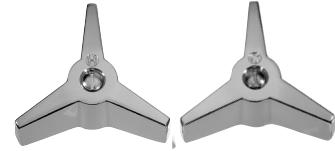
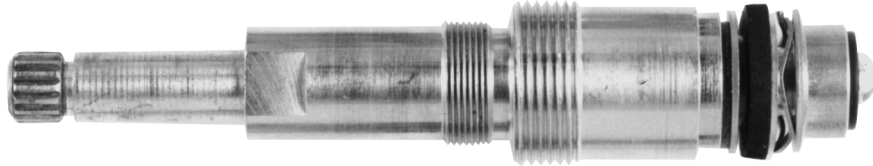
PICTURE PERFECT REPLACEMENT FAUCET STEMS FOR...

AMERICAN STANDARD

BATH C-101 to C-333 (*Colony Line*)

9C-23

Description	ID#	Stock#
Hot/Cold Stem	9C-23H/C	15700B
Seat	44	30043E
Washer	0 Flat	35063B
Wave Washer		35639B
Packing	92	35228B
Stem Screw	4	35141B
Handle Screw	4	35141B
Complete Repair Kit		124104



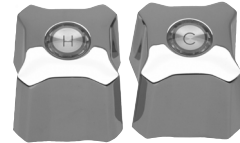
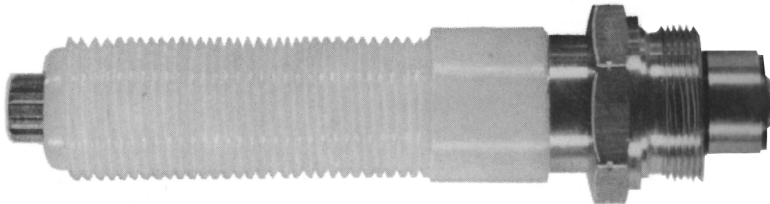
88432

KOHLER

BATH (*Trend*)

9C-26

Description	ID#	Stock#
Hot/Cold Stem	9C-26H/C	17491B
Seat	93	30092E
Washer	00 Flat	35062B
"0" Rings	8	35725B
	67	35784B
Gaskets	35	35570B
Stem Screws	4	35141B
	31	38816B
Handle Screw	48	35649B
Complete Repair Kit		—



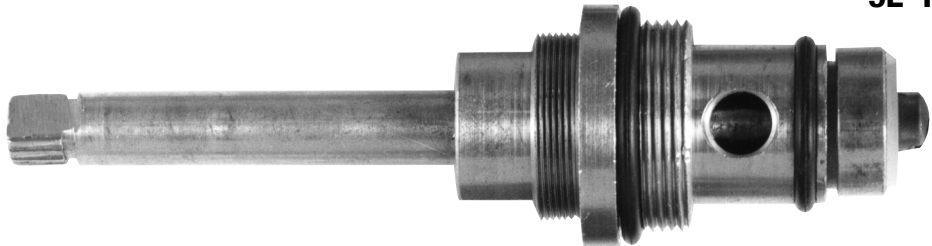
88768

INDIANA BRASS

BATH 582-IP, 596-DC-INS

9E-1

Description	ID#	Stock#
Diverter Stem	9E-1D	15679B
Seat	48	30047E
Washer	3/8L Flat	35068B
"0" Rings	20	35737B
	13	35730B
	31	35745B
Stem Screw	18	35155B
Handle Screw	53	35654B
Complete Repair Kit		—



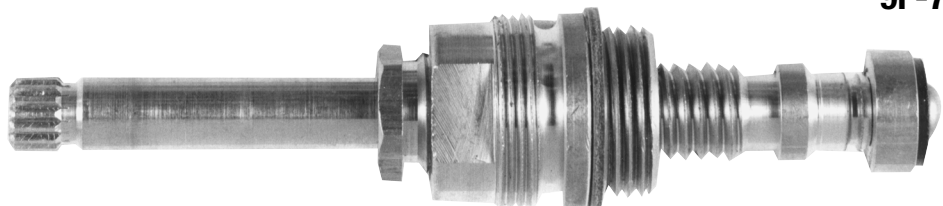
Use Danco Universal Fit Handle

SAVOY

BATH 1301 to 1351

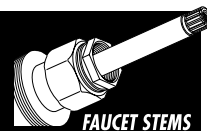
9F-7

Description	ID#	Stock#
Hot/Cold Stem	9F-7H/C	17091B
Seat	41	
Washer	3/8 Flat	35066B
Gasket	7	35549B
Packing	50	35206B
Stem Screw	16	35153B
Handle Screw	53	35654B
Complete Repair Kit		—



Use Danco Universal Fit Handle

FAUCET STEMS

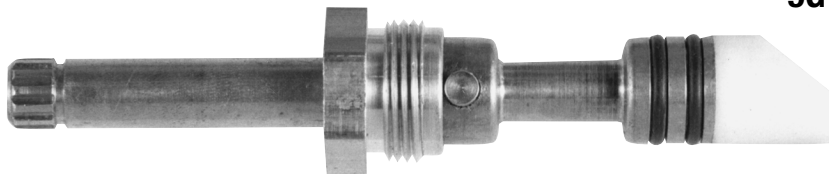


PICTURE PERFECT REPLACEMENT FAUCET STEMS FOR...

HARCRAFT

BATH 20-100 to 20-404, 20-1008 to 20-4048

9G-1



Description	ID#	Stock#
Diverter Stem	9G-1D	17079B
Seat	None	—
"O" Ring	41	35755B
Handle Screw	17	35154B
Complete Repair Kit	—	—

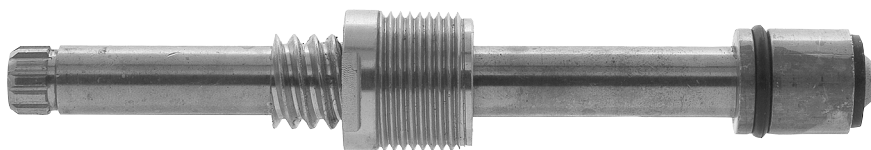


10350

HARCRAFT

BATH 20-100 to 20-404, 20-1008 to 20-4048

9G-2



Description	ID#	Stock#
Hot/Cold Stem	9G-2H/C	15681B
Seat	65	30064E
Washer	00 Flat	35062B
"O" Rings	8	35725B
	41	35755B
Gasket	39	35574B
Stem Screw	16	35153B
Handle Screw	17	35154B
Complete Repair Kit	—	—

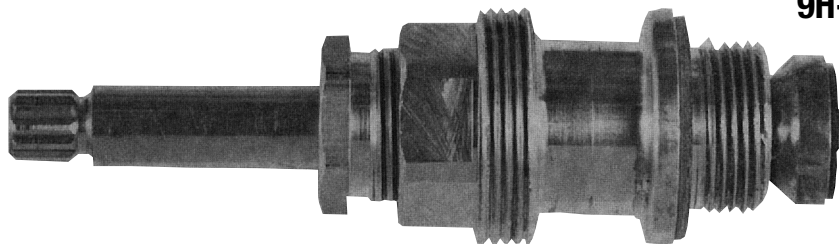


88737

PFISTER

BATH 10 & 12 D.L.H. Series (*Crown Imperial*)

9H-1



Description	ID#	Stock#
Hot Stem	9H-1H	15298B
Cold Stem	9H-1C	10349B
Seat	38	30037B
Washer	3/8L Flat	35068B
Gasket	44	35579B
Packing	44	35200B
Stem Screw	16	35153B
Handle Screw	45	35646B
Complete Repair Kit	—	124162

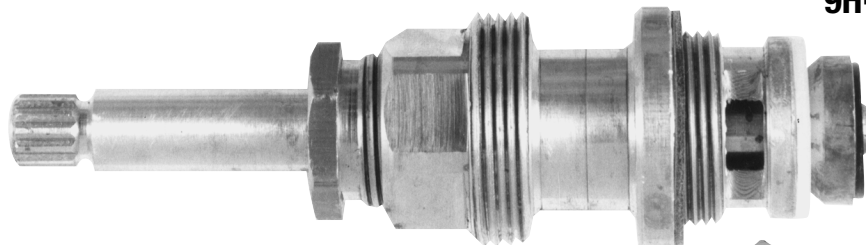


80457

PFISTER

BATH 10 & 12 D.L.H. Series (*Crown Imperial*)

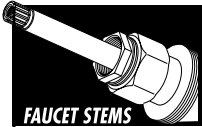
9H-3



Description	ID#	Stock#
Diverter Stem	9H-3D	15300B
Seat	38	30037B
Washer	3/8L Flat	35068B
Diverter Washer	16	35692B
Gasket	22	35560B
Packing	44	35200B
Stem Screw	16	35153B
Handle Screw	16	35153B
Complete Repair Kit	—	124166



88085



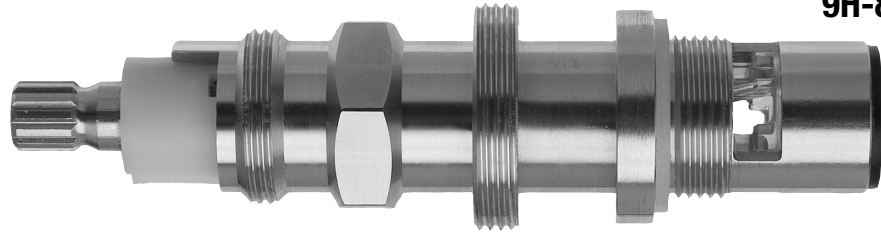
FAUCET STEMS

PICTURE PERFECT REPLACEMENT FAUCET STEMS FOR...

PFISTER

CERAMIC DISC
BATH Series 01 (*Verve & Windsor*)

9H-8



Description	ID#	Stock#
Hot/Cold Stem	9H-8H/C	05850B
Seat	None	—
Handle Screw	38	35639B
Bottom Seal		89045
Complete Repair Kit		—



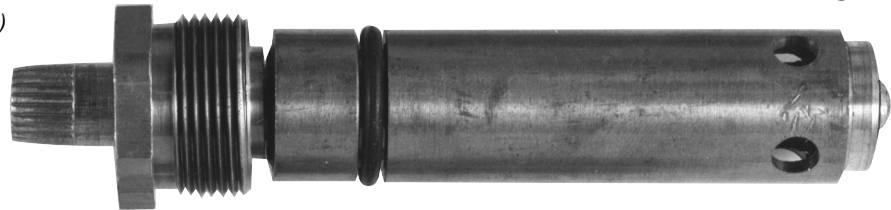
88990

88991

AMERICAN STANDARD

BATH N1010 to N1512 (*Heritage + Monogram*)
R1010 to R1502 (*Quality + Monogram*)
C105-1 to C332-1 (*Colony*)

9K-2



Description	ID#	Stock#
Diverter Stem	9K-2D	15822B
Seat	54	30053E
Washer	0 Flat	35063B
"O" Rings	9	35726B
	12	35729B
Stem Screw	4	35141B
Handle Screw	53	35654B
Complete Repair Kit		—

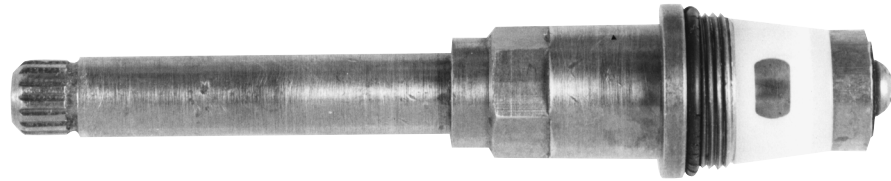


88079

STERLING

BATH 104 Series

9L-1



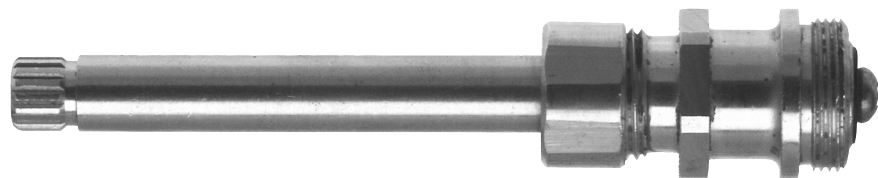
Description	ID#	Stock#
Diverter Stem	9L-1D	17316B
Seat	18	30017E
Washer	00 Flat	35062B
"O" Rings	30	35744B
	6	35723B
Stem Screws	4	35141B
	31	38816B
Handle Screw	34	35636B
Complete Repair Kit		—



86993

STERLING

9L-8

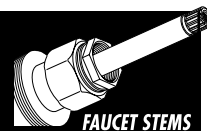


Description	ID#	Stock#
Hot/Cold Stem	9L-8H/C	16933B
Seat	18	30017E
Washer	1/4M	35074B
"O" Ring	13	35730B
Stem Screw	4	35141B
Handle Screw	34	35636B
Complete Repair Kit		—



Use Danco Universal Fit Handle

FAUCET STEMS



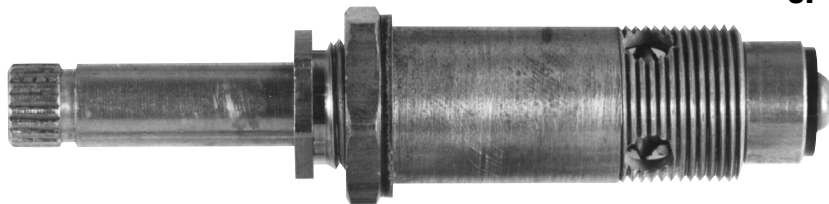
PICTURE PERFECT REPLACEMENT FAUCET STEMS FOR...

SPEAKMAN

BATH SK-510-15 Series (1960)

9P-1

Description	ID#	Stock#
Diverter Stem	9P-1D	15568B
Seat	None	—
Washer	00 Flat	35062B
Gasket (<i>Nylon</i>)	43	35578B
Gaskets	35	35570B
	22	35560B
Packing	68	35218B
Stem Screw	16	35153B
Handle Screw	38	35639B
Complete Repair Kit	—	—



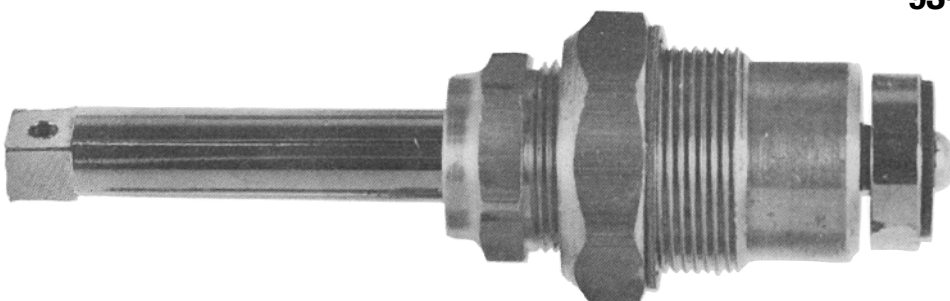
Use Danco Universal Fit Handle

SPEAKMAN

BATH (*Old Style*) Concealed

9S-1

Description	ID#	Stock#
Hot/Cold Stem	9S-1H/C	15222B
Handle Adapter	None	—
Seat	22	—
Washer	5/8 Flat	35071B
Gasket	21	35559B
Packing	66	35216B
Stem Screw	4	35141B
Complete Repair Kit	—	—



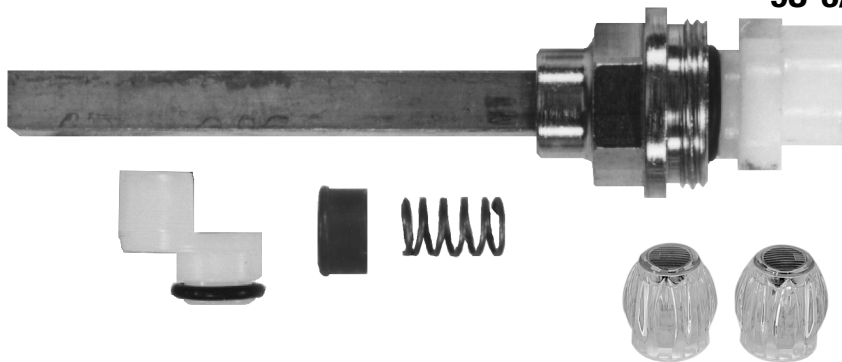
Use Danco Universal Fit Handle

STERLING (ROCKWELL)

BATH 031 Series, 032 Series, 033 Series

9S-3/4

Description	ID#	Stock#
Hot/Cold Stem	9S-3H/C	17468B (<i>stem only</i>)
Hot/Cold Stem	9S-4H/C	17469B
Handle Adapter	None	—
Seat	Included	—
"O" Rings	67	35784B
	6	35723B
	8	35725B
Handle Screw	43	35644B
Complete Repair Kit	—	—



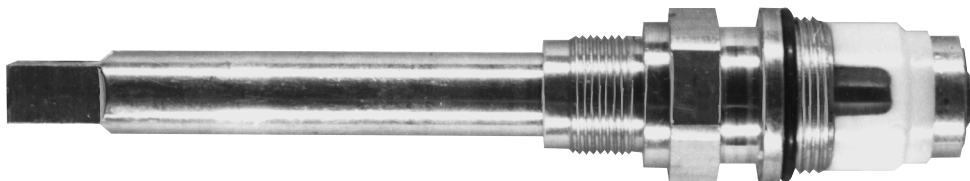
14884

STERLING

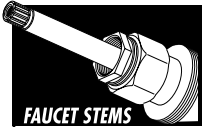
BATH Series 030 (Prior to Oct. 1989)

9S-5

Description	ID#	Stock#
Diverter Stem	9S-5D	18606B
Handle Adapter	None	—
Seat	18	30017E
Washer	00 Flat	35062B
"O" Rings	67	35784B
	6	35723B
Stem Screw	4	35141B
Handle Screw	56	35657B
Complete Repair Kit	—	—



Use Danco Universal Fit Handle



FAUCET STEMS

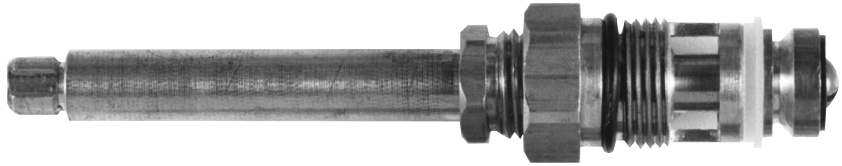
PICTURE PERFECT REPLACEMENT FAUCET STEMS FOR...

SPEAKMAN

BATH SL-200 to SL-264

9Z-5

Description	ID#	Stock#
Diverter Stem	9Z-5D	17329B
Handle Adapter	None	—
Seat	21	—
Washer	00 Flat	35062B
Diverter Washer	29	35591B
"O" Ring	54	35768B
Packing	99	35235B
Stem Screw	17	35154B
Handle Screw	48	35649B
Complete Repair Kit	—	—



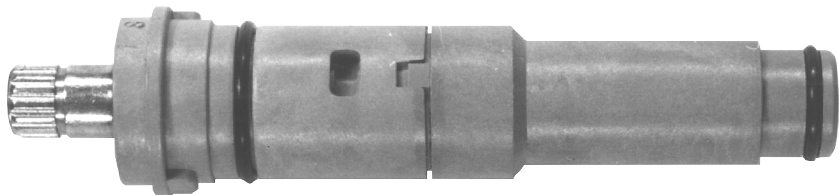
Use Danco Universal Fit Handle

WOLVERINE BRASS

WIDESPREAD LAVATORY *Encore*
BATH *Encore and Finale*

9Z-8

Description	ID#	Stock#
Hot Stem	9Z-8H	17485B
Cold Stem	9Z-8C	17486B
Handle Adapter	None	—
Seat	None	—
"O" Rings	6	35723B
	67	35784B
	41	35755B
Handle Screw	48	35649B
Complete Repair Kit	—	—



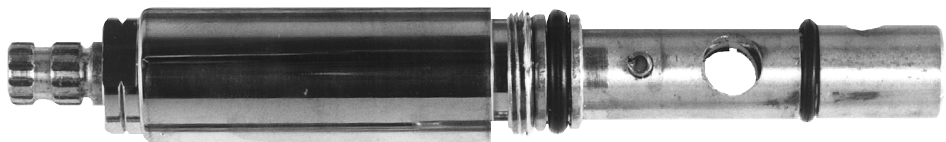
Use Danco Universal Fit Handle

MICHIGAN BRASS

BATH 6542-56 Series

10A-1

Description	ID#	Stock#
Diverter Stem	10A-1D	15623B
Seat	None	—
"O" Rings	7	35724B
	9	35726B
Handle Screw	4425	—
Complete Repair Kit	—	—



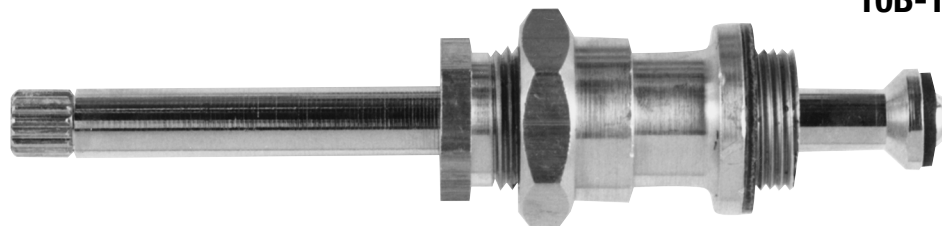
Use Danco Universal Fit Handle

SAYCO

BATH 208, 208D, 308 (from 1955)

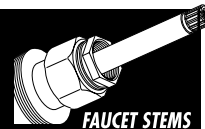
10B-1

Description	ID#	Stock#
Hot/Cold Stem	10B-1H/C	15386B
Seat	27	30026E
Washer	000 Flat	35061B
Gasket	1	35543B
Packing	95	35231B
Stem Screw	16	35153B
Handle Screw	4	35141B
Complete Repair Kit	—	124176



88746

FAUCET STEMS



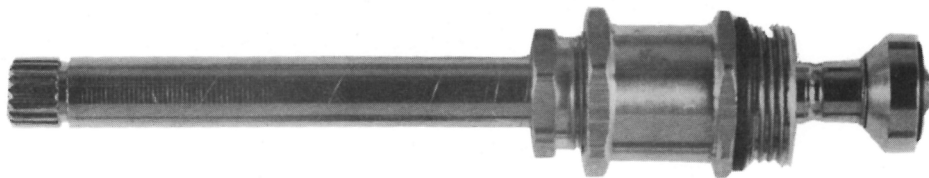
PICTURE PERFECT REPLACEMENT FAUCET STEMS FOR...

SAYCO

BATH *Old Style* (Prior to 1955)

10B-3

Description	ID#	Stock#
Hot/Cold Stem	10B-3H/C	15586B
Seat	27	30026E
Washer	00 Flat	35062B
"O" Ring	40	35754B
Packing	101	35237B
Stem Screw	4	35141B
Handle Screw	5	35142B
Complete Repair Kit	—	



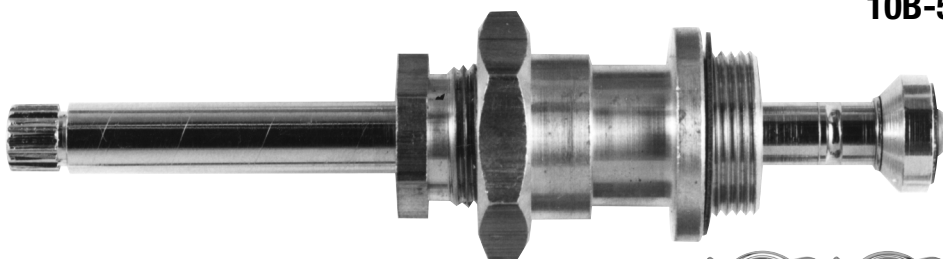
88746

SAYCO

BATH *Old Style* (Prior to 1950)

10B-5

Description	ID#	Stock#
Hot/Cold Stem	10B-5H/C	15588B
Seat	27	30026E
Washer	1/4M Flat	35074B
"O" Ring	40	35754B
Gasket	26	35562B
Packing	95	35231B
Stem Screw	16	35153B
Handle Screw	5	35142B
Complete Repair Kit	—	



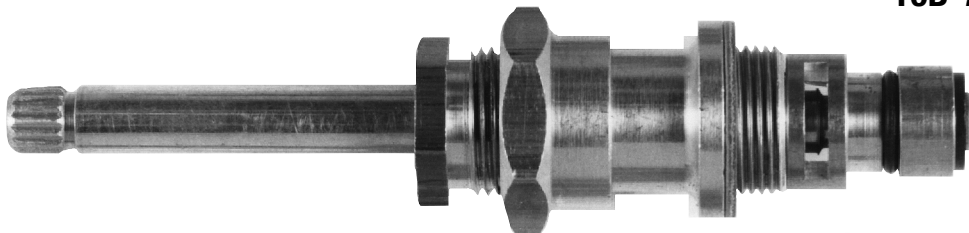
88746

SAYCO

BATH 308 Series (From 1955)

10B-7

Description	ID#	Stock#
Diverter Stem	10B-7D	15590B
Seat	27	30026E
Washer	00 Flat	35062B
Gasket	1	35543B
Packing	95	35231B
Stem Screw	4	35141B
Handle Screw	5	35142B
Complete Repair Kit	124176	



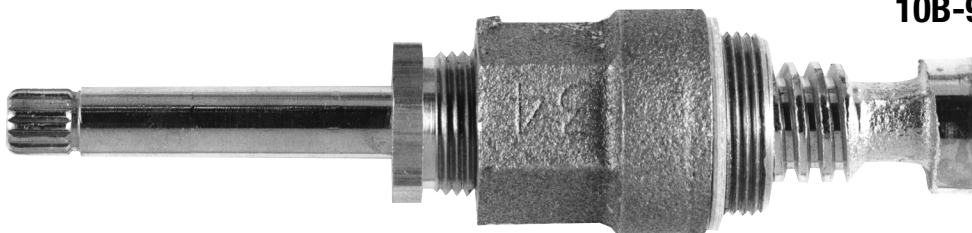
88751

GERBER

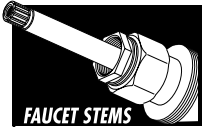
BATH *Old Style* (Prior to 1945)

10B-9

Description	ID#	Stock#
Hot/Cold Stem	10B-9H/C	15791B
Seat	75	
Washer	1/4L Flat	35065B
Gasket	2	35544B
Packing	51	35207B
Packing Nut	264 PN	17835B
Stem Screw	17	35154B
Handle Screw	38	35639B
Complete Repair Kit	—	



Use Danco Universal Fit Handle



FAUCET STEMS

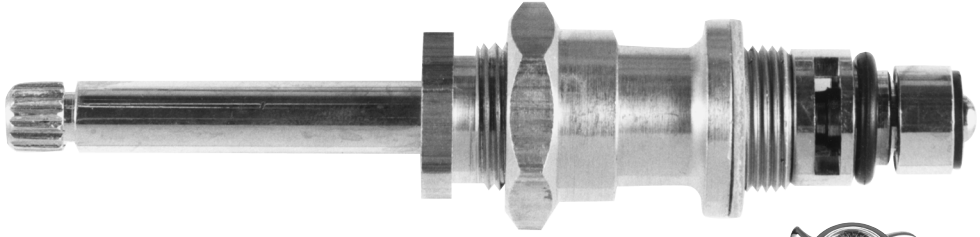
PICTURE PERFECT REPLACEMENT FAUCET STEMS FOR...

SAYCO

BATH O.S. (Prior to 1955)

10B-11

Description	ID#	Stock#
Diverter Stem	10B-11D	17114B
Seat	27	30026E
Washer	00 Flat	35062B
Gasket	1	35543B
Packing	95	35231C
Stem Screw	4	35141B
Handle Screw	5	35142B
Complete Repair Kit	—	



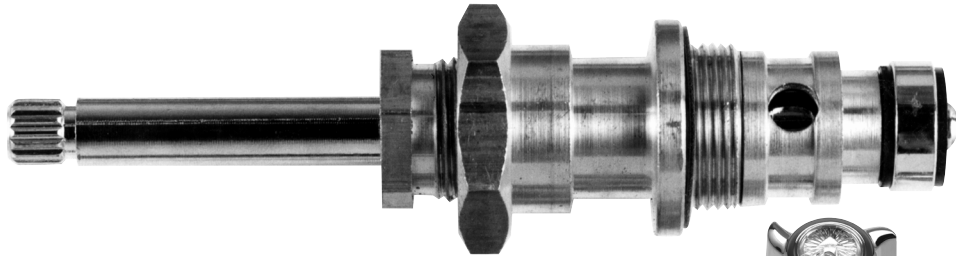
88751

SAYCO

BATH L.O.S. (Prior to 1950)

10B-15

Description	ID#	Stock#
Diverter Stem	10B-15D	15690B
Seat	27	30026E
Washer	1/4L Flat	35065B
Diverter Washer	22	35698B
Gasket	26	35562B
Packing	95	35231C
Stem Screw	4	35141B
Handle Screw	5	35142B
Complete Repair Kit	—	



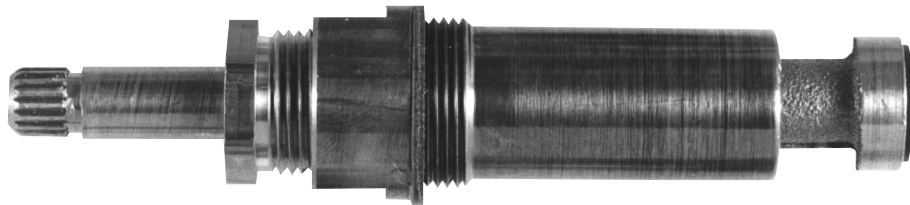
88751

GERBER

LAVATORY 43-050, 43-070

10B-17

Description	ID#	Stock#
Hot/Cold Stem	10B-17H/C	17120B
Seat	75	
Washer	1/4 Flat	35064B
Gasket	7	35549B
Packing	51	35207B
Stem Screw	16	35153B
Handle Screw	38	35639B
Complete Repair Kit	—	



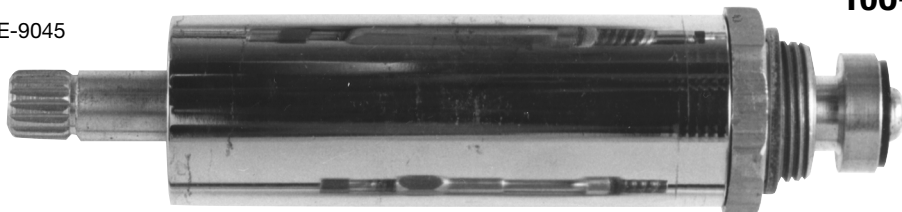
Use Danco Universal Fit Handle

ELJER

BATH E-9030-31, E-9035, E-9036, E-9040, E-9045

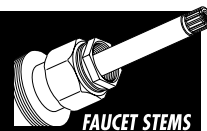
10C-5

Description	ID#	Stock#
Hot Stem	10C-5H	15693B
Cold Stem	10C-5C	15694B
Seat	70	30069E
Washer	1/4 Flat	35064B
Gasket	28	35564B
Packing	50	35206B
Stem Screw	4	35141B
Handle Screws	38	35639B
	45	35646B
Complete Repair Kit	—	



46504

FAUCET STEMS



PICTURE PERFECT REPLACEMENT FAUCET STEMS FOR...

ELJER

BATH E9035-36

10C-7

Description	ID#	Stock#
Diverter Stem	10C-7D	15789B
Seat	70	30069E
Washer	1/4 Flat	35064B
Diverter Washer	21	35697B
Gasket	28	35564B
Packing	50	35206B
Stem Screw	4	35141B
Handle Screws	38	35639B
	45	35646B
Complete Repair Kit		—



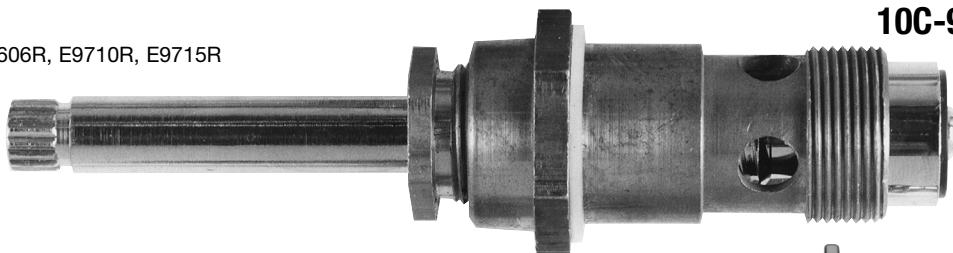
46524

ELJER

BATH E9425R to E9499R, E9600R to E9606R, E9710R, E9715R

10C-9

Description	ID#	Stock#
Diverter Stem	10C-9D	
Seat	13	
Washer	3/8 Flat	35066B
Gasket	42	35577B
Packing	51	35207B
Stem Screw	4	35141B
Handle Screws	38	35639B
	45	35646B
Complete Repair Kit		—



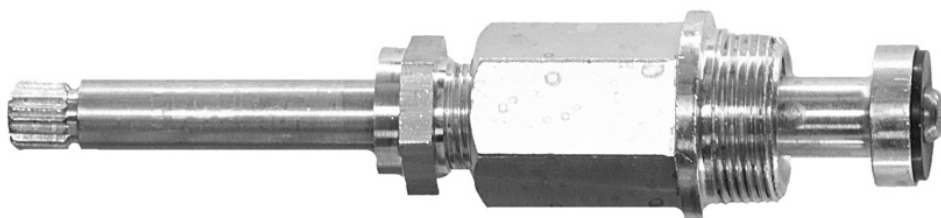
46524

BRIGGS REPUBLIC

BATH T-8106, T-8116, T-8206, T-8511

10E-5H/C

Description	ID#	Stock#
Hot/Cold Stem	10E-5H/C	15414B
Washer	3/8L Flat	35068B
Gasket	2	35544B
Packing	55	35209B
Stem Screw	17	35154
Handle Screw	14	35151
Complete Repair Kit		—



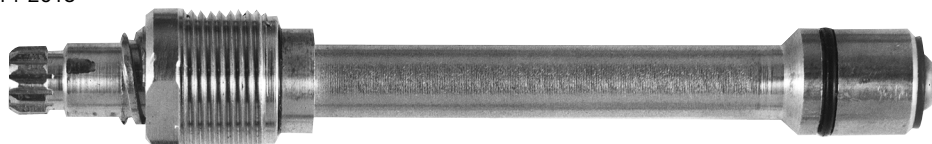
Use Danco Universal Fit Handle

HARCRAFT

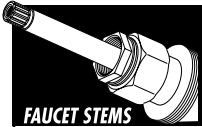
LAVATORY 14-101 to 14-201, 14-1018 to 14-2018

10G-1

Description	ID#	Stock#
Hot/Cold Stem	10G-1H/C	
Seat	65	30064E
Washer	00 Flat	35062B
"O" Rings	8	35725B
	41	35755B
Gasket	39	35574B
Stem Screw	16	35153B
Handle Screw	17	35154B
Complete Repair Kit		—



88737



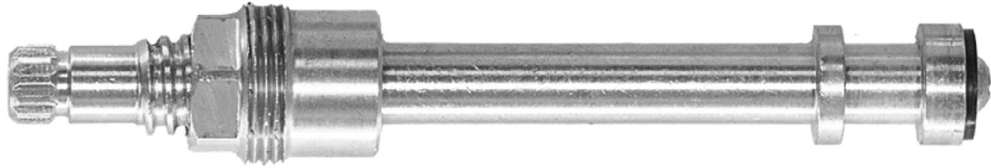
FAUCET STEMS

PICTURE PERFECT REPLACEMENT FAUCET STEMS FOR...

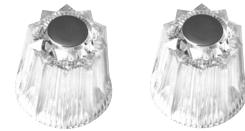
PFISTER

LAVATORY 910A

10H-1



Description	ID#	Stock#
Hot/Cold Stem	10H-1H/C	15853E
Seat	39	30038E
Washer	00 Flat	35062B
"O" Ring	8	35725B
Gasket	38	35573B
Stem Screw	16	35153B
Handle Screw	45	35646B
Complete Repair Kit	—	—

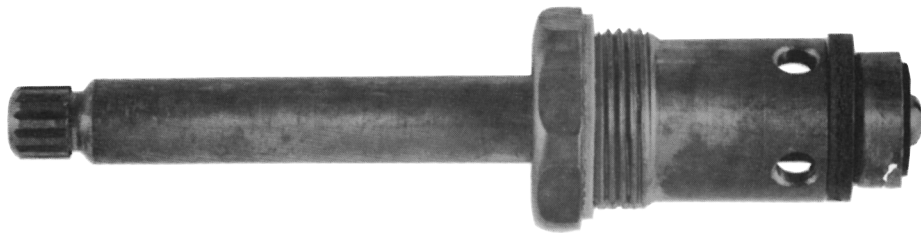


88262

CRANE

BATH R-8390, 90B-R-8400, 00B, R-8400-H, HB, H2, R-8411, R-8411-B

10H-2



Description	ID#	Stock#
Diverter Stem	10H-2D	17108B
Seat	106	30105E
Washer	1/4M Flat	35074B
Diverter Washer	12	35689B
"O" Ring	41	35755B
Gasket	15	35566B
Stem Screw	4	35141B
Handle Screw	48	35649B
Complete Repair Kit	—	—

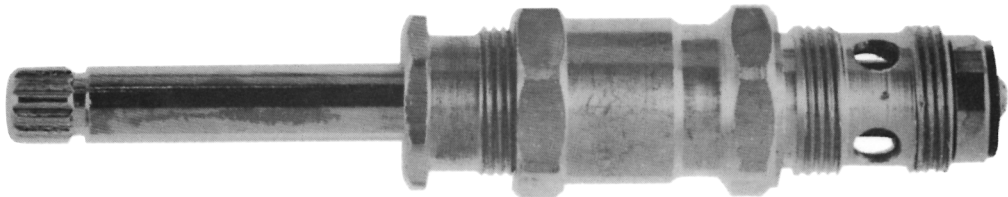


20426

HARCRAFT

BATH B2-103 Series

10H-6

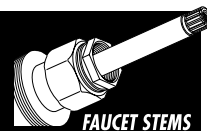


Description	ID#	Stock#
Diverter Stem	10H-6D	
Seat	None	—
Washer	1/4 Flat	35064B
"O" Ring	35	35749B
Gasket	30	35566B
Packing	95	35231B
Stem Screw	16	35153B
Handle Screw	17	35154B
Complete Repair Kit	—	—



Use Danco Universal Fit Handle

FAUCET STEMS

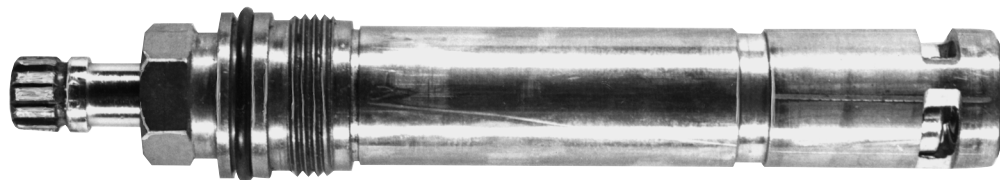


PICTURE PERFECT REPLACEMENT FAUCET STEMS FOR...

PFISTER

10H-15

WIDESPREAD LAVATORY Series H48



Description	ID#	Stock#
Hot Stem	10H-15H	18596E
Cold Stem	10H-15C	18597E
Seat	None	—
"O" Ring	67	35784B
Handle Screw	59	
Complete Repair Kit		124168

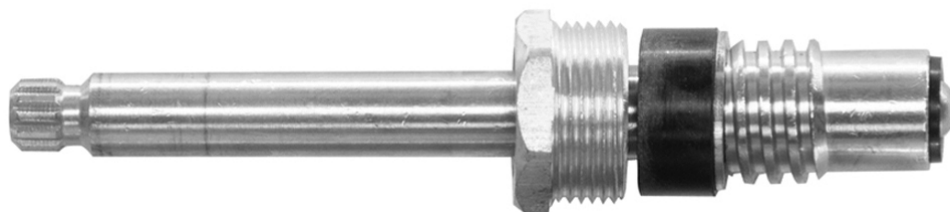


Use Danco Universal Fit Handle

CRANE

10I-1

LAVATORY R8150AM
BATH R8380M, R8381M



Description	ID#	Stock#
Hot Stem	10I-1H	17105E
Cold Stem	10I-1C	17106E
Seats	(bath) 106	30105E
Washer	00 Flat	35062B
Packing	106	35244Z
Stem Screw	4	35141B
Handle Screw	48	35649B
Complete Repair Kit		—

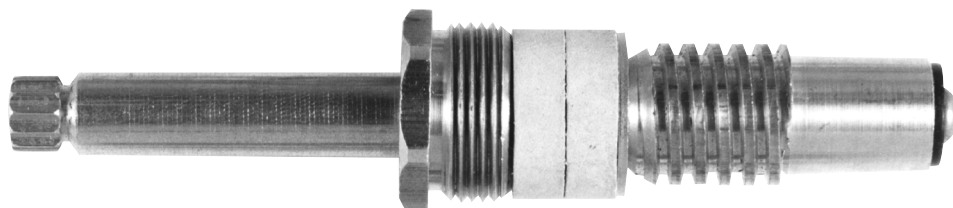


Use Danco Universal Fit Handle

REPCAL

10I-3/4

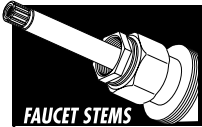
BATH B-625-P, B-626-P, B-1137-P



Description	ID#	Stock#
Hot/Cold Stem	10I-3H/C	15400B
Hot/Cold Stem	10I-4H/C	15399B (stem only)
Seats	106 (18 THD)	30105E
Washer	0 Flat	35063B
Stem Screws	16	35153B
	34	38819B
Handle Screw	48	35649B
Complete Repair Kit		—



Use Danco Universal Fit Handle



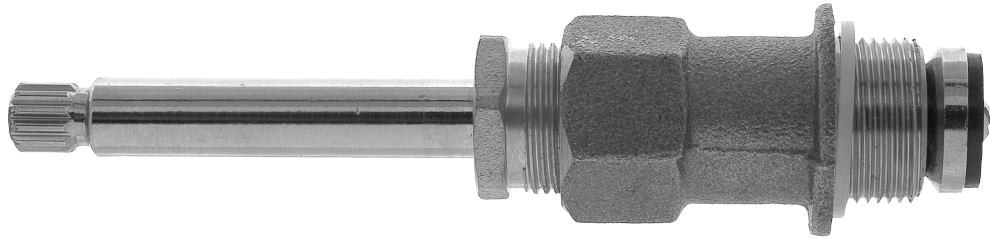
FAUCET STEMS

PICTURE PERFECT REPLACEMENT FAUCET STEMS FOR...

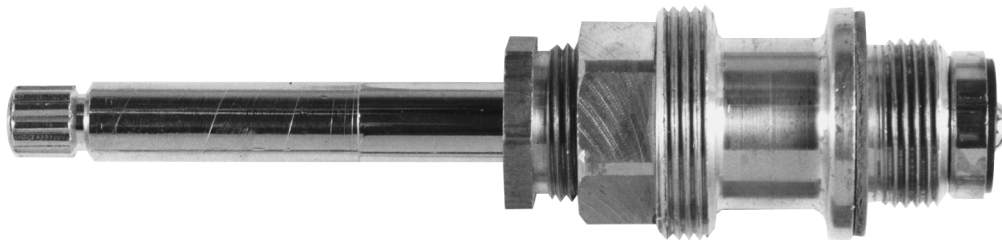
PFISTER

BATH 10, 12 D.L.H. (*Beaux-Art*)

10I-7/8



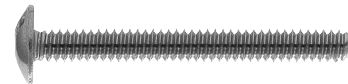
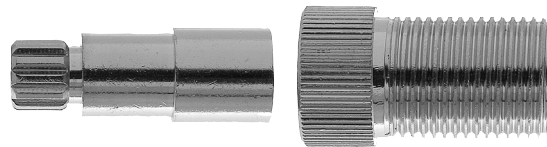
10I-7H/C



10I-8H/C

Description	ID#	Stock#
-------------	-----	--------

Hot/Cold Stem	10I-7H/C	17099B
Hot/Cold Stem	10I-8H/C	15302B (<i>external threads</i>)
220SE Stem Extension (3 Pieces)		17903
Seat	38	30037B
Washer	3/8L Flat	35068B
Gasket	32	35567B
Packing	44	35200B
Stem Screw	16	35153B
Handle Screw	16	35153B
Complete Repair Kit		—



220SE Stem Extension
17903

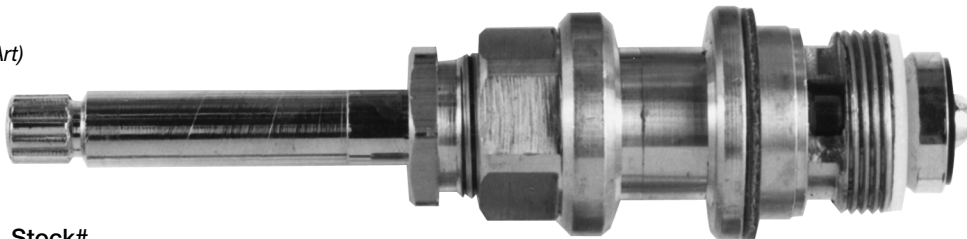


88262

PFISTER

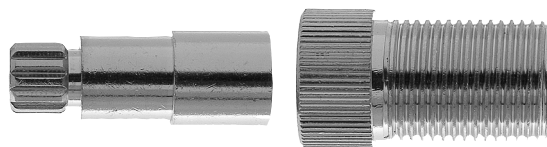
BATH 10, 12 D.L.H. (*Beaux-Art*)

10I-10



Description	ID#	Stock#
-------------	-----	--------

Diverter Stem	10I-10D	15304B
220 SE Stem Extension (3 Pieces)		17903
Seat	38	30037B
Washer	3/8L Flat	35068B
Diverter Washer	16	35692B
Gasket	44	35579B
Packing	30	35193B
Stem Screw	16	35153B
Handle Screw	16	35153B
Complete Repair Kit		124166

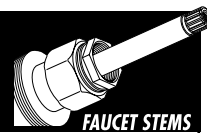


220SE Stem Extension
17903



88263

FAUCET STEMS

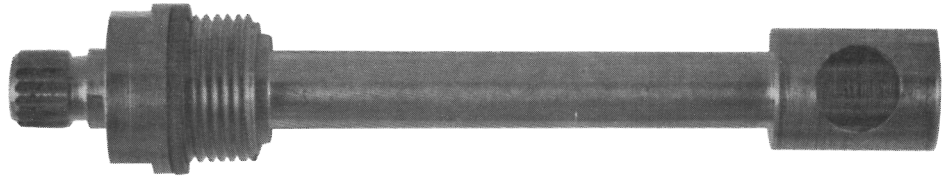


PICTURE PERFECT REPLACEMENT FAUCET STEMS FOR...

STREAMWAY

BATH 900 to 920 Series

10J-1



Description	ID#	Stock#
Diverter Stem	10J-1D	
Seat	None	—
"O" Ring	72	35785B
Gasket	28	35564B
Handle Screw	42	35643B
Complete Repair Kit		—

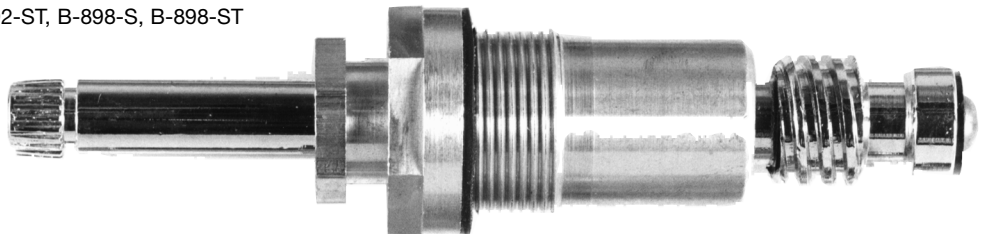


88168

AMERICAN STANDARD

SINK B-872-74-82-84, B-892-S, B-892-ST, B-898-S, B-898-ST

10K-1



Description	ID#	Stock#
Hot Stem	10K-1H	
Cold Stem	10K-1C	
Seat	1Z-6	—
Washer	0 Flat	35063B
Gasket	4	35546B
Packing	31	35194B
Stem Screw	16	35153B
Handle Screw	45	35646B
Complete Repair Kit		—



88080

AMERICAN STANDARD

BATH TL3, TL5, TL17, TL28, TL29 (Tract line)

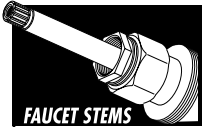
10K-9



Description	ID#	Stock#
Hot/Cold Stem	10K-9H/C	15536B
Seat	54	30053E
Washer	0 Flat	35063B
Gasket	26	35562B
Packing	31	35194B
Stem Screw	16	35153B
Handle Screw	45	35646B
Complete Repair Kit		—



Use Danco Universal Fit Handle



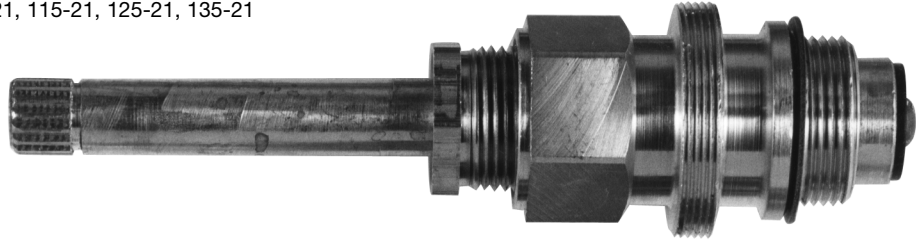
FAUCET STEMS

PICTURE PERFECT REPLACEMENT FAUCET STEMS FOR...

STERLING

10L-1

BATH 10-000 (N-602), 12-000, 13-000, 105-21, 115-21, 125-21, 135-21



Description	ID#	Stock#
Hot/Cold Stem	10L-1H/C	15420B
Seat	18	30017E
Washer	1/4L Flat	35065B
Gasket	26	35562B
Packing	31	35194B
Stem Screw	4	35141B
Handle Screw	34	35636B
Complete Repair Kit		124184

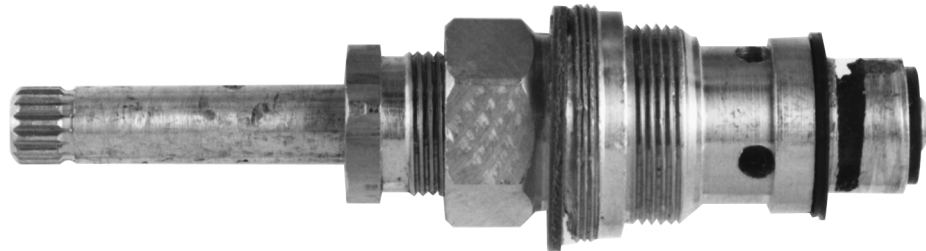


88092

STERLING

10L-3

BATH 10-000 (N-602), 105-21



Description	ID#	Stock#
Diverter Stem	10L-3D	15402B
Seat	24	30023E
Washer	1/4L Flat	35065B
Diverter Washer	17	35693B
Gasket	33	35568B
Packing	31	35194B
Stem Screw	4	35141B
Handle Screw	43	35644B
Complete Repair Kit		—

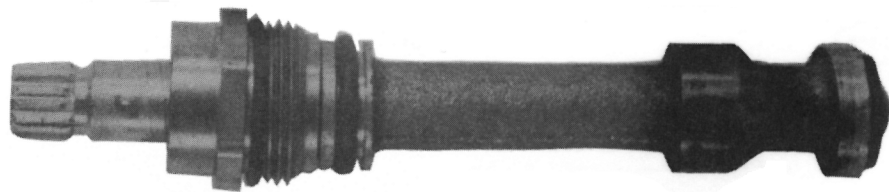


86993

STERLING

10L-5

LAVATORY 208-30, 208-70, 20-530, 20-570

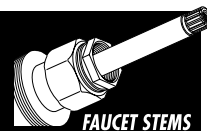


Description	ID#	Stock#
Hot/Cold Stem	10L-5H/C	
Seat	18	30017E
Washer	1/4M Flat	35074B
"O" Rings	40	35754B
	9	35726B
Stem Screw	4	35141B
Handle Screw	34	35636B
Complete Repair Kit		124176



88759

FAUCET STEMS

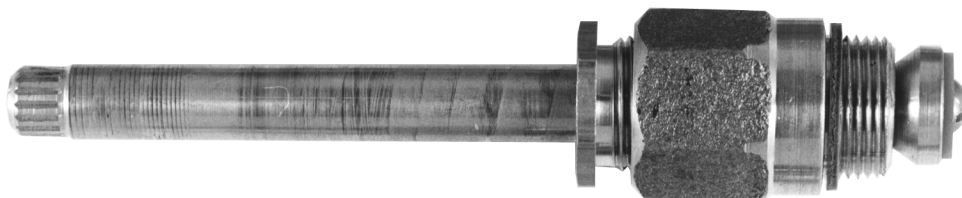


PICTURE PERFECT REPLACEMENT FAUCET STEMS FOR...

CENTRAL BRASS

10L-11

BATH 968 Series



Description	ID#	Stock#
Hot/Cold Stem 10L-11H/C		17310B
Seat	7	30006E
Washer	0 Flat	35063B
Gasket	28	35564B
Packing	31	35194B
Stem Screw	4	35141B
Handle Screw	56	35657B
Complete Repair Kit		—

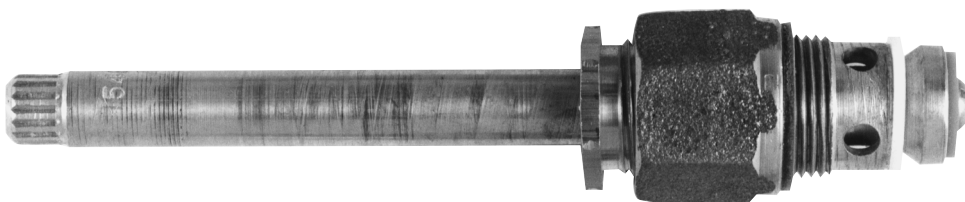


88264

CENTRAL BRASS

10L-13

BATH 968 Series



Description	ID#	Stock#
Diverter Stem	10L-13D	17311B
Seat	7	30006E
Washer	0 Flat	35063B
Diverter Washer	28	
Gasket	28	35564B
Packing	31	35194B
Stem Screw	4	35141B
Handle Screw	56	35657B
Complete Repair Kit		—

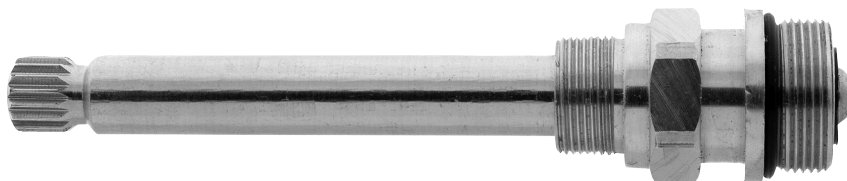


88265

STERLING

10L-15

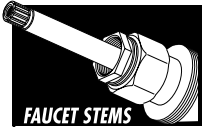
BATH 102, 103, 104



Description	ID#	Stock#
Hot/Cold Stem 10L-15H/C		17417B
Seat	18	30017E
Washer	00 Flat	35062B
"O" Ring	13	35730B
Packing	58	
Stem Screws	4	35141B
Handle Screw	79	35670B
Complete Repair Kit		—



88759



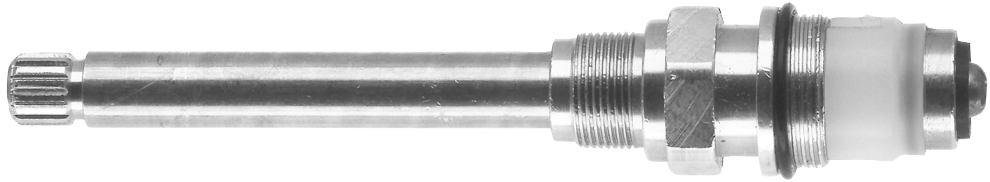
FAUCET STEMS

PICTURE PERFECT REPLACEMENT FAUCET STEMS FOR...

STERLING

10L-16

BATH 102, 103, 104



Description	ID#	Stock#
Diverter Stem	10L-16D	17416B
Seat	18	30017E
Washer	00 Flat	35062B
"O" Rings	6	35723B
	13	35730B
Stem Screws	4	35141B
	31	
Handle Screw	57	
Complete Repair Kit	—	

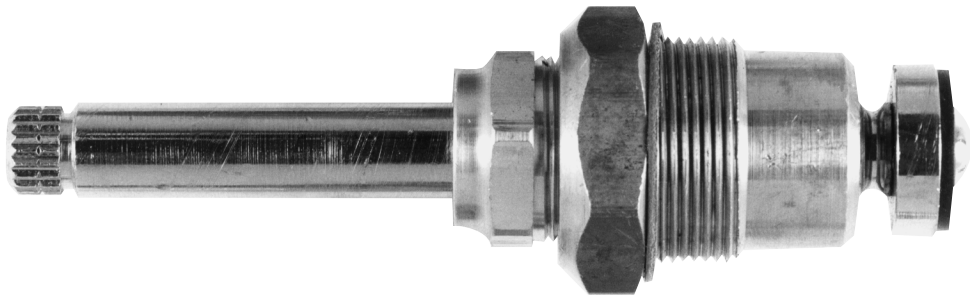


Use Danco Universal Fit Handle

SPEAKMAN

10P-1

BATH S5000 Commander (*Concealed with binder nut on Handle*)



Description	ID#	Stock#
Hot/Cold Stem	10P-1H/C	15230B
Seat	22	
Washer	5/8 Flat	35071B
Gasket	21	35559B
Packing	66	35216B
Stem Screw	45	35646B
Complete Repair Kit	—	

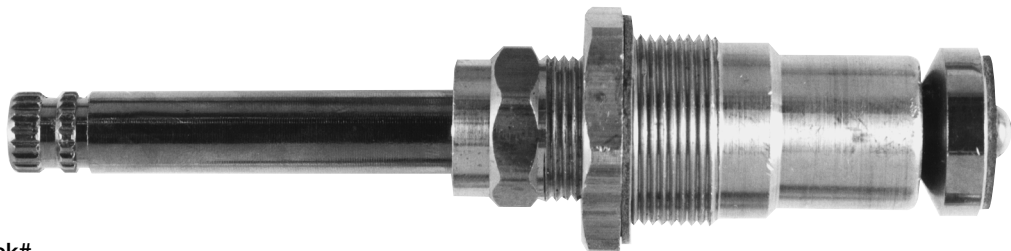


Use Danco Universal Fit Handle

SPEAKMAN

10P-5

BATH S-5060 (*Diamond Hi-Seat*)

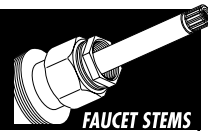


Description	ID#	Stock#
Hot/Cold Stem	10P-5H/C	15236B
Seat	22	
Washer	5/8 Flat	35071B
Gasket	22	35560B
Packing	30	35193B
Stem Screw	16	35153B
Handle Screw	17	35154B
Complete Repair Kit	—	



Use Danco Universal Fit Handle

FAUCET STEMS

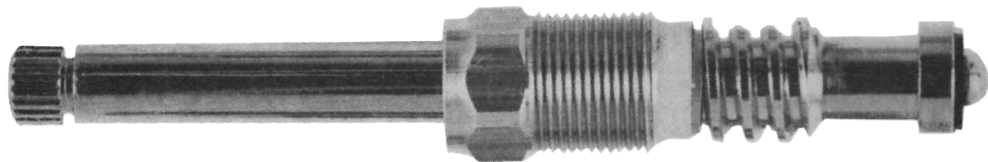


PICTURE PERFECT REPLACEMENT FAUCET STEMS FOR...

SPEAKMAN

10P-7

BATH SK-500 to SK-530 (March 1953)



Description	ID#	Stock#
Hot/Cold Stem	10P-7H/C	15696B
Seat	21	
Washer	0 Flat	35063B
Packing	68	35218B
Stem Screw	16	35153B
Handle Screw	17	35154B
Complete Repair Kit	—	

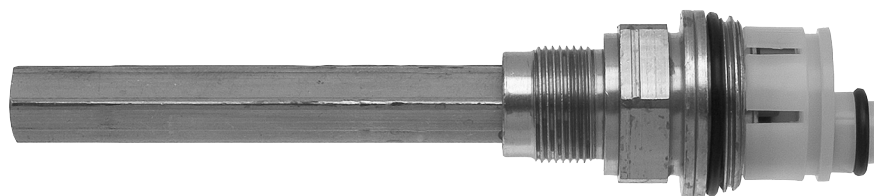


Use Danco Universal Fit Handle

STERLING

10S-6

CERAMIC DISC



Description	ID#	Stock#
Hot Stem	10S-6H	
Cold Stem	10S-6C	
Seat	None	—
"O" Rings	30	35723B
	8	35744B
Handle Screw	53	35644B
Complete Repair Kit	—	

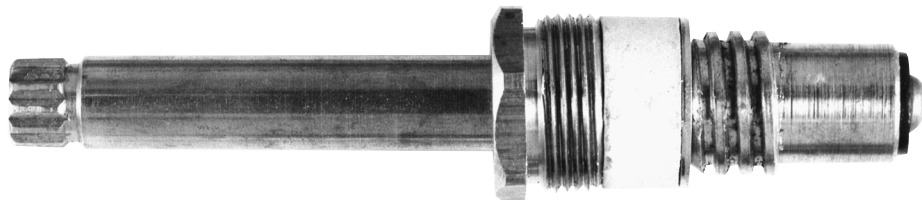


14884

CRANE

10Z-1

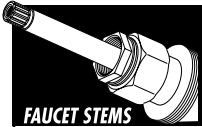
BATH R-8360, 70, 90, 90B, R-8400, 00B, H, HB, H2, R-8411, R-8411-B



Description	ID#	Stock#
Hot/Cold Stem	10Z-1H/C	16059B
Handle Adapter	None	—
Seat	106	30105B
Washer	00 Flat	35062B
Packing	66	35216B
Stem Screw	4	35141B
Handle Screw	48	35649B
Complete Repair Kit	—	



Use Danco Universal Fit Handle



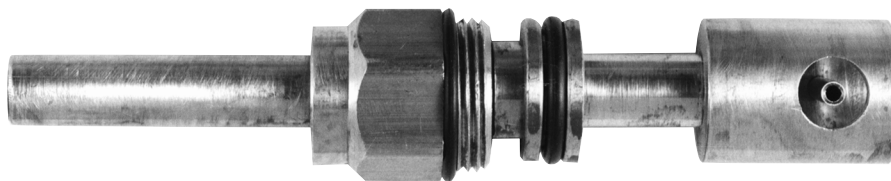
FAUCET STEMS

PICTURE PERFECT REPLACEMENT FAUCET STEMS FOR...

UNION GOPHER

BATH 30-31 (From 1965)

10Z-3



Description	ID#	Stock#
Diverter Stem	10Z-3D	17110B
Handle Adapter	None	—
Seat	None	—
"O" Rings	30	35744B
	11	35728B
Handle Screw	53	35654B
Complete Repair Kit		—

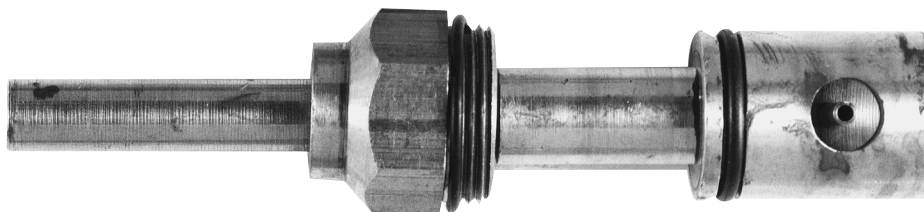


20358

UNION GOPHER

BATH 30 Series (Old Style)

10Z-5



Description	ID#	Stock#
Diverter Stem	10Z-5D	15418B
Handle Adapter	None	—
Seat	None	—
"O" Rings	30	35744B
	8	35725B
Handle Screw	53	35654B
Complete Repair Kit		—



20358

VALLEY

BATH TC491, TC994, TC996

10Z-9

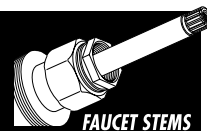


Description	ID#	Stock#
Diverter Stem	10Z-9D	17453B
Handle Adapter	None	—
Seat	None	—
"O" Rings	67	35784B
	8	35725B
Handle Screw	10	35147B
Complete Repair Kit		—



Use Danco Universal Fit Handle

FAUCET STEMS

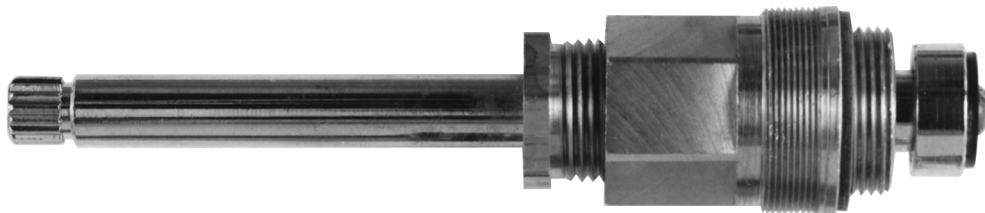


PICTURE PERFECT REPLACEMENT FAUCET STEMS FOR...

GERBER

11B-1/2

BATH 60, 80, 82, 100, 582, 642, 800



Description	ID#	Stock#
Hot/Cold Stem	11B-1H/C	15354B
Hot/Cold Stem	11B-2H/C	15353B (stem only)
Seats	28	30027E
Washer	1/4L Flat	35065B
Gasket	7	35549B
Packing	51	35207B
Stem Screw	16	35153B
Handle Screw	38	35639B
Complete Repair Kit		124140

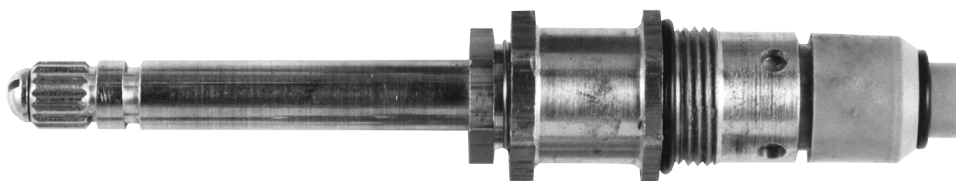


88860

SAYCO

11B-3

BATH WD-208-D, W-308 to convert standard faucet to washerless operation
BATH 308, T-308 (from 1968)



Description	ID#	Stock#
Hot/Cold Stem	11B-3H/C	17305B
Seat	Included	—
"O" Rings	35	35749B
	36	35750B
	7	35724B
Packing	101	35237B
Handle Screws	5	35142B
Complete Repair Kit		—

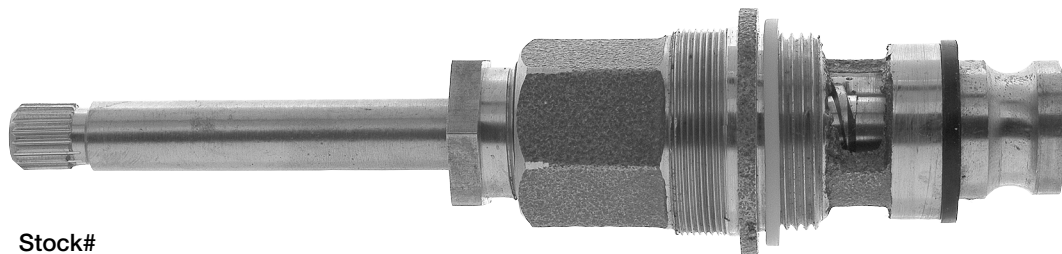


88746

GERBER

11B-4

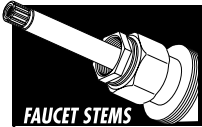
BATH E4800 Series



Description	ID#	Stock#
Diverter Stem	11B-4D	15352B
Seat	28	30027E
Washer	1/4M Flat	35074B
Diverter Washer	17	35693B
Gasket	22	35560B
Packing	51	35207B
Stem Screw	16	35153B
Handle Screw	38	35639B
Complete Repair Kit		124144



88861



FAUCET STEMS

PICTURE PERFECT REPLACEMENT FAUCET STEMS FOR...

BRIGGS

11B-7



Description	ID#	Stock#
Hot Stem	11B-7H	16138B
Cold Stem	11B-7C	16139B
Seat	None	—
Stem O-Ring	7	35724B
Bonnet O-Ring	67	35784B
Complete Repair Kit	—	—

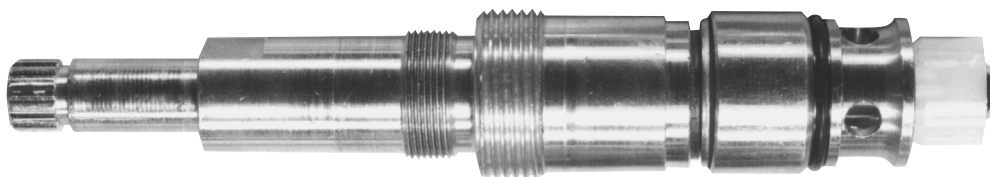


Use Danco Universal Fit Handle

AMERICAN STANDARD

11C-1

BATH C-101-2, C-102-2, C-103-2, C-104-2, C-1356-021, C-1356-070



Description	ID#	Stock#
Diverter Stem	11C-1D	15702B
Seat	None	—
Diverter Washer	20	—
"O" Ring	40	35754B
Packing	92	35228B
Stem Screw	4	35141B
Handle Screw	4	35141B
Complete Repair Kit	—	—

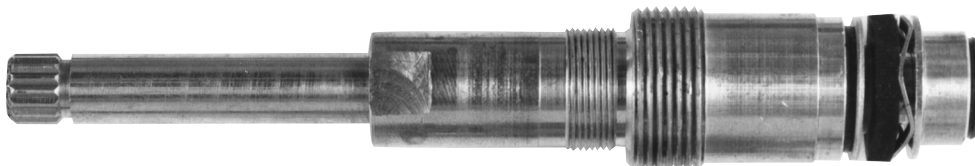


88508

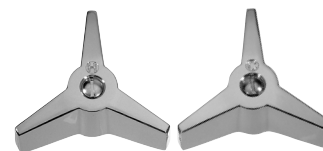
AMERICAN STANDARD

11C-3

BATH C-101 to C-333 (Colony Line)

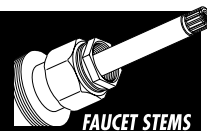


Description	ID#	Stock#
Hot/Cold Stem	11C-3H/C	15704B
Seat	44	30043E
Washer	0 Flat	35063B
Packing	92	35228B
Stem Screw	4	35141B
Handle Screw	4	35141B
Complete Repair Kit	—	124104



88432

FAUCET STEMS

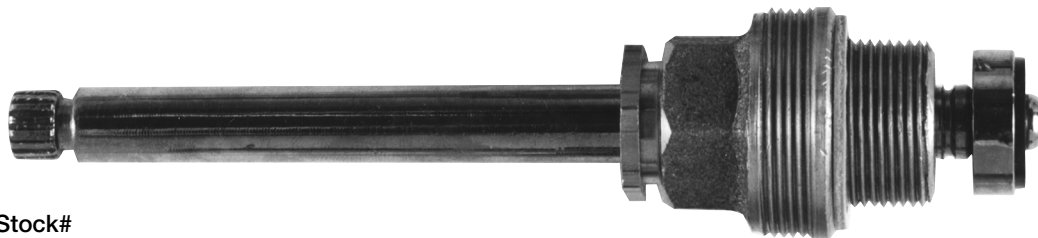


PICTURE PERFECT REPLACEMENT FAUCET STEMS FOR...

CENTRAL BRASS

11C-5

BATH 4478, 5078-88, 5268, 5868, 6078-88, 6288, 6478, 6868, 6988



Description	ID#	Stock#
Hot/Cold Stem	11C-5H/C	17149B
Seats	5	30004E
Washer	3/8L Flat	35068B
Gasket	40	35575B
Packing	95	35231B
Packing Nut	68 PN	17890B
Stem Screw	16	35153B
Handle Screw	35	35637B
Complete Repair Kit	—	—

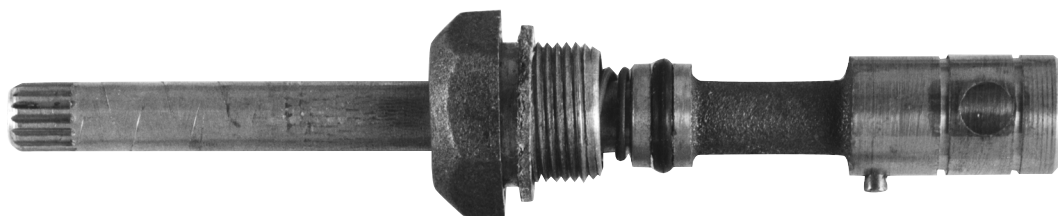


88264

ROYAL BRASS

11C-7

BATH 1047



Description	ID#	Stock#
Diverter Stem	11C-7D	17151B
Seat	None	—
"O" Ring	8	35725B
Gasket	1	35543B
Handle Screw	38	35639B
Complete Repair Kit	—	—

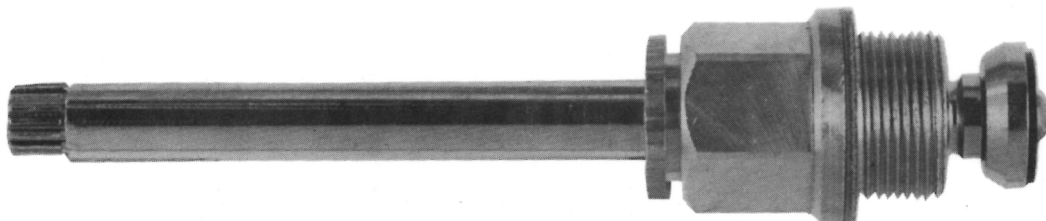


Use Danco Universal Fit Handle

CENTRAL BRASS

11C-11

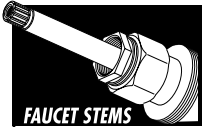
BATH 9818 Series (*Diverto*)



Description	ID#	Stock#
Hot/Cold Stem	11C-11H/C	15098B
Seat	5	30004E
Washer	3/8L Flat	35068B
Gasket	40	35575B
Packing	31	35194B
Stem Screw	16	35153B
Handle Screw	34	35636B
Complete Repair Kit	—	—



88264



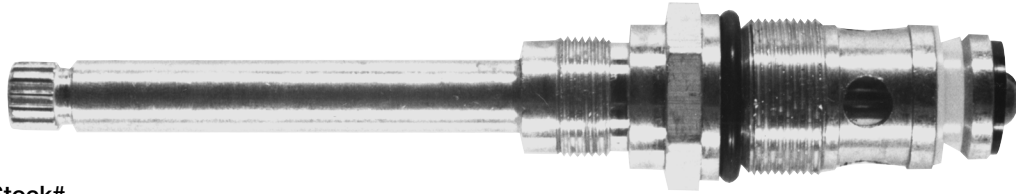
FAUCET STEMS

PICTURE PERFECT REPLACEMENT FAUCET STEMS FOR...

KOHLER

BATH K-11618, K-11622

11C-13



Description	ID#	Stock#
Diverter Stem	11C-13D	18617B
Seat	2	30001E
Washer	1/4 Flat	35064B
Diverter Washer	30	35678B
"O" Rings	13	35730B
	7	35724B
Stem Screw	4	35141B
Handle Screw	42	35643B
Complete Repair Kit		—

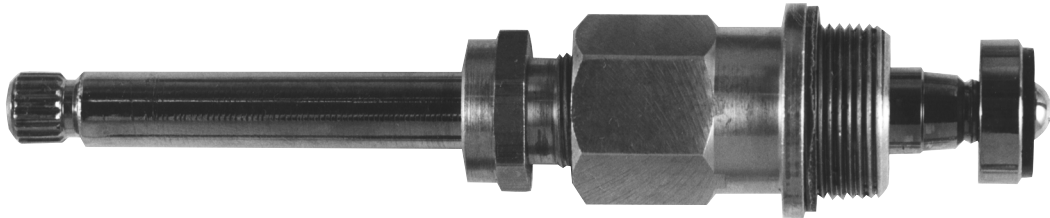


88769

BRIGGS-REPUBLIC

BATH K-3370, T-8105-15, T-8125, T-8205, T-8510

11E-1



Description	ID#	Stock#
Hot/Cold Stem	11E-1H/C	15362B
Seat	11	
Washer	3/8L Flat	35068B
Gasket	2	35544B
Packing	55	35209B
Stem Screw	13	35150B
Handle Screw	14	35154B
Complete Repair Kit		—

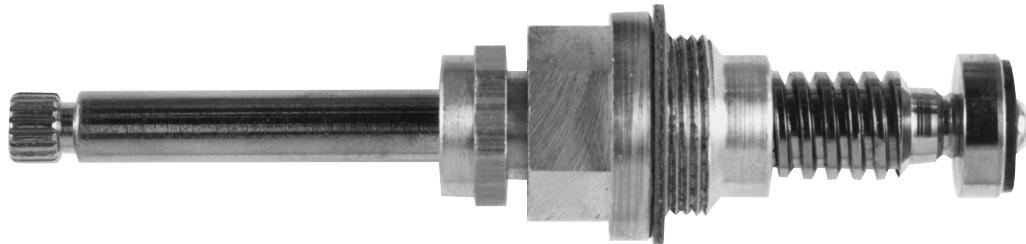


Use Danco Universal Fit Handle

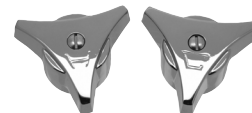
UNION GOPHER

BATH L-6300-06, L-6320-25, L-6404-05-06-08

11E-3

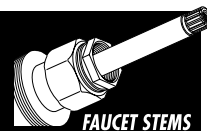


Description	ID#	Stock#
Hot/Cold Stem	11E-3H/C	15416B
Seat	87	
Washer	3/8L Flat	35068B
Gasket	46	35581B
Packing	50	35206B
Stem Screw	4	35141B
Handle Screw	38	35639B
Complete Repair Kit		—



88752

FAUCET STEMS

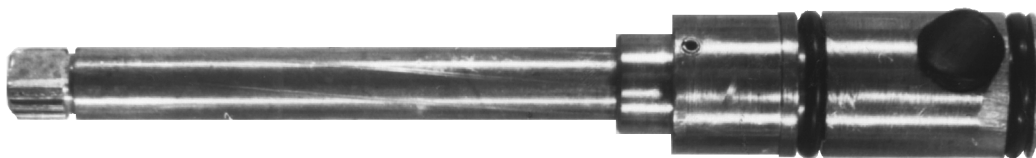


PICTURE PERFECT REPLACEMENT FAUCET STEMS FOR...

INDIANA BRASS

11E-7

BATH



Description	ID#	Stock#
Diverter Stem	11E-7D	18582B
Seat	None	—
"O" Ring	11	35728B
Handle Screw	38	35639B
Complete Repair Kit	—	—

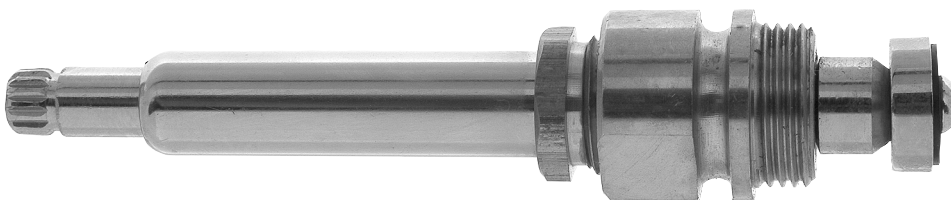


Use Danco Universal Fit Handle

SAVOY

11F-1

BATH 2 Valve (Concealed Body)



Description	ID#	Stock#
Hot/Cold Stem	11F-1H/C	15865B
Seat	41	—
Washer	3/8 Flat	35066B
Gasket	7	35549B
Packing	95	35231B
Stem Screw	16	35153B
Handle Screw	53	35654B
Complete Repair Kit	—	—

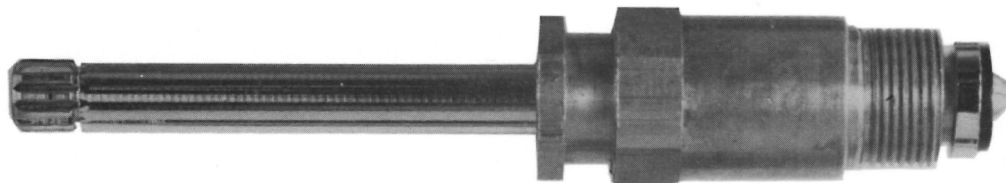


Use Danco Universal Fit Handle

HARCRAFT

11I-1

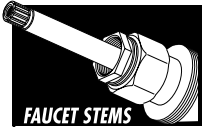
BATH B2-103 Series



Description	ID#	Stock#
Hot/Cold Stem	11I-1H/C	15618B
Seat	60	—
Washer	1/4 Flat	35064B
Gasket	30	35566B
Packing	95	35231B
Stem Screw	16	35153B
Handle Screw	17	35154B
Complete Repair Kit	—	—



88737



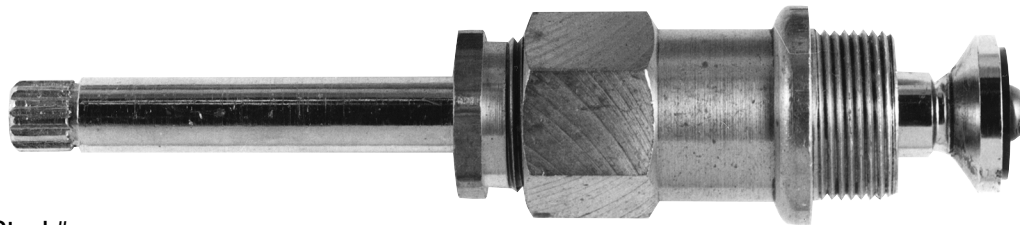
FAUCET STEMS

PICTURE PERFECT REPLACEMENT FAUCET STEMS FOR...

ARROWHEAD BRASS

BATH CL30, CL30N, CL50, CL50N, CL60, CL64, CL70, CL74

111-6



Description	ID#	Stock#
Hot/Cold Stem	111-6H/C	17134B
Seat	120	
Washer	3/8L Flat	35068B
Gasket	44	35579B
Packing	59	35213B
Stem Screw	4	35141B
Handle Screw	44	35638B
Complete Repair Kit	—	

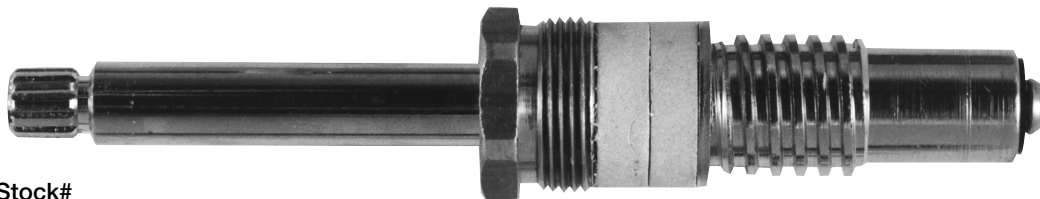


Use Danco Universal Fit Handle

REPCAL / CRANE

BATH B626-PC, B1143-PC

111-9/10



Description	ID#	Stock#
Hot/Cold Stem	111-9H/C	15396B
Hot/Cold Stem	111-10H/C	15395B (stem only)
Seats	45	
	46	
Washer	0 Flat	35063B
Packing	87	35223B
Stem Screw	16	35153B
Handle Screw	46	35647B
Complete Repair Kit	124132	

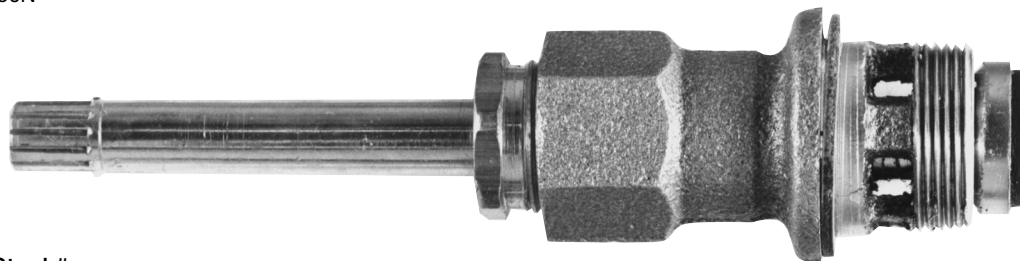


Use Danco Universal Fit Handle

ARROWHEAD BRASS

BATH CL30, CL30N, CL50, CL50N

111-13

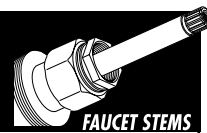


Description	ID#	Stock#
Diverter Stem	111-13D	17136B
Seat	120	30119S
Washer	3/8L Flat	35068B
Gasket	46	35581B
Packing	59	35213B
Stem Screw	4	35141B
Handle Screw	37	35638B
Complete Repair Kit	—	



Use Danco Universal Fit Handle

FAUCET STEMS

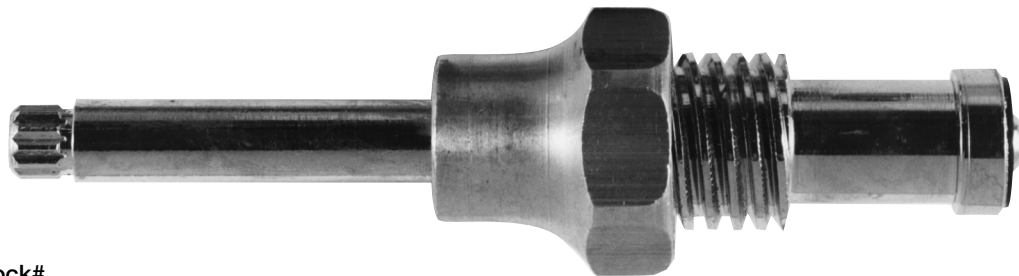


PICTURE PERFECT REPLACEMENT FAUCET STEMS FOR...

PUBCO

BATH
SHOWER

11I-14



Description	ID#	Stock#
Hot/Cold Stem	11I-14H/C	
Seat	None	—
Washer	3/8L Flat	35068B
Packing	44	35200B
Stem Screw	4	35141B
Handle Screw	48	35649B
Complete Repair Kit		—

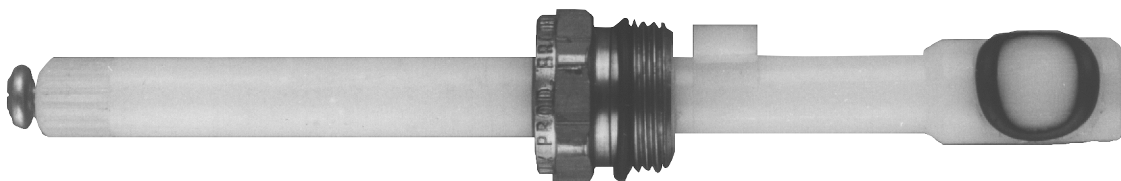


Use Danco Universal Fit Handle

PHOENIX

BATH & SHOWER *Plastic*

11J-6



Description	ID#	Stock#
Diverter Stem	11J-6D	
Seat	None	—
"O" Rings	13	35730B
	9	35726B
Handle Screw	2	35884B
Complete Repair Kit		—

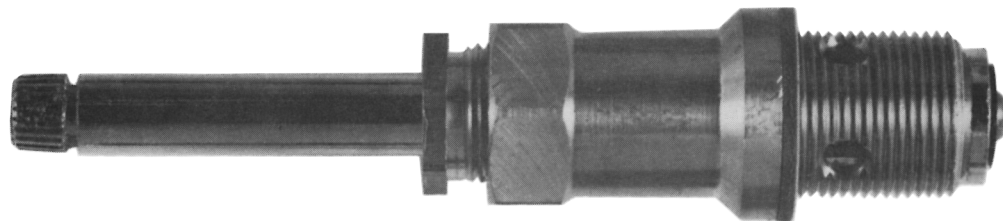


88171

AMERICAN STANDARD

BATH TL3 (*Tract line*)

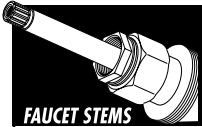
11K-1



Description	ID#	Stock#
Diverter Stem	11K-1D	15538B
Seat	54	30053E
Washer	0 Flat	35063B
Gasket	26	35562B
Packing	31	35194B
Stem Screw	16	35153B
Handle Screw	45	35646B
Complete Repair Kit		—



88079



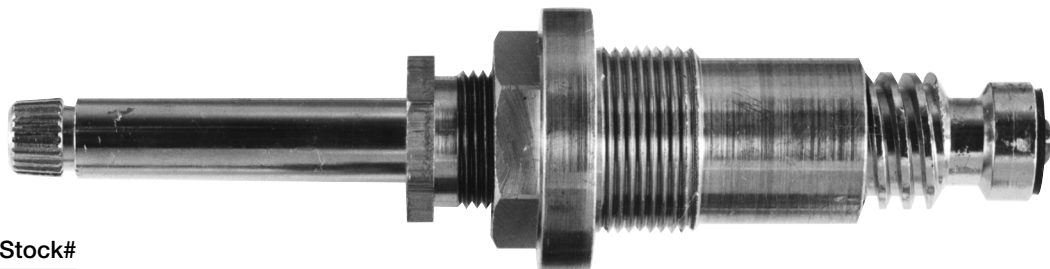
FAUCET STEMS

PICTURE PERFECT REPLACEMENT FAUCET STEMS FOR...

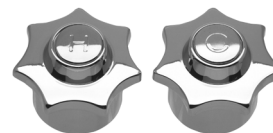
AMERICAN STANDARD

11K-3

BATH All models prior to 4100 Series



Description	ID#	Stock#
Hot/Cold Stem	11K-3H/C	15054B
Seat	1Z-6H	15027E
Washer	0 Flat	35063B
Gasket	9	35551B
Packing	31	35194B
Stem Screw	16	35153B
Handle Screw	45	35646B
Complete Repair Kit	—	

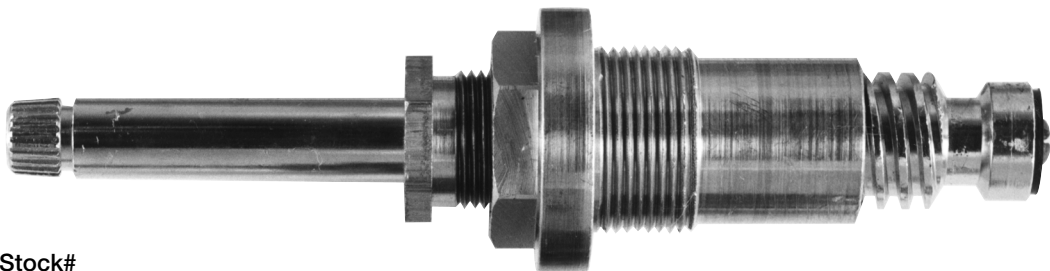


88080

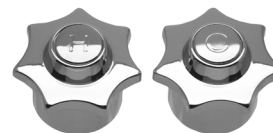
AMERICAN STANDARD

11K-5

BATH All models prior to 4100 Series



Description	ID#	Stock#
Cold Stem	11K-5C	17147B
Seat	1Z-6C	15028E
Washer	0 Flat	35063B
Gasket	9	35551B
Packing	31	35194B
Stem Screw	16	35153B
Handle Screw	45	35646B
Complete Repair Kit	—	

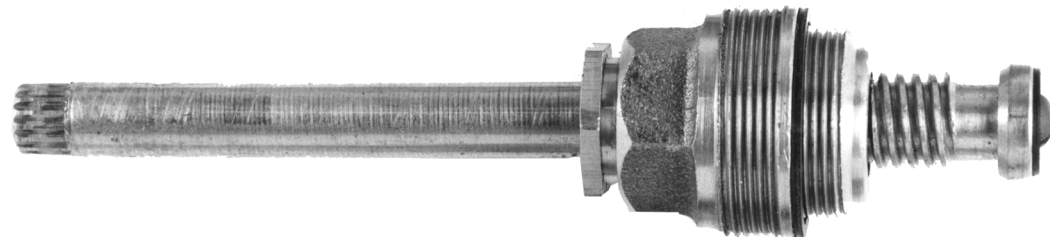


88080

CENTRAL BRASS

11L-7

BATH (Superseat)

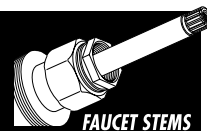


Description	ID#	Stock#
Hot/Cold Stem	11L-7H/C	
Seat	78	
Washer	0 Flat	35063B
Gasket	22	35560B
Packing	95	35231B
Stem Screw	5	35142B
Handle Screw	56	35657B
Complete Repair Kit	—	



88264

FAUCET STEMS



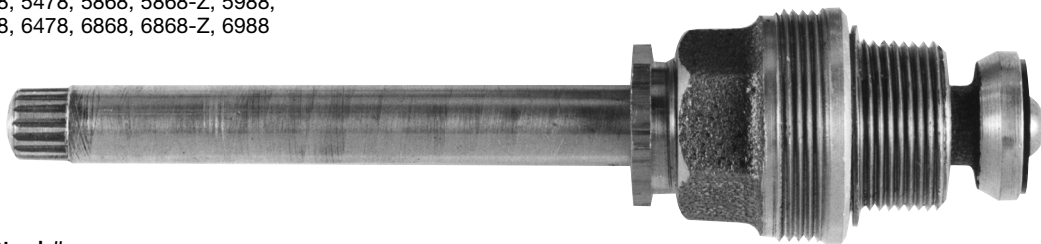
PICTURE PERFECT REPLACEMENT FAUCET STEMS FOR...

CENTRAL BRASS

11L-9

BATH For Sliding Escutcheon Style Trim

5078, 5088, 5088-Z, 5268, 5478, 5868, 5868-Z, 5988,
6078, 6088, 6088-Z, 6268, 6478, 6868, 6868-Z, 6988



Description	ID#	Stock#
Hot/Cold Stem	11L-9H/C	17319B
Seat	139	
Washer	3/8L Flat	35068B
Gasket	19	35558B
Packing	31	35194B
Stem Screw	11	35148B
Handle Screw	56	35657B
Complete Repair Kit		124122

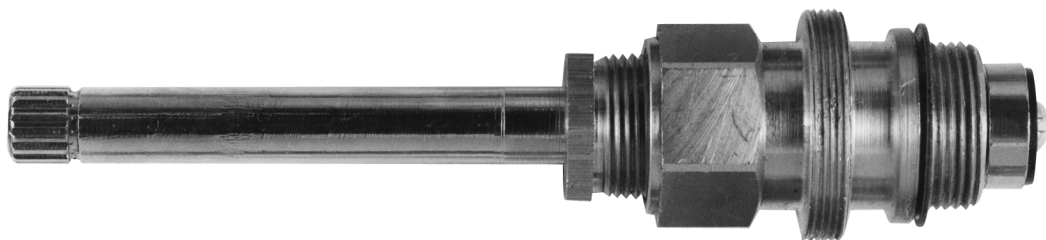


88264

STERLING

11L-11

BATH 600 Series



Description	ID#	Stock#
Hot/Cold Stem	11L-11H/C	15250B
Seat	18	30017E
Washer	1/4L Flat	35065B
Gasket	26	35562B
Packing	31	35194B
Stem Screw	4	35141B
Handle Screw	43	35644B
Complete Repair Kit		124184

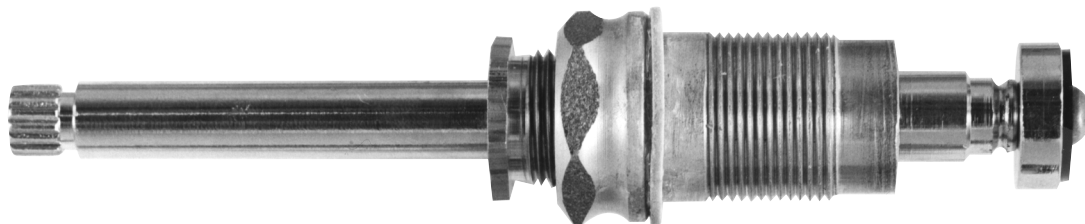


88092

CENTRAL BRASS

11L-13

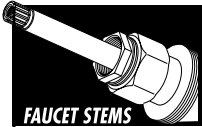
BATH Old Style



Description	ID#	Stock#
Hot/Cold Stem	11L-13H/C	
Seat	5	30004E
Washer	3/8L Flat	35068B
Gasket	40	35575B
Packing	31	35194B
Stem Screw	4	35141B
Handle Screw	48	35649B
Complete Repair Kit		—



88264



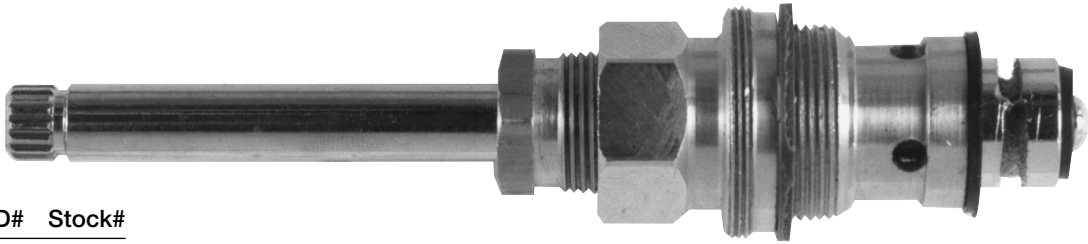
FAUCET STEMS

PICTURE PERFECT REPLACEMENT FAUCET STEMS FOR...

STERLING

11L-15

BATH 10-200 (S-600 Series)



Description	ID#	Stock#
Diverter Stem	11L-15D	15256B
Seat	18	30017E
Washer	1/4L Flat	35065B
Diverter Washer	17	35693B
Gasket	33	35568B
Packing	31	35194B
Stem Screw	4	35141B
Handle Screw	43	35644B
Complete Repair Kit	—	—



86993

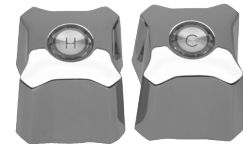
KOHLER

11N-1/2

BATH K10106, 112, 120, 136, 144, 228, 232



Description	ID#	Stock#
Hot/Cold Stem	11N-1H/C	15800B
Hot/Cold Stem	11N-2H/C	15799B
Seat	56	30055E
Washer	00 Flat	35062B
"O" Rings	33	35747B
	9	35726B
Stem Screw	31	35633B
Handle Screw	42	35643B
Complete Repair Kit	—	—

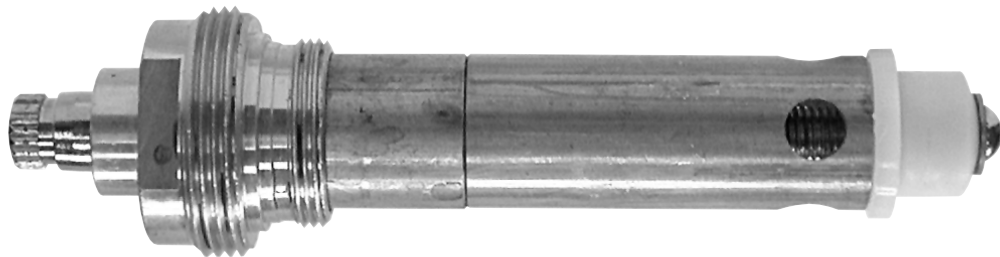


88768

KOHLER

11N-3

BATH K-7014, K-7016

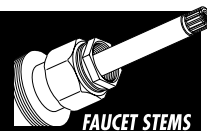


Description	ID#	Stock#
Diverter Stem	11N-3D	15630B
Seat	None	—
Diverter Washer	19	35695B
"O" Rings	33	35747B
	9	35726B
Stem Screw	5	35142B
Handle Screw	48	35649B
Complete Repair Kit	—	—



88769

FAUCET STEMS

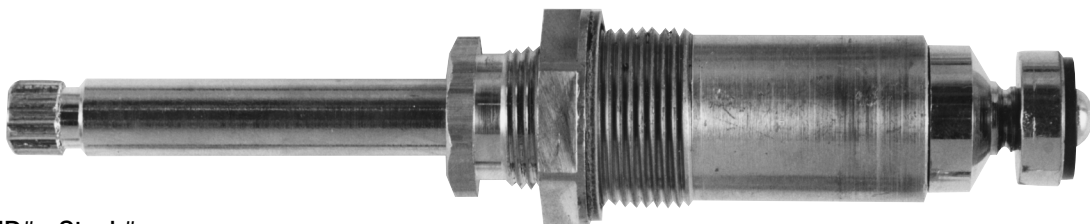


PICTURE PERFECT REPLACEMENT FAUCET STEMS FOR...

CRANE

11Z-5

BATH Criterion, Rival (concealed)



Description	ID#	Stock#
Hot/Cold Stem	11Z-5H/C	15512B
Handle Adapter	None	—
Seat	35	—
Washer	1/4L Flat	35065B
Gaskets	2	35544B
Packing	95	35231B
Stem Screw	16	35153B
Handle Screw	4425	—
Complete Repair Kit	—	—

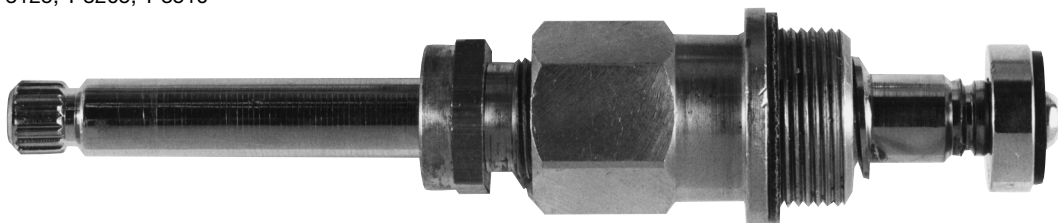


Use Danco Universal Fit Handle

BRIGGS REPUBLIC

11Z-6

BATH K-3370, T-8105, 15, T-8125, T-8205, T-8510



Description	ID#	Stock#
Hot/Cold Stem	11Z-6H/C	15082B
Handle Adapter	None	—
Seat	11	—
Washer	3/8L Flat	35068B
Gasket	2	35544B
Packing	55	35209B
Stem Screw	13	35150B
Handle Screw	14	35151B
Complete Repair Kit	—	—

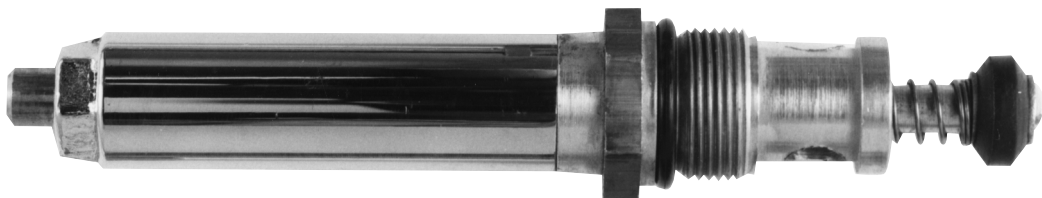


Use Danco Universal Fit Handle

KOHLER

11Z-9

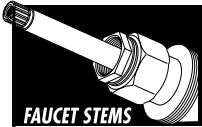
BATH K-10616, K-10620



Description	ID#	Stock#
Diverter Stem	11Z-9D	17150B
Handle Adapter	None	—
Seat	None	—
Diverter Washer	27	35703B
"O" Rings	13	35730B
	5	35722B
Stem Screw	42	35643B
Handle Screw	48	35649B
Complete Repair Kit	—	—



Use Danco Universal Fit Handle



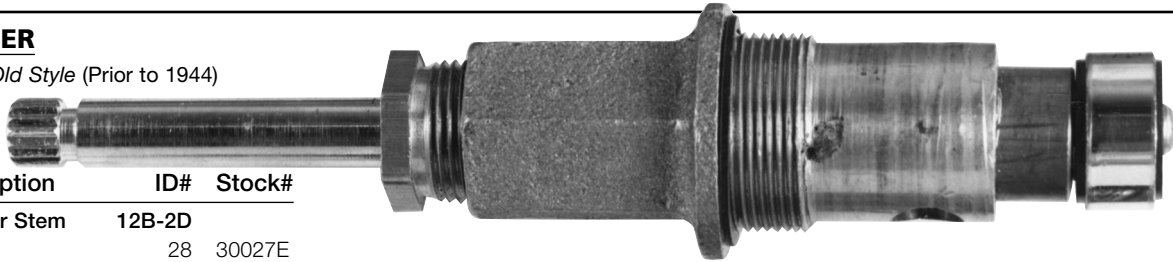
FAUCET STEMS

PICTURE PERFECT REPLACEMENT FAUCET STEMS FOR...

GERBER

BATH *Old Style* (Prior to 1944)

12B-2



Description	ID#	Stock#
Diverter Stem	12B-2D	
Seats	28	30027E
Washer	1/2 Flat	35069B
Diverter Washer	6	35684B
Gasket	22	35560B
Packing	51	35207B
Stem Screw	16	35153B
Handle Screw	38	35639B
Complete Repair Kit	—	

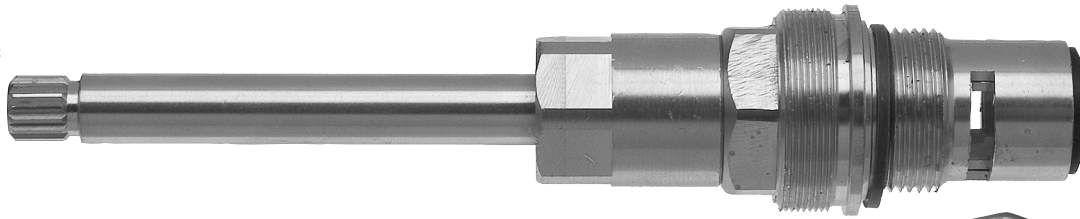


88861

GERBER

CERAMIC DISC

12B-4



Description	ID#	Stock#
Hot/Cold Stem	12B-4H/C	18733B
Handle Adapter	11	80655
Seat	None	—
Gasket	7	35549
Complete Repair Kit	—	

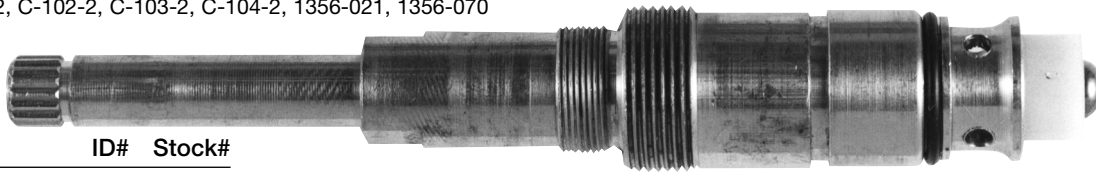


88860

AMERICAN STANDARD

BATH C-101-2, C-102-2, C-103-2, C-104-2, 1356-021, 1356-070

12C-1



Description	ID#	Stock#
Diverter Stem	12C-1D	15706B
Seat	None	—
Diverter Washer	20	35696
"O" Ring	40	35754
Packing	92	3522
Stem Screws	4	35141
Handle Screw	4	35141
Complete Repair Kit		124104

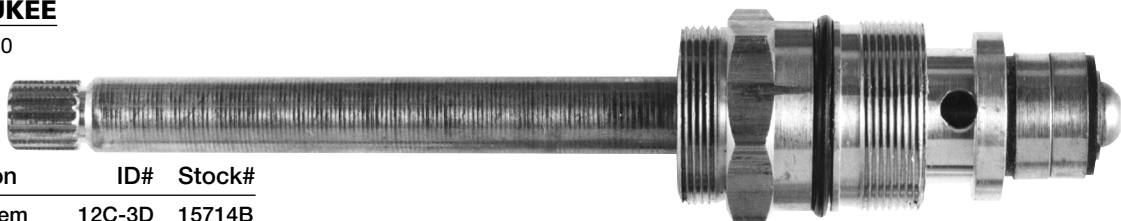


Use Danco Universal Fit Handle

MILWAUKEE

BATH K1120

12C-3

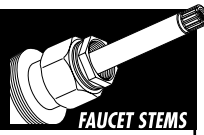


Description	ID#	Stock#
Diverter Stem	12C-3D	15714B
Seat	None	—
Diverter Washer	23	35699B
"O" Rings	66	35780B
	7	35724B
Handle Screws	38	35639B
	79	35670B
Complete Repair Kit	—	



Use Danco Universal Fit Handle

FAUCET STEMS

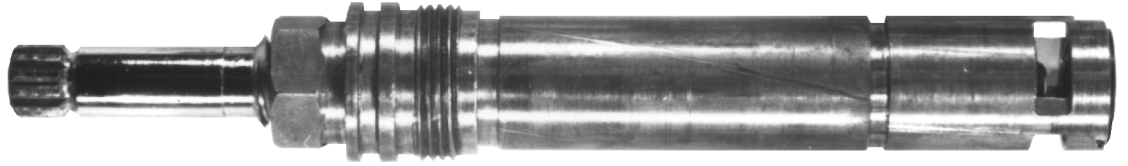


PICTURE PERFECT REPLACEMENT FAUCET STEMS FOR...

PFISTER

WASHERLESS WIDESPREAD LAVATORY

12G-1



Description	ID#	Stock#
Hot Stem	12G-1H	18583E
Cold Stem	12G-1C	18584E
Seat	None	—
"O" Rings	67	35784B
	8	35725B
Handle Screw	49	35650B
Complete Repair Kit		—

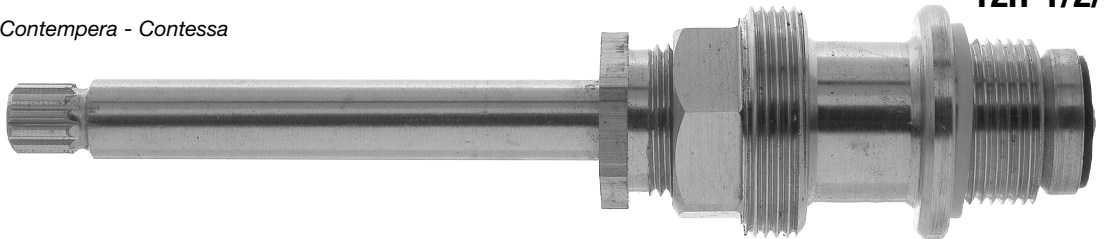


88262

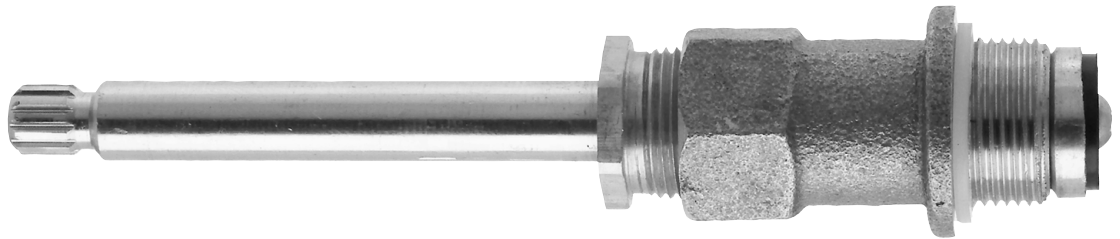
PFISTER

BATH 01-010 to 01-380 *Contempora - Contessa*

12H-1/2/3

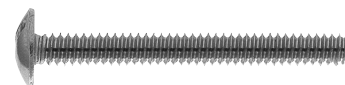
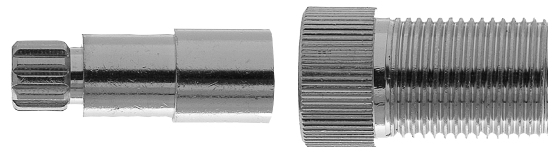


12H-1H/C
15716B



12H-2H/C
17335B

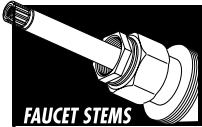
Description	ID#	Stock#
Hot/Cold Stem	12H-1H/C	15716B
Hot/Cold Stem	12H-2H/C	17335B (<i>bonnet less thread</i>)
Hot/Cold Stem	12H-3H/C	15715B (<i>stem only</i>)
220SE Stem Extension		17903
Seat	38	30037B
Washer	3/8L Flat	35068B
Gasket	44	35579B
Packing	44	35200B
Stem Screw	16	35153B
Handle Screw	38	35639B
Complete Repair Kit		124162



220SE Stem Extension
17903



80457



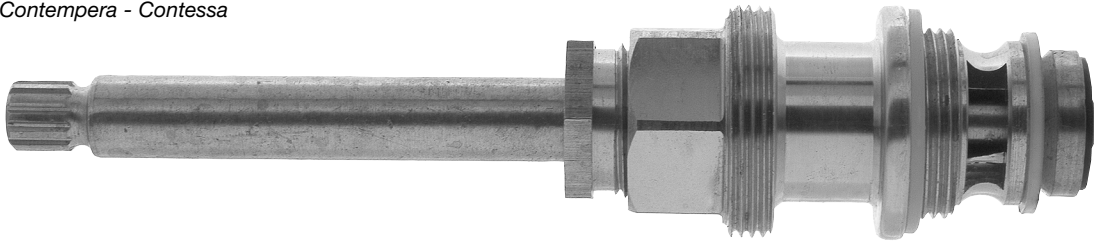
FAUCET STEMS

PICTURE PERFECT REPLACEMENT FAUCET STEMS FOR...

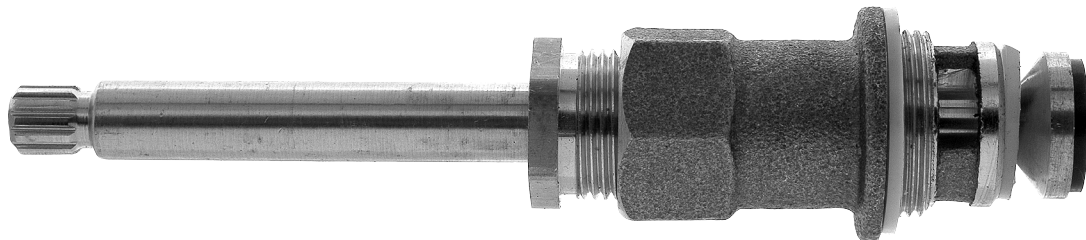
PFISTER

BATH 01-010 to 01-380 *Contempera - Contessa*

12H-4/18



**12H-4D
15718B**



**12H-18D
17328B**

Description	ID#	Stock#
Diverter Stem	12H-4D	15718B (bonnet with thread)
Diverter Stem	12H-18D	17328B (bonnet less thread)
220 SE Stem Extension (3 Pieces)		17903
Seat	38	30037B
Washers	3/8L Flat	35068B
Diverter Washer	16	35692B
Gasket	22	35560B
Packing	44	35200B
Stem Screw	16	35153B
Handle Screw	38	35639B
Complete Repair Kit		124166

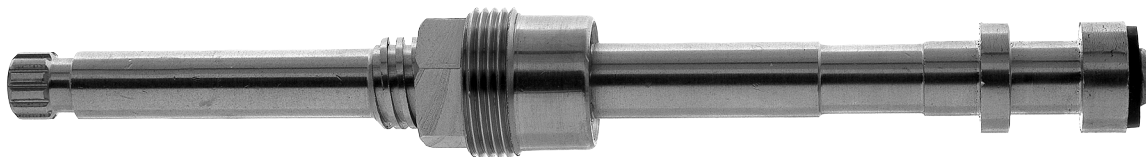


88085

PFISTER

LAVATORY 49-110, 49-120, 49-220

12H-6

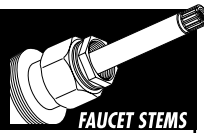


Description	ID#	Stock#
Hot/Cold Stem	12H-6H/C	17163E
Seat	39	30038E
Washer	00 Flat	35062B
"O" Ring	8	35725B
Gaskets	38	35573B
Stem Screw	16	35153B
Handle Screw	45	35646B
Complete Repair Kit		—



88262

FAUCET STEMS

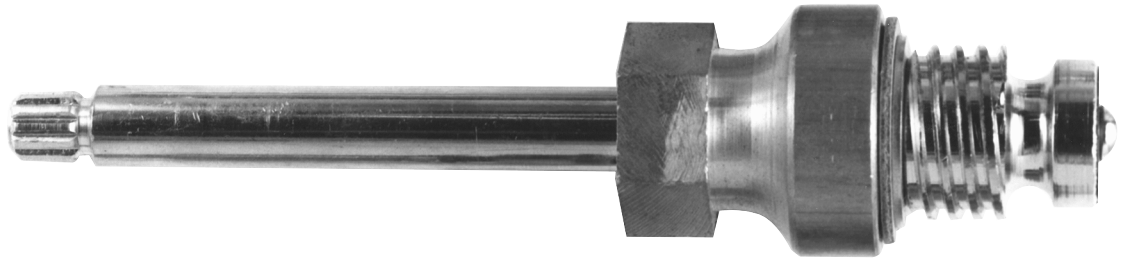


PICTURE PERFECT REPLACEMENT FAUCET STEMS FOR...

UNIVERSAL BRASS

12H-7

BATH
SHOWER



Description	ID#	Stock#
Hot/Cold Stem	12H-7H/C	17273B
Seat	None	—
Washer	3/8L Flat	35068B
Packing	91	35227B
Stem Screw	4	35141B
Handle Screw	48	35649B
Complete Repair Kit	—	—

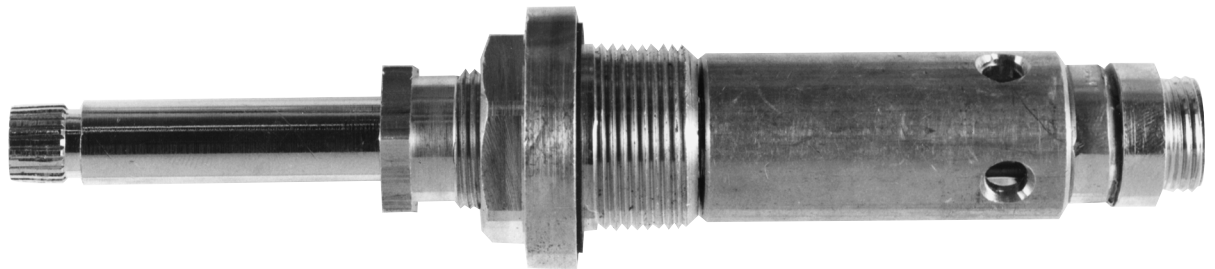
UNIVERSAL

Use Danco Universal Fit Handle

AMERICAN STANDARD

12K-1/2

BATH Transfer Valve Fitting (Prior to 4100 Series)



Description	ID#	Stock#
Diverter Stem	12K-1D	17159B
Diverter Stem	12K-2D	15010B (with bonnet)
Seat	131	—
Gasket	9	35551B
Packing	31	35194B
Handle Screw	45	35646B
Complete Repair Kit	—	—

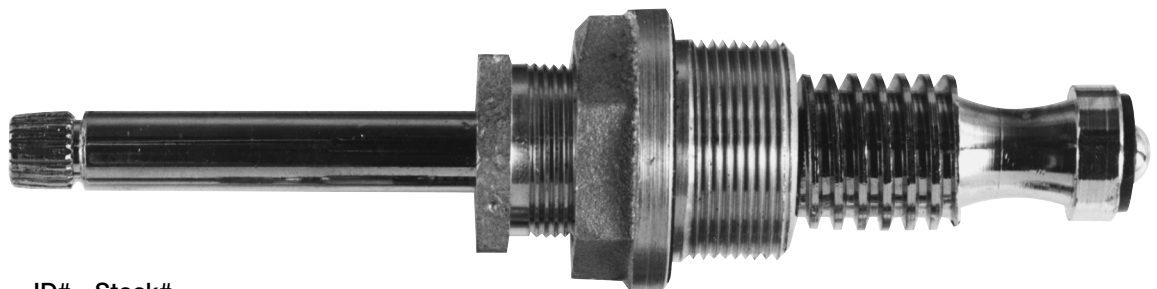
UNIVERSAL

Use Danco Universal Fit Handle

AMERICAN STANDARD

12K-6

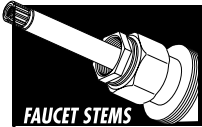
BATH Old Style



Description	ID#	Stock#
Hot/Cold Stem	12K-6H/C	17158B
Seat	37104	—
Washer	3/8M Flat	35067B
Gasket	10	35552B
Packing	87	35223B
Stem Screw	16	35153B
Handle Screw	45	35646B
Complete Repair Kit	—	—

UNIVERSAL

Use Danco Universal Fit Handle



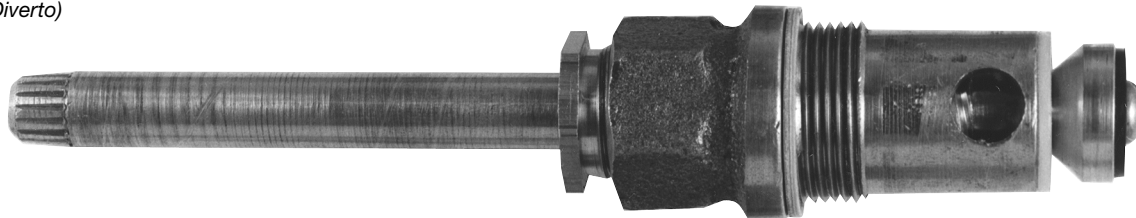
FAUCET STEMS

PICTURE PERFECT REPLACEMENT FAUCET STEMS FOR...

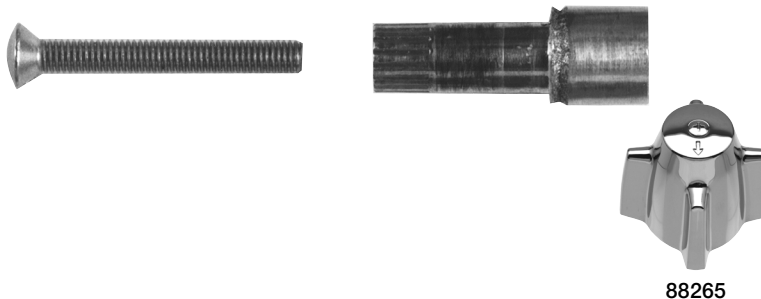
CENTRAL BRASS

BATH 9818 Series (*Diverto*)

12L-1



Description	ID#	Stock#
Diverter Stem	12L-1D	15100B
Seat	72	
Washer	3/8 Flat	35066B
Diverter Washer	9	
Gasket	2	35544B
Packing	95	35231B
Stem Screw	16	35153B
Handle Screw	34	35636B
Complete Repair Kit		—

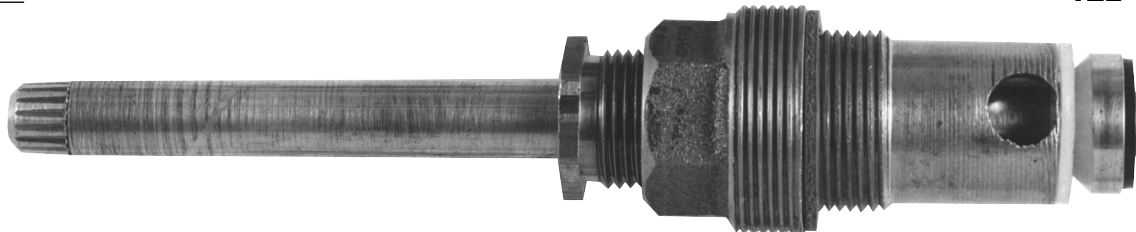


88265

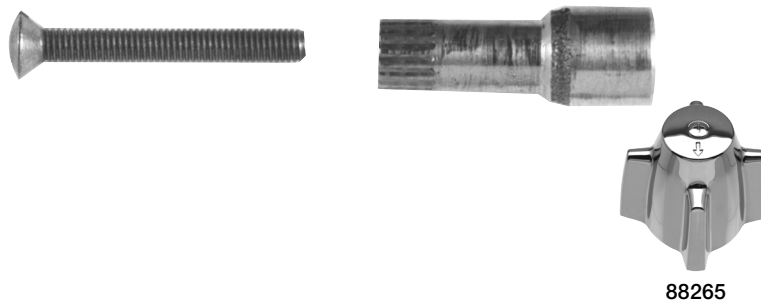
CENTRAL BRASS

BATH 5868, 6868

12L-3



Description	ID#	Stock#
Diverter Stem	12L-3D	17162B
Seat	5	30004E
Washer	3/8M Flat	35067B
Diverter Washer	9	35686B
Gasket	2	35544B
Packing	95	35231B
Stem Screw	16	35153B
Handle Screw	35	35637B
Complete Repair Kit		—

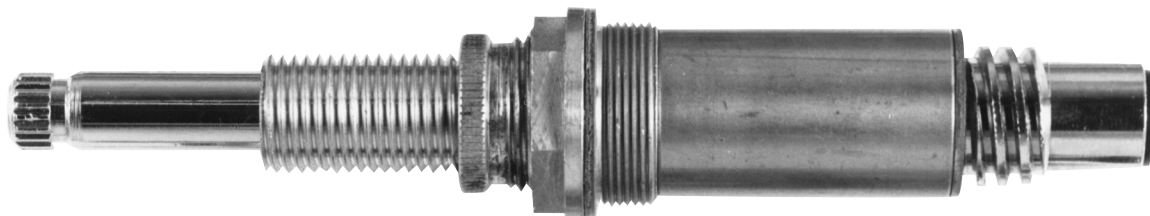


88265

KOHLER

BATH K7030, K7100, K7240

12N-3

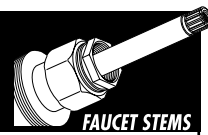


Description	ID#	Stock#
Hot/Cold Stem	12N-3H/C	15174B
Seat	4	
Washer	00 Flat	35062B
Gasket	2	35544B
Packing	44	35200B
Stem Screw	5	35142B
Handle Screw	42	35643B
Complete Repair Kit		—



Use Danco Universal Fit Handle

FAUCET STEMS

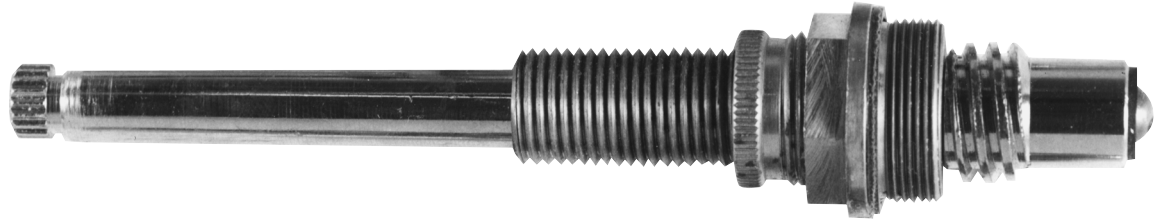


PICTURE PERFECT REPLACEMENT FAUCET STEMS FOR...

KOHLER

SINK K-8630

12N-5



Description	ID#	Stock#
Hot Stem	12N-5H	
Cold Stem	12N-5C	
Seat	3	
Washer	00 Flat	35062B
Gaskets	2	35544B
Packing	44	35200B
Stem Screw	5	35142B
Handle Screw	42	35643B
Complete Repair Kit		—

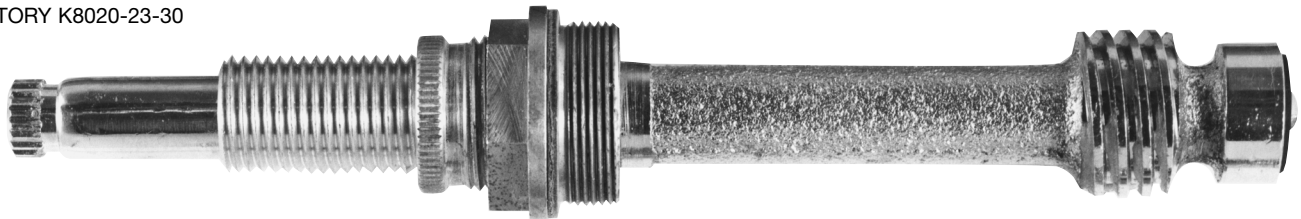


Use Danco Universal Fit Handle

KOHLER

LAVATORY K8020-23-30

12N-7



Description	ID#	Stock#
Cold Stem	12N-7H/C	
Seat	53	
Washer	3/8 Flat	35066B
Gaskets	2	35544B
	36	35571B
Packing	44	35200B
Stem Screw	5	35142B
Handle Screw	42	35643B
Complete Repair Kit		—

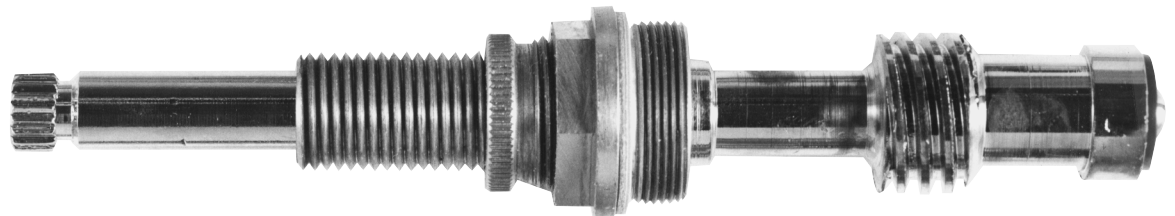


Use Danco Universal Fit Handle

KOHLER

BATH *Old Style* (Prior to 1941)

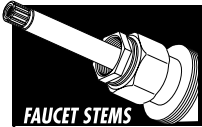
12N-11



Description	ID#	Stock#
Hot/Cold Stem	12N-11H/C	15176B
Seat	4	
Washer	3/8 Flat	35066B
Gasket	2	35544B
Packing	44	35200B
Stem Screw	5	35142B
Handle Screw	42	35643B
Complete Repair Kit		—



Use Danco Universal Fit Handle

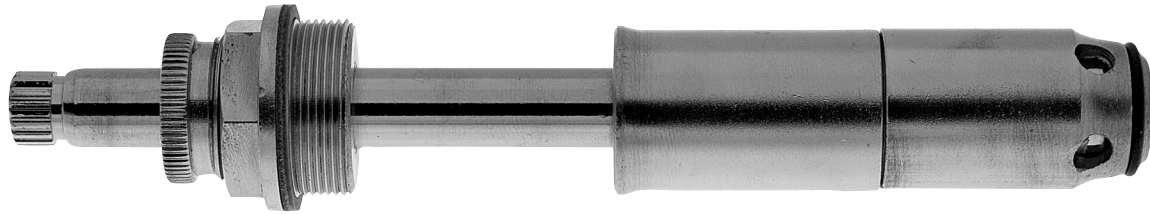


FAUCET STEMS

PICTURE PERFECT REPLACEMENT FAUCET STEMS FOR...

KOHLER

12N-13H/C



Description	ID#	Stock#
Hot/Cold Stem 12N-13H/C		05139B
Top Bibb Ring	10	35349
Gasket	2	35544B
Spacer	—	17832
Washer	0 Flat	35063B
Packing	210	36630B
Sleeve	—	15145E
Bibb Washer	0	35063B
Bibb Screw	4	35141B
Complete Repair Kit		124156

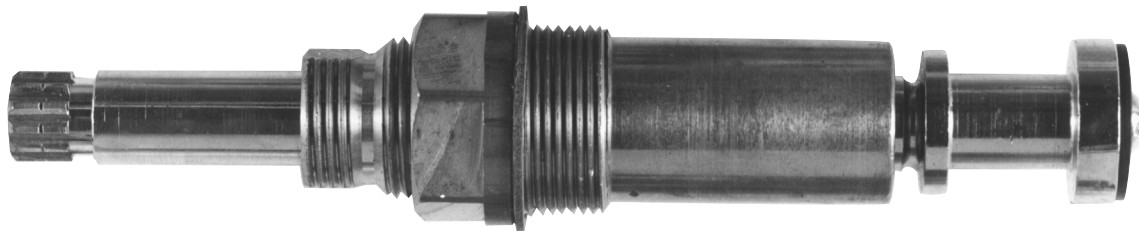


Use Danco Universal Fit Handle

CRANE

12Z-1

LAVATORY No. 1 Line



Description	ID#	Stock#
Hot/Cold Stem 12Z-1H/C		
Handle Adapter	None	—
Seat	36	
Washer	5/8 Flat	35071B
Packing	95	35231B
Stem Screw	16	35153B
Complete Repair Kit		—

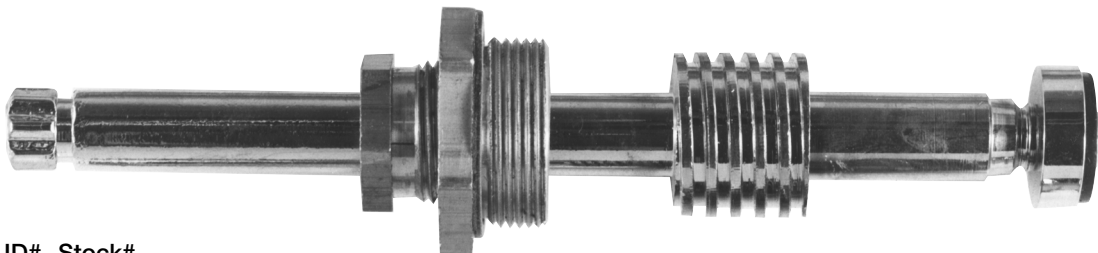


Use Danco Universal Fit Handle

BRIGGS REPUBLIC

12Z-2

BATH 1170, 1200, 1224, 1230

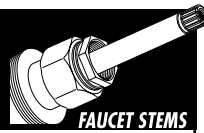


Description	ID#	Stock#
Hot/Cold Stem 12Z-2H/C		15406B
Handle Adapter	None	—
Seat	11	
Washer	3/8L Flat	35068B
Gasket	22	35560B
Packing	95	35231B
Stem Screw	4	35141B
Complete Repair Kit		—



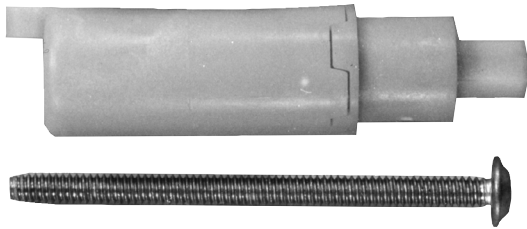
Use Danco Universal Fit Handle

FAUCET STEMS



STEM EXTENSIONS

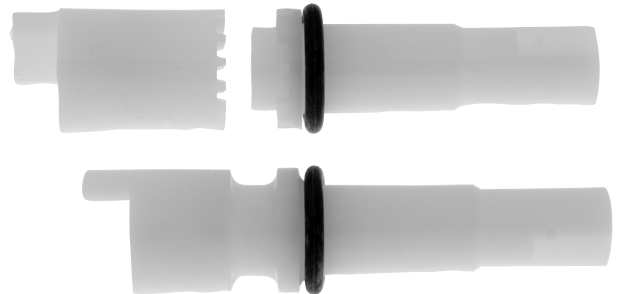
DELTA



<u>Stk. No.</u>	<u>Description</u>
18026B	1110SE Stem Extension
29078 (Bagged)	2 per Bag
88208 (Carded)	1 per Card

MOEN / STANADYNE

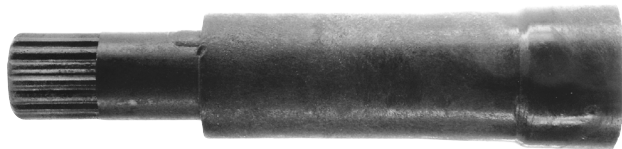
Fits stem ID 6S-1, 6S-6



<u>Stk. No.</u>	<u>Description</u>
18056	1013SE Stem Extension

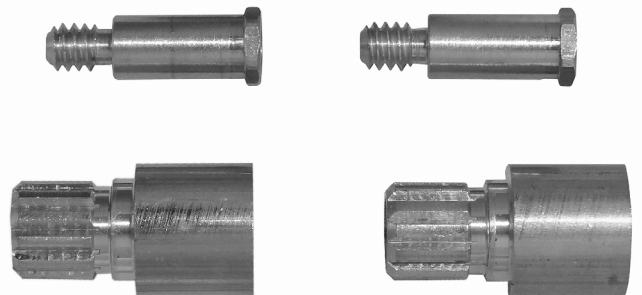
NIBCO

Fits stem ID 6J-2



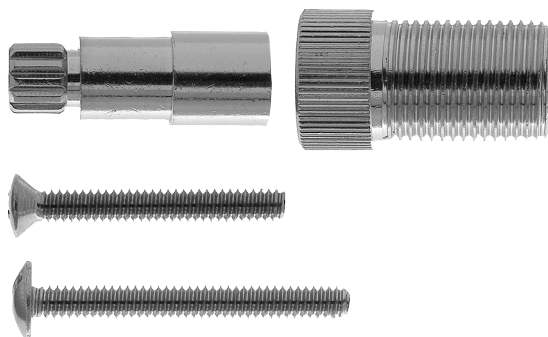
<u>Stk. No.</u>	<u>Description</u>
18030B	1112SE Stem Extension

PFISTER



<u>Stk. No.</u>	<u>Description</u>
10348SE	10348SE Stem Extension

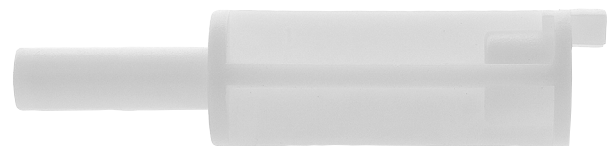
PFISTER



<u>Stk. No.</u>	<u>Description</u>
17903	220SE Stem Extension

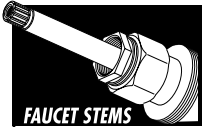
VALLEY

Fits Stems ID 3Z-6H, 3Z-6C



18067
for Stem ID 3Z-6C

<u>Stk. No.</u>	<u>Description</u>
18067	White Stem Extension (Cold)
18068	Black Stem Extension (Hot)



FAUCET STEMS

PICTURE PERFECT FAUCET STEM REPAIR KITS

Stk. No.	Brand	Repairs Stem I.D. No.	Stk. No.	Brand	Repairs Stem I.D. No.
80262	American Standard	9C-23, 24, 11C-3, 4 (<i>Less Seats</i>)	80291	Pfister	12H-4, 5 (<i>Less Seats</i>)
80410	American Standard	2K-1, 2 (<i>Less Seats</i>)	80359	Pfister	3H-8 (<i>Seat Washer</i>)
80413	American Standard	2C-14	124162	Pfister	9H-1, 2, 10I-7, 8, 9, 12H-1, 2, 3
124102	American Standard	2K-2, 5K-2	124164E	Pfister	1H-1, 2H-1, 3H-2, 3I-11
124104	American Standard	9C-23, 11C-3, 12C-1	124166	Pfister	6I-4, 9H-3, 4, 10I-10, 11, 12H-4, 5, 18
			124168	Pfister	3H-8, 10H-15
			89035	Pfister	3H-10
124122	Central	11C-11, 11L-9	89045	Pfister	9H-8
80047	Chicago	6S-2, 3, 4 (<i>Repairs One Stem</i>)	124128	Repcal	12I-2, 3
80042	Crane	5A-1, 2, 3, 4	124176	Sayco	9B-3, 4, 5, 6, 10B-1, 2, 7, 8
124132	Crane	10I-1, 2, 11I-9, 10	88100	Sterling	3Z-7, 8, 14 (<i>With Seats & Springs</i>)
			124184	Sterling	10L-1, 2, 11L-11, 12
80384	Delta-Peerless	3S-1, 2 (<i>Less Seats</i>)	124198	Valley	3Z-6
88101	Delex	3S-1, 3S-2			
124134	Delta/Delex	3S-2	89021	Small Seal & Disc Kit for Ceramic Stems	
			89022	Medium Seal & Disc Kit for Ceramic Stems	
124140	Gerber	11B-1, 2	89023	Large Seal & Disc Kit for Ceramic Stems	
124144	Gerber	11B-4, 5			
88005	Milwaukee	2S-1 (<i>With Seats & Springs</i>)			

PRO-VALUE PAKS

**Look For This Package
For Special Savings**



PRO-VALUE-PAKS FOR HANDLES & REPAIR PARTS

Stk. No.	Description
25442	Handles for Pfister Windsor (5/pack)
25443	Handles for Pfister Verve (5/pack)
26953	Handle for Delta (5/pack)
26955	Tub/Shower Handles for Gerber (5/pack)
30285	Seats & Springs for Delta (50/pack)
30286	Seats & Springs for Valley (50/pack)
30297	#38 Seat for Pfister (25/pack)
30298E	#39 Seat for Pfister (25/pack)
30300	Seats & Springs for Delta (50/pack)
34441	Assorted Flat Washers (100/pack)
34442	Assorted Beveled Washers (100/pack)
34443	Assorted O-Rings Kit Box (200/pack)
34446	Repair Kit for Delta (5/pack)

PRO-VALUE-PAKS FOR STEMS

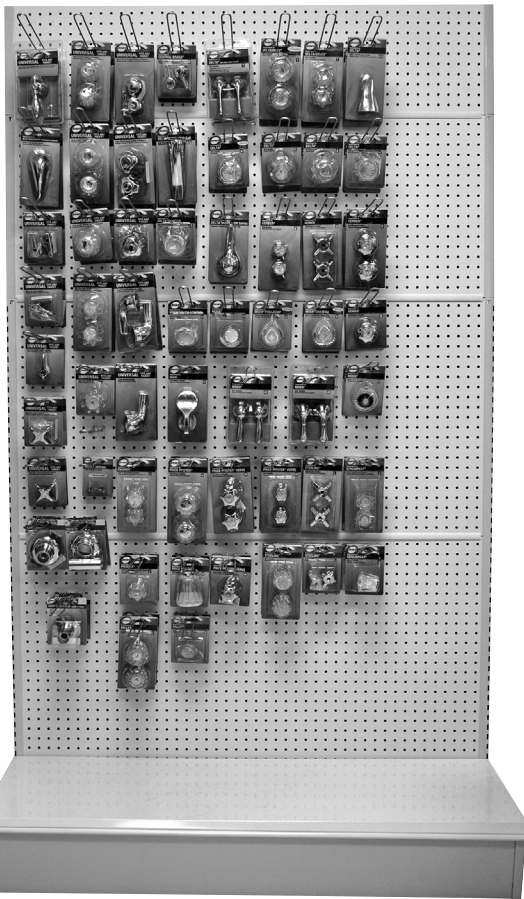
Stk. No.	Description
09982	Hot/Cold Stem for Valley 3Z-6H/C (5/pack)
09989	Hot/Cold Stem for Delta 3S-2H/C (5/pack)
09995E	Hot Stem for Gerber 1B-2H (5/pack)
09996E	Cold Stem for Gerber 1B-2C (5/pack)
09997	Hot/Cold Stem for Gerber 11B-1H/C (5/pack)
09998E	Hot/Cold Stem for Pfister 2H-1H/C (5/pack)
09999	Hot/Cold Stem for Pfister 12H-2H/C (5/pack)
34439E	Plastic Cartridge for Moen (5/pack)

HANDLE ASSORTMENTS

UNIVERSAL FAUCET HANDLE & FLANGE ASSORTMENT

DANCO's Handle Assortment replaces over 97% of all single and double handle faucets in just 3' Included is DANCO's fit-all bath flange in two styles, which will fit almost any stem with a packing nut To round out the assortment, DANCO has added the most popular OEM-Style handles for both double and single handle faucets

Gondola Not Included



Product Stk. No.	Description
19171	3' "Ready-Fit" Handle & Flange Assortment <i>Includes OEM Style Handles</i>
37899	Handle Adapters in Kit

BRAND SPECIFIC TYPE HANDLE ASSORTMENTS

DANCO's own stylized replacements for the most popular OEM handles

- The Handles are Very Popular with the Professional As Well As With The Do-It-Yourselfer Looking For the Exact Fit
- "Master" OEM Handle Display Is Designed For Those with a Contractor Based Clientele
- Replacement Handles Available For:
American Standard, Delta/Delex, Gerber, Pfister, Sayco, Sterling & Valley

Gondola Not Included



Stk. No.	Description
80511	4' Master OEM Handle Assortment



HANDLES

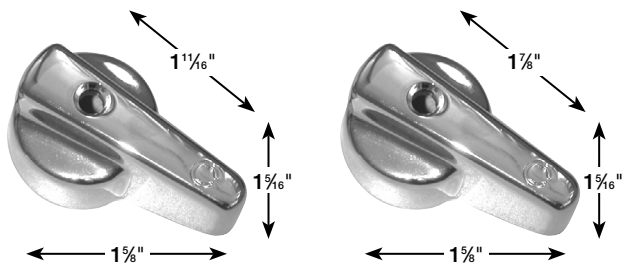
UNIVERSAL REPLACEMENT HANDLES

UNIVERSAL REPLACEMENT HANDLES FOR USE WITH DANCO HANDLE ADAPTERS

Just identify the correct handle adapter and select the handle that suits your need!

Our universal Replacement Handles are available both bagged and on a card!

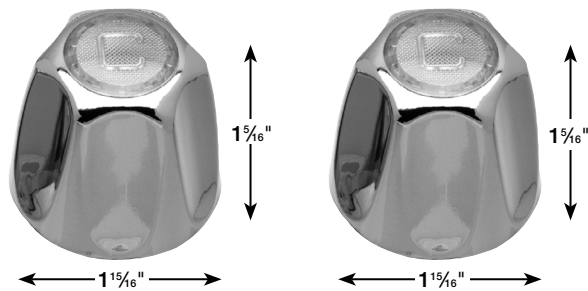
CANOPY LEVER STYLE



Carded with Adapter

Stk. No.	Description	Overall Height Base	
		2 1/2" Center of Hole to Tip	3" Tip to Tip
80837	Small Canopy Lever Pair – Hot & Cold	1 5/16"	1 5/16"
80838	Large Canopy Lever Pair – Hot & Cold	1 5/16"	1 5/16"
80839	Large Canopy Lever Diverter	1 5/16"	1 5/16"

CANOPY STYLE



Carded with Adapter

Stk. No.	Description	Overall Height Base	
		2 1/2" Center of Hole to Tip	3" Tip to Tip
80842	Medium Canopy Pair – Hot & Cold	1 5/16"	1 15/16"
80843	Medium Canopy Diverter	1 5/16"	1 15/16"

OUTDOOR FAUCET HANDLE

- Snap – on 3/8" extension skirt
- Accepts three prong universal handle adapter



Carded

Stk. No.	Description
10006	Outdoor Faucet Handle

KITCHEN LEVER HANDLE

- Chrome



Carded

Stk. No.	Description
10421	Chrome Lever Handle

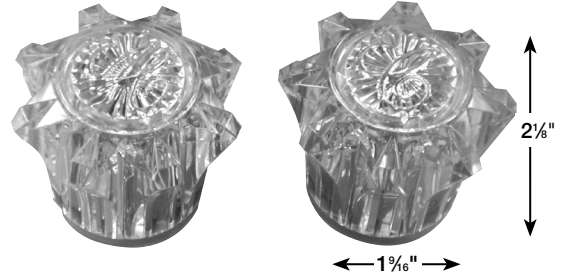
HANDLES



UNIVERSAL & DECORATOR REPLACEMENT HANDLES

UNIVERSAL VISE GRIP ACRYLIC HANDLES

- Slotted set screw design allows for a proper fit on most kitchen & lavatory faucets

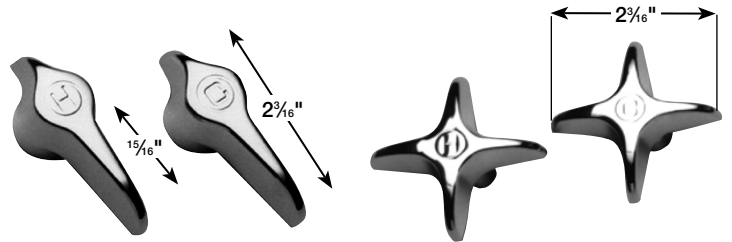


Stk. No.	Description
----------	-------------

88889	Pair of Handles – Hot & Cold
80024	Diverter

REPLACEMENT VISE GRIP HANDLES

- NOTE:** All vise grip handles are packed in pairs, whether ordering bulk or carded.

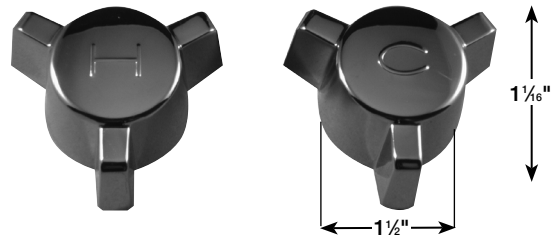


Carded

Stk. No.	Description
----------	-------------

88516	Lever Handles – Pair
80026	Lever Handle Diverter
88517	Cross Arm Handles – Pair
80025	Cross Arm Handle Diverter

CANOPY VISE GRIP HANDLES

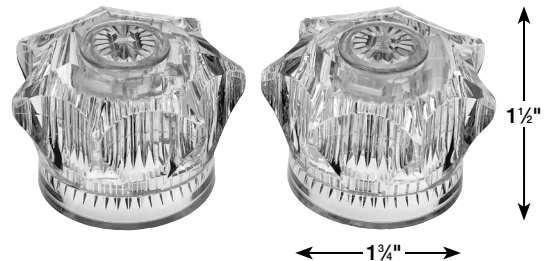


Stk. No.	Description
----------	-------------

88797	Pair of Handles – Hot & Cold
-------	------------------------------

CLEAR HANDLES W/ REMOVABLE SKIRT

- Snap – on 3/8" extension skirt
- Accepts three prong universal handle adapter



Carded

Stk. No.	Description
----------	-------------

88172	Pair of Handles – Hot & Cold
-------	------------------------------



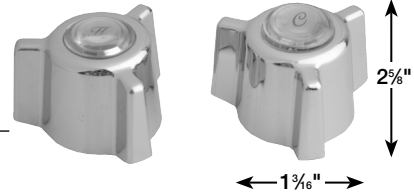
HANDLES

HANDLES

DIRECT - FIT HANDLE INDEX & STYLE

METAL SHOWER & WIDE LAVATORY

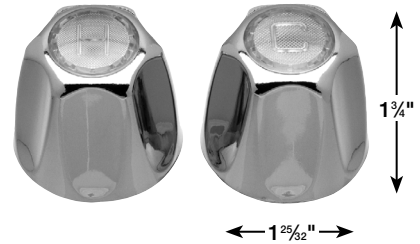
Cross Canopy Style



Stock Number	Fits the Following Manufacturers
46501, 46521 (DIV)	I 1 ARROWHEAD (short stem lavatory), CRANE/REPCAL – Riv. & Crestm. Sh., Pfister – Crown Imp. Only, HARCRAFT
46551, 46561 (DIV)	H 1a ARROWHEAD – Shower, Pfister – All
46502, 46522 (DIV)	K 2 AMERICAN STANDARD Aquaseal – Tractline – Heritage
46503, 46533 (DIV)	M/L 3 STERLING/ROCKWELL SCHIABLE (O.S.)
46504, 46524 (DIV)	C 4 ROYAL BRASS, DICK BROS., ELJER, BURLINGTON, SEARS, AMERICAN STANDARD (Colony), KOHLER – Shoreham & Trend Only, BARNES WESTERN (O.S.) YOUNGSTOWN KITCHEN (O.S.) MILWAUKEE/U.R. Uniline (Econ.), CENTRAL BRASS
46505, 46535 (DIV)	N 5a KOHLER – All Except Trend, Shoreham & Aquaric
46509, 46529 (DIV)	B 9 GERBER, SAYCO
46512, 46525 (DIV) Splined broach fits: Richmond, Briggs, Belvedere, Borg Warner 47213	E 12 INDIANA BRASS, GOPHER/UNION BRASS, RICHMOND/RHEEM, BRIGGS, BELVEDERE, BORG WARNER
	J 13 AMERICAN BRASS, NIBCO, STREAMWAY, MANSFIELD

METAL ROUND 4" LAVATORY & KITCHEN

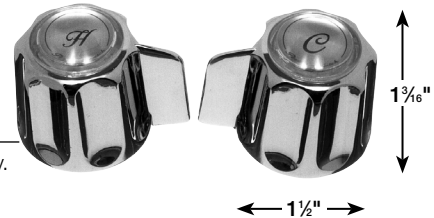
Round Canopy Style



Stock Number	Fits the Following Manufacturers
46304	C 4 ROYAL BRASS, DICK BROS., ELJER, BURLINGTON, SEARS, AMERICAN STANDARD (Colony), KOHLER – Shoreham & Trend Only, BARNES WESTERN (O.S.) YOUNGSTOWN KITCHEN (O.S.) MILWAUKEE/U.R. Uniline (Econ.), CENTRAL BRASS

METAL LEVER 4" LAVATORY & KITCHEN

Lever Canopy Style



Stock Number	Fits the Following Manufacturers
46101	I 1 ARROWHEAD (short stem lavatory), CRANE/REPCAL – Riv. & Crestm. Sh., Pfister – Crown Imp. Only, HARCRAFT
46121	H 1a ARROWHEAD – Shower, Pfister – All
46102	K 2 AMERICAN STANDARD Aquaseal – Tractline – Heritage
46104	C 4 ROYAL BRASS, DICK BROS., ELJER, BURLINGTON, SEARS, AMERICAN STANDARD (Colony), KOHLER – Shoreham & Trend Only, BARNES WESTERN (O.S.) YOUNGSTOWN KITCHEN (O.S.) MILWAUKEE/U.R. Uniline (Econ.), CENTRAL BRASS
46125	N 5a KOHLER – All Except Trend, Shoreham & Aquaric
46112 Splined broach fits: Richmond, Briggs, Belvedere, Borg Warner 46113	E 12 INDIANA BRASS, GOPHER/UNION BRASS, RICHMOND/RHEEM, BRIGGS, BELVEDERE, BORG WARNER
	J 13 AMERICAN BRASS, NIBCO, STREAMWAY, MANSFIELD

HANDLES



UNIVERSAL DECORATOR & DESIGNER HANDLES

SMALL ACRYLIC HANDLES

Kitchen, Lavatory

- Includes "Universal" adapters and spacers to fit most faucets



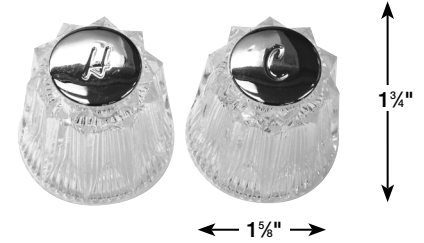
Stk. No.	Description
80010	Pair – Hot & Cold



Use Danco Universal Fit Handle

SMALL ACRYLIC HANDLES – 10 PT.

Pfister Windsor Style



Stk. No.	Description
88444	Pair – Hot & Cold
88721	Diverter



Use Danco Universal Fit Handle

LARGE ACRYLIC HANDLES

Tub & Shower

- Includes "Universal" adapters and spacers to fit most faucets



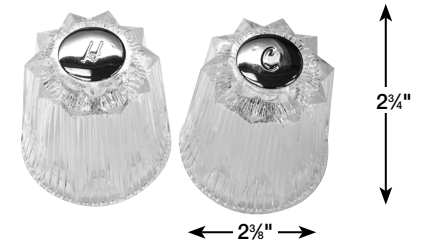
Stk. No.	Description
80014	Pair – Hot & Cold
80015	Diverter



Use Danco Universal Fit Handle

LARGE ACRYLIC HANDLES – 10 PT.

Pfister Windsor Style



Stk. No.	Description
88445	Pair – Hot & Cold
88446	Diverter
89283	w/ H, C, D buttons – BN



Use Danco Universal Fit Handle

SMALL METAL HANDLES

Kitchen, Lavatory

- Includes "Universal" adapters and spacers to fit most faucets



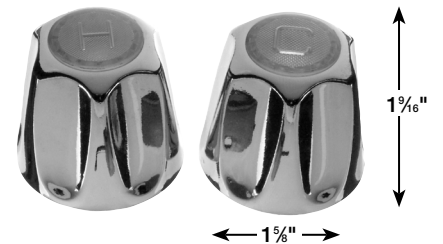
Stk. No.	Description
80016	Pair – Hot & Cold



Use Danco Universal Fit Handle

SMALL METAL CANOPY HANDLES – 6 PT.

Pfister Verve Style



Stk. No.	Description
88449	Pair – Hot & Cold
88722	Diverter



Use Danco Universal Fit Handle



HANDLES

UNIVERSAL DECORATOR & DESIGNER HANDLES

LARGE METAL CANOPY HANDLES

Tub & Shower

- Includes "Universal" adapters and spacers to fit most faucets



Stk. No.	Description
80019	Pair - Hot & Cold
80020	Diverter

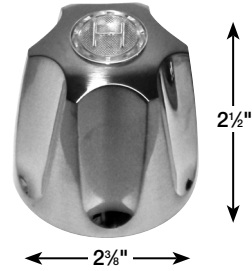


Use Danco Universal Fit Handle

LARGE METAL HANDLE - 6 PT.

Pfister Verve Style

- Brushed Nickel finish



Stk. No.	Description
89282	w/ H, C, D buttons



Use Danco Universal Fit Handle

DECORATIVE LEVER HANDLE

Kitchen, Lavatory, Tub & Shower

- Includes "Universal" adapters and spacers to fit most faucets



Stk. No.	Description
80021	Pair - Hot & Cold



Use Danco Universal Fit Handle

ERGO LEVER HANDLES

Kitchen, Lavatory, Tub & Shower

- Includes "Universal" adapters and spacers to fit most faucets



Stk. No.	Description
80022	Pair - Hot & Cold
80023	Diverter



Use Danco Universal Fit Handle

CHROME LEVER HANDLE

Kitchen, Lavatory, Tub & Shower

- Includes "Universal" adapters and spacers to fit most faucets



Stk. No.	Description
10423	Chrome w/ H, C, D buttons



Use Danco Universal Fit Handle

FIT - ALL DESIGNER HANDLES

All designer handles are packed 1 per clam shell with a variety of the most popular handle bushings, a universal handle bushing, handle screws and an allen wrench.



Lever Handle



Cross Handle

Stk. No.	Description
46010	Chrome Lever Handle/White Tip
46030	Polished Brass Lever Handle/White Tip
46012	Chrome Lever Handle/Metal Tip
46004	Chrome Cross Handle/White Tip
46006	Chrome Cross Handle/Metal Tip
89253	Lever Handle, PVD, Brushed Nickel
89255	Cross Handle, PVD, Brushed Nickel
89419	Lever Handle, Oil Rubbed Bronze

HANDLE ADAPTERS

DANCO HANDLE ADAPTERS

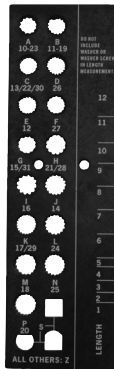
There is no need to stock hundreds of different styles of handles made by the many different faucet manufacturers in the plumbing industry.

DANCO offers you a complete line of replacement handles, from sturdy metal handles to luxurious decorator handles, designed for use with a full line of handle adapters.

These handle adapters, made of durable "Celcon®", fit virtually any stem broach existing on the market today and are easy to use. Whether your customer has his old stem or his old handle or nothing at all, Danco's Handle Adapter System will allow him to purchase replacement handles that will fit his faucet as well as the original handles did!

DANCO includes both male and female identification gauges with every handle adapter assortment.

If the old stem is available, use the female identification gauge:



1. Insert handle end of stem into proper hole to determine adapter required.
2. Select handle style and screw required.

If the old handle is available, use the male identification gauge:



1. Insert handle onto stem danglers until proper fit is obtained.
2. Select handle style and screw required.

Stk. No.	Description
80567	Stem I.D. Gauge
25701	Male Handle Identification Gauge

DANCO UNIVERSAL HANDLE ADAPTERS

This specially designed insert with unique three – point contact provides superior locking to all stems, regardless of size, configuration or damaged condition. Eliminates stocking large handle inventories, thus saving you money invested in needless stock!

Remove old handle... place handle adapter over stem... thread handle screw into adapter and stem... tighten set screws on adapter... unthread handle screw... place handle on stem and adapter and tighten with handle screw.

If the old stem and the old handle are not available, use DANCO's Universal Set Screw Adapter and select the handle style and screw required.



Universal Adapter

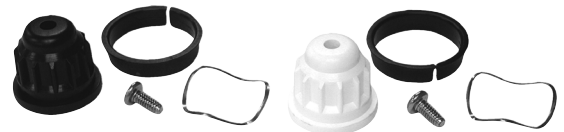


Three Prong Universal Adapter

Carded Stk. No.	Description
80654	Universal Handle Adapter w/Allen Wrench

MOEN

- For Monticello® 2 – Handle lavatory and bar faucets with a 4" centerset



Carded Stk. No.	Description
88868	Handle Adapter Kit for Moen



HANDLES

HANDLE ADAPTERS

DANCO'S UNIVERSAL HANDLE ADAPTERS

#	Description	Fits	PP ID#	Kit	Carded 2/card
10	Handle adapters	Crane & Repcal	A	24110K - 12/kit	
11	Handle adapters	Sayco	B	24111K - 12/kit	
12	Handle adapters	Belvedere, Borg - Warner, Briggs, Indiana Brass, Rheem - Richmond, Union - Gopher & Wards	E	24112K - 12/kit	80638
13	Handle adapters	Barnes - Western, Burlington Brass, Central, Eljer, Kohler & Royal Brass	C	24113K - 12/kit	
14	Handle adapters	American Brass, Briggs, Dishmaster, Jameco & Streamway	J	24114K - 12/kit	
15	Handle adapters	Harcraft, Pfister	G	24115K - 12/kit	
16	Handle adapters	Arrowhead, Bradley, Elkay, Federal Huber, Grand Haven, Hodes, Milwaukee, Powers, Rheem, Sears & Universal - Rundle, Pfister	I	24116K - 12/kit	
17	Handle adapters	American Standard, Speakman	K	24117K - 12/kit	
18	Handle adapters	Crosley, Mansfield, Streamway & Youngstown	M	24118K - 12/kit	
19	Handle adapters	Gerber & Sayco	B	24119K - 12/kit	
20	Handle adapters	Speakman - Kent	P	24120K - 12/kit	
21	Handle adapters	Crane, Pfister, Repcal	H	24121K - 12/kit	
22	Handle adapters	American Standard, Colony	C	24122K - 12/kit	
23	Handle adapters	Crane (Dial - Ese), Kel - Win	A	24123K - 12/kit	
24	Handle adapters	Barnes - Western, Dick Brothers, Hajoca, Sterling	L	24124K - 12/kit	80646
25	Handle adapters	Kohler	N	24125K - 12/kit	
26	Handle adapters	American Standard (5/8" Shank)	D		
27	Handle adapters	Michigan Brass, Savoy	F		
28	Handle adapters	Crane, Pfister & Repcal	H		
29	Handle adapters	American Standard (7/8" Shank)	K	24129K - 12/kit	
30	Handle adapters	American Standard, Burlington, Central, Crane - Repcal, Eljer, Kohler, Milwaukee, Youngstown	C	24130K - 12/kit	
31	Handle adapters	Arrowhead, Harcraft	G		
35	Handle adapters	Chicago - Brass	-		
36	Handle adapters	Delex	-	24105K - 9/kit	
37	Handle adapters	Valley	-	24104K - 9/kit	
38	Handle adapters	Stanadyne	-		
39	Handle adapters	Milwaukee, Universal - Rundle	-		
40	Handle adapters	Chicago	-		
41	Handle adapters	Delta	-		
	Universal adapters				80654

REPLACEMENT KIT FOR HANDLE ADAPTERS

- Complete range of sizes
- Lid insert illustrates each item for easy positive identification

Universal handle adapter included

Kit box constructed of heavy gauge metal



Stk. No.	Description
37899	22 Sizes, 132 Total Pieces

HANDLES



REPLACEMENT HANDLE SCREWS

All Drawings are Actual Size

Description	Type	1/Bag	Kit
#34 Handle Screw	3/8" x 10 – 32 Oval Head	35636B	
#38 Handle Screw	1/2" x 10 – 24 Oval Head	35639B	
#45 Handle Screw	1/2" x 10 – 24 Truss Head	35646B	
#46 Handle Screw	1/2" x 8 – 32 Binding Head	35647B	
#48 Handle Screw	1/2" x 8 – 32 Oval Head	35649B	
#51 Handle Screw	3/4" x 10 – 24 Oval Head	35652B	35652 – 12/KIT
#53 Handle Screw	1" x 10 – 24 Oval Head	35654B	
#57 Handle Screw	3/4" x 10 – 32 Oval Head	35658B	
#58 Handle Screw	3/4" x 8 – 32 Oval Head	35659B	

DESCRIPTION OF HEAD TYPES



Oval



Truss

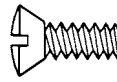


Binding

CAN BE CUT OFF TO DESIRED LENGTH



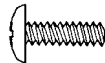
34



38



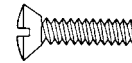
45



46



48



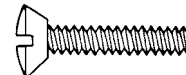
51



53



57



58

REPLACEMENT KITS FOR HANDLE SCREWS



88354



88356



88355

Handle Screws for American Standard, Gerber & Pfister
(Contains: (2) #35639 & (2) #35646
Carded Stk. No. 88354

Handle Screws for Central, Sayco & Sterling
(Contains: (2) #35636, (2) #35657 & (2) #35141
Carded Stk. No. 88355

Handle Screws (Assorted)
(Contains: (2) #35639, (2) #35652, (2) #35646, (2) #35659 & (2) #35658
Carded Stk. No. 88356



HANDLES

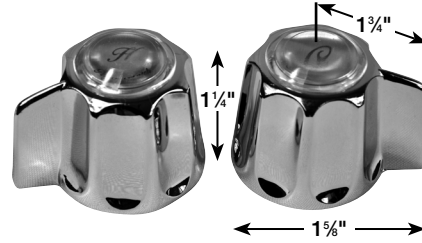
HANDLES

HANDLE REPAIRS FOR...

AMERICAN BRASS

OEM STYLE

- Kitchen, Lavatory
- Also fits Mobile Home



J

Carded

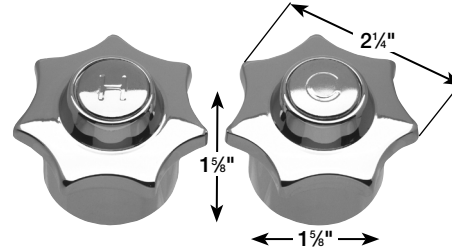
Stk. No.	Description
----------	-------------

88166	Pair
-------	------

AMERICAN STANDARD

OEM Style

- Fits Heritage™ Tub & Shower



K

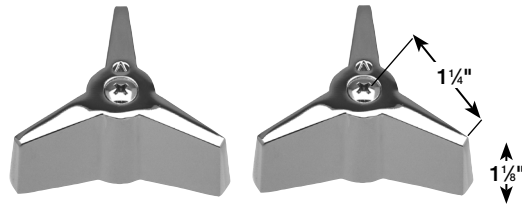
Bagged Stk. No.	Carded Stk. No.	Description
-----------------	-----------------	-------------

	88080	Pair
20174	88079	Diverter
	46495	Contains: 1 Handle & 1 Each H, C & D Buttons
26617B		218 H Index Button
26618B		219 C Index Button

AMERICAN STANDARD

OEM STYLE

- Fits Colony™ Bath



C

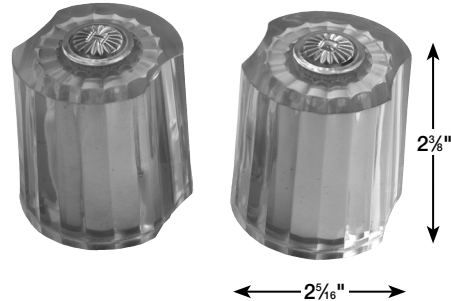
Bagged Stk. No.	Carded Stk. No.	Description
-----------------	-----------------	-------------

	88432	Pair
	88508	Diverter
35649B	—	48 Handle Screw

AMERICAN STANDARD

OEM Style Acrylic

- Fits Tub & Shower Cadet™



C

Bagged Stk. No.	Description
-----------------	-------------

20443	Pair
35652B	51 Handle Screw

AMERICAN STANDARD

- Single Lever
- Kitchen, Lavatory



Stk. No.	Description
----------	-------------

10419	Single
-------	--------

HANDLES



HANDLE REPAIRS FOR...

AMERICAN STANDARD

- Lavatory Cadet™



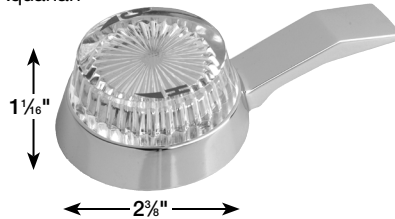
Stk. No. Description

10422 Quarter-turn Handles Pair

AMERICAN STANDARD

Single Handle Style

- Lavatory, Tub & Shower – Aquarian™



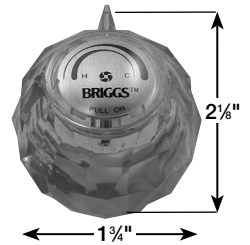
Bagged
Stk. No.

30605

BRADLEY-COLE / BRIGGS / SAYCO

Single Handle Style

- Lavatory, Tub & Shower



Carded

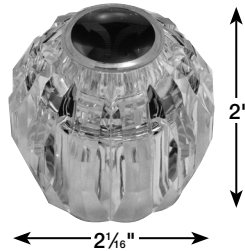
Stk. No. Description

88423 300 – 144 Handle

CAREFREE

Single Handle Style

- Lavatory



Bagged

Stk. No. Description

31840 Handle

CATALINA

Acrylic

- Lavatory



Bagged

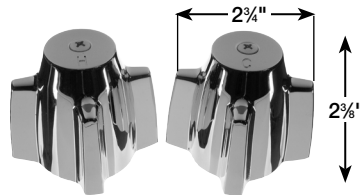
Stk. No. Description

10650 Pair

CENTRAL BRASS

OEM Style

- Tub & Shower



Carded

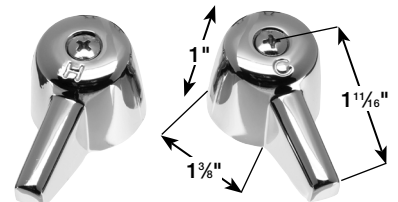
Stk. No. Description

88264 Pair
88265 Diverter

CENTRAL BRASS

OEM Style

- Kitchen, Lavatory



Carded

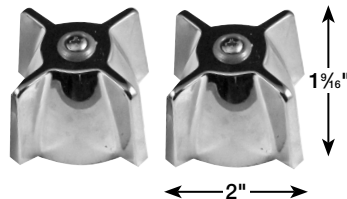
Stk. No. Description

80401 Pair

CRANE

OEM STYLE

- Tub & Shower – Riviera™



Bagged

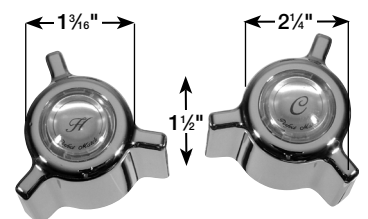
Stk. No. Description

20425 Pair 1/2" Broach
35659B 58 Handle Screw

CRANE

OEM STYLE

- Fits Kitchen & Lavatory



Carded

Stk. No. Description

88089 Pair



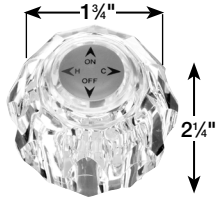
HANDLES

HANDLES

HANDLE REPAIRS FOR...

DANCO

Single Handle Style
 • Lavatory & Bath
 • Fits #70 Ball Faucets

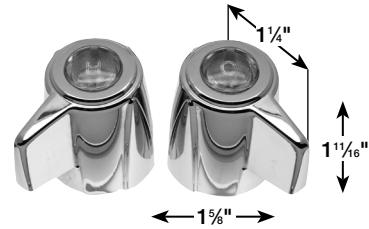


Carded Stk. No.	Description
88453	Handle

Q

DELTA (DELEX)

OEM Style
 • Kitchen, Lavatory



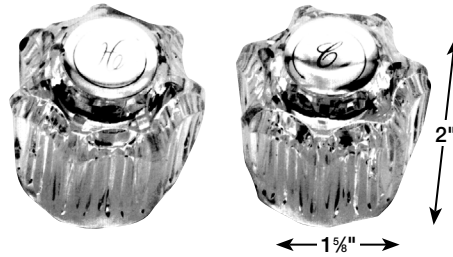
Bagged Stk. No.	Carded Stk. No.	Description
35153B	88048	Pair 16 Handle Screw (Bibb)

T

DELTA (DELEX)

OEM Style Clear Acrylic
 • Kitchen, Lavatory

Bagged Stk. No.	Carded Stk. No.	Description
—	88049	Pair
35153B		416 Handle Screw (Bibb)
26021B		226H Index Button – Hot
26022B		227H Index Button – Cold

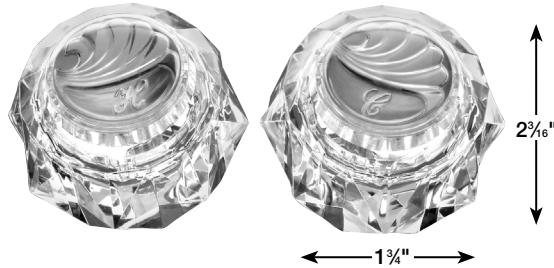


T

DELTA (DELEX)

OEM Style NEW STYLE
 • Kitchen, Lavatory, Tub & Shower

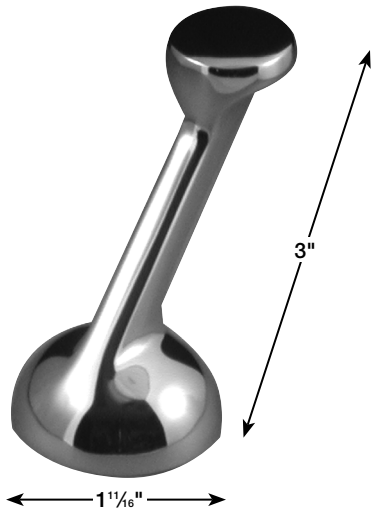
Carded Stk. No.	Description
10304	Pair
46496	Contains: 1 Handle & 1 Each H & C Buttons
88698	Hot and Cold Button



T
BROACH
STYLE
D

DELTA

Single Handle Style
 • Lavatory, Tub & Shower



Carded Stk. No.	Description
80968	Handle

R/Q

DELTA

Single Handle Style
 • Kitchen, Lavatory



Carded Stk. No.	Description
10419	Handle

DELTA

Single Handle Style
 • Kitchen, Lavatory, Utility



Carded Stk. No.	Description
10420	Handle 152 Set Screw

R/Q

HANDLES



HANDLES

HANDLE REPAIRS FOR...

DELTA

Single Handle Style
• Lavatory, Tub & Shower

R/Q



Carded

Stk. No.	Description
80003	Handle

DELTA

Single Handle Style
• Lavatory, Tub & Shower



Carded

Stk. No.	Description
10424	Handle

DELTA

• Lavatory

T



Carded

Stk. No.	Description
10537	Handle

DELTA

Single Handle Style
Acrylic
• Tub & Shower, Scald Guard, Monitor

AB

BROACH
STYLE



Carded

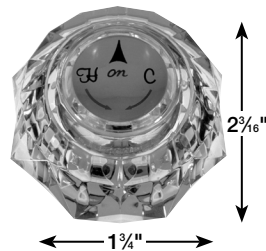
Stk. No.	Description
31229	Handle
35646B	Handle Screw

DELTA

Single Handle Style (Old Style)
Acrylic
• Lavatory

R

BROACH
STYLE



Bagged

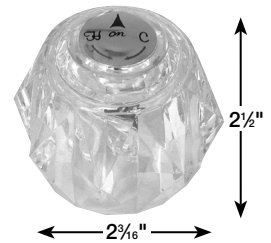
Stk. No.	Carded Stk. No.	Description
30741Q*	80967	Handle
	80970	2411 Handle Button

DELTA

Single Handle Style (Old Style)
Acrylic
• Tub & Shower

R

BROACH
STYLE



Carded

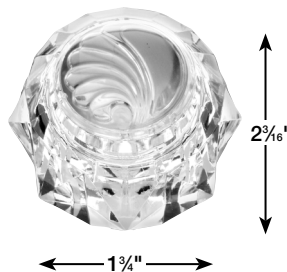
Stk. No.	Description
88439	Handle Assembly
80970	2411 Handle Button

DELTA

Single Handle (New Style)
• Lavatory

R

BROACH
STYLE



Carded

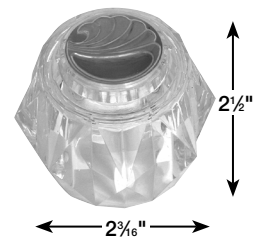
Stk. No.	Description
10305	Handle
88699	Handle Button

DELTA

Single Handle (New Style)
• Tub & Shower

R

BROACH
STYLE



Carded

Stk. No.	Description
88697	Handle
88699	Handle Button



HANDLES

HANDLES

HANDLE REPAIRS FOR...

EMPIRE BRASS

- Lavatory

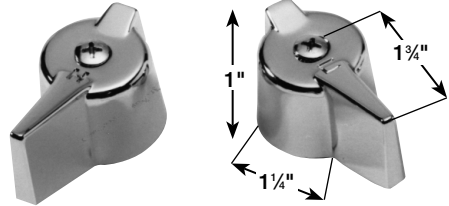


J

Carded Stk. No.	Description
10660	Pair

GERBER

- OEM Style
- Kitchen, Lavatory

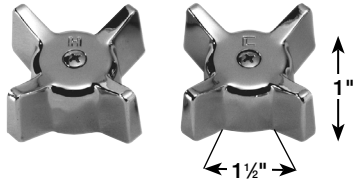


B

Carded Stk. No.	Description
80681	Pair

GERBER

- OEM Style
- Tub & Shower

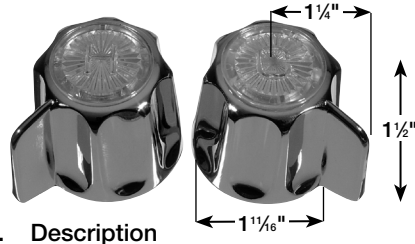


B

Carded Stk. No.	Description
88090	Pair

GERBER

- OEM Style
- Kitchen, Lavatory



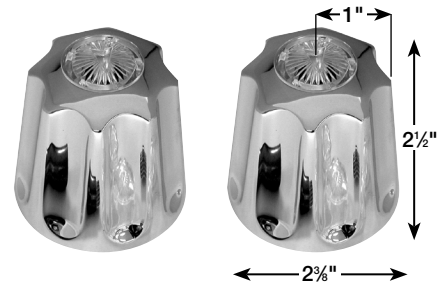
B

Bagged Stk. No.	Carded Stk. No.	Description
20332	88088	Pair
25748B		148H Index Button - Hot
25749B		149C Index Button - Cold

GERBER

- OEM Style
- Multi-Fit
- Tub & Shower
- Fits both short and long stems

Carded Stk. No.	Description
88860	Pair Multi-Fit
88861	Diverter Multi-Fit
25748B	148H Index Button - Hot
25749B	149C Index Button - Cold

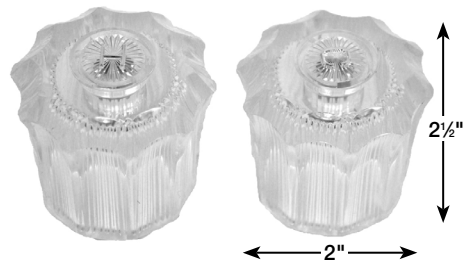


B

GERBER

- OEM Style Multi-Fit
- Acrylic
- Tub & Shower
- Fits both short and long stems

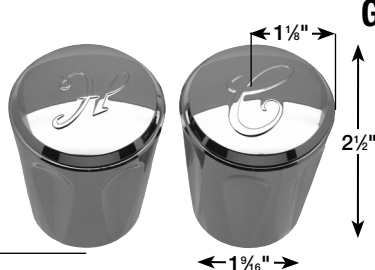
Carded Stk. No.	Description
88258	Pair
88257	Diverter



B

HARCRAFT

- OEM Style
- Tub & Shower

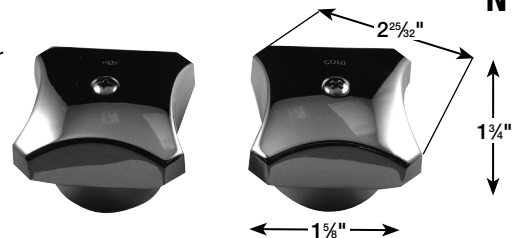


G

Carded Stk. No.	Description
88737	Pair
10350	Diverter
35154B	17 Handle Screw (Bibb)

KOHLER

- OEM Style
- Tub & Shower



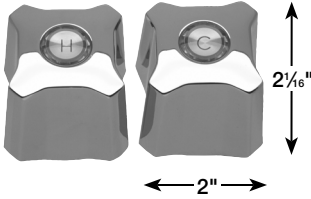
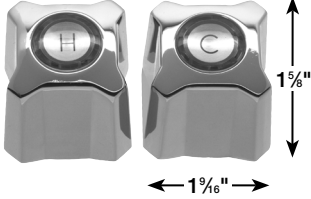
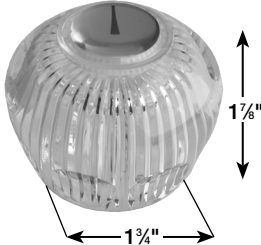

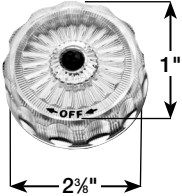
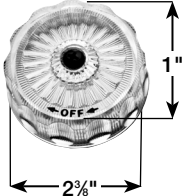

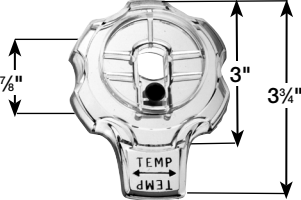
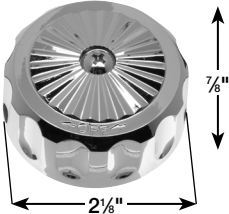
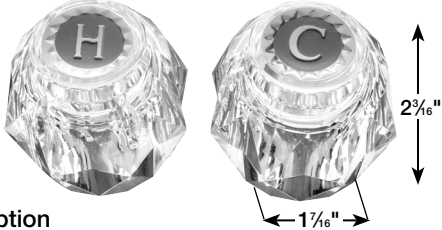
N

Bagged Stk. No.	Description
20271	Pair

HANDLES



HANDLE REPAIRS FOR...

<p>KOHLER OEM Style Metal • Tub & Shower – Trend</p>  <p>Carded Stk. No. Description</p> <p>88768 Pair 88769 Diverter</p>	<p>KOHLER OEM Style Metal • Lavatory – Trend</p>  <p>Carded Stk. No. Description</p> <p>88358 Pair</p>
<p>KOHLER Single Handle Style Acrylic • Coralais</p>  <p>Carded Stk. No. Description</p> <p>31886 Tub & Shower</p>	<p>MIXET Single Handle Style Acrylic • Tub & Shower</p>  <p>Bagged Stk. No. Description</p> <p>88771 Single Handle</p>
<p>MIXET Single Handle Style Acrylic • Tub & Shower • Volume Control</p>  <p>Carded Stk. No. Description</p> <p>88201 Clear 88203 Smoke 88969 1 Each Clear Temp. & Volume Handles</p>	<p>MIXET Single Handle Style Smoked Acrylic • Tub & Shower • Volume Control</p>  <p>Carded Stk. No. Description</p> <p>88978 1 Each Smoke Temp. & Volume Handles</p>
<p>MIXET Single Handle Style • Chrome • Temp. Control Lever</p>  <p>Carded Stk. No. Description</p> <p>88206 ABS</p>	<p>MIXET Single Handle Style • Tub & Shower • Temp. Control Lever</p>  <p>Carded Stk. No. Description</p> <p>88202 Clear 88204 Smoke</p>
<p>MIXET Single Handle Style • Volume Control • Chrome</p>  <p>Carded Stk. No. Description</p> <p>88205 Single Handle</p>	<p>MOEN / STANADYNE OEM Style Clear Acrylic • Kitchen, Lavatory, Tub & Shower</p>  <p>Carded Stk. No. Description</p> <p>88062 Pair</p>



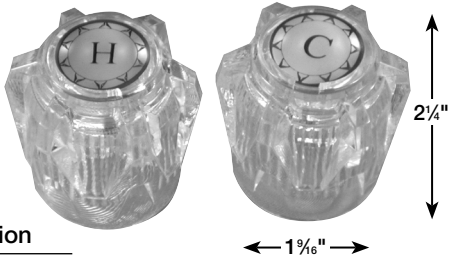
HANDLES

HANDLES

HANDLE REPAIRS FOR...

MOEN

OEM Style
Acrylic
• Tub & Shower



Stk. No. Description

88810 Pair

MOEN

W



Stk. No. Description

80004 Handle

MOEN

Replaces Banbury
• Chrome Plated



Stk. No. Description

10535 Quarter-turn Handles Pair

MOEN

AC

Replaces Monticello
• Chrome Plated

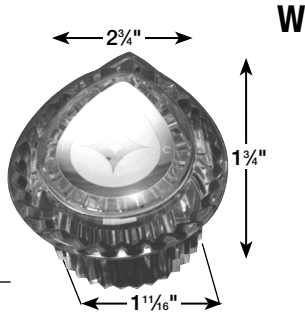


Stk. No. Description

10536 Quarter-turn Handles Pair

MOEN

Single Handle Style
Acrylic
• Multi-Fit
• Lavatory, Tub & Shower



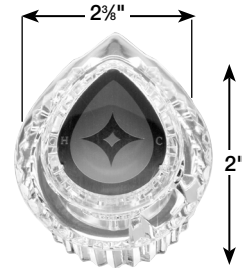
Carded
Stk. No. Description

10303 Handle
88406 White Button w/Chrome

MOEN

W

Single Handle Style
• Fits Posi Temp
• Tub & Shower

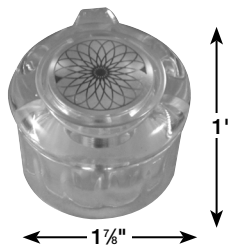


Carded
Stk. No.

10302

MOEN

Single Handle Style
• Multi-Fit
• Lavatory Touch Control



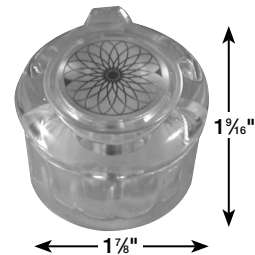
Carded
Stk. No. Description

88798 Handle

MOEN

W

Single Handle Style
• Tub & Shower, Touch Control

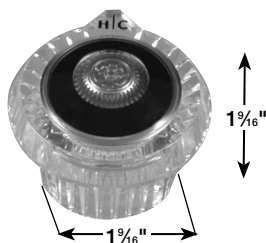


Carded
Stk. No. Description

88799 Shower Handle

MOEN

Single Handle Style
Deep Broach
• Multi-Fit
• Lavatory, Tub & Shower



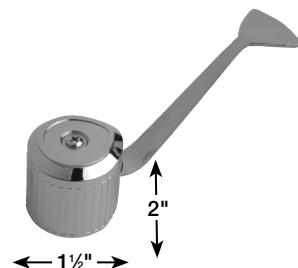
Carded
Stk. No. Description

89060 Handle

MOEN

W

Single Handle Style
• Kitchen



Carded
Stk. No. Description

88064 Cap Only

HANDLES



HANDLE REPAIRS FOR...

PEERLESS

Single Handle Style
• Kitchen

R



Carded

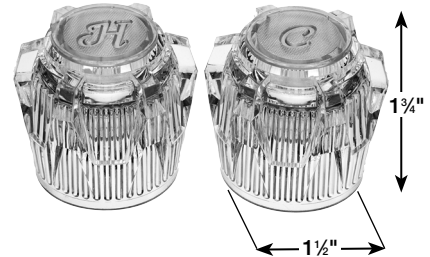
Stk. No. Description

88435 Lever Handle

PHOENIX

OEM Style
Acrylic
• Kitchen, Lavatory, Tub & Shower

J



Carded

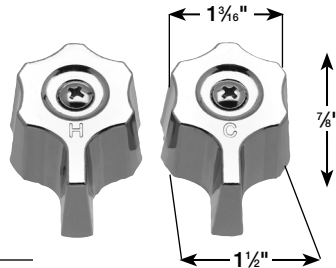
Stk. No. Description

88170 Clear - Pair
88171 Clear - Diverter
88239X Smoke - Pair
88240 Smoke - Diverter
46462 1 Clear Handle w/ H, C & D Buttons
35647B Handle Screw

PFISTER

OEM Style
• Fits Crown Imperial

H/I



Carded

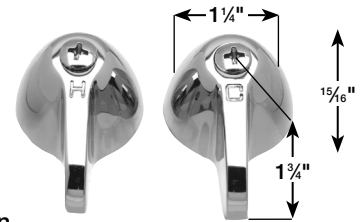
Stk. No. Description

88443 Pair

PFISTER

OEM Style

H/I



Carded

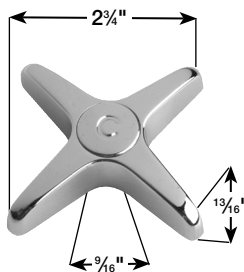
Stk. No. Description

88997 Pair

PFISTER

OEM Style

H/I



Carded

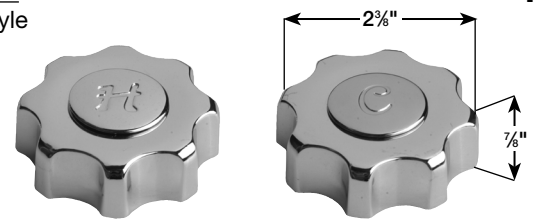
Stk. No. Description

88390 1 Handle & 1 Each H, C Buttons
Pair

PFISTER

OEM Style

H/I



Carded

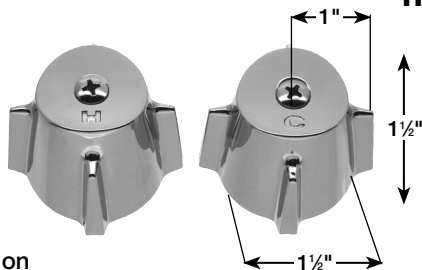
Stk. No. Description

88302 Pair

PFISTER

OEM Style
• Fits Contempra
• Kitchen & Lavatory

H/I



Carded

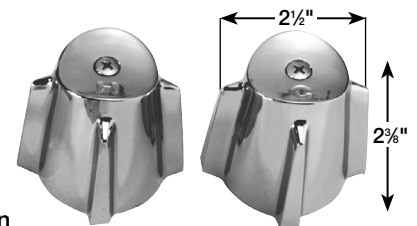
Stk. No. Description

88385 Pair

PFISTER

OEM Style
• Fits Contempra
• Tub & Shower

H/I



Carded

Stk. No. Description

88386 Pair
88387 Diverter



HANDLES

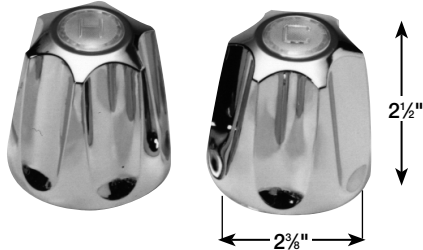
HANDLES

HANDLE REPAIRS FOR...

PFISTER

OEM Style (Old Style)
 • Fits Verve Tub & Shower

H/I

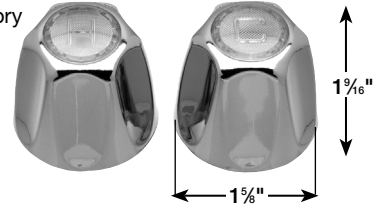


Bagged Stk. No.	Carded Stk. No.	Description
	80457	Pair
	88085	Diverter
46467Q*	46467	1 Handle & 1 Each H, C & D Buttons
25737B		137H Index Button – Hot
25738B		138C Index Button – Cold

PFISTER

OEM Style (Old Style)
 • Fits Verve Kitchen & Lavatory

H/I

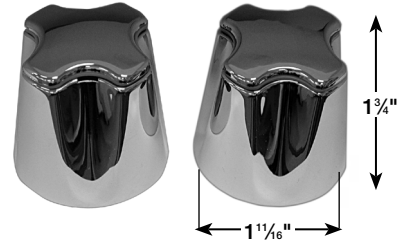


Carded Stk. No.	Description
80456	Pair
46469	1 Handle & 1 Each H & C Buttons

PFISTER

OEM Style (New Style)
 Metal
 • Fits Verve Lavatory and Kitchen

H/I

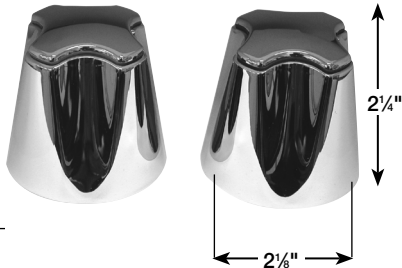


Carded Stk. No.	Description
88988	Pair

PFISTER

OEM Style (New Style)
 Metal
 • Fits Verve Tub & Shower

H/I

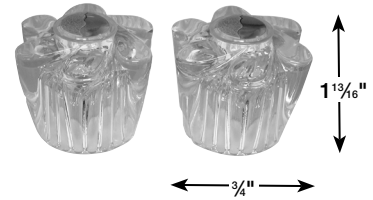


Carded Stk. No.	Description
88990	Pair
88992	Diverter

PFISTER

OEM Style (New Style)
 Acrylic
 • Fits Windsor Lavatory

H/I

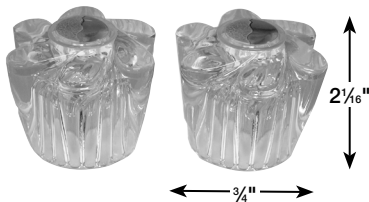


Carded Stk. No.	Description
88989	1 Handle & 1 Each H, C Buttons
	Pair

PFISTER

OEM Style (New Style)
 Acrylic
 • Fits Windsor Tub & Shower

H/I

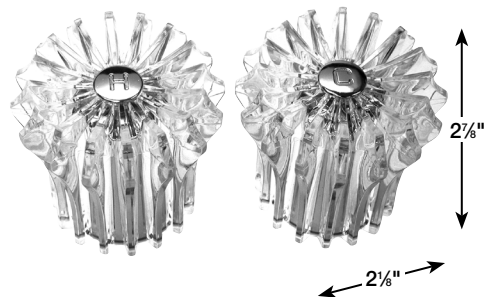


Carded Stk. No.	Description
88991	Pair
88954	Diverter

PFISTER

OEM Style
 Acrylic
 • Fits Marquis Tub & Shower

H/I

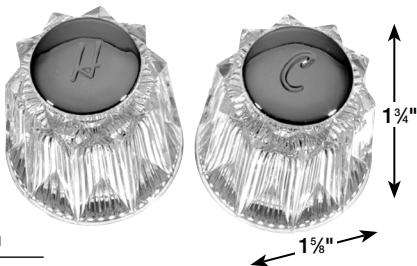


Bagged Stk. No.	Carded Stk. No.	Description
	88261	Pair
	88260	Diverter
	46466	1 Handle & 1 Each H, C & D Buttons
35646B		45 Handle Screw
25703B		103H Index Button – Hot
25704B		104C Index Button – Cold

PFISTER

OEM Style (Old Style)
 Acrylic
 • Kitchen & Lavatory
 • Fits Contessa/Windsor

H/I



Carded Stk. No.	Description
88305	Pair

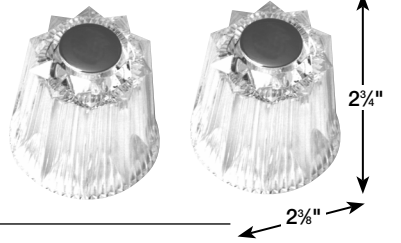
HANDLES



HANDLE REPAIRS FOR...

PFISTER

OEM Style (Old Style)
Acrylic
• Tub & Shower
• Fits Contessa/Windsor

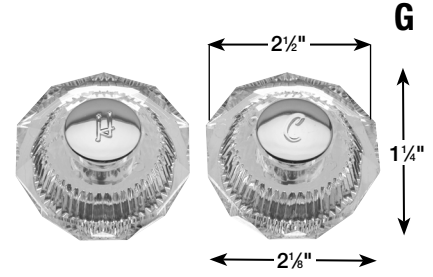


Carded
Stk. No. Description

88262	Pair Clear
88263	Diverter
46464	1 Handle & 1 Each H, C & D Buttons

PFISTER

OEM Style
Acrylic
• Also Fits Mobile Home

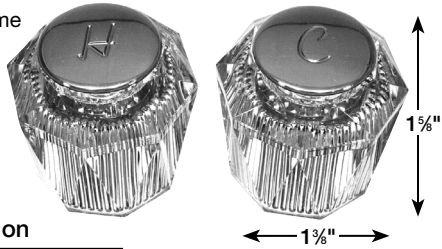


Carded
Stk. No. Description

88167	Pair
46465	1 Handle & 1 Each H, C & D Buttons

PFISTER

OEM Style
• Also Fits Mobile Home



Carded
Stk. No. Description

88165	Pair
-------	------

PFISTER

Single Lever Handle
• Kitchen, Lavatory
• Chrome

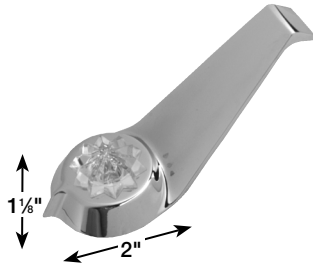


Carded
Stk. No. Description

10419	Single Lever Style Handle
-------	---------------------------

PFISTER

Single Handle Style
• Lavatory, Tub & Shower

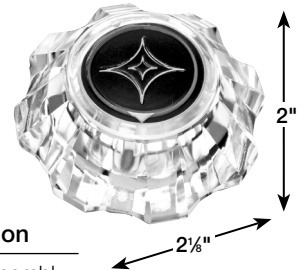


Carded
Stk. No.

88392

PFISTER

Single Handle Style
• Lavatory, Tub & Shower



Bagged Carded
Stk. No. Stk. No. Description

35646B	88391	Handle Assembly Handle Screw
--------	-------	---------------------------------

SAYCO

OEM Style
• Kitchen & Lavatory



Bagged Carded
Stk. No. Stk. No. Description

	88749	Pair
35142B		5 Handle Screw (Bibb)
26005B		206H Index Button - Hot
26006B		207C Index Button - Cold

SAYCO

OEM Style
• Tub & Shower

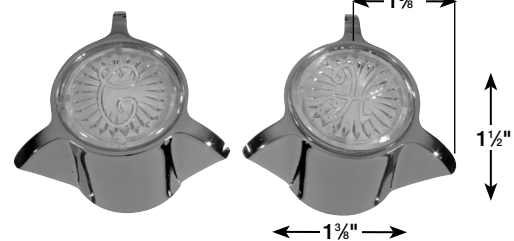


Bagged Carded
Stk. No. Stk. No. Description

	88746	Pair
	88751	Diverter
35141B		4 Handle Screw (Bibb)
26005B		206H Index Button - Hot
26006B		207C Index Button - Cold

SAYCO

OEM Style
• Kitchen & Lavatory



Bagged Carded
Stk. No. Stk. No. Description

	80407	Pair
35141B		4 Handle Screw (Bibb)
26005B		206H Index Button (Hot)
26006B		207C Index Button (Cold)



HANDLES

HANDLES

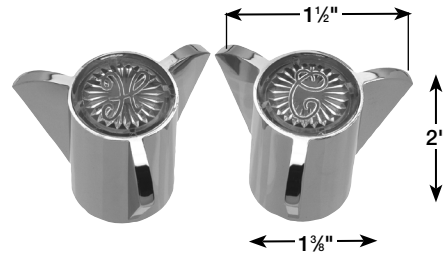
HANDLE REPAIRS FOR...

SAYCO

OEM Style
• Tub & Shower

B

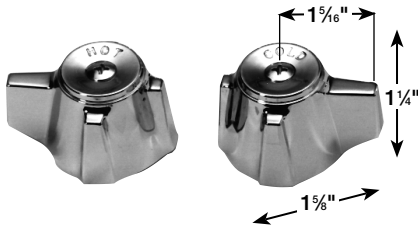
Bagged Stk. No.	Carded Stk. No.	Description
	88084	Pair
	88083	Diverter
	46468	1 Handle & 1 Each H, C & D Buttons
35142B		5 Handle Screw (Bibb)
26005B		206H Index Button - Hot
26006B		207C Index Button - Cold



STERLING (ROCKWELL)

OEM Style
• Kitchen, Lavatory

L

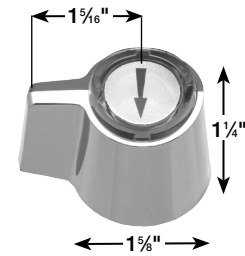


Carded Stk. No.	Description
80680	Pair

STERLING (ROCKWELL)

OEM Style Diverter
• Tub & Shower

L



Carded Stk. No.	Description
86993	Diverter

STERLING

OEM Style
• Kitchen & Lavatory

L

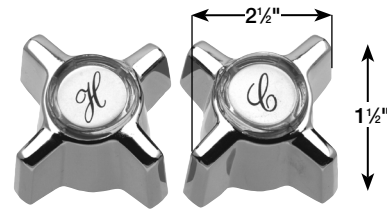


Carded Stk. No.	Description
88509	Pair
88510	Diverter

STERLING

OEM Style
• Tub & Shower

L

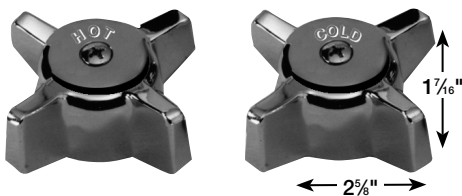


Bagged Stk. No.	Carded Stk. No.	Description
20446	88759	Pair
	46498	1 Handle & 1 Each H, C and D Buttons

STERLING (ROCKWELL)

OEM Style
• Tub & Shower

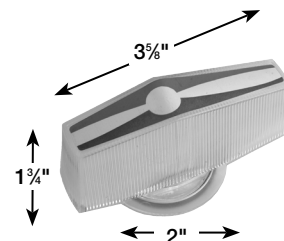
L



Carded Stk. No.	Description
88092	Pair
86993	Diverter
46500	1 Handle & 1 Each H, C and D Buttons

STERLING

Single Handle Style
• Tub & Shower



Carded Stk. No.	Description
88428	

HANDLES

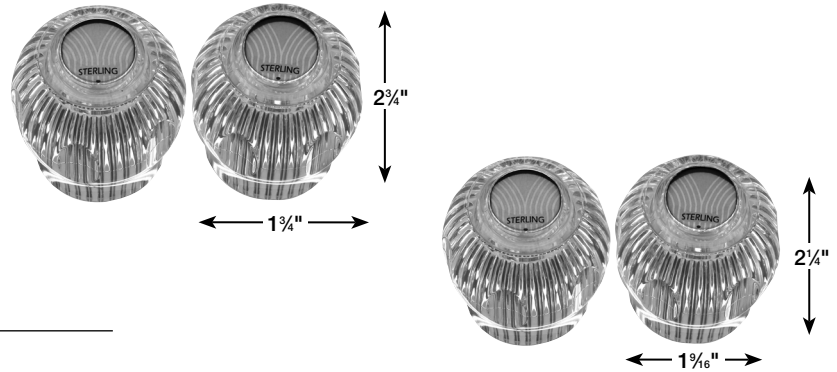


HANDLE REPAIRS FOR...

STERLING

OEM Style
Acrylic

Z



Carded

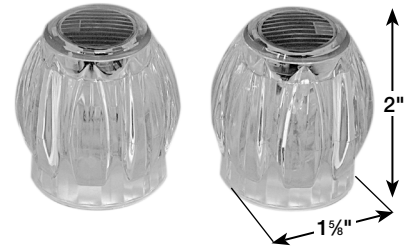
Stk. No. Description

88671	Pair – Large for Shower
88670	Pair – Small for Kitchen & Lavatory
46459	1 Handle & 1 Each H, C & D Buttons – Large

STERLING

OEM Style
Acrylic
Square Broach
• Kitchen, Lavatory, Tub & Shower

Z



Bagged

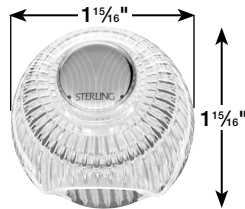
Carded

Stk. No. Stk. No. Description

20435	14884	Pair
	46454	1 Handle & 1 Each H, C & D Buttons

STERLING

Single Handle Style
• Lavatory, Tub & Shower



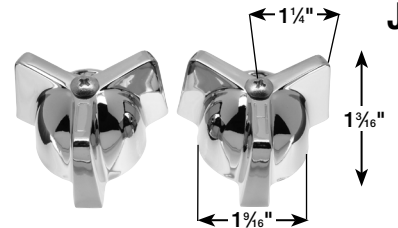
Carded

Stk. No. Description

88417	Handle
-------	--------

STREAMWAY

OEM Style
• Kitchen, Lavatory,
Tub & Shower



Bagged
Stk. No.

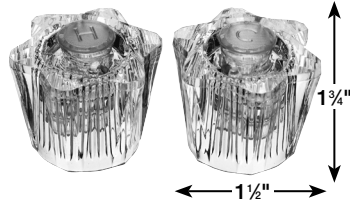
Carded
Stk. No.

Description

35142B	88177	Pair 5 Handle Screw (Bibb)
--------	-------	-------------------------------

STREAMWAY

OEM Style
Acrylic
• Kitchen, Lavatory,
Tub & Shower



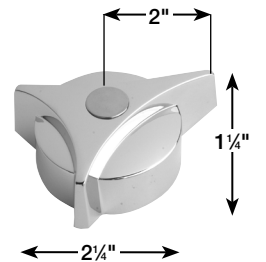
Carded

Stk. No. Description

88168	Pair
88169	Diverter

SYMMONS

Single Handle Style
• Tub & Shower – Temptrol



Carded

Stk. No. Description

37577	T-31 Handle
35141B	T-32 Handle Screw

SYMMONS

Single Handle Style
• Tub & Shower – Temptrol



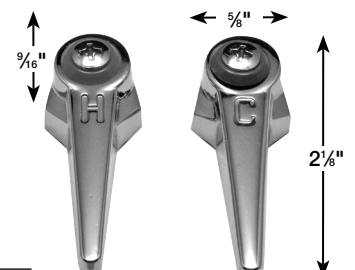
Carded

Stk. No. Description

37615	Diverter
-------	----------

T&S

OEM Style
• Kitchen



Bagged

Stk. No. Description

20181	Pair
-------	------



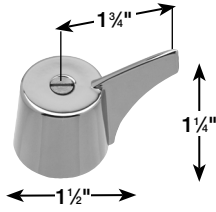
HANDLES

HANDLES

HANDLE REPAIRS FOR...

UNION BRASS (UNION GOPHER)

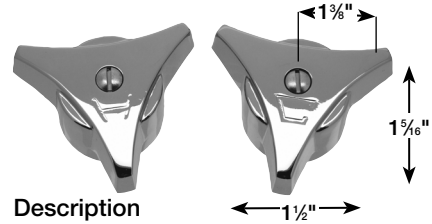
OEM Style – DIVERTER
• Tub & Shower



Bagged Stk. No.	Description
20358	Diverter Handle
35654B	53 Handle Screw

UNION BRASS (UNION GOPHER)

OEM Style
• Tub & Shower

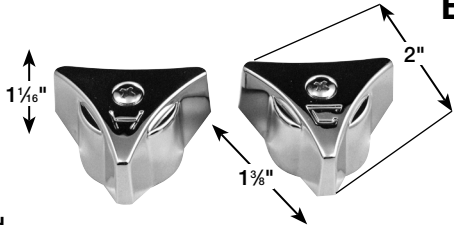


Bagged Stk. No.	Carded Stk. No.	Description
35654B	88752	Pair 53 Handle Screw

E

UNION BRASS

OEM Style
• Fits Lavatory

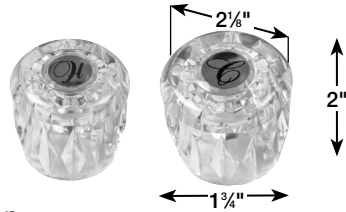


Bagged Stk. No.	Carded Stk. No.	Description
35652B	88750	Pair 51 Handle Screw

E

VALLEY

OEM Style Clear Acrylic
• Kitchen, Lavatory, Tub & Shower



Carded Stk. No.	Description
88304	Pair
16484	Diverter
46489	1 Handle & 1 Each H & C Buttons

V

VALLEY

Single Handle Style Acrylic
• Lavatory



Bagged Stk. No.	Carded Stk. No.	Description
31424	88743	Handle

Q

VALLEY

Single Lever Handle Acrylic
• Lavatory

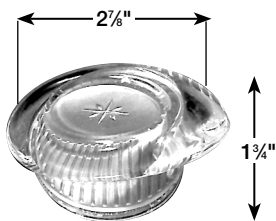


Bagged Stk. No.	Carded Stk. No.	Description
31388		Handle

Q

VALLEY

Single Handle Style Acrylic
• Kitchen, Lavatory, Tub & Shower

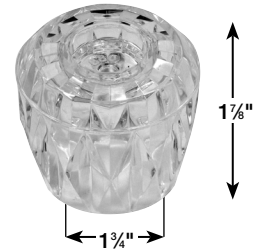


Carded Stk. No.	Description
88379	Clear

Q

VALLEY / ELJER

Single Handle Style Acrylic
• Tub & Shower

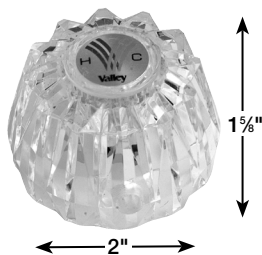


Bagged Stk. No.	Description
31442	Handle

Q

VALLEY

Single Handle Style Acrylic
• Tub & Shower

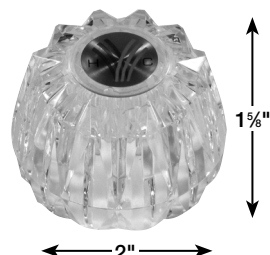


Carded Stk. No.
86659

Q

VALLEY

Single Handle Style Acrylic
• Lavatory



Carded Stk. No.
88742

Q

HANDLES



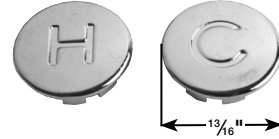
HANDLE INDEX BUTTONS – METAL “SNAP-IN”

AMERICAN STANDARD, ELJER, GERBER, PFISTER, SAYCO, SEARS, SPEAKMAN, STERLING FAUCET (ROCKWELL), DANCO HOSPITAL HANDLE



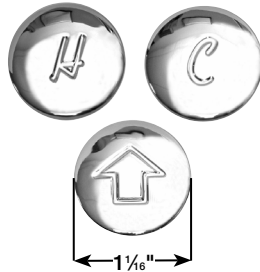
Stk. No.	Description
25703B	Hot
25704B	Cold
25705B	Diverter

AMERICAN STANDARD, DANCO



Stk. No.	Description
26617B	Hot
26618B	Cold

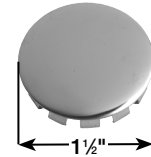
CRANE, PFISTER, SAVOY



Carded

Stk. No.	Description
80682	Hot, Cold & Diverter – Chrome

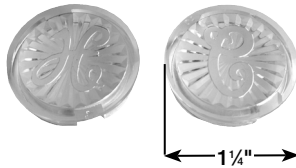
VARIOUS



Stk. No.	Description
25788B	Hot, Cold & Diverter

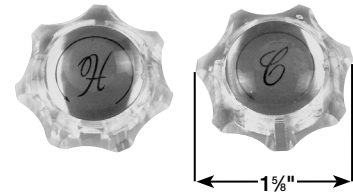
HANDLE INDEX BUTTONS – PLASTIC “SNAP-IN”

AMERICAN STANDARD, CENTRAL, DANCO, ELJER, INDIANA BRASS, SPEAKMAN, STANADYNE, UNION BRASS



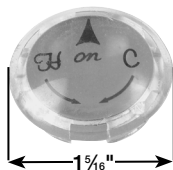
Stk. No.	Description
26005B	Hot Clear
26006B	Cold Clear
88014	Clear Hot, Cold, Diverter (Carded)
26011B	Hot Smoke
26012B	Cold Smoke

DELTA / DELEX



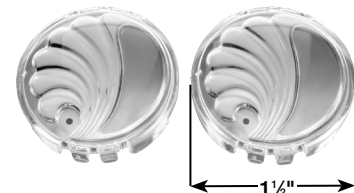
Stk. No.	Description
26021B	Hot
26022B	Cold
80672	Hot & Cold (Carded)

DELTA



Stk. No.	Carded Stk. No.	Description
30764B	80970	Single Handle

DELTA



Stk. No.	Description
88698	Pair (Carded)



HANDLES

HANDLES

HANDLE INDEX BUTTONS – PLASTIC “SNAP-IN”

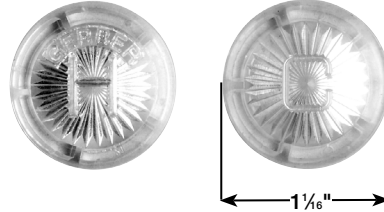
DELTA

Single Handle



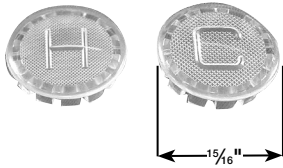
Stk. No.	Description
88699	Single Handle

GERBER



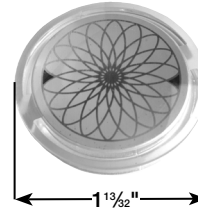
Stk. No.	Description
25748B	Hot
25749B	Cold
80674	Hot, Cold, Diverter (Carded)

MIDCOR / PFISTER



Stk. No.	Description
25737B	Hot
25738B	Cold
80677	Hot, Cold & Diverter (Carded)

MOEN



Carded Stk. No.	Description
88818	Single Handle

MOEN



Carded Stk. No.	Description
88817	Single Handle – Hot, Cold, Diverter

MOEN



Carded Stk. No.	Description
88406	Single Handle

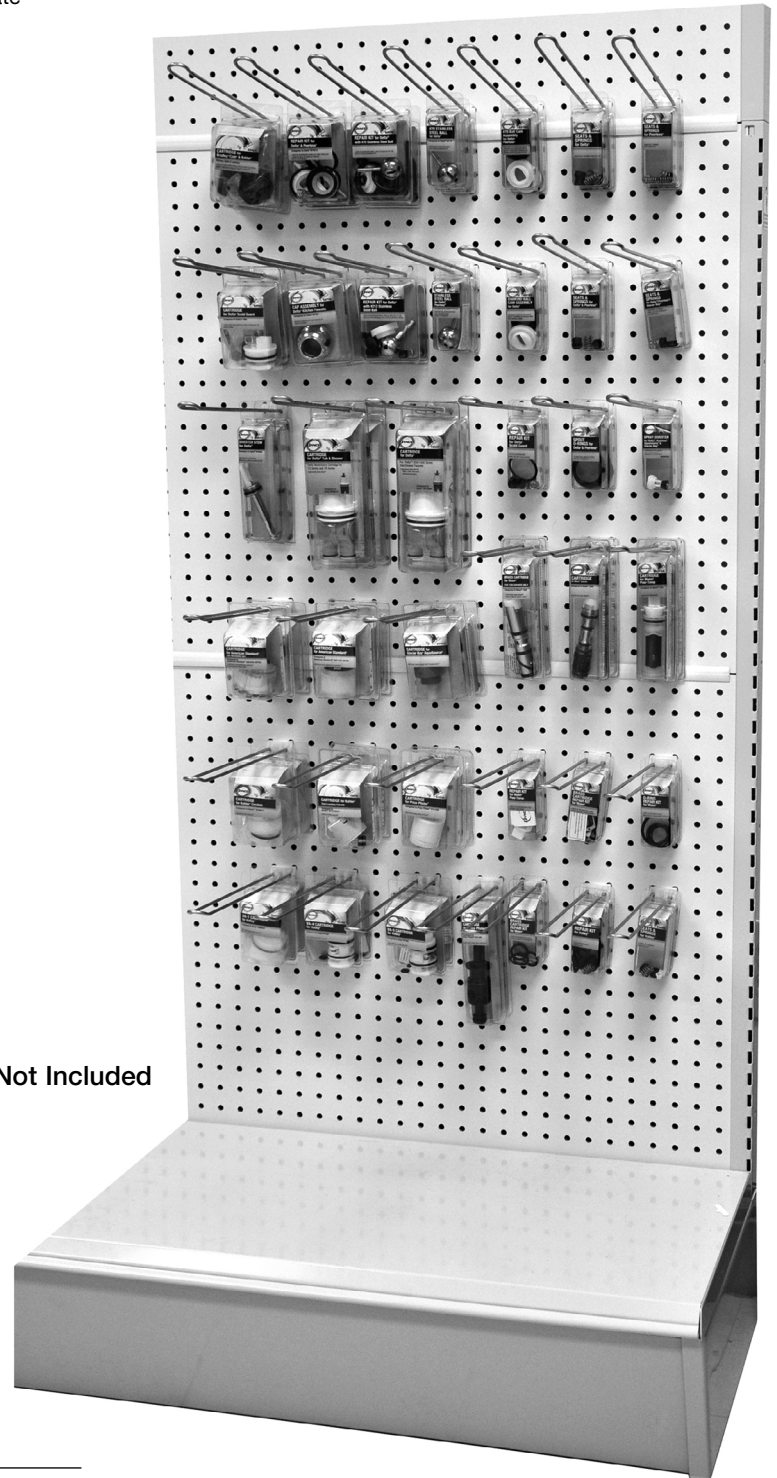
SINGLE HANDLE FAUCET REPAIRS



SINGLE HANDLE FAUCET REPAIRS ASSORTMENT

SINGLE HANDLE FAUCET REPAIRS ASSORTMENT

DANCO's Single Handle Faucet Repair Assortment contains repairs for all popular single handle faucets (Moen, Delta, Valley, etc.) and also contains the hard-to-find repair parts for Kohler, Mixet, etc. All parts are carried in slide blister packages to eliminate broken packaging.

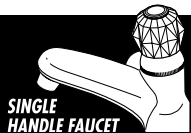


Gondola Not Included

Stk. No.	Description
----------	-------------

80494E	2' Single Handle Repairs
--------	--------------------------

* The Starter Assortments Contain (1) of Each Item.
Quantities Vary on the Standard Assortment.



SINGLE HANDLE FAUCET REPAIRS

AM-1 SINGLE LEVER CARTRIDGE FOR AMERICAN STANDARD AQUARIAN

OEM Ref. #57864

- Fits Kitchen, Lavatory, Tub & Shower
- Includes Plastic Cap



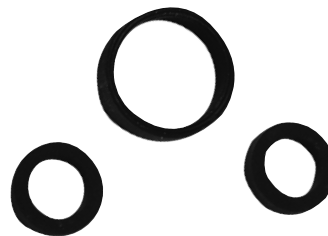
Bagged Stk. No.	Carded Stk. No.	Description
-----------------	-----------------	-------------

30592	80716	Cartridge with Cap
-------	-------	--------------------

AM-2 SINGLE LEVER CARTRIDGE REPAIR KIT FOR AMERICAN STANDARD AQUARIAN AND AQUARIAN II

OEM Ref. #57583

- Used on AM-1 Cartridge – Fits Kitchen, Lavatory, Tub & Shower (4 Gallon Models)



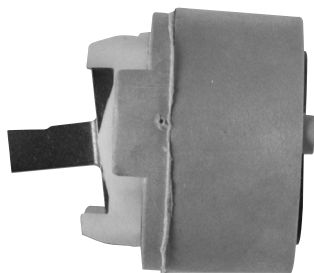
Carded Stk. No.

80720

AM-3 SINGLE LEVER CARTRIDGE FOR AMERICAN STANDARD AQUARIAN

OEM Ref. #69382

- Fits Tub & Shower



Carded Stk. No.

80460

AM-10 REPAIR KIT FOR AMERICAN STANDARD

- Used on Model N-1030-1



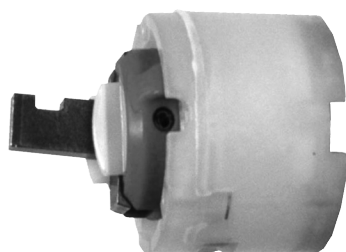
Bagged Stk. No.	Carded Stk. No.
-----------------	-----------------

30518	80713
-------	-------

SINGLE LEVER CARTRIDGE FOR AMERICAN STANDARD COLONY / FAIRBURY & SYMPHONY

OEM Ref. #951470-7A

- Fits Kitchen, Lavatory

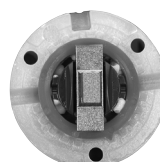
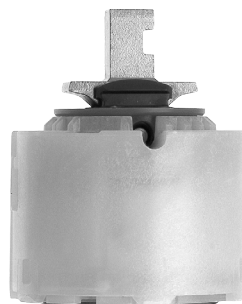


Carded Stk. No.

10468

AM-11 CERAMIC CARTRIDGE FOR AMERICAN STANDARD CERAMIX

OEM Ref. #23529-70A



Top

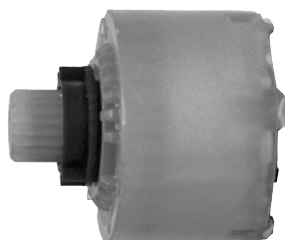


Bottom

SINGLE LEVER CARTRIDGE FOR AMERICAN STANDARD

OEM Ref. #954440-70A

- Fits Tub & Shower



Carded Stk. No.

10469

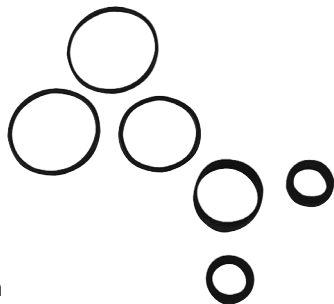
Product Stk. No.	Carded Stk. No.
------------------	-----------------

31470	18826B
-------	--------

SINGLE HANDLE FAUCET REPAIRS



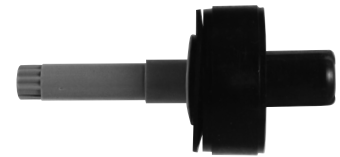
REPAIR KIT FOR AMERICAN STANDARD CERAMIX



Carded Stk. No.	Description
86654	Seals and O-rings

BR-1 SINGLE LEVER CARTRIDGE KIT FOR BRADLEY-COLE AND KOHLER

- Fits Kitchen, Lavatory, Bath
- Complete with Cam

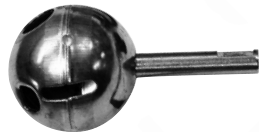


30704
(80461)
BR-1 Cartridge

Bagged Stk. No.	Carded Stk. No.	Description
30704	80461	Cartridge with Cam

#70 STYLE REPLACEMENT BALL FOR DELTA SINGLE LEVER

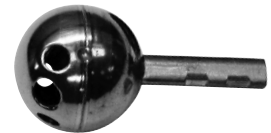
Fits Most Kitchen, Lavatory, Tub & Shower with Lever Style Handles



Carded Stk. No.	Description
88119	DL-18 Stainless Steel

#212 STYLE REPLACEMENT BALL FOR DELTA AND PEERLESS SINGLE LEVER

Fits Most Kitchen, Lavatory, Tub & Shower with Knob Style Handles



Carded Stk. No.	Description
80706	DL-6 Plastic
88120	DL-19 Stainless Steel

REPLACEMENT SEATS & SPRINGS FOR DELTA, DELEX & PEERLESS SINGLE CONTROL

Fits Most Lavatory, Bath



18013
Short Conical Spring



30758
Long Seat



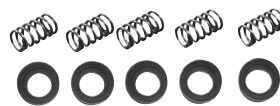
18003
Short Seat

Stk. No.	Description
30758B	Long Seat Old Style
18003B	Short Seat
18013B	Short Conical Spring

SEATS & SPRINGS PRO-VALUE-PAK FOR DELTA, DELEX & PEERLESS SINGLE CONTROL

Fits Most Lavatory, Bath

- Includes 50 each of Long Style Seats & Springs



Stk. No.	Description
30285	Delta Seats & Springs
30300	Delta Seats & Springs

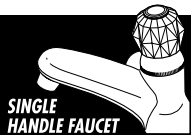
DL-3 REPAIR KIT FOR DELTA

Fits #70 Ball

- Includes Wrench



Bagged Stk. No.	Carded Stk. No.
30766Q*	80701

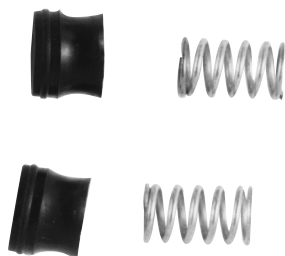


SINGLE HANDLE FAUCET REPAIRS

DL-4 SEATS & SPRINGS FOR DELTA

OEM Ref. #134

- Repairs for Faucets Manufactured Before 1976



Carded
Stk. No. _____

80703

DL-5 SPRAY DIVERTER FOR DELTA



Carded
Stk. No. _____

80093E

DL-7 REPAIR KIT FOR DELTA / PEERLESS

Fits #212 Ball

- Includes Wrench



Carded
Stk. No. _____

80702

DL-8 SEATS & SPRINGS FOR DELTA / PEERLESS

- Repairs for Faucets Manufactured Before 1976



Carded
Stk. No. _____

80694

DL-9 SEATS & SPRINGS FOR DELTA / PEERLESS

OEM Ref. #4993

- Repairs for Faucets Manufactured After 1976



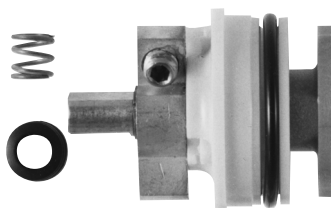
Bagged Carded
Stk. No. Stk. No.

30769Q* 80684

DL-10 SINGLE LEVER BATH CARTRIDGE FOR DELTA SCALD-GUARD

OEM Ref. #1991

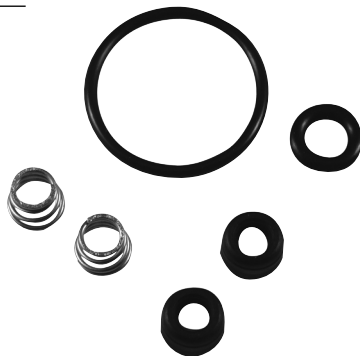
- Fits Tub & Shower



Carded
Stk. No. _____

80964

DL-11 REPAIR KIT FOR DELTA SCALD GUARD



Carded
Stk. No. _____

80465

DL-14 ADJUSTING RING FOR DELTA

OEM Ref. #250

- Fits Most Kitchen, Lavatory, Tub & Shower



Carded
Stk. No. _____

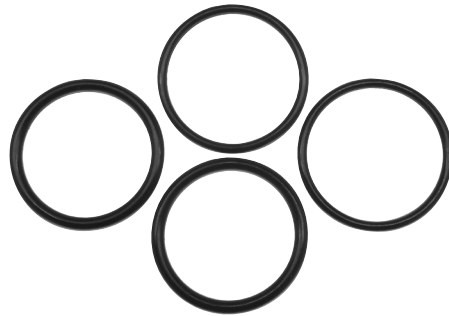
80965

SINGLE HANDLE FAUCET REPAIRS



DL-15 SPOUT O-RINGS FOR DELTA

Fits Most Kitchen



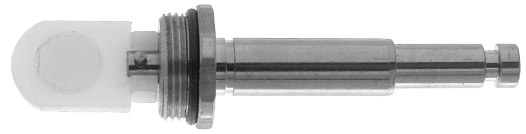
Carded
Stk. No. _____

80973

DL-16 SINGLE LEVER BATH DIVERTER FOR DELTA

OEM Ref. #5649

Fits Most Tub & Shower



Carded
Stk. No. _____

80971

DL-17 SEATS & SPRINGS FOR DELTA / PEERLESS



Carded
Stk. No. _____

88050

UNIVERSAL SEATS & SPRINGS FOR DELTA



Carded
Stk. No. _____

86968

CARTRIDGE ASSEMBLY FOR DELTA *MONITOR* SERIES 1300 & 1400



Carded
Stk. No. _____

10347

CARTRIDGE ASSEMBLY FOR DELTA

OEM Ref. #RP46074

Used in 13/14 series Tub & Shower

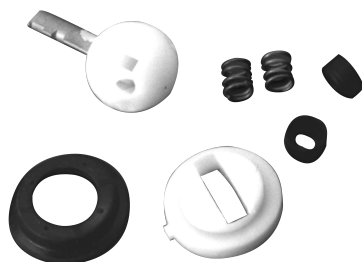


Carded
Stk. No. _____

10664

PR-9B TUB & SHOWER REPAIR KIT FOR DELTA / PEERLESS

Fits Models: #1130, #1230, #8710 – Manufactured After 1976



Carded
Stk. No. _____

80743

FAUCET REPAIR KIT FOR ALL DELTA / PEERLESS

OEM Ref. #RP3614

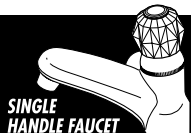
- Fits either #70 or #212 Ball
- Includes Wrench



Carded
Stk. No. _____

88103
34446 Pro-Value-Pak
Contains 5 each Kit

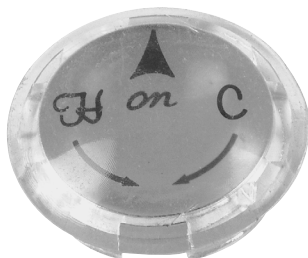
34446
Pro-Pak



SINGLE HANDLE FAUCET REPAIRS

INDEX BUTTON FOR DELTA

- Fits Single Handle Shower



Carded
Stk. No. Stk. No.

30764B 80970

CAP ASSEMBLY FOR DELTA

- OEM Ref. #50
- Fits Most Kitchen, Lavatory, Tub & Shower
- Chrome Plated



Carded
Stk. No. _____

88756

SINGLE LEVER CAM ASSEMBLY FOR DELTA

- OEM Ref. #61
- Fits Most Kitchen, Lavatory, Tub & Shower with Lever Style Handles
- Used with #70 Ball



Carded
Stk. No. Description

88104 Cam Assembly

SINGLE LEVER CAM ASSEMBLY FOR DELTA

- OEM Ref. #188
- Fits Most Kitchen, Lavatory, Tub & Shower with Knob Style Handles
- Used with #212 Ball



Carded
Stk. No. Description

88105 Cam Assembly

OEM FAUCET REPAIR KIT FOR DELTA SINGLE CONTROL LAVATORY & BATH



Carded
Stk. No. _____

88121

FAUCET REPAIR KIT FOR DELTA

- Fits #70 Stainless Steel Ball
- Includes Hex Wrench



Carded
Stk. No. _____

86970

FAUCET REPAIR KIT FOR DELTA OLD-STYLE & NEW-STYLE

- Fits #212 Stainless Steel Ball



Carded
Stk. No. _____

86971

SINGLE HANDLE FAUCET REPAIRS



FAUCET REPAIR KIT FOR DELTA

Fits Kitchen
• Includes Hex Wrench



Carded
Stk. No. _____
86978

FAUCET REPAIR KIT FOR DELTA NEW-STYLE DECK

• Includes Hex Wrench



Carded
Stk. No. _____
86980

UNIVERSAL FAUCET REPAIR KIT FOR DELTA SHOWER and LAVATORY

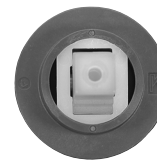
For Faucets with Crystal Handle
• Includes Hex Wrench



Carded
Stk. No. _____
86985

GB-1 CERAMIC CARTRIDGE FOR GLACIER BAY LAVATORY

Fits Models: 169-640, 704-612, 704-615



Top

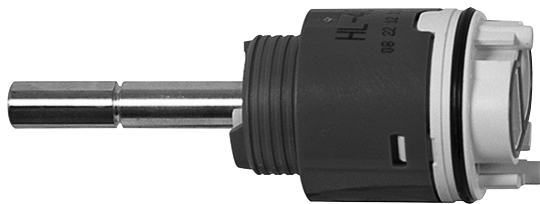


Bottom

Carded
Stk. No. _____
89902

CERAMIC CARTRIDGE FOR GLACIER BAY & AQUASOURCE FAUCETS

Fits Tub & Shower



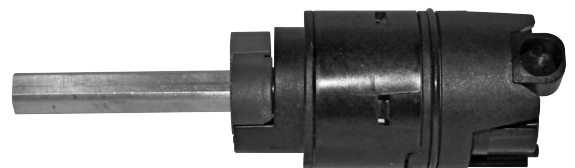
Carded
Stk. No. _____
10670

CARTRIDGE FOR GLACIER BAY

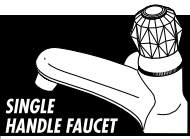


Carded
Stk. No. _____
10738B

CARTRIDGE FOR GLACIER BAY



Carded
Stk. No. _____
10773



SINGLE HANDLE FAUCET REPAIRS

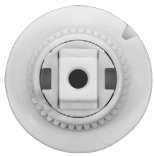
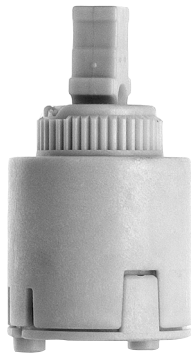
CARTRIDGE FOR GLACIER BAY, AQUASOURCE & PEGASUS



Carded
Stk. No. _____

89932

KO-2 CERAMIC CARTRIDGE FOR KOHLER CORALAIS



Top



Bottom

Carded
Stk. No. _____

18827B

CARTRIDGE FOR KOHLER

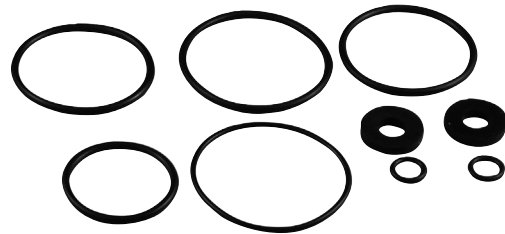
• Fits Kitchen, Lavatory



Carded
Stk. No. _____

10470

FAUCET REPAIR KIT FOR KOHLER CORALAIS



Carded
Stk. No. _____

86987

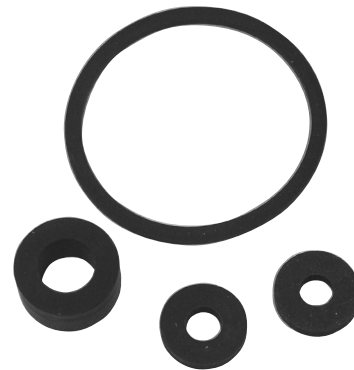
FAUCET REPAIR KIT FOR KOHLER



Carded
Stk. No. _____

38567ND6

FAUCET REPAIR KIT FOR KOHLER



Carded
Stk. No. _____

88529ND5

SINGLE HANDLE FAUCET REPAIRS



MX-1 SINGLE LEVER CARTRIDGE **FOR MIXET BATH**

OEM Ref. #MS-5ATC

- Complete with Assembly Nut



Carded
Stk. No. _____

88200

This cartridge comes from the factory assembled and ready to install. Do not take it apart or adjust it, as this will affect the performance of the valve.

SINGLE LEVER CARTRIDGE **FOR MIXET BATH**

- Includes Acrylic handle



Carded
Stk. No. _____

88732

MO-1 BRASS CARTRIDGE **FOR MOEN SINGLE HANDLE**

OEM Ref. #1200

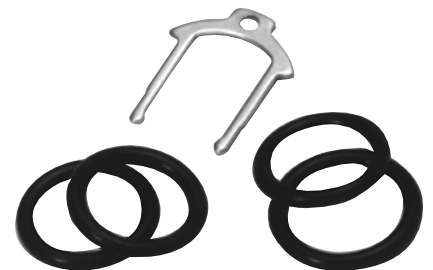
Fits Most Kitchen, Lavatory, Tub & Shower



Carded
Stk. No. _____

80993TS

MO-2 CARTRIDGE REPAIR KIT **FOR MOEN BRASS CARTRIDGES**



Carded
Stk. No. _____

80491

MO-4 CARTRIDGE REPAIR KIT **FOR MOEN PLASTIC CARTRIDGES**

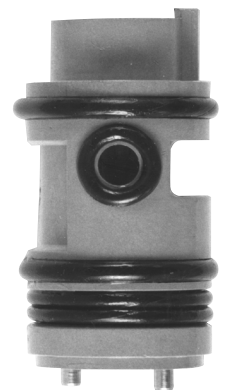


Carded
Stk. No. _____

80500

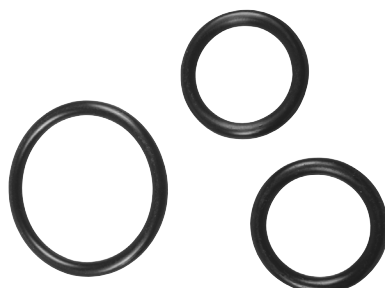
MO-6 CARTRIDGE **FOR MOEN and GERBER / STANADYNE**

Fits *Touch-Control* Kitchen, Lavatory, Tub & Shower



80696
Repair Kit

MO-5 "O" RING REPAIR KIT **FOR MOEN SPOUTS**

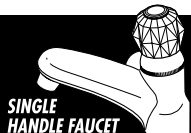


Carded
Stk. No. _____

80502

Carded
Stk. No. Description

80553 Cartridge
80696 Repair Kit



SINGLE HANDLE FAUCET REPAIRS

MO-8 PLASTIC CARTRIDGE FOR MOEN SINGLE HANDLE

OEM Ref. #1225

Fits Most Kitchen, Lavatory, Tub & Shower



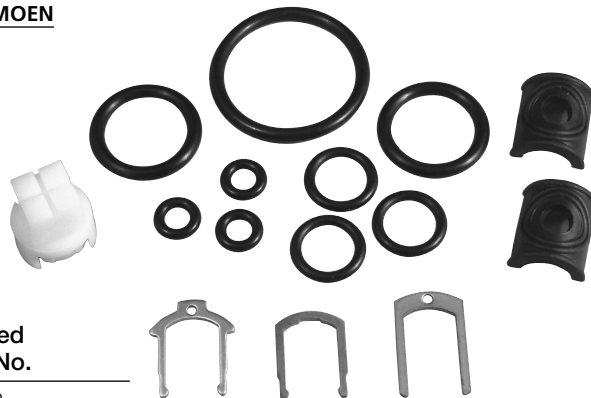
Bagged Stk. No. 32621Q*

Carded Stk. No. 88431E

34439E
Value Pak

34439E Pro-Value-Pak
Contains 5 each

CARTRIDGE REPAIR KIT FOR MOEN



Carded
Stk. No.

89018

MO-9 CARTRIDGE FOR ALL MOEN POSI-TEMP TUB & SHOWER

OEM Ref. #1222

- Designed and Manufactured to Exceed The Highest Quality Standards
- Includes Plastic Installation Wrench and Detailed Instruction Sheet To Make Cartridge Replacement A Quick and Easy Process



Product Stk. No.	Carded Stk. No.	Description
30923	88675	Retainer Clip

30923 — Retainer Clip

CARTRIDGE REPAIR KIT FOR MOEN BRASS CARTRIDGES



Carded
Stk. No.

80746

FAUCET REPAIR KIT FOR MOEN SINGLE HANDLE BRASS CARTRIDGE



Carded
Stk. No.

86647

CARTRIDGE REPAIR KIT FOR MOEN POSI-TEMP



Carded
Stk. No.

10582

SINGLE HANDLE FAUCET REPAIRS



NI-4 SINGLE LEVER CARTRIDGE FOR NIBCO

OEM Ref. #85549
• Fits Tub & Shower



Bagged
Stk. No. _____

30889

PP-8 SINGLE LEVER CARTRIDGE FOR PFISTER AVANTE

OEM Ref. #974-292 – Formerly #974-291
Fits Avante Kitchen, Lavatory, Tub & Shower



Carded
Stk. No. _____

80550

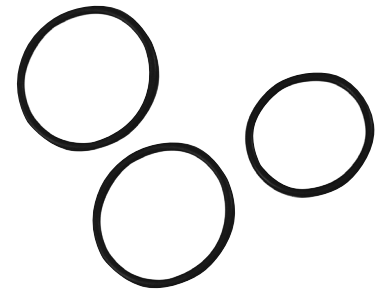
PP-10 CARTRIDGE SEALS FOR PFISTER AVANTE



Carded
Stk. No. _____

88207 (2 per Card)

SPOUT "O" RINGS FOR PFISTER AVANTE DECK



Carded
Stk. No. _____

88753

PP-13 CERAMIC CARTRIDGE FOR PFISTER

Fits Model 533 Kitchen Faucets with Pull-Out Sprayhead



Top

Bottom

Carded Stk. No.	OEM REF No.	Description
-----------------	-------------	-------------

14499	974-170	Faucets Manufactured Through 1996
-------	---------	-----------------------------------

PP-15 CERAMIC CARTRIDGE FOR PFISTER

Fits Model 533 Kitchen Faucets with Pull-Out Sprayhead

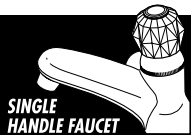


Top

Bottom

Carded Stk. No.	OEM REF No.	Description
-----------------	-------------	-------------

41034	974-570	Faucets Manufactured 1997 to Present
89051	—	Bottom Seal



SINGLE HANDLE FAUCET REPAIRS

COMPLETE CARTRIDGE FOR PFISTER *FLOW-MATIC*

OEM Ref. #900-022

Fits Flow-Matic Series 09 Tub & Shower

- Complete with Cartridge, Gasket, Cam and Screws



Product Carded
Stk. No. Stk. No.

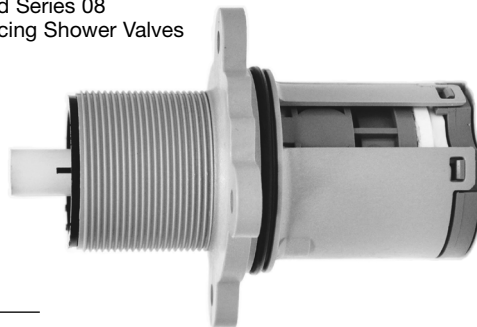
31654 88734

BALANCING CARTRIDGE ASSEMBLY FOR PFISTER *BODY GUARD VALVES*

OEM Ref. #974-042

Fits Body Guard Series 08

Pressure Balancing Shower Valves



Carded
Stk. No.

31649

SR-3 SEATS & SPRINGS ASSEMBLY FOR STERLING

OEM Ref. #A1311

Fits Single Lever Kitchen, Lavatory, Bath



Carded
Stk. No.

80941

SR-4 SINGLE LEVER CARTRIDGE FOR STERLING

OEM Ref. #00A5013

Fits Top Brass Kitchen, Lavatory, Tub & Shower



Carded
Stk. No.

88421

SR-6 SINGLE LEVER CARTRIDGE FOR STERLING

OEM Ref. #00A5023

Fits Top Brass Kitchen Faucets with Spray

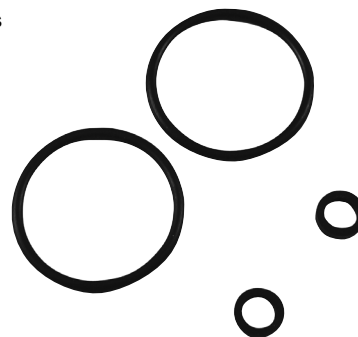


Carded
Stk. No.

88422

SR-7 REPAIR KIT FOR STERLING

Fits All Top Brass Faucets



Carded
Stk. No.

88787

SR-8 SINGLE LEVER CARTRIDGE FOR STERLING

OEM Ref. #05200

- Fits Hybrid Tub & Shower Model Nos. 021 thru 026
- Used on Kohler Coralais Tub & Shower Models K-15101, K-15102



Carded
Stk. No.

88419

SEATS & SPRINGS ASSEMBLY FOR STERLING

OEM Ref. #A01408

- Fits Hybrid Tub & Shower Model Nos. 021 thru 026



Bagged Carded
Stk. No. Stk. No.

31865 88745

SINGLE HANDLE FAUCET REPAIRS



HOT / COLD WASHER SET
FOR SYMMONS
OEM Ref. #C-10/11



Carded
Stk. No. _____

37438

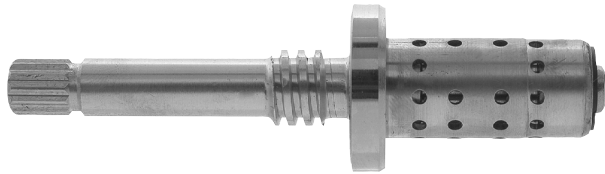
DOME COVER
FOR SYMMONS
OEM Ref. #S-19



Carded
Stk. No. _____

37559

SPINDLE
FOR SYMMONS
OEM Ref. #TA-10



Carded
Stk. No. _____

37622

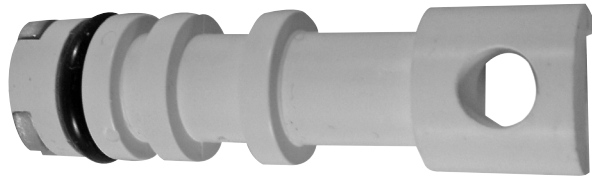
REPAIR KIT FOR TA-10 SPINDLE
FOR SYMMONS
OEM Ref. #TA-9



Carded
Stk. No. _____

38748

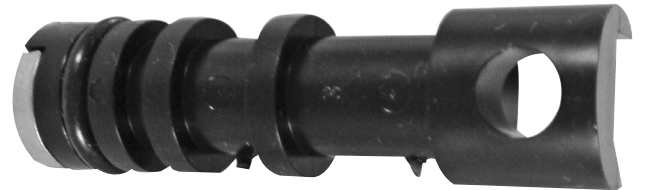
SPINDLE
FOR SYMMONS
OEM Ref. #TA-25A



Carded
Stk. No. _____

38764

SPINDLE
FOR SYMMONS
OEM Ref. #TA-25B



Carded
Stk. No. _____

38765

UR-1 CARTRIDGE
FOR UNIVERSAL RUNDLE
OEM Ref. #R7000

Fits Most Kitchen, Lavatory, Tub & Shower
• Fits Milwaukee



Carded
Stk. No. _____

80959

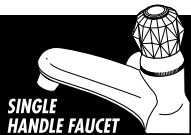
VA-1 SINGLE LEVER CARTRIDGE
FOR VALLEY
OEM Ref. #V-6680

Fits Most Kitchen, Lavatory, Tub & Shower
Manufactured Before October 1986



Bagged Carded
Stk. No. Stk. No. _____

31502Q* 80978



SINGLE HANDLE FAUCET REPAIRS

VA-2 SEALS & SPRINGS FOR VALLEY

OEM Ref. #V-7700/01

Fits Most Kitchen, Lavatory, Tub & Shower
Manufactured Before October 1986



30286
Value Pak

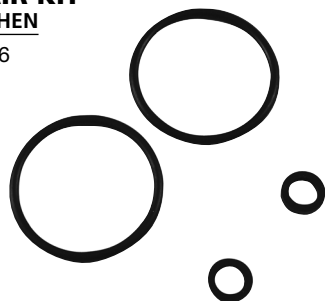


31503Q
(80686)

Bagged Stk. No.	Carded Stk. No.	Description
31503Q*	80686	2 each per Package
30286	—	Pro-Value-Pak (50 each)

VA-500 "O" RING REPAIR KIT FOR VALLEY LAVATORY & KITCHEN

Manufactured After October 1986



Carded Stk. No.	Description
88117	Includes (2) each: VP 1952 Port Seal Rings VP 1987 Spout "O" Rings

FAUCET CARTRIDGE FOR VALLEY TUB & SHOWER

OEM Ref. #V4269

For Tub & Shower Pressure Balance



Carded Stk. No.
88747

VA-3 SINGLE LEVER REPAIR KIT FOR VALLEY

Fits Most Kitchen
Manufactured Before October 1986 with V-6680 Cartridge
• Includes Hex Wrench



Carded Stk. No.
80688

FAUCET CARTRIDGES FOR VALLEY

OEM Ref. #VP1964 & #VP1965

Fits Most Kitchen (*less Spray*) & Lavatory
Manufactured After 1986



88197
VA-4



88198
VA-5



Carded Stk. No.	Description
88197	VA-4 Cartridge <i>non-Diverter</i>
88198	VA-5 Cartridge <i>with Diverter</i>

SINGLE HANDLE FAUCET REPAIRS



SINGLE HANDLE TUB & SHOWER TRIM KITS

TUB & SHOWER TRIM KITS FOR DELTA

- Fits faucets using #70 & #212 balls and Monitor cartridges
- Easy Installation
- Includes various adapter combinations to ensure universal installation with most Delta Tub & Shower
- Includes Acrylic and Metal handles so customers can choose their handle



Stk. No.	Finish
10003	Chrome
10004	Brushed Nickel
10562	Oil Rubbed Bronze

TUB & SHOWER TRIM KIT FOR ELJER & VALLEY

Ideal for Sprucing up Eljer or Valley Single Handle Tub & Shower Valve

- Each kit is conveniently packed in a clam pack and includes an escutcheon plate, sleeve and screws, cap assembly, handle, index button, handle screw and installation instructions
- Stocked in Chrome and PVD Brushed Nickel
- For a complete tub & Shower upgrade, be sure to order matching shower arms and head, tub spout and overflow plate

Easy Do-It-Yourself Installation!
All Parts Included!



28964
Chrome

Stk. No.	Description	Finish
28964	Complete Trim Kit	Chrome

TUB & SHOWER TRIM KITS FOR MIXET SHOWER VALVES

Kit Includes:

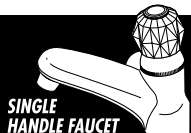
- Temperature & Volume Control Knobs
- Escutcheon

Easy Do-It-Yourself Installation!
All Parts Included!



Stk. No.	Description	Finish
28498	4 1/2" Flange	Chrome

Stk. No.	Description	Finish
28499	5 1/2" Flange	Chrome



SINGLE HANDLE FAUCET REPAIRS

SINGLE HANDLE TUB & SHOWER TRIM KITS

TUB & SHOWER TRIM KITS FOR MOEN

- Fits faucets using regular or posi-temp cartridges
- Easy Installation
- Includes various adapter combinations to ensure universal installation with most Moen Tub & Shower
- Includes Acrylic and Metal handles so customers can choose their handle



Stk. No.	Finish
10001	Chrome
10002	Brushed Nickel
10561	Oil Rubbed Bronze

ALL-IN-ONE TUB & SHOWER TRIM KIT FOR MOEN

- Includes 5-function showerhead, 6" shower arm and flange, trim kit for Moen with 2 handle options, tub spout, overflow plate and EZ Drain cover
- Kit replaces Moen Moentrol series 2200, 2400, 2600 & 2700 with and without diverters in Moen Posi-Temp series 2300 with and without diverters



Stk. No.	Finish	Description
10579	Brushed Nickel	All-In-One Remodeling Kit for Moen

TUB & SHOWER TRIM KIT FOR PFISTER AVANTE MODELS

Ideal for Sprucing up Pfister *Avante* Single Handle Tub & Shower Valve

- Each kit is conveniently packed in a clam pack and includes an escutcheon plate, sleeve and screws, handle, index button, handle screw and installation instructions
- Stocked in Chrome
- For a complete Tub & shower upgrade, be sure to order matching shower arms and heads, tub spouts and overflow plates

**Easy Do-It-Yourself
Installation!
All Parts Included!**



Stk. No.	Description	Finish
28959	Complete Trim Kit	Chrome

FAUCET REPAIR PARTS



FAUCET REPAIR PARTS CABINETS

BULK FAUCET REPAIR PARTS CABINET

- For The Customer Who Prefers to Carry Extra Inventory On The Fastest Moving Component Parts
- Deep-Sized Bins Provide Enough Space So You Won't Run Out of the Most Popular Items
- Each Kit Contains an Easy-To-Read Lid Insert To Provide Actual Product Size for Quick and Easy Positive Identification



Stk. No.	Description
----------	-------------

39942	Bonnet Packing Kit (96 total pieces of 32 different types)
39943	Cap Thread Gasket Kit (96 total pieces of 32 different types)
39944	"O" Ring Kit 'A' (192 total pieces of 32 different types)
39945	"O" Ring Kit 'B' (192 total pieces of 32 different types)
39946	"O" Ring Kit 'C' (150 total pieces of 25 different types)
39947E	Faucet Seat Kit (290 total pieces of 29 different types)
39949	Faucet Washers & Screws Kit (192 total pieces of 32 different types) Washers (29 different types) Screws (3 different types)
82603	Four Drawer Cabinet Empty 20" x 15 $\frac{3}{4}$ " x 15"
82602	Empty Kit only



FAUCET REPAIR PARTS

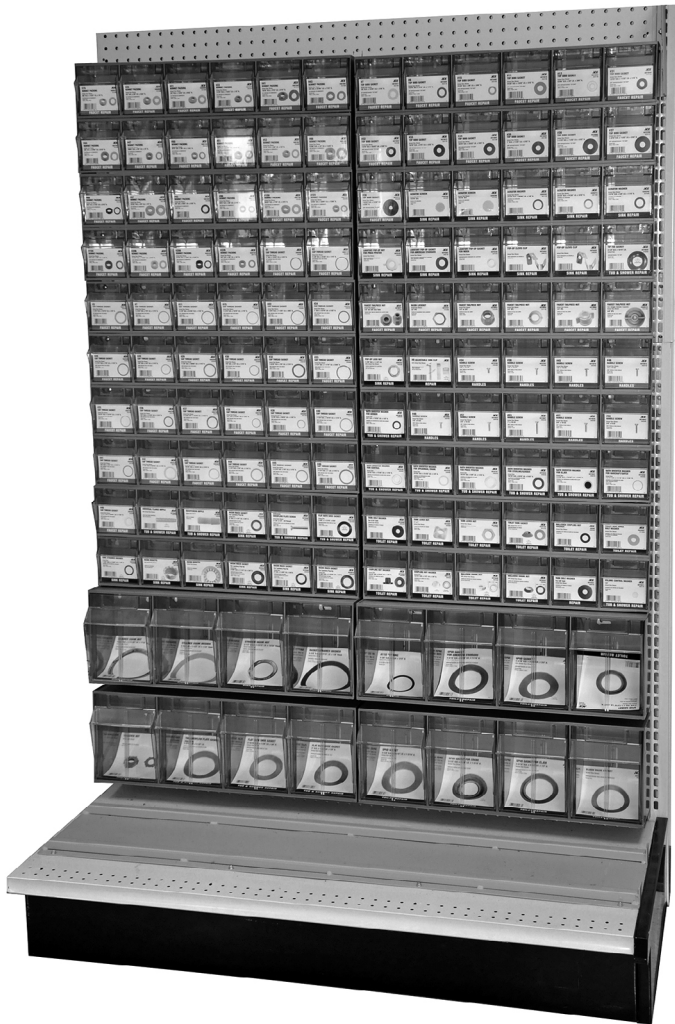
FAUCET REPAIR PARTS

REPAIR PARTS ASSORTMENTS

TIP BIN REPAIR PARTS PROGRAMS

- Converts 8' of Space into 4'
- Parts Packaged in Individual Bags with UPC Codes
- Over 300 Parts Including "O" Rings, Washers, Bonnet Packings, Cap Thread Gaskets, Slip Joint Washers, Screws, etc.

Gondola Not Included

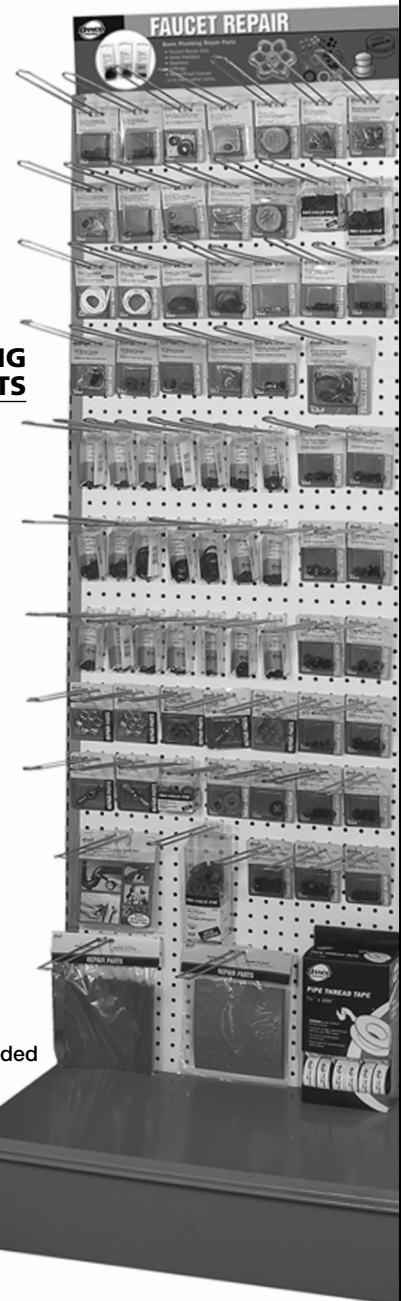


REPAIR PARTS ASSORTMENTS

- Hard-to-Find Products Become Easy To Find When Planogrammed by Category Such As General Repair, Faucet Repair and Supply & Drain
- High Impact Signage Easily Guides Customers To The Right Assortment For Their Repair Needs
- Informative, Consumer-Friendly Language Simplifies The Product Selection Process

FREE MERCHANDISING SYSTEM COMPONENTS

- Aisle Flag
- Header
- Scan Tag Labels
- Planogram



Gondola Not Included

Stk. No.	Description
39704	4' Tip Bin Repair Parts Assortment

Stk. No.	Description
81176A	2' Repair Parts Assortment
81186A	2' Repair Parts Assortment (3 each)

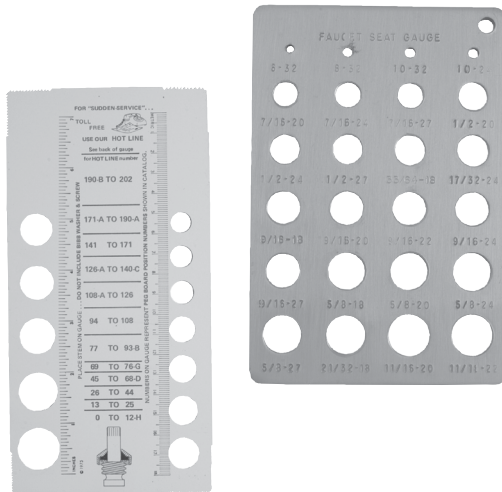
FAUCET REPAIR PARTS



BIBB SEAT KITS & GAUGES

BIBB SEAT GAUGES

- Positive Identification
- Practical
- Easy to Follow Instructions



BULK FAUCET SEAT KITS



Stk. No. Description

60958	Bibb Seat Gauge 8" x 4" — Durable Plastic
60953	Bibb Seat Gauge 6" x 4" — Metal

Stk. No. Description

39947E	Replacement Kit for Faucet Seats
--------	----------------------------------

FAUCET SEAT PACKAGED QUANTITIES

Description	Specification	B 2 per Pak	S 1 per Bag	Z 10 per Bag	K Qty As Shown	Pro Pack 25 per Pak	OEM Ref#	Fits
#2 Faucet Seat	1/2" x 27 Thread	30001E		30001V			40602	Kohler
#5 Faucet Seat	5/8" x 24 Thread	30004E		30004V			Old 165	Central
#7 Faucet Seat	1/2" x 24 Thread	30006E		30006V		30280	263-B BF27	Central Rheem
#10 Faucet Seat	1/2" x 24 Thread	30009E		30009V			22092	Briggs-Republic
#11 Faucet Seat	5/8" x 20 Thread			30010Z			91	Briggs-Republic
#12 Faucet Seat	1/2" x 27 Thread	30011E		30011V			2734	Eljer
#15 Faucet Seat	17/32" x 27 Thread	30014E		30014V			964 11 X-964	Milwaukee Faucet Belvedere Universal Rundle
#17 Faucet Seat	1/2" x 20 Thread			30016V			56534 — 11-188 —	Schaible Sterling Brass Royal Brass Powers-Garvin
#18 Faucet Seat	1/2" x 24 Thread	30017E		30017V		30294	369X 9649 —	Sterling Faucet Royal Brass American Kitchen
#20 Faucet Seat	7/16" x 24 Thread	30019E		30019V		30295	New 862-1	American Standard
#24 Faucet Seat	17/32" x 24 Thread	30023E					P692, Old R-12 6-1 —	Universal Rundle Burlington Brass Sears
#26 Faucet Seat	1/2" x 20 Thread	30025E		30025V			56534	American Kitchen
#27 Faucet Seat	1/2" x 20 Thread	30026E		30026V			Old 6F	Sayco



FAUCET REPAIR PARTS

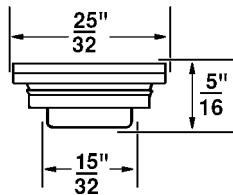
FAUCET REPAIR PARTS

FAUCET SEAT PACKAGED QUANTITIES

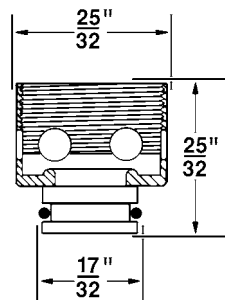
Description	Specification	B		S		Z		K		Pro Pack 25 per Pak	OEM Ref#	Fits
		2 per Pak	1 per Bag	10 per Bag	Qty As Shown	25 per Pak	OEM Ref#					
#28 Faucet Seat	5/8" x 20 Thread	30027E		30027E							90-161, <i>Old</i> 16	Gerber
#38 Faucet Seat	7/16" x 27 Thread	30037B	30037S	30037Z	30037K (10)						970-500	Price Pfister
#39 Faucet Seat	1/2" x 20 Thread	30038E		30038V					30298E		970-510	Price Pfister
#44 Faucet Seat	1/2" x 20 Thread	30043E		30043V							57281-07	American Standard
#48 Faucet Seat	1/2" x 28 Thread	30047E									638-0	Indiana Brass
#51 Faucet Seat	1/2" x 20 Thread	30050E										Amer/Empire Brass
#52 Faucet Seat	1/2" x 24 Thread	30051E										Amer/Empire Brass
#54 Faucet Seat	9/16" x 18 Thread	30053E		30053V							1848-07	American Standard
#56 Faucet Seat	15/32"	30055E		30055V				30282		23004		Kohler
#65 Faucet Seat	9/16" x 20 Thread	30064E									6311	Harcraft
#68 Faucet Seat	5/8" x 18 Thread	30067E		30067V				30281		2632		Union Brass
#70 Faucet Seat	1/2" x 20 Thread	30069E		30069V							5257	Eljer
#74 Faucet Seat	9/16" x 27 Thread			30073Z							590-0	Indiana Brass
#79 Faucet Seat	1/2" x 24 Thread	30078E		30078V							108-25	Streamway
#91 Faucet Seat	7/16" x 24 Thread			30090Z							1663-07	American Standard
#93 Faucet Seat	1/2" x 27 Thread	30092E		30092V							20774	Kohler
#102 Faucet Seat	5/8" x 20 Thread		30101S		30101K (10)						OS-6	Sayco
#106 Faucet Seat	9/16" x 18 Thread	30105E		30105V							F14301 1112-18B	Crane Repcal
#107 Faucet Seat	5/8" x 18 Thread		30106S								2634	Union Brass
#113 Faucet Seat	1/2" x 20 Thread	30112E		30112V				30299		<i>New</i> 6F		Sayco
#117 Faucet Seat	1/2" x 24 Thread	30116E		30116V							950-25	Streamway
#120 Faucet Seat	5/8" x 20 Thread		30119S								16	Arrowhead
#138 Faucet Seat	1/2" x 20 Thread	30137E		30137V							970-20	Streamway
#142 Faucet Seat	1/2" x 20 Thread	30141E		30141V							980-20	Streamway
#146 Faucet Seat	7/16" x 24 Thread	30145E		30145Z							44257-04	American Standard

REPLACEMENT FAUCET SEATS & BIBB SEAT

NO THREAD

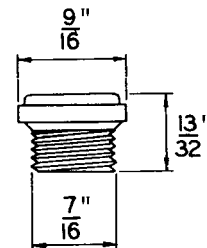


Stk. No. 30055 0 Thd
Faucet Seat No. 56 Plain Brass
Repairs... Kohler



Stk. No. 30093 0 Thd
Faucet Seat No. 94 Plain Brass
Repairs... Universal Rundle,
Elkay, Sears, Federal Huber

7/16"



Stk. No. 30091 20 Thd
Faucet Seat No. 92 Plain Brass
Repairs... Borg-Warner

FAUCET REPAIR PARTS



REPLACEMENT BIBB SEATS

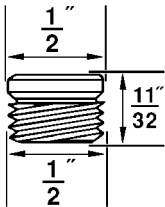
7/16"		1/2"	
<p>Stk. No. 30019 24 Thd Faucet Seat No. 20 Plain Brass Repairs... American Standard</p>	<p>Stk. No. 30145 24 Thd Faucet Seat No. 146 Plain Brass Repairs... American Standard</p>	<p>Use Bibb Seat Wrench Stk. No. 37668</p> <p>Stk. No. 30112 20 Thd Faucet Seat No. 113 Plain Brass Repairs... Sayco</p>	<p>Stk. No. 30050 20 Thd Faucet Seat No. 51 Plain Brass Repairs... American Brass Empire Brass</p>
1/2"			
<p>Use Bibb Seat Wrench Stk. No. 37668</p> <p>Stk. No. 30026 20 Thd Faucet Seat No. 27 Plain Brass Repairs... Sayco</p>	<p>Stk. No. 30069 20 Thd Faucet Seat No. 70 Plain Brass Repairs... Eljer</p>	<p>Stk. No. 30038 20 Thd Faucet Seat No. 39 Plain Brass Repairs... Price Pfister Sinclare</p> <p>Stk. No. 30239E 20 Thd Stainless Steel</p>	<p>Stk. No. 30025 20 Thd Faucet Seat No. 26 Plain Brass Repairs... American Kitchen</p>
<p>Stk. No. 30016 20 Thd Faucet Seat No. 17 Plain Brass Repairs... Schaible, Sterling Brass Royal Brass Powers Garvin, (Bardes)</p>	<p>Stk. No. 30043 20 Thd Faucet Seat No. 44 Plain Brass Repairs... American Standard Colony</p>	<p>Stk. No. 30137 20 Thd Faucet Seat No. 138 Plain Brass Repairs... Streamway</p>	<p>Stk. No. 30141 20 Thd Faucet Seat No. 142 Plain Brass Repairs... Streamway</p>



FAUCET REPAIR PARTS

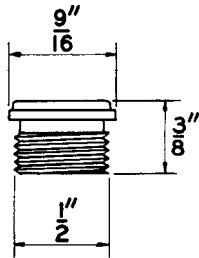
REPLACEMENT BIBB SEATS

1/2"



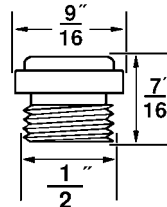
Stk. No. 30078 24 Thd

Faucet Seat No. 79 Plain Brass
Repairs... Streamway



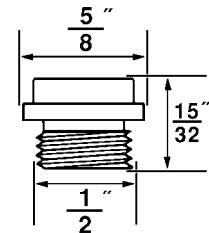
Stk. No. 30017 24 Thd

Faucet Seat No. 18 Plain Brass
Repairs... Sterling Faucet
American Kitchen



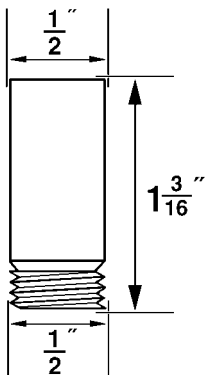
Stk. No. 30009 24 Thd

Faucet Seat No. 10 Plain Brass
Repairs... Briggs-Republic



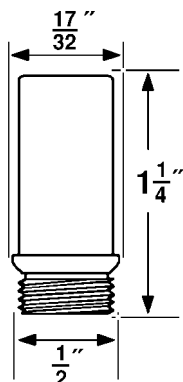
Stk. No. 30006 24 Thd

Faucet Seat No. 7 Plain Brass
Repairs... Central, Rheem



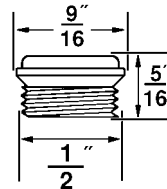
Stk. No. 30116 24 Thd

Faucet Seat No. 117 Plain Brass
Repairs... Streamway



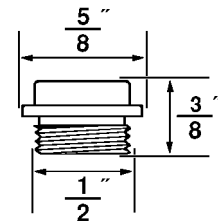
Stk. No. 30051 24 Thd

Faucet Seat No. 52 Plain Brass
Repairs... American Brass
Empire Brass



Stk. No. 30092 27 Thd

Faucet Seat No. 93 Plain Brass
Repairs... Kohler

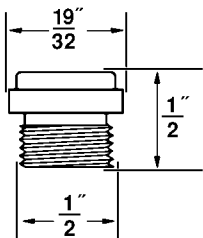


Stk. No. 30001 27 Thd

Faucet Seat No. 2 Plain Brass
Repairs... Kohler

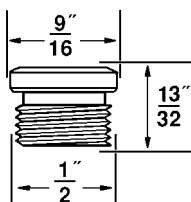
1/2"

17/32"



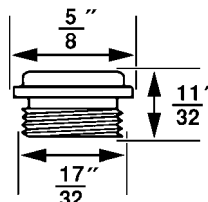
Stk. No. 30011 27 Thd

Faucet Seat No. 12 Plain Brass
Repairs... Eljer



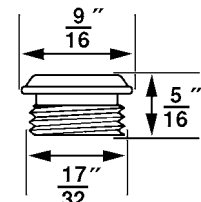
Stk. No. 30047 28 Thd

Faucet Seat No. 48 Plain Brass
Repairs... Indiana Brass



Stk. No. 30023 24 Thd

Faucet Seat No. 24 Plain Brass
Repairs... Universal Rundle, Sears
Burlington Brass



Stk. No. 30014 27 Thd

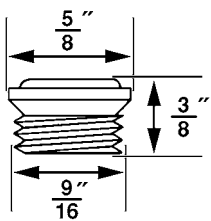
Faucet Seat No. 15 Plain Brass
Repairs... Milwaukee Faucet
Belvedere
Universal Rundle

FAUCET REPAIR PARTS



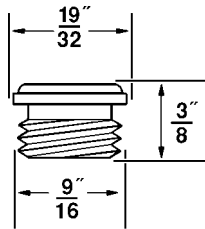
REPLACEMENT BIBB SEATS

9/16"



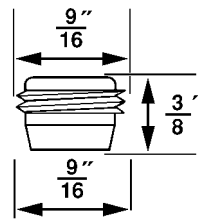
Stk. No. 30053 18 Thd

Faucet Seat No. 54 Plain Brass
Repairs... American Standard
Tract-Line



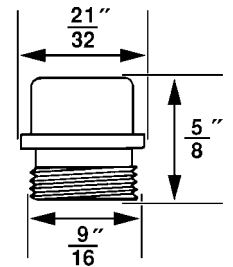
Stk. No. 30105 18 Thd

Faucet Seat No. 106 Plain Brass
Repairs... Crane-Repcal



Stk. No. 30064 20 Thd

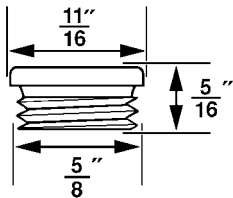
Faucet Seat No. 65 Plain Brass
Repairs... Harcraft & Rodac



Stk. No. 30073 27 Thd

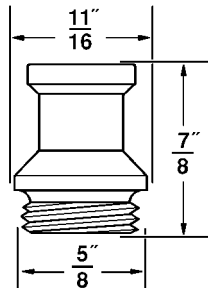
Faucet Seat No. 74 Plain Brass
Repairs... Indiana Brass

5/8"



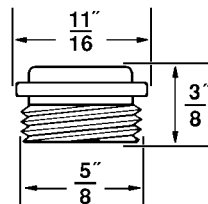
Stk. No. 30067 18 Thd

Faucet Seat No. 68 Plain Brass
Repairs... Union Brass



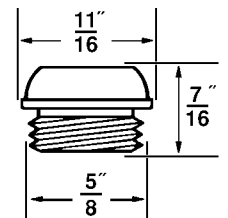
Stk. No. 30106 18 Thd

Faucet Seat No. 107 Plain Brass
Repairs... Union Brass



Stk. No. 30101 20 Thd

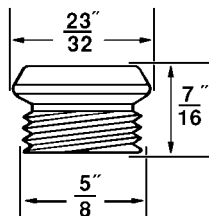
Faucet Seat No. 102 Plain Brass
Repairs... Sayco



Stk. No. 30027 20 Thd

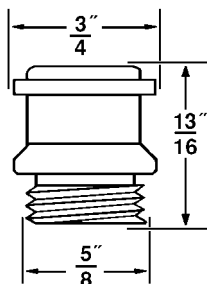
Faucet Seat No. 28 Plain Brass

5/8"



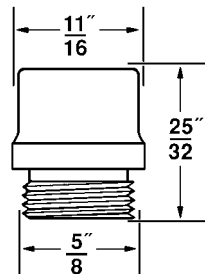
Stk. No. 30119 20 Thd

Faucet Seat No. 120 Plain Brass
Repairs... Arrowhead



Stk. No. 30010 20 Thd

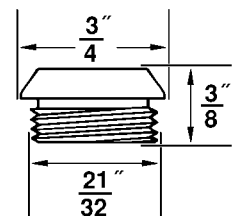
Faucet Seat No. 11 Plain Brass
Repairs... Briggs-Republic



Stk. No. 30004 24 Thd

Faucet Seat No. 5 Plain Brass
Repairs... Central

21/32"



Stk. No. 30037 18 Thd

Faucet Seat No. 38 Plain Brass



FAUCET REPAIR PARTS

"O" RINGS

Description	OD	ID	Wall	Bag Qty 1	Bulk Qty 20	Kit Qty As Shown	Carded Qty 10	AS 568B #s	Fits...
#1 "O" Ring	21/32"	13/32"	1/8"	35721B	35721W	35721K-24/Kit	10376		Barnes, Crane, Dialese, Kohler, Western
#5 "O" Ring	3/8"	1/4"	1/16"	35722B	35722W	35722K-36/Kit	96722	010	Acme, Calco, Crane, Cuthbert, Dishmaster, Kohler Ftn., Schaible, Speakman, Sloan, Tracy, Waltec
#6 "O" Ring	7/16"	5/16"	1/16"	35723B	35723W	35723K-36/Kit	96723	011	Central, Crane, Cuthbert, Indiana, Kohler, Mueller, Sloan, Speakman, Sterling, Wallaceburg, Waltec
#7 "O" Ring	1/2"	3/8"	1/16"	35724B	35724W	35724K-36/Kit	96724	012	American Standard, Kohler, Michigan Brass, Mueller, Powers, Sayco, Sears Harmony, Universal Rundle, Waltec, Watrous
#8 "O" Ring	9/16"	3/8"	3/32"	35725B	35725W	35725K-36/Kit	96725	110	American Brass, Aqualine, Arrowhead, Cuthbert, Cygnet, General Tire, Gerber, Grand Haven, Harcraft, Indiana, Jameco, Price Pfister, Savoy, Sayco, Sinclair, Speakman, Sterling, Teck, Valley, Waltec, Western Brass
#9 "O" Ring	5/8"	7/16"	3/32"	35726B	35726W	35726K-36/Kit	96726		American Kitchen, Barnes, Central, Crane Hi-Lo B/C, Gerber, Gyro, Indiana, Kohler, Michigan Brass, Salter, Savoy, Scovill, Speakman, Symmons
#10 "O" Ring	11/16"	1/2"	3/32"	35727B	35727W	35727K-36/Kit	96727		Alamark, Cuthbert, Duomaster #10, Eljer, Gerber, Indiana, Moen, Speakman, Watrous, Wolverine
#11 "O" Ring	3/4"	9/16"	3/32"	35728B	35728W	35728K-30/Kit	96728		Barnes, Central, Crane, Cuthbert, Dick Brothers, Dishmaster, Grand Haven, Jameco, Kohler, Milwaukee, Mueller, Mullins, Price Pfister, Schaible, Speakman, Stanadyne, Sterling, Teck, Youngstown
#12 "O" Ring	13/16"	5/8"	3/32"	35729B	35729W	35729K-24/Kit	96729	114	Arrowhead, Cuthbert, McDonald, Moen, Mueller, Price Pfister, Speakman, Standard, Universal Rundle, Waltec, Watrous
#13 "O" Ring	7/8"	11/16"	3/32"	35730B	35730W	35730K-24/Kit	96730	115	Alamark, American Kitchen, American Standard, Barnes, Briggs Republic, Central, Cuthbert, Dishmaster, Gopher, Jameco, Kohler, Mueller, Mullins, Schaible, Sears, Tracy, Universal Rundle
#14 "O" Ring	15/16"	3/4"	3/32"	35731B	35731W	35731K-18/Kit	96731		Cuthbert, Gerber, Gopher, Harvey, Indiana, Kohler, McDonald, Sayco, Speakman, Standard, Union Brass, Valley, Youngstown
#15 "O" Ring	1"	3/4"	1/8"	35732B	35732W	35732K-12/Kit	96732		Crane
#16 "O" Ring	1-1/16"	13/16"	1/8"	35733B	35733W	35733K-12/Kit	10373		American Kitchen, Crosley, Eljer, Gyro Hotpoint, Moen, Youngstown
#17 "O" Ring	1-1/16"	7/8"	3/32"	35734B	35734W	35734K-18/Kit	96734	118	Alamark, American Kitchen, American Standard, Crosley, Schaible, Speakman, Sterling, Youngstown
#18 "O" Ring	1-3/16"	15/16"	1/8"	35735B	35735W	35735K-12/Kit	96735	213	Speakman "Time-Saver" Hub, Wolverine
#19 "O" Ring	1-1/4"	1"	1/8"	35736B	35736W	35736K-12/Kit	10359	214	Groen, Speakman, Zurn
#20 "O" Ring	1-3/16"	1"	3/32"	35737B	35737W	35737K-18/Kit	10361		Alamark, American Standard, Static Seal for Aqua Seal, Eljer, Jameco, Speakman, Teck
#21 "O" Ring	5/8"	15/32"	3/64"	35738B	35738W	35738K-36/Kit			American Standard Bonnet Packing for Aqua Seal, Cole
#25 "O" Ring	1-1/2"	1-5/16"	3/32"	35739B	35739W	35739K-12/Kit		125	Delta Single Lever, Valley
#26 "O" Ring	1-3/16"	1-1/16"	1/16"	35740B	35740W	35740K-24/Kit		023	American Standard, Cuthbert, Schaible, Waltec, Youngstown Single Lever
#27 "O" Ring	1-1/8"	7/8"	1/8"	35741B	35741W	35741K-9/Kit		212	Alamark, Delta/Delex, Harcraft, Moen 42E, Repcal, Sterling, Tracy
#28 "O" Ring	5/8"	1/2"	1/16"	35742B	35742W	35742K-36/Kit	10362	014	Cuthbert, Delta Diverter Assembly, Kohler
#29 "O" Ring	1-1/4"	1-1/8"	1/16"	35743B	35743W	35743K-24/Kit	10366	024	Delta Cam Assembly, Symmons
#30 "O" Ring	7/8"	3/4"	1/16"	35744B	35744W	35744K-36/Kit	96744	018	American Standard, Kohler, Speakman, Symmons, Teck, Waltec
#31 "O" Ring	9/16"	5/16"	1/8"	35745B	35745W	35745K-36/Kit	96745	203	Crane Magic-Close, Delta/Delex, Eljer
#32 "O" Ring	15/16"	13/16"	1/16"	35746B	35746W	35746K-36/Kit	10369	019	Gerber, Granning, Harcraft, Kohler, Waltec
#33 "O" Ring	1-1/16"	15/16"	1/16"	35747B	35747W	35747K-36/Kit	10383	021	American Standard Single Control (Push-Pull), Harcraft, Kohler, Sayco, Speakman, Symmons
#34 "O" Ring	1-1/2"	1-1/4"	1/8"	35748B	35748W	35748K-8/Kit	10365	218	Delta, Moen 42-E, Sloan, Symmons
#35 "O" Ring	11/16"	9/16"	1/16"	35749B	35749W	35749K-36/Kit	96749	015	American Standard Single Control (Push-Pull), Harcraft, Sayco, Waltec
#36 "O" Ring	5/16"	3/16"	1/16"	35750B	35750W	35750K-36/Kit	96750	008	American Standard B/C Plunger, Kohler B/C, Speakman Self Closing Faucets, Waltec
#37 "O" Ring	1-7/8"	1-11/16"	3/32"	35751B	35751W	35751K-8/Kit		131	Crane
#38 "O" Ring	1-3/4"	1-9/16"	3/32"	35752B	35752W	35752K-8/Kit	10391	129	Nile, Peerless, Valley
#39 "O" Ring	1-7/16"	1-5/16"	1/16"	35753B	35753W		10388	027	Moen Spout, Nile
#40 "O" Ring	3/4"	5/8"	1/16"	35754B	35754W	35754K-36/Kit	96754	016	American Standard, Crane, Symmons

FAUCET REPAIR PARTS



FAUCET REPAIR PARTS

"O" RINGS

Description	OD	ID	Wall	Bag Qty 1	Bulk Qty 20	Kit Qty As Shown	Carded Qty 10	AS 568B #s	Fits...
#41 "O" Ring	9/16"	7/16"	1/16"	35755B	35755W	35755K-36/Kit	96755	013	Kohler, Price Pfister, Wallaceburg, Waltec
#42 "O" Ring	11/16"	1/2"	3/32"	35756B	35756W	35756K-24/Kit		112	Gyro, Moen (Hard Compound)
#43 "O" Ring	1-3/8"	1-1/8"	1/8"	35757B	35757W	35757K-8/Kit	10367	216	Alamark, Moen
#44 "O" Ring	1-9/16"	1-5/16"	1/8"	35758B	35758W	35758K-8/Kit	10387	219	Cuthbert, Moen Spout
#45 "O" Ring	1-3/8"	1-3/16"	3/32"	35759B	35759W	35759K-12/Kit	10374	123	Delta/Delex, Sloan
#46 "O" Ring	2"	1-5/8"	7/32"	35760B	35760W				Atlantic Waste, Franklin Waste
#47 "O" Ring	11/32"	7/32"	1/16"	35761B	35761W	35761K-36/Kit	96761	009	Kohler Flush Valve, Waltec
#48 "O" Ring	5/8"	3/8"	1/8"	35762B	35762W	35762K-12/Kit	10378	204	Streamway
#49 "O" Ring	1-7/8"	1-5/8"	1/8"	35763B	35763W	35763K-6/Kit	10389	223	Various
#50 "O" Ring	1-5/8"	1-7/16"	3/32"	35764B	35764W	35764K-12/Kit	10390	127	Cole
#51 "O" Ring	1-5/8"	1-1/2"	1/16"	35765B	35765W			029	Speakman Single Lever
#52 "O" Ring	1-3/4"	1-5/8"	1/16"	35766B	35766W	35766K-18/Kit	10393	030	Speakman Single Lever, Waltec
#53 "O" Ring	3/4"	5/8"	3/64"	35767B	35767W	35767K-36/Kit			American Standard Push-Pull Lavatory, Cuthbert
#54 "O" Ring	11/16"	9/16"	1/16"	35768B	35768W	35768K-36/Kit			American Standard Push-Pull Bath
#55 "O" Ring	1-5/16"	1-3/16"	1/16"	35769B	35769W	35769K-24/Kit	10375	025	American Standard Push-Pull Bath
#56 "O" Ring	1-1/2"	1-3/8"	1/16"	35770B	35770W	35770K-18/Kit		028	Jameco, Valley Single Lever, Waltec
#57 "O" Ring	1"	13/16"	3/32"	35771B	35771W	35771K-18/Kit		117	Crane Spout, Cuthbert, Valley Single Lever
#58 "O" Ring	1-5/16"	1-1/8"	3/32"	35772B		35772K-18/Kit		122	Sterling Pop-Up
#59 "O" Ring	1-7/8"	1-11/16"	3/32"	35773B	35773W	35773K-8/Kit			Crane Spout
#60 "O" Ring	1/4"	1/8"	1/16"	35774B	35774W	35774K-36/Kit	96774	006	Minneapolis-Honeywell Control
#61 "O" Ring	9/32"	5/32"	1/16"	35775B	35775W	35775K-36/Kit	10379	007	Thrush Valves
#62 "O" Ring	1-1/8"	15/16"	3/32"	35776B	35776W	35776K-12/Kit	10377	119	Delta/Delex, Eljer, Teck, Waltec
#63 "O" Ring	1-5/16"	1-1/16"	1/8"	35777B	35777W	35777K-12/Kit	10364	215	Wolverine
#64 "O" Ring	1-5/16"	1-1/8"	3/32"	35778B	35778W	35778K-12/Kit	10368		Symmons Mon-O-Mixer
#65 "O" Ring	1-7/8"	1-3/4"	1/16"	35779B	35779W	35779K-8/Kit	10384	031	Kohler, Powers Regulator
#66 "O" Ring	1"	7/8"	1/16"	35780B	35780W	35780K-36/Kit	10381	020	Harcraft
#67 "O" Ring	13/16"	11/16"	1/16"	35784B	35784W	35784K-36/Kit	96784	017	Cuthbert, Delta/Delex, Valley, Wallaceburg, Waltec
#72 "O" Ring	19/32"	3/8"	7/64"	35785B					Streamway
#73 "O" Ring	2-3/16"	2"	3/32"	35720B		35720K-6/Kit		136	American Standard
#74 "O" Ring	39/64"	3/8"	7/64"	35719B	35719W	35719K-12/Kit			Streamway
#76 "O" Ring	1-9/16"	1-3/8"	3/32"	35717B		35717K-8/Kit		126	Carefree, Universal Rundle
#77 "O" Ring	1-1/4"	1-1/16"	3/32"	35716B	35716W	35716K-12/Kit		121	Carefree, Universal Rundle
#78 "O" Ring	7/16"	1/4"	3/32"	35715B	35715W	35715K-36/Kit	96715	108	Carefree, Streamway, Universal Rundle
#80 "O" Ring	51/64"	41/64"	5/64"	35714B	35714W	35714K-36/Kit	10380	022	American Standard, Valley Faucet
#81 "O" Ring	1-1/8"	1"	1/16"	35713B	35713W	35713K-12/Kit	10360		Symmons, Woodford
#82 "O" Ring	1-3/8"	1-1/4"	1/16"	35712B	35712W			026	Sloan
#83 "O" Ring	1/2"	5/16"	3/32"	35711B	35711W	35711K-18/Kit	96711	109	American Standard, Gerber
#84 "O" Ring	1-7/16"	1-1/4"	3/32"	35710B	35710W	35710K-8/Kit		124	Various
#85 "O" Ring	1-5/8"	1-7/16"	3/32"	35709B		35709K-8/Kit			Bradley, Cole
#86 "O" Ring	1-11/16"	1-1/2"	3/32"		35708W			128	Various
#87 "O" Ring	1-13/16"	1-5/8"	3/32"	35707B	35707W			130	Union Brass
#88 "O" Ring	2-1/8"	1-15/16"	3/32"	35706B	35706W			135	Various
#89 "O" Ring	2-3/16"	2"	3/32"	35705B	35705W				American Standard
#90 "O" Ring	1/2"	1/4"	1/8"	35870B	35870W	35870K-18/Kit	10363	202	Streamway
#91 "O" Ring	11/16"	7/16"	1/8"	35871B	35871W	35871K-18/Kit			Crane, Kohler
#92 "O" Ring	3/4"	1/2"	1/8"	35872B	35872W	35872K-18/Kit		206	Various
#93 "O" Ring	13/16"	9/16"	1/8"	35873B	35873W	35873K-12/Kit		207	Various
#94 "O" Ring	7/8"	5/8"	1/8"	35874B	35874W	35874K-12/Kit		208	Moen, Various
#95 "O" Ring	15/16"	11/16"	1/8"	35875B	35875W	35875K-12/Kit		209	Various
#96 "O" Ring	1-7/16"	1-3/16"	1/8"	35876B	35876W	35876K-5/Kit		217	Various
#97 "O" Ring	1-5/8"	1-3/8"	1/8"	35877B	35877W	35877K-8/Kit		220	Various
#98 "O" Ring	1-11/16"	1-7/16"	1/8"		35878W			221	Various
#99 "O" Ring	1-3/4"	1-1/2"	1/8"	35879B	35879W			222	Various
#100 "O" Ring	2"	1-3/4"	1/8"	35880B	35880W			224	Powers



FAUCET REPAIR PARTS

FAUCET REPAIR PARTS

"O" RINGS

Description	OD	ID	Wall	Bag Qty 1	Bulk Qty 20	Kit Qty As Shown	Carded Qty 10	AS 568B #s	Fits...
#101 "O" Ring	2"	1-5/8"	7/32"	35881B	35881W				Atlantic, Franklin, Klein
#103 "O" Ring	2-3/32"	1-27/32"	1/8"	75099B	75099W				Various
#104 "O" Ring	2-1/2"	1-11/16"	13/32"	35831B	35831W				Franklin Waste
#106 "O" Ring	2-1/16"	1-7/8"	3/32"	31634B				134	American Standard
#107 "O" Ring	1-7/8"	1-1/2"	3/16"		14633 (bulk)			325	Various
#109 "O" Ring	2-1/4"	1-7/8"	3/16"	14639B	14639W			328	Various
#110 "O" Ring	2-3/8"	2"	3/16"	14641B	14641W			329	Various
#111 "O" Ring	2-1/2"	2-1/8"	3/16"		14644W			330	Various
#112 "O" Ring	2-5/8"	2-1/4"	3/16"		14648W			331	Various
#113 "O" Ring	2-3/4"	2-3/8"	3/16"		14660W			332	Various
#114 "O" Ring	2-7/8"	2-1/2"	3/16"		14661W			333	Various
#115 "O" Ring	3"	2-5/8"	3/16"		14662W			334	Various
#116 "O" Ring	3-1/2"	3-1/8"	3/16"		14664W			338	Various
#117 "O" Ring	3-3/4"	3-1/2"	1/8"	14666B	14666W			238	Various
#118 "O" Ring	3-3/4"	3-3/8"	3/16"		14671W			340	Various
#119 "O" Ring	3-7/8"	3-5/8"	1/8"		14672W			239	Various
#120 "O" Ring	4"	3-3/4"	1/8"		14673W			240	Various
#121 "O" Ring	4-1/8"	3-7/8"	1/8"		14676W				Various
#122 "O" Ring	5-7/8"	5-5/8"	1/8"		14679W			255	Various
"O" Ring	2-7/8"	2-3/4"	1/16"		14501W			039	
"O" Ring	2-9/16"	2-3/8"	3/32"	14551B				142	
"O" Ring	2-7/8"	2-5/8"	1/8"	14553B				231	
"O" Ring	5-5/8"	5-1/4"	3/16"	14695B				355	
"O" Ring	1-15/16"	1-3/4"	3/32"	31689B				132	Price Pfister

ASSORTED LARGE SIZE "O" RING KIT #1

- "O" Rings from 1⁷/₈" O.D. to 2³/₈" O.D.



Stk. No. Description

10711 Contains: 6 Different Sizes for a total of 6 pieces

ASSORTED LARGE SIZE "O" RING KIT #2

- "O" Rings from 2¹/₂" O.D. to 3¹/₂" O.D.

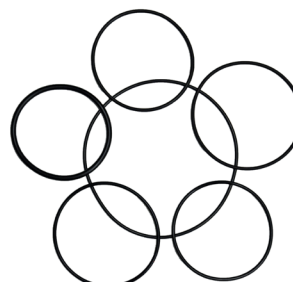


Stk. No. Description

10712 Contains: 6 Different Sizes for a total of 6 pieces

ASSORTED LARGE SIZE "O" RING KIT #3

- "O" Rings from 3³/₈" O.D. to 5⁵/₈" O.D.



Stk. No. Description

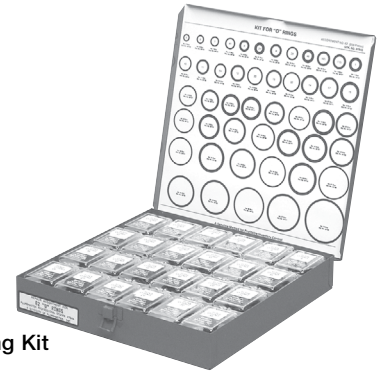
10714 Contains: 6 Different Sizes for a total of 6 pieces

"O" RINGS

POPULAR "O" RING KITS

- Kits are Available with the Most Popular "O" Rings
- Silicone Treated Rubber Withstands Harsh Chemicals in the Water
- Metal Box with Locking Lid and Handle
- Each Size Comes in Individual Kit Boxes

34443 "O" Ring Kit
34443



#62 "O" Ring Kit
37846

Stk. No.	Description
----------	-------------

- | | |
|-------|---|
| 34443 | Assortment Kit for "O" Rings
Includes 12 Assorted Sizes for a total of 200 Pieces |
| 37846 | #62 Kit for "O" Rings
Includes 48 Assorted Sizes for a total of 288 Pieces |

"O" RING KITS

- Silicone Treated Rubber Withstands Harsh Chemicals in the Water
- Sturdy Plastic Box with Snap Lid



Stk. No.	Description
----------	-------------

- | | |
|-------|---|
| 39968 | Kit Includes 12 Different Sizes for a total of 180 Pieces |
| 39989 | Kit Includes 24 Different Sizes for a total of 382 Pieces |

BULK "O" RING KITS

- Silicone Treated Rubber Withstands Harsh Chemicals in the Water
- Metal Box with Handle



Stk. No.	Description
----------	-------------

- | | |
|-------|---|
| 39944 | Replacement Kit "A" Contains: 32 Different Sizes for a total of 192 pieces |
| 39945 | Replacement Kit "B" Contains: 32 Different Sizes for a total of 192 pieces |
| 39946 | Replacement Kit "C" Contains: 25 Different Sizes for a total of 150 pieces |

LARGE SIZE "O" RING KIT

- "O" Rings from 1 $\frac{1}{8}$ " O.D. to 5 $\frac{7}{8}$ " O.D.



Stk. No.	Description
----------	-------------

- | | |
|-------|--|
| 14682 | Contains: 19 Different Sizes for a total of 100 pieces |
|-------|--|



FAUCET REPAIR PARTS

"O" RINGS

DANCO'S "O" RING SPLICING KIT

- Make Your Own "O" Rings
- Reduce Downtime
- Contains All Materials and Tools Needed To Produce Stationary "O" Rings On-The-Spot!

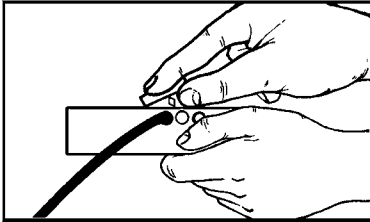
The DANCO "O" Rings Splicing Kit lets you make your own "O" Rings when you need them and where you need them. The kit contains: adhesive, splicing fixture and four of the most commonly used sizes of cord stock. You can get your equipment back in operation fast with the DANCO "O" Ring Splicing Kit.



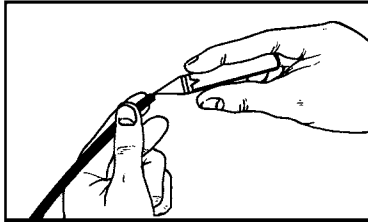
Box Dimensions:
8⁵/₈" x 13" x 2¹/₄"

EASY TO USE

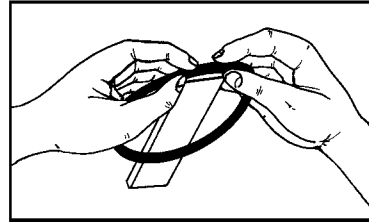
Cut Cord to Length



Apply Adhesive



Press Ends Together



Refills

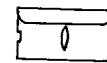
Stk. No.	Description	
* • 97549	Adhesive	1/3 oz. bottle
* • 61257	Splicing Fixture	
* 74692	1/16" Buna-N Cord	6'
* • 74737	3/32" Buna-N Cord	6'
* • 74738	1/8" Buna-N Cord	6'
* • 74739	3/16" Buna-N Cord	6'
* • 74740	1/4" Buna-N Cord	6'
* 74693	5/16" Buna-N Cord	6'
* 74694	3/8" Buna-N Cord	6'
* 74695	1.6mm Buna-N Cord	6'
* 74696	2.4mm Buna-N Cord	6'
* 74697	3.0mm Buna-N Cord	6'
* 74698	5.7mm Buna-N Cord	6'
* 74699	8.4mm Buna-N Cord	6'



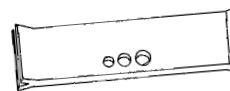
ADHESIVE



CORD



RAZOR BLADE



SPLICING FIXTURE

Buna-N Rubber Cord Stock

Nominal Size	Actual Size	Nominal Size	Actual Size
1/16"	.070	38"	.375
3/32"	.103	1.6mm	.063
1/8"	.139	2.4mm	.094
3/16"	.210	3.0mm	.118
1/4"	.275	5.7mm	.224
5/16"	.313	8.4mm	.331

Cord Stock Specifications:

The Buna-N Rubber Cord Stock meets the following specifications:

SAE 102 R. Class 1
MIL R 3065

ASTM-D-2000-2BG715
Shore A Hardness: 70 ±5

Stk. No.	Description
61268	Master "O" Ring Splicing Kit (Complete) Contains: 1/3 oz. Bottle of Adhesive, Splicing Fixture, Razor Blade, 6' each of all Buna-N Cord Listed above

- * Contained in Kit #61268
- Contained in Kit #61260

Splicing fixture made under U.S. Patent 3,341,870 and D-206,551

FAUCET REPAIR PARTS

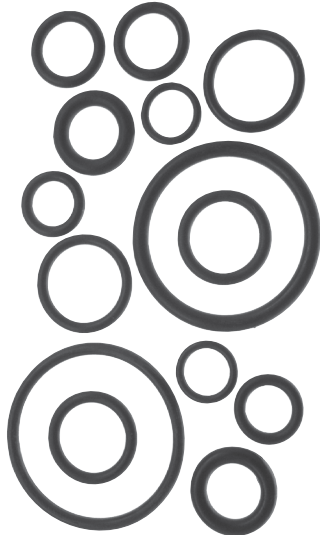


FAUCET REPAIR PARTS

"O" RINGS

CARDED "O" RING ASSORTMENT

Contains:
 (2) Each of:
 35721, 35724, 35725, 35726, 35728, 35729
 (1) Each of:
 35739, 35748



Stk. No.	Description
80788	Contains: 14 Total Pieces

"O" RING PICK

Provides a Quick and Easy Means of Removing Worn Out "O" Rings That Have To Be Replaced



"O" Ring Pick



Waterproof Grease

Product Stk. No.	Carded Stk. No.	Description
35783	86713	"O" Ring Pick
—	86711	"O" Ring Pick & ½ oz. Waterproof Grease

GREASE

Use as a Lubricant on Faucets and Stems



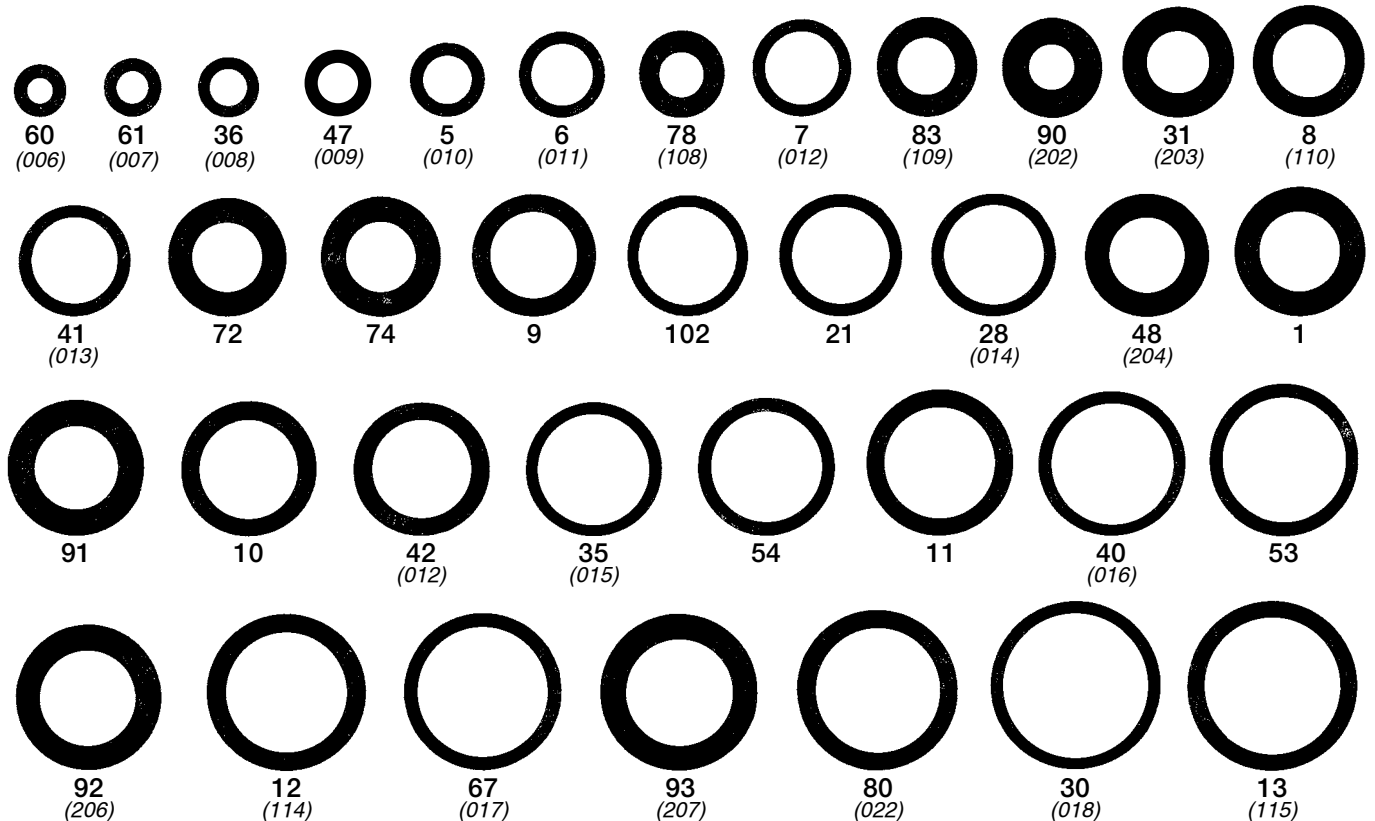
80360
Waterproof Grease



88693
Silicone Grease

Carded Stk. No.	Description
80360	½ oz. Waterproof Grease
88693	½ oz. Silicone Grease

ALL "O" RING DRAWINGS ARE ACTUAL SIZE

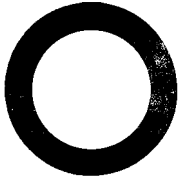




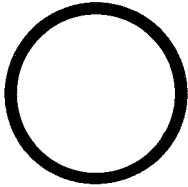
FAUCET REPAIR PARTS

"O" RINGS

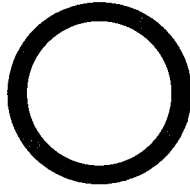
ALL "O" RING DRAWINGS ARE ACTUAL SIZE



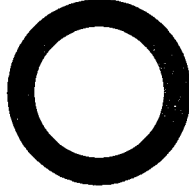
94
(208)



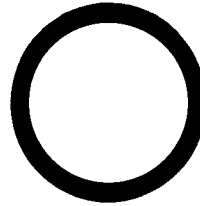
32
(019)



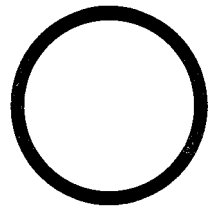
1



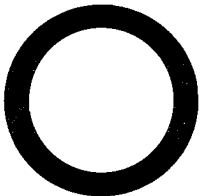
95
(209)



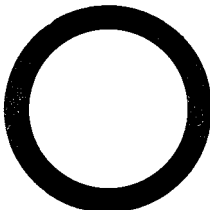
57
(117)



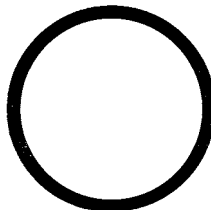
66
(020)



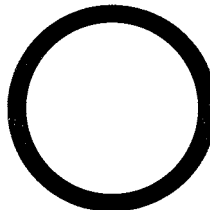
15



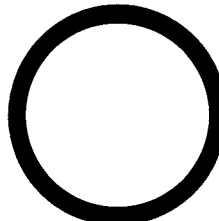
16



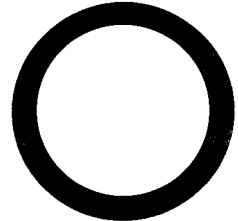
33
(021)



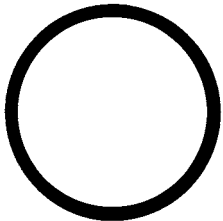
17
(118)



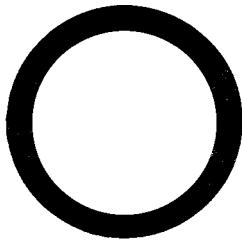
62
(119)



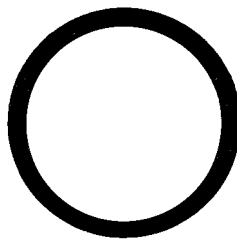
27
(212)



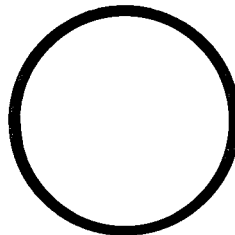
81



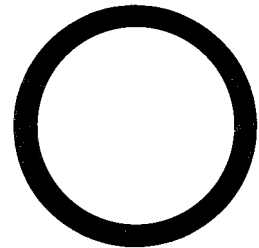
18
(213)



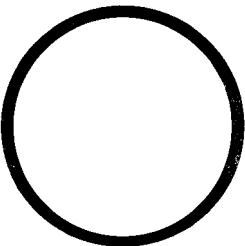
20



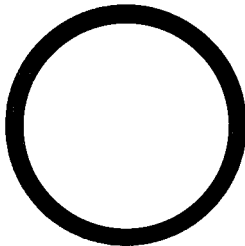
26
(023)



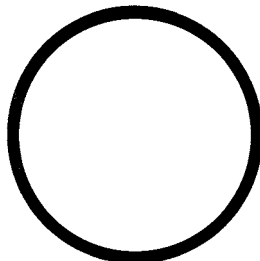
19
(214)



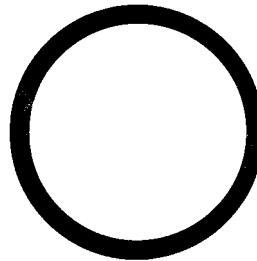
29
(024)



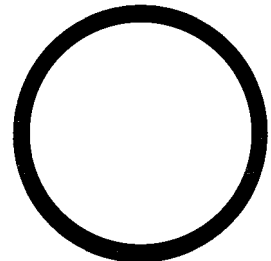
77
(121)



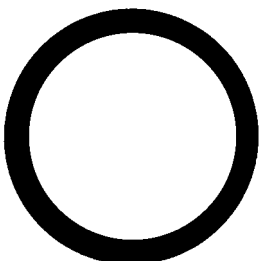
55
(025)



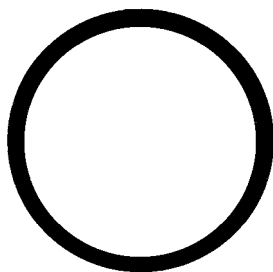
64



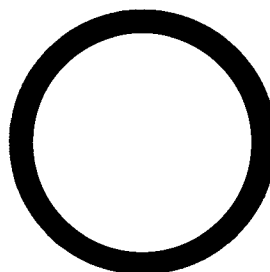
58
(122)



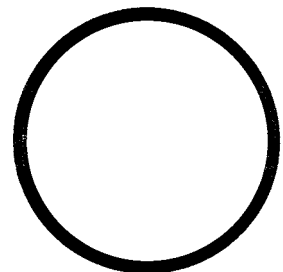
63
(215)



45
(123)



43
(216)

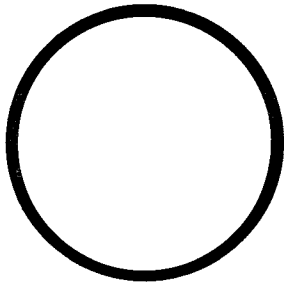


82
(026)

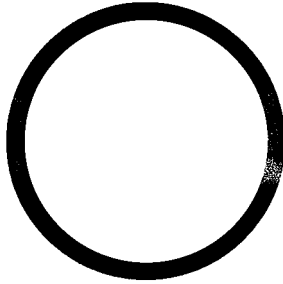


"O" RINGS

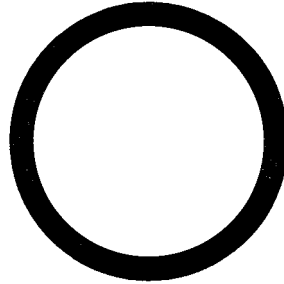
ALL "O" RING DRAWINGS ARE ACTUAL SIZE



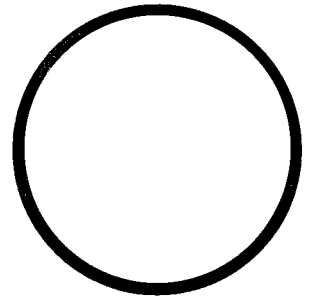
39
(027)



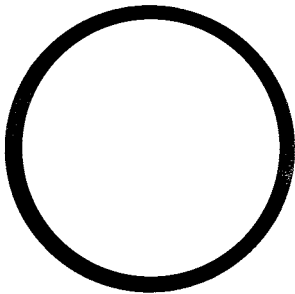
84
(124)



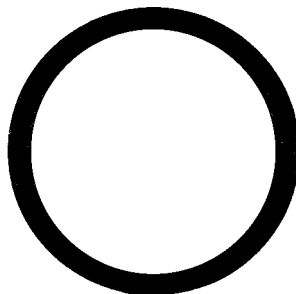
96
(217)



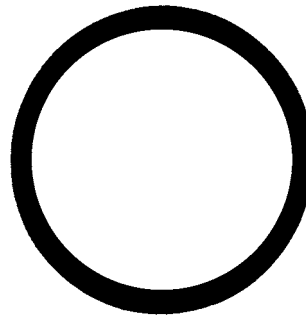
56
(028)



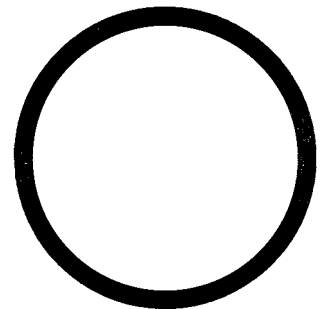
25
(125)



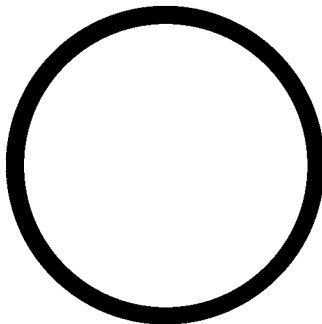
34
(218)



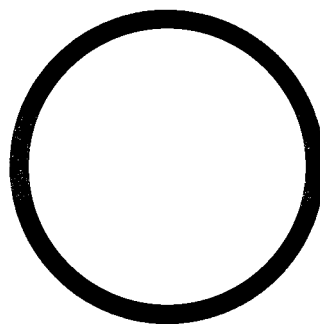
44
(219)



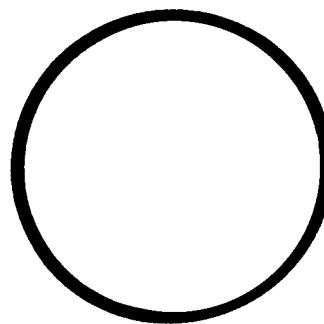
76
(126)



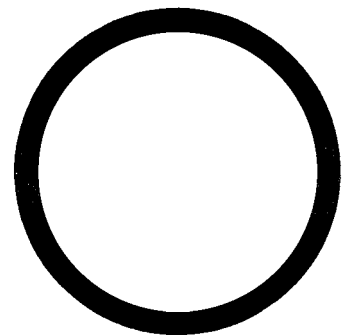
50
(127)



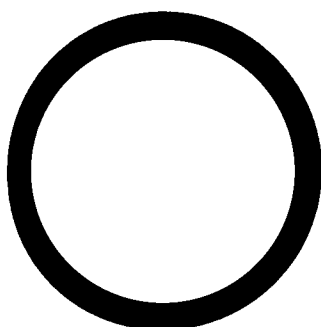
85



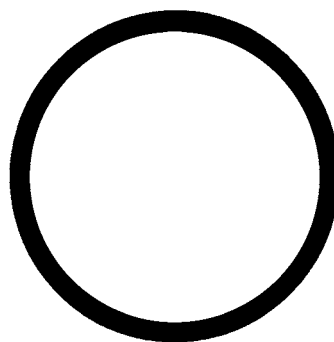
51
(029)



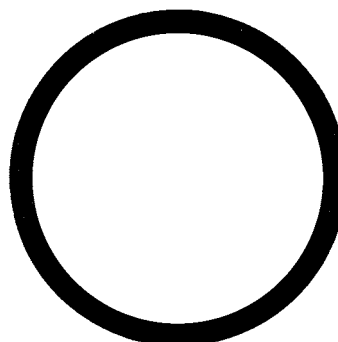
98
(221)



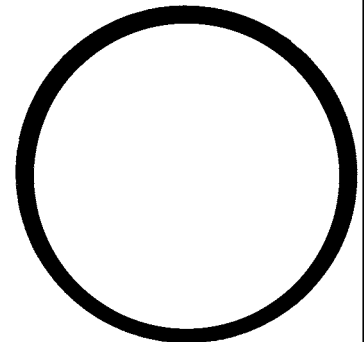
97
(220)



86
(128)



99
(222)



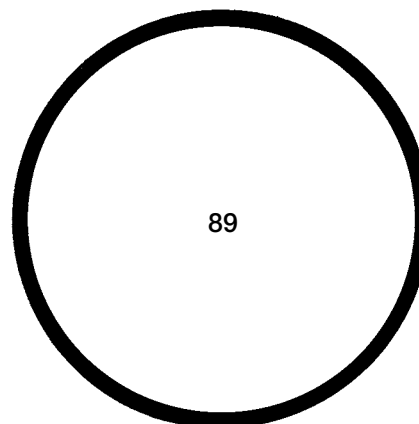
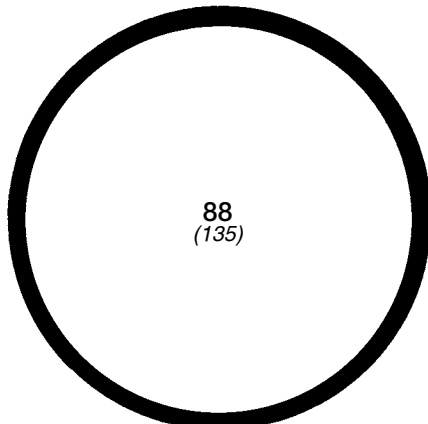
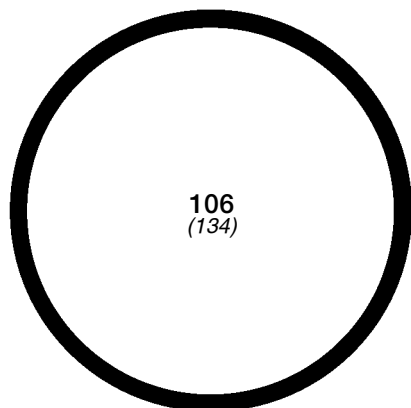
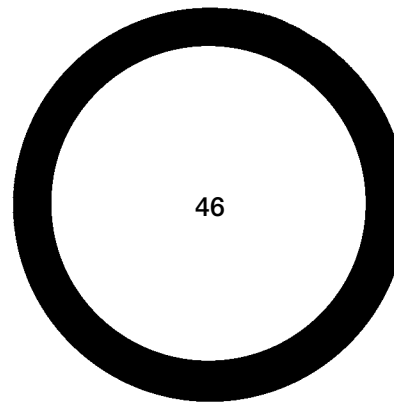
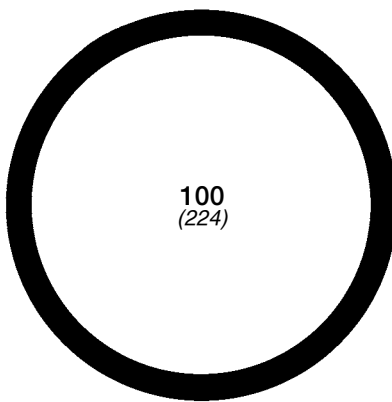
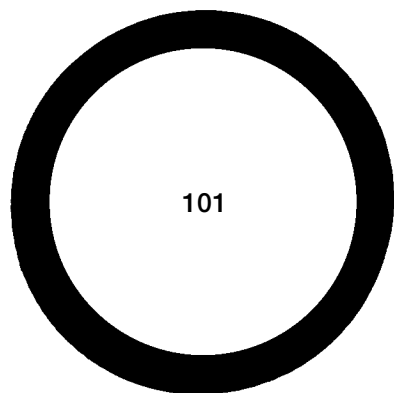
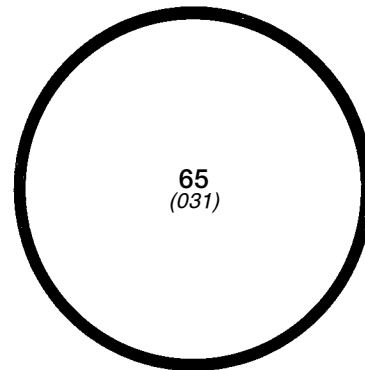
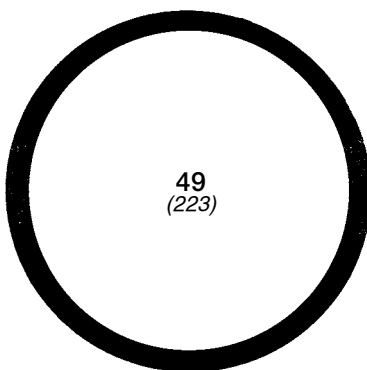
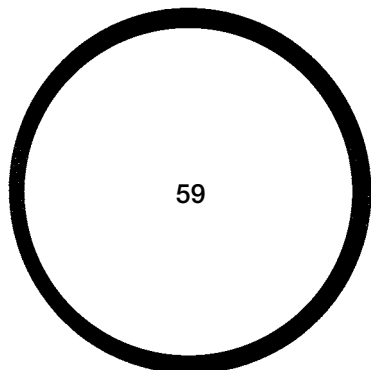
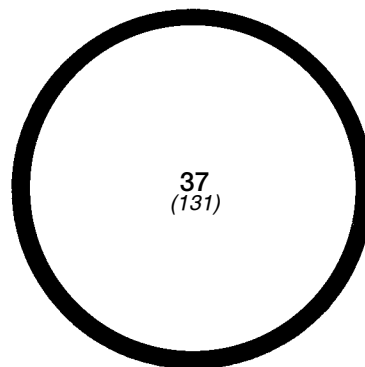
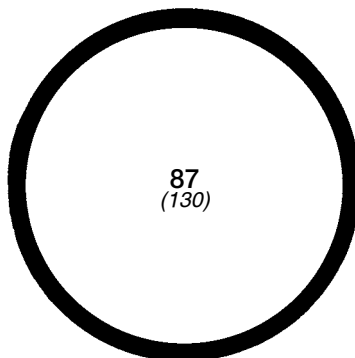
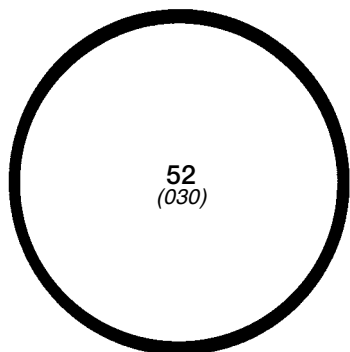
38
(129)



FAUCET REPAIR PARTS

"O" RINGS

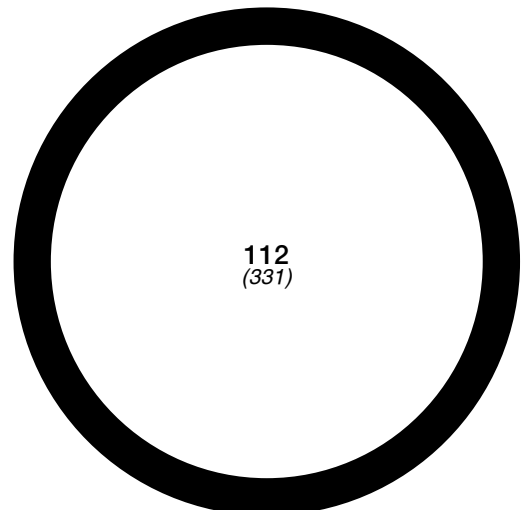
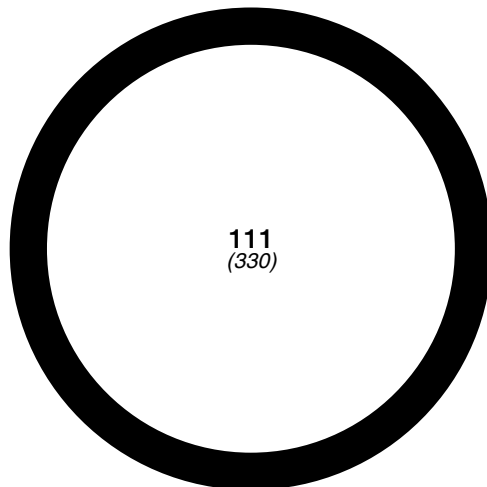
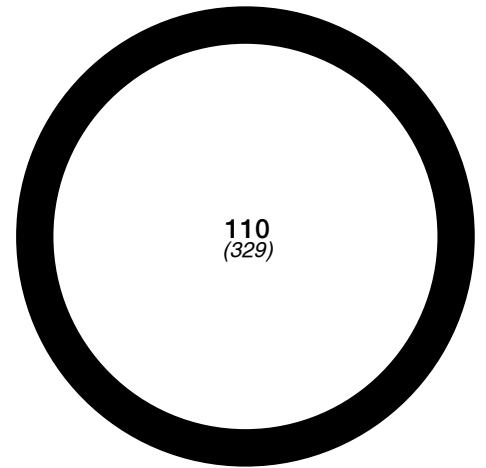
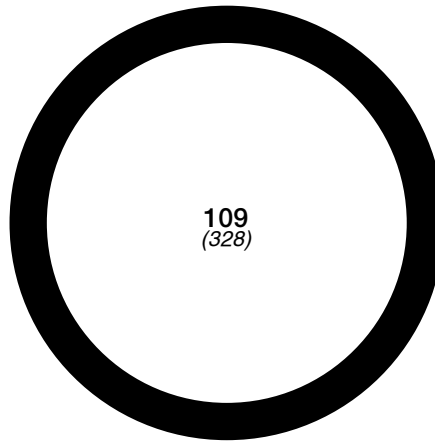
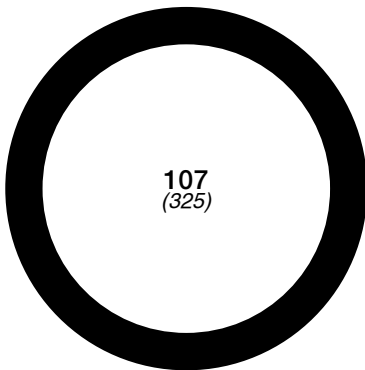
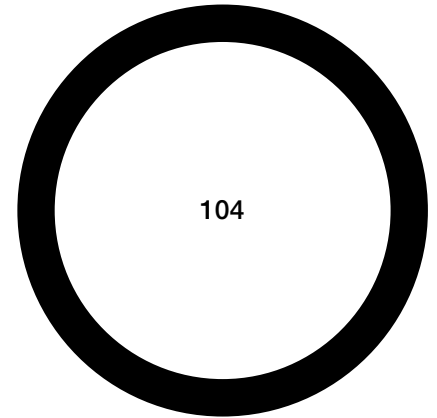
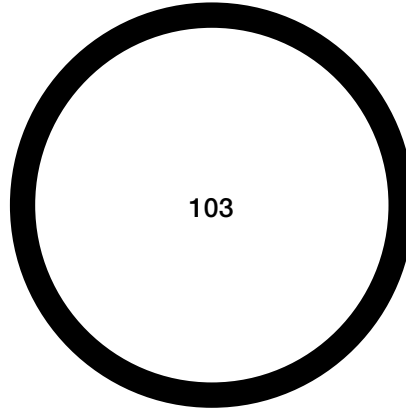
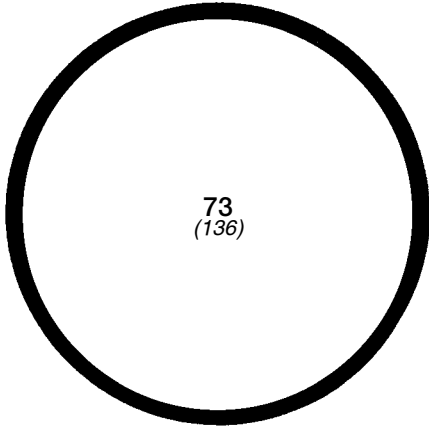
ALL "O" RING DRAWINGS ARE ACTUAL SIZE





"O" RINGS

ALL "O" RING DRAWINGS ARE ACTUAL SIZE

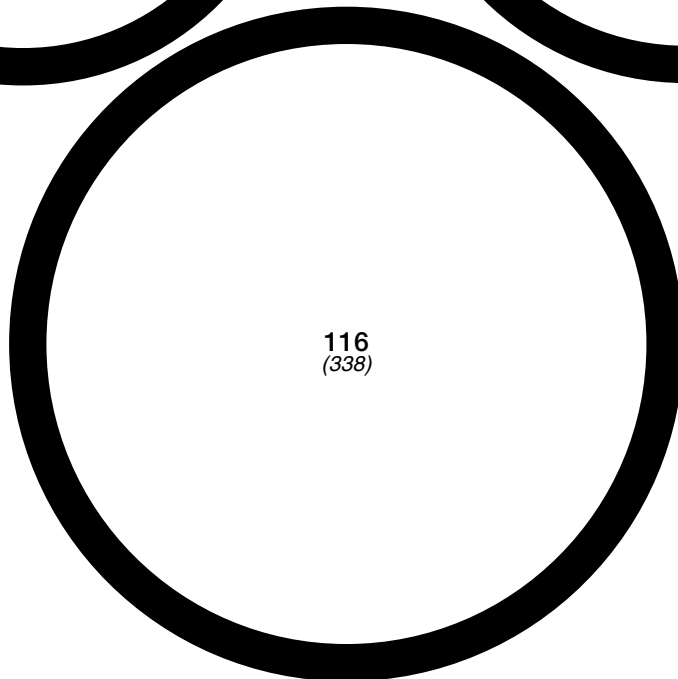
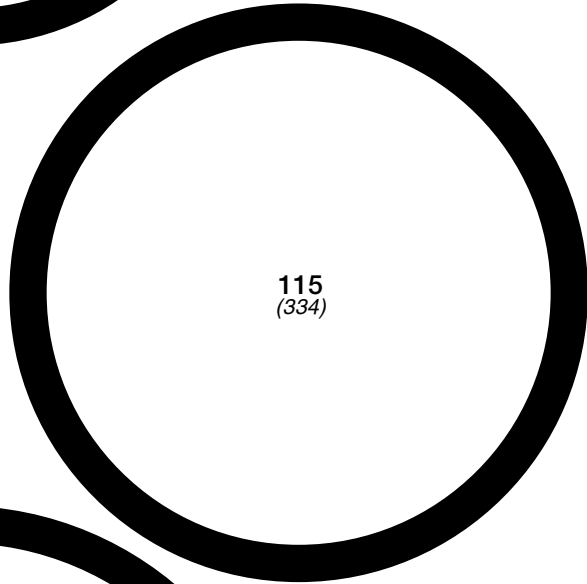
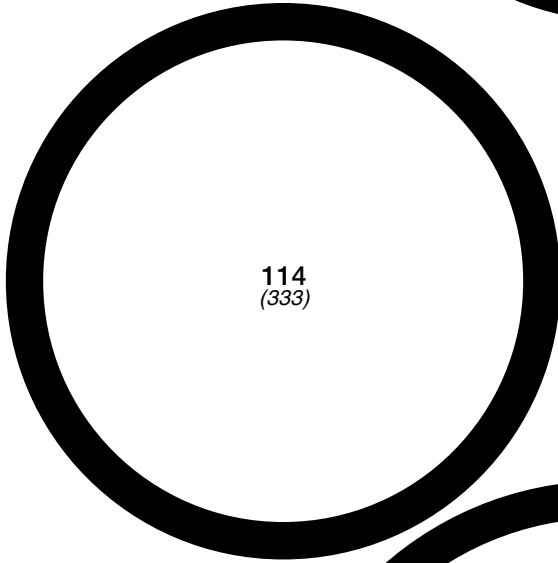
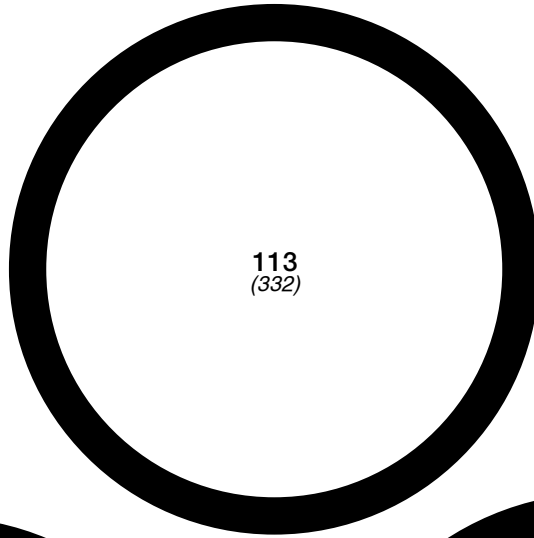




FAUCET REPAIR PARTS

"O" RINGS

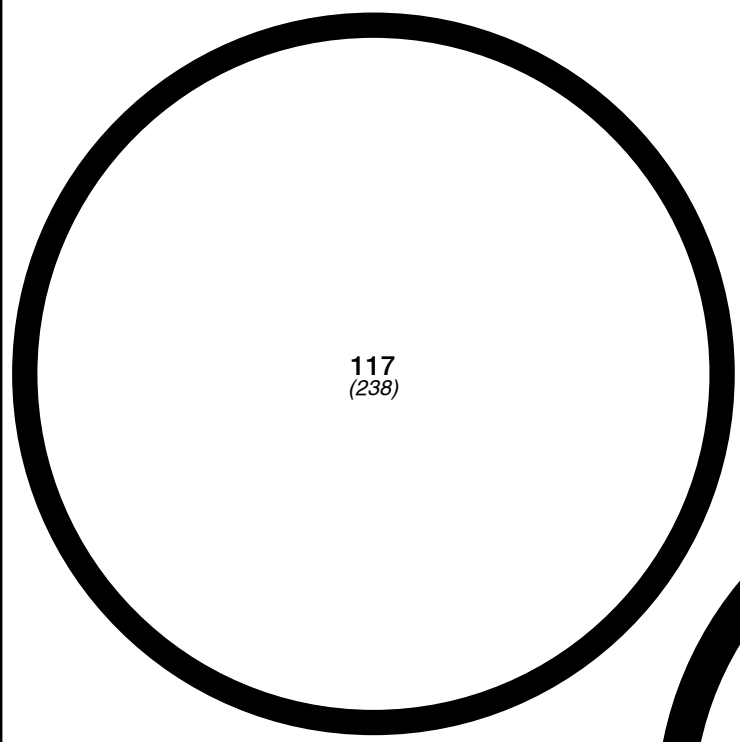
ALL "O" RING DRAWINGS ARE ACTUAL SIZE



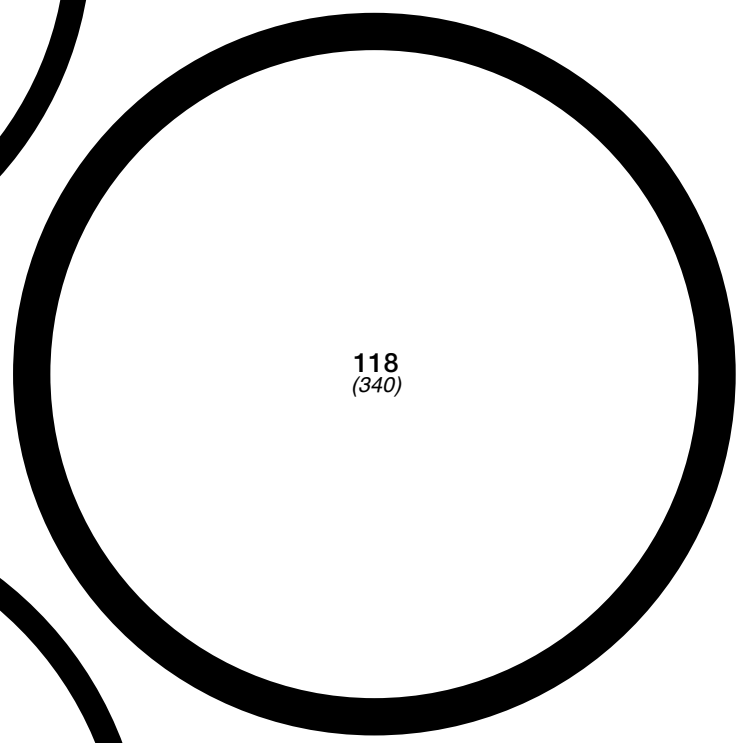


"O" RINGS

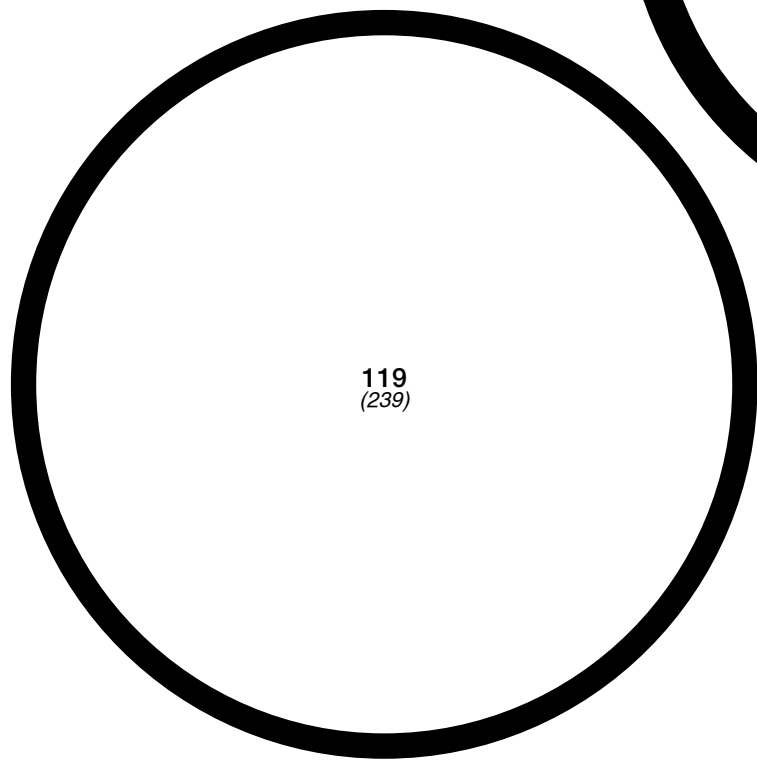
ALL "O" RING DRAWINGS ARE ACTUAL SIZE



117
(238)



118
(340)

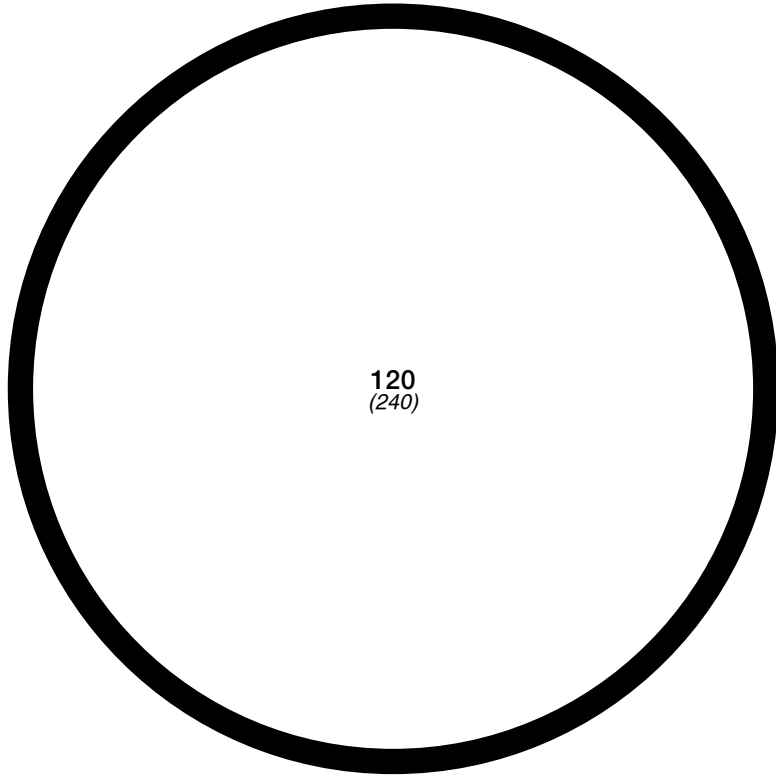


119
(239)

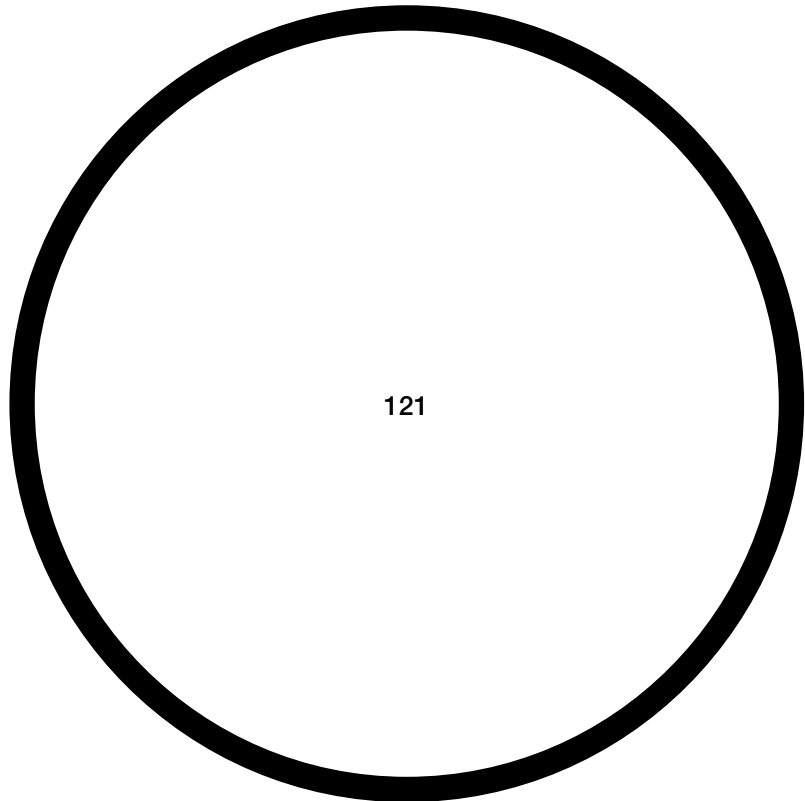


"O" RINGS

ALL "O" RING DRAWINGS ARE ACTUAL SIZE



120
(240)

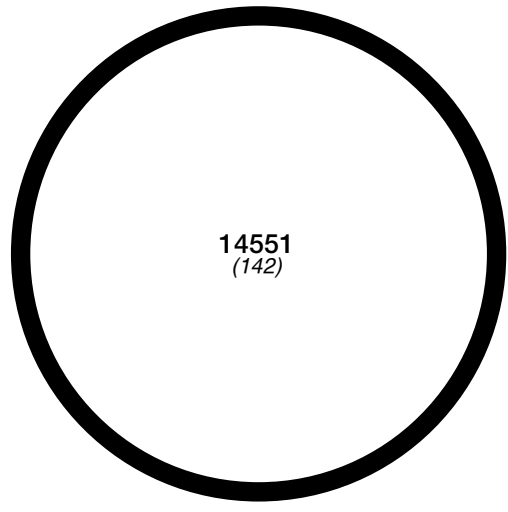
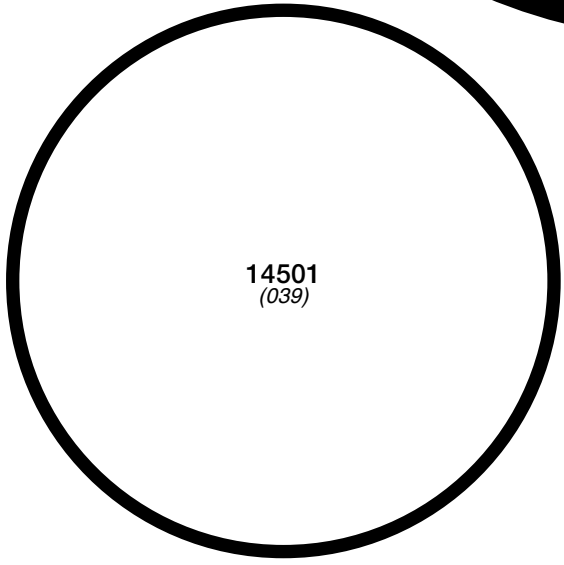
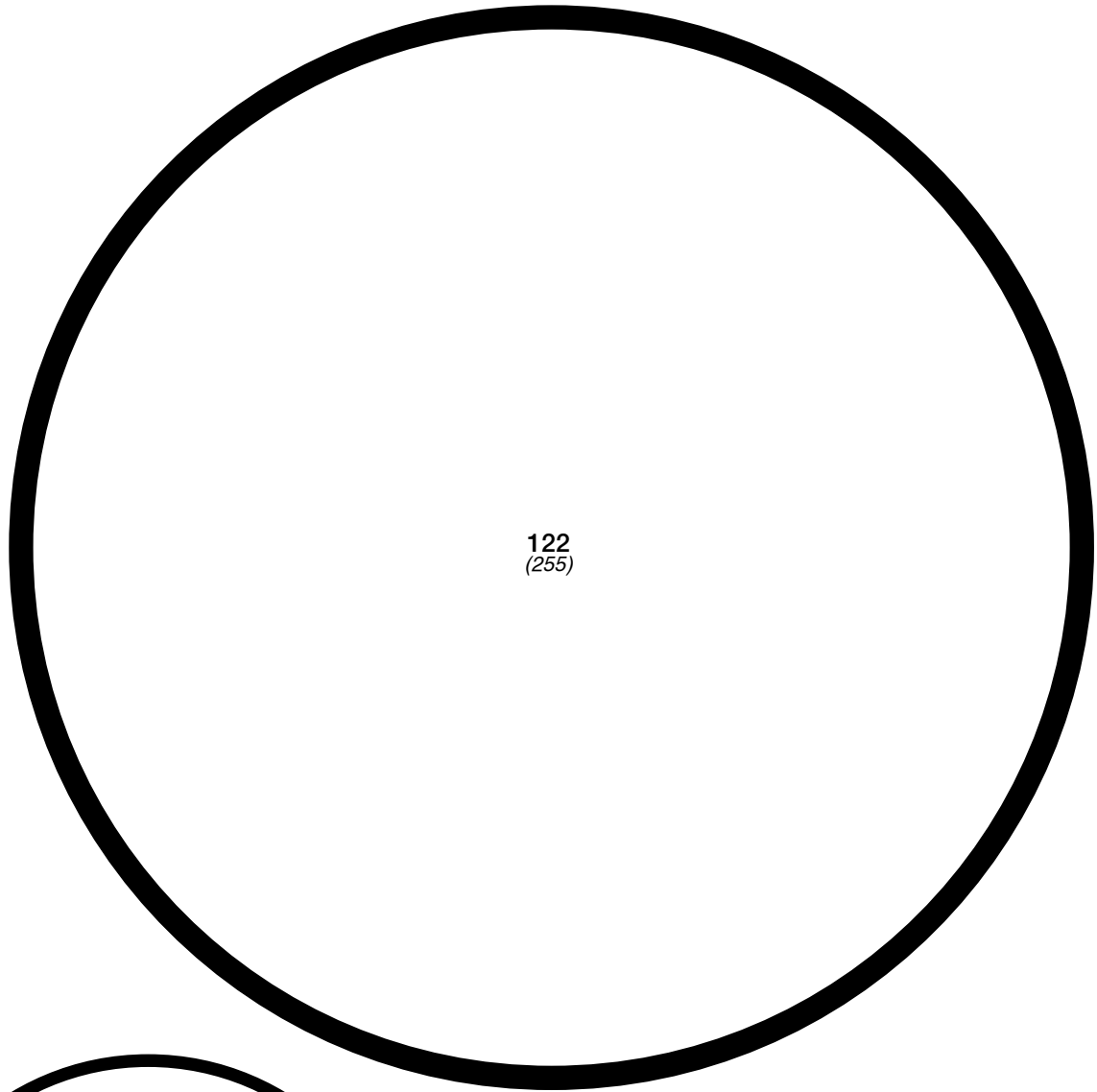


121



"O" RINGS

ALL "O" RING DRAWINGS ARE ACTUAL SIZE

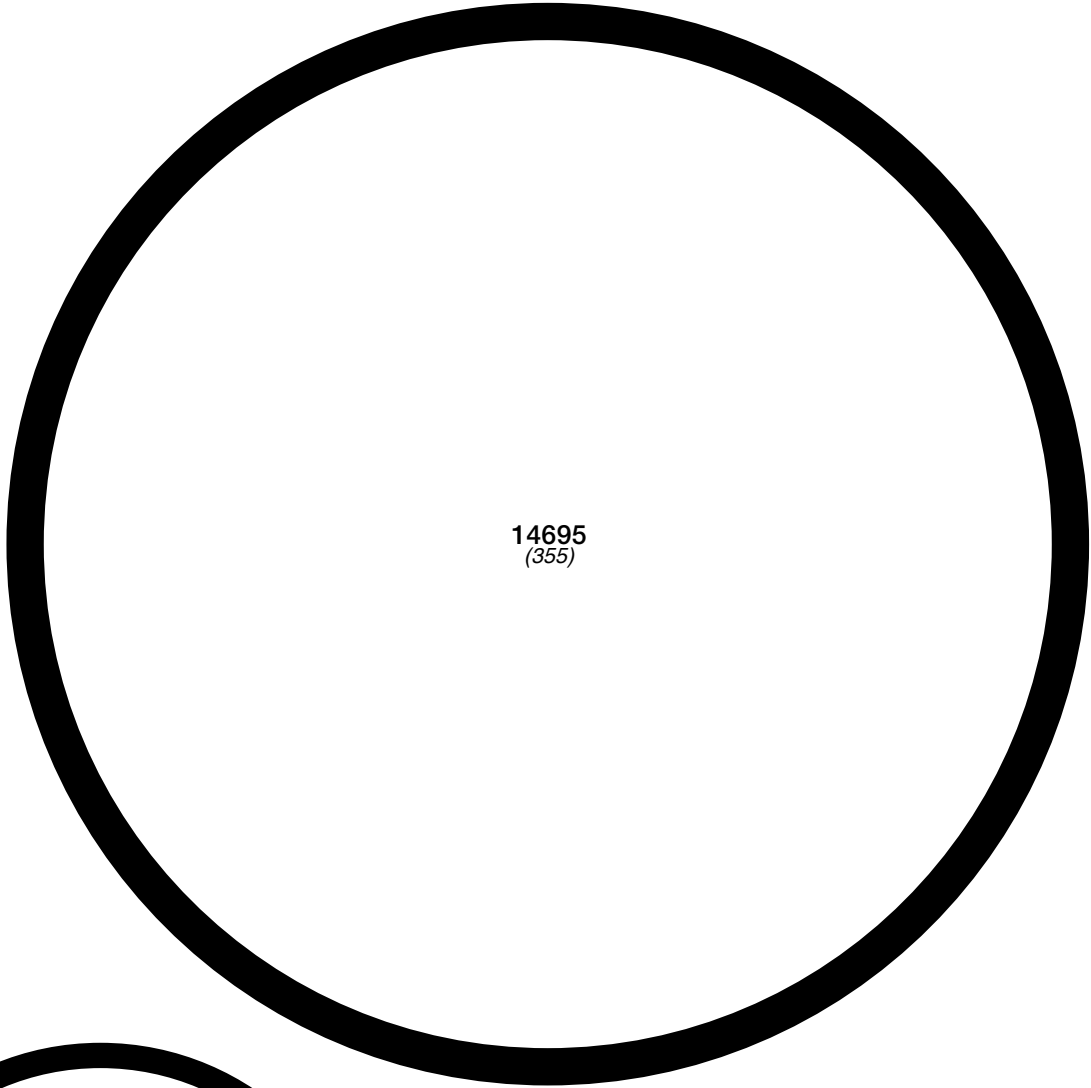




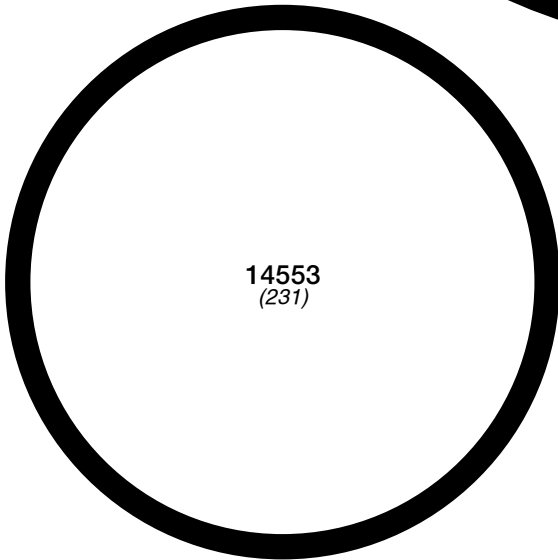
FAUCET REPAIR PARTS

"O" RINGS

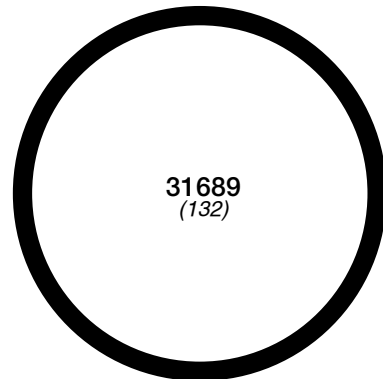
ALL "O" RING DRAWINGS ARE ACTUAL SIZE



14695
(355)



14553
(231)



31689
(132)

FAUCET REPAIR PARTS



FAUCET REPAIR PARTS

FAUCET WASHER PACKAGED QUANTITIES

Trade Size	Description	Type	Actual Diameter	Bag 1 per Bag	Bulk 25 per Bag	Kit As Shown	Carded 10 per Package	Jar 200 per Jar
000L	Faucet Washer	Flat	29/64"	35245B		35245K (30)		
000	Faucet Washer	Flat	15/32"	35061B	35061W	35061K (30)	10402	
00	Faucet Washer	Flat	1/2"	35062B	35062W	35062K (30)	88569	35266
0	Faucet Washer	Flat	17/32"	35063B	35063W	35063K (24)	88570	35267
1/4	Faucet Washer	Flat	9/16"	35064B	35064W	35064K (24)	88571	35268
1/4M	Faucet Washer	Flat	37/64"	35074B	35074W	35074K (20)	88572	
1/4L	Faucet Washer	Flat	19/32"	35065B	35065W	35065K (20)	88573	35269
3/8	Faucet Washer	Flat	5/8"	35066B	35066W	35066K (18)	88574	35272
3/8M	Faucet Washer	Flat	21/32"	35067B	35067W	35067K (18)	88575	
3/8L	Faucet Washer	Flat	11/16"	35068B	35068W	35068K (16)	88576	35274
1/2	Faucet Washer	Flat	3/4"	35069B	35069W	35069K (12)	88577	
1/2L	Faucet Washer	Flat	25/32"	35070B	35070W	35070K (12)	88578	
5/8	Faucet Washer	Flat	13/16"	35071B	35071W	35071K (10)	10404	
5/8L	Faucet Washer	Flat	29/32"	35075B	35075W	35075K (8)		
3/4	Faucet Washer	Flat	1"	35072B	35072W	35072K (6)	10403	
1	Faucet Washer	Flat	1-1/8"	35073B	35073W	35073K (4)		
Assorted	Faucet Washers	Flat					34441 (100 per Pak)	

Trade Size	Description	Type	Actual Diameter	Bag 1 per Bag	Bulk 25 per Bag	Kit As Shown	Carded 10 per Package	Jar 200 per Jar
000	Faucet Washer	Beveled	15/32"	35089B	35089W			
00	Faucet Washer	Beveled	1/2"	35090B	35090W	35090K (30)	88579	35250
0	Faucet Washer	Beveled	17/32"	35091B	35091W	35091K (24)	88580	35251
1/4	Faucet Washer	Beveled	9/16"	35092B	35092W	35092K (24)	88581	35252
1/4L	Faucet Washer	Beveled	19/32"	35093B	35093W	35093K (18)	88582	35253
3/8	Faucet Washer	Beveled	5/8"	35094B			88583	
3/8M	Faucet Washer	Beveled	21/32"	35095B			88584	
3/8L	Faucet Washer	Beveled	11/16"	35096B	35096W	35096K (16)	88585	35257 (150)
1/2	Faucet Washer	Beveled	3/4"	35097B			88586	
1/2L	Faucet Washer	Beveled	25/32"	35098B			88587	
5/8	Faucet Washer	Beveled	13/16"	35099B				
5/8L	Faucet Washer	Beveled	29/32"	35100B				
3/4	Faucet Washer	Beveled	1"	35101B				
1	Faucet Washer	Beveled	1-1/8"		35102W			
5/8 & 5/8L	Faucet Washers	Beveled				35184 (2 Each)		
Assorted	Faucet Washers	Beveled					34442 (100 per Pak)	

Trade Size	Description	Type	Actual Diameter	Bag Not Available	Bulk 20 per Bag	Kit Not Available	Carded 6 per Package	Jar Not Available
000	Premium CC Washer	Flat	15/32"		35373W			
00	Premium CC Washer	Flat	1/2"		35374W			
0	Premium CC Washer	Flat	17/32"		35375W			
1/4	Premium CC Washer	Flat	9/16"		35376W			
1/4L	Premium CC Washer	Flat	19/32"		35378W			
3/8	Premium CC Washer	Flat	5/8"		35379W			
3/8M	Premium CC Washer	Flat	21/32"		35380W			
3/8L	Premium CC Washer	Flat	11/16"		35381W			
1/2	Premium CC Washer	Flat	3/4"		35382W			
1/2L	Premium CC Washer	Flat	25/32"		35383W			
5/8	Premium CC Washer	Flat	13/16"		35384W			
5/8L	Premium CC Washer	Flat	29/32"		35398W			
1	Premium CC Washer	Flat	1-1/8"		35386W			
Assorted	Premium CC Washer	Flat						

Trade Size	Description	Type	Actual Diameter	Bag Not Available	Bulk 20 per Bag	Kit Not Available	Carded 6 per Package	Jar Not Available
00	Premium CC Washer	Beveled	1/2"		35388W			
0	Premium CC Washer	Beveled	17/32"		35389W			
1/4	Premium CC Washer	Beveled	9/16"		35390W			
1/4L	Premium CC Washer	Beveled	19/32"		35391W			
3/8L	Premium CC Washer	Beveled	11/16"		35394W			
1/2	Premium CC Washer	Beveled	3/4"		35395W			



FAUCET REPAIR PARTS

FAUCET WASHER PACKAGED QUANTITIES

Trade Size	Description	Actual Diameter	Bag Not Available	Bulk 25 per Bag	Kit As Shown	Carded Not Available	Jar Not Available
000	Teflon® Washer	15/32"					
00	Teflon® Washer	1/2"			35081K (24)		
0	Teflon® Washer	17/32"		35082W			
1/4	Teflon® Washer	9/16"		35083W			
1/4L	Teflon® Washer	19/32"		35084W			
3/8L	Teflon® Washer	11/16"		35087W			
1/2	Teflon® Washer	3/4"		35088W			

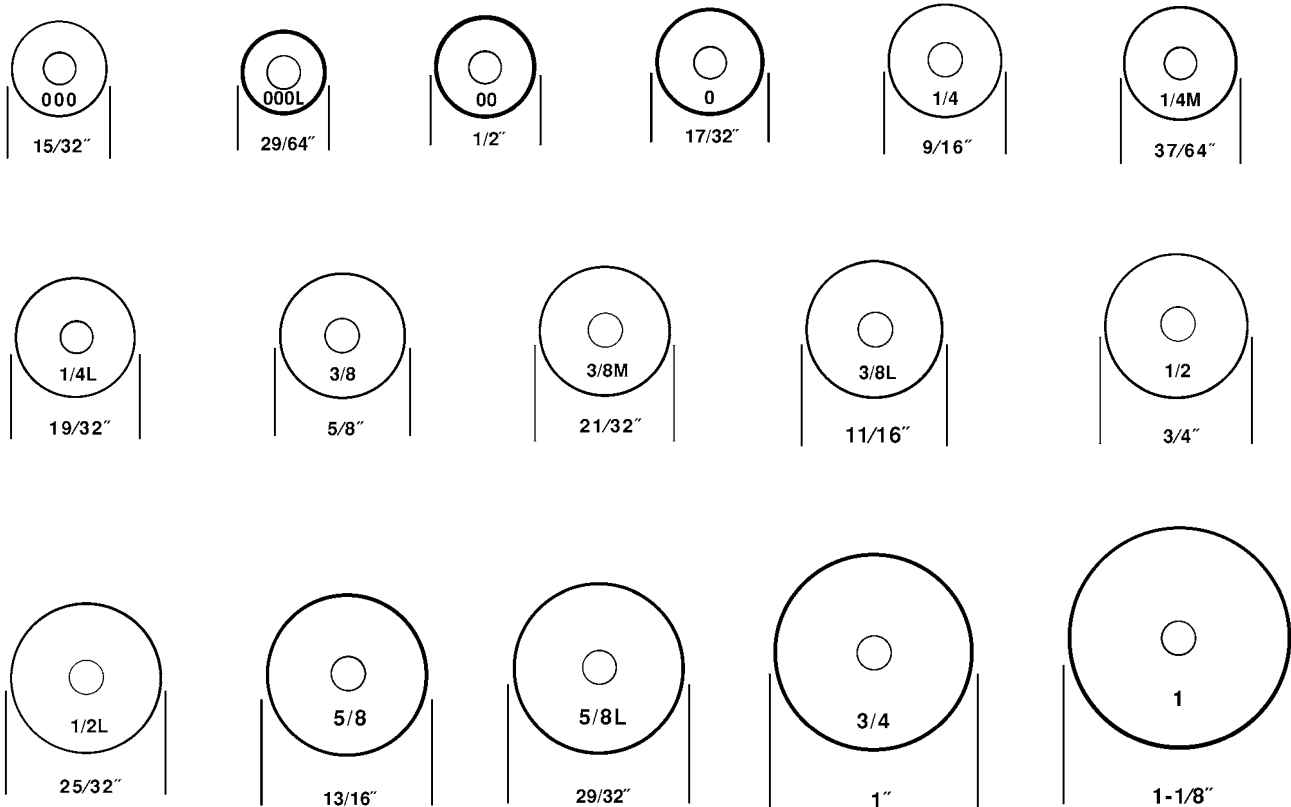
® Teflon is a registered trademark of Dupont

Trade Size	Description	Actual Diameter	Bag 1 per Bag	Bulk 10 per Bag	Kit 18 per Package	Carded Not Available	Jar Not Available
000	Washer Retainer	15/32"	35107B	35107Z	35107K		
00	Washer Retainer	1/2"	35108B	35108Z	35108K		
0	Washer Retainer	17/32"	35109B	35109Z	35109K		
1/4	Washer Retainer	9/16"	35110B	35110Z	35110K		
1/4L	Washer Retainer	19/32"	35111B	35111Z	35111K		
3/8	Washer Retainer	5/8"	35112B	35112Z	35112K		
3/8M	Washer Retainer	21/32"	35113B	35113Z	35113K		
3/8L	Washer Retainer	11/16"	35114B	35114Z	35114K		
1/2	Washer Retainer	3/4"	35115B	35115Z	35115K		
1/2L	Washer Retainer	25/32"	35116B	35116Z	35116K		
5/8	Washer Retainer	13/16"	35117B	35117Z	35117K		
5/8L	Washer Retainer	29/32"	35118B	35118Z			

FAUCET WASHERS

FAUCET WASHER IDENTIFICATION CHART

All dimensions have been accepted by the National Plumbers Association Code
All Drawings are Actual Size



FAUCET REPAIR PARTS



FAUCET REPAIR PARTS

FAUCET WASHERS

FLAT FAUCET WASHERS

The Flat Type Faucet Washer finds its prime use on "quick-opening" style faucets. Because of its design, it allows a full flow of water. In many cases, should the Beveled Type be used, it would cause a "singing" and at the same time cut down on the volume of water allowed to pass through the faucet. The Flat Washer will prevent, and overcome this condition.



Stk. No.	Part No.	Description
39994	-	Replacement Kit for Flat Faucet Washers 172 pieces of 15 sizes (Plastic Box)

Stk. No.	Box No.	Trade Size
• 35061	60	000
• 35245	67	000L
• ■ 35062	13	00
• ■ 35063	14	0
• ■ 35064	15	1/4
• 35074	61	1/4M
• ■ 35065	16	1/4L
• ■ 35066	17	3/8"
• ■ 35067	18	3/8M
• ■ 35068	19	3/8L
• ■ 35069	20	1/2
• ■ 35070	21	1/2L
• ■ 35071	22	5/8
• 35075	69	5/8L
• ■ 35072	23	3/4
• ■ 35073	24	1
■	Contained in Replacement Kit #38034	
•	Contained in Replacement Kit #39994	

BEVELED FAUCET WASHERS

The Beveled Type Faucet Washer is the most preferred washer for general repair work. These washers have a punched hole, perfectly centered to assure a perfect fit regardless of size needed. The taper on the beveled side is engineered to permit the "nose-end" of the washer to pass the faucet seat surface and act very much the same as "the cork in a bottle."



Stk. No.	Part No.	Description
39993	-	Replacement Kit for Beveled Faucet Washers 170 pieces of 13 sizes (Plastic Box)

Stk. No.	Box No.	Trade Size
35089	66	000
35090	1	00
35091	2	0
35092	3	1/4
35093	4	1/4L
35094	5	3/8
35095	6	3/8M
35096	7	3/8L
35097	8	1/2
35098	9	1/2L
35099	10	5/8
35100	11	5/8L
35101	113	3/4
35102	114	1"
35184	67	5/8-5/8L (2 each)

BEVELED AND FLAT FAUCET WASHERS



Stk. No.	Part No.	Description
39991	-	Replacement Kit for Beveled and Flat Faucet Washers 246 pieces of sizes 000 to 1/4L Flat and 000 to 3/8 Beveled (Plastic Box)



FAUCET REPAIR PARTS

FAUCET WASHERS AND RETAINERS

REPLACEMENT KITS FOR FAUCET WASHERS, WASHER RETAINERS & SCREWS

A complete range of sizes of Faucet Washers, Faucet Washer Retainers and Faucet Screws

The Lid Insert shows all parts in actual size for easy, positive identification in seconds!!!

- No Overstock
- No Jumbled Mess

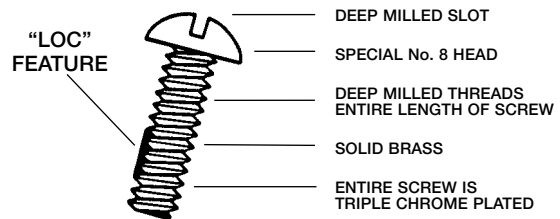
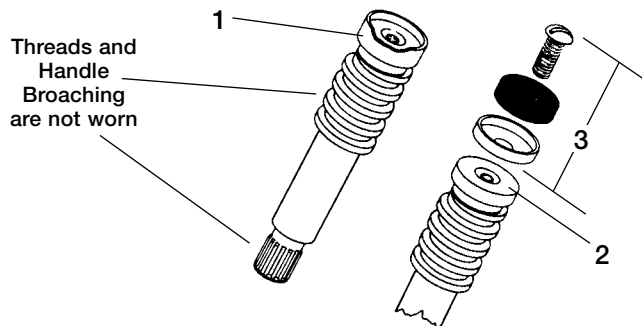


Stk. No.	Part No.	Description
37814	85	Replacement Kit for Faucet Washers, Retainers & Screws Includes 16 Sizes of Flat Washers, 14 Sizes of Beveled Washers, 12 Sizes of Retainers & 6 Sizes of Screws all in Kit Boxes for a total of 316 pieces

Stk. No.	Description
39949	Bulk Replacement Kit for Faucet Washers & Screws Includes 15 Sizes of Flat Washers 14 Sizes of Beveled Washers & 3 Sizes of Screws for a total of 192 pieces

DANCO FAUCET WASHER RETAINERS

To be used when the washer retainer is broken or distorted. Just file or grind the damaged retainer off the stem and you are then ready for the DANCO replacement... use with a DANCO faucet screw to assure a secure bind.



- 1 Break off remaining section of the existing retainer on stem
- 2 File and smooth-off edges with DANCO Grit Cloth
- 3 Replace with a DANCO retainer using DANCO Faucet Screws

Stk. No.	Kit No.	Trade Size
35108B	1	00
35109B	2	0
35110B	3	1/4
35111B	4	1/4L

FAUCET WASHERS AND RETAINERS

WASHER & SCREW ASSORTMENTS

Contains: 2 each

Sizes: 00-3/8 Faucet Washers & 4 Faucet Screws

- Tough
- Flexible
- Positive Shut-Off
- High Abrasive Resistance
- High Temperature Resistance
- No "Singing" or Squealing
- It's Important To Use The Correct Washer!



80790
Flat Washer Assortment
For "Quick Opening"
style faucets



80789
Beveled Washer Assortment
For general repair work

Stk. No.	Description
80790	Flat Washer Assortment
80789	Beveled Washer Assortment

HOME WASHER ASSORTMENT

This Home Washer Assortment contains:

- Faucet Washers
- Hose Washers
- Slip Joint Washers
- "O" Rings
- Sink Strainer Washers
- Bibb Screws



Stk. No.	Description
80817	Home Washer Assortment Assorted Sizes (42 Total Pieces)



FAUCET REPAIR PARTS

FAUCET REPAIR PARTS

LARGE RUBBER FAUCET WASHERS

Description	O.D.	I.D.	Wall	Bag 1 per Bag
1/16" Large Rubber Washer	1 1/4"	3/16"	1/16"	61804B
1/16" Large Rubber Washer	1 1/4"	1/4"	1/16"	61805B
1/16" Large Rubber Washer	1 1/4"	5/16"	1/16"	61806B
1/16" Large Rubber Washer	1 1/4"	3/8"	1/16"	61807B
1/16" Large Rubber Washer	1 1/2"	3/16"	1/16"	61808B
1/16" Large Rubber Washer	1 1/2"	1/4"	1/16"	61809B
1/16" Large Rubber Washer	1 1/2"	5/16"	1/16"	61810B
1/16" Large Rubber Washer	1 1/2"	3/8"	1/16"	61811B
1/8" Large Rubber Washer	2 1/4"	1/2"	1/8"	61271B
1/8" Large Rubber Washer	2 1/4"	3/4"	1/8"	61273B
1/8" Large Rubber Washer	2 1/4"	1"	1/8"	61274B
1/8" Large Rubber Washer	2 3/8"	1 1/2"	1/8"	61275B

LARGE NEOPRENE RUBBER WASHER KITS

- 1/16" Thick – 1 1/4" O.D. to 2" O.D.
- 1/8" Thick – 2 1/4" O.D. to 3" O.D.
- Plastic Box



37772
1/16" Thick Neoprene Washer Assortment

Stk. No.	Description
37772	1/16" Thick 12 Sizes for a Total of 120 Pieces

FAUCET SCREW PACKAGED QUANTITIES

Description	Size	Type	Bag 1 per Bag	Bulk 25 per Bag	Kit 30 per Kit	Carded
#2 Faucet Screw	1/2" x 6-32	Brass	35139B			
#4 Faucet Screw	3/8" x 8-32	Brass	35141B	35141W	35141K	
#5 Faucet Screw	1/2" x 8-32	Brass	35142B	35142W	35142K	
#10 Faucet Screw	3/8" x 10-32	Brass	35147B			
#11 Faucet Screw	1/2" x 10-32	Brass	35148B			
#13 Faucet Screw	3/8" x 10-28	Brass	35150B	35150W		
#16 Faucet Screw	3/8" x 10-24	Brass	35153B	35153W	35153K	
#17 Faucet Screw	1/2" x 10-24	Brass	35154B			
Assorted		35141 (3)	35153 (3)			85194

FAUCET REPAIR PARTS



FAUCET REPAIR
PARTS

CAP THREAD GASKET PACKAGED QUANTITIES

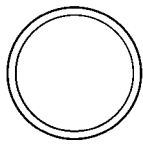
Description	O.D.	I.D.	Wall	Bag 1 per Bag	Bulk 10 per Bag	Kit As Shown	Fits...
#1 Cap Thread Gasket	1"	1 ³ / ₁₆ "	1/16"	35543B			American Standard, Briggs, Chicago Faucet, Royal Brass, Sayco, Union Brass
#2 Cap Thread Gasket	1 ¹ / ₈ "	3 ³ / ₃₂ "	1/16"	35544B	35544Z		American Standard, Briggs, Central Brass, Crane, Eljer, Gerber, Glauber, Kohler, McDonald, Salter, Union Brass
#3 Cap Thread Gasket	1 ¹ / ₈ "	1 ³ / ₁₆ "	1/8"	35545B		35545K (6)	Crane
#7 Cap Thread Gasket	1 ¹ / ₃₂ "	7/8"	1/16"	35549B	35549Z	35549K (20)	Briggs, Crane, Elkay, Federal Huber, Gerber, Kohler, Logan, Savoy, Sears, Speakman, Waltec
#9 Cap Thread Gasket	1 ¹ / ₄ "	1"	1/8"	35551B	35551Z	35551K (10)	American Standard, Logan
#10 Cap Thread Gasket	1 ²³ / ₆₄ "	1 ¹ / ₃₂ "	1/8"			35552K (6)	American Standard
#11 Cap Thread Gasket	1 ¹ / ₈ "	6 ¹ / ₆₄ "	1/32"	35553B			Kohler
#15 Cap Thread Gasket	1 ¹ / ₁₆ "	1 ⁵ / ₁₆ "	1/16"	35556B			Crane, Eljer, McDonald, Speakman, Sterling
#18 Cap Thread Gasket	1 ⁵ / ₁₆ "	2 ³ / ₃₂ "	1/16"	35557B			Briggs, Speakman, Wallaceburg, Waltec
#22 Cap Thread Gasket	1 ¹ / ₁₆ "	7/8"	1/16"	35560B			Briggs-Republic, Central Brass, Crane, Eljer, Gerber, Price Pfister, Speakman
#24 Cap Thread Gasket	1"	1 ³ / ₁₆ "	1/32"	35561B			Briggs, Indiana Brass, Reppal, Speakman
#26 Cap Thread Gasket	1 ¹ / ₁₆ "	7/8"	1/32"	35562B			American Standard, Case, Mueller, Sayco, Speakman, Sterling
#28 Cap Thread Gasket	7/8"	3/4"	1/16"	35564B	35564Z	35564K (24)	American Brass, American Standard, Arrowhead Brass, Briggs, Burlington, Central, Crane, Crestmont, Dick Brothers, Eljer, Grand Haven, Harcraft, Import, Kohler, Michigan Brass, Price Pfister, Rheem, Royal Brass, Savoy, Sayco, Sterling, Streamway, Union Brass
#29 Cap Thread Gasket	1 ¹ / ₈ "	5 ⁹ / ₆₄ "	1/16"	35565B			Central, Dick Brothers, Galt, Kohler, Sayco, Streamway, Waltec
#30 Cap Thread Gasket	7/8"	3/4"	1/16"	35566B		35566K (24)	Central Brass, Dick Brothers, Gerber, Harcraft, Milwaukee Faucet, Price Pfister, Savoy, Sayco, Speakman, Streamway, Union Brass, Universal Rundle
#32 Cap Thread Gasket	1 ⁷ / ₃₂ "	7/8"	1/16"	35567B	35567Z	35567K (12)	Gerber, Price Pfister, Queen City
#33 Cap Thread Gasket	1 ¹ / ₄ "	1 ¹ / ₁₆ "	5/64"	35568B			American Brass, American Standard, Gerber, Royal Brass, Sayco, Speakman, Sterling
#34 Cap Thread Gasket	1 ⁵ / ₁₆ "	1 ¹ / ₁₆ "	3/64"	35569B			Central Brass, Gerber
#35 Cap Thread Gasket	1 ⁵ / ₁₆ "	1 ³ / ₁₆ "	1/16"	35570B			American Kitchen, Barnes Western, Belvedere, Briggs, Eljer, Gerber, Grand Haven, Indiana Brass, Kohler, Michigan Brass, Speakman, Sterling
#36 Cap Thread Gasket	7/8"	1 ¹ / ₁₆ "	1/16"	35571B			Kohler
#37 Cap Thread Gasket	1 ¹ / ₃₂ "	1 ³ / ₁₆ "	3/32"	35572B			Chicago Faucet
#38 Cap Thread Gasket	3/4"	4 ¹ / ₆₄ "	1/32"	35573B			Crane, Crestmont, Kohler, Price Pfister
#39 Cap Thread Gasket	1 ¹ / ₁₆ "	9/32"	1/32"	35574B			Harcraft
#40 Cap Thread Gasket	1 ¹ / ₈ "	1 ⁵ / ₁₆ "	1/16"	35575B			Central
#41 Cap Thread Gasket	7/8"	3/4"	1/16"	35576B			American Brass, Briggs, Burlington Brass, Central, Crane, Grand Haven, Kohler, Mueller, Rheem, Savoy, Sayco, Streamway, Teck, Union Brass
#42 Cap Thread Gasket	1 ¹ / ₈ "	5 ⁹ / ₆₄ "	1/16"	35577B			Central Brass, Dishmaster, Eljer, Sayco
#43 Cap Thread Gasket	1 ⁵ / ₁₆ "	1 ³ / ₁₆ "	1/16"	35578B			Barnes Western, Briggs, Gerber, Grand Haven, Indiana Brass, Kohler, Michigan Brass, Speakman, Sterling
#44 Cap Thread Gasket	1 ¹ / ₈ "	7/8"	1/16"	35579B	35579Z	35579K (12)	American Standard, Gerber, Price Pfister
#45 Cap Thread Gasket	1 ¹ / ₁₆ "	7/8"	1/16"	35580B			Queen City, Sterling, T & S Brass
#46 Cap Thread Gasket	1 ¹ / ₄ "	1"	1/16"	35581B			American Brass, Arrowhead Brass, Empire Brass, Reppal, Union Brass
#49 Cap Thread Gasket	1 ³ / ₁₆ "	3 ⁹ / ₆₄ "	1/32"	35584B			Delta/Delex



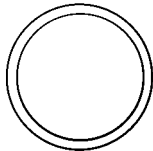
FAUCET REPAIR PARTS

CAP THREAD GASKETS

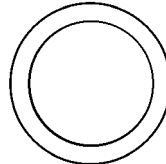
ALL BONNET PACKING DRAWINGS ARE ACTUAL SIZE



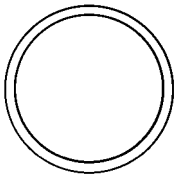
39



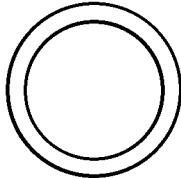
38



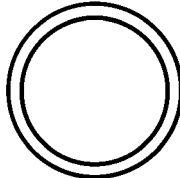
49



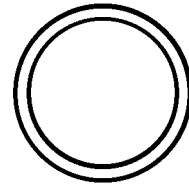
41



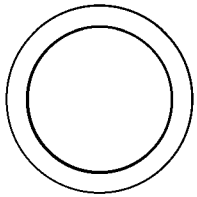
36



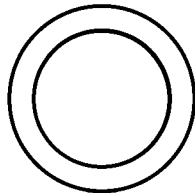
30



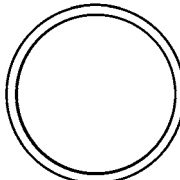
28



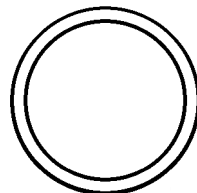
18



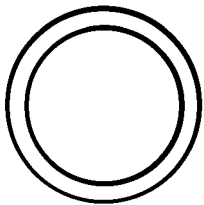
34



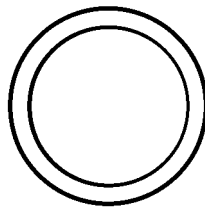
35



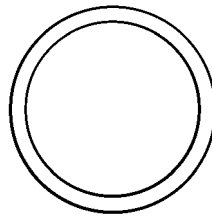
43



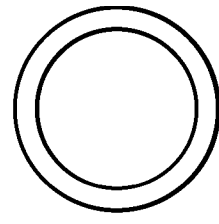
1



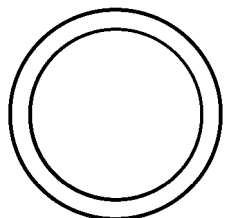
24



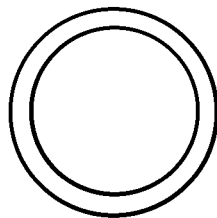
7



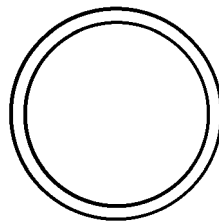
37



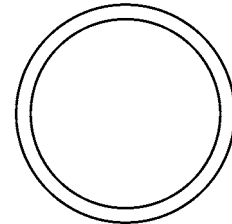
45



26



15

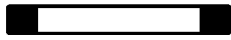
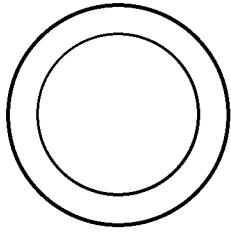


2

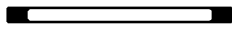
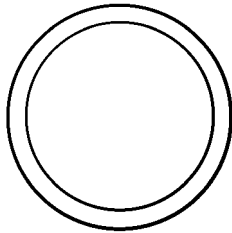
FAUCET REPAIR PARTS



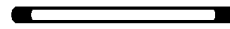
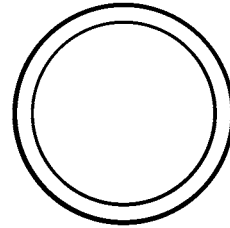
BONNET PACKING PACKAGED QUANTITIES



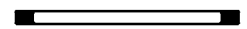
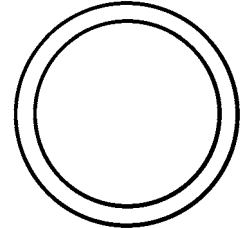
3



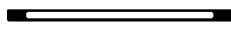
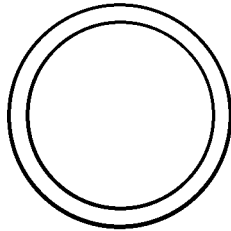
29



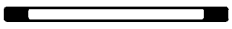
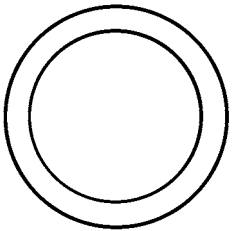
40



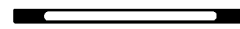
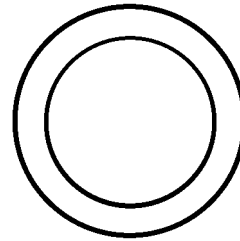
42



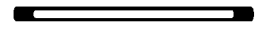
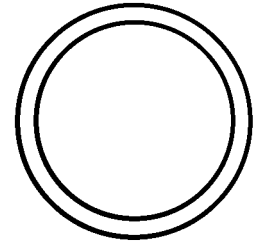
11



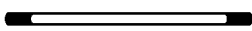
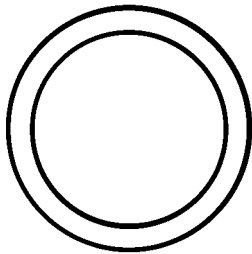
44



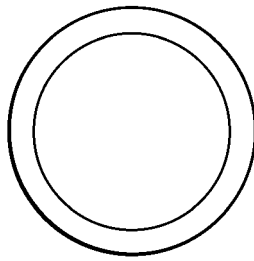
32



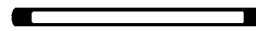
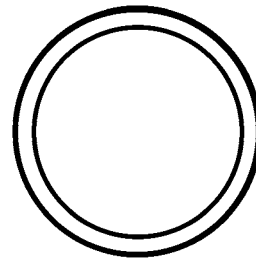
22



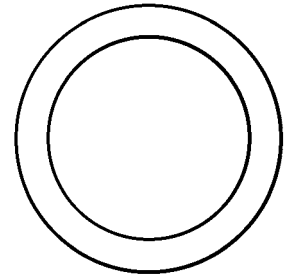
46



9



33



10

CAP THREAD GASKETS

KITS FOR CAP THREAD GASKETS

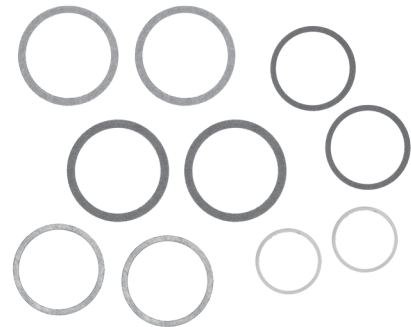


Stk. No. Description

39943 Bulk Kit for Cap Thread Gaskets
Contains 32 Different Sizes for a Total of 96 Pieces

CAP THREAD GASKET ASSORTMENT

Contains (2) Each of 5 Different Cap Thread Gaskets:
35549 35562 35564 35570 35574



Carded
Stk. No. Description

80229 Assorted Cap Thread Gaskets



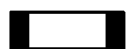
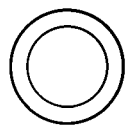
FAUCET REPAIR PARTS

BONNET PACKING PACKAGED QUANTITIES

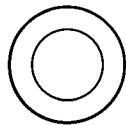
Description	O.D.	I.D.	Wall	Packaging			Carded	Fits...
				Bag 1 per Bag	Bulk 10 per Bag	Kit As Shown		
#19 Bonnet Packing	5/8"	13/32"	1/4"	35188B				Central Brass, Chicago Faucet, Harcraft, Sears
#20 Bonnet Packing	3/4"	3/8"	9/32"	35189B				Chase Brothers, Milwaukee Faucet, Price Pfister, Repcal, Rheem, Sayco, Universal Rundle
#21 Bonnet Packing	3/4"	13/32"	9/32"	35190B				Aqualine-Paragon, Belvedere, Burlington Brass, Dick Brothers, Emco, Sterling
#22 Bonnet Packing	11/16"	13/32"	1/4"	35191B				Briggs Republic, Crane, Eljer, Gerber, Richmond Radiator, Royal Brass, Sterling
#30 Bonnet Packing	11/16"	7/16"	5/16"	35193B				American Brass, American Standard, Briggs Republic, California Brass, Empire Brass, Price Pfister, Speakman-Kent, Sterling, T & S Brass
#31 Bonnet Packing	41/64"	13/32"	1/4"	35194B	35194Z	35194K (12)		American Brass, American Standard, Central Brass, Kohler, Queen City, Royal Brass, Sterling
#41 Bonnet Packing	15/16"	7/16"	5/16"	35197B				Briggs, Emco, Kohler
#43 Bonnet Packing	3/4"	27/64"	7/32"	35199B				Kohler
#44 Bonnet Packing	3/4"	27/64"	5/16"	35200B	35200Z	35200K (8)		Kohler, Pubco
#45 Bonnet Packing	5/8"	5/16"	1/4"	35201B				Kohler, Savoy
#47 Bonnet Packing	39/64"	3/8"	1/4"	35203B				American Brass, American Standard, Union Brass
#50 Bonnet Packing	9/16"	3/8"	7/32"	35206B				Briggs, Central Brass, Crane, Eljer, Rheem, Richmond, Savoy, Sayco, Union Brass
#51 Bonnet Packing	5/8"	23/64"	5/16"	35207B	35207Z			Barnes Western, Eljer, Federal Huber, Gerber, Harcraft, Milwaukee Faucet, Queen City, Wolverine
#66 Bonnet Packing	57/64"	1/2"	13/32"	35216B				Crane, Speakman
#68 Bonnet Packing	5/8"	7/16"	3/16"	35218B				Case, Speakman
#84 Bonnet Packing	3/4"	3/8"	9/32"	35222B				Price Pfister, Union Brass
#87 Bonnet Packing	27/32"	3/8"	1/4"	35223B				Crane, Import, Repcal, Rheem, Sterling
#90 Bonnet Packing	7/8"	5/16"	5/16"	35226B	35226Z	35226K (8)		Crane, Dick Brothers, Gopher, Union Brass
#92 Bonnet Packing	3/4"	9/32"	5/32"	35228B	35228W	35228K (6)		American Standard
#93 Bonnet Packing	3/4"	3/8"	11/32"	35229B				American Standard, Grand Haven
#95 Bonnet Packing	11/16"	3/8"	5/16"				35231C	Felt (<i>Universal</i>)
#96 Bonnet Packing	7/8"	9/32"	13/32"				35232C	Felt (<i>Universal</i>)
#97 Bonnet Packing	5/8"	3/8"					35233C	Crane Dialese
#99 Bonnet Packing	9/16"	3/8"	3/16"	35235B				Central Brass
#100 Bonnet Packing	25/32"	7/16"	3/16"	35236B				Speakman
#101 Bonnet Packing	37/64"	23/64"	17/64"	35237B				Sayco
#104 Bonnet Packing	5/8"	3/8"	1/4"	35240B				American Brass, American Standard, Kohler, Queen City
#105 Bonnet Packing	29/32"	13/32"	1/4"	35241B				Burlington Brass
#106 Bonnet Packing	7/8"	1/2"	11/32"		35244Z			Various Uses
#107 Bonnet Packing	0.565	0.33	0.25		35290Z			Central, Eljer, Sayco, Union Gopher
-- Bonnet Packing	0.715	0.35	0.212		35291Z			Sayco
#201 Bonnet Packing	9/16"	11/32"	17/64"	36623B	36623Z			Crane
#206 Bonnet Packing	21/32"	13/32"	5/16"	36626B				Briggs, Burlington, Central, Crane, Eljer
#207 Bonnet Packing	21/32"	7/16"	9/32"		36627Z			American Standard
#208 Bonnet Packing	21/32"	7/16"	5/16"	36628B				Kohler
#209 Bonnet Packing	11/16"	13/32"	5/16"	36629B	36629Z			Harcraft, Repcal, Speakman, Sphinx
#210 Bonnet Packing	11/16"	15/32"	11/32"	36630B				Price Pfister
#225 Bonnet Packing	7/8"	15/32"	1/2"	36610B				Repcal
#226 Bonnet Packing	5/8"	3/8"	1/4"	36611B				Mueller
-- Bonnet Packing	21/32"	11/32"	1/4"	12405B				
-- Bonnet Packing	3/4"	13/32"	11/32"	12410B				
-- Bonnet Packing	7/8"	13/32"	7/16"	12415B				
-- Bonnet Packing	21/32"	3/8"	9/32"		12705Z			Savoy, Sayco

BONNET PACKINGS

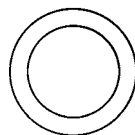
ALL BONNET PACKING DRAWINGS ARE ACTUAL SIZE



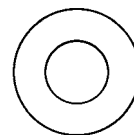
99



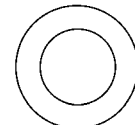
101



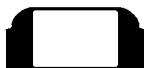
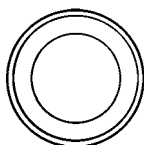
68



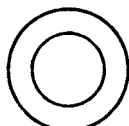
45



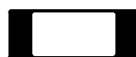
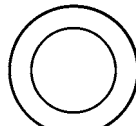
47



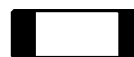
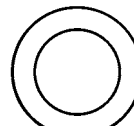
51



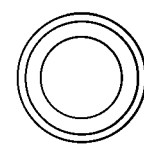
97



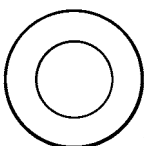
31



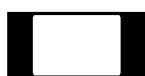
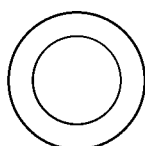
104



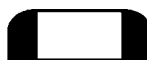
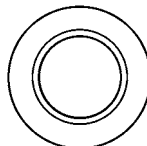
19



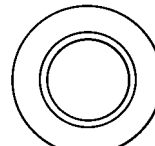
95



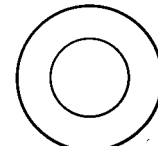
30



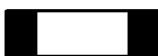
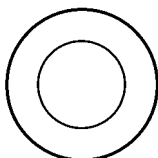
22



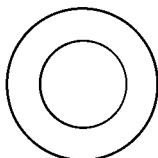
21



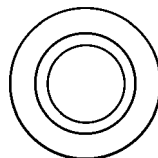
93



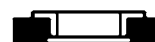
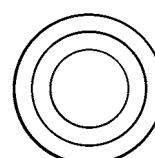
43



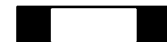
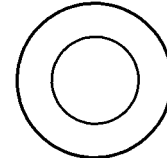
44



20



92



100

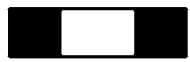
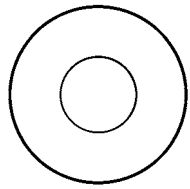


FAUCET REPAIR PARTS

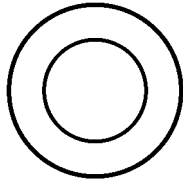
FAUCET REPAIR PARTS

BONNET PACKINGS

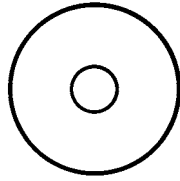
ALL BONNET PACKING DRAWINGS ARE ACTUAL SIZE



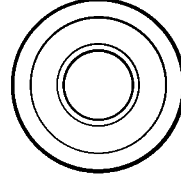
87



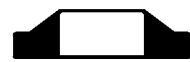
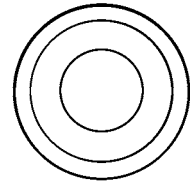
106



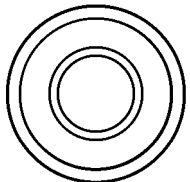
96



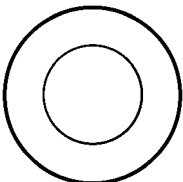
90



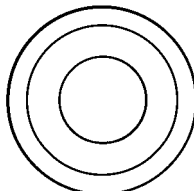
105



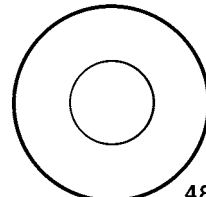
84



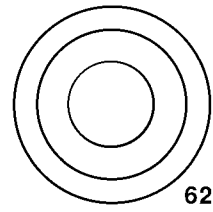
66



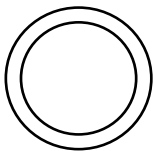
41



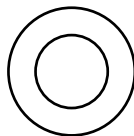
48



62



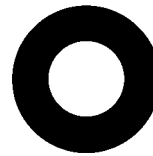
12623



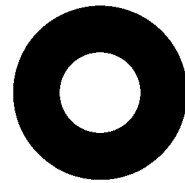
12705



12405



12410



12415

KITS FOR BONNET PACKINGS



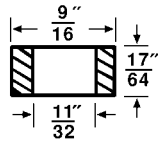
Stk. No. Description

39942 Contains 32 Different Types for a Total of 96 Pieces

FAUCET REPAIR PARTS

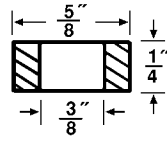


CLOTH INSERTED BONNET PACKINGS



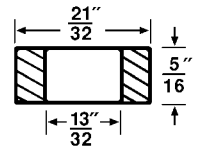
Stk. No. 36623B

Bonnet Packing No. 201



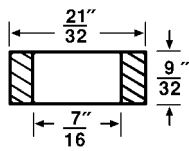
Stk. No. 36611B

Bonnet Packing No. 226



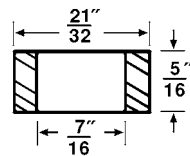
Stk. No. 36626B

Bonnet Packing No. 206



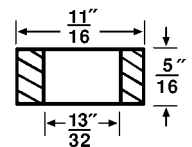
Stk. No. 36627Z

Bonnet Packing No. 207



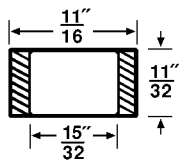
Stk. No. 36628B

Bonnet Packing No. 208



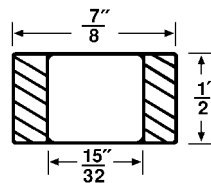
Stk. No. 36629B

Bonnet Packing No. 209



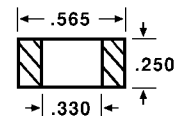
Stk. No. 36630B

Bonnet Packing No. 210



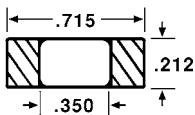
Stk. No. 36610B

Bonnet Packing No. 225



Stk. No. 35290B

Bonnet Packing No. 107



Stk. No. 35291Z

Bonnet Packing No

BATH DIVERter WASHER PACKAGED QUANTITIES

Description	Style	Bag 1 per Bag	Bulk 10 per Bag	Fits...
#6 Diverter Washer	Rubber	35684B		Gerber
#9 Diverter Washer	Nylon	35686B		Central Brass
#12 Diverter Washer	Felt	35689B		Crane, Speakman
#16 Diverter Washer	Nylon	35692B		Price Pfister
#17 Diverter Washer	Molded Rubber	35693B		Gerber, Sterling
#18 Diverter Washer	Brass		35694 (bulk)	Sayco
#21 Diverter Washer	Nylon	35697B		Eljer
#22 Diverter Washer	Felt	35698B		Harcraft, Sayco

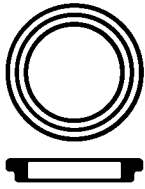
FAUCET REPAIR PARTS

BATH DIVERTER WASHERS

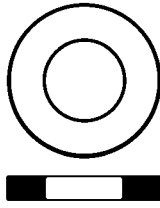
ALL BATH DIVERTER WASHER DRAWINGS ARE ACTUAL SIZE

This is that "All Important" washer that is used on the diverter stem to divert water from bath to shower...

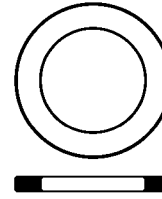
All washers are carefully molded, machined or stamped from the material most applicable for the fixture for which it is intended.



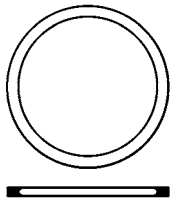
21



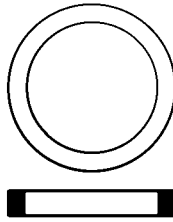
6



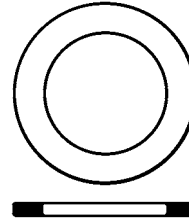
9



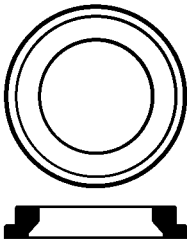
22



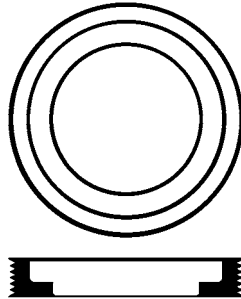
12



16



17



18

TOP BIBB GASKET PACKAGED QUANTITIES

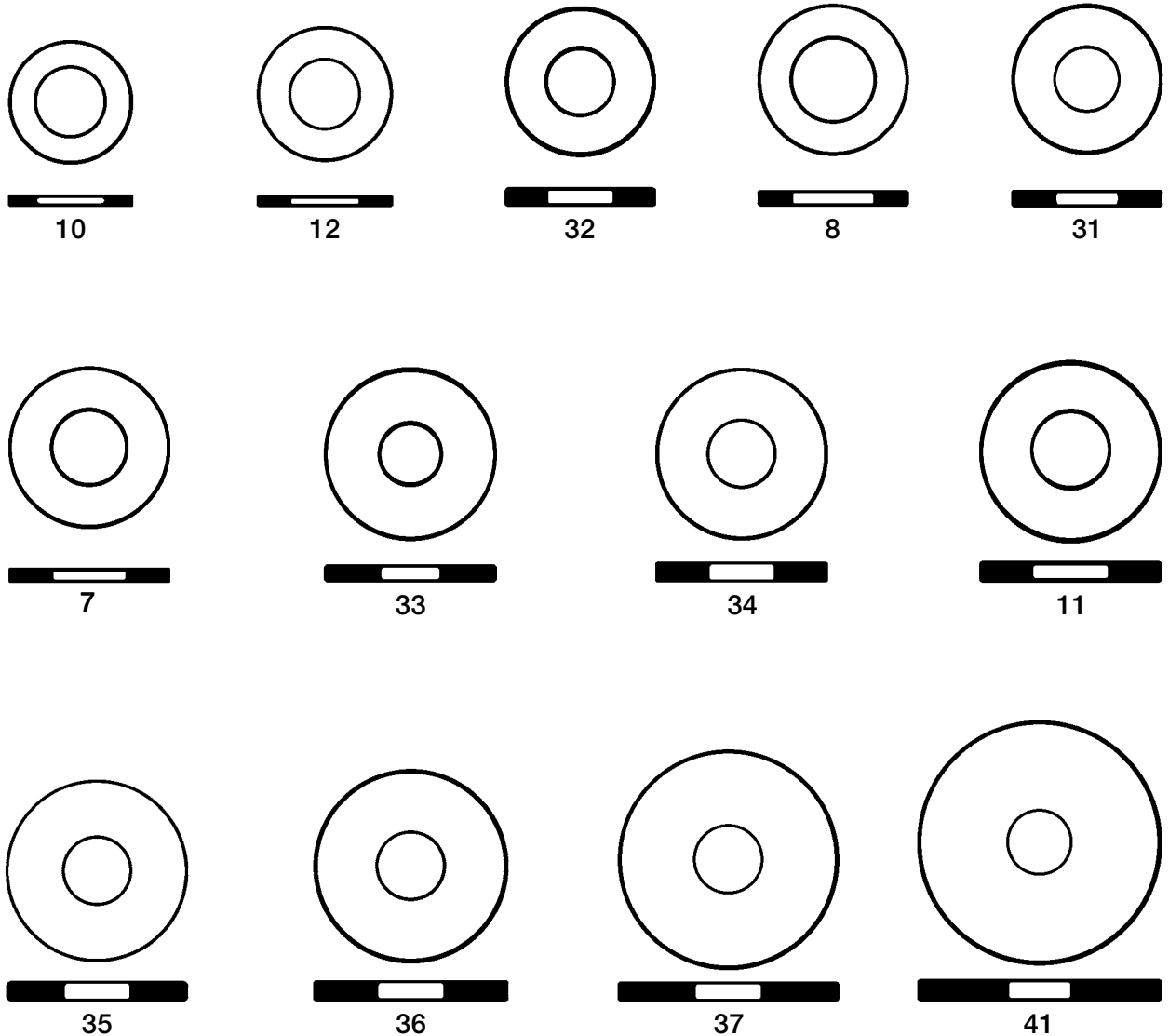
Description	Style	O.D.	I.D.	Thick	Bagged 1 per Bag	Fits...
#7 Top Bibb Gasket	Fiber	7/8"	13/32"	1/16"	35310B	Kohler
#8 Top Bibb Gasket	Fiber	13/16"	7/16"	1/16"	35311B	Michigan Brass, Royal Brass, Wolverine
#10 Top Bibb Gasket	Fiber	21/32"	3/8"	3/64"	35312B	American Standard
#11 Top Bibb Gasket	Fiber	31/32"	13/32"	3/32"	35313B	American Brass, Briggs, Central Brass, Galt, McDonald, Mueller, Muller, Pubco, Royal Brass, Sears, T & S Brass
#12 Top Bibb Gasket	Fiber	47/64"	3/8"	3/64"	35314B	Harcraft
#31 Top Bibb Gasket	Rubber	13/16"	11/32"	1/16"	35315B	Crane
#32 Top Bibb Gasket	Rubber	13/16"	3/8"	3/32"	35316B	Various
#33 Top Bibb Gasket	Rubber	15/16"	5/16"	3/32"	35317B	Various
#34 Top Bibb Gasket	Rubber	15/16"	3/8"	3/32"	35318B	Calco, Central Brass
#35 Top Bibb Gasket	Rubber	1"	11/32"	3/32"	35319B	Crane
#36 Top Bibb Gasket	Rubber	1-1/16"	11/32"	3/32"	35320B	Various
#37 Top Bibb Gasket	Rubber	1-3/16"	11/32"	3/32"	35321B	Universal Brass
#38 Top Bibb Gasket	Rubber	1-5/16"	11/32"	3/32"	35322B	Various

FAUCET REPAIR PARTS



TOP BIBB GASKETS

ALL TOP BIBB GASKET DRAWINGS ARE ACTUAL SIZE



TOP BIBB FRICTION RING PACKAGED QUANTITIES

Description	Bag 1 per Bag	Bulk As Shown	Fits...
#2 Top Bibb Friction Ring	36612B		Use with Stk. #35316 & 35317 Cuthbert, Dick Brothers, Harcraft
#7 Top Bibb Friction Ring		35346Z	Briggs, Crane, Kohler, Speakman
#8 Top Bibb Friction Ring		35347Z	American Standard, Briggs, Burlington, Central Brass, Eljer, Gerber, Import, McDonald, Michigan Brass, Milwaukee, Price Pfister, Repcal, Royal Brass, Schaible, Sears, Sterling, Tracy, Union Brass, Universal Rundle, Youngstown
#24 Top Bibb Friction Ring		35360Z	American Standard, Aqualine-Paragon, Barnes, Chase, Cuthbert, Dick Brothers, Eljer, Milwaukee, Mueller, Schaible, Tracy, Wolverine, Youngstown
#45 Top Bibb Friction Ring	36617B		Cuthbert, Sayco
#53 Top Bibb Friction Ring	36615B		American Brass, Chicago Faucet
#54 Top Bibb Friction Ring	36616B		Speakman

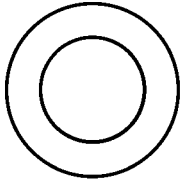


FAUCET REPAIR PARTS

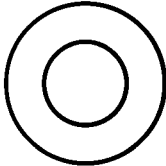
FAUCET REPAIR PARTS

TOP BIBB FRICTION RINGS

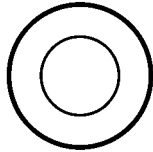
ALL TOP BIBB FRICTION RING DRAWINGS ARE ACTUAL SIZE



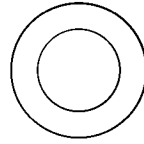
7



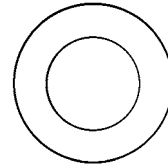
8



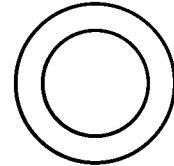
24



45



53



54

SPECIALTY WASHERS and REPAIR PARTS

SMALL SEAL & DISC FOR CERAMIC STEMS



Product	Carded
Stk. No.	Stk. No.
89021	—

MEDIUM SEAL & DISC FOR CERAMIC STEM



Product	Carded
Stk. No.	Stk. No.
89022	—

LARGE SEAL & DISC FOR CERAMIC STEMS



Product	Carded
Stk. No.	Stk. No.
89023	—

NU-SEAL DIAPHRAGM FOR AMERICAN STANDARD



Product	Carded
Stk. No.	Stk. No.
36516B, W	80413 (2 per Card)

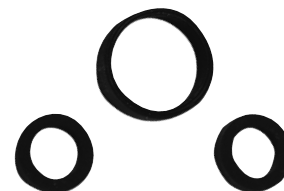
DIAPHRAGM FOR AMERICAN STANDARD AQUASEAL (NEW STYLE)



Product	Carded
Stk. No.	Stk. No.
36565B, W	80410 (2 per Card)

AQUARIAN SEAL SET FOR AMERICAN STANDARD

Fits Aquarian Kitchen & Lavatory Faucets



Carded	Stk. No.
80720	—

FAUCET REPAIR PARTS



SPECIALTY WASHERS and REPAIR PARTS

SEAT WASHER FOR CHICAGO NAIAD



Product	Carded
Stk. No.	Stk. No.
36822W	—

SEAT WASHER FOR CHICAGO QUATURN



Product	Carded
Stk. No.	Stk. No.
36812B, W	—

WASHER FOR CRANE DIALESE



Product	Carded
Stk. No.	Stk. No.
36738B, W	10401

SEATS & SPRINGS FOR DELEX



Product	Carded
Stk. No.	Stk. No.
	80704 (Seat & Spring)
<i>Contains 1 each:</i>	
18002B	Spring

OLD STYLE SEATS & SPRINGS FOR DELTA



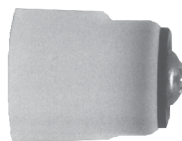
Product	Carded
Stk. No.	Stk. No.
	80703 (Seat & Spring)
<i>Contains 1 each:</i>	
30758B	Seat

NEW STYLE SEATS & SPRINGS FOR DELTA



Product	Carded
Stk. No.	Stk. No.
30769Q	80684 (Seat & Spring)
<i>Contains 1 each:</i>	
18003B	Seat
18013B	Spring

HOT PLUNGER FOR KOHLER



Product	Carded
Stk. No.	Stk. No.
17805B	—

COLD PLUNGER FOR KOHLER



Product	Carded
Stk. No.	Stk. No.
17806B	—

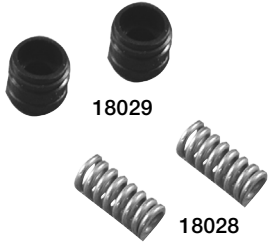


FAUCET REPAIR PARTS

FAUCET REPAIR PARTS

SPECIALTY WASHERS and REPAIR PARTS

SEATS & SPRINGS FOR MILWAUKEE



Carded
Stk. No. _____
88005

SEAT WASHER FOR PRICE PFISTER WASHERLESS STEMS



Carded
Stk. No. _____
80359

BRASS STEM SPACER AND SEAT RING FOR PRICE PFISTER



Product
Stk. No. _____
17755B Seat Ring

BOTTOM SEALS FOR PRICE PFISTER 3H-10H/C STEM



Carded
Stk. No. _____
89035

BOTTOM SEAL FOR PRICE PFISTER 9H-8H/C STEMS



Carded
Stk. No. _____
89045

GASKET FOR PRICE PFISTER S/L

- Ceramic Disc



Carded
Stk. No. _____
89051

SEATS & SPRINGS FOR STERLING



Product Carded
Stk. No. Stk. No.
_____ _____
31865 88745

SEATS & SPRINGS FOR VALLEY



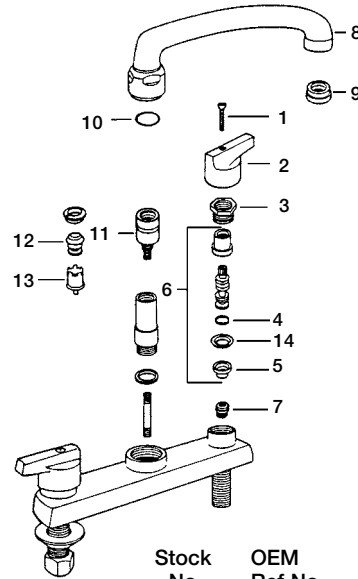
Product Carded
Stk. No. Stk. No.
_____ _____
31503Q 80686

REPAIRS FOR

AMERICAN STANDARD

AQUA-SEAL KITCHEN FAUCET

Series 4100, 4150, R4111



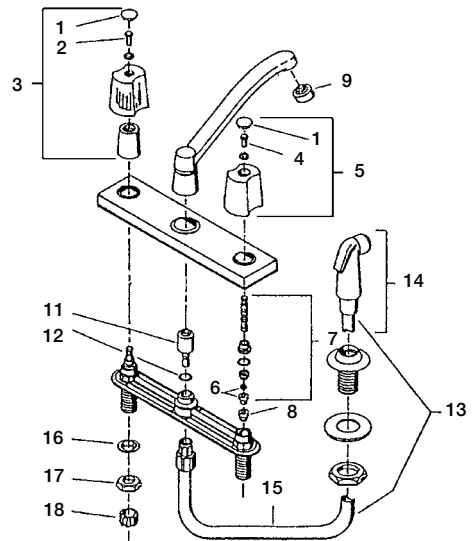
Item No.	Stock No.	OEM Ref No.	Description
1	35639B	690-3100	Handle Screw
2	46102	—	Handle Pair <i>Hot & Cold</i>
3	—	855-17	Locknut <i>Hot & Cold</i>
4	35724B	102	Stem O-Ring <i>Old Style</i>
	75055B	102	Stem O-Ring <i>New Style</i>
5	36565B	218	Aqua-Seal Washer
6	15729E	72950-17	Stem R.H. <i>Hot (less Locknut)</i>
	15730E	72951-17	Stem L.H. <i>Cold (less Locknut)</i>
7	30019E	862-14	Bibb Seat <i>Brass</i>
8	—	8098-02	Spout Assembly
9	10481	56135-02	15/16F Aerator
10	35731B	55233-0	Spout O-Ring
11	—	12435-07	Spray Diverter
12	—	696-17	Spray Diverter (<i>Upper</i>)
13	—	697-17	Spray Diverter (<i>Lower</i>)
14	—	600SR	Stop Ring

Stock No.	OEM Ref No.	Description
124102	—	Stem Repair Kit
	<i>Contains:</i>	(1) 36565 Special Washer (1) 30019 Seat (1) 35724 O-Ring (1) 35755 O-Ring (2) 35742 O-Ring

REPAIRS FOR

AMERICAN STANDARD

CADET DECK MOUNTED KITCHEN FAUCET



Item No.	Stock No.	OEM Ref No.	Description
1	—	68498-0070A	Index Button <i>Hot (5 per Pak)</i>
	—	68498-0070A	Index Button <i>Cold (5 per Pak)</i>
2	—	1263.27	Handle Screw (for Lucite Handles) (10 per Pak)
3	—	44291.2	(1) Pair Lucite Handles <i>Hot & Cold</i>
4	35646B	173.07	Handle Screw (for Metal Handles)
5	—	44292-0020A	(1) Pair Metal Handles <i>Hot & Cold</i>
6	36516B	44293.07	Nu Seal Washer <i>Bagged</i>
7	17423E	44261.07	Stem Unit <i>Complete</i> R.H. <i>Hot or Cold</i>
8	30145E	44257.04	Bibb Seat (10 per Pak)
9	10487	34171.02	15/16M Aerator
11	—	44264.02	Diverter
12	35754B	59225.07	Spout O-Ring
13	80762	—	Spray Head & Hose Assembly
14	80760	61814.07	Spray Head
15	80761	1178.17	Hose
16	36476B	754.19	Rosette
17	73106B	54301.09	Locknut <i>Zinc</i>
18	73107B	24220.07	Supply Nut <i>Zinc</i>

Stock No.	OEM Ref No.	Description
124110	—	Stem Repair Kit
	<i>Contains:</i>	(1) 36516 Special Washer (1) 30145 Seat (1) 30173 Seat

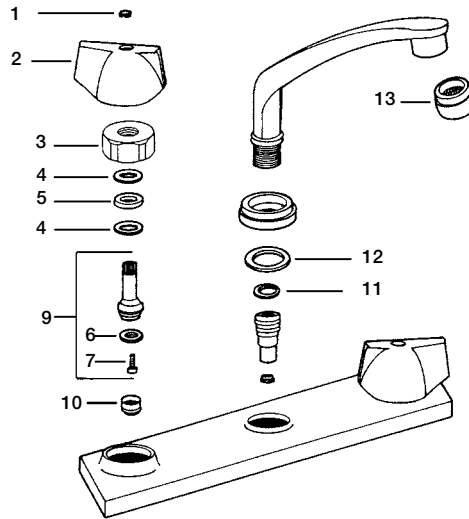
REPAIRS FOR

AMERICAN STANDARD

COLONY KITCHEN FAUCET

Series A4169

Item No.	Stock No.	OEM Ref No.	Description
1	35639B	690-31	Handle Screw
2	46104	—	(1) Pair Handles <i>Hot & Cold</i>
3	—	64805-07	Bonnet <i>Hot & Cold</i>
4	35360Z	64704-07	Top Bibb Ring
5	35228B 35229B	64775-07 64775-07	Bonnet Packing (2-Piece) Bonnet Packing (As Shown)
6	35063B	858-17	O Flat Bibb Washer
7	35141B	56480-08	Bibb Screw
9	—	50636-07 64803-07	Stem L.H. Hot Stem R.H. Cold
10	30043E	57281-07	Brass Bibb Seat
11	35731B	887-17	Spout O-Ring
12	—	50688-07	Spout Packing
13	10483	56135-02	15/16M Aerator



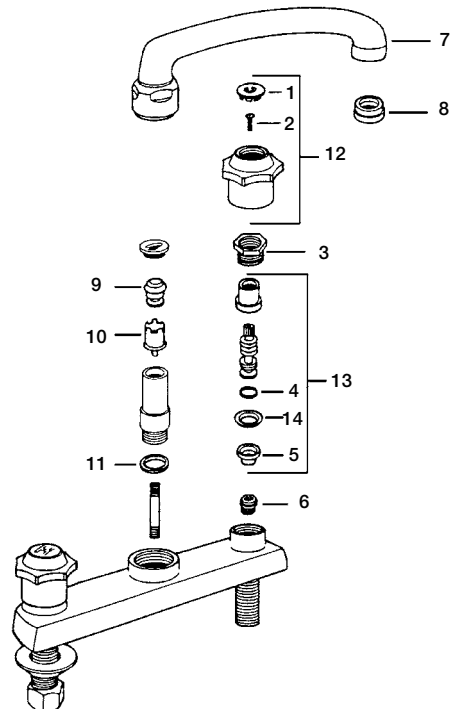
REPAIRS FOR

AMERICAN STANDARD

HERITAGE KITCHEN FAUCET

Series N4100

Item No.	Stock No.	OEM Ref No.	Description
1	26617B 26618B	1234-22 1234-22	Index Button <i>Hot</i> Index Button <i>Cold</i>
2	35646B	915-17	Handle Screw
3	—	855-17	Locknut <i>Hot & Cold</i>
4	35724B 75055B	246-37 246-37	Stem O-Ring <i>Old Style</i> Stem O-Ring <i>New Style</i>
5	36565B	72940-07	Aqua-Seal Washer
6	30019E	862-14	Bibb Seat <i>Brass</i>
7	—	8098-02	Spout Assembly
8	10481	56135-02	15/16F Aerator
9	—	696-17	Spray Diverter (Upper)
10	—	696-17	Spray Diverter (Lower)
11	35731B	887-17	Spout O-Ring
12	—	6458-02	(1) Pair Handles with Screws & Index Buttons (<i>carded</i>)
13	15729E	72950-17	Stem R.H. Hot & Cold
14	—	72959-07	Stop Ring
15	—	55233-07	Snap Ring

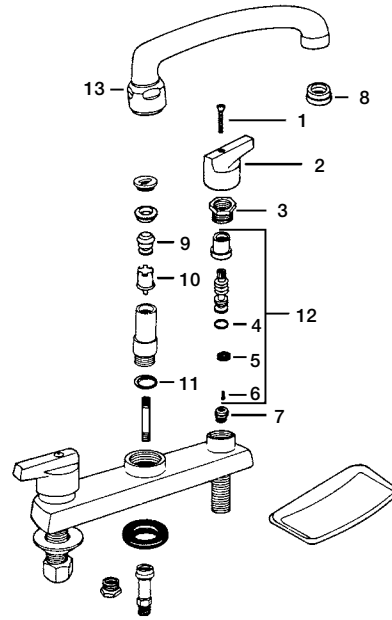


REPAIRS FOR

AMERICAN STANDARD

KITCHEN FAUCET

Series R4011



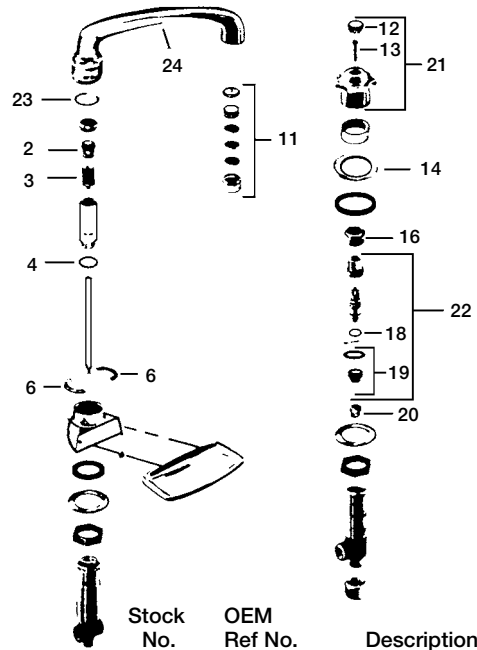
Item No.	Stock No.	OEM Ref No.	Description
1	35654B	690-31	Handle Screw
2	46102	—	(1) Pair Handles <i>Hot & Cold</i>
3	—	855-17	Locknut <i>Hot & Cold</i>
4	35742B	886-17	Stem O-Ring
5	35063B	858-17	O Flat Bibb Washer
6	35142B	759-17	Bibb Screw
7	30019E	862-14	Brass Bibb Seat
8	10481	56135-02	15/16F Aerator
9	—	696-17	Spray Diverter (<i>Upper</i>)
10	—	697-17	Spray Diverter (<i>Lower</i>)
11	35731B	887-17	Spout O-Ring
12	15744E 15745E	6079-04 6080-04	Stem with Bonnet R.H. <i>Hot</i> Stem with Bonnet L.H. <i>Cold</i>
13	—	8098-02	Spout Assembly with Aerator

REPAIRS FOR

AMERICAN STANDARD

KITCHEN FAUCET

Series N4020, 4010, 4020, 4030



Item No.	Stock No.	OEM Ref No.	Description
2	—	696-17	Autospray (<i>Upper</i>)
3	—	697-17	Autospray (<i>Lower</i>)
4	35731B	887-17	O-Ring
6	—	401-27	Washer Retainer
11	10483	56135-02	Aerator
12	26617B 26618B	1234-22 1234-22	Index Button <i>Hot</i> Index Button <i>Cold</i>
13	—	1130-17	Handle Screw
14	—	679-32	Escutcheon
16	—	855-17	Locknut
18	35742B	246-37	O-Ring
19	36565B	72940-07	Aquaseal
20	30019E	862-14	Seat <i>Brass</i>
21	—	6458-02	(1) Pair Handles with Screws & Index Buttons (<i>carded</i>)
22	15729E 15731E 15732E	72950-17 — —	Aquaseal Stem Assembly Stem with Locknut R.H. <i>Hot</i> Stem with Locknut L.H. <i>Cold</i>
23	—	55233-07	Spout Snap Ring
24	—	8098-02	Spout

Stock No.	OEM Ref No.	Description
124102	—	Stem Repair Kit
		<i>Contains:</i>
		(1) 36565 Special Washer
		(1) 30019 Seat
		(1) 35724 O-Ring
		(1) 35755 O-Ring
		(2) 35742 O-Ring

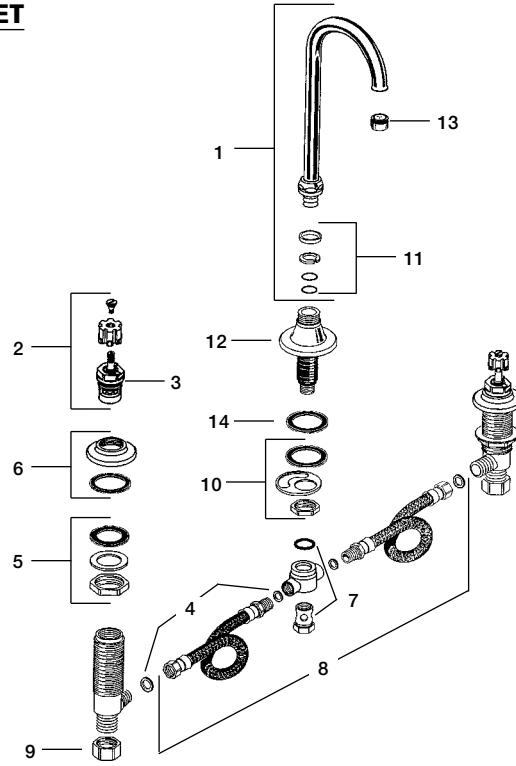
REPAIRS FOR

AMERICAN STANDARD

HERITAGE® AMARILIS WIDE-SPREAD BAR SINK FAUCET

Series 7890

Item No.	Stock No.	OEM Ref No.	Description
1	—	012088-0020A	Swing Spout Kit
2	17484E	028610-0070A	Cartridge
3	—	030741-0070A	Cartridge Seal Kit
4	—	033759-0070A	Hose Seal Kit (4 pieces)
5	—	030258-0070A	Valve Mounting Kit
6	—	030257-0020A	Escutcheon Kit
7	—	033757-0070A	Tee Mounting Kit
8	—	033758-0050A	Tee & Hose Kit
9	—	024220-0070A	Supply Nut Brass
10	—	030256-0070A	Spout Mounting Kit
11	—	012087-0070A	Swing Spout Seal Kit
12	—	012123-0020A	Spout Escutcheon Kit
13	10481	066111-0020A	15/16F Aerator
14	—	012669-0070A	Rubber Ring



HERITAGE is a registered Trademark of American Standard Plumbing & Heating Division

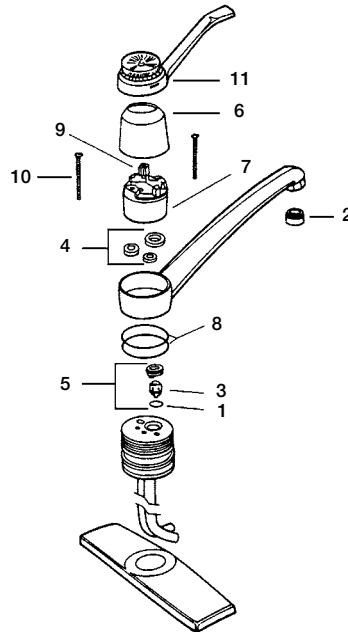
REPAIRS FOR

AMERICAN STANDARD

AQUARIAN™ KITCHEN FAUCET

Series 4177, 4179

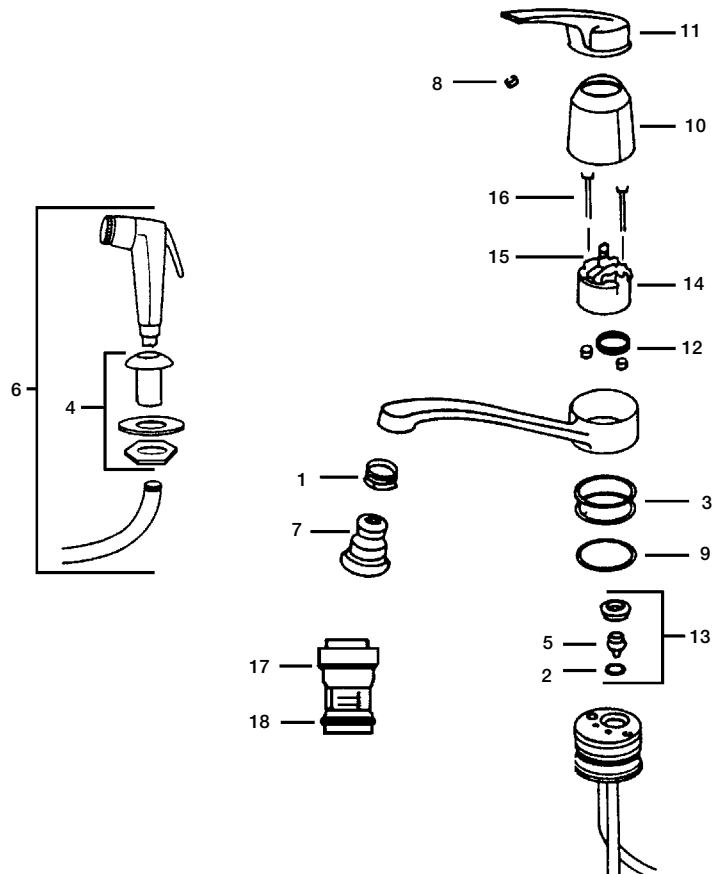
Item No.	Stock No.	OEM Ref No.	Description
1	35742B	28	O-Ring
2	10483	200M	15/16M Aerator
3	—	57632-07	Diverter
4	80720	57583-07	Cartridge Seal Set (carded)
5	—	57585-07	Diverter & Retainer Set
6	—	57627-07	Escutcheon Cap
7	30592	57864-0070A	Cartridge & Cap Bagged
	80716	57864-0070A	Cartridge & Cap (carded)
8	—	69031	Quad Rings
9	—	70462-07	Plastic Cap
10	—	57613-07	(1) Cartridge Screw 2 Required
11	—	77031-02	Lever Handle (bagged)
	—	77031-02	Lever Handle (carded)



AMERICAN STANDARD

AQUARIAN™ II KITCHEN FAUCET

Series 4200, 4201



Item No.	Stock No.	OEM Ref No.	Description
1	10481	941-220	15/16F Aerator
2	35742B	28	O-Ring
3	75099B	103	Spout O-Ring (Prior to 1980)
	—	37962.070	Spout O-Ring (1980 to Present)
4	86948	200	Spray Hose Guide <i>Chrome</i>
5	—	69360.07	Diverter
6	80762	422-4C	Spray Head & Hose Assembly
7	10501	70448.02	Sprayator
8	—	37957.09	Set Screw
9	—	37961.07	Slip Ring
10	—	37964.02	Escutcheon Cap
11	—	37982.02	Handle
12	80720	57583-07	Cartridge Seal Set (<i>carded</i>)
14	30592	57864.007A	Cartridge & Cap (<i>bagged</i>)
	80716	57864.007A	Cartridge & Cap (<i>carded</i>)
15	—	70462.07	Plastic Cap
16	—	57613-07	(1) Cartridge Screw 2 Required
17	35744B	57631.07	O-Ring
18	35749B	13205.07	O-Ring
19	—	13200-0070A	Alternate Style Diverter

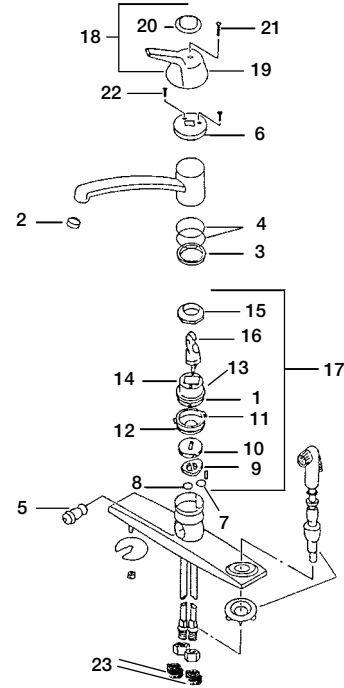
REPAIRS FOR

AMERICAN STANDARD

RELIANT™ KITCHEN FAUCET

Series 4205

Item No.	Stock No.	OEM Ref No.	Description
1	35749B	13205	O-Ring
2	10481	34171	15/16F Aerator
3	—	066542-0070A	Spout Bearing Washer
4	35739B	042840-0070A	Spout O-Ring 2 Required
5	—	042850-0070A	Spray Diverter
6	—	044841-0070A	Cap
7	—	044850-0070A	Valve Seat Pin (Use No. 31390)
8	35755B	044856-0070A	(1) O-Ring 2 Required
9	—	044858-0070A	Valve Seat (Use No. 31390)
10	—	044859-0070A	Valve Plate (Use No. 31390)
11	—	044860-0070A	Valve Plate Holder (Use No. 31390)
12	—	044861-0070A	Bearing Washer (Use No. 31390)
13	35743B	044862-0070A	O-Ring
14	—	044863-0070A	Retainer Plate (Use No. 31390)
15	—	044867-0070A	Adjustment Nut (Use No. 31390)
16	—	044869-0070A	Pivot Sub-Assembly
17	—	044885-0070A	Cartridge Replacement Kit
18	—	050073-0020A	Lever Handle Assembly
19	—	044893-0070A	Handle Only
20	—	44894.07	Handle Index Button
21	—	044895-0070A	Handle Screw
22	—	044899-0070A	Cap Screw 2 Required
23	—	043379-0070A	Plastic Supply Nut



RELIANT is a registered Trademark of American Standard Plumbing & Heating Division

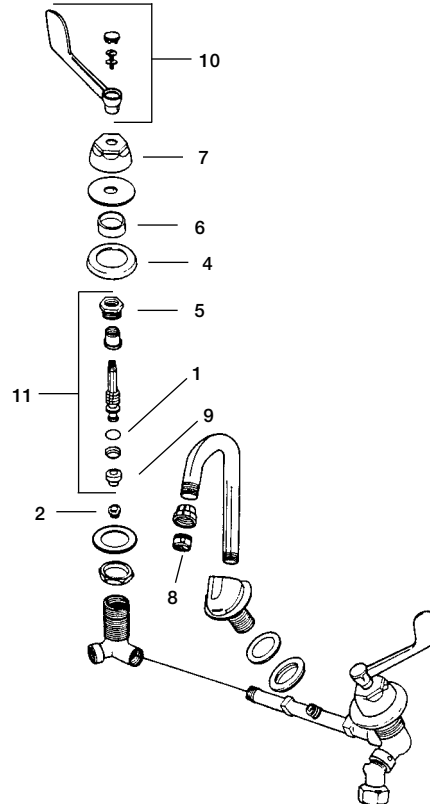
REPAIRS FOR

AMERICAN STANDARD

AQUASEAL LAVATORY FAUCET

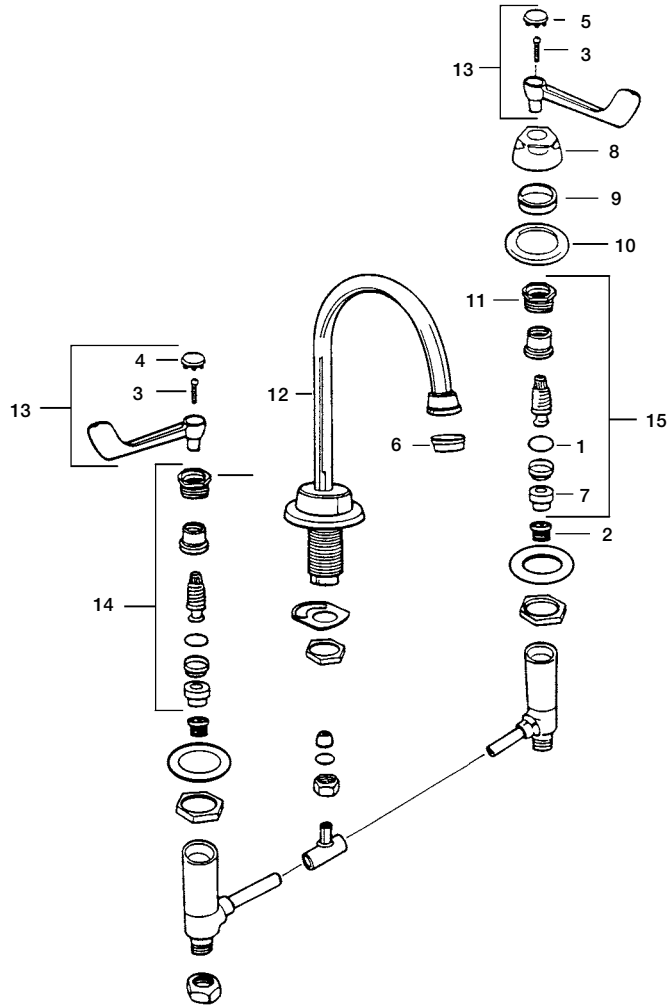
Model 7520.034, HN95175A-8 & HN95175A-10

Item No.	Stock No.	OEM Ref No.	Description
1	35724B 75055B	246-37 72959-07	Stem O-Ring <i>Old Style</i> Stem O-Ring <i>New Style</i>
2	30019E	862-14	Bibb Seat <i>Brass</i>
3	25703B 25704B	55906-02 55906-02	Index Button <i>Hot</i> Index Button <i>Cold</i>
4	—	679-32	Escutcheon
5	—	855-17	Locknut
6	—	25173-04	Escutcheon Holder
7	—	25174-02	Bonnet 7/16" I.D.
8	10483	56135-02	15/16M Aerator
9	36565B 80410	72940-07 72940-07	Stem Diaphragm (1) Pair Stem Diaphragms (<i>carded</i>)
10	—	7857-02	(1) Pair Hospital Style Lever Handles
11	—	72970-04 72979-04	Stem with Bonnet & Locknut R.H. Hot Stem with Bonnet & Locknut L.H. Cold



AMERICAN STANDARD

AQUASEAL WIDE-SPREAD LAVATORY FAUCET



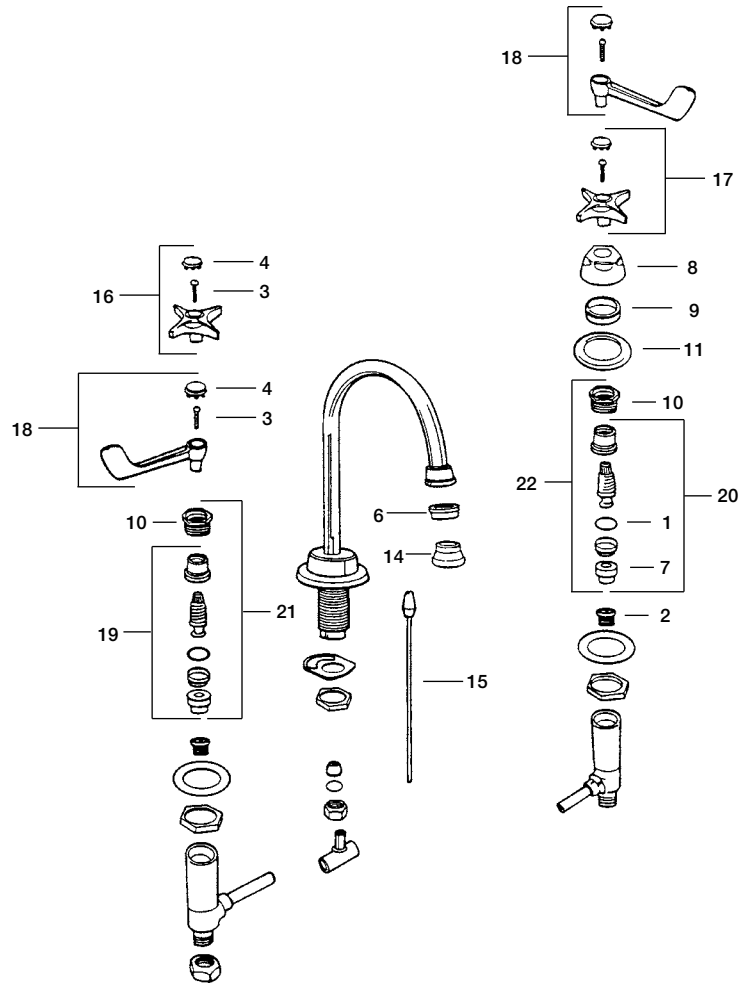
Item No.	Stock No.	OEM Ref No.	Description
1	35724B 75055B	— —	#7 Stem O-Ring <i>Old Style</i> #102 Stem O-Ring <i>New Style</i>
2	30019E	862-14	#20 Bibb Seat Brass
3	35646B	264-17	#45 Handle Screw
4	—	1837-023	Index Button <i>Hot</i>
5	—	1838-021	Index Button <i>Cold</i>
6	10483 —	56135-02 25715-02	15/16 M Aerator Aerator Adapter <i>Not Illustrated</i>
7	36565B 80410	72940-07 72940-07	Stem Diaphragm Stem Diaphragms (1 Pair) (<i>carded</i>)
8	— —	25174-02 453-12	Bonnet (<i>Small Hole</i>) Bonnet (<i>Large Hole</i>)
9	—	25173-04	Escutcheon Holder
10	—	679-32	Escutcheon
11	—	855-17	Locknut
12	—	42936-02	Gooseneck Spout
13	— —	7887-0210 7887-0230	Hospital Style Lever Handle <i>Hot</i> Hospital Style Lever Handle <i>Cold</i>
14	—	—	Stem with Bonnet & Locknut R.H. Hot
15	—	—	Stem with Bonnet & Locknut L.H. Cold

Stock No.	OEM Ref No.	Description
124102	—	Stem Repair Kit
		<i>Contains:</i>
		(1) 30019 Brass Bibb Seat
		(1) 35724 Stem O-Ring <i>Old Style</i>
		(2) 35742 Stem O-Rings
		(1) 35755 O-Ring
		(1) 36565 Diaphragm

AMERICAN STANDARD

WIDE-SPREAD LAVATORY FAUCET

Series 2238 with Gooseneck



Item No.	Stock No.	OEM Ref No.	Description
1	35724B 75055B	— —	#7 Stem O-Ring <i>Old Style</i> #102 Stem O-Ring <i>New Style</i>
2	30019E	862-14	#20 Bibb Seat <i>Brass</i>
3	35652B	38342-07	#51 Handle Screw
4	25703B	1837-023	#103H Index Button <i>Hot Chrome Plated</i>
5	25704B	1838-021	#104C Index Button <i>Cold Chrome Plated</i>
6	10483	56135-02	15/16 Male Aerator <i>Chrome Plated</i>
7	36565B 80410	72940-07 72940-07	Stem Diaphragm (1) Pair Stem Diaphragms (<i>carded</i>)
8	—	453-12	Bonnet
9	—	25173-04	Escutcheon Holder
10	—	855-17	Locknut
11	—	679-32	Escutcheon
12	—	4007	Gooseneck Spout with Spray
	—	4008	Gooseneck Spout with Aerator
	—	38336	Gooseneck Spout with Offset
14	—	5450	Spray
15	—	70662	Lift Rod
16	—	—	Cross-Arm Handle <i>Hot</i>
17	—	—	Cross-Arm Handle <i>Cold</i>
	—	—	(1) Pair Cross-Arm Handles
18	—	—	(1) Pair Hospital Style Lever Handles
19	15729E	72991-17	Stem with Bonnet R.H. <i>Hot</i>
20	15730E	—	Stem with Bonnet L.H. <i>Cold</i>
21	15731E	—	Stem with Bonnet & Locknut R.H. <i>Hot</i>
22	15732E	—	Stem with Bonnet & Locknut L.H. <i>Cold</i>

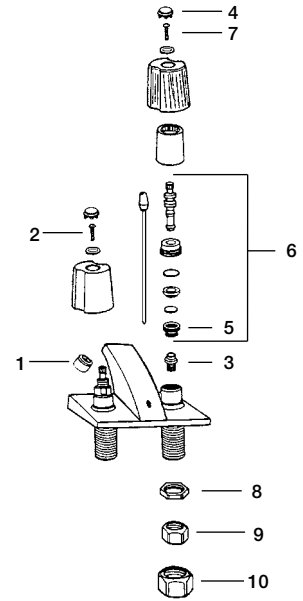
Stock No.	OEM Ref No.	Description
124102	—	Stem Repair Kit
	<i>Contains:</i>	(1) 30019 Brass Bibb Seat (1) 35724 Stem O-Ring <i>Old Style</i> (2) 35742 Stem O-Rings (1) 35755 O-Ring (1) 36565 Diaphragm

REPAIRS FOR

AMERICAN STANDARD

CADET CENTERSET LAVATORY FAUCET

Series 2350



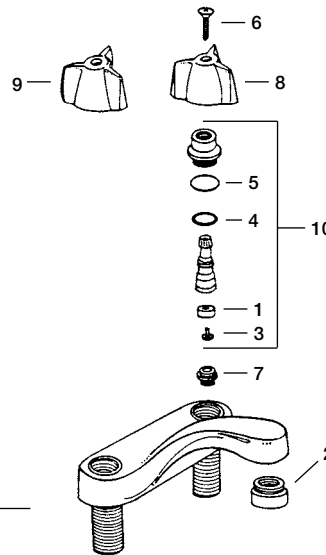
Item No.	Stock No.	OEM Ref No.	Description
1	10483	34171.02	15/16M Aerator
2	35154B	173.07	Handle Screw
3	30145E	44257.04	Bibb Seat Brass (10 per Pak)
4	—	68498-0070A	Index Button Hot (5 per Pak)
	—	68498-0070A	Index Button Cold (5 per Pak)
5	36516B	44293.07	Replacement Cadet Nu-Seal Washer (1) (bagged)
	80413	44293.07	Replacement Cadet Nu-Seal Washer (1) Pair (carded)
6	17423E	44261.07	Stem Assembly RH Hot & Cold
7	—	1263.27	Handle Screw
8	36476B	754.19	Rosette
9	73106B	54307.09	Locknut Zinc
10	—	24220.07	Supply Nut Plastic

REPAIRS FOR

AMERICAN STANDARD

COLONY CENTERSET LAVATORY FAUCET

Series 2121.291 (C510-2R), 2121.267 (C510R)



Item No.	Stock No.	OEM Ref No.	Description
1	35063B	858-17	0 Flat Bibb Washer
2	10483	56135-02	15/16M Aerator
3	35141B	56480-07	Bibb Screw
4	35725B	61260-07	O-Ring
5	35729B	29307-07	O-Ring
6	35639B	690-31	Handle Screw
7	30043E	57281-07	Bibb Seat Brass
8	—	—	Hot Handle Metal
9	—	—	Cold Handle Metal
	46304	—	(1) Pair Handles Hot & Cold
10	15919E	61268-04	Stem R.H. Hot & Cold

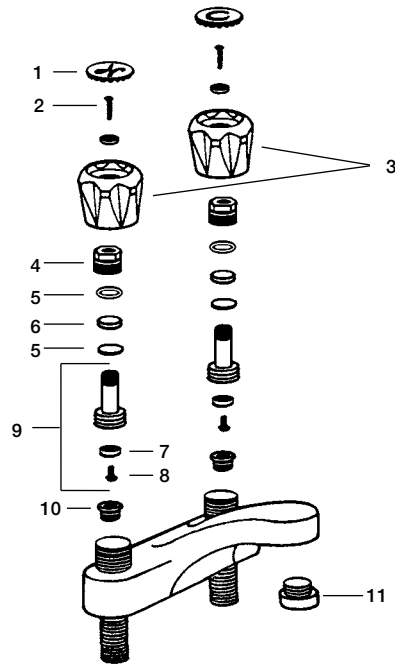
REPAIRS FOR

AMERICAN STANDARD

COLONY LAVATORY FAUCET

Series C510

Item No.	Stock No.	OEM Ref No.	Description
1	26005B 26006B	—	Index Button <i>Hot</i> Index Button <i>Cold</i>
2	35639B	690-31	Handle Screw
3	—	—	(1) Pair Handles <i>Hot & Cold</i>
4	—	64707-07	Bonnet
5	35360Z	64704-07	Top Bibb Ring
6	35228B 35229B	64775-07 64775-07	Bonnet Packing (2 Piece) Bonnet Packing (As Shown)
7	35063B	858-17	0 Flat Bibb Washer
8	35141B	56480-07	Bibb Screw
9	—	50636-07 64803-07	Stem <i>Hot</i> Stem <i>Cold</i>
10	30043E	57281-07	Bibb Seat <i>Brass</i>
11	10483	56135-02	15/16M Aerator

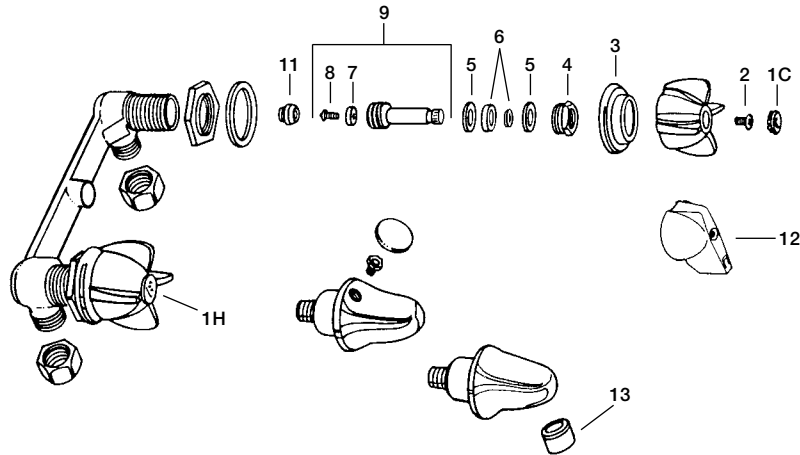


REPAIRS FOR

AMERICAN STANDARD

COLONY SHELF-BACK LAVATORY FAUCET

Series C507B, C507F, C508



Item No.	Stock No.	OEM Ref No.	Description
1H	25703B	55906-02	Index Button <i>Hot</i>
1C	25704B	55906-02	Index Button <i>Cold</i>
2	—	55368-07	Handle Screw
3	—	64709-0200	Escutcheon
4	—	—	Bonnet
5	35360Z	64704-07	Top Bibb Friction Ring
6	35229B	64775-07	Bonnet Packing
7	35063B	850-17	0 Flat Bibb Washer
8	35141B	759-27	Bibb Screw
9	—	64702-07 64702-07	Stem R.H. <i>Hot</i> Stem L.H. <i>Cold</i>

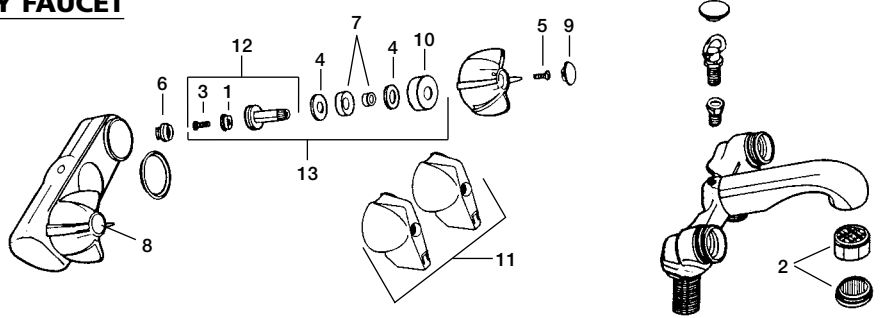
Item No.	Stock No.	OEM Ref No.	Description
11	30043E	57281-07	Bibb Seat <i>Brass</i>
12	—	—	Hot Handle Cold Handle (1) Pair Handles
13	10483	56135-07	15/16M Aerator

REPAIRS FOR

AMERICAN STANDARD

COLONY SHELF-BACK LAVATORY FAUCET

Series C530, C560



Item No.	Stock No.	OEM Ref No.	Description
1	35063B	850-17	0 Flat Bibb Washer
2	10483	56135-07	15/16M Aerator
3	35141B	759-27	Bibb Screw
4	35360Z	64704-07	Top Bibb Friction Ring
5	35639B	55368-07	Handle Screw
6	30043E	57281-07	Bibb Seat <i>Brass</i>
7	35229B	64775-07	Bonnet Packing
8	25703B	55906-02	Index Button <i>Hot</i>
9	25704B	55906-02	Index Button <i>Cold</i>
10	—	—	Bonnet <i>Hot & Cold</i>
11	—	—	Hot Handle Cold Handle (1) Pair Handles <i>Hot & Cold</i>
12	—	64803-07	Stem R.H. Hot
	—	64803-07	Stem L.H. Cold

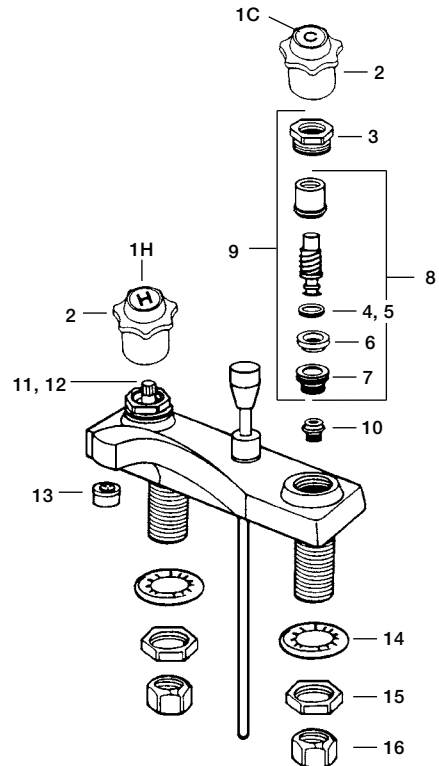
REPAIRS FOR

AMERICAN STANDARD

HERITAGE® LAVATORY FAUCET

Series 2103

Item No.	Stock No.	OEM Ref No.	Description
1H	26617B	2248-011H	Index Button <i>Hot</i>
1C	26618B	2248-011C	Index Button <i>Cold</i>
2	—	8347-02	Handle Pak (1 Pair) <i>Hot & Cold</i>
3	—	855-17	Locknut <i>Hot & Cold</i>
4	35724B	—	Stem O-Ring <i>Old Style</i>
5	75055B	—	Stem O-Ring <i>New Style</i>
6	—	72990-07	Stop Ring
7	36565B	72940-07	Stem Diaphragm
8	15729E	72950-17	Stem with Bonnet R.H. Hot
9	15731E	—	Stem with Bonnet & Locknut R.H. Hot
10	30019E	862-14	Bibb Seat <i>Brass</i>
11	15730E	72951-17	Stem with Bonnet L.H. Cold
12	15732E	—	Stem with Bonnet & Locknut L.H. Cold
13	10483	56135-02	15/16 Male Aerator
14	36476B	54538-09	Basin Cock Washer
15	—	300-27	Shank Locknut
16	—	24220-70A	Faucet Shank Nut
	35646B	1130-17	Handle Screw <i>Not Illustrated</i>



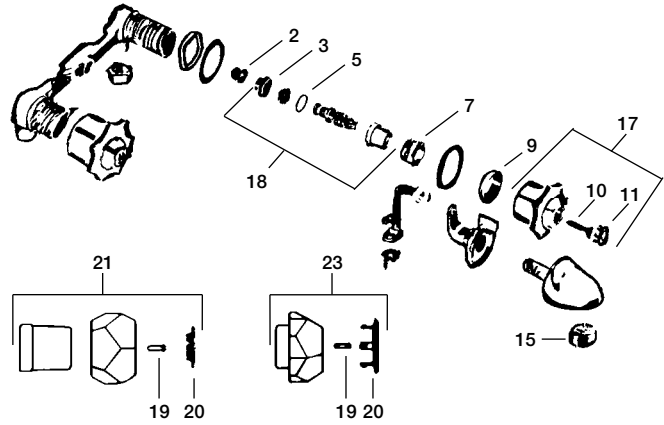
HERITAGE is a registered Trademark of American Standard Plumbing & Heating Division

REPAIRS FOR

AMERICAN STANDARD

HERITAGE® TRIM SHELF-BACK LAVATORY FAUCET

Series Aquaseal N-2107, N-2108, N-2109, N-2148



Item No.	Stock No.	OEM Ref No.	Description
2	30019E	862-14	Seat <i>Brass</i>
3	36565B	72940-07	Aquaseal Diaphragm
5	35742B	246-37	O-Ring
7	—	855-17	Locknut
10	—	1130-17	Handle Screw
11	26617B	1234-22	Button <i>Hot</i>
	26618B	1234-22	Button <i>Cold</i>
15	10483	56135-02	Aerator
17	46495	—	(1) Handle with Hot, Cold & Diverter Index Buttons
	88080	—	(1) Pair Handles, Hot & Cold (<i>carded</i>)
18	15729E	—	Stem R.H. Hot & Cold
19	35654B	1130.17	Handle Screw
20	—	66328-0020A	Index Buttons <i>Hot, Cold & Diverter</i>
21	—	6321.02	Pair Crystal Handles <i>New Style</i>
22	—	66330-0070A	Index Button <i>Hot</i>
	—	66330-0070A	Index Button <i>Cold</i>
23	—	6318.02	(1 Pair) Metal Handles <i>New Style</i>

Stock No.	OEM Ref No.	Description
124102	—	Stem Repair Kit
	<i>Contains:</i>	(1) 30019 Brass Bibb Seat (1) 35724 Stem O-Ring <i>Old Style</i> (2) 35742 Stem O-Rings (1) 35755 O-Ring (1) 36565 Diaphragm

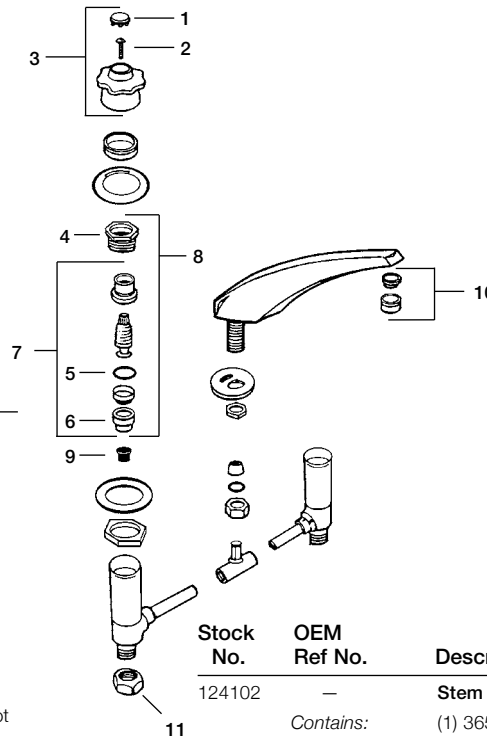
HERITAGE is a registered Trademark of American Standard Plumbing & Heating Division

REPAIRS FOR

AMERICAN STANDARD

WIDE-SPREAD LAVATORY FAUCET

Series 2240, 2248



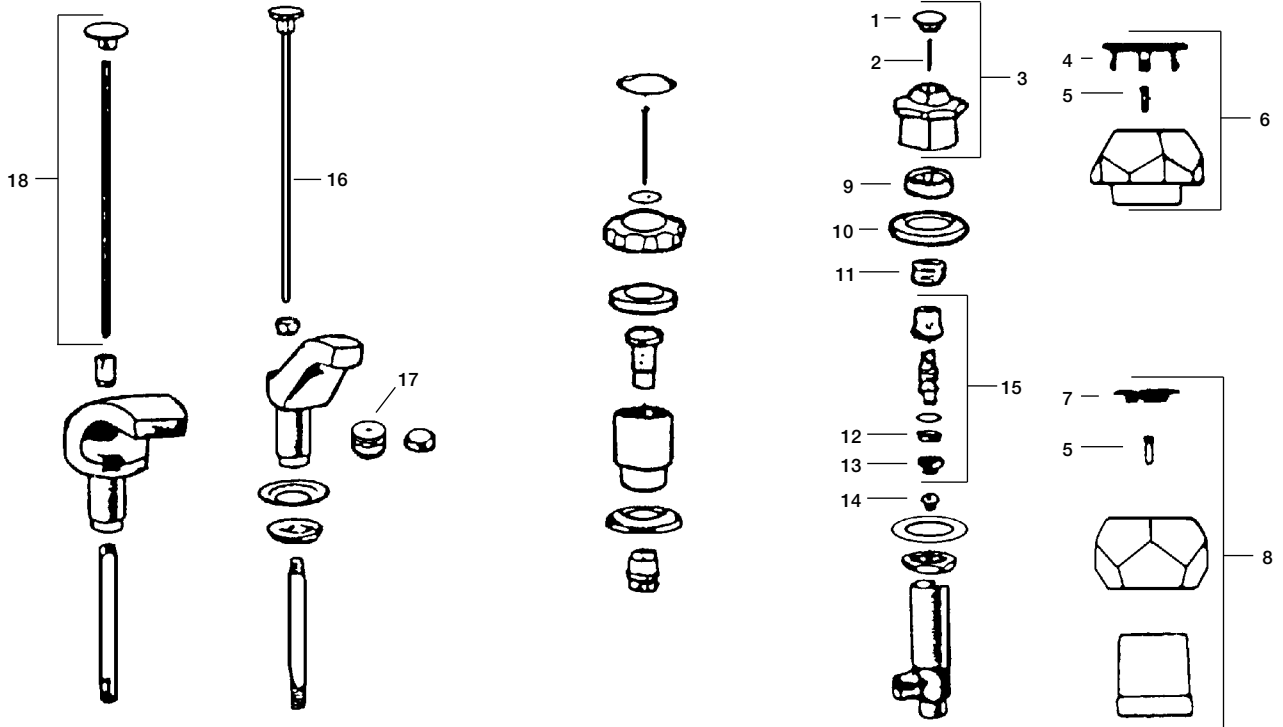
Item No.	Stock No.	OEM Ref No.	Description
1	26617B	1234-22	Index Button <i>Hot</i>
	26618B	1234-22	Index Button <i>Cold</i>
2	35646B	1130-17	Handle Screw
3	—	6459-023	Hot Handle
	—	6459-021	Cold Handle
	88080	—	(1) Pair Handles <i>Hot & Cold (carded)</i>
4	—	855-17	Locknut
5	35724B	—	Stem O-Ring <i>Old Style</i>
	75055B	—	Stem O-Ring <i>New Style</i>
6	36565B	72940-07	Stem Diaphragm
7	15729E	72991-17	Stem with Bonnet R.H. Hot
	15731E	—	Stem with Bonnet & Locknut R.H. Hot
9	30019E	862-14	Bibb Seat <i>Brass</i>
10	10483	56135-02	15/16 M Aerator
11	—	24220-70A	Faucet Shank Nut

Stock No.	OEM Ref No.	Description
124102	—	Stem Repair Kit
	<i>Contains:</i>	(1) 36565 Special Washer (1) 30019 Seat (1) 35724 O-Ring (1) 35755 O-Ring (2) 35742 O-Ring

AMERICAN STANDARD

HERITAGE® and MONOGRAM WIDE-SPREAD LAVATORY FAUCET

Series N-2101, N-2111, N-2141



Item No.	Stock No.	OEM Ref No.	Description
1	26617B	1234-22	Index Button <i>Hot</i>
	26618B	1234-22	Index Button <i>Cold</i>
2	—	1130-17	Handle Screw
3	46495	—	(1) Handle with Hot, Cold & Diverter Index Buttons
	88080	—	(1) Pair Handles, Hot & Cold (<i>carded</i>)
4	—	66330-0070A	Index Button <i>Hot</i>
	—	66330-0070A	Index Button <i>Cold</i>
5	35654B	10030.17	Handle Screw
6	—	6318.02	(1) Pair Metal Handles <i>Hot & Cold</i>
7	—	66328-0020A	Index Buttons <i>Hot, Cold & Diverter</i>
8	—	6321.02	(1) Pair Crystal Handles <i>Hot & Cold</i>
9	—	800-34	Escutcheon Holder
10	—	679-32	Escutcheon
11	—	855-17	Locknut
12	35742B	246-37	O-Ring
13	36565B	72940-07	Diaphragm
14	30019E	862-14	Bibb Seat <i>Brass</i>
15	15729E	72950-17	Stem R.H. Hot & Cold
16	—	5423-03	Rod & Knob Assembly
17	10483	56135-02	15/16M Aerator
18	—	70661-02	Rod & Knob Assembly

Stock No.	OEM Ref No.	Description
124102	—	Stem Repair Kit
		<i>Contains:</i>
		(1) 30019 Brass Bibb Seat
		(1) 35724 Stem O-Ring <i>Old Style</i>
		(2) 35742 Stem O-Rings
		(1) 35755 O-Ring
		(1) 36565 Diaphragm

HERITAGE is a registered Trademark of American Standard Plumbing & Heating Division

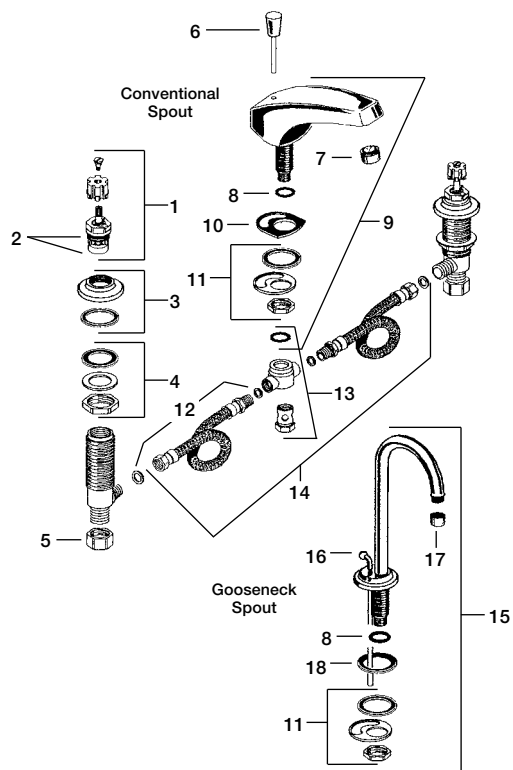
REPAIRS FOR

AMERICAN STANDARD

HERITAGE® AMARILIS WIDE-SPREAD LAVATORY FAUCET

Series 4800, 4801, 4802, 7092, 7830, 7831

Item No.	Stock No.	OEM Ref No.	Description
1	17484E	28610-0070A	Cartridge
2	—	30741-0070A	Cartridge Seal Kit
3	—	30257-0020A	Escutcheon Kit
4	—	30258-0070A	Valve Mounting Kit
5	—	24220-0070A	Supply Nut
6	—	28617-0020A	Pop-Up Rod for Conventional Spout
7	10483	66070-0020A	15/16M Premium Aerator for Conventional Spout
8	—	912771-0070A	Spout O-Ring
9	—	12684-0020A	Conventional Spout Kit (less Drain)
	—	12683-0020A	Conventional Spout Kit (with Drain)
10	—	28757-0070A	Spout Gasket for Conventional Spout
11	—	30256-0070A	Spout Mounting Kit
12	—	33759-0070A	Hose Seal Kit
13	—	33757-0070A	Tee Mounting Kit
14	—	33758-0070A	Tee & Hose Kit
15	—	12124-0020A	Gooseneck Spout (less Pop-Up Rod)
	—	12128-0020A	Gooseneck Spout (with Pop-Up Rod)
16	—	12086-0020A	Pop-Up Rod for Gooseneck Spout
17	—	66108-0020A	15/16F Premium Aerator for Gooseneck
18	—	12669-0070A	Spout Gasket for Gooseneck Spout



HERITAGE is a registered Trademark of American Standard Plumbing & Heating Division

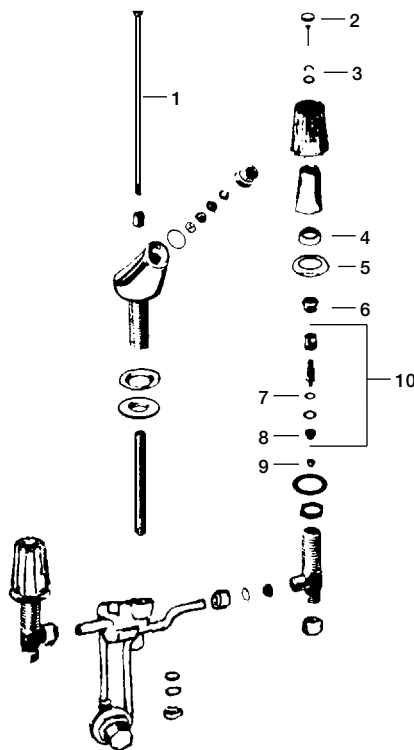
REPAIRS FOR

AMERICAN STANDARD

ULTRA FONT WIDE-SPREAD LAVATORY FAUCET

Series 2240.018

Item No.	Stock No.	OEM Ref No.	Description
1	—	70662-02	Pop-Up Rod Single Lever
2	25703B	55906-02	Button Hot
	25704B	55906-02	Button Cold
3	36821W	94-27	Washer (20 per Pak)
4	—	800-34	Escutcheon Holder
5	—	679-32	Escutcheon
6	17718	855-17	Locknut
7	35742B	246-37	O-Ring
8	36565B	72940-17	Diaphragm
9	30019B	862-14	Seat Brass
	30220	862-14	Seat Stainless Steel
10	15729B	72950-17	Stem R.H. Hot & Cold



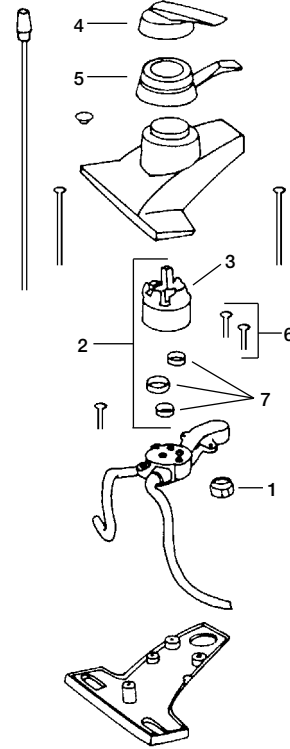
Stock No.	OEM Ref No.	Description
124102	—	Stem Repair Kit
	Contains:	(1) 30019 Brass Bibb Seat (1) 35724 Stem O-Ring Old Style (2) 35742 Stem O-Rings (1) 35755 O-Ring (1) 36565 Diaphragm

REPAIRS FOR

AMERICAN STANDARD

AQUARIAN LAVATORY FAUCET

Series 2179, 2379



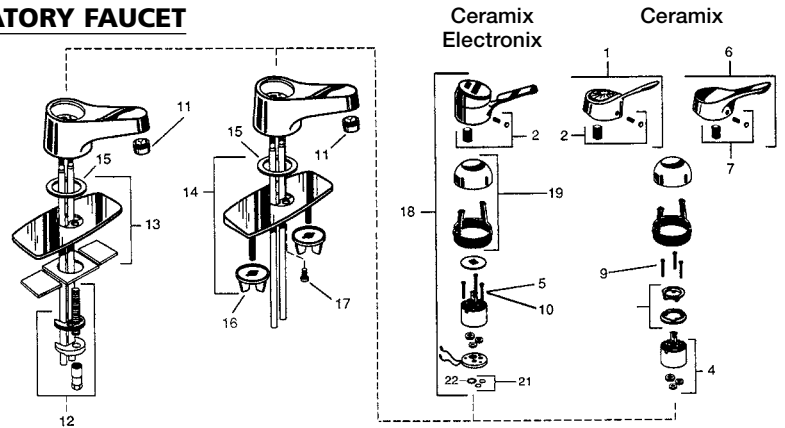
Item No.	Stock No.	OEM Ref No.	Description
1	36148B 36087B 36071B	56135-02 56135-02 56135-02	15/16M Aerator 15/16M Premium Aerator 15/16M Aerator
2	30592 80716	57864-07 —	Cartridge with Seals Cartridge with Seals (carded)
3	30631	70462-07	Plastic Cap
4	30499	70545	Handle
5	30605 16408	77033-02 77033-02	Handle Handle (carded)
6	—	57613-07	Cartridge Screws 2 Required
7	80720	—	Cartridge Seal Set (carded)

REPAIRS FOR

AMERICAN STANDARD

CERAMIX & CERAMIX ELECTRONIX LAVATORY FAUCET

Models 2000.100, 2000.101, 2001.101



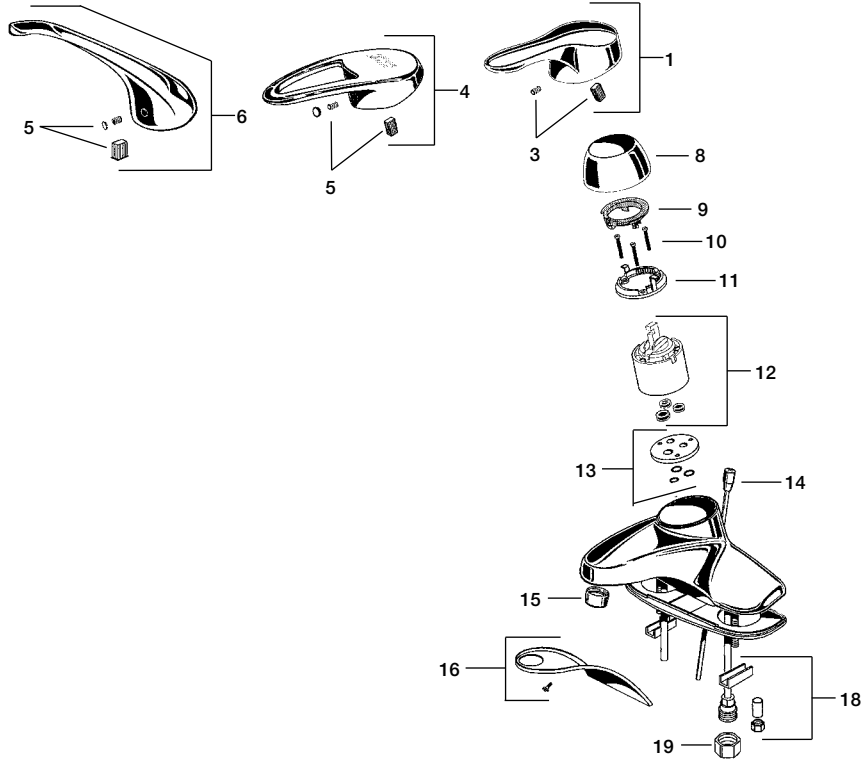
Item No.	Stock No.	OEM Ref No.	Description
1	—	023521-0020A	Starburst Handle
2	—	020746-0020A	Button & Screw Set (For Electronix and Starburst Handle only)
4	— 18826B	023529-0070A	Cartridge Cartridge (carded)
5	—	023527-0070A	Cartridge Screw 1-1/2" Long
6	—	077124-0020A	All Metal Handle
7	—	030746-0020A	All Metal Handle Index Set
8	—	023593-0070A	Hot Limit Stop
9	—	023603-0070A	Cartridge Screw 1-5/8" Long (for use with Hot Limit Stop only)
10	—	023638-0070A	Cartridge Screws 1-3/4" Long
11	—	012646-0020A	Aerator

Item No.	Stock No.	OEM Ref No.	Description
12	—	030511-0070A	Single Hole Mounting Kit
13	—	030744-0020A	Escutcheon Kit
14	—	030569-0020A	Escutcheon Kit Type "R"
15	—	023537-0070A	Rubber Ring
16	—	044912-0070A	Mounting Nuts
17	—	030225-0070A	Attachment Screw
18	—	023650-0020A	Handle Assembly Note: Assembly is calibrated and must be replaced as a unit
19	—	030241-0020A	Escutcheon Cap with Retainer
21	35724B	7	Small Cartridge O-Ring 2 Required
22	35730B	13	Large Cartridge O-Ring

AMERICAN STANDARD

RELIANT+™ LAVATORY FAUCET

Series 2385



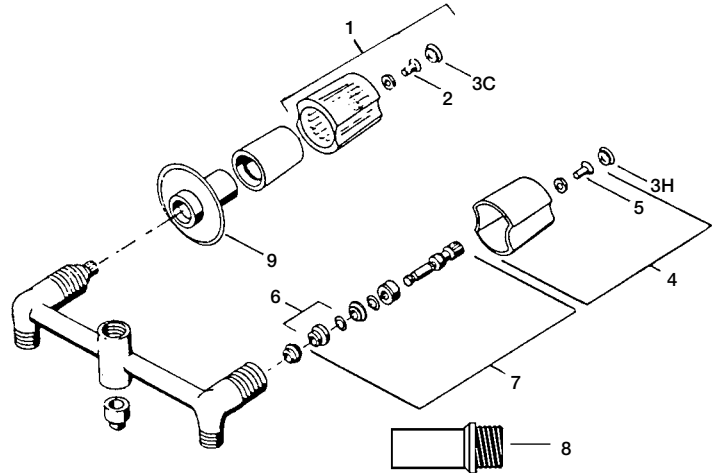
Item No.	Stock No.	OEM Ref No.	Description
1	—	078524-0020A	Handle
	—	051131-0020A	Handle with "H" and "C"
3	—	030746-0020A	Handle Screw Kit
4	—	051315-0200A	Loop Handle
5	—	030126-0070A	Handle Index Kit (Long Lever & Loop)
6	—	060466-0020A	Long Lever Handle
8	—	907468-0020A	Cap
9	—	922916-0070A	Hot Limit Stop
10	—	023638-0070A	Cartridge Screws (set of 3)
11	—	923301-0070A	Cap Retainer
12	18826B	023529-0070A	Cartridge (<i>carded</i>)
13	—	078539-0070A	Disk with Seals
14	—	060233-0020A	Pop-Up Rod
15	10841	012577-0020A	15/16F Aerator
16	—	078526-0020A	Underbody and Screw
17	—	911952-0070A	Putty Plate
18	—	078525-0070A	Mounting Kit
19	—	024220-0070A	Supply Nut Brass

RELIANT+ is a registered Trademark of American Standard Plumbing & Heating Division

REPAIRS FOR

AMERICAN STANDARD

CADET TWO-HANDLE SHOWER VALVE



Item No.	Stock No.	OEM Ref No.	Description
1	20443	—	(1) Pair Lucite Handles
2	—	13276.07	Handle Screw (for Lucite Handle)
3H	—	68498-0070A	Index Button Hot (5 per Pak)
3C	—	68498-0070A	Index Button Cold (5 per Pak)
4	—	13287.02	(1) Pair Metal Handles (Complete)
5	35646B	1263.07	Handle Screw (for Metal Handle)
6	80413	44293.07	Diaphragm Kit (Contains 2 ea. of Diaphragm & Swivel)
7	17423E	44261.07	Stem R.H. Hot & Cold
8	—	13274.04	Seat
9	—	1327-0020A	Escutcheon

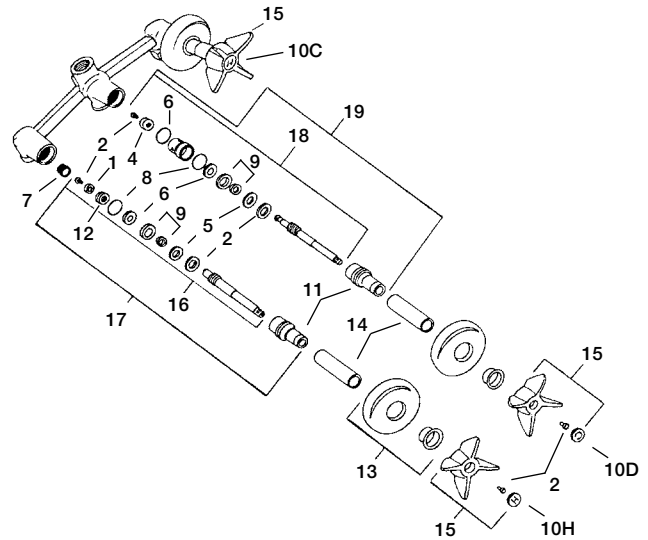
REPAIRS FOR

AMERICAN STANDARD

COLONY BATH FIXTURE

Series Long Pattern

Item No.	Stock No.	OEM Ref No.	Description
1	35063B	858-17	0 Flat Bibb Washer
2	35141B	759-27	Bibb & Handle Screw
3	35312B	72824-07	Top Bibb Gasket
4	—	72840-07	Diverter Washer (10 per Pak)
5	—	64704-07	Top Bibb Wave Washer
6	35754B	59225-07	O-Ring
7	30043E	57281-07	Bibb Seat Brass
8	35369B	72852-07	Top Bibb Ring
9	35228B	72102-07	Bonnet Packing
10H	25703B	55906-02	Index Button Hot
10C	25704B	55906-02	Index Button Cold
10D	25705B	55906-02	Index Button Diverter
11	—	—	Bonnet
12	—	72801-07	Washer Retainer
13	34506 80887	72357-06 72357-06	Escutcheon Escutcheon Set
14	—	72826-02	Sleeve
15	—	72802-02	(1) Pair Handles (4 prong)
	—	72802-02	Diverter Handle (4 prong)
	88432	—	(1) Pair Handles (3 prong)
	88508	—	Diverter Handle (3 prong)
16	—	577	Stem R.H. Hot & Cold
17	15704B	577WB	Stem with Bonnet R.H. Hot & Cold
18	—	579	Diverter Stem
19	15706B	72856-07	Diverter Stem with Bonnet

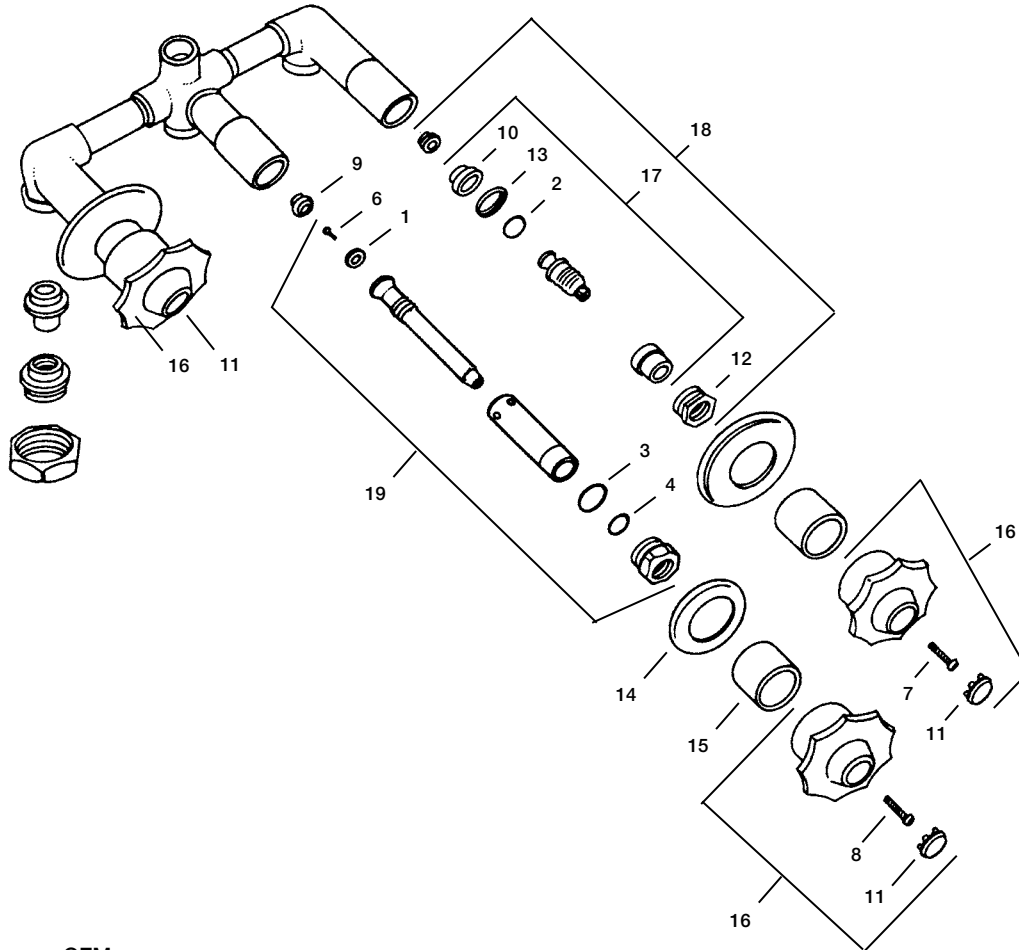


Stock No.	OEM Ref No.	Description
124104	—	Stem Repair Kit
	Contains:	(1) 35063 Washer
		(1) 35141 Bibb Screw
		(1) 30043 Seat
		(1) 35312 Brass Washer
		(2) 35360 Brass Washers
		(1) 35754 O-Ring
		(1) 35228 Packing
		(1) 35696 Diverter Washer
		(1) 35369 Top Bibb Ring

AMERICAN STANDARD

HERITAGE® BATH FIXTURE

Series 1310



Item No.	Stock No.	OEM Ref No.	Description
1	35063B	85847	Flat Bibb Washer
2	35742B 75055B	246-17 246-17	Stem O-Ring <i>Old Style</i> Stem O-Ring <i>New Style</i>
3	35726B	9	Cap Thread Gasket
4	35729B	886-17	Bonnet O-Ring
5	30019E	862-17	Brass Bibb Seat
6	—	759-27	Monel Bibb Screw
7	35646B	1613-07	Handle Screw (<i>Hot & Cold</i>)
8	—	—	Handle Screw (<i>Diverter</i>)
9	30053E	1848-07	Brass Bibb Seat
10	36565B	72960-07	Stem Diaphragm
11	26617B 26618B 26619B	1234-22 1234-22 1234-22	Index Button <i>Hot</i> Index Button <i>Cold</i> Index Button <i>Diverter</i>
12	—	600LN	Locknut (<i>Hot & Cold</i>)
13	—	600SR	Stop Ring
14	—	680-32	Escutcheon
15	—	890-22	Escutcheon Tube
16	20171 88080 — 88079	6459-02 6459-02	(1) Pair Handles (1) Pair Handles (<i>carded</i>) Diverter Handle Diverter Handle (<i>carded</i>)
17	15729E	72950-07	Stem R.H. Hot & Cold
18	15731E	—	Stem with Locknut R.H. Hot & Cold
19	15822B	—	Diverter Stem with Bonnet

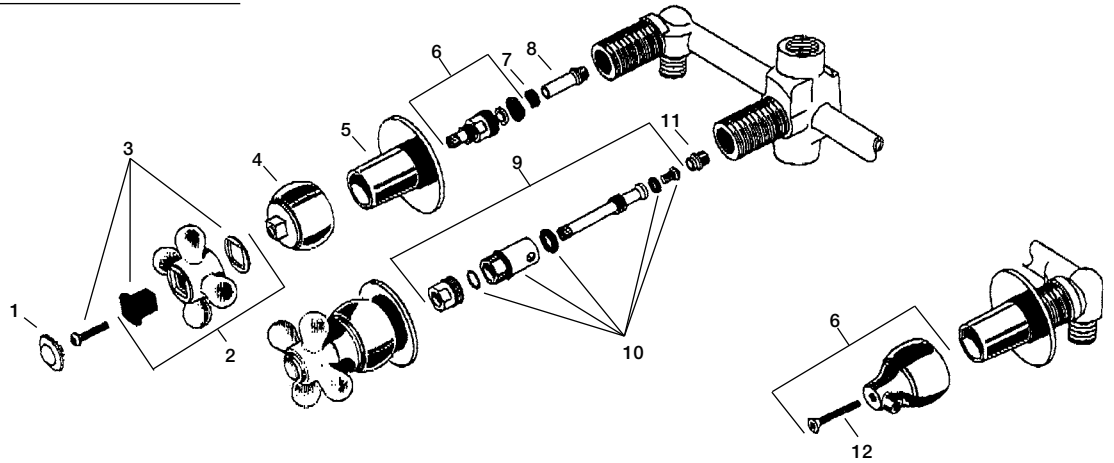
Stock No.	OEM Ref No.	Description
124102	—	Stem Repair Kit
	<i>Contains:</i>	(1) 36565 Special Washer (1) 30019 Seat (1) 35724 O-Ring (1) 35755 O-Ring (2) 35742 O-Ring

REPAIRS FOR

AMERICAN STANDARD

PRESTIGE® TUB & SHOWER FAUCET

Series 1805



Item No.	Stock No.	OEM Ref No.	Description
1	—	42675-0020A	Index Button
2	—	42892-0070A	Cross Handle
3	—	42787-0070A	Cross Handle Mounting Kit
4	—	43308-0020A	Cross Handle Base
5	—	13275-0020A	Escutcheon
6	17423E 08918E	66287-0070A 66288-0070A	Stem with Bonnet R.H. Hot & Cold Stem with Bonnet L.H. Cold
7	36516B	44293-0070A	Diaphragm

Item No.	Stock No.	OEM Ref No.	Description
8	—	13274-0040A	Bibb Seat
9	—	66285-0070A	Diverter Stem Assembly
10	—	66286-0070A	Diverter Stem Repair Kit
11	30145E	44257-0040A	Bibb Seat (10 per Pak)
12	—	43467-0020A	Handle Screw
13	—	42788-0020A	Lever Handle Base

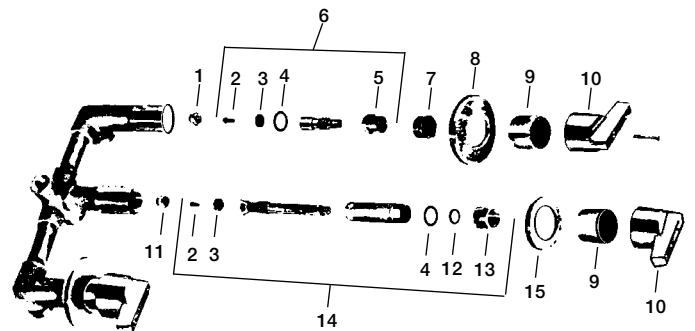
PRESTIGE is a registered Trademark of American Standard Plumbing & Heating Division

REPAIRS FOR

AMERICAN STANDARD

QUALITY TRIM-NU-RE-NU BATH FIXTURE

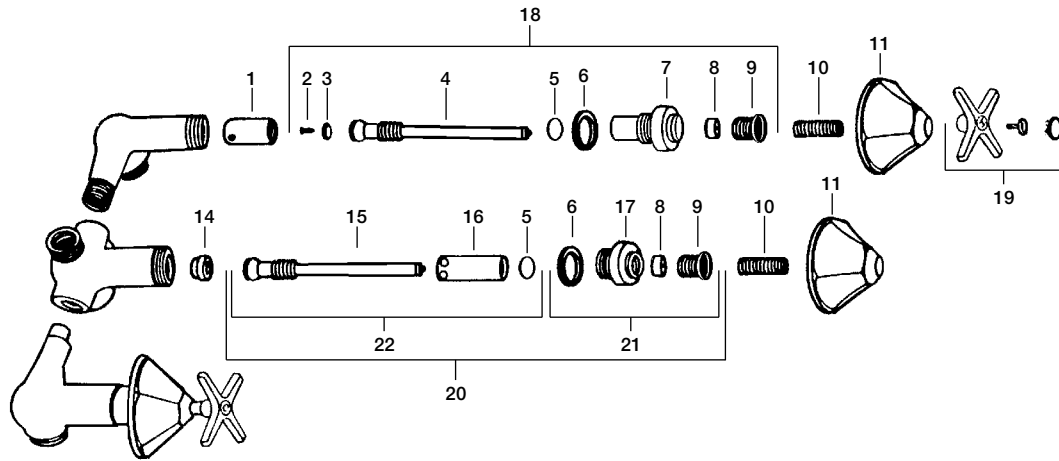
Item No.	Stock No.	OEM Ref No.	Description
1	30019E	862-14	Seat, Brass
2	—	759-27	Seat Screw
3	35063B	858-07	Seat Washer
4	35729B	886-17	O-Ring
5	—	854-17	Stem Nut <i>Right Hand</i>
	—	857-17	Stem Nut <i>Left Hand</i>
6	15744E 15745E	6079-04 —	Stem R.H. Hot Stem L.H. Cold
7	—	855-17	Locknut
8	—	680-32	Escutcheon
9	—	890-32	Escutcheon Holder
10	—	60471-0221	Handle <i>Hot</i>
	—	60471-0221	Handle <i>Cold</i>
	—	—	(1) Pair Handles
11	30019E	1848-07	Diverter Seat <i>Brass</i>
12	35726B	888-17	O-Ring
13	—	877-17	Locknut
14	15822B	25301-08	Diverter Stem
15	—	679-32	Escutcheon



AMERICAN STANDARD

RE-NU BATH FIXTURE

Series Prior to 1941

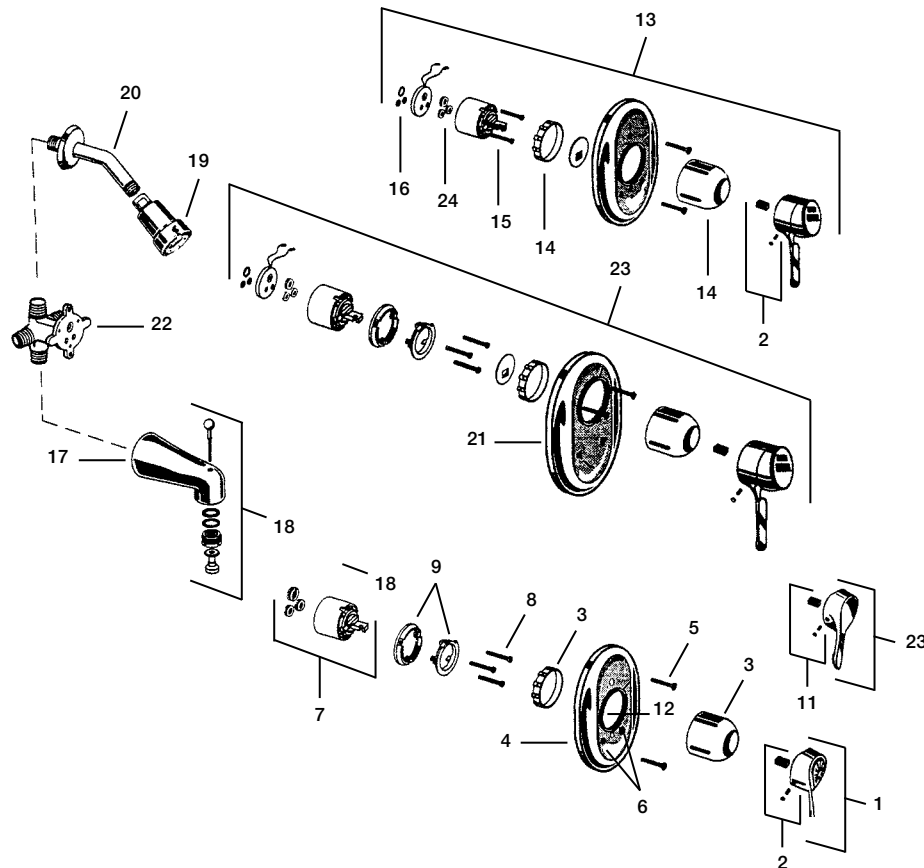


Item No.	Stock No.	OEM Ref No.	Description
1	15027E	20336-08	Barrel R.H. Hot & Cold
2	35153B	159-17	Bibb Screw
3	35063B	442-07	0 Flat Bibb Washer
4	—	31344-04	Stem - R.H. Hot & Cold
5	35347Z	1167-17	Top Bibb Ring
6	35551B	408-17	Cap Thread Gasket
7	—	—	Bonnet <i>Hot & Cold</i>
8	35194B	1311-07	Bonnet Packing
9	—	1184-17	Packing Nut
10	—	—	Escutcheon Nipple
11	—	1259-12	Escutcheon
12	35646B	—	Handle Screw
13	—	—	Index Button <i>Hot</i>
	—	—	Index Button <i>Cold</i>
14	—	20032-08	Bibb Seat <i>Brass (10 per Pak)</i>
15	—	235-701	Diverter Stem Only
16	—	635-701	Sleeve
17	—	735-700	Diverter Bonnet
18	15054B	18293-02	Stem with Bonnet less Barrel R.H. Hot & Cold
19	—	9171-02	(1) Pair Handles
	—	9171-02	Diverter Handle
20	15010B	38	Diverter Stem with Bonnet
21	—	8116-08	Stem Gland

AMERICAN STANDARD

CERAMIX & CERAMIX ELECTRONIX TUB & SHOWER

Models 2000.300, 2000.301, 2000.302, 2001.300, 2001.301, 2001.302



Item No.	Stock No.	OEM Ref No.	Description
1	—	023521-0020A	Starburst Handle
2	—	030746-0020A	Button & Screw Set
3	—	030242-0020A	Escutcheon Cap Set 2-1/4"
4	—	030244-0020A	Escutcheon & Screws
5	—	023562-0020A	Escutcheon Screws 1-5/8" Long
6	—	023753-0070A	Index Set
7	18826B		Cartridge (carded)
8	—	023527-0070A	Cartridge Screws 1-1/2" Long
	—	023603-0020A	Cartridge Screws 1-5/8" Long
	—	023774-0070A	Cartridge Screws 1-7/8" Long
9	—	023593-0070A	Hot Limit Stop
10	—	077124-0020A	All Metal Handle
11	—	030126-0070A	All Metal Handle Index Set
12	—	023752-0070A	Seal Ring
13	—	023651-0020A	Handle Assembly Assembly is Calibrated and Must be Replaced as a Unit
14	—	030246-0020A	Escutcheon Cap Set 2-1/2"
15	—	023638-0070A	Cartridge Screws 1-3/4" Long
16	—	023637-0070A	O-Ring Kit
17	—	023572-0020A	Diverter Tub Spout
18	—	012653-0020A	Diverter Tub Spout Repair Kit
19	—	023559-0020A	Showerhead

Item No.	Stock No.	OEM Ref No.	Description
20	89078	023560-0020A	Shower Arm & Flange
21	—	030247-0020A	Escutcheon & Screws
22	—	023566-0070A	Check Stop Kit
23	—	023783-0020A	Handle Assembly Assembly is Calibrated and Must be Replaced as a Unit
24	86654	023528-0070A	Cartridge Seals

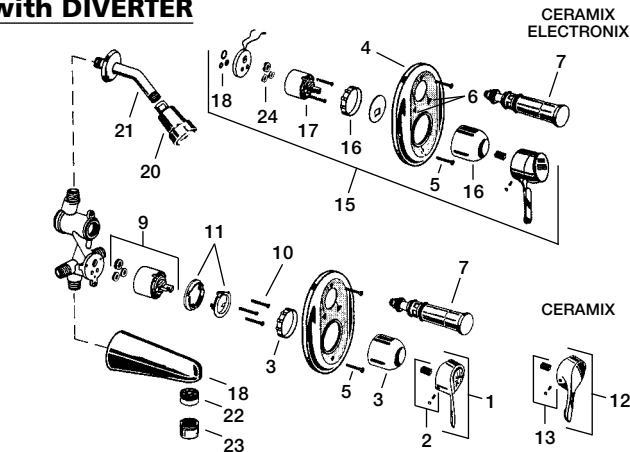
REPAIRS FOR

AMERICAN STANDARD

CERAMIX & CERAMIX ELECTRONIX TUB & SHOWER with DIVERTER

Models 2000.400, 2000.402, 2001.400, 2001.402

Item No.	Stock No.	OEM Ref No.	Description
1	—	023521-0020A	Starburst Handle
2	—	030746-0020A	Button & Screw Set For Electronix and Starburst Handles Only
3	—	030243-0020A	Escutcheon Cap Set 2"
4	—	030245-0020A	Escutcheon and Screws
5	—	023577-0020A	Escutcheon Screw 1" Long
	—	023562-0020A	Escutcheon Screw 1-5/8" Long
6	—	023753-0070A	Index Set
7	—	023756-0020A	Diverter Assembly
8	—	043460-0070A	Diverter Seal Kit
9	18826B		Cartridge (carded)
10	—	023527-0070A	Cartridge Screws 1-1/2" Long
	—	023603-0070A	Cartridge Screws 1-5/8" Long (For Use with Hot Limit Stop Only)
11	—	023593-0070A	Hot Limit Stop
12	—	077124-0020A	All Metal Handle
13	—	030126-0070A	All Metal Handle Index Set
14	—	023752-0070A	Seal Ring
15	—	023651-0020A	Handle Assembly Assembly is Calibrated and Must be Replaced as a Unit
16	—	030242-0020A	Escutcheon Cap Set 2-1/4"



Item No.	Stock No.	OEM Ref No.	Description
17	—	023638-0070A	Cartridge Screws 1-1/4" Long
18	—	023637-0070A	O-Ring Kit
19	—	023574-0020A	5" Tub Spout
20	—	023559-0020A	Showerhead
21	89078	023560-0020A	Shower Arm & Flange
22	—	028678-0070A	Stream Straightener
23	—	042785-0020A	Aerator
24	86654	023528-0070A	Cartridge Seals

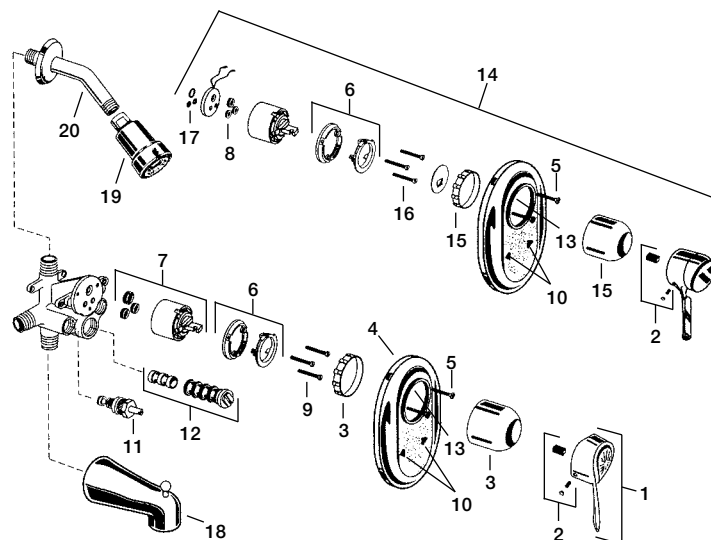
REPAIRS FOR

AMERICAN STANDARD

CERAMIX & CERAMIX ELECTRONIX PRESSURE BALANCING TUB & SHOWER

Models 2000.500, 2000.501, 2000.502, 2001.500, 2001.501, 2001.502

Item No.	Stock No.	OEM Ref No.	Description
1	—	023521-0020A	Ceramix Handle
2	—	030746-0020A	Button & Screw Set
3	—	030242-0020A	Escutcheon Cap Set 2-1/4"
4	—	030247-0020A	Escutcheon and Screws
5	—	023562-0020A	Escutcheon Screws 1-5/8"
6	—	023593-0070A	Hot Limit Stop
7	18826B		Cartridge (carded)
8	86654	023528-0070A	Cartridge Seals
9	—	023603-0070A	Cartridge Screws 1-5/8"
10	—	023753-0070A	Index Set
11	—	023566-0070A	Check Stop Kit
12	—	023567-0070A	Balancing Spool Kit
13	—	023752-0070A	Seal Ring
14	—	023783-YYOYA	Handle Assembly
15	—	030246-YYOYA	Escutcheon Cap Set 2-1/2"
16	—	023774-0070A	Cartridge Screws 1-7/8"
17	—	023637-0070A	O-Ring Kit
18	—	023572-YYOYA	Diverter Tub Spout
19	—	023559-YYOYA	Showerhead
20	—	023560-YYOYA	Shower Arm & Flange

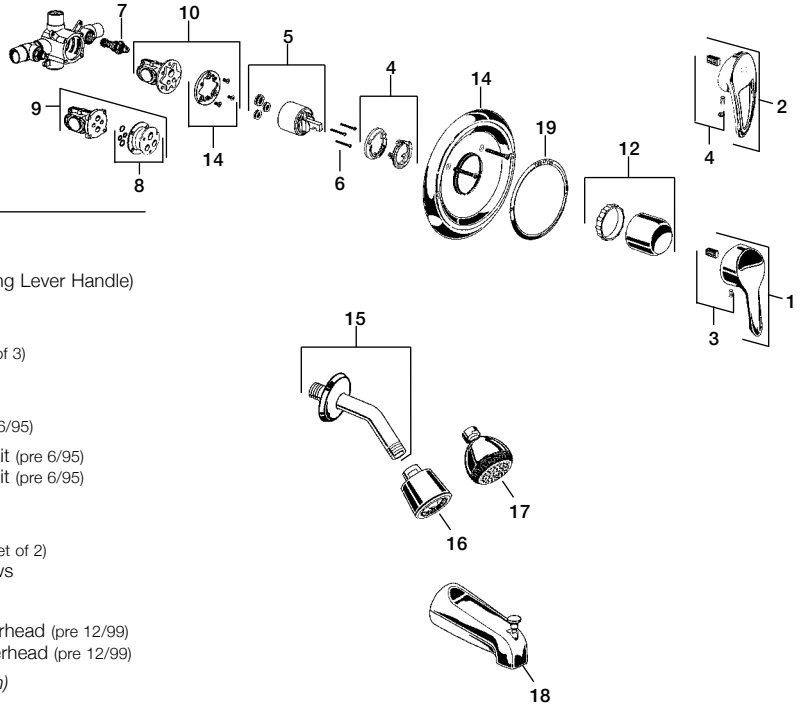


REPAIRS FOR

AMERICAN STANDARD

RELIANT+™ PRESSURE-BALANCING TUB/SHOWER FAUCET

Series 1495



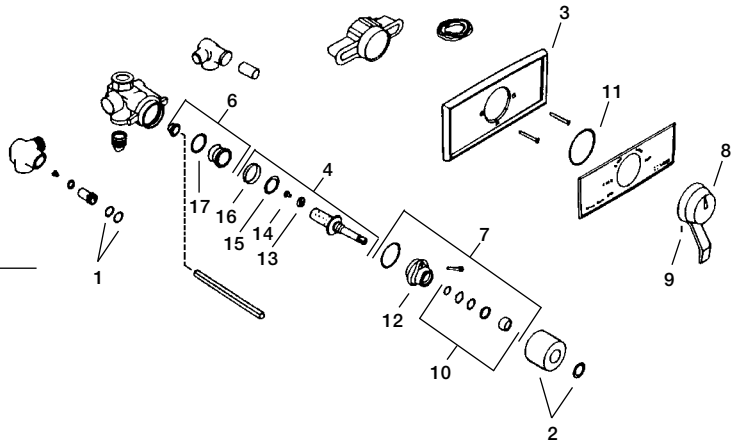
Item No.	Stock No.	OEM Ref No.	Description
1	—	078524-0020A	Handle
2	—	051315-0020A	Loop Handle
3	—	030126-0070A	Button and Screw (Long Lever Handle)
4	—	023593-0070A	Hot Limit Stop
5	18826B	023529-0070A	Cartridge
6	—	023603-0070A	Cartridge Screws (Set of 3)
7	—	051122-0070A	Screwdriver Stops
8	—	078321-0070A	Check Stops
9	—	051015-0070A	Spacer and Seals (pre 6/95)
10	—	077171-0070A	Pressure Balancing Unit (pre 6/95)
11	—	051091-0070A	Pressure Balancing Unit (pre 6/95)
12	—	051207-0070A	Disc and Screws
13	—	030243-0020A	Escutcheon Cap Set
14	—	078016-0020A	Escutcheon Screws (Set of 2)
15	—	078538-0020A	Escutcheon and Screws
16	89078	023560-0020A	Shower Arm & Flange
17	—	010509-0020A	Polished Brass Showerhead (pre 12/99)
18	—	M953530-0020A	Chrome Plated Showerhead (pre 12/99)
19	88434 88052	022650-0020A	Diverter Spout (Slip-On)
		022635-0020A	Diverter Spout (IPS)
	—	060129-0070A	Escutcheon Decal

REPAIRS FOR

AMERICAN STANDARD

200 THERMO-GUARD BATH FIXTURE

Series 1361

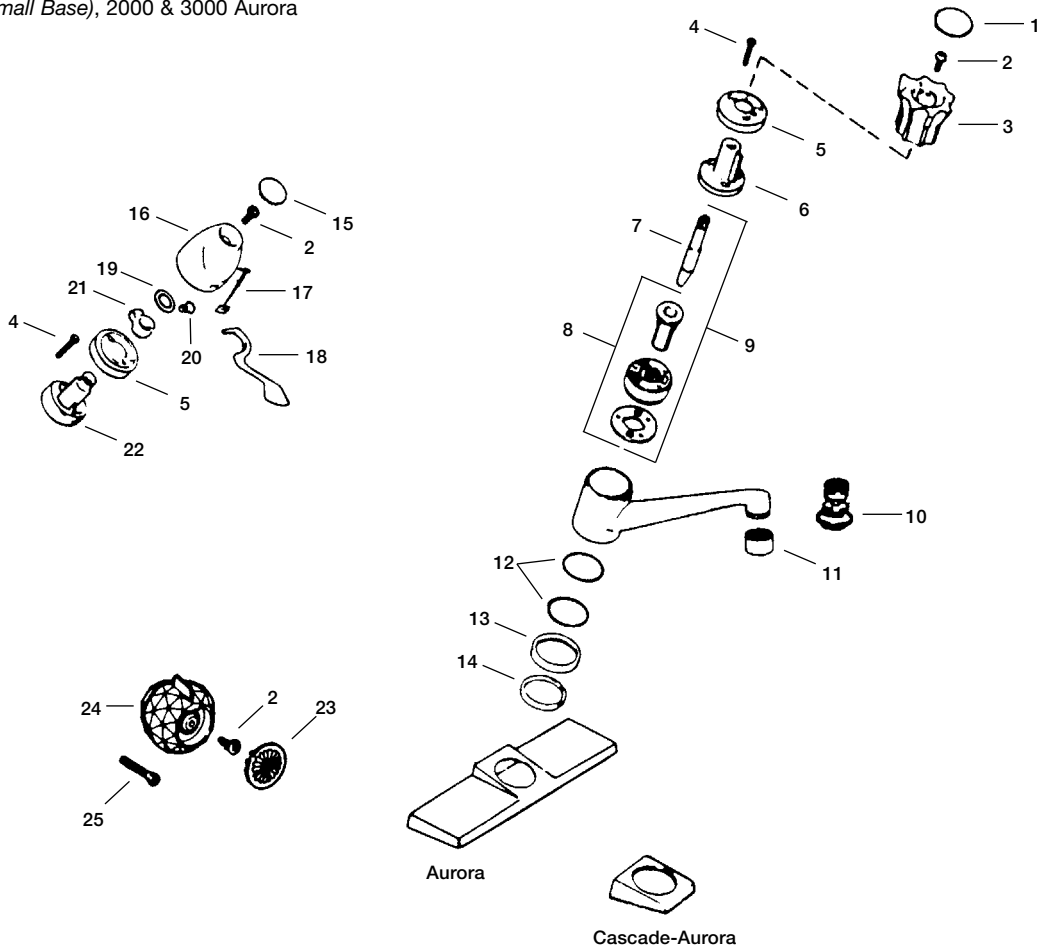


Item No.	Stock No.	OEM Ref No.	Description
1	35726B	9	O-Rings
2	37559	—	Dome Cover & Locknut
3	—	34547-07	Escutcheon Assembly
4	37622	34560-07	TA-10 Cartridge
5	38761	34555-07	Hot & Cold Removal Tool
6	—	34558-07	Seat Kit
7	—	34561-07	Cap Kit
8	—	70613-07	Handle Assembly
9	—	69427-09	Set Screw
10	—	—	Packing, O-Ring & Washer Kit
11	—	34548-07	Escutcheon O-Ring
12	—	34536-07	Cap Gasket
13	—	—	Washer
14	—	34534-97	Bibb Screw
15	—	—	Washer
16	—	34535-07	Washer Retainer
17	35747B	34533-07	O-Ring

BRADLEY-COLE

KITCHEN FAUCET

Series 1000 Cascade (Small Base), 2000 & 3000 Aurora

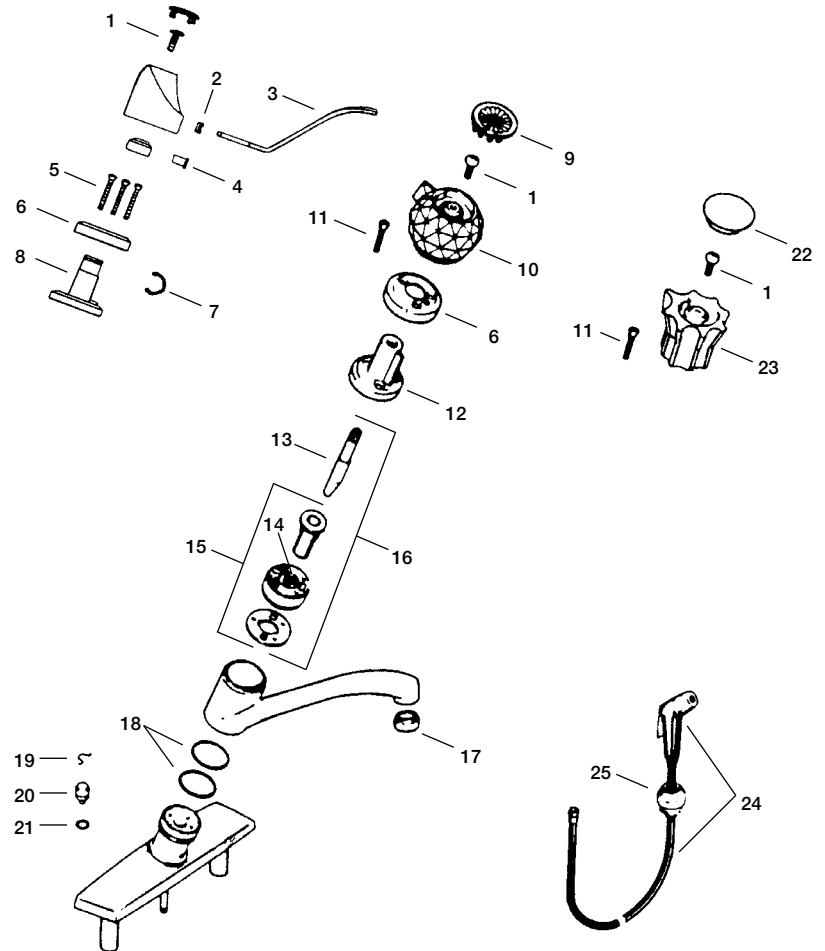


Item No.	Stock No.	OEM Ref No.	Description
1	—	300-133	Handle Button (Use 400-136)
2	35646B	300-305	Handle Screw
3	—	300-300	Clear Knob Handle (Use 300-144)
4	—	300-011	Cam Bearing Screws 3 Required
5	—	300-307	Cam Bearing Cover
6	—	300-306	Cam Bearing
7	—	1035	Cam
8	—	300-760	Cartridge Assembly
9	30704 80461	300-050	Cartridge Kit with Cam Cartridge Kit with Cam (carded)
10	10501	302-199	15/16 Dual Sprayator
11	— 10476	—	15/16 Dual Aerator 15/16 Dual Aerator
12	35764B	300-315	Spout O-Ring
13	—	300-698	Retaining Ring
14	—	300-697	Snap Ring
15	—	300-519	Handle Button (300-043)
16	—	300-052	Knob (300-984)
17	—	300-042	Grommet
18	—	300-040B	Lever - Kitchen
19	—	300-047	Snap Ring
20	—	300-046	Bushing
21	—	300-044	Collar
22	—	300-793	Cam Bearing (300-045)
23	—	400-136	Handle Button (600-101) <i>Chrome</i>
24	88423	300-144	Handle (600-102)
25	—	300-312	Cam Bearing Screws 3 Required

BRADLEY-COLE

KITCHEN FAUCET

Series 4000, 401 to 403 Sceptre (*Knob Handle*), 401L to 429L Sceptre (*Lever Handle*), 1000 Cascade A-2020 thru 2295 Sink (*Knob Handle*), 2020L to 2035L Sink (*Lever Handle*)

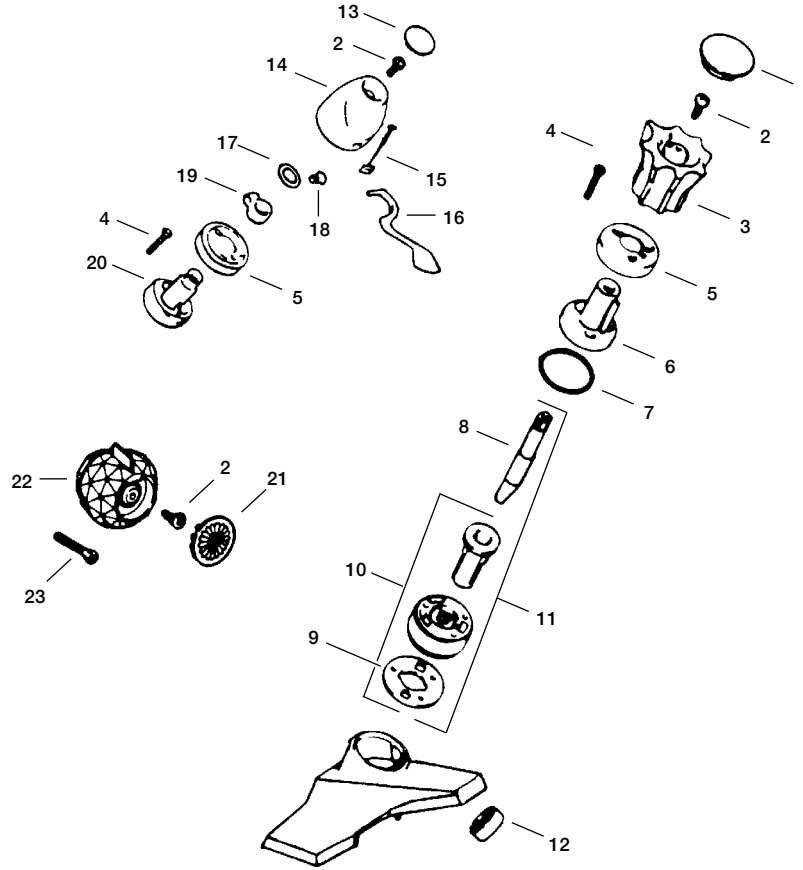


Item No.	Stock No.	OEM Ref No.	Description
1	35646B	300-305	#45 Handle Screw
2	—	300-042	Grommet
3	—	300-040B	Lever
4	—	300-046	Bushing
5	—	300-011	Screws 3 Required
6	—	300-307	Cam Bearing Cover
7	—	300-047	Snap Ring
8	—	300-793	Cam Bearing (300-045)
9	—	400-136	Handle Button (600-101) <i>Chrome</i>
10	88423	300-144	Handle (600-102)
11	—	300-312	Cam Bearing Screws 3 Required
12	—	300-306	Cam Bearing
13	—	1035	Cam
14	—	1014	Gasket
15	—	300-760	Cartridge Assembly
16	30704 80461	300-050	Cartridge Kit with Cam Cartridge Kit with Cam (<i>carded</i>)
17	10476	300-225	15/16 Dual Aerator
18	35764B	300-315	Spout O-Ring
19	—	300-323	Wire Clip
20	—	300-316	Spray Diverter
21	35742B	300-399	O-Rings
22	—	300-133	Handle Button (Use 400-136)
23	—	300-300	Clear Knob Handle (Use 300-144)
24	80762	302-200	Spray Hose & Head Assembly <i>Black</i>
25	86948	—	Spray Hose Guide <i>Chrome</i>

BRADLEY-COLE

LAVATORY FAUCET

Series 1010, 1130, 1410, 601 to 603, 4000 Sceptre, 2000 & 3000 Aurora, 1000 Cascade



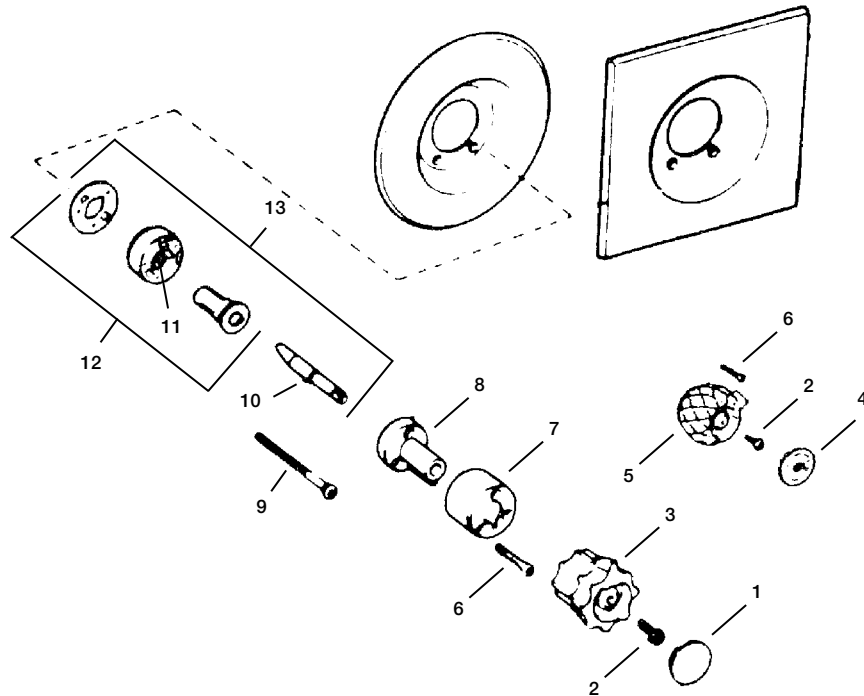
Item No.	Stock No.	OEM Ref No.	Description
1	—	300-133	Handle Button (300-304)
2	35646B	300-305	Handle Screw
3	—	300-300	Clear Knob Handle (Use 300-144)
4	—	300-011	Screws 3 Required
5	—	300-307	Cam Bearing Cover
6	—	300-060	Cam Bearing for Knob Handle
7	35764B	300-315	Spout O-Ring for Aurora Series 2000 & 3000
8	—	I035	Cam
9	—	I014	Gasket
10	—	300-760	Cartridge Assembly
11	30704 80461	300-050	Cartridge Kit with Cam Cartridge Kit with Cam (carded)
12	10476	300-225	15/16 Dual Aerator
13	—	300-519	Plug Button (300-043) <i>Chrome Plated</i>
14	—	300-052	Knob (300-984)
15	—	300-042	Grommet
16	—	300-040A	Lever - Lavatory
17	—	300-047	Snap Ring
18	—	300-046	Bushing
19	—	300-044	Collar (Use 400-136)
20	—	300-793	Cam Bearing (300-045)
21	—	400-136	Handle Button (600-101) <i>Chrome</i>
22	88423	300-144	Handle (600-102)
23	—	300-312	Cam Bearing Screws 3 Required

Stock No.	OEM Ref No.	Description
30694		Faucet Repair Kit
		<i>Contains:</i>
		(1) 30704 Cartridge Kit
		(1) 30708 Cam Bearing
		(1) 30709 Cam Bearing Cover

BRADLEY-COLE

BATH FIXTURES

Series 2000 & 3000 Aurora, 1000 Cascade, 4000 Sceptre, 600D Sceptre II



Item No.	Stock No.	OEM Ref No.	Description
1	—	300-133	Handle Button (300-304)
2	35646B	300-305	Handle Screw
3	—	300-300	Clear Handle
4	—	400-136	Chrome Plated Button (600-010)
5	88423	300-144	Handle (600-102)
6	—	300-312	Cam Bearing Screw 3 Required
7	—	300-877	Cam Bearing Cover
		300-307	Cam Bearing Cover
8	—	300-306	Cam Bearing
		—	Cam Bearing (carded)
9	—	1087	Screw
10	—	1035	Cam
11	—	1014	Cartridge Seal Gasket
12	—	300-760	Cartridge Assembly
13	30704 80461	300-050	Cartridge Kit with Cam Cartridge Kit with Cam (carded)

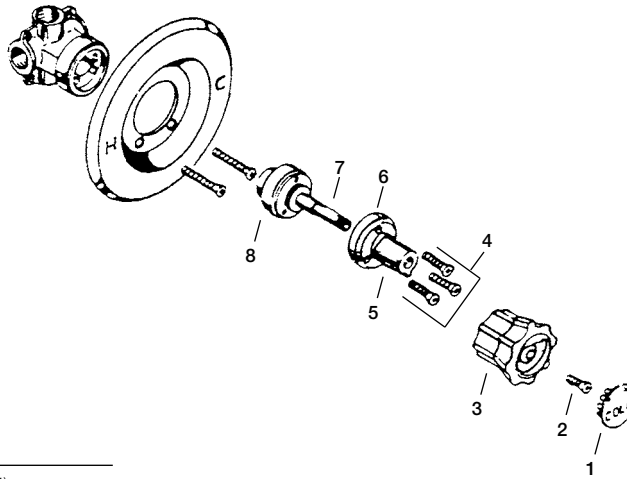
Stock No.	OEM Ref No.	Description
30694		Faucet Repair Kit
<i>Contains:</i>		
		(1) 30704 Cartridge Kit
		(1) 30708 Cam Bearing
		(1) 30709 Cam Bearing Cover

REPAIRS FOR

BRADLEY-COLE

TUB & SHOWER FIXTURE

Series 3000 to 3100, 501 to 505 Sceptre



Item No.	Stock No.	OEM Ref No.	Description
1	—	300-133	Handle Button (300-304)
2	35646B	300-305	Handle Screw
3	—	300-300	Clear Handle
4	—	300-312	Cam Bearing Screw 3 Required
5	—	300-306	Cam Bearing Cam Bearing (<i>carded</i>)
6	—	300-307	Cam Bearing Cover
7	30704 80461	300-050	Cartridge Kit with Cam Cartridge Kit with Cam (<i>carded</i>)
8	—	300-760	Cartridge Assembly

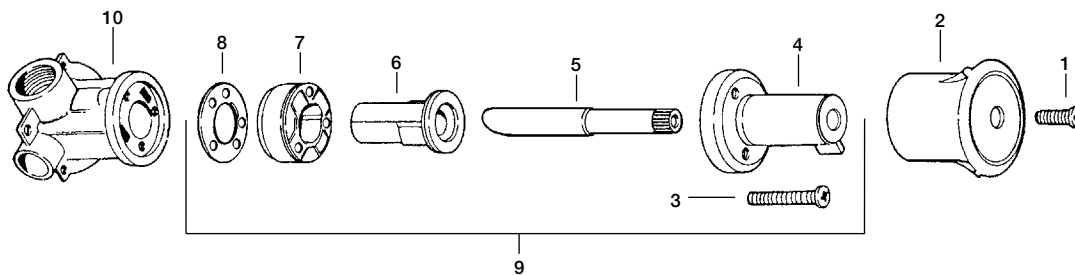
Stock No.	OEM Ref No.	Description
30694		Faucet Repair Kit
		<i>Contains:</i>
		(1) 30704 Cartridge Kit
		(1) 30708 Cam Bearing
		(1) 30709 Cam Bearing Cover

REPAIRS FOR

BRADLEY

BRADTROL VALVES

Econo-Wall, Wall Saver & Panelon Showers



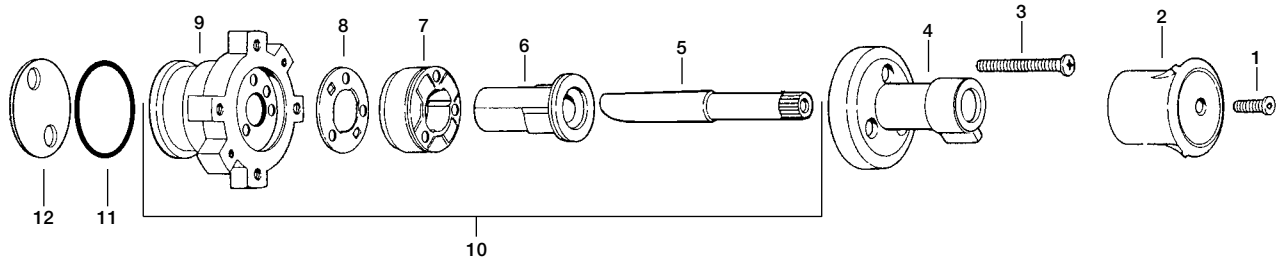
Item No.	Stock No.	OEM Ref No.	Description
1	—	160-225	Handle Screw
2	—	128-032	Handle
3	—	300-312	Cam Bearing Screws (3 Required)
4	—	300-306	Cam Bearing Cam Bearing (<i>carded</i>)
5	—	120-020A	Cam
6	—	300-0935	Sleeve & Insert
7	—	300-0601	Cartridge
8	—	300-0602	Gasket
9	30704 80461	300-050	Cartridge Kit with Cam Cartridge Kit with Cam (<i>carded</i>)
10	—	—	Valve Body

REPAIRS FOR

BRADLEY

BRADTROL VALVES

Column Showers



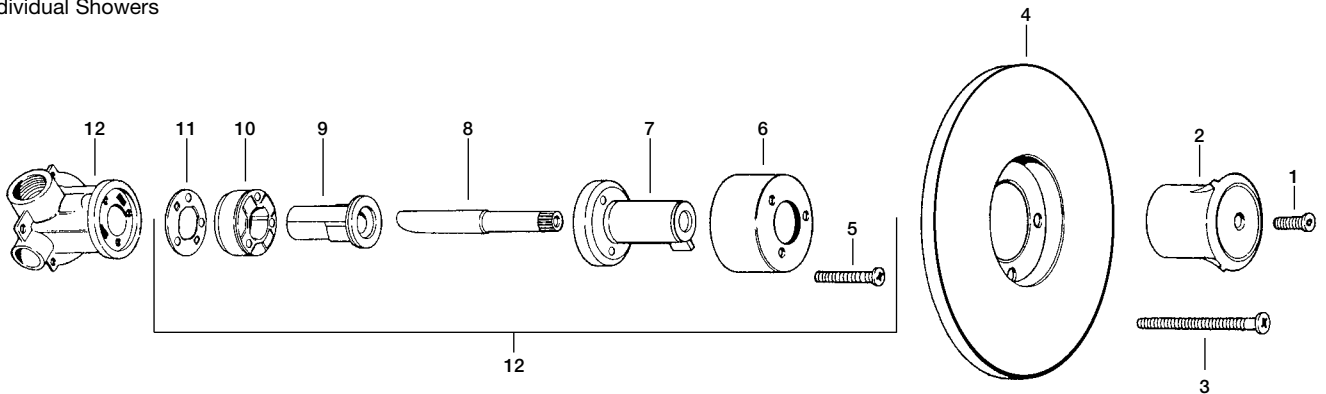
Item No.	Stock No.	OEM Ref No.	Description	Item No.	Stock No.	OEM Ref No.	Description
1	—	160-225	Handle Screw	12	—	125-001BS	Gasket
2	—	128-032	Handle	—	—	150-061	Escutcheon, 6 Person Shower <i>Not Illustrated</i>
3	—	300-312	Cam Bearing Screw (3 Required)	—	—	150-062	Escutcheon, 2-5 Person Shower <i>Not Illustrated</i>
4	—	300-306	Cam Bearing Cam Bearing (<i>carded</i>)	—	—	160-176	Upper Escutcheon Screw <i>Not Illustrated</i>
5	—	121-020	Cam	—	—	160-177	Lower Escutcheon Screw <i>Not Illustrated</i>
6	—	300-0935	Sleeve & Insert	—	—	S65-055	Complete Replacement Valve, 2-5 Person
7	—	300-0601	Cartridge	—	—	S65-055A	Complete Replacement Valve, 6 Person
8	—	300-0602	Gasket	—	—	300-0760	Cartridge Assembly
9	—	118-094	Adapter				
10	30704 80461	S21-023	Cartridge Kit with Cam Cartridge Kit with Cam (<i>carded</i>)				
11	—	169-269	Gasket				

REPAIRS FOR

BRADLEY

BRADTROL VALVES

Individual Showers



Item No.	Stock No.	OEM Ref No.	Description	Item No.	Stock No.	OEM Ref No.	Description
1	—	160-225	Handle Screw	8	—	300-1036	Cam
2	—	128-032	Handle	9	—	300-0935	Sleeve & Insert
3	—	160-290	Screw 2 Required	10	—	300-0601	Cartridge
4	—	300-0379	Escutcheon	11	—	300-0602	Gasket
5	—	300-312	Cam Bearing Screw (3 Required)	12	30704 80461	300-050	Cartridge Kit with Cam Cartridge Kit with Cam (<i>carded</i>)
6	—	300-0877	Cam Bearing Cover	13	—	—	Valve Body
7	—	300-306	Cam Bearing Cam Bearing (<i>carded</i>)				

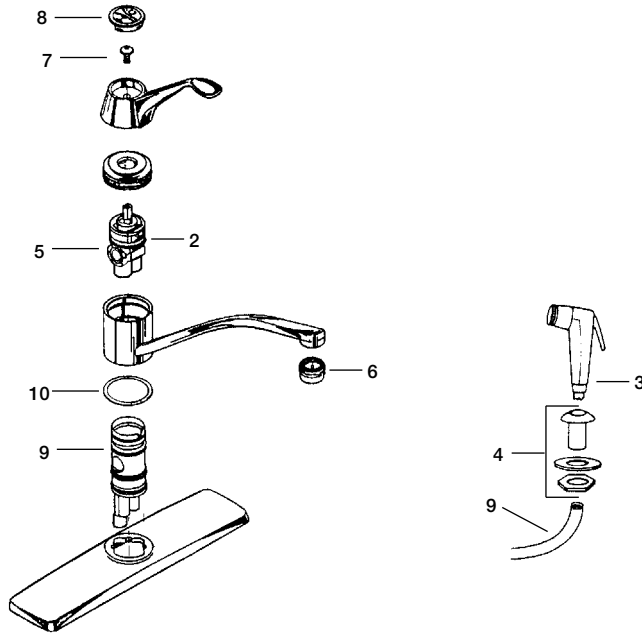
REPAIRS FOR

CAREFREE (MILWAUKEE)

KITCHEN FAUCET

Models 7380, 7381, 87380, 87381
Universal Rundle

Item No.	Stock No.	OEM Ref No.	Description
1	80761	—	48" Spray Hose
2	35716B	—	O-Ring
3	80760	422	Spray Head
4	86948	P3398	Spray Hose Guide
5	80959	8254	Cartridge
6	10483	P7252	15/16M Aerator
7	—	P8275	Handle Screw
8	—	P8276	Handle Button
9	35739B	P8284	O-Ring
10	—	P8285	Washer



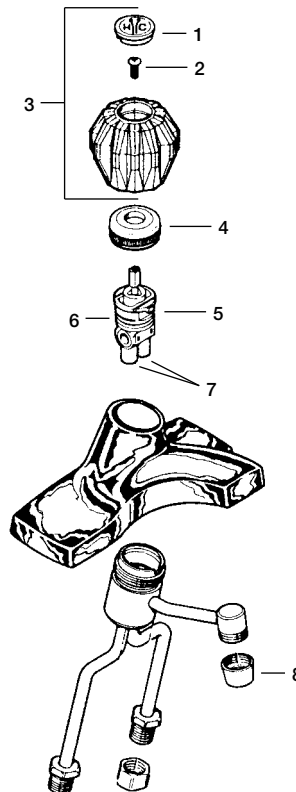
REPAIRS FOR

CAREFREE (MILWAUKEE)

LAVATORY FAUCET

Models
7240, 87240 Chrome Finish
7248, 87248 Antique Bronze Finish
Universal Rundle

Item No.	Stock No.	OEM Ref No.	Description
1	—	P8276	Handle Button
2	—	P8275	Handle Screw
3	31840	P8274	Handle Assembly
4	—	P8572	Cap Nut
5	80959	8254	Cartridge
6	35716B	—	O-Ring
7	35715B	—	O-Ring 2 Required
8	10481	P4500	Aerator



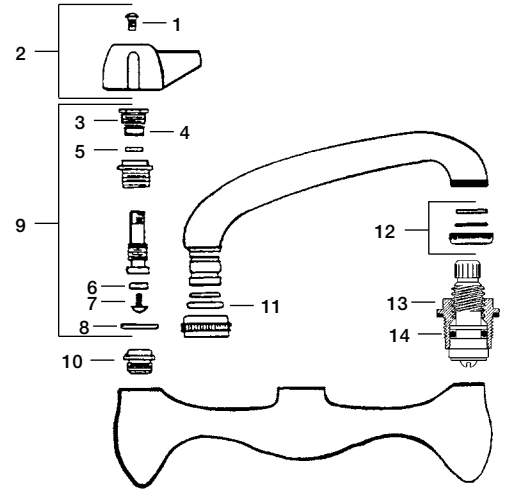
REPAIRS FOR

CENTRAL BRASS

KITCHEN FAUCET

Series 47, 48

Item No.	Stock No.	OEM Ref No.	Description
1	—	107-F	Handle Screw (10 per Pak)
2	80401	523	(1) Pair Handles (carded)
3	17823	353-DH	Packing Nut
4	35235B	353-CW	Bonnet Packing
5	—	193-B	Top Bibb Ring
6	35063B	900-N	Flat Bibb Washer
7	35142B	104	Bibb Screw
8	35564B	1028-Y	Cap Thread Gasket
9	15835E 15836E	SV-353-ER SV-353-EL	Stem w/Bonnet R.H. Hot <i>Old Style</i> Stem w/Bonnet L.H. Cold <i>Old Style</i>
10	30006E	263-BC	Bibb Seat Brass
11	35728B	1038-K	Spout O-Ring
12	10481	100F	15/16F Aerator
13	15083E 15084E	— —	Stem w/Bonnet R.H. Hot <i>New Style</i> Stem w/Bonnet L.H. Cold <i>New Style</i>
14	35725B	8	O-Ring
	—	47-U	Complete Faucet
	—	47-T	Complete Faucet with Adjustable Flange



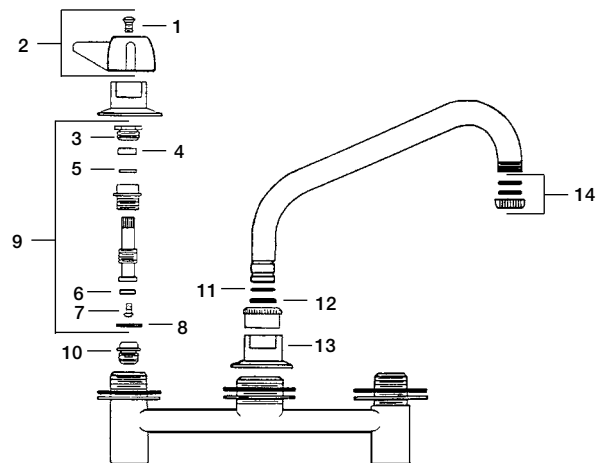
REPAIRS FOR

CENTRAL BRASS

KITCHEN FAUCET

Series 61

Item No.	Stock No.	OEM Ref No.	Description
1	35636B	107-F	Handle Screw
2	80401	523	(1) Pair Handles
3	—	724PN	Packing Nut
4	35235B	353-CW	Bonnet Packing
5	—	193-B	Top Bibb Ring
6	35063B	900	0 Flat Bibb Washer
7	35141B	104	Bibb Screw
8	35564B	1028Y	Cap Thread Gasket
9	15835E 15836E	SU-353-ER SU-353-EL	Stem with Bonnet R.H. Hot Stem with Bonnet L.H. Cold
10	30006E	263-C	Bibb Seat Brass
11	—	166-F	Snap Ring
12	35725B	1028K	Spout O-Ring
13	—	510	Escutcheon
14	10481	1F	15/16F Aerator



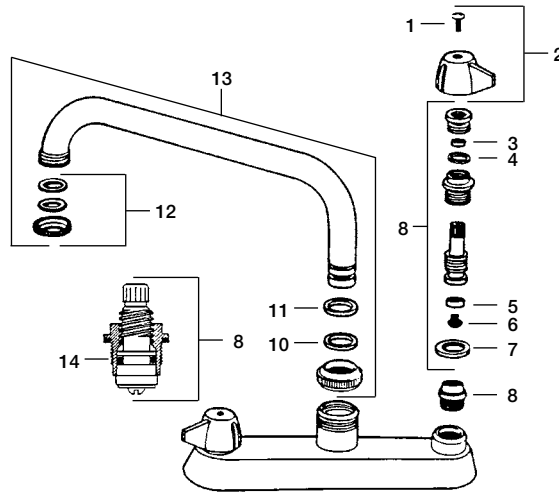
REPAIRS FOR

CENTRAL BRASS

KITCHEN FAUCET

Series 120

Item No.	Stock No.	OEM Ref No.	Description
1	—	107-F	Handle Screw (10 per Pak)
2	80401	523	(1) Pair Handles
3	35235B	353-CW	Bonnet Packing
4	—	193-B	Top Bibb Ring
5	35063B	900	0 Flat Bibb Washer
6	35142B	104	Bibb Screw
7	35564B	1028-Y	Cap Thread Gasket
8	15835E 15836E	SU-353-ER SU-353-EL	Stem with Bonnet R.H. Hot Stem with Bonnet L.H. Cold
9	30006E	263-BC	Bibb Seat Brass
10	35728B	1038-K	Spout O-Ring
11	—	166-F	Snap Ring
12	10481	—	15/16F Aerator
13	—	—	Spout Assembly
14	35725B	—	Stem O-Ring



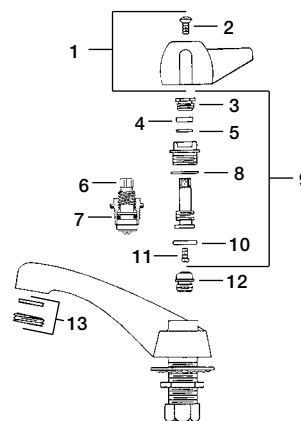
REPAIRS FOR

CENTRAL BRASS

LAVATORY FAUCET

Series 1133-D, 1137-D

Item No.	Stock No.	OEM Ref No.	Description
1	80401	523	(1) Pair Handles
2	35636B	107-F	Handle Screw
3	—	724-PN	Packing Nut
4	35235B	353-CW	Bonnet Packing
5	—	192-B	Top Bibb Ring
6	15083E 15084E	60WB 61WB	Stem with Bonnet R.H. Hot <i>Old Style</i> Stem with Bonnet L.H. Cold <i>Old Style</i>
7	35725B	—	Stem O-Ring
8	35564B	1028-Y	Cap Thread Gasket
9	15835E 15836E	SU-353-ER SU-353-EL	Stem with Bonnet R.H. Hot <i>New Style</i> Stem with Bonnet L.H. Cold <i>New Style</i>
10	35063B	900	0 Flat Bibb Washer
11	35141B	104	Bibb Screw
12	30006E	263-BC	Bibb Seat Brass
13	10483	2M	15/16M Aerator



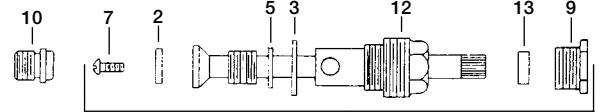
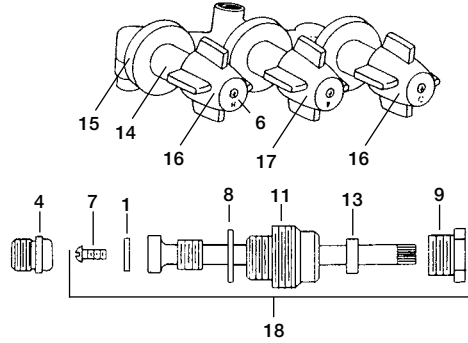
REPAIRS FOR

CENTRAL BRASS

BATH FIXTURE

Series 850, 868, 950, 968

Item No.	Stock No.	OEM Ref No.	Description
1	35068B	900N	3/8L Flat Bibb Washer
2	35067B	900N	3/8M Flat Bibb Washer
3	35544B	1028Y	Cap Thread Gasket
4	30004E	263-BC	Bibb Seat <i>Old Style</i>
5	35686B	4-N	Diverter Washer
6	35148B	107-F	Handle (Bibb) Screw
7	35153B	104	Bibb Screw
8	35575B	1028-Y	Cap Thread Gasket
9	—	765-T	Packing Nut
10	—	263-BC	Bibb Seat <i>New Style</i>
11	—	81B	Bonnet R.H. Hot & Cold
12	—	91B	Bonnet Diverter
13	35231B	814-BA	Bonnet Packing
14	—	269-2-9/16	Sleeve
15	—	521-EU	Escutcheon
16	88264	508-H	(1) Pair Handles
17	88265	508-D	Diverter Handle
18	17149B	81WB	Stem with Bonnet R.H. Hot & Cold
19	17162B	91WB	Stem with Bonnet Diverter



Stock No.	OEM Ref No.	Description
39616	—	Remodeling Kit
	<i>Contains:</i>	(2) 17310 Stem Assembly Hot/Cold (1) 17311 Stem Assembly Diverter (3) 30006 Bibb Seat (1) 20045 (1) Pair Handles (1) 20046 Handle Diverter (3) 34510 Escutcheon Flange (1) 60901 Bonnet Wrench (3) 35564 Cap Thread Gaskets (3) 27475 Nipples

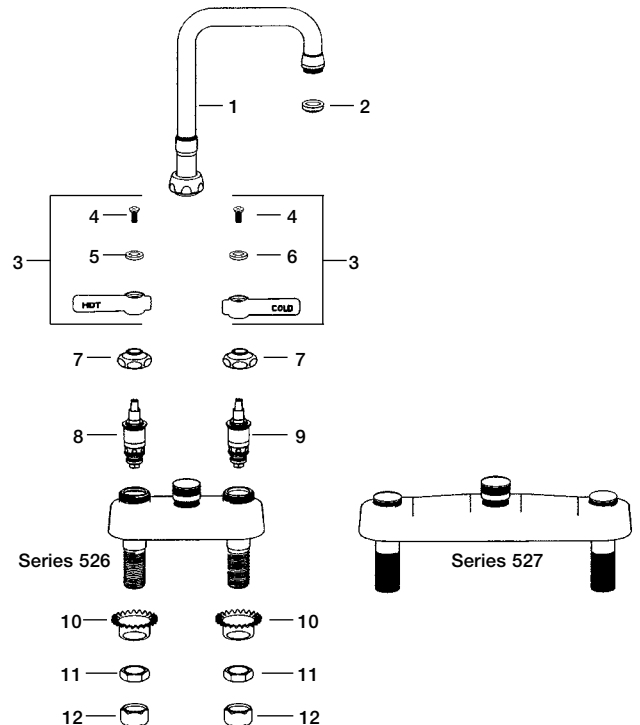
REPAIRS FOR

CHICAGO

KITCHEN FAUCET

Series 526 (4" C-C) and 527 (8" C-C)

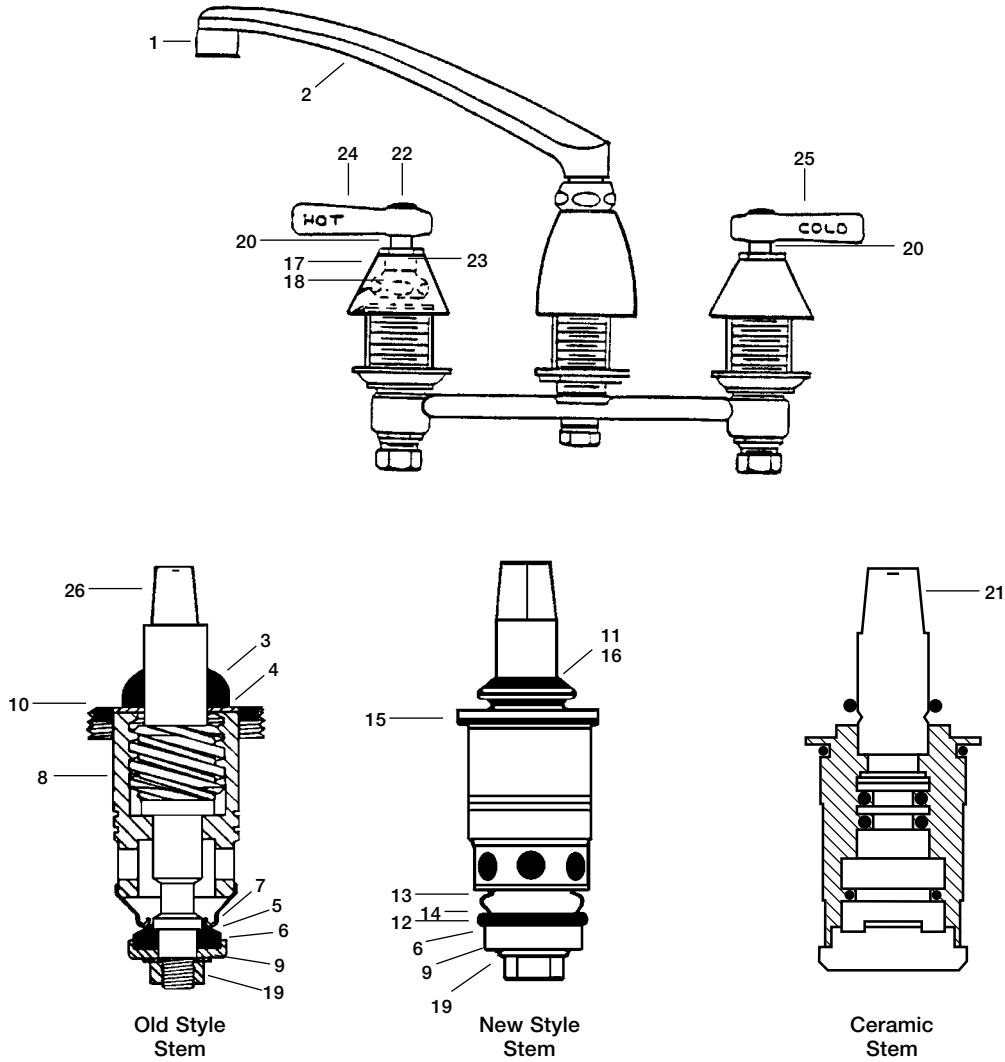
Item No.	Stock No.	OEM Ref No.	Description
1	—	DB6ASWG	Spout Assembly
2	—	E1	Aerator
3	—	369HPR	(1) Pair Handles
4	—	420-010	Handle Screw (10 per Pak)
5	—	633-023	Index Button (Red) <i>Hot</i>
6	—	633-123	Index Button (Blue) <i>Cold</i>
7	—	1-214	Cap
8	15111E	1-100XT	Hot Stem Assembly
9	15112E	1-099XT	Cold Stem Assembly
10	—	1797-114	Cup Washer
11	—	49-004	Locknut
12	—	49-005	Coupling Nut



CHICAGO

HI-LITE "QUATURN" FAUCET

Concealed Deck Mount Series 201



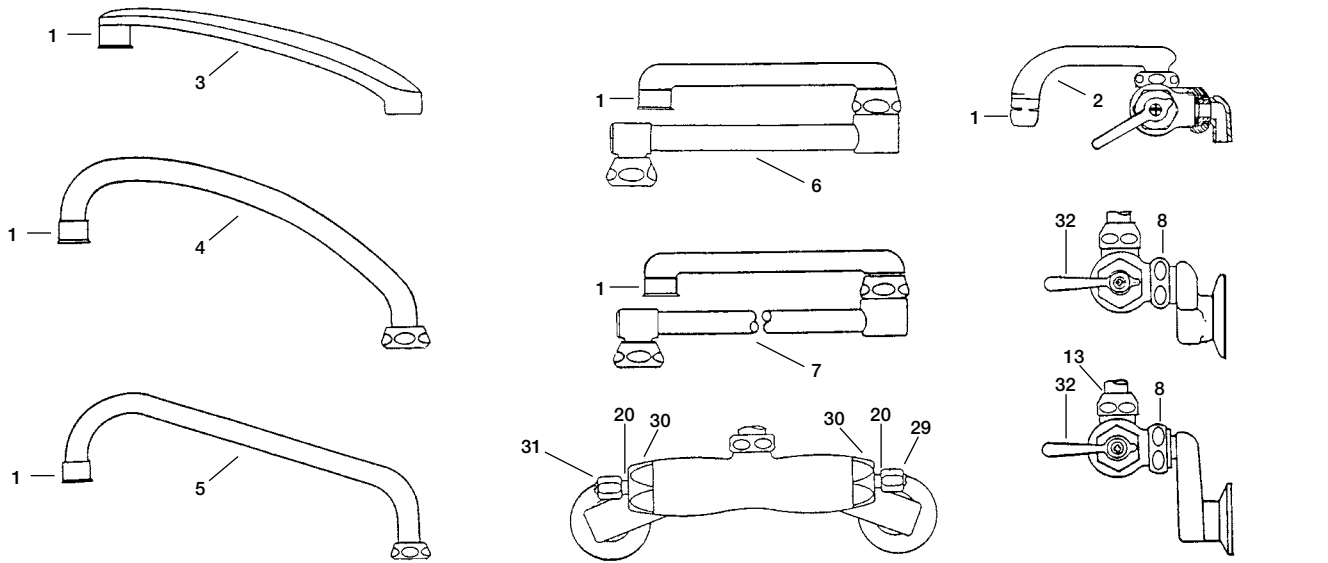
Item No.	Stock No.	OEM Ref No.	Description
1	—	E3	Aerator
2	—	L8	8" Spout
3	35188B	1-019	Bonnet Packing
4	36615B	1-020	Brass Friction Ring
5	36812B	1-021	Bibb Washer <i>Generic</i>
	—	1-021	Bibb Washer <i>OEM</i>
6	—	1-022	Bibb Washer Retainer
7	—	1-027	Monel Seat
8	—	1-028	Sleeve L.H.
	—	1-029	Sleeve R.H.
9	—	1-031	Stem Nut Washer (20 per Pak)
10	35572B	1-043	Cap Thread Gasket
11	—	1-119	Packing (2-Piece)
12	—	1-321	Bibb Washer (Hard)
13	—	1-327	Monel Seat
14	—	1-328	Seat O-Ring
15	—	2-043	Sleeve O-Ring

Item No.	Stock No.	OEM Ref No.	Description
16	—	93-131K	Packing Assembly (2-Piece)
17	—	250-180	Escutcheon
18	—	274-4	Bonnet Cap
19	—	333-097	Stem Nut
20	—	337XT-LH	Stem with Bonnet L.H. Hot
	—	337XT-RH	Stem with Bonnet R.H. Cold
21	—	1-100-XK	Ceramic Stem with Bonnet L.H. Hot
	—	1-099-XK	Ceramic Stem with Bonnet R.H. Cold
22	35644B	420-10	Handle Screw
23	—	422-13	Escutcheon Nut
24	—	369	Hot Handle
25	—	369	Cold Handle
	—	369	(1) Pair Handles
26	15111E	1-100XT	L.H. Stem <i>Old Style</i>
	15112E	1-099XT	R.H. Stem <i>Old Style</i>

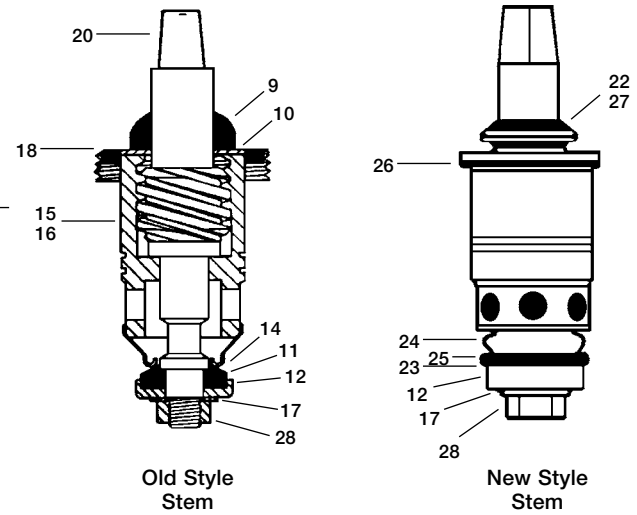
CHICAGO

"QUATURN" KITCHEN FAUCET

Back Mount Series 445 with 6" Spout 8", 9" and 12" Swing Spouts, 13" and 18" Double-Jointed Swing Spout



Item No.	Stock No.	OEM Ref No.	Description
1	—	E3	Aerator
2	—	S6	6" Spout
3	—	L8	8" Swing Spout
4	—	L9	9" Swing Spout
5	—	L12	12" Swing Spout
6	—	DJ-13	13" Double-Jointed Swing Spout
7	—	DJ-18	18" Double-Jointed Swing Spout
8	—	1-011	Washer
9	35188B	1-019	Bonnet Packing
10	36615B	1-020	Brass Friction Ring
11	36812B	1-021	Bibb Washer <i>Generic</i>
	—	1-021	Bibb Washer <i>OEM</i>
12	—	1-022	Bibb Washer Retainer
13	—	1-026	Split Ring
14	—	1-027	Monel Seat
15	—	1-028	Sleeve L.H.
16	—	1-029	Sleeve R.H.
17	—	1-031	Stem Nut Washer (20 per Pak)
18	35572B	1-043	Cap Thread Gasket
19	—	1-055	Flange
20	15112E	1-099XT	Stem with Bonnet R.H. Cold <i>Old Style</i>
	15111E	1-100XT	Stem with Bonnet L.H. Hot <i>Old Style</i>
21	—	1-100-XK	Ceramic Stem with Bonnet L.H. Hot
	—	1-099-XK	Ceramic Stem with Bonnet R.H. Cold
22	—	1-119	Packing (2-Piece)
23	—	1-321	Bibb Washer (Hard)
24	—	1-327	Monel Seat
25	—	1-328	Seat O-Ring
26	—	2-043	Sleeve O-Ring
27	—	93-131K	Packing Assembly (3-Piece)

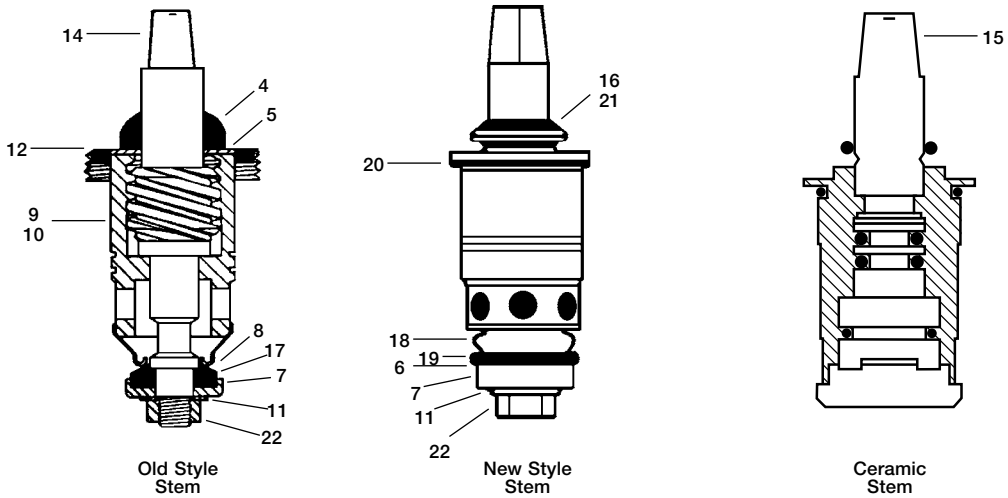
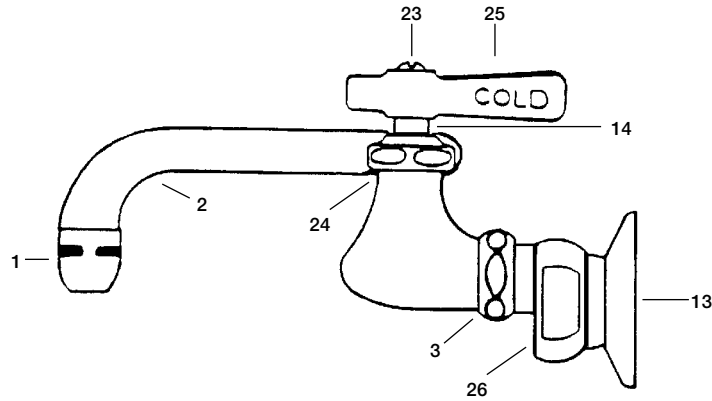


Item No.	Stock No.	OEM Ref No.	Description
28	—	333-097	Stem Nut
29	35644B	420-10	Handle Screw
30	—	444-5	Bonnet Cap Hot & Cold
31	—	369	Hot Handle
32	—	369	Cold Handle
	—	369	(1) Pair Handles

CHICAGO

"QUATURN" KITCHEN FAUCET

Series 540-LD



Item No.	Stock No.	OEM Ref No.	Description
1	—	E3	Aerator
2	—	S6	6" Spout
3	—	1-011	Washer
4	35188B	1-019	Bonnet Packing
5	36615B	1-020	Friction Ring <i>Brass</i>
6	36812B	1-021	Bibb Washer <i>Generic</i>
	—	1-021	Bibb Washer <i>OEM</i>
7	—	1-022	Bibb Washer Retainer
8	—	1-027	Monel Seat
9	—	1-028	Sleeve L.H.
10	—	1-029	Sleeve R.H.
11	—	1-031	Stem Nut Washer (<i>20 per Pak</i>)
12	35572B	1-043	Cap Thread Gasket
13	—	1-055	Flange
14	15112E	1-099XT	Stem with Bonnet R.H. Cold <i>Old Style</i>
	15111E	1-100XT	Stem with Bonnet L.H. Hot <i>Old Style</i>
15	—	1-100-XK	Ceramic Stem with Bonnet L.H. Hot
	—	1-099-XK	Ceramic Stem with Bonnet R.H. Cold

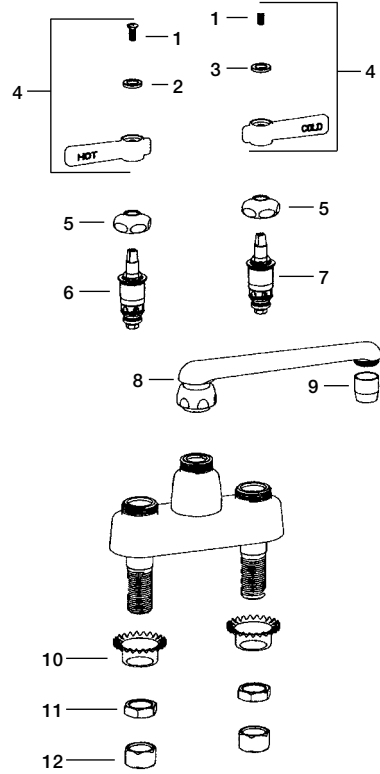
Item No.	Stock No.	OEM Ref No.	Description
16	—	1-119	Packing (2-Piece)
17	—	1-321	Bibb Washer (Hard)
18	—	1-327	Monel Seat
19	—	1-328	Seat O-Ring
20	—	2-043	Sleeve O-Ring
21	—	93-131K	Packing Assembly (3-Piece)
22	—	333-097	Stem Nut
23	—	420-10	#43 Handle Screw
24	—	444-5	Bonnet Cap Hot & Cold
25	—	369	Handle <i>Hot</i>
	—	369	Handle <i>Cold</i>

REPAIRS FOR

CHICAGO

KITCHEN FAUCET

Series 891



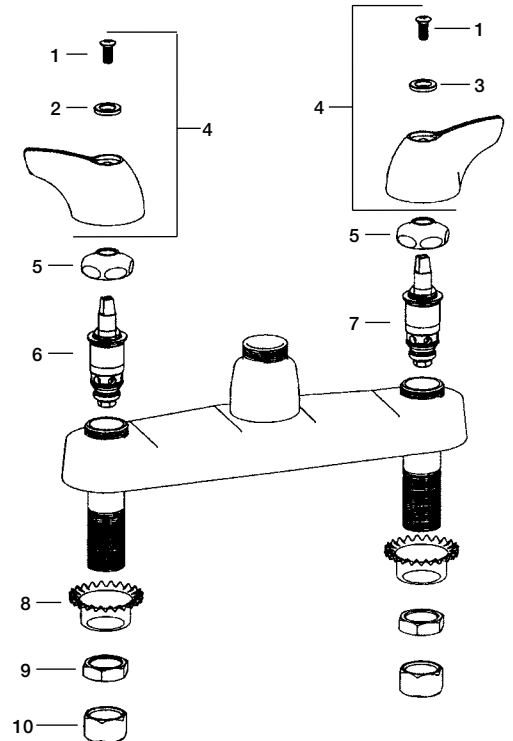
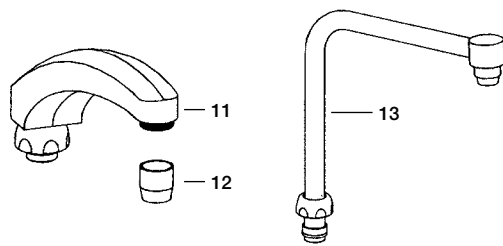
Item No.	Stock No.	OEM Ref No.	Description
1	—	420-010	Handle Screw (10 per Pak)
2	—	633-023	Index Button (Red) Hot
3	—	633-123	Index Button (Blue) Cold
4	—	369HPR	(1) Pair Handles
5	—	1-214	Cap
6	15111E	1-100XT	Hot Stem Assembly
7	15112E	1-099XT	Cold Stem Assembly
8	—	S6	Spout Assembly
9	—	E3	Aerator
10	—	1797-114	Cup Washer
11	—	49-004	Locknut
12	—	49-005	Coupling Nut

REPAIRS FOR

CHICAGO

KITCHEN FAUCET

Series 1100 & 1102



Item No.	Stock No.	OEM Ref No.	Description
1	—	420-010	Handle Screw (10 per Pak)
2	—	633-023	Index Button (Red) Hot
3	—	633-123	Index Button (Blue) Cold
4	—	1000PRJK	(1) Pair Handles
5	—	1-214	Cap
6	15111E	1-100XT	Hot Stem Assembly
7	15112E	1-099XT	Cold Stem Assembly
8	—	1797-114	Cup Washer
9	—	49-004	Locknut
10	—	49-005	Coupling Nut
11	—	L8	Spout Assembly
12	—	E3	Aerator
13	—	HA8	Spout Assembly

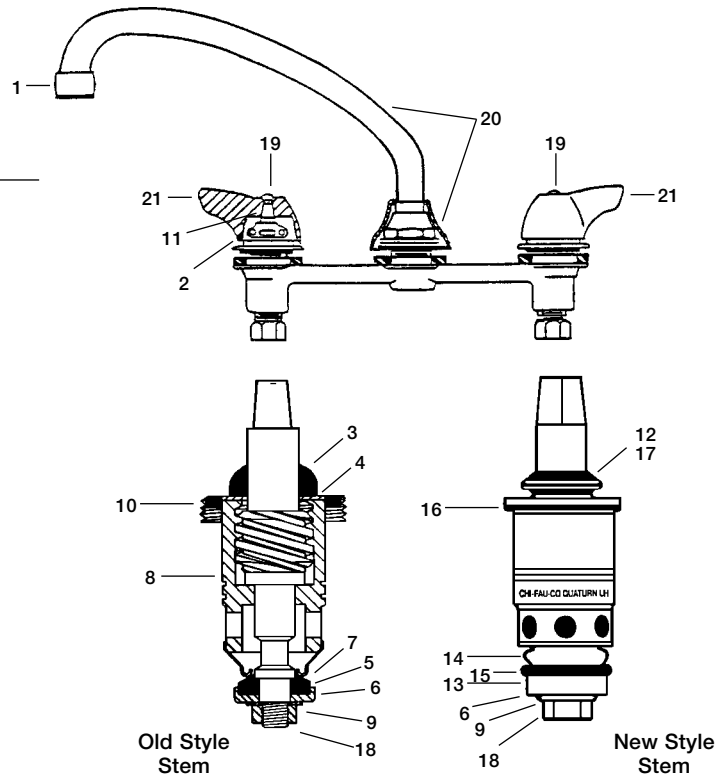
REPAIRS FOR

CHICAGO

QUATURN KITCHEN FAUCET

Deck Mount Series 1888

Item No.	Stock No.	OEM Ref No.	Description
1	—	E3JK	Aerator
2	—	1-214JK	Bonnet Cap Hot & Cold
3	35188B	1-119JK	Bonnet Packing
4	36615B	1-119JK	Friction Ring <i>Brass</i>
5	36812B	1-021JK	Bibb Washer
6	—	1-022JK	Bibb Washer Retainer
7	—	1-027JK	Monel Seat
8	—	2-028JK	Sleeve L.H.
9	—	2-029JK	Sleeve R.H.
10	—	1-031JK	Stem Nut Washer (20 per Pak)
11	35572B	1-043JK	Cap Thread Gasket
12	15112E	1-099XTJK	Stem with Bonnet R.H. <i>Cold</i>
13	15111E	1-100XTJK	Stem with Bonnet L.H. <i>Hot</i>
14	—	1-119JK	Packing (2-Piece)
15	—	1-021JK	Bibb Washer (Hard)
16	—	1-327JK	Monel Seat
17	—	1-328JK	Seat O-Ring
18	—	2-043JK	Sleeve O-Ring
19	—	93-131JK	Packing Assembly (2-Piece)
20	—	333-097JK	Stem Nut
21	—	420-010JK	Handle Screw
—	—	1888-001JKCP	Spout with Escutcheon
—	—	1000PRJK	(1) Pair Lever Handles
—	—	1-006JK	Spout Packing <i>Not Illustrated</i>
—	—	1-219JK	Stem O-Ring <i>Not Illustrated</i>



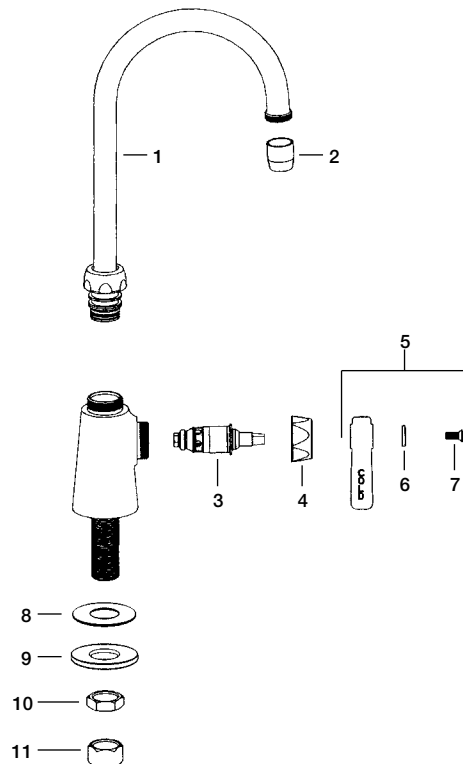
REPAIRS FOR

CHICAGO

BAR FAUCET

Series 350

Item No.	Stock No.	OEM Ref No.	Description
1	—	GN2A	Spout Assembly
2	—	E3	Aerator
3	15112E	1-099XT	Cold Stem Assembly
4	—	444-005	Cap
5	—	369V COLD	Handle Assembly <i>Cold</i>
6	—	633-123	Index Button (Blue) <i>Cold</i>
7	—	420-010	Handle Screw (10 per Pak)
8	—	52-007JK	Rubber Washer
9	—	807-002	Steel Washer
10	—	49-004	Locknut
11	—	49-005	Coupling Nut

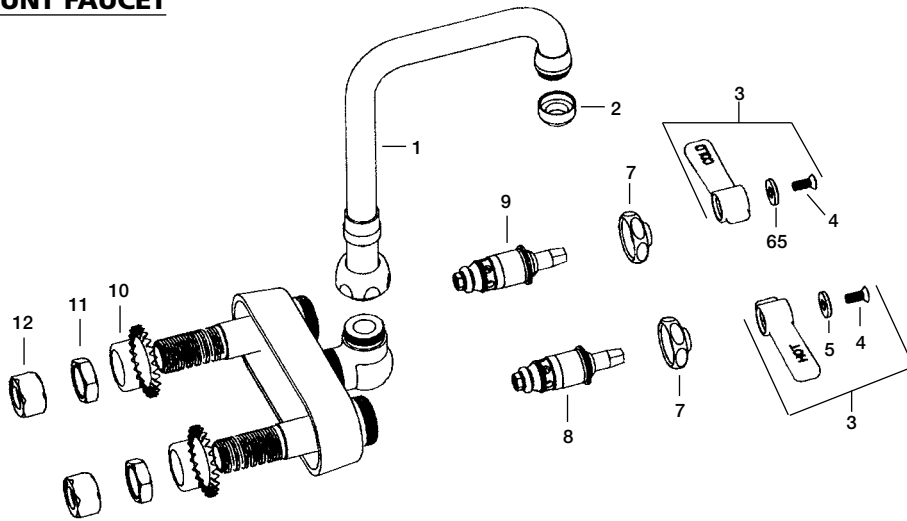


REPAIRS FOR

CHICAGO

UNDER BAR MOUNT FAUCET

Series 521



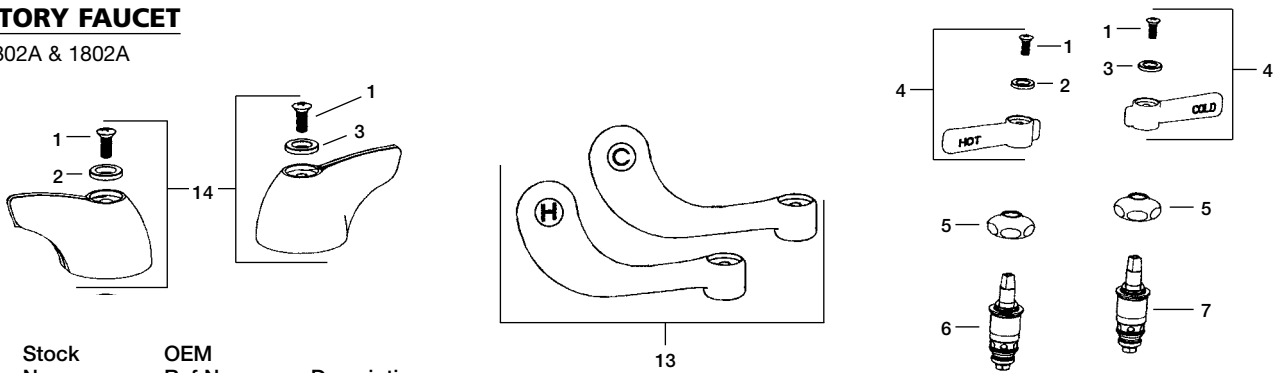
Item No.	Stock No.	OEM Ref No.	Description	Item No.	Stock No.	OEM Ref No.	Description
1	—	DB6ASWG	Spout Assembly	7	—	1-214	Cap
2	—	E1	Aerator	8	15111E	1-100XT	Stem Assembly <i>Hot</i>
3	—	369HPR	(1) Pair Handle Assemblies	9	15112E	1-099XT	Stem Assembly <i>Cold</i>
4	—	420-010	Handle Screw (10 per Pak)	10	—	1797-114	Cup Washer
5	—	633-023	Index Button (Red) <i>Hot</i>	11	—	49-004	Locknut
6	—	633-123	Index Button (Blue) <i>Cold</i>	12	—	49-005	Coupling Nut

REPAIRS FOR

CHICAGO

LAVATORY FAUCET

Series 802A & 1802A



Item No.	Stock No.	OEM Ref No.	Description
1	—	420-010	Handle Screw (10 per Pak)
2	—	633-023	Index Button (Red) <i>Hot</i>
3	—	633-123	Index Button (Blue) <i>Cold</i>
4	—	369HPR	(1) Pair Handle Assemblies
5	—	1-214	Cap
6	15111E	1-100XT	Hot Stem Assembly
7	15112E	1-099XT	Cold Stem Assembly
8	—	E12	Aerator
9	—	555-113	Stilt Washer
10	—	1797-114	Cup Washer
11	—	49-004	Locknut
12	—	49-005	Coupling Nut
13	—	317PR	(1) Pair 4" Wrist Blade Handles
14	—	1000PRJK	(1) Pair Handles

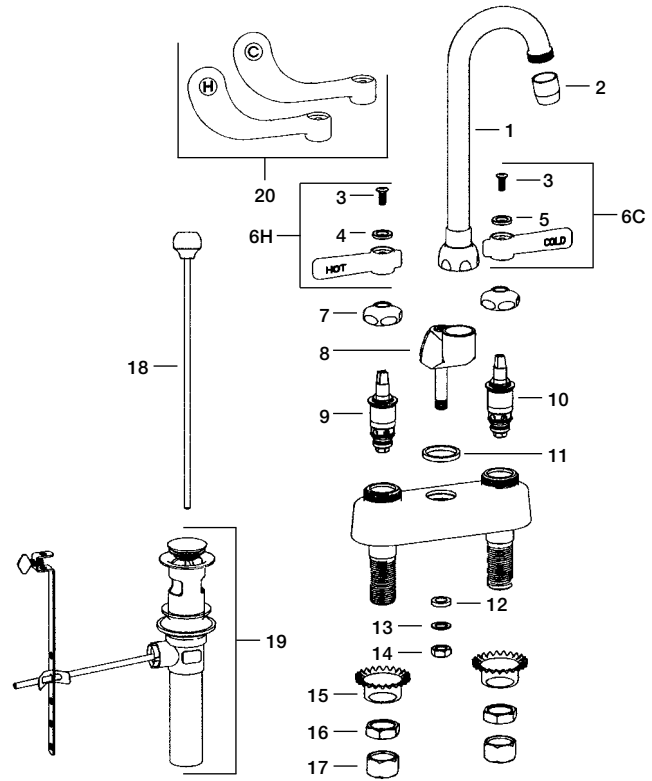
REPAIRS FOR

CHICAGO

LAVATORY FAUCET

Series 894

Item No.	Stock No.	OEM Ref No.	Description
1	—	GN1A	Spout
2	—	E3	Aerator
3	—	420-010	Handle Screw (10 per Pak)
4	—	633-023	Index Button (Red) Hot
5	—	633-123	Index Button (Blue) Cold
6H	—	369	Handle Assembly Hot
6C	—	369	Handle Assembly Cold
7	—	1-214	Cap
8	—	894-252K	Spout Base Assembly
9	15111E	1-100XT	Stem Assembly Hot
10	15112E	1-099XT	Stem Assembly Cold
11	—	689-038	Washer Rubber
12	—	689-108	Washer Rubber
13	—	689-109	Washer Brass
14	—	689-113	Nut
15	—	1797-114	Cup Washer
16	—	49-004	Locknut
17	—	49-005	Coupling Nut
18	—	226-113K	Lift Rod Assembly
19	—	1222K	Pop-Up Assembly
20	—	317PR	(1) Pair 4" Wrist Blade Handles

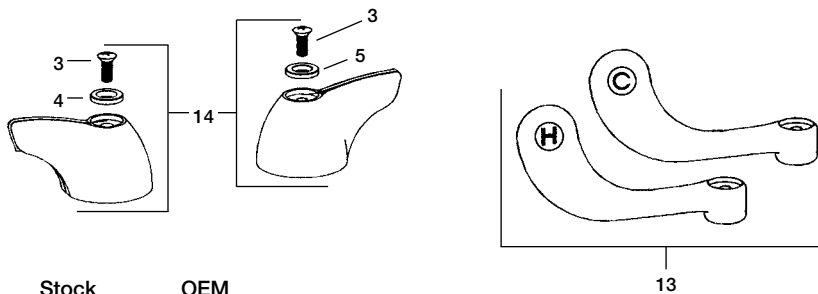


REPAIRS FOR

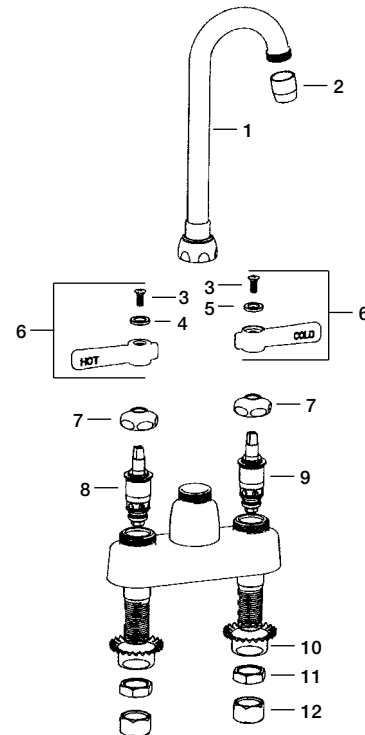
CHICAGO

LAVATORY FAUCET

Series 895 & 1895



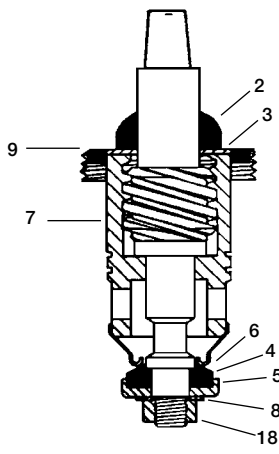
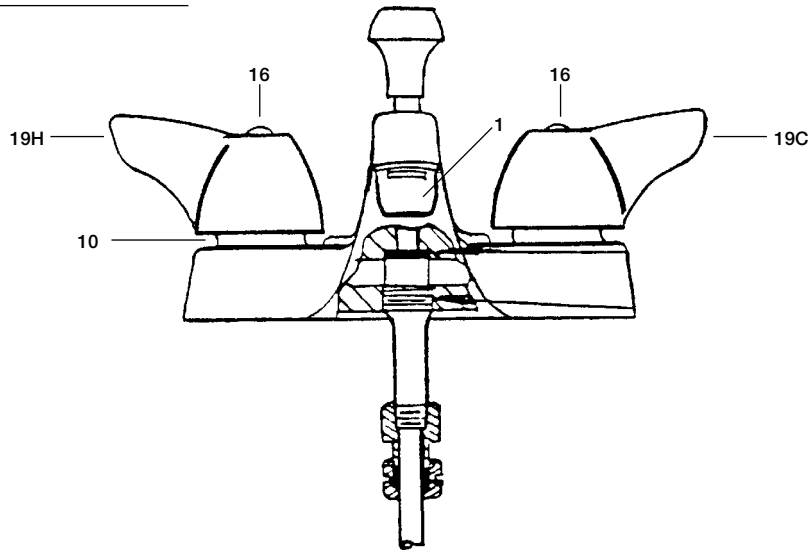
Item No.	Stock No.	OEM Ref No.	Description
1	—	GN1A	Spout
2	—	E3	Aerator
3	—	420-010	Handle Screw (10 per Pak)
4	—	633-023	Index Button (Red) Hot
5	—	633-123	Index Button (Blue) Cold
6	—	369HPR	(1) Pair Handle Assemblies
7	—	1-214	Cap
8	15111E	1-100XT	Hot Stem Assembly
9	15112E	1-099XT	Cold Stem Assembly
10	—	1797-114	Cup Washer
11	—	49-004	Locknut
12	—	49-005	Coupling Nut
13	—	317PR	(1) Pair 4" Wrist Blade Handles
14	—	1000PRJK	(1) Pair Lever Handles



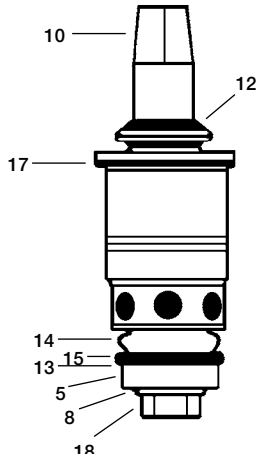
CHICAGO

"QUATURN" LAVATORY FAUCET

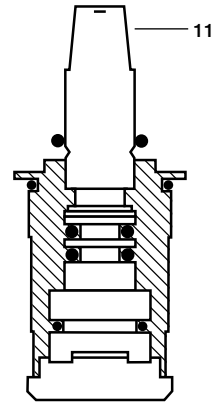
Series 1797



Old Style Stem



New Style Stem



Ceramic Stem

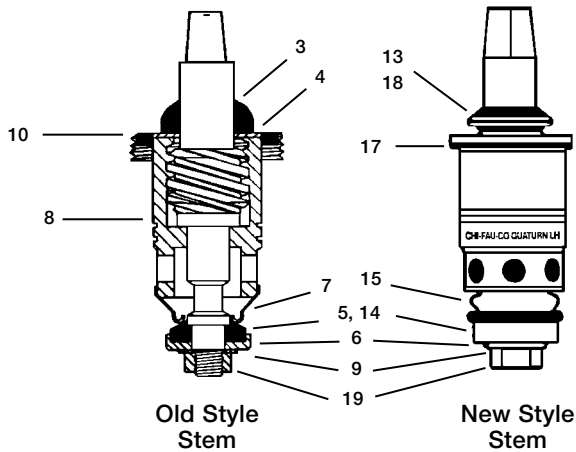
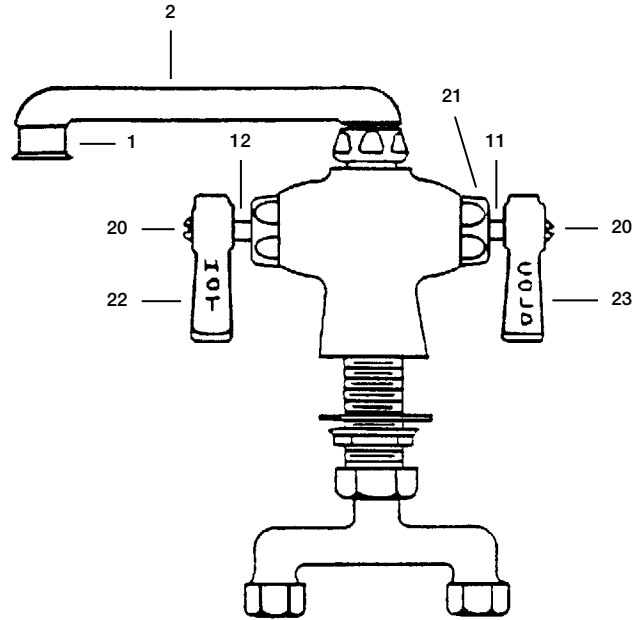
Item No.	Stock No.	OEM Ref No.	Description
1	—	E-12	Aerator
2	35188B	1-019	Bonnet Packing
3	36615B	1-020	Brass Friction Ring
4	36812B	1-021	Bibb Washer <i>Generic</i>
	—	1-021	Bibb Washer <i>OEM</i>
5	—	1-022	Bibb Washer Retainer
6	—	1-027	Monel Seat
7	—	1-028	Sleeve - L.H.
	—	1-029	Sleeve - R.H.
8	—	1-031	Stem Nut Washer (20 per Pak)
9	35572B	1-043	Cap Thread Gasket
10	15112E	1-099XT	Stem with Bonnet R.H. <i>Cold</i>
	15111E	1-100XT	Stem with Bonnet L.H. <i>Hot</i>
11	—	1-100-XK	Ceramic Stem with Bonnet - L.H. <i>Hot</i>
	—	1-099-XK	Ceramic Stem with Bonnet - R.H. <i>Cold</i>

Item No.	Stock No.	OEM Ref No.	Description
12	—	1-119	Packing (2-Piece)
13	—	1-321	Bibb Washer
14	—	1-327	Monel Seat
15	—	1-328	Seat O-Ring
16	—	420-10	Handle Screw
17	—	2-043	Sleeve O-Ring
18	—	333-097	Stem Nut
19H	—	1000	Hot Handle
19C	—	1000	Cold Handle

CHICAGO

"QUATURN" SINK FAUCET

Series 51 (Double), 349 (Single)



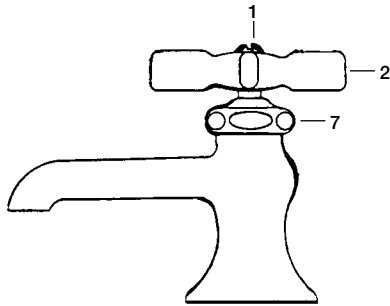
Item No.	Stock No.	OEM Ref No.	Description
1	—	E3	Aerator
2	—	S6	6" Swing Spout
3	35188B	1-019	Bonnet Packing
4	36615B	1-020	Brass Friction Ring
5	36812B	1-021JK	Bibb Washer
6	—	1-022JK	Bibb Washer Retainer
7	—	1-027JK	Monel Seat
8	—	1-028	Sleeve L.H.
		1-029	Sleeve R.H.
9	—	1-031JK	Stem Nut Washer (20 per Pak)
10	35572B	1-043JK	Cap Thread Gasket
11	15112E	1-099XT	Stem with Bonnet R.H. Cold
12	15111E	1-100XT	Stem with Bonnet L.H. Hot
13	—	1-119JK	Packing (2-Piece)
14	36812B	1-321	Bibb Washer (Hard)

Item No.	Stock No.	OEM Ref No.	Description
15	—	1-327JK	Monel Seat
16	—	1-328JK	Seat O-Ring
17	—	2-043JK	Sleeve O-Ring
18	—	93-131K	Packing Assembly (3-Piece)
19	—	333-097JK	Stem Nut
20	—	420-10JK	Handle Screw
21	—	444-005JK	Bonnet Cap Hot & Cold
22	—	369	Hot Handle
23	—	369	Cold Handle
		—	Rebuild Kit for Old Style Stem
		1-219JK	Stem O-Ring Not Illustrated

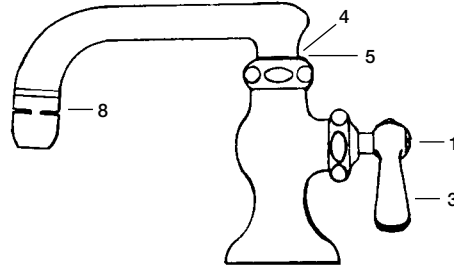
CHICAGO

"QUATURN" BASIN FAUCET & SINGLE PANTRY SINK FAUCET

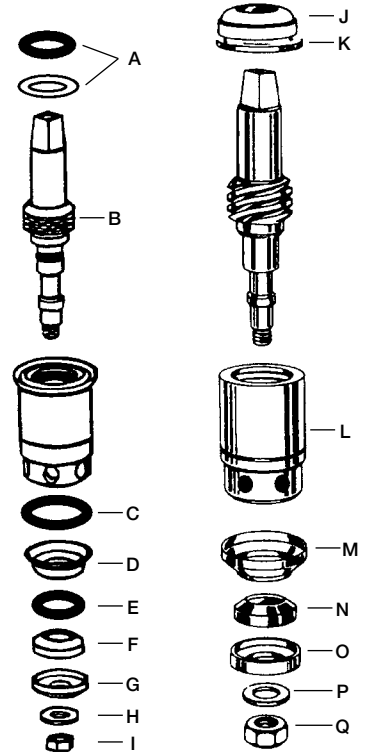
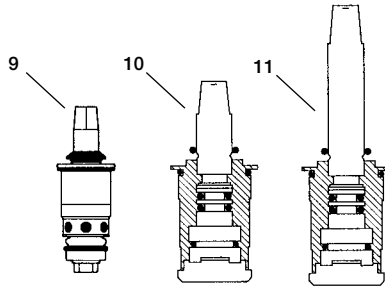
Series Basin Faucet Model 700, Single Pantry Sink Faucet Model 349



Model 700
Quaturn Basin Faucet



Model 349
Quaturn Single Pantry Sink
#889552 Complete Valve



Item No.	Stock No.	OEM Ref No.	Description
1	—	420-010	Handle Screw (10 per Pak)
2	—	633	Handle Hot
	—	633	Handle Cold
	—	—	(1) Pair Handles
3	—	369	(1) Pair Lever Handles
4	—	1-6	Spout Packing
5	—	1-26	Split Ring
6	—	S-6	Spout Assembly
7	—	—	Cap
8	—	E-3	Aerator
9	15111E	546	L.H. "XT" Complete Stem Assembly Hot
	15112E	506	R.H. "XT" Complete Stem Assembly Cold
10	—	—	R.H. "XK" Complete Stem Assembly Short Pattern Cold
	—	—	L.H. "XK" Complete Stem Assembly Short Pattern Hot
11	—	—	R.H. "XK" Complete Stem Assembly Long Pattern Cold
	—	—	L.H. "XK" Complete Stem Assembly Long Pattern Hot

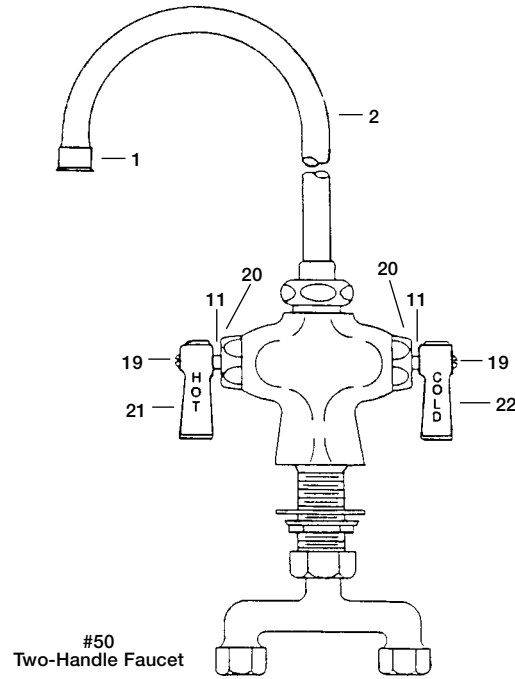
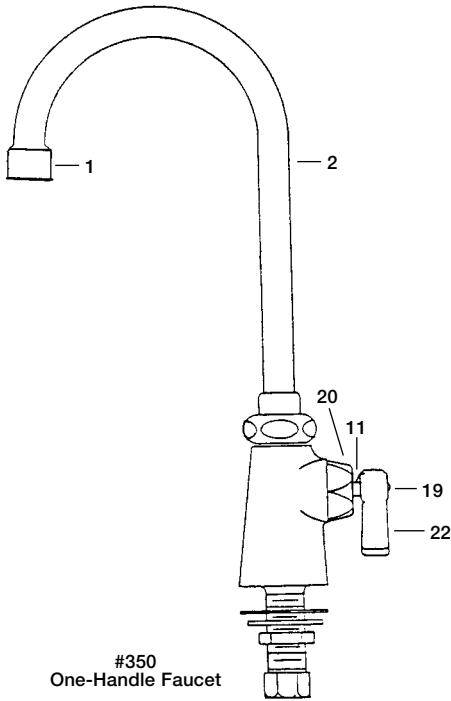
Item No.	Stock No.	OEM Ref No.	Description
A	—	93-131K	Packing
B	—	200-008	Stem O-Ring
C	—	2-043	Sleeve O-Ring
D	—	1-327	"XT" Seal
E	—	1-328NF	Seat O-Ring
F	36812B	1-21	Seat Washer
G	—	1-22	Washer Retainer
H	—	1-31	Stem Nut Washer (20 per Pak)
I	—	333-097	Stem Nut
J	35188B	1-19	Packing
	—	1-43	NS Packing Set
K	36616B	1-20	Washer
L	—	1-28	Sleeve L.H. (Quaturn) Cold Sleeve R.H. (Quaturn) Hot
	—	1-29	
M	—	1-27	Monel Seat
N	36812B	1-21	Seat Washer
O	—	1-22	Washer Retainer
P	—	1-31	Washer (20 per Pak)
Q	—	1-18	Nut
	35572B	1-43	Cap Gasket Not Illustrated

Stock No.	OEM Ref No.	Description
80047	—	Stem Repair Kit
		<i>Contains:</i>
		(1) 36615 Friction Ring
		(1) 36812 Seat Washer
		(1) 36815 Seat
		(1) 35572 Cap Thread Gasket
		(1) 36809 Nut
		(1) 36814 Retainer
		(1) 36827 Packing set

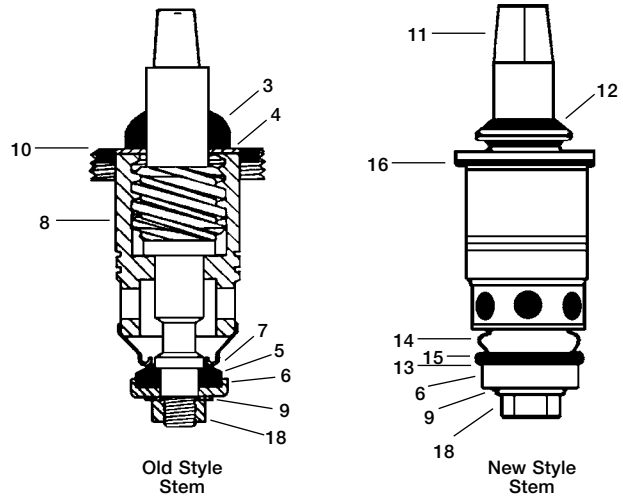
CHICAGO

"QUATURN" PANTRY FAUCETS

Series 50 (Double), 350 (Single)



Item No.	Stock No.	OEM Ref No.	Description
1	—	E3	Aerator
2	—	GN2A	Gooseneck Spout
3	35188B	1-019	Bonnet Packing
4	36615B	1-020	Brass Friction Ring
5	36812B	1-021	Bibb Washer (Generic)
	—	1-021	Bibb Washer (OEM)
6	—	1-022	Bibb Washer Retainer
7	—	1-027	Monel Seat
8	—	1-028	Sleeve L.H.
	—	1-029	Sleeve R.H.
9	—	1-031	Stem Nut Washer (20 per Pak)
10	35572B	1-043	Cap Thread Gasket
11	15112E	1-099XT	Stem with Bonnet R.H. Cold
	15111E	1-100XT	Stem with Bonnet L.H. Hot
12	—	1-119	Packing (2-Piece)
13	36812B	1-321	Bibb Washer (Hard)
14	—	1-327	Monel Seat
15	—	1-328	Seat O-Ring
16	—	2-043	Sleeve O-Ring
17	—	93-131K	Packing Assembly (3-Piece)
18	—	333-097	Stem Nut
19	—	420-10	Handle Screw
20	—	444-5	Bonnet Cap Hot & Cold



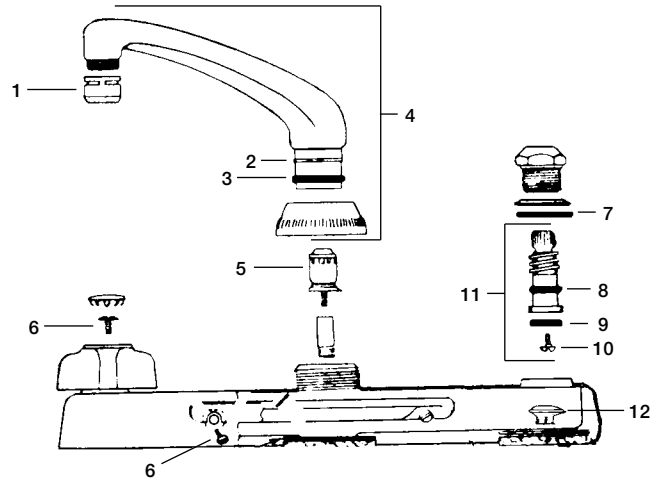
Item No.	Stock No.	OEM Ref No.	Description
21	—	369	Hot Handle
22	—	369	Cold Handle
	—		(1) Pair Handles

REPAIRS FOR

CRANE

CRESTMONT & ALLIANCE KITCHEN FAUCET

Models B611, B614



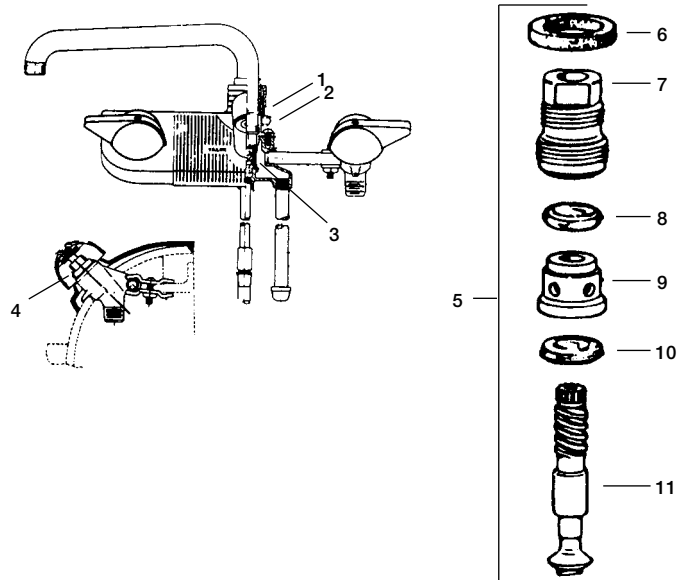
Item No.	Stock No.	OEM Ref No.	Description
1	10483	—	Aerator
2	—	616-22A	Split Ring
3	35734B	509-22	O-Ring
4	—	509-2	Spout <i>Hose & Spray Model</i>
5	—	405-75	Diverter (<i>Upper</i>)
	—	405-75	Diverter (<i>Lower</i>)
6	—	—	Handle Screw (<i>10 per Pak</i>)
7	35561B	420-13A	Gasket
8	—	420-22	O-Ring
9	35064B	1-12	1/4 Flat Bibb Washer
10	—	2-11	Screw
11	15905E	—	Stem R.H. Hot or Cold
12	—	1112-188	Seat

REPAIRS FOR

CRANE

TEMPLE KITCHEN FAUCET

Series 8-64



Item No.	Stock No.	OEM Ref No.	Description
1	—	F-11089	Washer
2	—	F-11090	Spout Locking Ring
3	—	FB-8074	Diverter, Upper
	—	FB-8074	Diverter, Lower
4	—	F-10584	Locknut
5	15119E	FB-8552	Dial-Ese Unit in "H" Side
	15120E	FB-8552	Dial-Ese Unit in "C" Side
6	35545B	F-10590	Gasket
7	—	F-10585	Centerpiece <i>Hot</i>
	—	F-10586	Centerpiece <i>Cold</i>
8	35721B	F-12376	Packing Ring
	35233B	—	Felt Packing
9	—	F-10589	Sleeve
10	36738B	F-10592	Seat Ring
11	15117E	F-12535	Brass Tip Stem L.H. Thread
	15118E	F-12536	Brass Tip Stem R.H. Thread

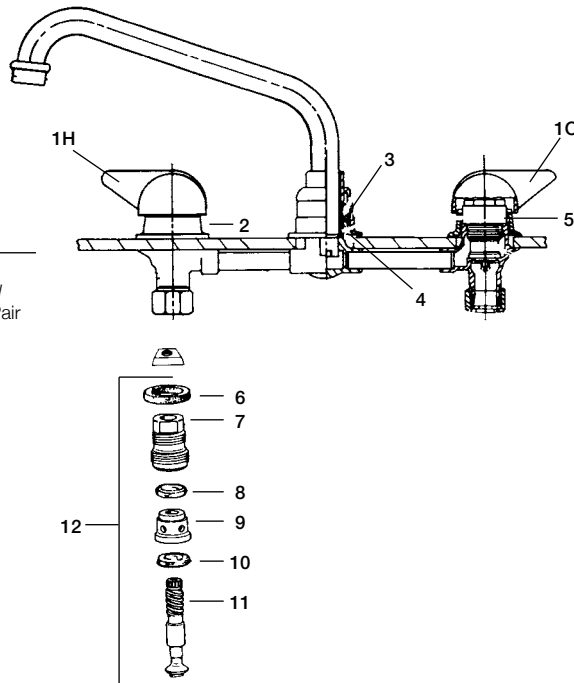
REPAIRS FOR

CRANE

EMBASSY KITCHEN FAUCET

Series 8-84, 8-84-A, 8-85, 8-85-A

Item No.	Stock No.	OEM Ref No.	Description
1H	—	FB-8159	Handle Sub-Assembly Hot
1C	—	FB-8160	Handle Sub-Assembly Cold
	—	—	Handle Sub-Assembly (1) Pair
2	—	F-11743	Flange
3	—	F-11198	Washer
4	—	F-11194	Locking Ring
5	—	F-10715	Locknut
6	35545B	F-10590	Gasket
7	—	F-10586	Centerpiece Hot
	—	F-10585	Centerpiece Cold
8	35721B 35233B	F-12376	Packing Ring
		—	Felt Packing
9	—	F-10589	Sleeve
10	36738B	F-10592	Seat Ring
11	15117E 15118E	F-12536 F-12535	Stem L.H. Hot Stem R.H. Cold
12	15119E 15120E	FB-8552 FB-8553	Dial-Ese Unit L.H. Dial-Ese Unit R.H.
	—	F-12560	Handle Adapter (20 per Pak) <i>Not Illustrated</i>



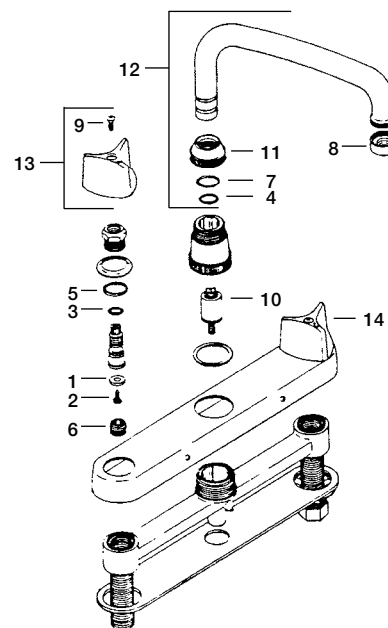
REPAIRS FOR

CRANE

KITCHEN FAUCET

Models Riviera R8700, R8700A, R8700 AH, R8700AH2, R8702A, R8702AH, R8702AH2

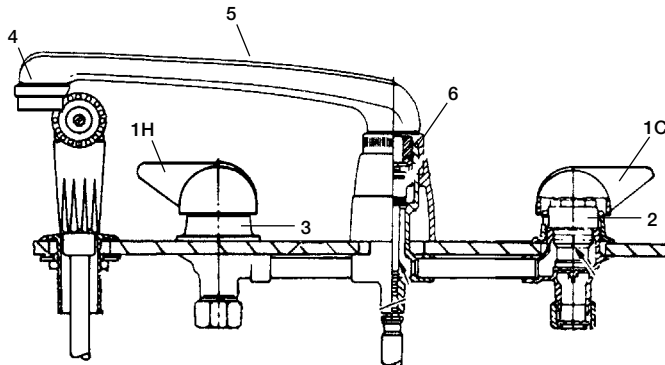
Item No.	Stock No.	OEM Ref No.	Description
1	35074B	F14246	1/4M Flat Bibb Washer
2	35141B	F14223	Bibb Screw Brass
	—	F14223	Monel Bibb Screw
3	35725B	F14332	Stem O-Ring
4	35728B	F13289	Spout O-Ring
5	35564B	F14282	Cap Thread Gasket
6	30105E	F14301	Bibb Seat Brass
7	—	F13201	Swing Spout Friction Ring
8	10481	FA11923	15/16 Female Aerator
9	35649B	F16817	Handle Screw
10	—	FB10974	Spray Diverter
11	—	—	Spout Nut
12	—	FB9198	Spout Assembly
13	—	F16795	Hot Handle
14	—	F16797	Cold Handle
15	15905E	FB9137	Stem with Bonnet R.H. Hot & Cold



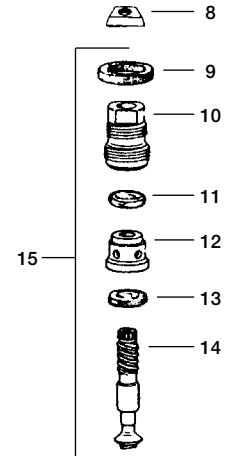
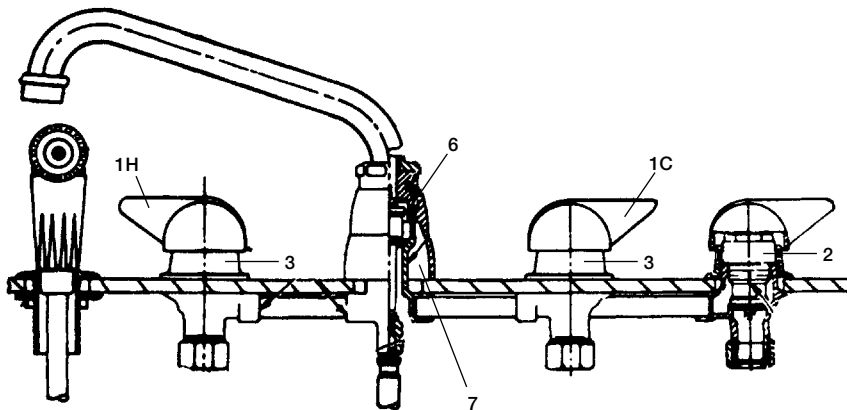
CRANE

KITCHEN TWO-VALVE & THREE-VALVE SPRAY FAUCET

Series 8-88, Embassy 8-88, 8-88A, 8-89, 8-89A



Embassy

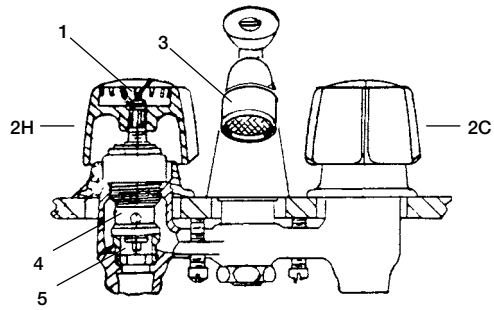


Item No.	Stock No.	OEM Ref No.	Description
1H	—	FB-8159	Handle Sub-Assembly <i>Hot</i>
1C	—	FB-8160	Handle Sub-Assembly <i>Cold</i>
—	—	—	Handle Sub-Assembly (1) Pair
—	—	FB-8121	Four-Arm Handle Sub-Assembly
2	—	F-10715	Locknut
3	—	F-11743	Flange
4	35771B	F-13127	Spout O-Ring
5	—	F-10979	Embassy Spout Unit Assembly
6	35732B	F-11682	Spout O-Ring
7	—	FB-8290	Diverter (<i>Upper</i>)
—	—	FB-8290	Diverter (<i>Lower</i>)
8	—	F-12560	Handle Adapter (<i>20 per Pak</i>)
9	35545B	F-10590	Gasket
10	—	F-10586	Centerpiece <i>Hot</i>
—	—	F-10585	Centerpiece <i>Cold</i>
11	35721B	F-12376	Packing Ring
—	35233B	—	Felt Packing
12	—	F-10589	Sleeve
13	36738B	F-10592	Seat Ring
14	15117E	F-12536	Stem L.H. <i>Hot</i>
—	15118E	F-12535	Stem R.H. <i>Cold</i>
15	15119E	FB-8552	L.H. Dial-Ese Unit
—	15120E	FB-8553	L.H. Dial-Ese Unit

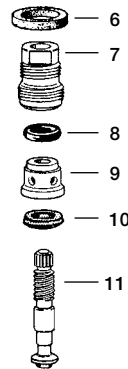
REPAIRS FOR

CRANE

LAVATORY FAUCET



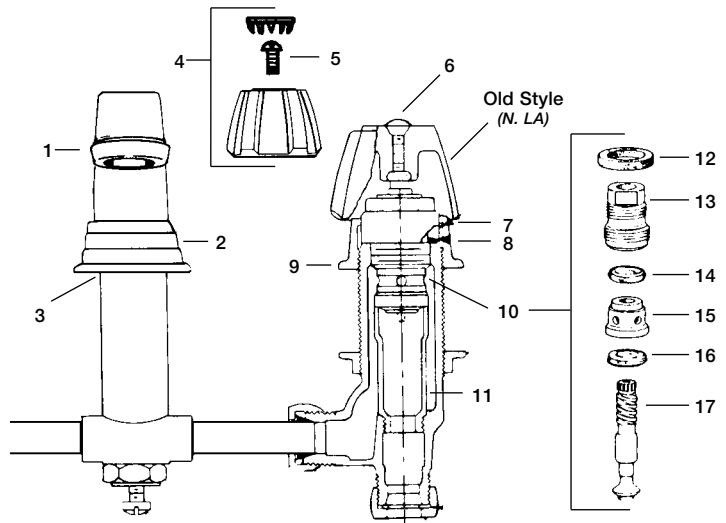
Item No.	Stock No.	OEM Ref No.	Description
1	—	F-15340	Handle Screw
2H	—	—	Handle <i>Hot</i>
2C	—	—	Handle <i>Cold</i>
	—	—	(1) Pair of Handles
3	10483	F-13834	15/16M Aerator
4	15119E	FB-8173	Stem with Bonnet L.H. Hot & Cold
5	—	F-13942	Seat Extension
6	35545B	F-10590	Cap Thread Gasket
7	—	F-10585	Centerpiece <i>Hot & Cold</i>
8	35721B	F-12376	Stem O-Ring
	35233B	F-12376	Felt Packing Ring
9	—	F-10589	Sleeve <i>Hot & Cold</i>
10	36738B	F-10592	Seat Ring
11	15117E	F-12535	Stem L.H. Hot & Cold



REPAIRS FOR

CRANE

WIDE SPREAD LAVATORY FAUCET



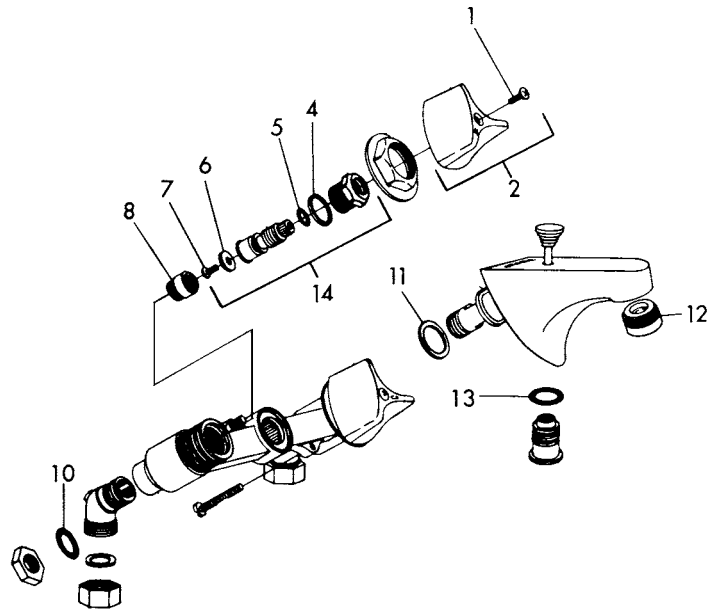
Item No.	Stock No.	OEM Ref No.	Description
1	10483	FA-9988	Aerator
2	—	F-11255	Spout Escutcheon
3	—	F-11348	Spout Gasket
4	—	F-13819	Hot Handle (<i>New Style</i>)
	—	F-13818	Cold Handle (<i>New Style</i>)
	—	—	(1) Pair Handles (<i>New Style</i>)
5	—	—	Handle Screw (<i>New Style</i>)
6	—	F-13828	Handle Screw
7	—	F-10715	Locknut
8	35545B	F-10590	Gasket
9	—	F-11743	Flange
10	15119E	FB-8173	Dial-Ese Trim <i>Left and Right</i>
11	—	F-10703	Seat Extension
12	35545B	F-10590	Gasket
13	—	F-10585	Centerpiece <i>Hot & Cold</i>
14	35721B	F-12376	Stem O-Ring
	35233B	F-12376	Felt Packing Ring
15	—	F-10589	Sleeve
16	36738B	F-10592	Seat Ring
17	15117E	F-12535	Stem <i>Hot or Cold</i>

REPAIRS FOR

CRANE

LAVATORY FAUCET

Series **Riviera R-8002A**



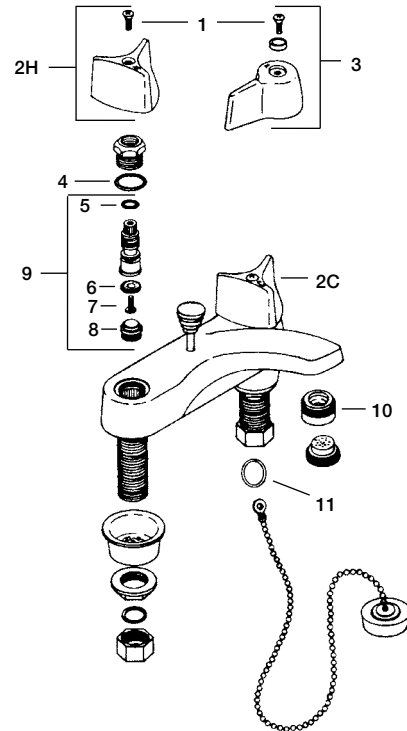
Item No.	Stock No.	OEM Ref No.	Description
1	35649B	F16817	Screw
2	—	F16795	Hot Index Handle
	—	F16797	Cold Index Handle
	—	—	(1) Pair Index Handles
4	35564B	F14282	Gasket
5	35725B	F14332	O-Ring
6	35064B	F14246	1/4 Flat Bibb Washer
7	—	F14223	Screw
8	—	F13940	Seat (10 per Pak)
10	35729B	F13975	O-Ring
11	35564B	F11348	Gasket
12	10483	FB9137	15/16M Aerator
13	35723B	F13206	O-Ring
14	15905E	FB9137	Stem R.H. Hot or Cold

REPAIRS FOR

CRANE

LAVATORY FAUCET

Series **Riviera R8020, R8020A, R8020AM, R8040, R8040A, R8030A with Chain & Stopper**

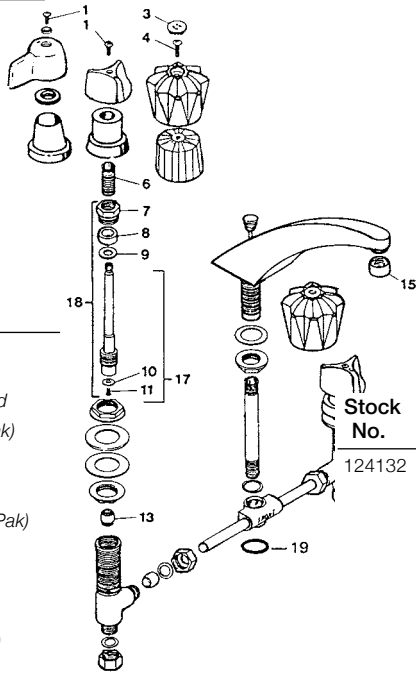


Item No.	Stock No.	OEM Ref No.	Description
1	35649B	F16817	Handle Screw
2H	—	F16795	Hot Handle
2C	—	F16797	Cold Handle
3	—	—	Lever Handles
4	35564B	F14282	Cap Thread Gasket
5	35725B	F14332	O-Ring
6	35064B	F14246	1/4 Flat Bibb Washer
7	35141B	F14223	Bibb Screw
8	30105E	F14301	Bibb Seat
9	15905E	FB9137	Stem with Bonnet R.H. Hot & Cold
10	10483	FA11899	15/16M Aerator
11	—	F14331	Chain Ring

REPAIRS FOR

CRANE

RIVIERA WIDE SPREAD LAVATORY FAUCET



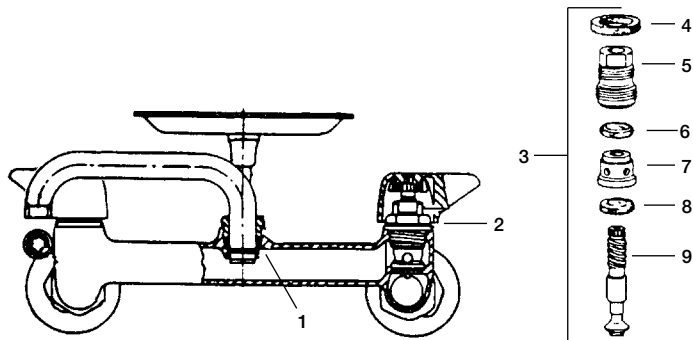
Item No.	Stock No.	OEM Ref No.	Description
1	35649B	F-16817	Screw
3	—	F-13744	Index Button <i>Hot</i>
	—	F-13745	Index Button <i>Cold</i>
4	—	F-16968	Screw (10 per Pak)
6	—	F-14294	Sleeve
7	—	F-14204	Cap Nut
8	35244Z	F-14213	Packing (10 per Pak)
9	36616B	F-14279	Stem Washer
10	35065B	F-14273	Seat Washer
11	—	F-14223	Screw
13	—	F-14303	Seat (10 per Pak)
15	10483	FA-11923	Aerator
17	17105E	FB-9261	Stem R.H. Hot & Cold
18	17106E	—	Stem Unit R.H.
19	35545B	F-11292	Gasket

Stock No.	OEM Ref No.	Description
124132	—	Stem Repair Kit
<i>Contains:</i>		
		(1) 35064 Bibb Washer
		(1) 35349 Brass Washer
		(1) 17733 Fiber Washer
		(1) 35065 Washer
		(1) 35141 Brass Bibb Screw
		(1) 30105 Brass Bibb Seat
		(1) 17670 Cap Thread Gasket
		(1) 35544 Cap Thread Gasket
		(1) 36610 Packing
		(1) 35244 Packing
		(1) 36630 Packing
		(1) 35755 O-Ring
		(1) 36616 Friction Ring

REPAIRS FOR

CRANE

EMBASSY WALL MOUNTED SINK



Item No.	Stock No.	OEM Ref No.	Description
1	—	F-8939	Spout Locking Ring
2	—	F-10584	Locknut
3	15120E	FB-8552	Dial-Ese Stem <i>Cold</i>
	15119E	FB-8553	Dial-Ese Stem <i>Hot</i>
4	35545B	F-10590	Gasket
5	—	F-10586	Centerpiece <i>Hot</i>
	—	F-10585	Centerpiece <i>Cold</i>
6	35721B	F-12376	Packing Ring
	35233B	—	Felt Packing
7	—	F-10589	Sleeve
8	36738B	F-10592	Seat Ring
9	15117E	F-12536	Stem <i>Hot</i>
	15118E	F-12535	Stem <i>Cold</i>

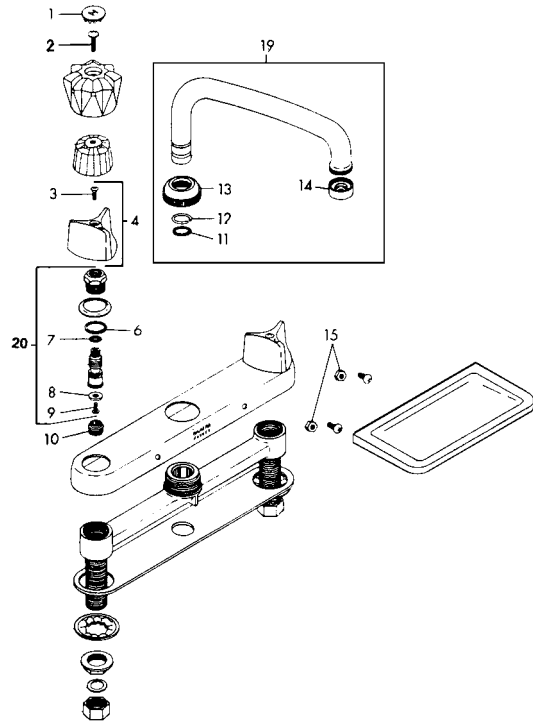
REPAIRS FOR

CRANE

RIVIERA FAUCET

Series R-8704A, R-6704, R-8704AH, R-8704AH2,
R-8706A, R-8706AH, R-8706AH2

Item No.	Stock No.	OEM Ref No.	Description
1	—	F13744 F13745	Index Button <i>Hot</i> Index Button <i>Cold</i>
2	—	F16968	Handle Screw (10 per Pak)
3	35649B	F16817	Screw
4	—	F16795 F16797	Index Handle <i>Hot</i> Index Handle <i>Cold</i>
	—	—	(1) Pair Handles
6	35564B	F14282	Gasket
7	35725B	F14332	O-Ring
8	35064B	F14246	1/4 Flat Bibb Washer
9	—	F14223	Screw
10	30105E	F14301	Seat
11	35728B	F13289	O-Ring
12	—	F13201	Split Ring
14	10481	FA11923	Aerator
15	—	F16600	Nut
19	—	FB11160	Spout S.A.
20	15905E	FB9137	Stem Unit RH Hot or Cold

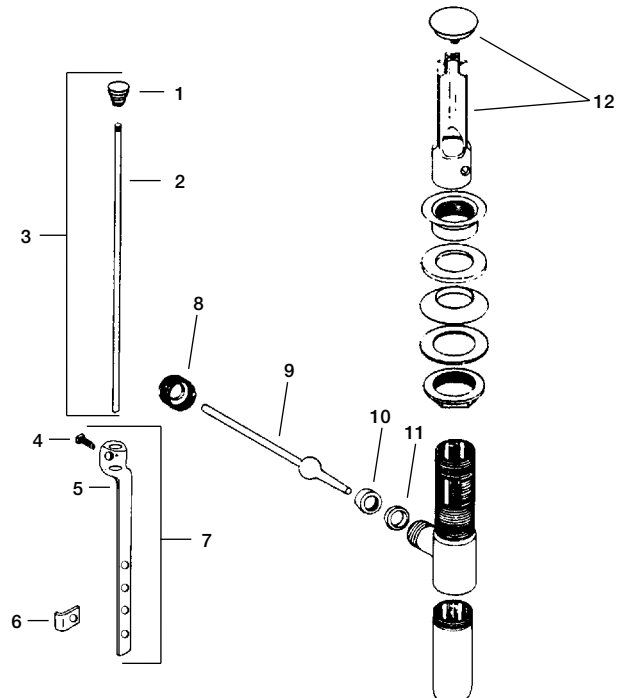


REPAIRS FOR

CRANE

RIVIERA POP-UP WASTE

Item No.	Stock No.	OEM Ref No.	Description
1	—	F17040	Knob Only
2	—	—	Lift Rod
3	88961	—	Lift Rod & Knob (<i>carded</i>)
4	—	F14141	Square Head Screw
5	—	F15079	Lift Rod Extension (<i>bulk</i>)
6	34808B	F17070	Fulcrum Rod Clip
7	—	FB11009	Lift Rod
8	34667K	F17068	Ball Retaining Cap
9	—	FB9814	Fulcrum Rod and Ball
10	34814B	F17069	Pop-Up Seat & Gasket
11	—	F17066	Packing Ring
12	—	FB11029	Stopper

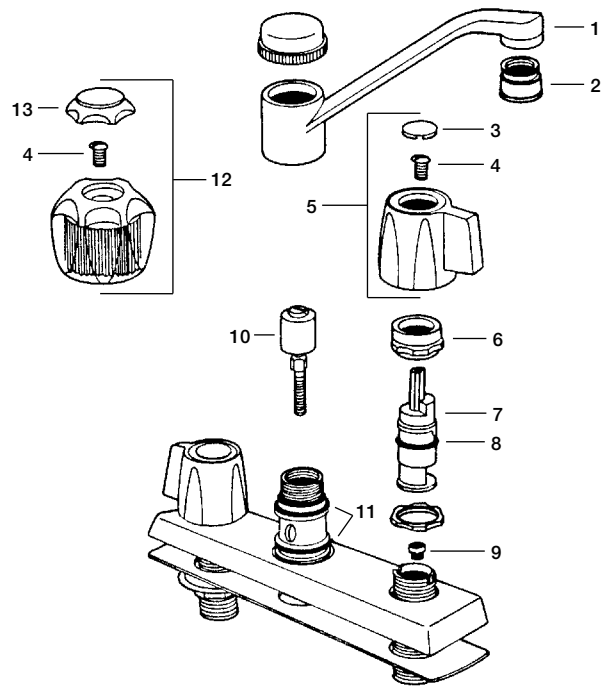


REPAIRS FOR

DELTA

KITCHEN FAUCET

Models 2100, 2102, 2400, 2402



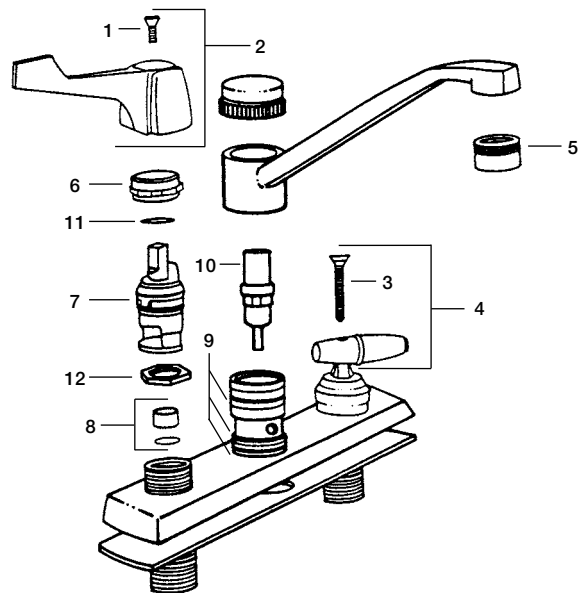
Item No.	Stock No.	OEM Ref No.	Description
1	—	RP5650	Spout Assembly
2	10483	RP330	15/16M Aerator
3	—	RP2412	Index Button <i>Hot</i>
4	—	RP2412	Index Button <i>Cold</i>
5	35153B	RP5885	Handle Screw
6	88048	RP6062	(1) Pair Handles
7	17833B	RP6060	Bonnet Cap Hot & Cold
8	16030B	RP1740	Stem with Bonnet R.H. Hot & Cold
9	35784B	—	Cap Thread O-Ring
10	80684	RP4993	Seats & Springs <i>Generic</i>
11	—	RP6073	Spray Diverter
12	35776B	RP2055	Spout O-Ring Thin
	35741B	RP2055	Spout O-Ring Thick 2 Required
13	88049	RP6062	(1) Pair Handles
	26021B	RP5692	Index Button <i>Hot</i>
	26022B	RP5692	Index Button <i>Cold</i>
	35745B	—	Stem O-Ring <i>Not Illustrated</i>

REPAIRS FOR

DELTA

KITCHEN FAUCET

Heavy Duty Workforce Models 2100HDF, 2109HDF, 2400HDF



Item No.	Stock No.	OEM Ref No.	Description
1	—	RP12490	Handle Screws (Red & Blue)
2	—	RP7404	Handle Assembly Hot or Cold
3	—	RP7527	Handle Screw
4	—	RP11768HDF	(1) Pair Handles
5	10483	RP246	15/16M Aerator
6	17833B	RP6060	Bonnet Cap Hot & Cold
7	17464B	RP8230	Stem R.H. Hot or Cold
8	—	RP10700	Seats & Seals
9	35741B	RP2055	Spout O-Ring 3 Required
10	—	RP6073	Spray Diverter
11	35745B	—	Stem O-Ring
12	—	RP6064	Locknut Pair

DELTA

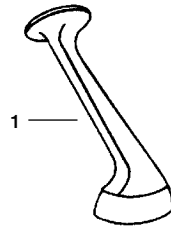
KITCHEN FAUCET

Models

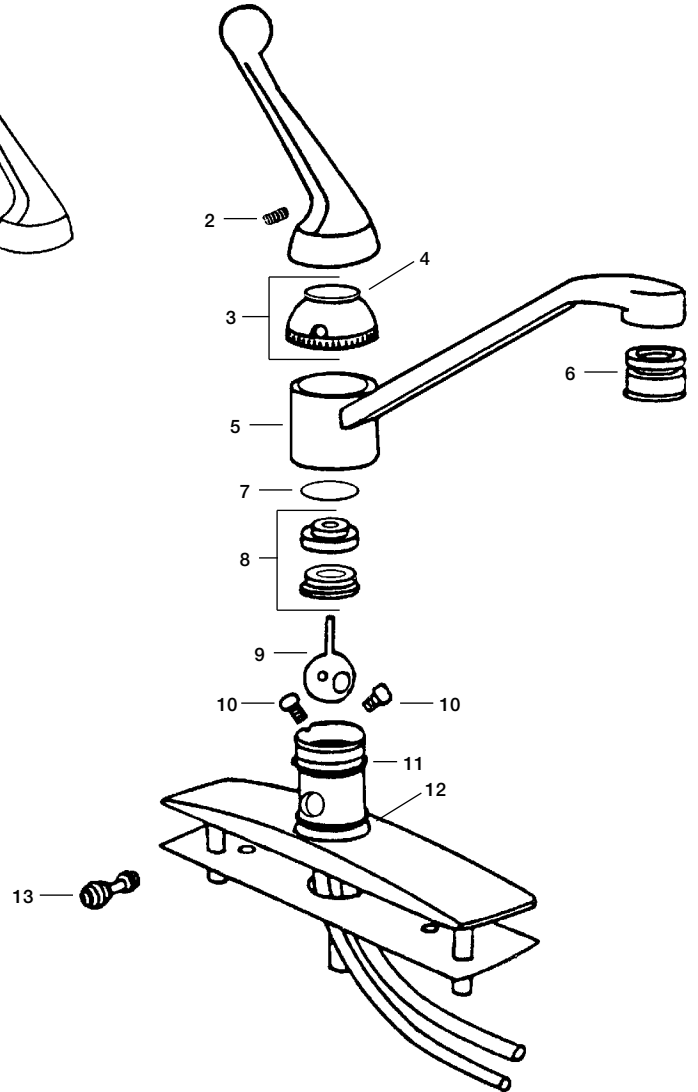
Deck & Center Mount 100HDF, 120HDF, 420HDF

Single Mount 101HDF, 111HDF, 175HDF

Wall Mount 200HDF, 275HDF



80684
DL-9 Seats & Springs for Delta/Peerless
 Repairs Faucets Manufactured After to 1976
 OEM Ref. #4993



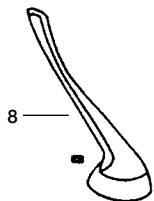
Item No.	Stock No.	OEM Ref No.	Description
1	10420	RP2393	Replacement Handle
2	—	RP152	Set Screw
3	88756	RP50	Cap Assembly
4	80965	RP250	Adjusting Ring
5	—	RP5654	8" Spout
6	10483	RP246	15/16M Aerator
7	—	RP6044	Slip Ring
8	88104	RP61	Cam Assembly <i>Generic</i>
9	88119	RP10797	Stainless Steel Ball <i>(carded)</i>
10	80684 18003B	RP4993 —	Seat & Spring Assembly (1) Seat Only
11	35739B	RP25	O-Ring
12	35748B	—	O-Ring
13	80093E	RP320	Spray Diverter
14	— 73115B	RP1974 RP6001	Wrench Faucet Shank Nut <i>Not Illustrated</i>

Bagged No.	Carded No.	Description
—	80973	DE-11 Faucet Repair Kit
	<i>Contains:</i>	(2) 35739 O-Ring (2) 35748 O-Ring
30766 Q	<i>(25 per Pak)</i> 80701	DE-3 Faucet Repair Kit
	<i>Contains:</i>	(2) 35739 O-Ring (2) 35748 O-Ring (1) 30728 Cam Assembly (2) 30769 Seat & Spring Assembly (1) 30765 Hex Wrench
—	88121	DE-101 Faucet Repair Kit

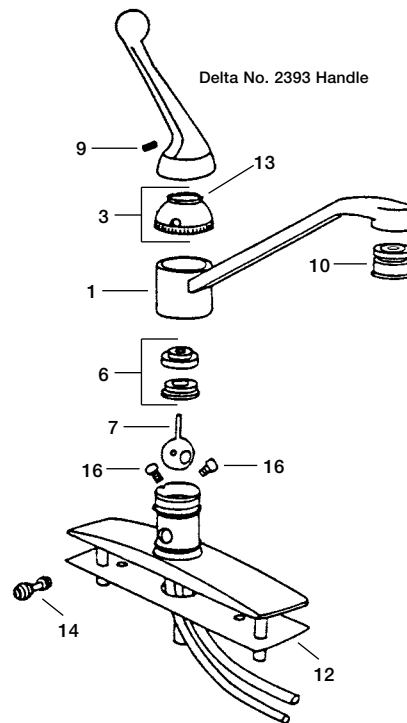
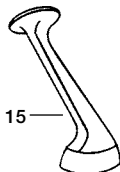
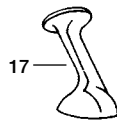
DELTA

KITCHEN FAUCET

Models
 Deck & Center Mount 100, 120, 300, 350, 400, 420, 450
 Single Mount 101, 111, 175
 Wall Mount 200, 250, 275



Delta
No. 90
Handle



Item No.	Stock No.	OEM Ref No.	Description
1	—	10-8	8" Spout
	—	10-10	10" Spout
2	35739B	25	Spout O-Ring
	35748B	—	Spout O-Ring
3	88756	RP50	Cap Assembly
6	88104	61	Cam Assembly <i>Generic (carded)</i>
7	88119	70	Ball Assembly <i>Stainless Steel</i>
8	80968	90	Replacement Handle
9	88756	152	Set Screw
10	10483	330	15/16 Male Aerator
11	—	216	Assembly Wrench
12	—	237	Escutcheon Gasket
13	80965	250	Adjusting Ring
14	80093E	320	Spray Diverter <i>Brass (carded)</i>
15	10420	2393	Replacement Handle
16	80703	134	Seat & Spring Assembly (Before 1976)
	80684	4993	Seat & Spring Assembly (After 1976)
	18003B	—	(1) Seat (After 1976)
	—	—	(1) Pair Seats (After 1976)
	30758B	—	(1) Seat (Before 1976) 2 Required
	18013B	—	(1) Spring (Conical) (After 1976) (20 per Pak)
	—	1181	(1) Spring (Before 1976) 2 Required
17	10421	5645	Blade Handle Assembly
	35742B	—	Spray Diverter O-Ring <i>Not Illustrated</i>

DELTA

Kitchen Faucet Repair Kit 86970
 Used on Most Popular Kitchen Faucets
 with Lever Style Handles
 Manufactured Prior to 1976



80684
DL-9 Seats & Springs for Delta/Peerless
 Repairs Faucets Manufactured After 1976
 OEM Ref. #4993



80703
DL-4 Seats & Springs for Delta
 Repairs Faucets Manufactured prior to 1976
 OEM Ref. #134



Bagged No.	Carded No.	Description
Repair Kits for Faucets Manufactured Before 1976		
30766Q	(25 per Pak) 80701	DE-3 Faucet Repair Kit
	<i>Contains:</i>	(2) 35739 O-Ring (2) 35748 O-Ring (1) 30728 Cam Assembly (2) 30769 Seat & Spring Assembly (1) 30765 Hex Wrench
—	88121	DE-101 Faucet Repair Kit
—	86970	Kitchen Faucet Repair Kit
	<i>Contains:</i>	(2) 35739 O-Ring (2) 35748 O-Ring (1) 30728 Cam Assembly (1) 30769 Seat & Spring Assembly (1) 88119 #70 SS Ball Assembly (1) 30765 Hex Wrench
—	80732	Lavatory Faucet Repair Kit
	<i>Contains:</i>	(1) 30728 Cam Assembly (2) 30734 Seat & Spring Assembly (1) 30765 Hex Wrench

Bagged No.	Carded No.	Description
Repair Kits for All Faucets Regardless of Year of Manufacture		
—	80973	DL-15 Spout Repair Kit
	<i>Contains:</i>	(2) 35739 O-Ring (2) 35748 O-Ring
—	86978	Faucet Repair Kit
	<i>Contains:</i>	(2) 35739 O-Ring (2) 35748 O-Ring (1) 35742 O-Ring (1) 30728 Cam Assembly (2) 30734 Seat & Spring Assembly (2) 18013 Conical Spring (2) 18063 Seat (1) 30765 Hex Wrench
—	86968	Faucet Repair Kit
	<i>Contains:</i>	(2) 30734 Seat & Spring Assembly (2) 30769 Seat & Spring Assembly

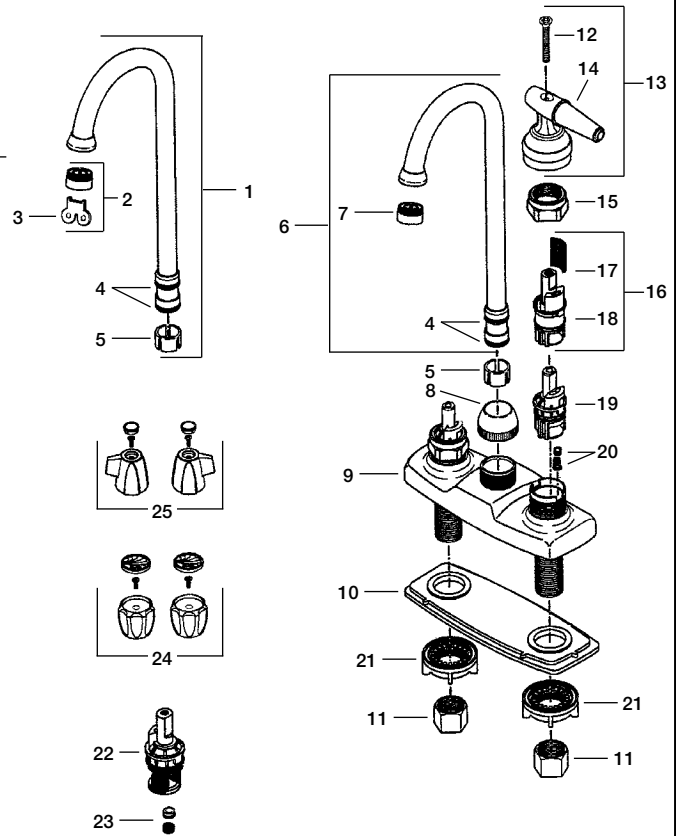
REPAIRS FOR

DELTA

BAR FAUCET

Series 2170, 2171, 2172

Item No.	Stock No.	OEM Ref No.	Description
1	—	RP22004	Spout Assembly
2	—	RP20996	Vandal-Resistant Aerator with Wrench
3	—	RP6420	Aerator Wrench
4	35728B	RP6365	Spout O-Ring
5	—	RP21963	Spout Bushing
6	—	RP6199	Spout Assembly
7	—	RP6100	Aerator
8	—	RP6197	Spout Nut
9	—	RP6193	Escutcheon
10	—	RP6195	Undercover Plate
11	—	RP5861	Coupling Nut
12	—	PR12492	Handle Screw
13	—	RP11768HDF	(1) Pair Handles
14	—	RP22200	Handle Bands (Red & Blue)
15	17833B	RP6060	Bonnet Nuts
16	—	RP25513	Stem Assembly Brass with Stop and Stainless Steel Plate
17	—	RP24097	1/4-Turn Stop
18	—	RP24096	Stem Assembly Brass with Stop and Stainless Steel Plate
19	16219B	RP1740	Stem Assembly OEM Plastic with Stop and Stainless Steel Plate
	10405	—	Stem Assembly Plastic
20	80684	RP4993	Seats and Springs
21	73114B	RP6183	Locknut
22	17464B	RP8230	Ceramic Stem Assembly Hot/Cold
23	—	RP10700	Ceramic Seats, O-Rings & Springs
24	—	H21	(1) Pair Handles
25	88048	H28	(1) Pair Handles



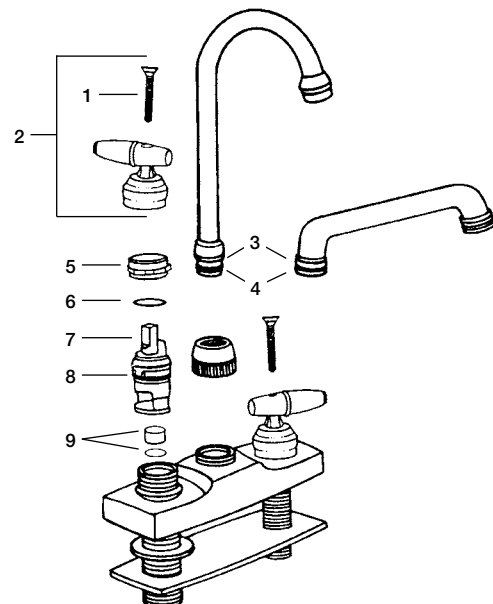
REPAIRS FOR

DELTA

BAR AND LAVATORY FAUCETS

Heavy Duty Workforce Models 2171 HDF, 2121HDF, 2123HDF

Item No.	Stock No.	OEM Ref No.	Description
1	—	RP12492	Handle Screw
2	—	RP11768HDF	(1) Pair Handles
3	—	RP6201	Swing Spout Friction Ring
4	35728B	RP6365	Spout O-Ring
5	17833B	RP6060	Bonnet Cap Hot & Cold
6	35745B	—	O-Ring
7	17464B	RP24096	Stem R.H. Hot or Cold
8	35784B	—	Cap Thread O-Ring
9	—	RP10700	Seats & Seals

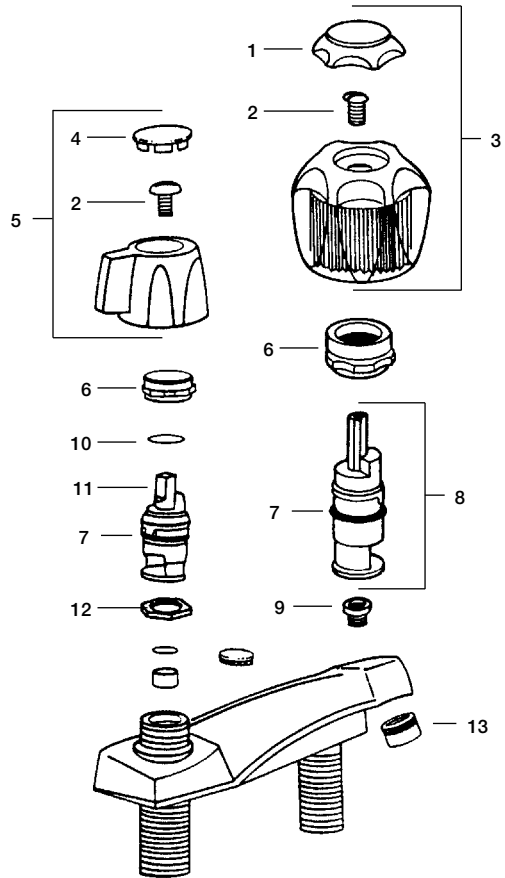


DELTA

LAVATORY FAUCET

Models 2500, 2502, 2520, 2522

Heavy Duty Workforce Models 2500 HDF, 2520 HDF, 2523 HDF, 2529 HDF



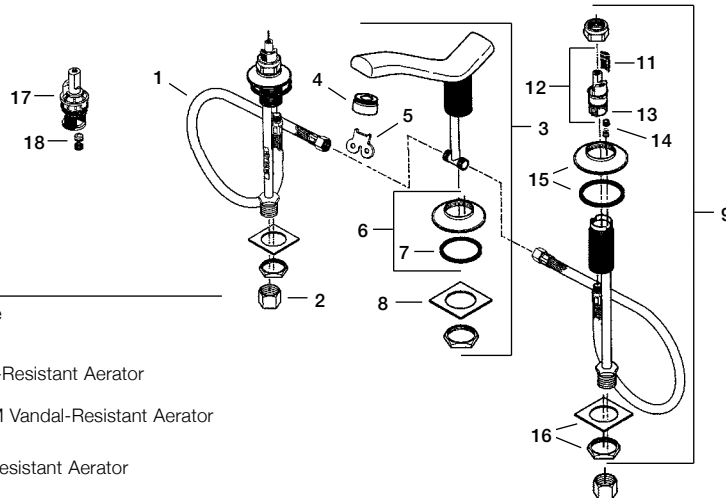
Item No.	Stock No.	OEM Ref No.	Description
1	26021B 26022B	— —	Index Button <i>Hot</i> Index Button <i>Cold</i>
2	35153B —	119 6401	Handle Screw Blue & Red Handle Screws
3	— — 88049	19660 19660 —	Acrylic Handle <i>Hot</i> Acrylic Handle <i>Cold</i> (1) Pair Handles <i>Acrylic</i>
4	— —	1725 1726	Index Button <i>Hot</i> Index Button <i>Cold</i>
5	88048	—	(1) Pair Canopy Lever Handles
6	17833B	6060	Bonnet Cap
7	35784B	—	Cap Thread O-Ring
8	16030B 10405 16219B	1740 — —	Stem with Bonnet R.H. Hot & Cold with Seats & Springs <i>Plastic Bottom Generic</i> Stem with Bonnet R.H. Hot & Cold with Seats & Springs <i>Stainless Steel Bottom Generic</i> Stem with Bonnet R.H. Hot & Cold with Seats & Springs <i>Stainless Steel Bottom OEM</i>
9	17834B —	— —	Seats & Springs (1) Short Spring <i>Old-Style</i>
10	35745B	—	Stem O-Ring
11	17464B	—	Stem with Bonnet R.H. Hot & Cold (<i>Workforce</i>)
12	—	6183	Locknut
13	10483	330	15/16 Male Aerator

REPAIRS FOR

DELTA

WIDESPREAD LAVATORY FAUCET

Series 3501-WFHDF, 3509-WFHDF



Item No.	Stock No.	OEM Ref No.	Description
1	—	RP11887	Stainless Steel Supply Line
2	—	RP5861	Coupling Nut
3	—	RP20665	Spout Assembly w/Vandal-Resistant Aerator less-Pop-Up Hole
	—	RP20666	Spout Assembly w/.5 GPM Vandal-Resistant Aerator less Pop-Up Hole
4	—	RP246	0.5 GPM Female Vandal-Resistant Aerator
5	—	RP6420	Aerator Wrench
6	—	RP17741	Base with Gasket
7	—	RP6052	Gasket
8	—	RP6087	Nut and Washer
9	—	RP4258	End Valve Assembly
10	17833B	RP6060	Bonnet Nut
11	—	RP24097	1/4-Turn Stop
12	—	RP25513	Stem Assembly Brass with Stop and Stainless Steel Plate
13	—	RP24096	Stem Assembly Brass with Stop and Stainless Steel Plate

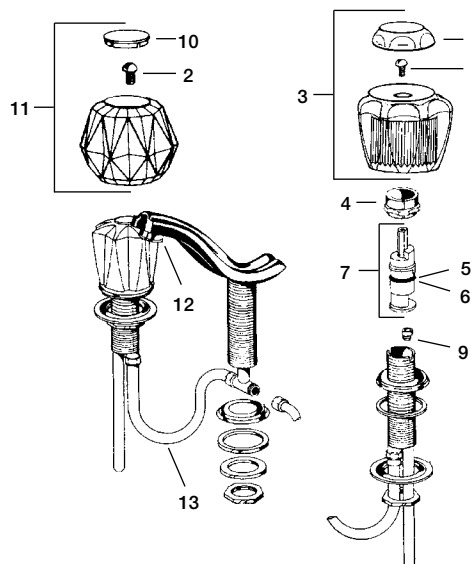
Item No.	Stock No.	OEM Ref No.	Description
14	80684	RP4993	Seats & Springs
15	—	RP10965	Base with Gasket
16	—	RP9519	Nut and Washer
17	17464B	RP8230	Ceramic Stem Assembly
18	—	RP10700	Ceramic Seats, O-Rings & Springs

REPAIRS FOR

DELTA

WIDESPREAD LAVATORY FAUCET

Series 3504, 3504G, 3504SG, 3524, 3524 MPU, 3524G, 3524SG, 3524CG, 3534, 3534MPU, 3534G, 3534SG, 952



Item No.	Stock No.	OEM Ref No.	Description
1	26021B	—	Index Button <i>Hot</i>
	26022B	—	Index Button <i>Cold</i>
2	—	119	Handle Screw
3	—	1718	Handle <i>Hot</i>
	—	1718	Handle <i>Cold</i>
	88049	—	(1) Pair Handles (<i>carded</i>)
4	17833B	1713	Bonnet
5	35784B	2055	Stem O-Ring
6	35584B	—	Washer
7	16030B	1740	Stem R.H. Hot or Cold <i>Generic</i>
	16219B	1740	Stem R.H. Hot or Cold <i>OEM</i>
9	18002B	—	(1) Short Spring <i>Old-Style</i>
	18013B	—	(1) Conical Spring <i>New-Style (20 per Pak)</i>
10	—	2405	Index Button <i>Hot</i>
	—	2407	Index Button <i>Cold</i>
11	—	2390	Handle <i>Hot</i>
	—	2390	Handle <i>Cold</i>
	88695	—	(1) Pair Handles (<i>carded</i>)
12	10483	330	15/16M Aerator
13	—	6050	Hose

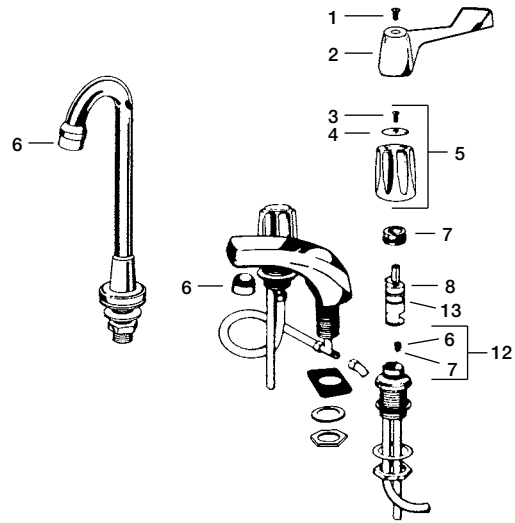
Stock No.	OEM Ref No.	Description
124134	—	Stem Repair Kit
	<i>Contains:</i>	(1) 35784 O-Ring
		(1) 35745 O-Ring
		(1) 35711 O-Ring
		(1) 18063 Rubber Seat
		(1) 35584 Cap Thread Gasket
		(1) 18013 Spring

REPAIRS FOR

DELTA

WIDESPREAD LAVATORY FAUCET

Series 3548, 3548 HDF, 3549, 3549 HDF, 3579, 3579 HDF, 3579 HDF WF



Item No.	Stock No.	OEM Ref No.	Description
1	—	RP 12490	Handle Screws (Red & Blue)
2	—	—	Pair Lever Handles
3	—	6379	Handle Screw
4	—	6377	(1) Pair Index Buttons
5	—	—	Handle Hot or Cold
6	—	246	Aerator (Vandal Resistant)
7	17833B	6060	Bonnet
8	16030B	1740	Stem R.H. Hot or Cold <i>Generic</i>
	16219B	1740	Stem R.H. Hot or Cold <i>OEM</i>
	17464B	8230	Stem Unit for <i>Workforce</i> Hot or Cold
10	18003B	—	Seats
11	18013B	—	Springs (20 per Pak)
12	—	—	(2) each Seats & Seals for <i>Workforce</i>
13	35784B	—	Stem O-Ring
	35745B	—	Internal Stem O-Ring <i>Not Illustrated</i>
	35711B	—	Internal Stem O-Ring <i>OEM Not Illustrated</i>
	35584B	—	Internal Stem O-Ring <i>Not Illustrated</i>

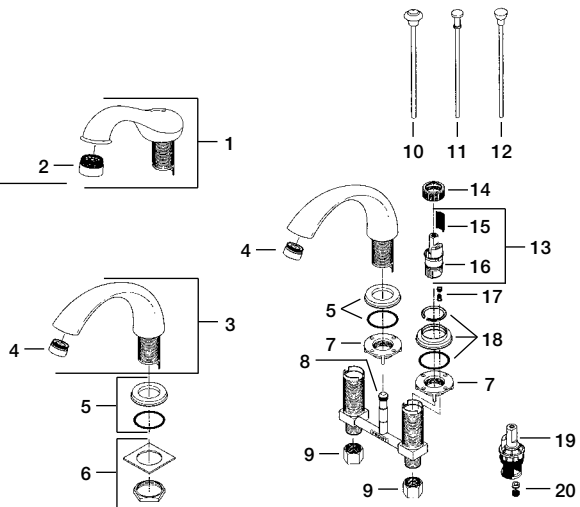
Stock No.	OEM Ref No.	Description
124134	—	Stem Repair Kit
	<i>Contains:</i>	(1) 35784 O-Ring
		(1) 35745 O-Ring
		(1) 35711 O-Ring
		(1) 18063 Rubber Seat
		(1) 35584 Cap Thread Gasket
		(1) 18013 Spring

REPAIRS FOR

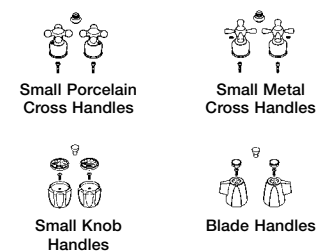
DELTA

WIDESPREAD LAVATORY FAUCET

Series 4530, 4577



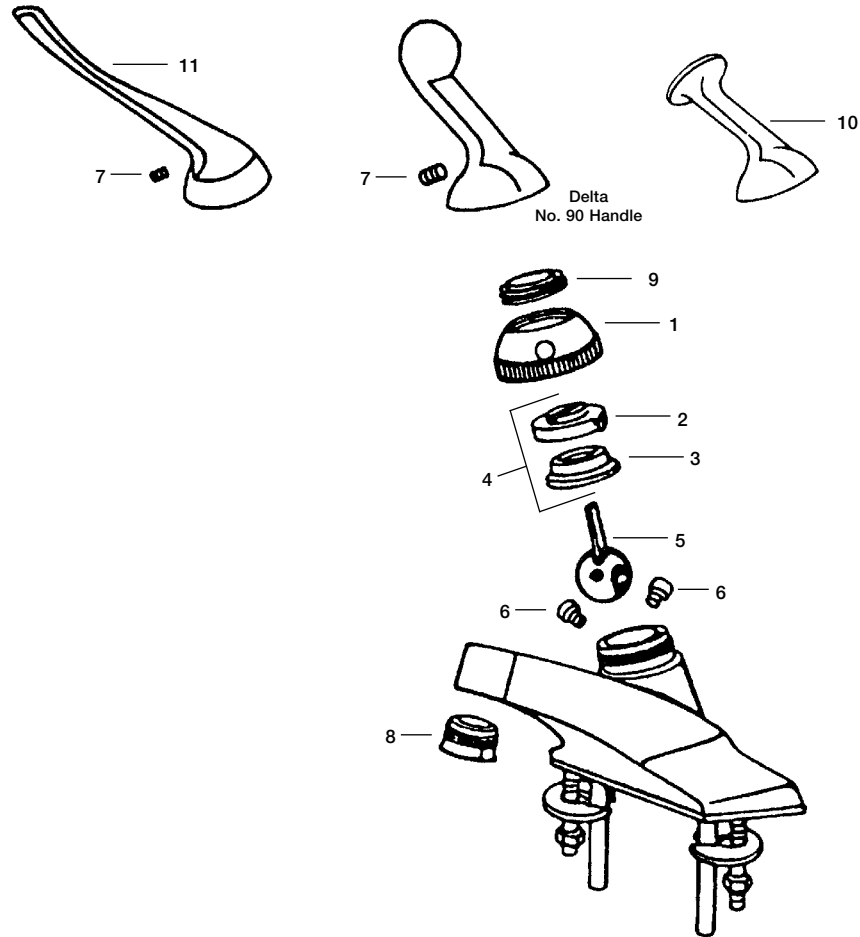
Item No.	Stock No.	OEM Ref No.	Description
1	—	RP30399	Spout Assembly
2	10483	RP330	Aerator
3	—	RP26140	Spout Assembly
4	—	RP18508	Aerator
5	—	RP26147	Base with Gasket
6	—	RP6087	Nut & Washer
7	—	RP26149	Locknut
8	—	RP13938	O-Ring
9	—	RP5861	Coupling Nuts
10	—	RP26151	Lift Rod
11	—	RP26150	Lift Rod <i>Polished Brass</i>
12	—	RP30944	Lift Rod
13	—	RP25513	Stem Assembly <i>Brass</i> with Stop and Stainless Steel Plate
14	—	RP26148	Bonnet Nuts
15	—	RP24097	1/4 Turn Stop
16	—	RP24096	Stem Assembly <i>Brass</i> with Stop and Stainless Steel Plate
17	80684	RP4993	Seats & Springs Assembly
18	—	RP26146	Handle Base, Snap Ring & Gasket <i>Polished Brass</i>
19	17464B	RP8230	Ceramic Stem Assembly Hot/Cold
20	—	RP10700	Ceramic Seats, O-Rings and Springs



DELTA

LAVATORY FAUCET

Models 500, 500 HDF, 501, 501 HDF, 510, 515, 515 HDF, 520, 520 HDF, 520 MPU, 523, 523 HDF, 530



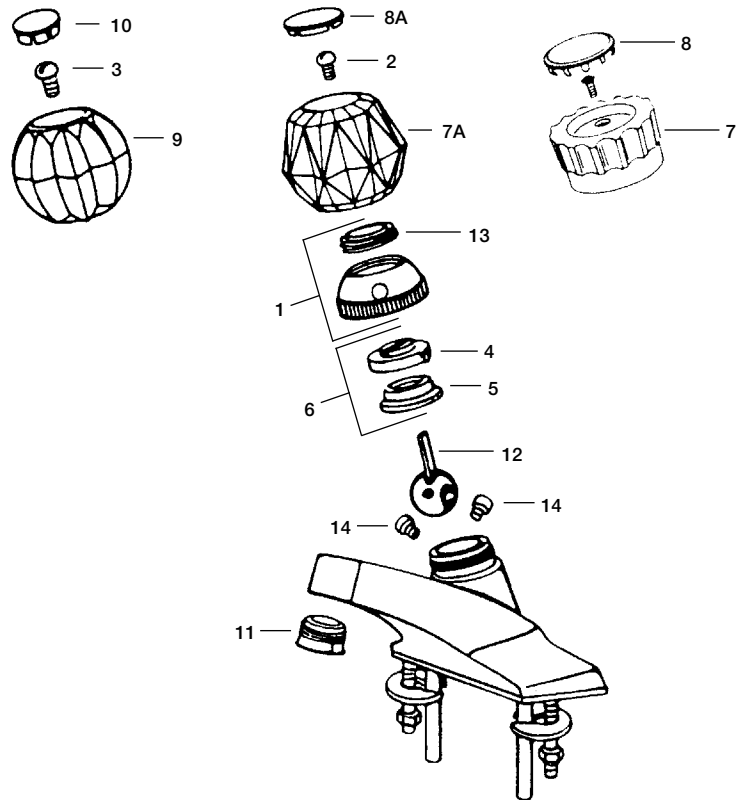
Item No.	Stock No.	OEM Ref No.	Description
1	88756	50	Cap Assembly
2	—	1165	Cam (20 per Pak)
3	—	251	Cam Packing
4	88104	61	Cam Assembly
5	88119	70	Ball Assembly <i>Stainless Steel</i>
	—	10797	Metallic Ball (for HDF Models)
6	80703	134	Seat & Spring Assembly (Before 1976)
	80684	4993	Seat & Spring Assembly, <i>Generic</i> (After 1976)
	18003B	—	(1) Seat (After 1976)
	30758B	—	(1) Seat (Before 1976) 2 Required
	18013B	—	(1) Spring (Conical) (After 1976)
	—	1181	(1) Spring (Before 1976) 2 Required
7	—	152	Set Screw
8	10483	330	15/16 Male Aerator
9	80965	250	Adjusting Ring
10	80968	90	Replacement Handle (for Delta No. 90 Handle)
11	10421	5645	Handle Assembly

Bagged No.	Carded No.	Description
Repair Kits for Faucets Manufactured Before 1976		
—	86968	Faucet Repair Kit
		<i>Contains:</i>
		(2) 30734 Seat & Spring Assembly
		(2) 30769 Seat & Spring Assembly

DELTA

DELTIQUE LAVATORY FAUCET

Models 502, 503, 504, 512, 522, 524, 532, 806, 906

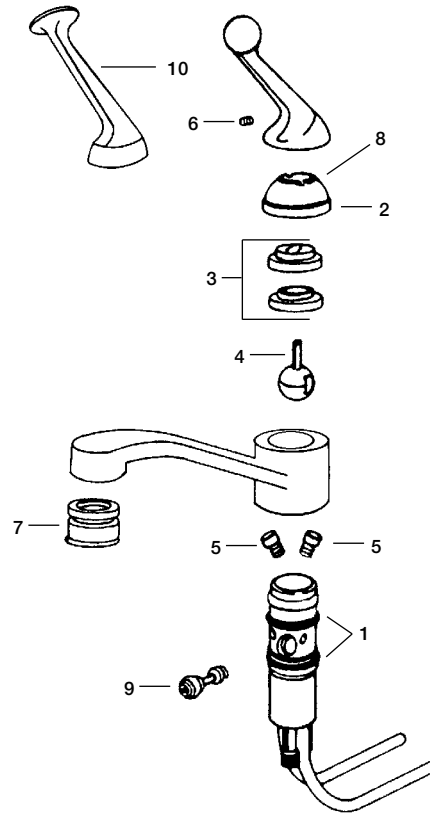


Item No.	Stock No.	OEM Ref No.	Description
1	88756	50	Cap Assembly
2		119	Handle Screw (10 per Pak)
3	35646B	6369	Handle Screw
4	—	1165	Cam
5	—	251	Cam Packing
6	88105	188	Cam Assembly
7	80967	194A	Handle <i>Old-Style</i>
7A	10305	17449	Handle <i>New-Style</i>
8	30764B	2411	Handle Button <i>Old-Style</i>
8A	88699	17446	Handle Button <i>New-Style</i>
9	—	4232	Handle Assembly with Cap & Screw
10	—	4233	Handle Button
11	10483	330	15/16 Male Aerator
12	88120	212	Ball Assembly <i>Stainless Steel Generic</i>
13	80965	250	Adjusting Ring
14	80703	134	Seat & Spring Assembly (Before 1976)
	80684		Seat & Spring Assembly
	18003B	—	(1) Seat (After 1976)
	—	—	(1) Pair Seats (After 1976)
	30758B	—	(1) Seat (Before 1976) 2 Required
	18013B	—	(1) Spring (Conical) (After 1976) (20 per Pak)
	—	1181	(1) Spring (Before 1976) 2 Required

DELTA

LAVATORY FAUCET

Models 570, 575, 525 HDF, 570 HDF, 575 HDF



Bagged No.	Carded No.	Description
------------	------------	-------------

Repair Kits for Faucets Manufactured Before 1976

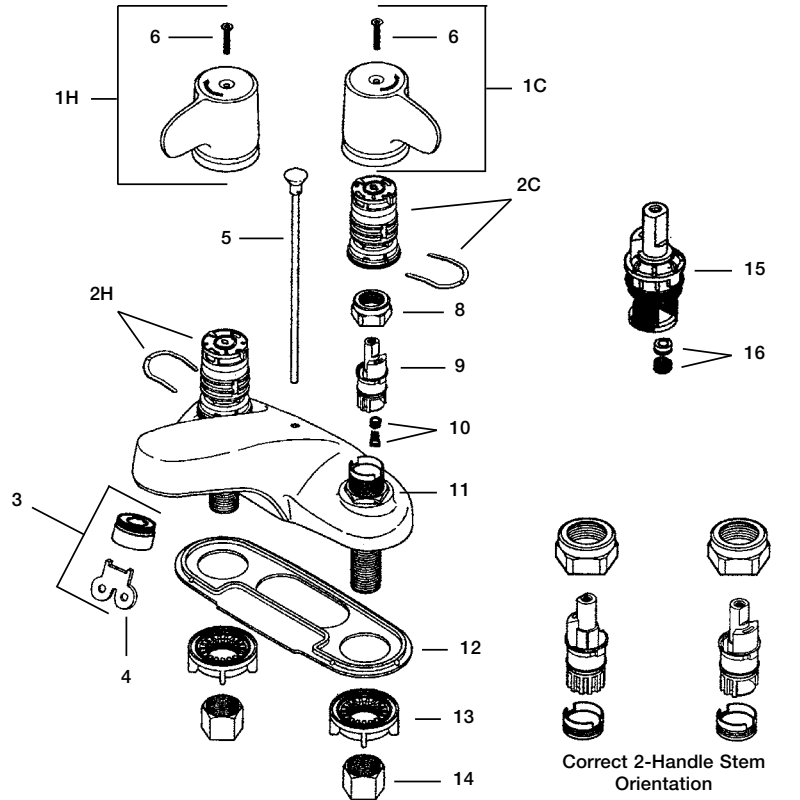
Item No.	Stock No.	OEM Ref No.	Description
1	35739B 35748B	RP25 RP34	#25 O-Ring #34 O-Ring
2	88756	50	Cap Assembly
3	88104	61	Cam Assembly
4	88119	70	Ball Assembly <i>Stainless Steel Generic</i>
5	80703	134	Seat & Spring Assembly (Before 1976) (<i>carded</i>)
	80684	4993	Seat & Spring Assembly (After 1976) (<i>carded</i>)
	18003B	—	(1) Seat (After 1976)
	—	—	(1) Pair Seats (After 1976)
	30758B	—	(1) Seat (Before 1976) 2 Required
	18013B	—	(1) Spring (Conical) (After 1976) (<i>20 per Pak</i>)
	—	1181	(1) Spring (Before 1976) 2 Required
6	—	RP152	Set Screw
7	10483	RP330	15/16M Aerator
8	80965	250	Adjusting Ring
9	80093E	RP320	Spray Diverter
10	80969	RP2393	Replacement Handle

30766Q	(25 per Pak) 80701	DE-3 Faucet Repair Kit
	<i>Contains:</i>	(2) 35739 O-Ring (2) 35748 O-Ring (1) 30728 Cam Assembly (2) 30769 Seat & Spring Assembly (1) 30765 Hex Wrench
—	88121	DE-101 Faucet Repair Kit
	<i>Same As 80701 but Contains OEM Parts</i>	
—	86970	Kitchen Faucet Repair Kit
	<i>Contains:</i>	(2) 35739 O-Ring (2) 35748 O-Ring (1) 30728 Cam Assembly (1) 30769 Seat & Spring Assembly (1) 88119 #70 Ball Assembly (1) 30765 Hex Wrench
—	80732	Lavatory Faucet Repair Kit
	<i>Contains:</i>	(1) 30728 Cam Assembly (2) 30734 Seat & Spring Assembly (1) 30765 Hex Wrench

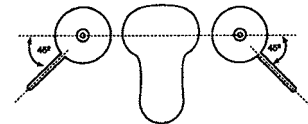
DELTA

SLOW-CLOSE LAVATORY FAUCET

Series 2508-HDF, 2518 HDF, 2528 HDF



NOTE
Correct Handle Orientation in OFF Position

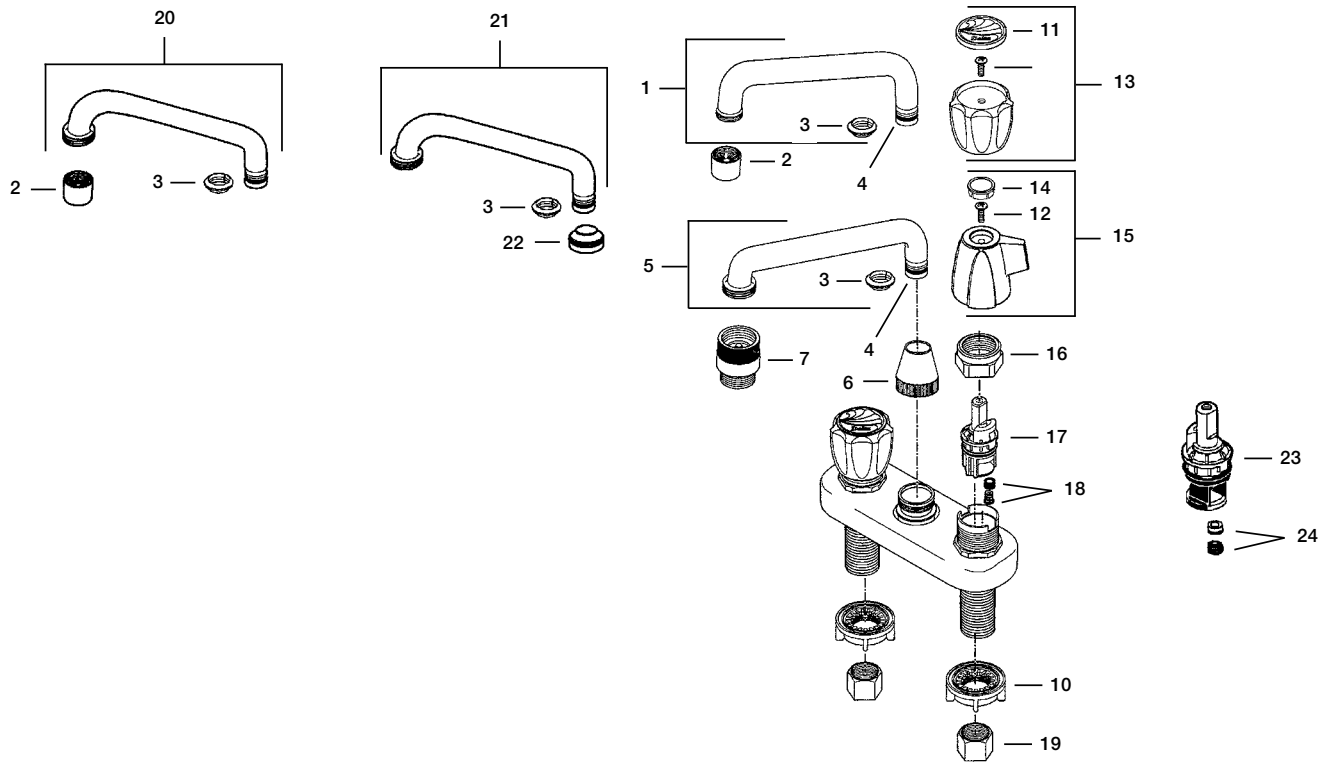


Item No.	Stock No.	OEM Ref No.	Description
1H	—	RP27312	Hot Handle
1C	—	RP27311	Cold Handle
2H	—	RP25493	Slow-Close Cartridge <i>Hot</i>
2C	—	RP25494	Slow-Close Cartridge <i>Cold</i>
3	—	RP31704	0.5 GPM Vandal-Resistant Aerator
4	—	RP6420	Aerator Wrench
5	88961	RP6146	Lift Rod
6	—	RP27310	Vandal-Resistant Screws (Red & Blue)
7	—	RP25706	Cartridge Clip
8	—	RP27507	Bonnet Nut
9	—	RP24096	Stem Assembly <i>Brass</i> with Stop and Stainless Steel Plate
10	80684	RP4993	Seat & Spring Assembly
11	—	RP6064	Locknut
12	—	RP19420	Gasket
13	73114B	RP6183	Locknut
14	—	RP5861	Coupling Nut
15	17464B	RP8230	Ceramic Stem R.H. Hot or Cold
16	—	RP10700	Ceramic Seats, O-Rings and Springs

DELTA

LAUNDRY FAUCET

Series 2121, 2123, 2131, 2133



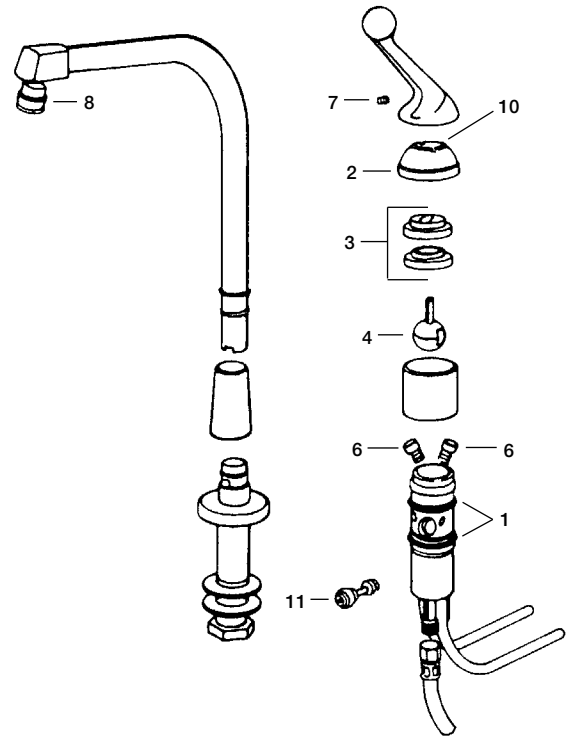
Item No.	Stock No.	OEM Ref No.	Description
1	—	RP28911	Spout Assembly
2	—	RP25946	Aerator
3	—	RP28912	Retaining Ring
4	35728B	RP6365	Spout O-Ring
5	—	RP28918	Spout Assembly
6	—	RP28913	Spout Bonnet
7	—	RP25695	Vacuum Breaker
8	—	RP28919	Escutcheon
9	—	RP6064	Locknut
10	73114B	RP6183	Locknut
11	—	R18373	Index Button Set
12	—	R5885	Handle Screw (10 per Pak)
13	—	H21	(1) Pair Handles
14	—	R2412	Index Button <i>Hot</i> Index Button <i>Cold</i>
15	88048	H28	(1) Pair Handles
16	17833B	RP6060	Bonnet Nut
17	16219B	1740	Stem R.H. Hot or Cold
18	80684	RP4993	Seats & Springs
19	—	RP5861	Coupling Nut

Item No.	Stock No.	OEM Ref No.	Description
20	—	RP31421	Spout Assembly
21	—	RP31422	Spout Assembly
22	—	RP31420	Spout Nut
23	17464B	RP8230	Ceramic Stem Assembly Hot/Cold
24	—	RP10700	Ceramic Seats, O-Rings and Springs

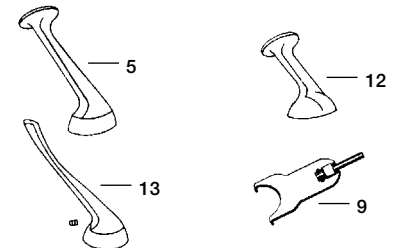
DELTA

UTILITY FAUCET

Models Waterfall 172, 173, 174
Utility 710, 711



Item No.	Stock No.	OEM Ref No.	Description
1	35739B	RP25	#25 O-Ring
2	88756	50	Cap Assembly (<i>carded</i>)
3	88104	RP61	Cam Assembly <i>Generic</i>
4	88119	RP70	Generic Ball Assembly <i>Stainless Steel</i>
5	80968	90	Replacement Handle
6	80703 80684 18003B	134 4993 —	Seat & Spring Assembly (Before 1976) Seat & Spring Assembly, <i>Generic</i> (After 1976) (1) Seat (After 1976)
7	—	RP152	Set Screw
8	10483	RP330	15/16M Aerator
9	—	RP1974	Wrench
10	80965	RP250	Adjusting Ring
11	80093E	RP320	Spray Diverter
12	10420	2393	Replacement Handle
13	10421	RP5645	Blade Handle Assembly



Bagged No.	Carded No.	Description
------------	------------	-------------

Repair Kits for Faucets Manufactured Before 1976

30766Q	(25 per Pak) 80701	DE-3 Faucet Repair Kit Contains: (2) 35739 O-Ring (2) 35748 O-Ring (1) 30728 Cam Assembly (2) 30769 Seat & Spring Assembly (1) 30765 Hex Wrench
—	88121	DE-101 Faucet Repair Kit Same As 80701 but Contains OEM Parts
—	86970	Kitchen Faucet Repair Kit Contains: (2) 35739 O-Ring (2) 35748 O-Ring (1) 30728 Cam Assembly (1) 30769 Seat & Spring Assembly (1) 88119 #70 SS Ball Assembly (1) 30765 Hex Wrench

Bagged No.	Carded No.	Description
—	80732	Lavatory Faucet Repair Kit Contains: (1) 30728 Cam Assembly (2) 30734 Seat & Spring Assembly (1) 30765 Hex Wrench

Repair Kits for All Faucets Regardless of Year of Manufacture

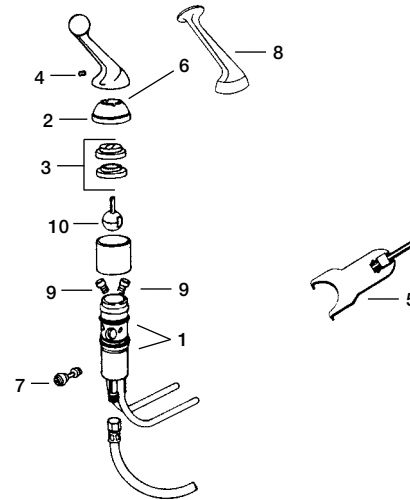
—	80973	DL-15 Spout Repair Kit Contains: (2) 35739 O-Ring (2) 35748 O-Ring
---	-------	---

REPAIRS FOR

DELTA

WATERFALL UTILITY FAUCET

Heavy Duty Workforce Models 172 HDF, 173 HDF, 174 HDF, 710 HDF, 711HDF



Item No.	Stock No.	OEM Ref No.	Description
1	35739B 35748B	RP25 RP25	#25 O-Ring #34 O-Ring
2	88756	50	Cap Assembly
3	88104	RP61	Cam Assembly
4	—	RP152	Set Screw
5	—	RP216	Wrench
6	80965	RP250	Adjusting Ring
7	80093E	RP320	Spray Diverter
8	10420	2393	Replacement Handle
9	80684 18003B	4993 —	Seat & Spring Assembly, <i>Generic</i> (After 1976) (1) Seat (After 1976)

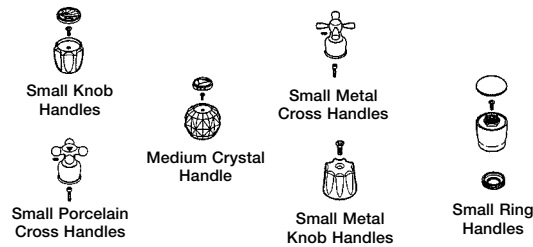
Bagged No.	Carded No.	Description
—	88121	DE-101 Faucet Repair Kit <i>Contains OEM Parts</i> (2) O-Rings (2) O-Rings (1) Cam Assembly (2) Seat & Spring Assemblies

REPAIRS FOR

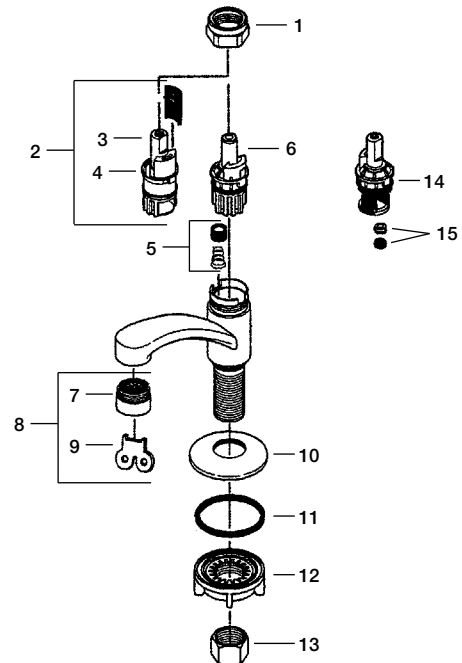
DELTA

BASIN FAUCET

Series 2302 HDF, 2303 HDF



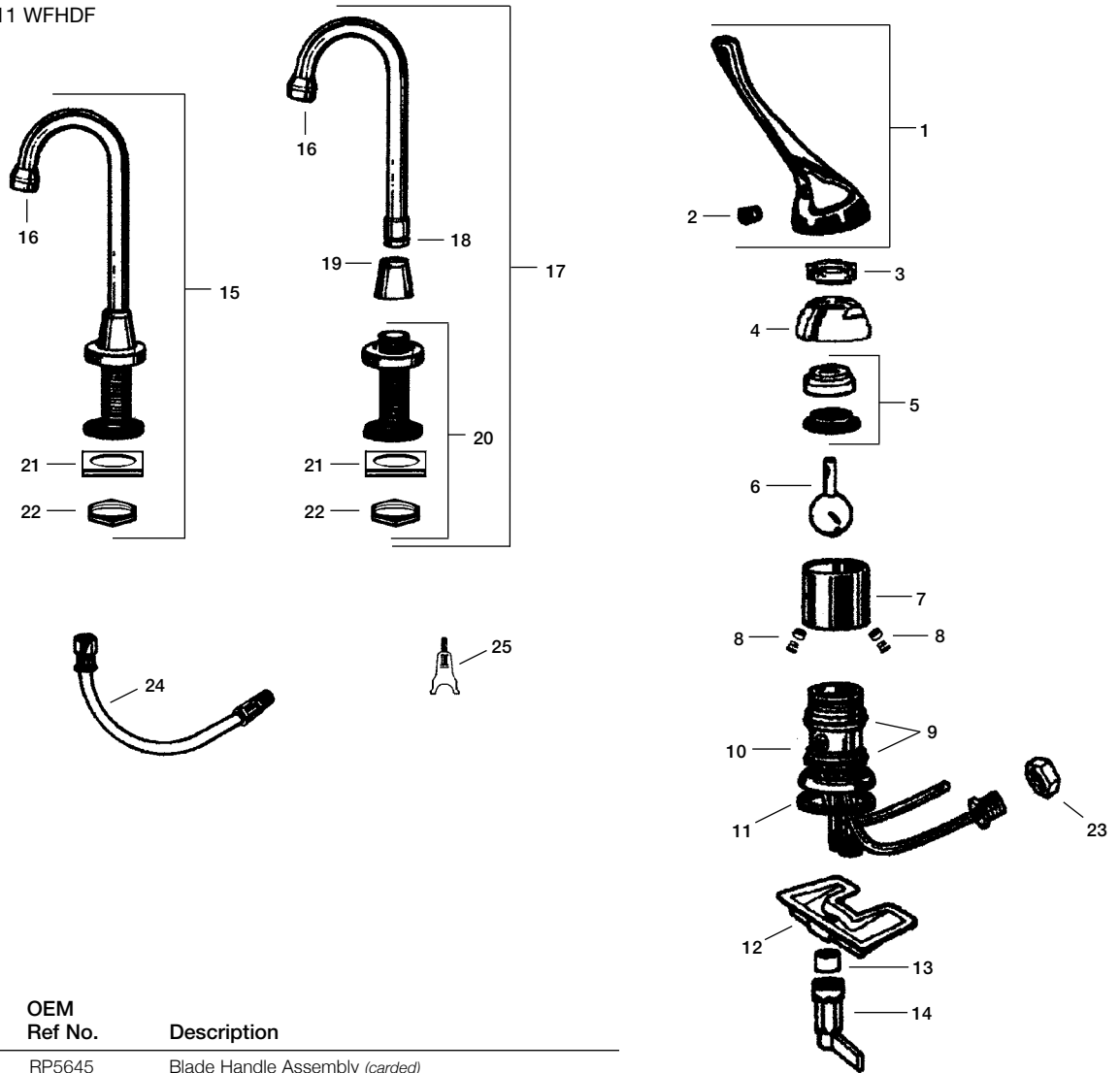
Item No.	Stock No.	OEM Ref No.	Description
1	17833B	RP6060	Bonnet Nut
2	10474	RP25513	Stem Assembly <i>Brass</i> with Stop and Stainless Steel Plate
3	—	RP24097	1/4-Turn Stop (Available on Special Order)
4	—	RP24096	Stem Assembly <i>Brass</i> with Stop and Stainless Steel Plate
5	80684	4993	Seat & Spring Assembly, <i>Generic</i> (After 1976)
6	16219B	RP1740	Stem Assembly <i>OEM Plastic</i> with Stop and Stainless Steel Plate
7	10483	RP330	Aerator
8	—	RP246	0.5 GPM Female Vandal-Resistant Aerator
9	—	RP6420	Aerator Wrench
10	—	RP20055	Base
11	—	RP6052	Gasket
12	73114B	RP6183	Locknut
13	—	RP5861	Coupling Nut
14	17464B	RP8230	Stem R.H. Hot or Cold
15	—	RP10700	Ceramic Seats, O-Rings & Springs



DELTA

UTILITY FAUCET

Series 710 WFHDF, 711 WFHDF

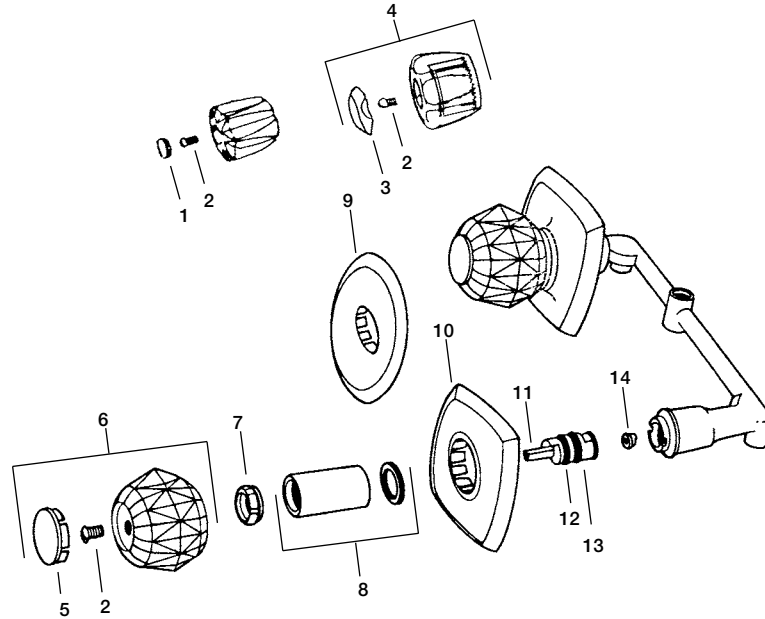


Item No.	Stock No.	OEM Ref No.	Description
1	10421	RP5645	Blade Handle Assembly (carded)
2	—	RP152	Set Screw
3	80965	RP250	Adjusting Ring
4	88756	50	Cap Assembly
5	88104	RP61	Cam Assembly
6	88119	RP70	Ball Assembly <i>Stainless Steel</i>
7	—	RP5887	Escutcheon
8	80684	4993	Seat & Spring Assembly (After 1976)
9	35739B	RP25	Spout O-Ring
10	—	RP5786	Base with Gasket
11	—	RP6052	Gasket
12	—	RP6893	Washer
13	—	RP12691	Spacer
14	—	RP5785	Nut and Wrench
15	—	RP7547	Rigid Spout Assembly
16	—	RP19897	Laminar Flow Aerator
17	—	RP12507	Swivel Spout Assembly
18	—	RP5102	Spout O-Ring
19	—	RP5582	Spout Bonnet
20	—	RP17909	Spout Body Assembly
21	—	RP6052	Spout Gasket
22	—	RP6056	Nut and Washer
23	—	RP5861	Coupling Nut
24	—	RP11887	Supply Line <i>Stainless Steel</i>
25	—	RP1974	Wrench

DELTA

TUB & SHOWER FIXTURE

Model 2600-C



Item No.	Stock No.	OEM Ref No.	Description
1	—	2412	Index Button <i>Hot</i>
	—	2412	Index Button <i>Cold</i>
2	35153B	5885	Handle Screw (Bibb)
3	26021B	—	Index Button <i>Hot</i>
	26022B	—	Index Button <i>Cold</i>
4	—	1718	(1) Pair Handles <i>Acrylic</i> Hot & Cold (Before 1976)
	88049	1718	(1) Pair Handles <i>Acrylic</i> Hot & Cold (Before 1976) (<i>carded</i>)
5	—	2405	Index Button <i>Hot</i> (Before 1976) (<i>5 per Pak</i>)
	—	2407	Index Button <i>Cold</i> (Before 1976) (<i>5 per Pak</i>)
6	10304	2390	(1) Pair Handles <i>Acrylic</i> Hot & Cold (After 1976)
7	17833B	1713	Bonnet Cap <i>Hot & Cold</i>
8	—	3216	Escutcheon Tube
9	—	3121	Escutcheon Plate
10	—	3122	Escutcheon Plate
11	16030B	1740	Stem with Bonnet, Seats & Springs R.H. Hot & Cold (Before 1976)
	10405	—	Stem with Bonnet, Seats & Springs R.H. Hot & Cold (After 1976)
	16219B	—	Stem with Bonnet, Seats & Springs R.H. Hot & Cold <i>OEM</i> (After 1976)
12	35784B	—	Cap Thread O-Ring
13	35745B	—	Stem O-Ring
14	—	—	Seat & Spring Assembly, <i>Generic</i> (Before 1976)
	80684	4993	Seat & Spring Assembly, <i>Generic</i> (After 1976)
	—	—	Spring - Short, Straight (Before 1976)
	18013B	—	(1) Spring (Conical) (After 1976) (<i>20 per Pak</i>)
	35584B	—	Cap Thread Gasket <i>Not Illustrated</i>

Bagged No.	Carded No.	Description
------------	------------	-------------

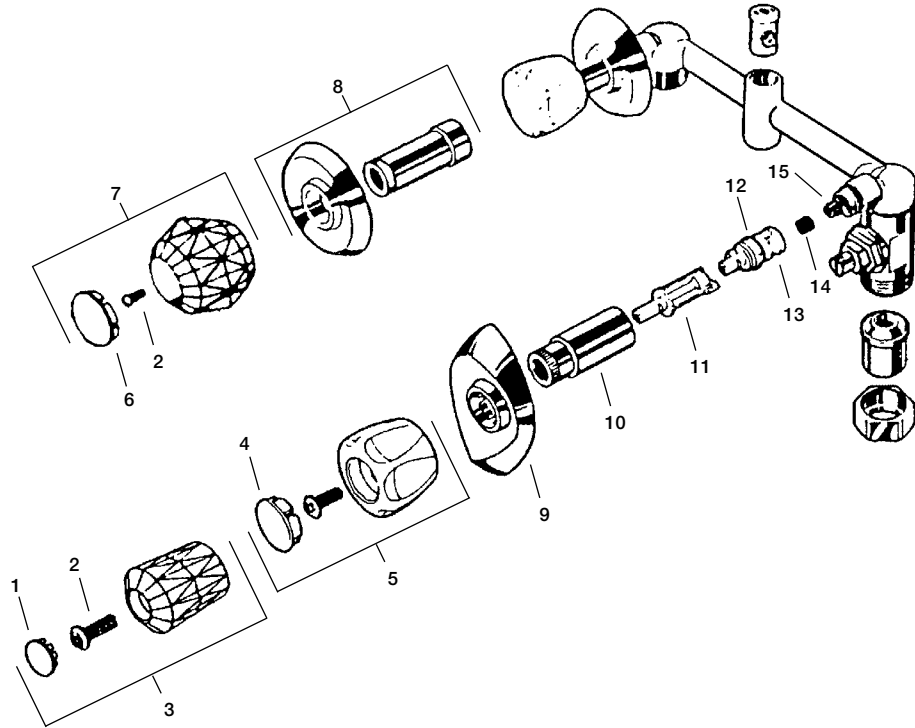
Repair Kit for Faucets Manufactured After 1976

—	88050	Faucet Repair Kit
<i>Contains:</i>		(2) 18003 Seat
		(2) 18013 Spring
		(2) 30757 Spring

DELTA

TWO-HANDLE BATH VALVE with 8" CENTERS

Models 2650, 2650 C, 2650 WS, 2650 C WS, 2660, 2660 C, 2660 WS, 2660 C WS, 2670, 2670 C, 2670 WS, 2670 C WS, 2680, 2680 C, 2680 WS, 2680 C WS, 2676 C TP, 2676 C WS TP, 2686 CTP, 2686 C WS TP, 2862 CG, 2862 CG WS, 2872 CG, 2872 CG WS, 2882 CG, 2882 CG WS, 2882 BC, 2882 BC WS, 2962, 2962 WS, 2972, 2972 WS, 2982, 2982 WS



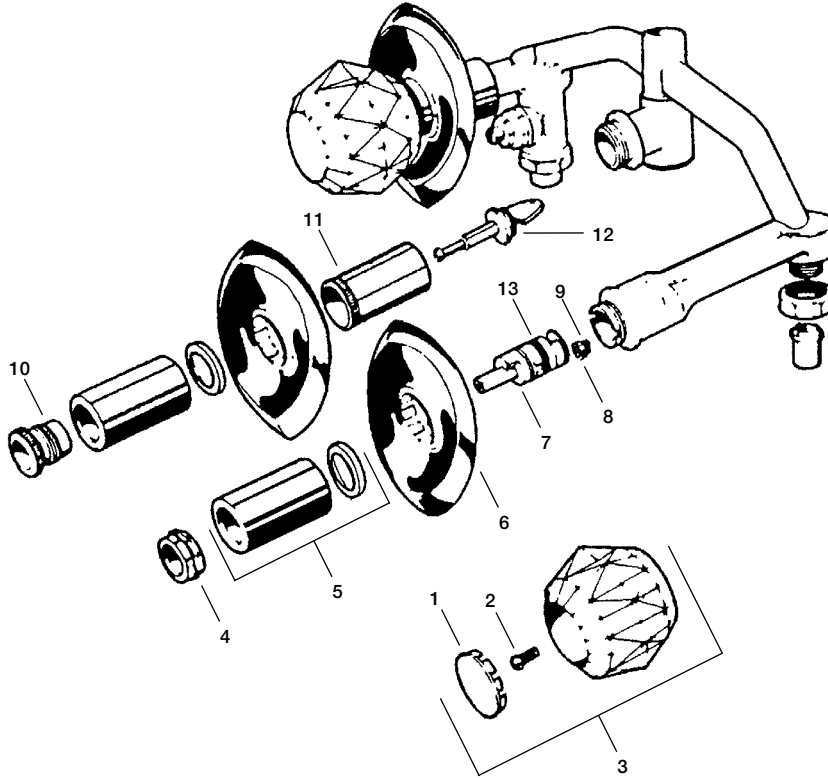
Item No.	Stock No.	OEM Ref No.	Description
1	—	10208	Index Button Set <i>Hot & Cold</i>
2	—	5885	Handle Screw
3	—	10207	Handle <i>Hot</i>
	—	10207	Handle <i>Cold</i>
4	26021B	5692	Index Button <i>Hot</i>
	26022B	5692	Index Button <i>Cold</i>
5	—	5693	Handle <i>Hot</i>
	—	5693	Handle <i>Cold</i>
	—	5693	(1) Pair Handles
	88049	5693	(1) Pair Handles (<i>carded</i>)
6	—	—	Index Button <i>Hot</i>
	—	—	Index Button <i>Cold</i>
7	10304	—	(1) Pair Handles
8	10829	10801	Sleeve & Escutcheon (1 Pair)
9	—	6148	Escutcheon
10	—	10802	Sleeve
11	18026B	10106	Extender with Screw
12	35784B	—	Stem O-Ring
13	16030B	1740	Stem with Bonnet, Seats & Springs R.H. <i>Hot & Cold</i> (Before 1976)
14	—	—	Seats
15	18013B	—	Springs (<i>20 per Pak</i>)
	80684	—	Seats & Springs (1 Pair of Each)
	35745B	—	Internal Stem O-Ring <i>Not Illustrated</i>
	35584B	—	Internal Stem Ring <i>Not Illustrated</i>

Stock No.	OEM Ref No.	Description
124134	—	Stem Repair Kit
	<i>Contains:</i>	(1) 35784 O-Ring
		(1) 35745 O-Ring
		(1) 35711 O-Ring
		(1) 18063 Rubber Seat
		(1) 35584 Cap Thread Gasket
		(1) 18013 Spring

DELTA

TWO-HANDLE PUSH BUTTON DIVERTER BATH VALVE with 8" CENTERS

Models 2806, 2806 WS, 2836, 2836 WS



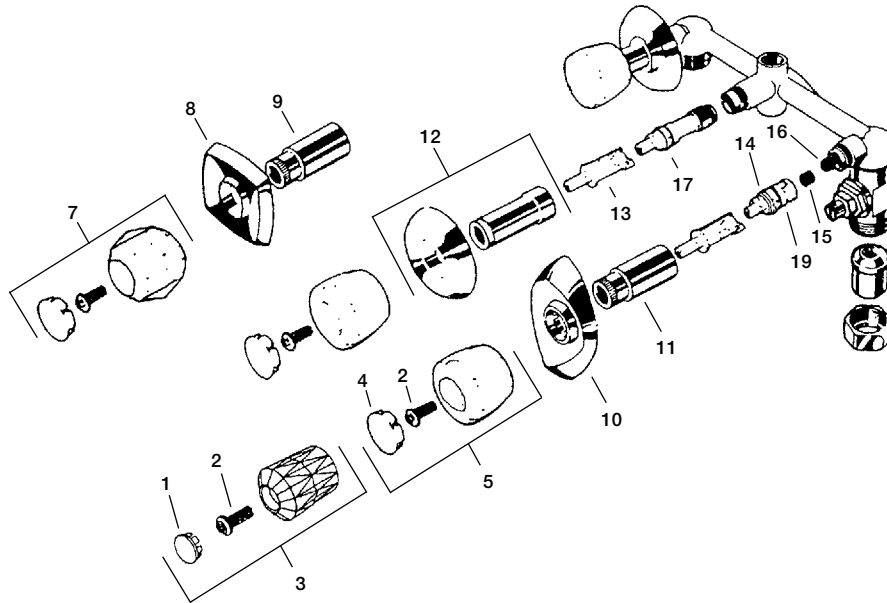
Item No.	Stock No.	OEM Ref No.	Description
1	—	6113	Index Button <i>Hot</i>
	—	6113	Index Button <i>Cold</i>
2	—	5885	Handle Screw
3	10304	2390	(1) Pair Handles
4	17833	6060	Bonnet
5	—	4842	Sleeve Assembly
6	—	6148	Escutcheon
7	16030B	1740	Stem with Bonnet, Seats & Springs R.H. Hot & Cold (Before 1976)
8	—	—	Seats
9	18013B 80684	— —	Springs (20 per Pak) Seats & Springs (1 Pair of Each)
10	—	6350	Cap
11	—	6352	Spacer
12	—	6359	Diverter Assembly
13	35784B	—	Stem O-Ring
—	35745B	—	Internal Stem O-Ring <i>Not Illustrated</i>
—	35584B	—	Internal Stem Ring <i>Not Illustrated</i>

Stock No.	OEM Ref No.	Description
124134	—	Stem Repair Kit
	<i>Contains:</i>	(1) 35784 O-Ring
		(1) 35745 O-Ring
		(1) 35711 O-Ring
		(1) 18063 Rubber Seat
		(1) 35584 Cap Thread Gasket
		(1) 18013 Spring

DELTA

THREE-HANDLE BATH VALVES with 8" CENTERS

Models 2653, 2653 WS, 2653 C, 2653 C WS, 2683, 2683 WS, 2683 C, 2683 C WS, 2687 C TP, 2687 C WS TP, 2885 CG, 2885CG WS



Item No.	Stock No.	OEM Ref No.	Description
1	—	10208	Index Button Set <i>Hot & Cold</i>
	—	—	Index Button <i>Diverter</i>
2	—	5885	Handle Screw
3	—	10207	Handle <i>Hot</i>
	—	10207	Handle <i>Cold</i>
	—	10207	Handle <i>Diverter</i>
4	26021B	5692	Index Button <i>Hot</i>
	26022B	5692	Index Button <i>Cold</i>
	—	5692	Index Button <i>Diverter</i>
5	—	5693	(1) Pair Handles
	88049	5693	(1) Pair Handles (<i>carded</i>)
6	—	—	Index Button <i>Hot</i>
	—	—	Index Button <i>Cold</i>
7	—	—	Handle <i>Hot</i>
	—	—	Handle <i>Cold</i>
	10304	—	(1) Pair Handles (<i>carded</i>)
	—	—	Handle <i>Diverter</i>
8	—	6150	Escutcheon
9	—	10501	Sleeve
10	—	6148	Escutcheon
11	—	10802	Sleeve
12	10829	10801	Sleeve & Escutcheon (Pair)
13	18026B	10106	Extender with Screw
14	16030B	1740	Stem with Bonnet, Seats & Springs R.H. <i>Hot & Cold</i> (Before 1976)
15	—	—	Seat
16	18013B	—	Springs (<i>20 per Pak</i>)
	80684	—	Seats & Springs (1 Pair of Each)
17	17450B	10799	Diverter Assembly
18	35784B	—	Stem O-Ring
	35745B	—	Internal Stem O-Ring <i>Not Illustrated</i>
	35584B	—	Internal Stem Ring <i>Not Illustrated</i>
	—	RP12629	Screws for Extension <i>Not Illustrated</i>

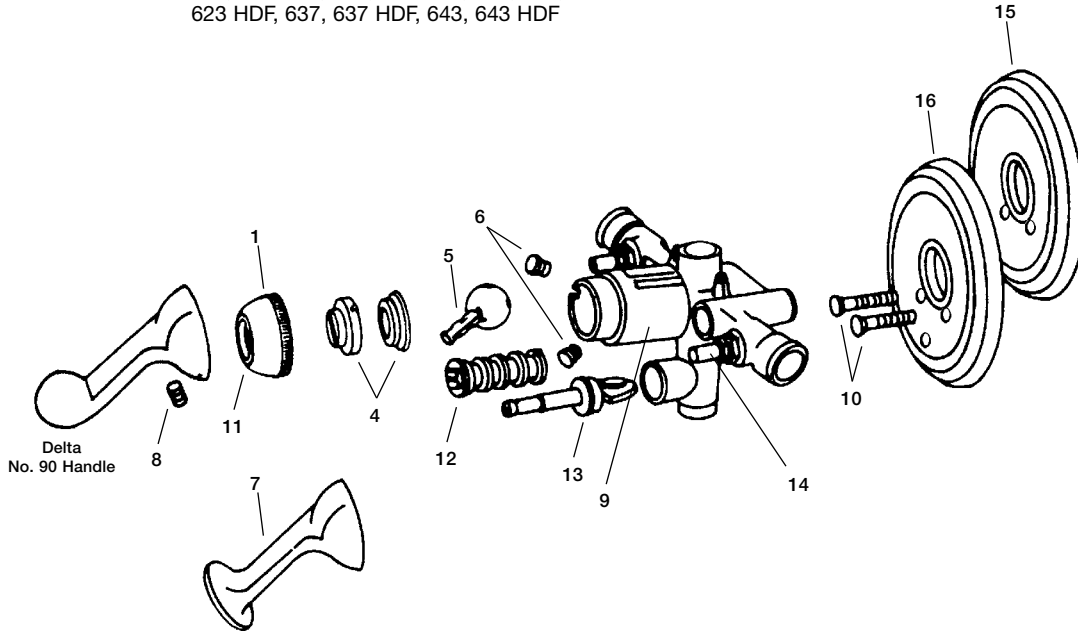
Stock No.	OEM Ref No.	Description
124134	—	Stem Repair Kit
		<i>Contains:</i>
		(1) 35784 O-Ring
		(1) 35745 O-Ring
		(1) 35711 O-Ring
		(1) 18063 Rubber Seat
		(1) 35584 Cap Thread Gasket
		(1) 18013 Spring

DELTA

SHOWER FIXTURE

Non-Pressure Balance Models 601, 601 HDF, 605, 605 HDF, 611, 611 HDF, 621, 621 HDF, 635, 635 HDF, 641, 641 HDF

Pressure Balance Models 603, 603 HDF, 607, 607 HDF, 613, 623, 623 HDF, 637, 637 HDF, 643, 643 HDF



Item No.	Stock No.	OEM Ref No.	Description
1	88756	50	Cap Assembly
4	88104	61	Cam Assembly <i>Generic</i>
5	88119	70	Ball Assembly <i>Stainless Steel</i>
6	80703	134	Seat & Spring Assembly (Before 1976)
	80684	4993	Seat & Spring Assembly, <i>Generic</i> (After 1976) (<i>carded</i>)
	18003B	—	(1) Seat (After 1976)
	18013B	—	(1) Spring (Conical) (After 1976) (<i>20 per Pak</i>)
	—	1181	(1) Spring (Before 1976) 2 Required
	30758B	—	(1) Seat (Before 1976) 2 Required
7	80968	90	Replacement Handle (<i>carded</i>)
8	—	152	Set Screw
9	—	181	Sleeve
10	—	196	Escutcheon Screw
11	80965	RP250	Adjusting Ring
12	—	574	Balancing Spool
13	80971	5649	Diverter
14	—	2090	Check Stop Stem Assembly For Pressure Balance Fixtures
	—	3319	Check Stop Stem Assembly For Non-Pressure Balance Fixtures
15	—	5883	Escutcheon Plate less Diverter Hole
16	—	6046	Escutcheon Plate with Diverter Hole

Stock No.	OEM Ref No.	Description
10003	—	Chrome Trim Kit
	<i>Contains:</i>	Acrylic Handle Metal Handle Escutcheon Adapters Screws
10004	—	Brushed Nickel Trim Kit
	<i>Contains:</i>	Acrylic Handle Metal Handle Escutcheon Adapters Screws
10562	—	Oil Rubbed Bronze Trim Kit
	<i>Contains:</i>	Acrylic Handle Metal Handle Escutcheon Adapters Screws

DELTA

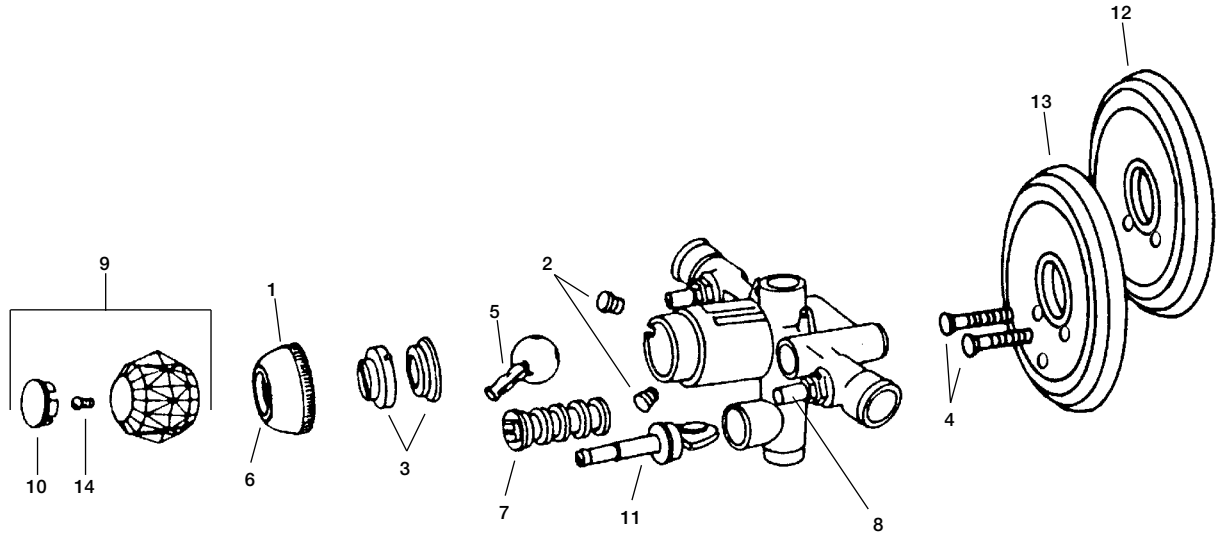
BATH FIXTURE

Models

Delta-Temp & Del-Dial Non-Pressure Balance 602, 606, 612, 622, 623, 636, 642

Pressure Balance 604, 608, 624, 634, 638

Fjord Series 6020, 6060



Item No.	Stock No.	OEM Ref No.	Description
1	88756	50	Cap Assembly
2	80703	134	Seat & Spring Assembly (Before 1976)
	80684	4993	Seat & Spring Assembly (After 1976)
	18003B	—	(1) Seat (After 1976)
3	88105	RP188	Cam Assembly
4	—	RP196	Escutcheon Screw
5	88120	212	Ball Assembly <i>Stainless Steel</i>
6	80965	RP250	Adjusting Ring
7	—	RP574	Balancing Spool
8	—	RP2090	Check Stop Stem Assembly
9	88439	RP2391	Handle with Cap & Screw
10	80970	RP2411	Handle Cap
11	80971	RP5649	Diverter
12	—	RP5883	Escutcheon Plate
13	—	RP6046	Escutcheon Plate <i>Diverter</i>
14	—	RP6369	Handle Screw

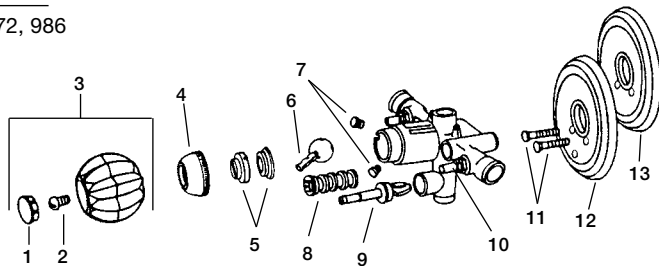
Stock No.	OEM Ref No.	Description
10003	—	Chrome Trim Kit
	<i>Contains:</i>	Acrylic Handle Metal Handle Escutcheon Adapters Screws
10004	—	Brushed Nickel Trim Kit
	<i>Contains:</i>	Acrylic Handle Metal Handle Escutcheon Adapters Screws
10562	—	Oil Rubbed Bronze Trim Kit
	<i>Contains:</i>	Acrylic Handle Metal Handle Escutcheon Adapters Screws

REPAIRS FOR

DELTA

BATH FIXTURE

Models 962, 972, 986



Item No.	Stock No.	OEM Ref No.	Description
1	—	RP4233	Handle Cap
2	—	RP6369	Handle Screw
3	—	RP4232	Handle Assembly with Cap & Screw
4	—	RP4173	Cap Assembly (Deltique)
5	88105	RP188	Cam Assembly
6	88120	212	Ball Assembly <i>Stainless Steel</i>
7	80684	4993	Seat & Spring Assembly <i>Generic (After 1976)</i>
8	—	RP574	Balancing Spool
9	80971	RP6305	Diverter (Deltique)
10	—	RP2090	Check Stop Assembly
11	—	RP4183	Escutcheon Screw
12	—	RP6046	Escutcheon Plate <i>Diverter</i>
13	—	RP5883	Escutcheon Plate
	18003B	—	(1) Seat (After 1976) <i>Not Illustrated</i>

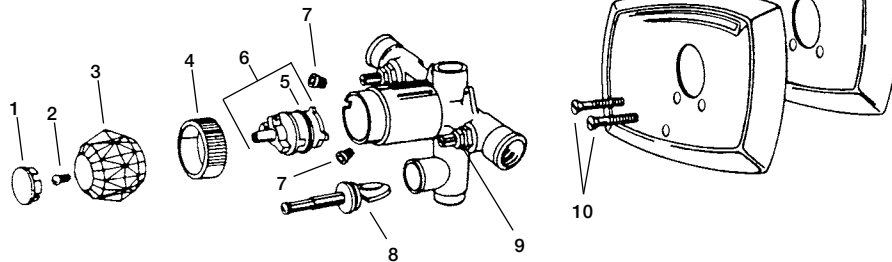
Stock No.	OEM Ref No.	Description
17876	—	Faucet Repair Kit <i>Contains:</i> (2) 18002 Spring (2) 18013 Conical Spring (2) 18063 Seat (1) 30759 Cam Packing (1) 30761 Cam (1) 30765 Hex Wrench
10003	—	Chrome Trim Kit <i>Contains:</i> Acrylic Handle Metal Handle Escutcheon Adapters Screws
10004	—	Brushed Nickel Trim Kit <i>Contains:</i> Acrylic Handle Metal Handle Escutcheon Adapters Screws
10562	—	Oil Rubbed Bronze Trim Kit <i>Contains:</i> Acrylic Handle Metal Handle Escutcheon Adapters Screws

REPAIRS FOR

DELTA

DELTIQUE BATH FIXTURE

Models
Non-Pressure Balance 912, 922, 936
Pressure Balance 924, 938

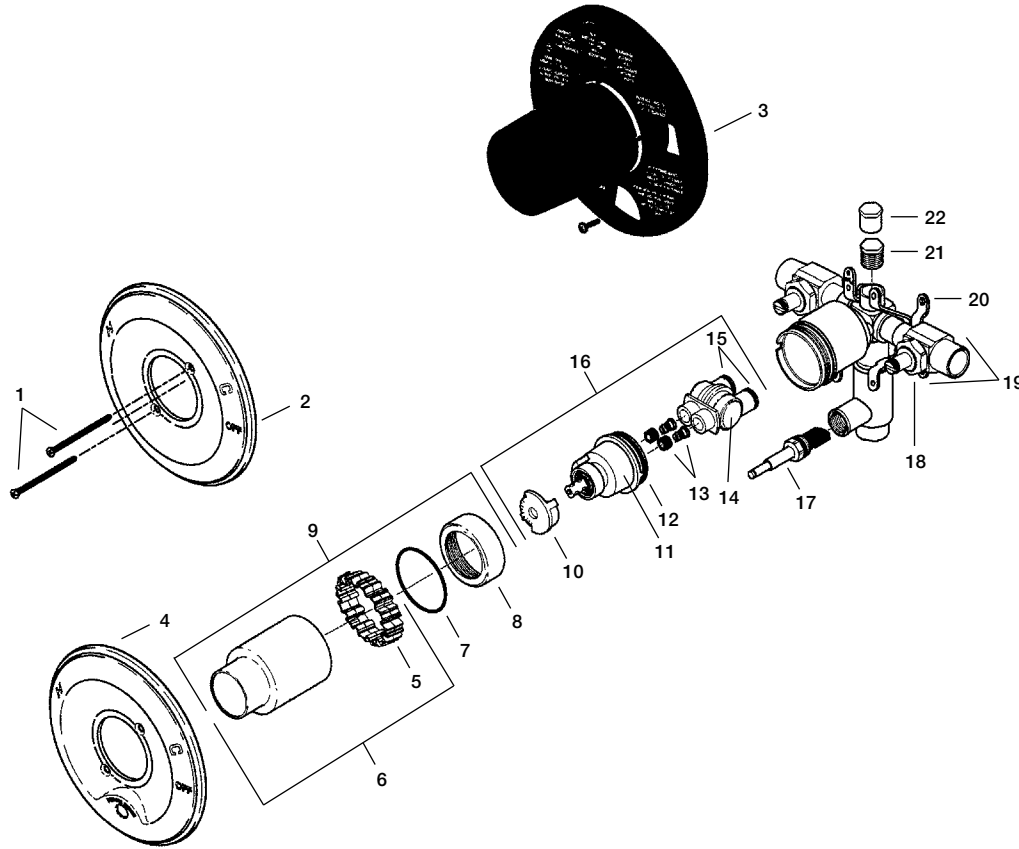


Item No.	Stock No.	OEM Ref No.	Description
1	—	4237	Handle Cap
2	—	5885	Handle Screw
3	—	4236	Handle Assembly
4	—	6272	Deltique Bonnet
5	35759B	—	Bonnet O-Ring
6	80964	1991	Cartridge Assembly
7	80684	4993	Seat & Spring Assembly <i>Generic (After 1976)</i>
8	80971	6305	Deltique Diverter
9	—	2090	Check Stop Stem Assembly
10	—	196	Escutcheon Screws
	18003B	—	(1) Seat (After 1976) <i>Not Illustrated</i>
	35745B	—	Cartridge O-Ring <i>Not Illustrated</i>

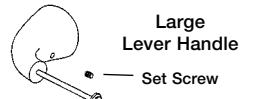
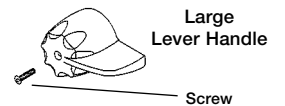
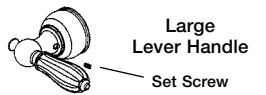
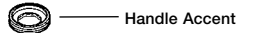
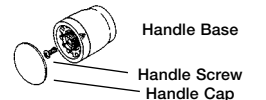
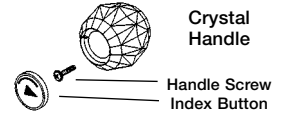
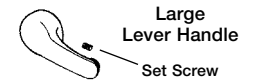
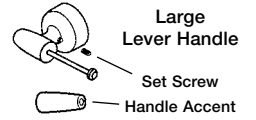
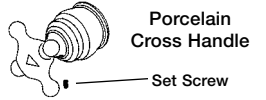
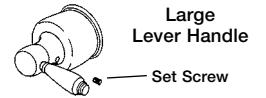
DELTA

PRESSURE BALANCE TUB & SHOWER FAUCET

Series Monitor® 1300, 1400



Handle Options



Item No.	Stock No.	OEM Ref No.	Description
1	—	RP196	Escutcheon Screw
	—	RP12630	Escutcheon Screw (1" Longer)
2	—	RP29993	Plaster Guard/Thin Wall Mounting Bracket
3	—	RP19809	Escutcheon
	—	RP21630	Escutcheon Red/Blue Label
4	—	RP19802	Escutcheon with Diverter Hole
—	—	RP21631	Escutcheon with Diverter Hole Red/Blue Label
5	—	RP29569	Spacer
6	—	RP22735	Trim Sleeve and Spacer 1300-CBTP Series Only
7	—	RP23336	O-Ring
8	—	RP22734	Unplated Bonnet
9	—	RP22737	Trip Sleeve, Bonnet, O-Ring and Spacer Assembly
10	—	RP19807	Rotational Limit Stop
11	—	RP19806	Cap Assembly with Stainless Steel Plate
12	—	RP23357	O-Ring
13	80684	4993	Seat & Spring Assembly <i>Generic</i> (After 1976)
14	—	RP19805	Pressure-Balancing Housing Assembly
15	—	RP14414	O-Ring
16	10347	RP19804	Cartridge Assembly with Stainless Steel Plate
17	80971	RP5649	Push Button Diverter
18	—	RP16213	Screwdriver Stop Assembly
19	—	RP25804	Mounting Bracket Screws
20	—	RP29992	Mounting Bracket with Screws
21	54067BE	RP76	1/2" IPS Plug <i>Brass</i>
22	—	RP20032	1/2" Copper Sweat Plug <i>Brass</i>

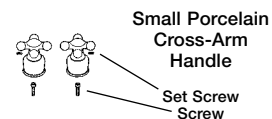
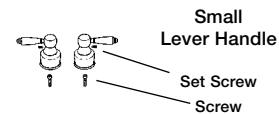
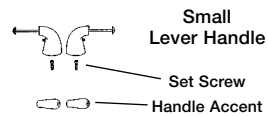
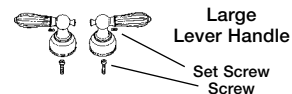
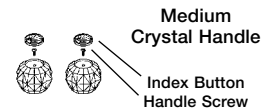
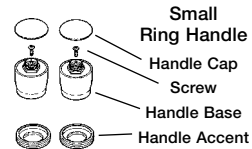
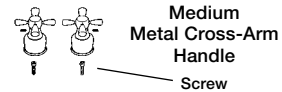
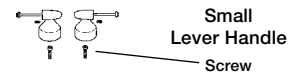
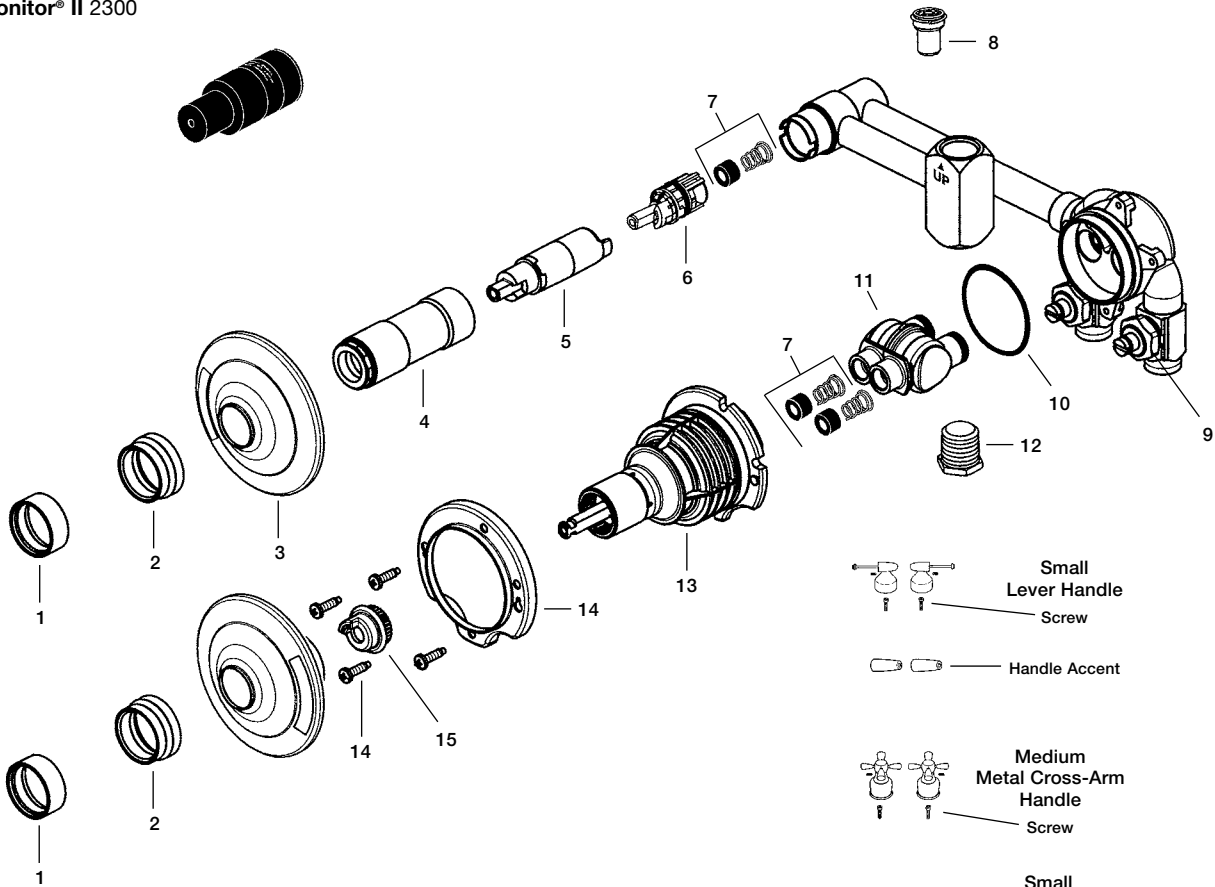
Stock No.	OEM Ref No.	Description
10003	—	Chrome Trim Kit <i>Contains:</i> Acrylic Handle Metal Handle Escutcheon Adapters Screws
10004	—	Brushed Nickel Trim Kit <i>Contains:</i> Acrylic Handle Metal Handle Escutcheon Adapters Screws
10562	—	Oil Rubbed Bronze Trim Kit <i>Contains:</i> Acrylic Handle Metal Handle Escutcheon Adapters Screws

MONITOR is a registered Trademark of Delta Faucet Company

DELTA

PRESSURE BALANCE TUB & SHOWER FAUCET

Series Monitor® II 2300



Item No.	Stock No.	OEM Ref No.	Description
1	—	RP26760	Nut
2	—	RP26759	Trim
3	—	RP27063	Volume Escutcheon
4	—	RP26758	Screw-On-Sleeve
5	—	RP27527	Extender
6	16219B 10405	RP1740	Plastic Stem Assembly with Stainless Steel Plate Hot/Cold <i>OEM</i> Plastic Stem Assembly Hot/Cold <i>Generic</i>
7	80684	4993	Seat & Spring Assembly <i>Generic</i> (After 1976)
8	—	RP15565	Ejector
9	—	RP16213	Screwdriver Stop Assembly
10	—	RP26756	O-Ring
11	—	RP19805	Housing Assembly
12	94570BE	RP76	1/2" IPS Pipe Plug <i>Brass</i>
13	—	RP26755	Sleeve Assembly
14	—	RP26754	Retainer
15	—	RP26752	Rotational Limit Stop
16	—	RP26753	Screws
17	—	RP27062	Temperature Escutcheon

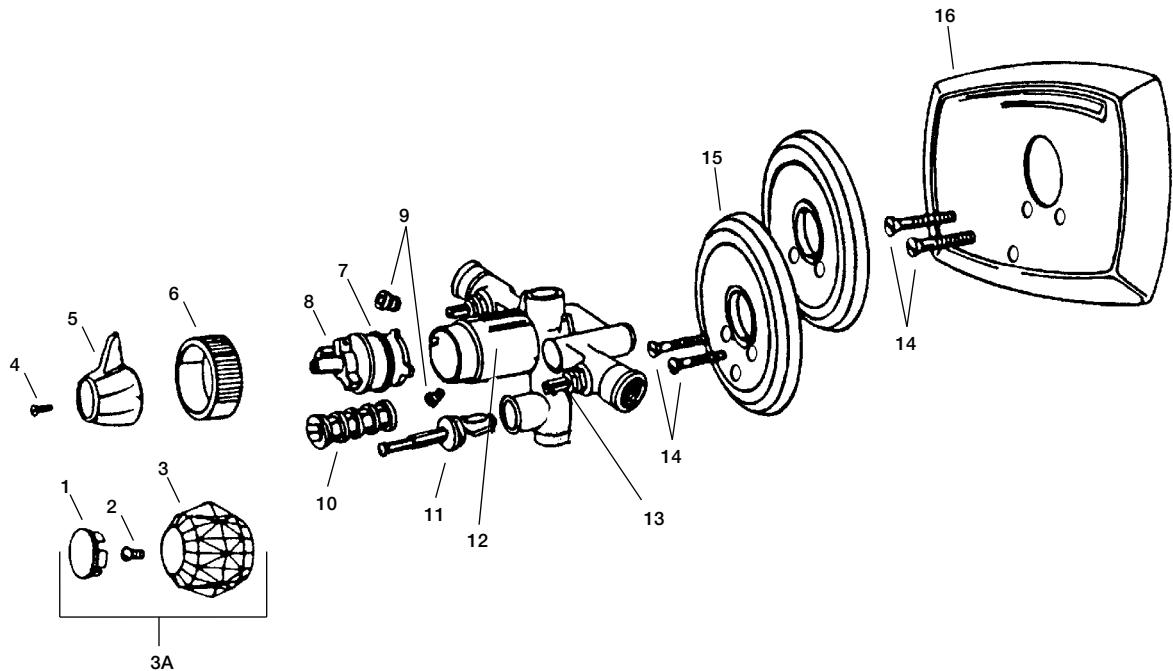
MONITOR is a registered Trademark of Delta Faucet Company

DELTA

SCALD GUARD BATH FIXTURE

Non-Pressure Balance Models 1601, 1605, 1606, 1611, 1621, 1635, 1636, 1641

Pressure Balance Models 1603, 1607, 1608, 1613, 1623, 1637, 1638, 1645



Item No.	Stock No.	OEM Ref No.	Description	Stock No.	OEM Ref No.	Description
1	—	3558	Handle Cap			
2	—	5885	Handle Screw			
3	31229	2392	Handle <i>Acrylic</i>			
3A	31229	—	Handle Assembly <i>Acrylic</i>			
4	35639B	6119	Handle Screw			
5	—	6117	Handle Assembly			
6	—	6079	Bonnet			
7	35759B	—	Bonnet O-Ring	10003	—	Chrome Trim Kit
8	80964	1991	Cartridge Assembly			<i>Contains:</i> Acrylic Handle
9	80684	4993	Seat & Spring Assembly, <i>Generic</i> (After 1976)			Metal Handle
	18003B	—	(1) Seat (After 1976)			Escutcheon
	18013B	—	(1) Spring (Conical) (After 1976)			Adapters
	—	—	(1) Spring (Short/Straight) (Before 1976)			Screws
10	—	574	Balancing Spool	10004	—	Brushed Nickel Trim Kit
11	80971	5649	Diverter			<i>Contains:</i> Acrylic Handle
12	—	1765	Sleeve			Metal Handle
13	—	2090	Check Stop Stem Assembly (Pressure Balance Models)			Escutcheon
	—	3319	Check Stop Stem Assembly (Non-Pressure Balance Models)			Adapters
14	—	196	Escutcheon Screw	10562	—	Oil Rubbed Bronze Trim Kit
15	—	1773	Escutcheon			<i>Contains:</i> Acrylic Handle
16	—	RP6205	Escutcheon (used on Models 1606, 1608, 1636, 1638)			Metal Handle
	35745B	—	Cartridge O-Ring <i>Not Illustrated</i>			Escutcheon
	80694	—	Seat & Spring Assembly, <i>Generic</i> (Before 1976) <i>Not Illustrated</i>			Adapters
						Screws

REPAIRS FOR

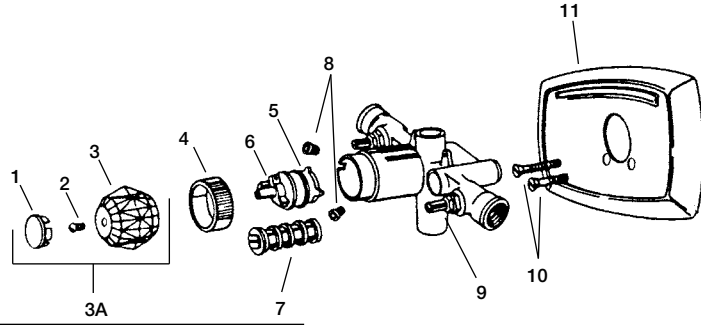
DELTA

SCALD GUARD BATH FIXTURE

Models

Non-Pressure Balance 1602, 1612, 1622, 1646

Pressure Balance 1604, 1614, 1624, 1648



Item No.	Stock No.	OEM Ref No.	Description
1	—	3558	Handle Cap
2	—	5885	Handle Screw (10 per Pak)
3	—	2392	Handle Acrylic
3A	31229	—	Handle Assembly Acrylic
4	—	6079	Bonnet
5	35759B	—	Bonnet O-Ring
6	17231B	1991	Cartridge Assembly
7	—	574	Balancing Spool
8	80684	4993	Seat & Spring Assembly, <i>Generic</i> (After 1976)
	18003B	—	(1) Seat (After 1976)
	18013B	—	(1) Spring (Conical) (After 1976)
	—	—	(1) Spring (Short/Straight) (Before 1976)
9	—	2090	Check Stop Stem Assembly (Pressure Balance Models)
	—	3319	Check Stop Stem Assembly (Non-Pressure Balance Models)
10	—	196	Escutcheon Screw
11	—	3543	Escutcheon
	35745B	—	Cartridge O-Ring <i>Not Illustrated</i>
	80694	—	Seat & Spring Assembly, <i>Generic</i> (Before 1976)

REPAIRS FOR

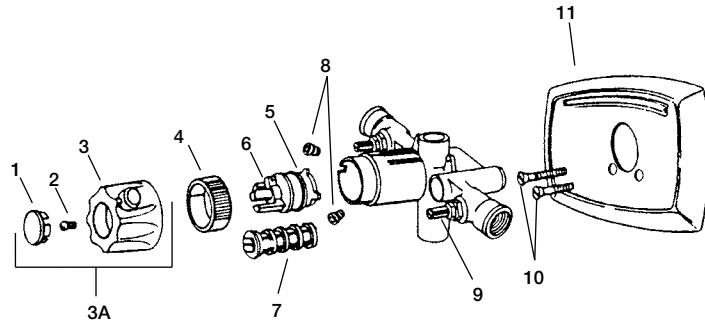
DELTA

SCALD GUARD BATH FIXTURE

Models

Non-Pressure Balance 1702, 1712, 1722, 1746

Pressure Balance 1704, 1714, 1724, 1748



Item No.	Stock No.	OEM Ref No.	Description
1	—	3558	Handle Cap
2	—	5885	Handle Screw (10 per Pak)
3	—	2392	Handle Acrylic
3A	31229	—	Handle Assembly Acrylic
4	—	6079	Bonnet
5	35759B	—	Bonnet O-Ring
6	17231B	1991	Bath Cartridge
7	—	574	Balancing Spool
8	80684	4993	Seat & Spring Assembly, <i>Generic</i> (After 1976)
	18003B	—	(1) Seat (After 1976)
	18013B	—	(1) Spring (Conical) (After 1976)
	—	—	(1) Spring (Short/Straight) (Before 1976)
9	—	2090	Check Stop Stem Assembly (Pressure Balance Models)
	—	3319	Check Stop Stem Assembly (Non-Pressure Balance Models)
10	—	196	Escutcheon Screw
11	—	RP6205	Escutcheon
	35745B	—	Cartridge O-Ring <i>Not Illustrated</i>
	80694	—	Seat & Spring Assembly, <i>Generic</i> (Before 1976) <i>Not Illustrated</i>

REPAIRS FOR

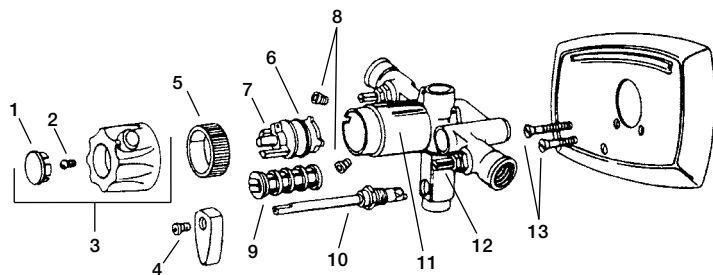
DELTA

SCALD GUARD BATH FIXTURE

Models

Non-Pressure Balance 1802, 1812, 1822, 1846

Pressure Balance 1804, 1814, 1824, 1848



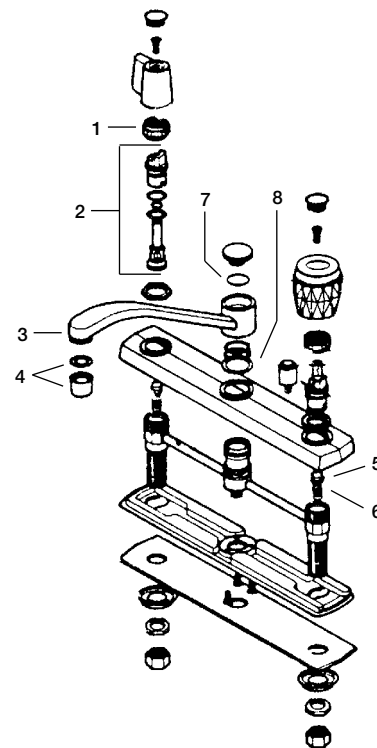
Item No.	Stock No.	OEM Ref No.	Description
1	—	3558	Handle Cap
2	—	5885	Handle Screw (10 per Pak)
3	31229	3561	Handle Assembly
4	35639B	6119	Handle Screw
5	—	6079	Bonnet
6	35759B	—	Bonnet O-Ring
7	80964	1991	Bath Cartridge
8	80684	4993	Seat & Spring Assembly, <i>Generic</i> (After 1976)
	18003B	—	(1) Seat (After 1976)
	18013B	—	(1) Spring (Conical) (After 1976)
	—	—	(1) Spring (Short/Straight) (Before 1976)
9	—	574	Balancing Spool
10	—	6209	Volume Control Assembly
11	—	1765	Sleeve
12	—	2090	Check Stop Stem Assembly (Pressure Balance Models)
	—	3319	Check Stop Stem Assembly (Non-Pressure Balance Models)
13	—	196	Escutcheon Screw
	35745B	—	Cartridge O-Ring <i>Not Illustrated</i>
	80694	—	Seat & Spring Assembly, <i>Generic</i> (Before 1976) <i>Not Illustrated</i>

REPAIRS FOR

ELJER

KITCHEN TWO-HANDLE FAUCET

Series 718-1002, 718-1012, 718-1020, 718-1030, 718-1000, 718-1010



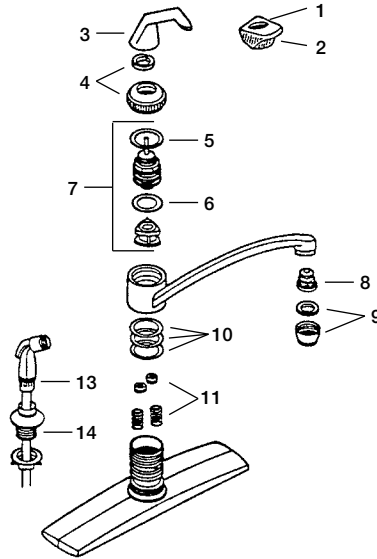
Item No.	Stock No.	OEM Ref No.	Description
1	17833B	498-1514-00	Bonnet
2	17312B	498-6804-00	Stem Unit Hot or Cold
3	—	498-6800-00	Spout Assembly
4	10481	498-7068-00	Aerator
5	31510W	—	Seal (20 per Pak)
6	80686	—	(2) Seals & Springs
7	35746B	—	O-Ring
8	35776B	—	Spout O-Ring
Stock No.	OEM Ref No.	Description	
124198	—	Stem Repair Kit	
	<i>Contains:</i>	(1) 35784 O-Ring	
		(1) 35725 O-Ring	
		(1) 35721 O-Ring	
		(1) 31510 Seat	
		(1) 31511 Spring	

REPAIRS FOR

ELJER

KITCHEN FAUCET

Model 717



Item No.	Stock No.	OEM Ref No.	Description
1	—	7080	Handle Button
2	—	7081	Lever Handle <i>Acrylic</i>
3	—	498-1165-00	Lever Handle <i>Metal</i>
4	—	498-6633-00	Bonnet Assembly
5	35739B	—	O-Ring
6	35731B	—	O-Ring
7	80978	498-6680-00	Control Assembly
8	—	498-7713-00	Spray Diverter
9	10483	498-7068-00	15/16F Premium Aerator
10	35752B	11112-498	Spout O-Ring 3 Required
11	80686	—	(2) Seats & Springs
13	—	7714	Sprayhead & Hose Assembly
	80762	—	Sprayhead & Hose Assembly <i>Black (carded)</i>
14	86948	200	Spray Hose Guide

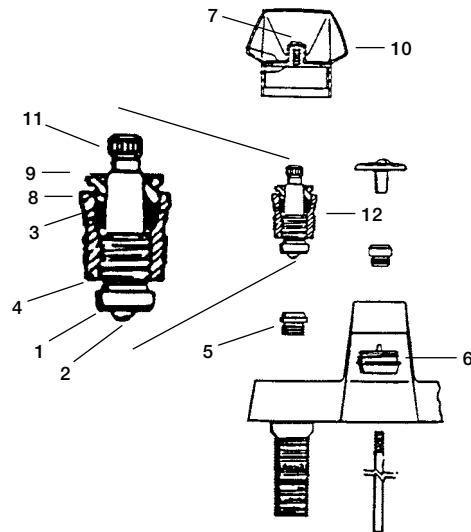
Stock No.	OEM Ref No.	Description
80688	—	Stem Repair Kit
	<i>Contains:</i>	(2) 31510 Seats
		(2) 31511 Springs
		(1) 35731 O-Ring
		(1) 35739 O-Ring
		(3) 35752 O-Rings

REPAIRS FOR

ELJER

LAVATORY FAUCET

Series **Decora** 553-0280, 553-0282, Ultima 552-1400, 552-1500, 552-1660



Item No.	Stock No.	OEM Ref No.	Description
1	35064B	490-2065-00	1/4 Flat Bibb Washer
2	35142B	490-3761-00	Bibb Screw <i>Chrome Plated</i>
	—	—	Monel Bibb Screw
3	35208B	490-2730-00	Bonnet Packing
4	35564B	490-4692-00	Cap Thread Gasket
5	30011V	490-2734-00	Bibb Seat <i>Brass</i>
	—	490-2734-00	Bibb Seat <i>Stainless Steel</i>
6	10483	490-5669-00	15/16 Male Aerator
7	—	490-2965-00	Handle Screw
8	—	490-6664-02	Bonnet Hot & Cold
9	—	490-4633-00	Packing Nut
10	—	490-6671-01	Hot Handle <i>OEM</i>
	—	490-6671-02	Cold Handle <i>OEM</i>
	—	—	(1) Pair Handles <i>OEM</i>
11	—	490-6541-02	Stem R.H. Hot & Cold
12	—	490-8105-02	Stem with Bonnet R.H. Hot & Cold
	—	—	Top Bibb Friction Ring <i>Not Illustrated</i>

REPAIRS FOR

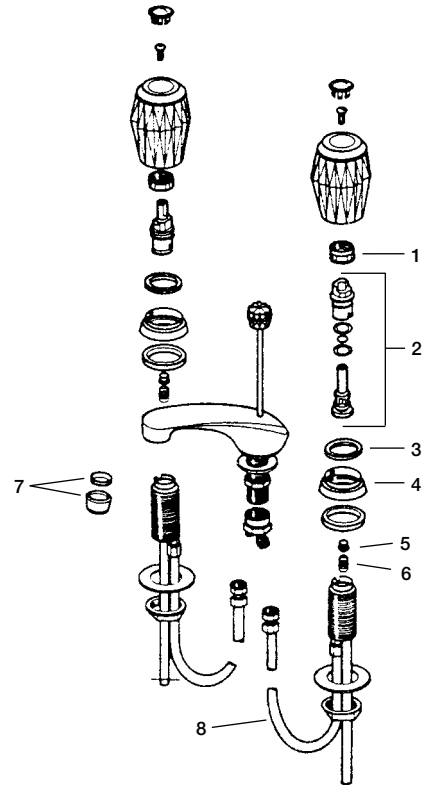
ELJER

WIDESPREAD LAVATORY FAUCET

Series 558-1030, 558-1050

Item No.	Stock No.	OEM Ref No.	Description
1	17833B	498-1814-00	Bonnet
2	17312B	—	(1) Pair Stem Units (<i>carded</i>)
3	—	498-3823-00	Escutcheon
4	—	498-3833-00	Gasket
5	—	—	Seal
6	—	—	Spring
7	80686	—	Seal & Spring (2 each)
8	10483	498-3101-00	Aerator
	—	498-3805-00	Hose

Stock No.	OEM Ref No.	Description
124198	—	Stem Repair Kit
	<i>Contains:</i>	(1) 35784 O-Ring (1) 35725 O-Ring (1) 35721 O-Ring (1) 31510 Seat (1) 31511 Spring



REPAIRS FOR

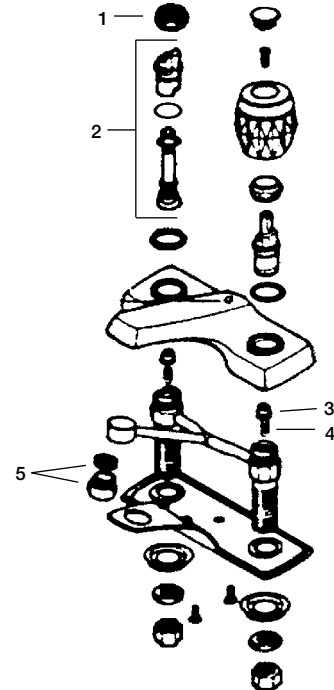
ELJER

LAVATORY FAUCET

Series 558-1021, 558-1000, 558-1022, 558-1002

Item No.	Stock No.	OEM Ref No.	Description
1	17833B	498-1814-00	Bonnet
2	17312B	—	(1) Pair Stem Units
3	—	—	Seal
4	—	—	Spring
5	80686	—	Seal & Spring (2 each)
	10483	498-3101-00	Aerator

Stock No.	OEM Ref No.	Description
124198	—	Stem Repair Kit
	<i>Contains:</i>	(1) 35784 O-Ring (1) 35725 O-Ring (1) 35721 O-Ring (1) 31510 Seat (1) 31511 Spring

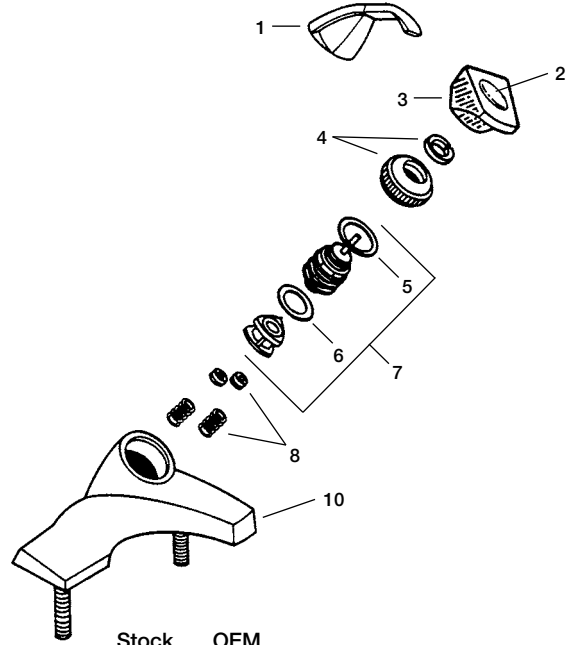


REPAIRS FOR

ELJER

LAVATORY FAUCET

Model 557



Item No.	Stock No.	OEM Ref No.	Description
1	—	498-1257-00	Lever Handle Assembly <i>Chrome Plated</i>
2	—	498-7080-00	Handle Button
3	—	498-6199-00	Handle <i>Clear Acrylic</i>
4	—	498-6633-00	Bonnet Assembly <i>Chrome Plated</i>
5	35739B	—	O-Ring
6	35731B	—	O-Ring
7	80978	498-6680-00	Control Assembly
8	80686	498-7059-00	Seal & Spring Repair Kit
10	10483	498-3101-00	15/16M Premium Aerator

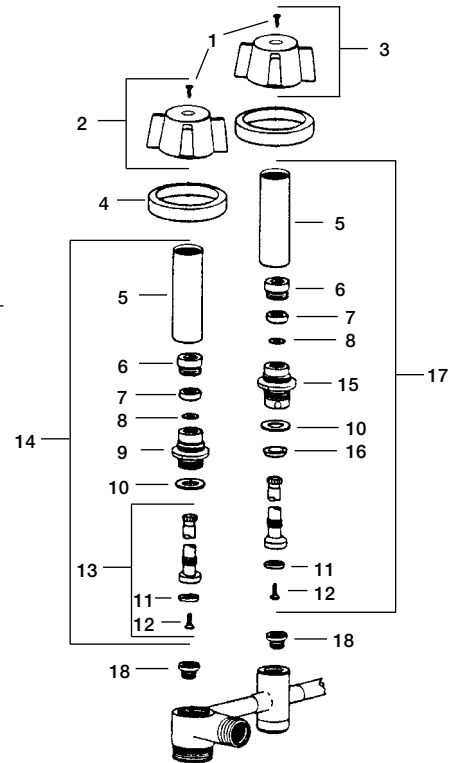
Stock No.	OEM Ref No.	Description
80689	—	Faucet Repair Kit
Contains:		(1) 31503 Seals & Springs (1) 35770 O-Ring (1) 35771 O-Ring

REPAIRS FOR

ELJER

BATH FIXTURE

Series **Lustra** 511-0700,
Regata 515-1400



Item No.	Stock No.	OEM Ref No.	Description
1	35646B	490-1978-00	Handle Screw
2	46504	BU-2H	(1) Pair Handles Hot & Cold (<i>carded</i>)
3	46524	BU-2HD	Replacement Diverter Handle (<i>carded</i>)
4	—	490-6349-00	Escutcheon Plate Round
	—	490-6350-00	Escutcheon Plate Tear Drop <i>Not Illustrated</i>
5	—	490-6747-00	Sleeve
6	—	490-5251-00	Packing Nut
7	35206B	490-5252-00	Bonnet Packing
8	—	490-5729-00	Top Bibb Friction Ring
9	—	490-6534-02	Bonnet R.H. Hot & Cold
10	35564B	490-5255-00	Cap Thread Gasket
11	35064B	490-2065-00	1/4 Flat Bibb Washer
12	35141B	490-3761-00	Bibb Screw <i>Chrome Plated</i>
13	—	490-6752-02	Stem R.H. Hot & Cold (16 Point Broach)
14	—	490-6750-02	Stem with Bonnet R.H. Hot & Cold (16 Point Broach)
15	—	—	Bonnet Diverter
16	35697B	490-5689-00	Diverter Washer
17	17256B	490-6749-02	Stem with Bonnet Diverter (16 Point Broach)
18	30069V	490-6464-00	Bibb Seat <i>Brass</i>

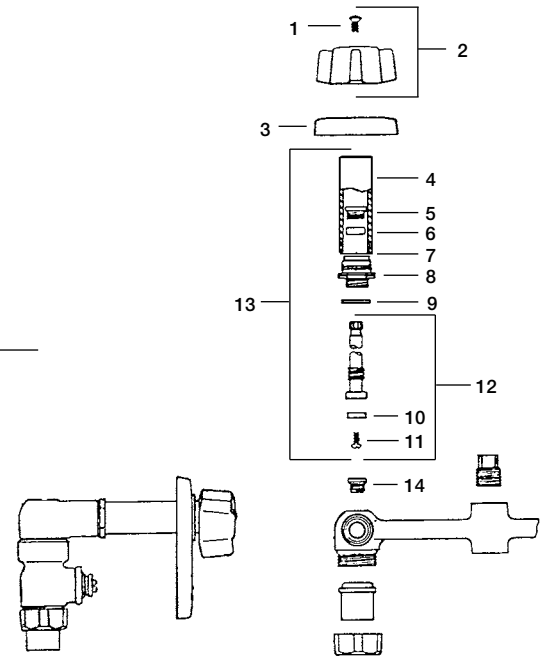
REPAIRS FOR

ELJER

BATH FIXTURE

Series **Lustra** 511-0600, 511-0800, 531-0500,
Regata 511-1600-00

Item No.	Stock No.	OEM Ref No.	Description
1	35639B	490-1978-00	Handle Screw
2	46504	—	(1) Pair Handles (Cast Broach Style)
	—	490-6777-01	Hot Handle (16 Point Broach)
	—	490-6778-02	Cold Handle (16 Point Broach)
3	—	490-6349-00	Escutcheon Plate Round
4	—	490-6747-00	Sleeve
5	—	490-5251-00	Packing Nut
6	35206B	490-5252-00	Bonnet Packing (Also Used on Stop Assembly)
7	—	490-5729-00	Top Bibb Friction Ring (Also Used on Stop Assembly)
8	—	—	Bonnet R.H. Hot & Cold
9	35564B	490-5255-00	Cap Thread Gasket (Also Used on Stop Assembly)
10	35064B	490-2065-00	1/4 Flat Bibb Washer
11	35141B	490-3761-00	Bibb Screw Chrome Plated (Also Used on Stop Assembly)
12	—	490-6752-02	Stem R.H. Hot & Cold
13	—	490-6750-02	Stem with Bonnet R.H. Hot & Cold (16 Point Broach)
14	30069V	490-6464-00	Bibb Seat Brass

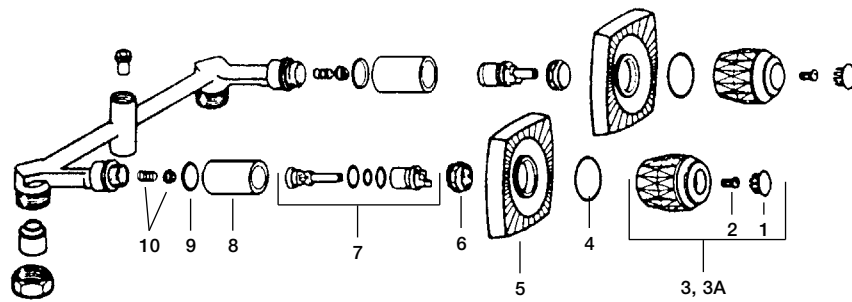


REPAIRS FOR

ELJER

TWO-HANDLE TUB & SHOWER FIXTURE

Series 518-1000, 518-1001, 518-1010, 518-1011, 518-0100, 518-0101, 518-1030, 518-1031



Item No.	Stock No.	OEM Ref No.	Description
1	—	498-6806-00	Index Button <i>Hot</i>
	—	498-6807-00	Index Button <i>Cold</i>
2	35646B	498-7810-00	Handle Screw
3	—	498-7800-00	Small Handle Complete <i>Hot</i>
	—	498-7800-00	Small Handle Complete <i>Cold</i>
3A	—	498-7815-00	Large Handle Complete <i>Hot</i>
	—	498-7815-00	Large Handle Complete <i>Cold</i>
4	35739B	498-1159-00	O-Ring
5	—	498-4800-00	Escutcheon
6	17833B	498-4805-00	Coupling Nut
7	17312B	498-6804-00	Stem Unit Hot or Cold

Item No.	Stock No.	OEM Ref No.	Description
8	—	498-4803-00	Sleeve
9	—	498-4804-00	Gasket
10	80686	—	(2) Seals & Springs

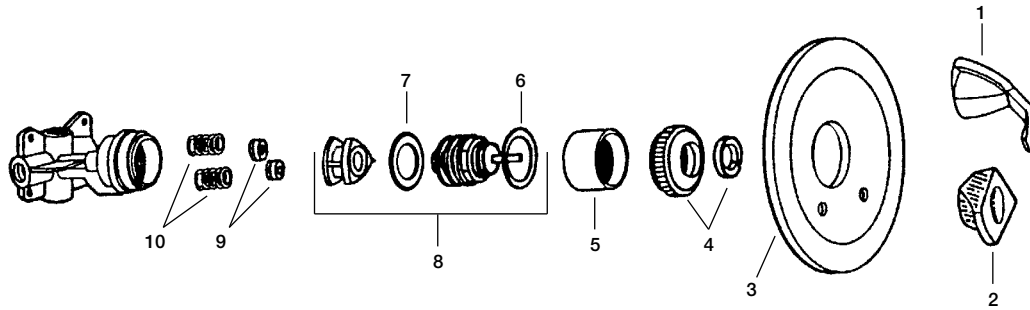
Stock No.	OEM Ref No.	Description
124198	—	Stem Repair Kit
	Contains:	(1) 35784 O-Ring
		(1) 35725 O-Ring
		(1) 35721 O-Ring
		(1) 31510 Seat
		(1) 31511 Spring

REPAIRS FOR

ELJER

TUB & SHOWER FIXTURE

Series 517, 537



Item No.	Stock No.	OEM Ref No.	Description
1	—	498-1257-00	Lever Handle <i>Chrome Plated</i>
2	—	498-6636-00	Handle Assembly <i>Clear Acrylic</i>
3	—	498-4462-00	Escutcheon Plate
4	—	498-6633-00	Bonnet Assembly <i>Chrome Plated</i>
5	—	498-4416-00	Sleeve
	—	498-4197-00	Sleeve <i>Chrome Plated</i>
6	35739B	—	Upper Cartridge O-Ring
7	35731B	—	Lower Cartridge O-Ring
8	80978	498-6680-00	Control Assembly
9	—	—	Cartridge Seal 2 Required (20 per Pak)
10	—	—	Cartridge Spring 2 Required (20 per Pak)
	—	498-6644-00	Escutcheon Screw 2 Required <i>Not Illustrated</i>

Stock No.	OEM Ref No.	Description
80686	—	Stem Repair Kit
	Contains:	(2) 31510 Seats (2) 31511 Springs
80689	—	Faucet Repair Kit
	Contains:	(1) 31503 Seals & Springs (1) 35770 O-Ring (1) 35771 O-Ring

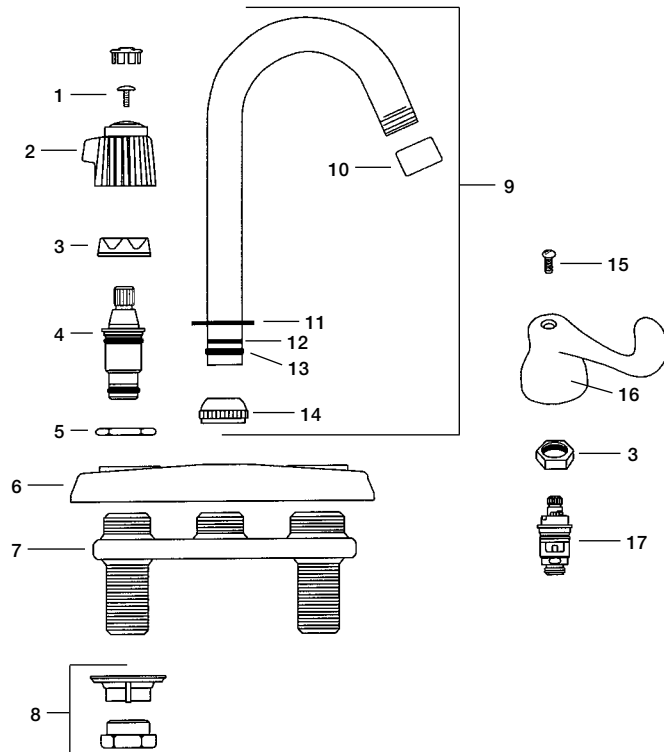
REPAIRS FOR

ELKAY

BAR FAUCET

Series LK24898, LK24898BH

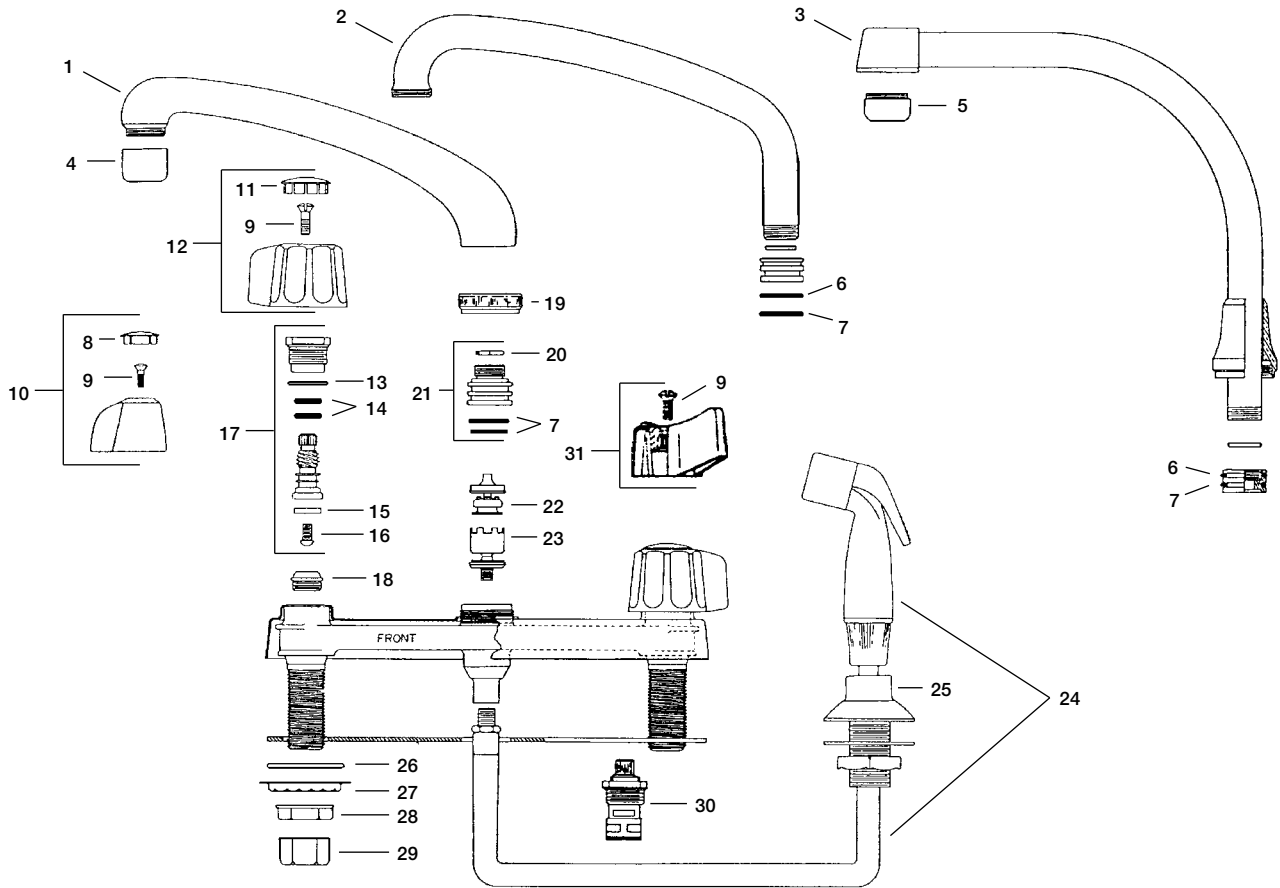
Item No.	Stock No.	OEM Ref No.	Description
1	—	A51951	Handle Screw (10 per Pak)
2	—	A51428	Handle
3	—	A51845	Cap Nut
4	17320E	A51947R	Stem Assembly (Brown) <i>Hot</i>
	17321E	A51948R	Stem Assembly (Gray) <i>Cold</i>
5	—	A52062	Escutcheon Nut
6	—	A51846	Escutcheon
7	—	A51956	Valve Body
8	—	A53274	Mounting Hardware
9	—	A52063	Spout Assembly
10	10483	A51664	15/16F Aerator
11	—	A52354	Brass Washer
12	—	A51983	Snap Ring
13	35728B	A52001	O-Ring
14	—	A51847	Spout Nut
15	—	A55179	Handle Screw <i>Red</i>
	—	A55180	Handle Screw <i>Blue</i>
	—	A55165	Handle Screw <i>Chrome</i>
16	—	A55163	Blade Handle <i>Hot</i>
	—	A55164	Blade Handle <i>Cold</i>
17	—	A55157	Metal Stem Assembly <i>Hot</i>
	—	A55158	Metal Stem Assembly <i>Cold</i>



GERBER

KITCHEN FAUCET

Series 42-116, 42-216, 42-250, 42-260, 42-270, 42-416, 42-426



Item No.	Stock No.	OEM Ref No.	Description
1	—	96-220	Spout
2	—	92-670	Spout
3	—	98-251	Spout
4	10481	92-382	15/16 Female Aerator
5	10483	91-572	15/16 Male Aerator
6	35746B	92-730	Spout O-Ring
7	35731B	92-660	Spout O-Ring
8	—	94-251	Hot Index Button for New Style Handle
	—	94-252	Cold Index Button for New Style Handle
9	35639B	90-700	Handle Screw
10	—	97-908	Hot Handle <i>New Style</i>
	—	97-909	Cold Handle <i>New Style</i>
11	25748B	94-445	Hot Index Button
	25749B	94-446	Cold Index Button
12	88088	—	(1) Pair Handles (<i>carded</i>)
13	35578B	90-331	Cap Thread Gasket
14	35725B	90-300	Stem O-Ring 2 Required
15	35064B	90-340	1/4 Flat Bibb Washer
16	35154B	90-092	Bibb Screw <i>Chrome Plated</i>
17	15339E	90-292	Stem with Bonnet R.H. Hot
	15340E	90-293	Stem with Bonnet L.H. Cold
18	30027E	90-161	Bibb Seat <i>Brass</i>

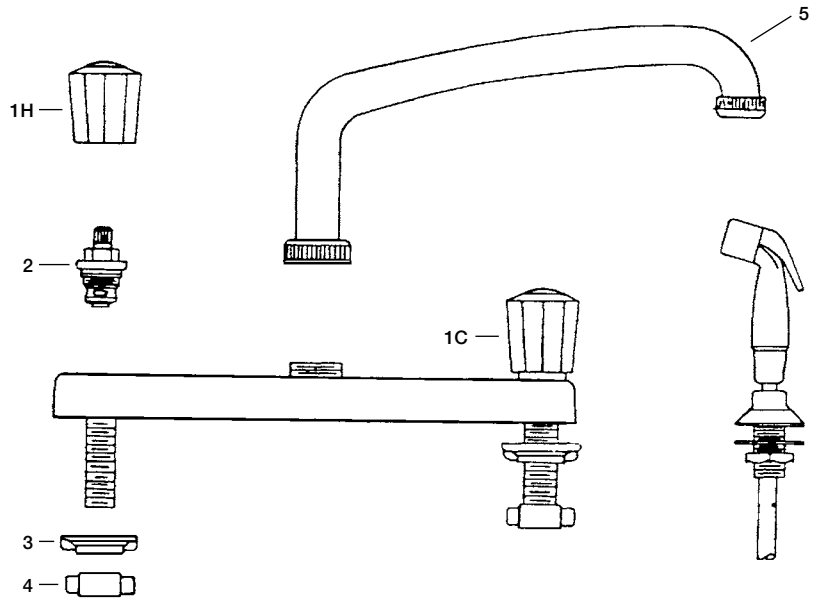
Item No.	Stock No.	OEM Ref No.	Description
19	—	—	Spout Nut
20	35742B	92-631	Spout Post O-Ring
21	—	92-630	Spout Post with O-Rings
22	—	94-050	Spray Diverter (<i>Upper</i>)
23	—	94-051	Spray Diverter (<i>Lower</i>)
24	80762	94-100	Spray Head & Hose Assembly
25	86948	98-360	Spray Hose Guide
26	—	93-470	Washer
27	36476B	93-461	Basin Washer
28	73113B	91-630	Locknut
29	—	91-000	Slip Joint Nut
30	—	98-710	Stem with Bonnet <i>Washerless</i> R.H. Hot
	—	98-711	Stem with Bonnet <i>Washerless</i> L.H. Cold
31	80681	—	(1) Pair Handles

REPAIRS FOR

GERBER

KITCHEN FAUCET

Series 43-571, 43-572, Also Repairs *Streamway*



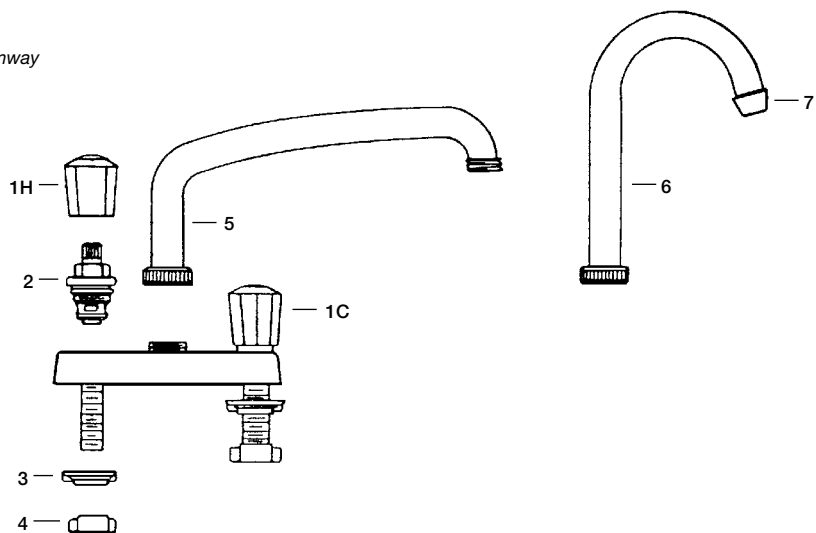
Item No.	Stock No.	OEM Ref No.	Description
1H	—	98-815	Handle Assembly <i>Hot</i>
1C	—	98-814	Handle Assembly <i>Cold</i>
2	16112E	97-513	Washerless Cartridge Assembly
3	73113B	91-611	Locknut
4	—	91-999	Supply Nut
5	—	98-820	Spout Assembly

REPAIRS FOR

GERBER

BAR & LAUNDRY FAUCETS

Series 49-351, 49-520, Also Repairs *Streamway*

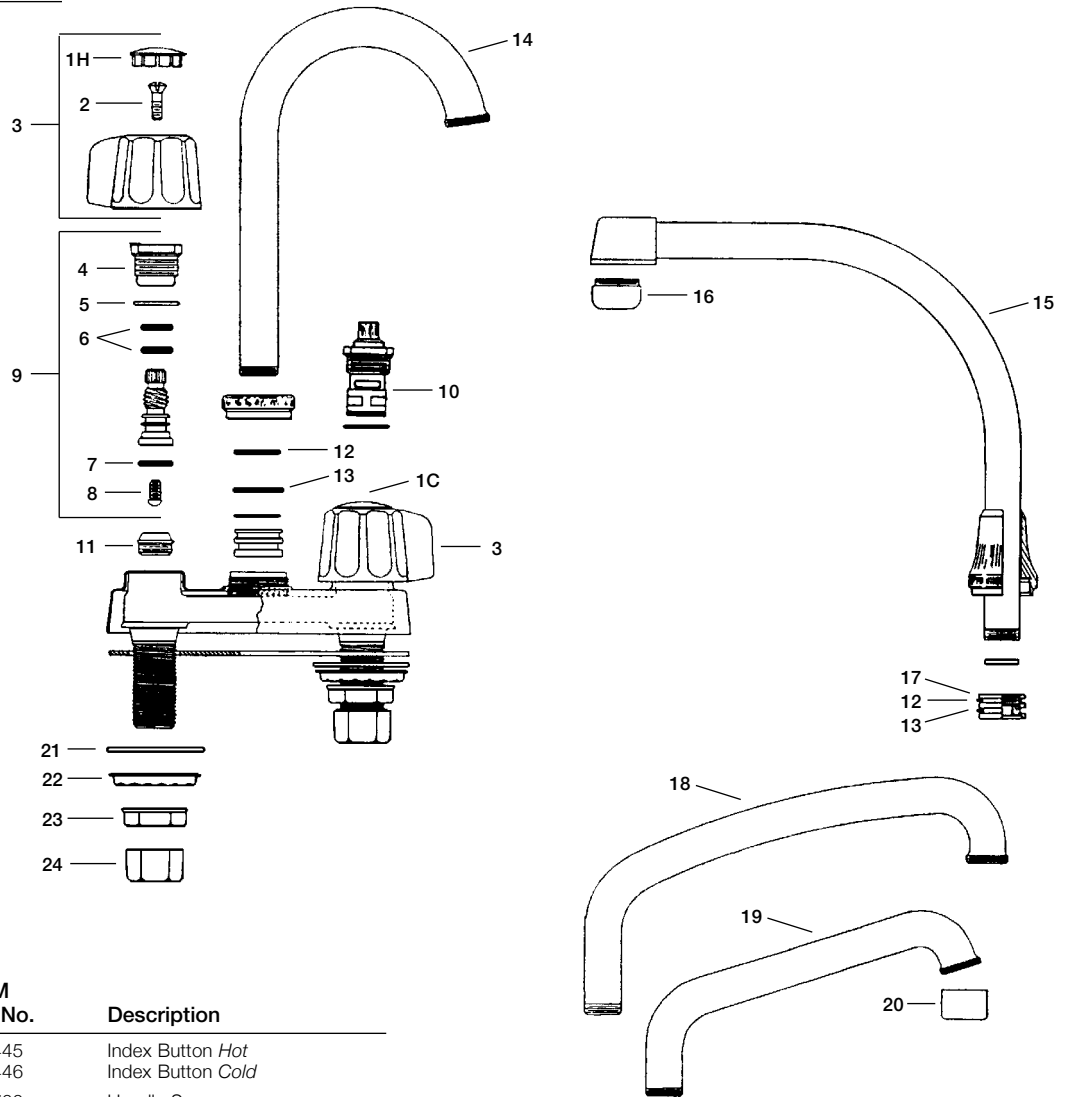


Item No.	Stock No.	OEM Ref No.	Description
1H	—	98-815	Handle Assembly <i>Hot</i>
1C	—	98-814	Handle Assembly <i>Cold</i>
2	16112E	97-513	Washerless Cartridge Assembly
3	73113B	91-611	Locknut
4	—	91-999	Supply Nut
5	—	98-819	Spout Assembly for Laundry Faucet
6	—	98-821	Spout Assembly for Bar Faucet
7	10483	92-382	Aerator

GERBER

LAUNDRY & BAR FAUCET

Housing Type

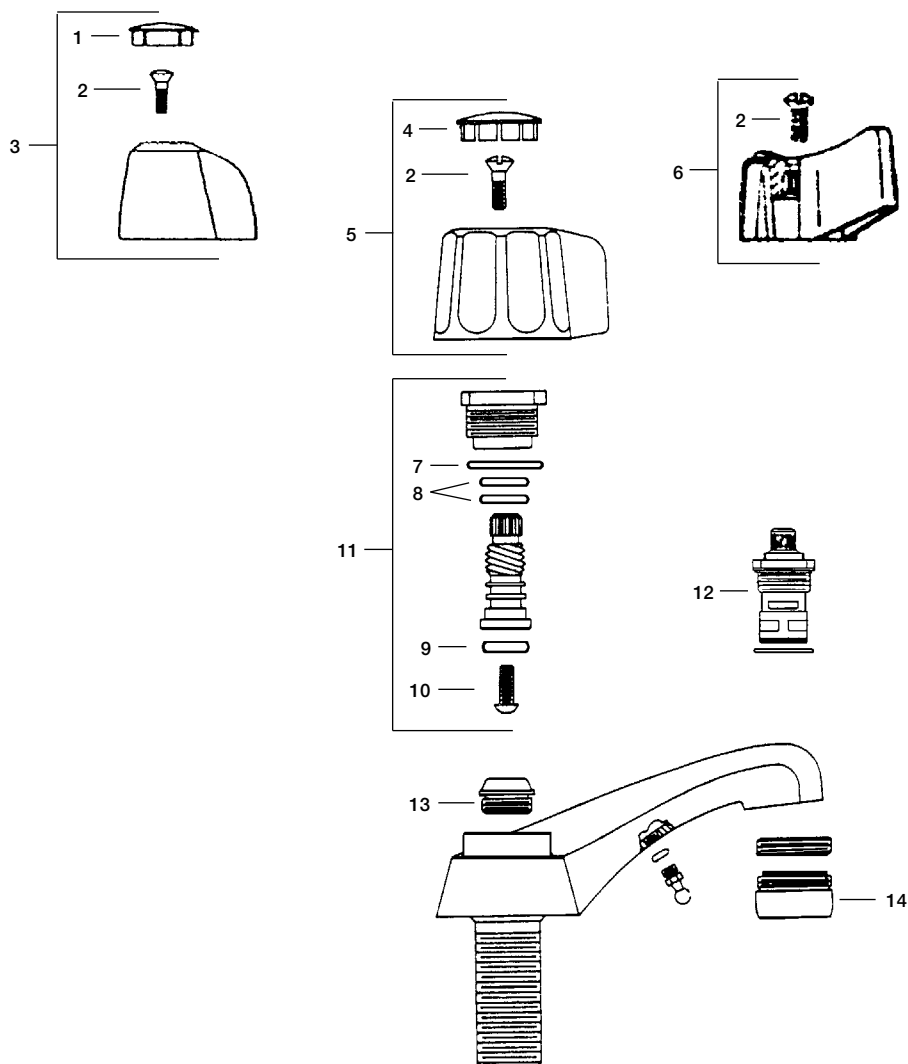


Item No.	Stock No.	OEM Ref No.	Description
1H	25748B	94-445	Index Button <i>Hot</i>
1C	25749B	94-446	Index Button <i>Cold</i>
2	35639B	90-700	Handle Screw
3	88088	—	(1) Pair Handles
4	—	90-282	Bonnet <i>Hot</i>
		90-283	Bonnet <i>Cold</i>
5	35549B	90-331	Washer
6	35725B	90-300	O-Ring
7	35064B	90-340	1/4 Flat Bibb Washer
8	—	90-092	Screw
9	15339E	90-292	Stem Assembly <i>Hot</i>
	15340E	90-293	Stem Assembly <i>Cold</i>
10	—	98-710	Washerless Stem Unit <i>Hot</i>
		98-711	Washerless Stem Unit <i>Cold</i>
11	30027E	90-161	Seat
12	35746B	92-730	O-Ring
13	35731B	92-660	O-Ring
14	—	98-246	Bar Spout
15	—	98-251	Easy Filler Spout
16	10483	91-572	Aerator for <i>Easy Filler Spout</i> Only
17	—	—	Bushing
18	—	92-670	8" Tube Spout
19	—	98-242	6" Tube Spout
20	10481	92-382	Aerator
21	—	93-470	Washer
22	36476B	91-650	Rosette Washer
23	73113B	91-630	Locknut
24	—	91-000	Nut

GERBER

LAVATORY FAUCET

Series 43-410, 43-430

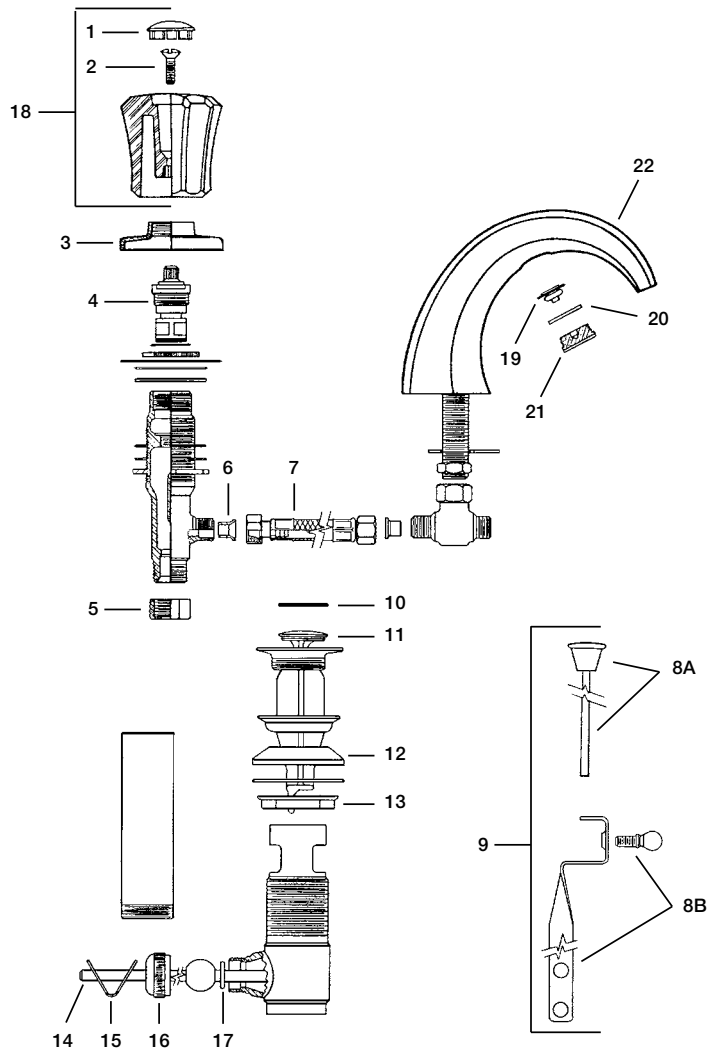


Item No.	Stock No.	OEM Ref No.	Description
1	—	94-251	Index Button <i>Hot</i> for New Style Handle
	—	94-252	Index Button <i>Cold</i> for New Style Handle
2	35639B	90-700	Handle Screw
3	—	97-908	Handle <i>Hot</i> New Style
	—	97-909	Handle <i>Cold</i> New Style
4	25748B	94-445	Index Button <i>Hot</i>
	25749B	94-446	Index Button <i>Cold</i>
5	—	98-797	Handle <i>Hot</i>
	—	98-797	Handle <i>Cold</i>
	88088	—	(1) Pair Handles
6	80681	—	(1) Pair Handles
7	35578B	90-331	Cap Thread Gasket
8	35725B	90-300	Stem O-Ring 2 Required
9	35064B	90-340	1/4 Flat Bibb Washer
10	35154B	90-092	#17 Bibb Screw <i>Chrome Plated</i>
11	15339E	90-292	Stem with Bonnet <i>R.H. Hot</i>
	15340E	90-293	Stem with Bonnet <i>L.H. Cold</i>
12	—	98-710	Stem with Bonnet <i>Washerless R.H. Hot</i>
	—	98-711	Stem with Bonnet <i>Washerless L.H. Cold</i>
13	30027E	90-161	Bibb Seat <i>Brass</i>
14	—	—	15/16 Male Aerator
	10483	91-572	15/16 Male Aerator
	—	—	15/16 Male Economy Aerator

GERBER

SEA SPOUT WIDESPREAD LAVATORY FAUCETS

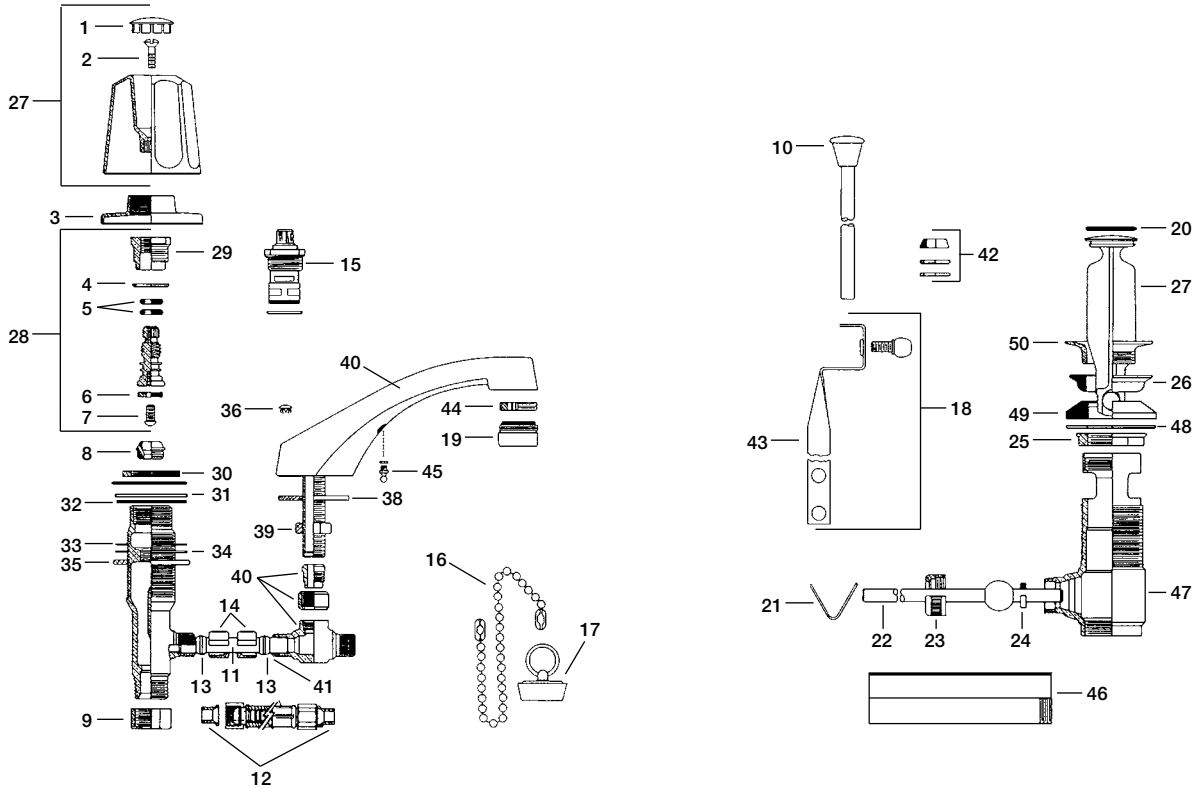
Washerless and Compression
Stem-and-Bonnet Combination



Item No.	Stock No.	OEM Ref No.	Description
1	25748B 25749B	94-445 94-446	Button <i>Hot</i> Button <i>Cold</i>
2	35639B	90-700	Screw
3	—	91-462	Escutcheon <i>Chrome</i>
4	—	98-710	Washerless Unit Hot & Cold
5	—	91-000	Nut
6	—	91-001	Plastic Nosepiece
7	—	91-002	Flexible Connector
8A	—	97-732	Pop-Up Knob & Rod <i>Chrome</i>
8B	—	97-340	Extension Assembly
9	81075	—	Complete Pop-Up Knob & Rod Assembly
10	35740B	90-741	O-Ring
11	—	90740	Plunger <i>Chrome</i>
12	36561B	90-873	Mack Washer
13	—	90-771	Locknut
14	—	97-730	Ball Rod
15	34808B	90-809	Clevis
16	34667B	90-833	Nut
17	—	90-832	Washer
18	88806	—	(1) Pair Handles
19	—	89-056	Flow Control Disc
20	—	90-331	Washer
21	—	89-063	Flow Control Plug <i>Chrome</i>
22	—	86-173	"C" Spout S/A <i>Chrome</i>

GERBER

WIDESPREAD LAVATORY FAUCET (SINCE NOV 1978)



Item No.	Stock No.	OEM Ref No.	Description
1	25748B 25749B	94-445 94-446	Handle Button <i>Hot</i> Handle Button <i>Cold</i>
2	35639B	90-700	Handle Screw
3	—	91-462	Escutcheon
4	35549B	90-331	Washer
5	35725B	90-300	O-Ring
6	35064B	90-340	1/4 Flat Bibb Washer
7	—	90-292	Screw
8	30027E	91-015	Seat
9	—	91-000	Nut
10	—	97-732	Pop-Up Rod Knob
11	—	91-002	Flexible Connector
12	—	91-001	Plastic Nosepiece
13	35915B	91-003	Ferrule
14	50334B	91-009	Ferrule Nut
15	—	98-710	Washerless Stem Unit
16	—	91-680	Beaded Chain
17	35976B	92-490	Stopper
18	—	—	Lower Rod Assembly
19	10483	91-572	Aerator
20	35740B	90-741	O-Ring
21	34808B	90-809	Clevis
22	—	97-730	Ball Rod
23	34667B	90-833	Nut
24	—	90-832	Washer
25	—	90-771	Locknut
26	—	90-874	Washer
27	88860	—	(1) Pair Handles
28	15339E 15340E	— —	Stem Assembly, Hot Stem Assembly, Cold
29	—	90-282	Bonnet

Item No.	Stock No.	OEM Ref No.	Description
30	—	91-022	Locknut
31	—	91-902	Washer
32	—	91-911	Washer
33	—	91-910	Washer
34	—	91-901	Washer
35	—	91-580	Locknut
36	—	90-110	Button
37	—	98-236 98-235	Spout <i>Not Drilled for Pop-Up</i> Spout <i>Drilled for Pop-Up</i>
38	—	91-008	Washer
39	—	91-007	Nut
40	—	98-232	Tee with Nosepiece & Nut
41	—	90-910	Tube
42	—	98-315	Packing
43	—	90-806	Extension
44	—	90-221	Flow Strainer
45	35775B	92-230	O-Ring
46	—	90-782	Tailpiece
47	—	96-471	Tee
48	—	90-882	Follower
49	36562B	90-873	Mack Washer
50	—	90-731	Flange

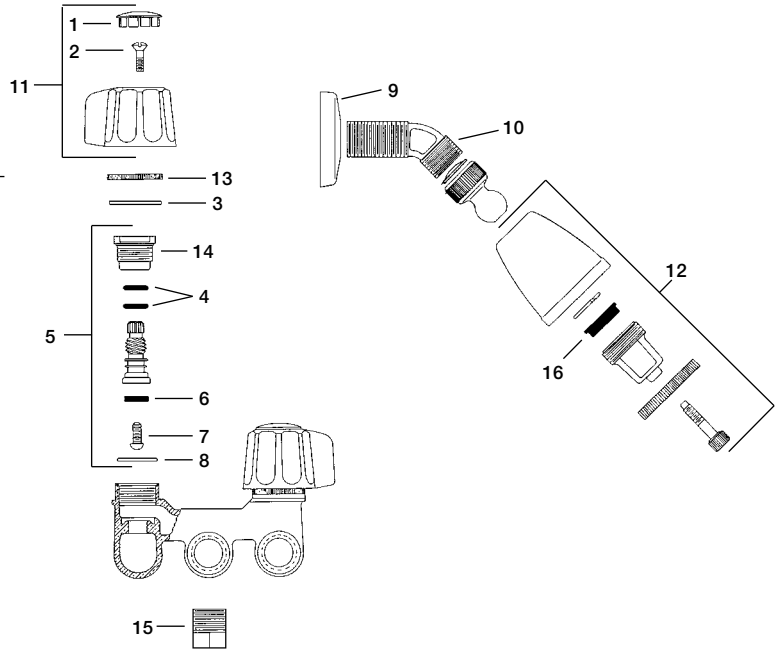
REPAIRS FOR

GERBER

SHOWER FIXTURE

Series Cabinet Valve Assembly

Item No.	Stock No.	OEM Ref No.	Description
1	25748B 25749B	94-445 94-446	Hot Handle Button Cold Handle Button
2	35639B	90-700	Handle Screw
3	—	90-310	Washer (10 per Pak)
4	35725B	90-300	O-Ring
5	15339E 15340E	90-292 90-293	Hot Stem Cold Stem
6	35064B	90-340	1/4 Flat Bibb Washer
7	—	90-092	Screw
8	35549B	90-331	Washer
9	89070	90-650	Flange
10	89161	96-661	Arm
11	88088	—	(1) Pair Handles
12	—	—	Showerhead
13	—	90-590	Locknut
14	—	90-282 92-283	Hot Bonnet Cold Bonnet
15	54067BE	90-501	Plug
16	—	92-036	Seal



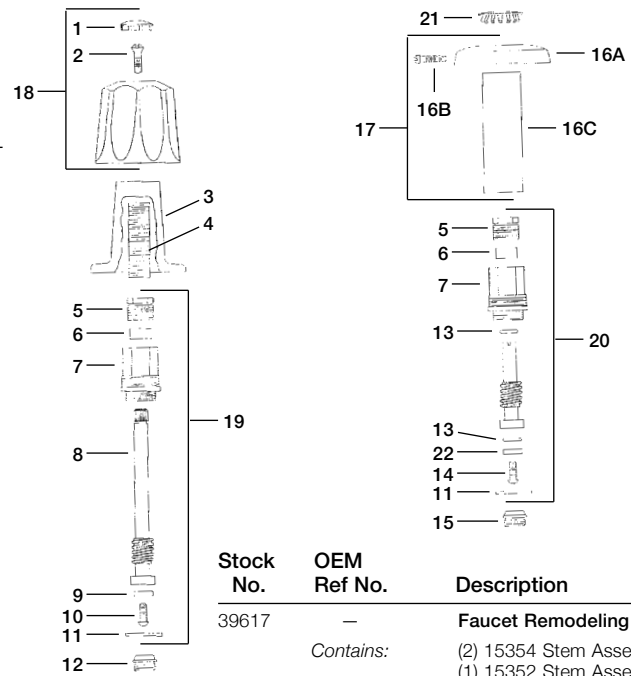
REPAIRS FOR

GERBER

SHOWER FIXTURE

Straight Pattern Shower Valve / Partition Stops

Item No.	Stock No.	OEM Ref No.	Description
1	25748B 25749B	94-445 94-446	Hot Handle Button Cold Handle Button
2	35639B	90-700	Screw
3	—	90-268	Escutcheon
4	38055Z	90-067	Nipple
5	—	90-040	Bushing
6	36629B	90-460	Packing
7	—	96-720	Bonnet
8	15353B	—	H/C Stem
9	35065B	90-340	Washer
10	—	90-092	Screw
11	35549B	90-940	Washer
12	30027E	90-161	Seat
13	35725B	90-300	O-Ring
14	—	90-099	Screw (Monel)
15	—	90-169	Seat (Monel)
16A	—	90-262	Escutcheon
16B	—	90-481	Set Screw
16C	—	90-021	Sleeve
17	10307	—	Escutcheon & Sleeve
18	88860	—	(1) Pair Handles
19	15354B	—	(1) Pair Stem Assembly
20	—	—	Stop Stem Assembly
21	—	92-080	Handle Button
22	—	90-349	Washer (Monel)

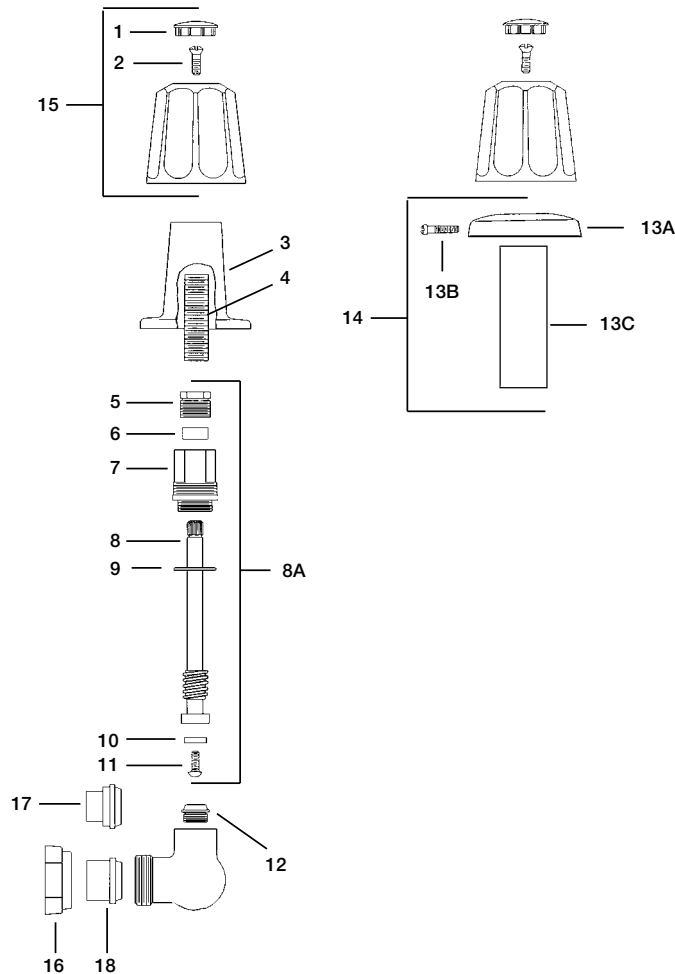


Stock No.	OEM Ref No.	Description
39617	—	Faucet Remodeling Kit
Contains:		(2) 15354 Stem Assembly Hot/Cold
		(1) 15352 Stem Assembly Diverter
		(3) 30027 Bibb Seat
		(1) 20241 Handle Pair Hot & Cold
		(1) 20242 Handle Diverter
		(3) 34524 Escutcheon Flange
		(3) 34522 Escutcheon Sleeve
		(1) 60901 Bonnet Wrench

GERBER

SHOWER FIXTURE

Corner Pattern Shower Valve



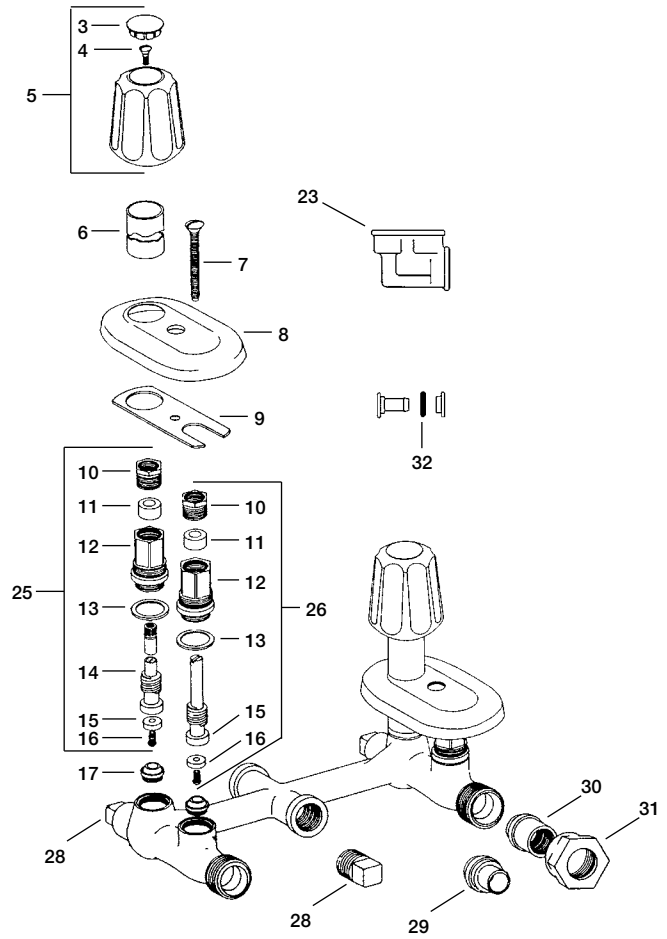
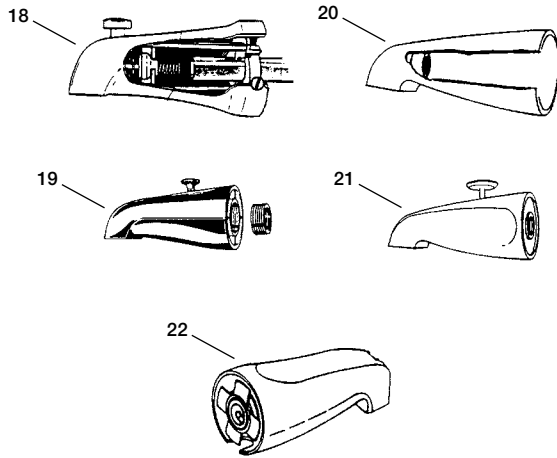
Item No.	Stock No.	OEM Ref No.	Description
1	25748B 25749B	94-445 94-446	Hot Handle Button Cold Handle Button
2	35639B	90-700	Handle Screw
3	—	90-268	Escutcheon
4	38055Z	90-067	Nipple
5	—	90-040	Bushing
6	36629B	90-460	Packing
7	—	96-720	Bonnet
8	15353B	96-717	Hot & Cold Stem
8A	15354B	—	Hot & Cold Stem Complete Unit
9	35549B	90-940	Washer
10	35065B	90-340	Washer
11	38819	90-092	Screw
12	30027E	90-161	Seat
13A	—	90-262	Escutcheon
13B	—	90-481	Set Screw
13C	—	90-021	Sleeve
14	10307	—	Escutcheon & Sleeve
15	88860	—	(1) Pair Handles
16	—	96-690	Coupling Nut
17	—	90-171	Sweat Coupling
18	—	90-170	I.P.S. Coupling

Stock No.	OEM Ref No.	Description
39617	—	Faucet Remodeling Kit
	<i>Contains:</i>	(2) 15354 Stem Assembly Hot/Cold (1) 15352 Stem Assembly Diverter (3) 30027 Bibb Seat (1) 20241 Handle Pair Hot & Cold (1) 20242 Handle Diverter (3) 34524 Escutcheon Flange (3) 34522 Escutcheon Sleeve (1) 60901 Bonnet Wrench

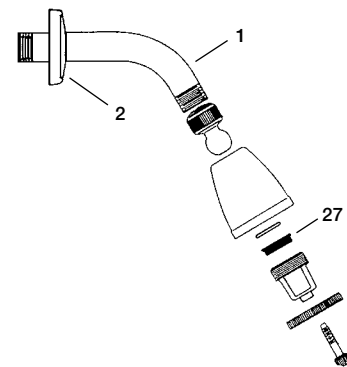
GERBER

TUB & SHOWER FIXTURE

8" Two-Valve with Diverter & Integral Stops



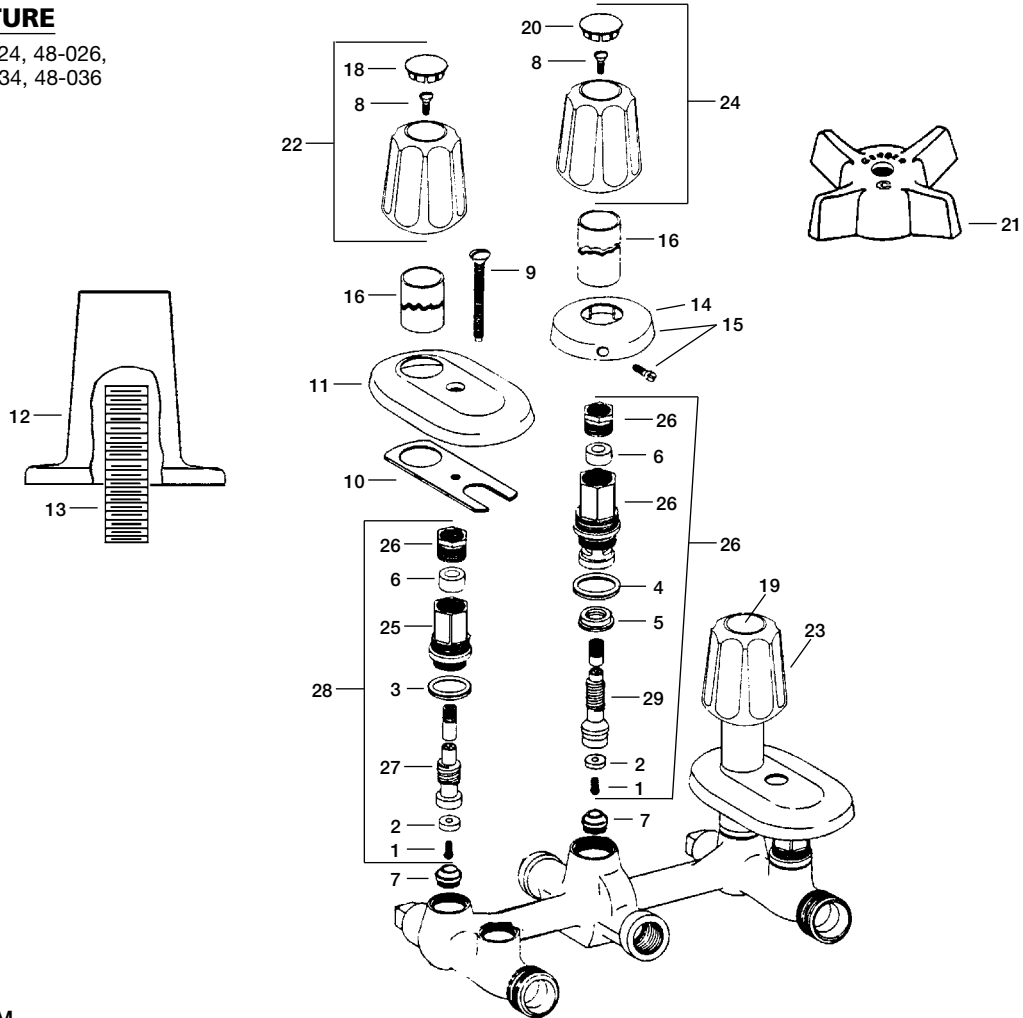
Item No.	Stock No.	OEM Ref No.	Description
1	89180	92-012	Shower Arm
2	89070	92-021	Shower Arm Flange
3	25748B	94-445	Hot Handle Button
	25749B	94-446	Cold Handle Button
4	35639B	90-700	Handle Screw
5	88860	—	(1) Pair Handles
6	—	90-021	Sleeve
7	—	90-230	Screw
8	—	90-263	Escutcheon
9	—	90-251	Plate
10	—	90-040	Bushing
11	36629B	90-460	Packing
12	—	96-720	Bonnet
13	35549B	90-940	Washer
14	15353B	96-717	Stem
15	35065B	90-340	Washer
16	—	90-092	Screw
17	30027E	90-161	Seat
18	88434	98-241	Slip Spout w/Diverter (for copper pipe)
19	80765	92-573	Spout w/Diverter
20	—	92-600	Spout w/o Diverter Brass
	80764	90-275	Econo Spout
21	—	92-570	Spout w/Diverter Brass
22	89162	98-240	Spout w/o Diverter
23	—	92-575	Twin Ell
24	—	—	Showerhead
25	15354B	—	Stem Assembly
26	—	—	Stop Stem Assembly
27	—	92-036	Seal
28	54067BE	90-501	Plug
29	—	90-171	Sweat Coupling
30	—	90-170	Coupling
31	—	96-690	Coupling Nut
32	—	90-495	O-Ring



GERBER

TUB & SHOWER FIXTURE

Series 48-020, 48-021, 48-024, 48-026,
48-030, 48-031, 48-034, 48-036



Item No.	Stock No.	OEM Ref No.	Description
1	35064B	90-340	1/4 Flat Bibb Washer
2	35153B	90-092	Plated Bibb Screw <i>Chrome</i>
3	35549B	90-940	Cap Thread Gasket
4	35560B	90-311	Cap Thread Gasket
5	35693B	90-380	Diverter Washer
6	35207B	—	Bonnet Packing
	36629B	90-460	Cloth Inserted Packing
7	30027E	90-161	Bibb Seat <i>Brass</i>
8	35639B	90-700	Handle Screw
9	—	90-230	Screw
10	—	90-251	Escutcheon Plate
11	—	90-263	Escutcheon
12	—	90-268	Escutcheon
13	38055Z	90-067	Nipple
14	—	90-262	Escutcheon
15	—	97-600	Escutcheon w/Set Screw
16	—	90-021	Sleeve
	10307	—	Escutcheon w/Set Screw & Sleeve
17	54067BE	90-501	Plug
18	25748B	94-445	Hot Index Button
19	25749B	94-446	Cold Index Button
20	25750B	94-447	Diverter Index Button
21	88090	—	(1) Pair Handles
22	—	94-402	Hot Handle
	—	98-793	Hot Handle
23	—	94-402	Cold Handle
	88860	—	(1) Pair Handles

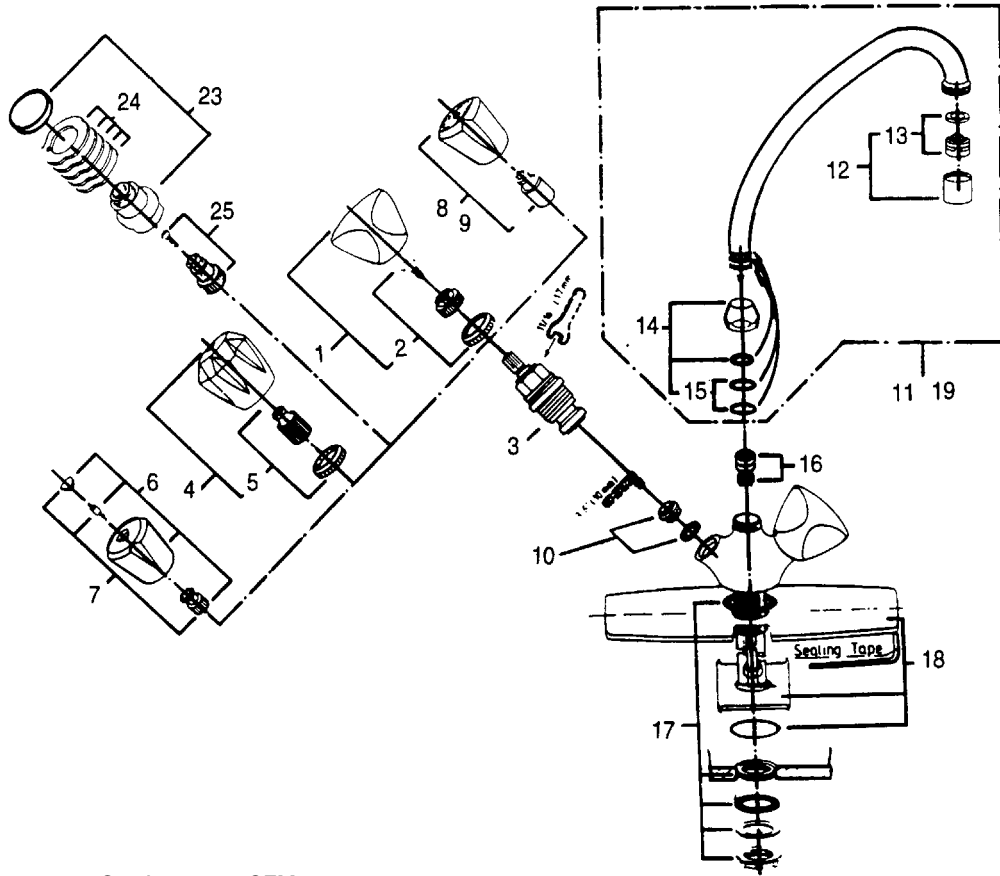
Item No.	Stock No.	OEM Ref No.	Description
24	88861	—	Diverter Handle
25	—	—	Bonnet for Hot & Cold
	—	—	Bonnet for Diverter
26	—	90-040	Packing Nut
27	15353B	96-717	Stem R.H. Hot & Cold
28	15354B	—	Stem with Bonnet R.H. Hot & Cold
29	—	96-730	Stem Diverter
30	15352B	98-726	Stem with Bonnet Diverter

Stock No.	OEM Ref No.	Description
124144	—	Diverter Stem Repair Kit
	<i>Contains:</i>	(1) 35065 Flat Bibb Washer
		(1) 35153 Chrome Plated Brass Bibb Screw
		(1) 30027 Brass Bibb Seat
		(1) 36626 Cloth Inserted Bonnet Packing
		(1) 97115 Cap Thread Gasket
		(1) 35693 Diverter Washer
124140	—	Stem Repair Kit
	<i>Contains:</i>	(1) 35065 Flat Bibb Washer
		(1) 35153 Chrome Plated Brass Bibb Screw
		(1) 30027 Brass Bibb Seat
		(1) 36626 Cloth Inserted Bonnet Packing
		(1) 35549 Cap Thread Gasket

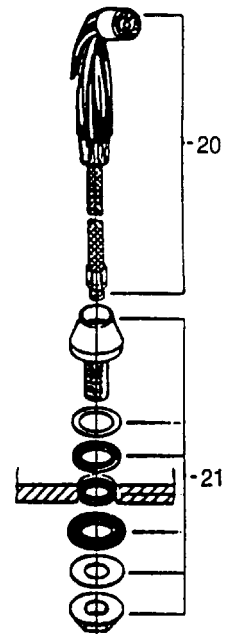
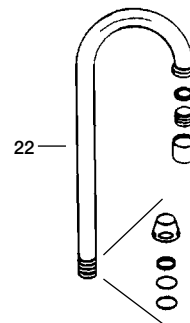
GROHE

CLASSIC KITCHEN & BAR FAUCETS

Series 31.735, 31.714, 31.739, 31.747, 31.724, 31.736, 31.746, 31.771, 31.713, 31.054, 31.055, 31.766, 31.746, 31.710, 31.056, 31.060, 31.820, 31.772, 31.058



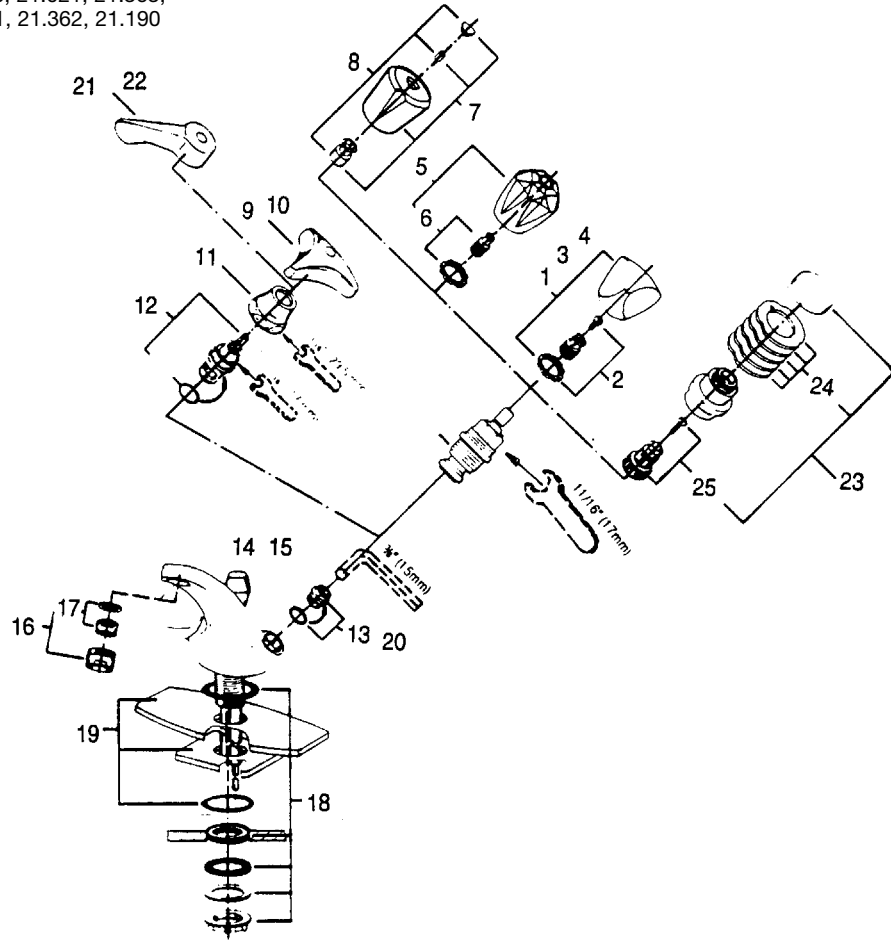
No.	Item No.	Stock Ref No.	OEM Description
1	—	06.486	TDL Handle <i>Chrome</i>
2	—	45.001	TDL Handle Connection Set
3	18553B	07.146	Cartridge
4	—	06.705	Diamond Handle
5	—	45.003	Handle Connection Set
6	—	45.122	Metal Handle <i>Chrome</i>
7	—	45.121	Metal Handle Connection Set <i>Chrome</i>
8	—	07.786	Acrylic Handle <i>Blue</i>
9	—	07.787	Acrylic Handle <i>Red</i>
10	—	45.023	Renewable Seat Set
11	—	13.047	7-3/4" Swivel Spout <i>Chrome</i>
12	—	13.954	Flow Regulator <i>Chrome</i>
13	—	45.220	Flow Regulator Set
14	—	45.006	Spout Fitting Set <i>Chrome</i>
15	35728B	01.285	Spout O-Ring Seal
16	—	07.510	Diverter Assembly
17	—	45.051	Mounting Set
18	—	07.543	10" Escutcheon <i>Chrome</i>
19	—	13.048	9-1/2" Swivel Spout <i>Chrome</i>
20	80762	27.824	Hose & Spray <i>Chrome</i>
21	86948	28.729	Spray Holder <i>Chrome</i>
22	—	13.056	10" Swivel Spout <i>Chrome</i>
23	—	18.906IR	Ultra Handle Pair
24	—	45.205R	Polished Brass Discs Pack of 6
25	—	45.186	Handle Connection Set



GROHE

CLASSIC CENTERSET LAVATORY FAUCET

Series 21.318, 21.285, 21.175, 21.176, 21.186, 21.021, 21.363,
21.364, 21.347, 21.286, 21.360, 21.361, 21.362, 21.190



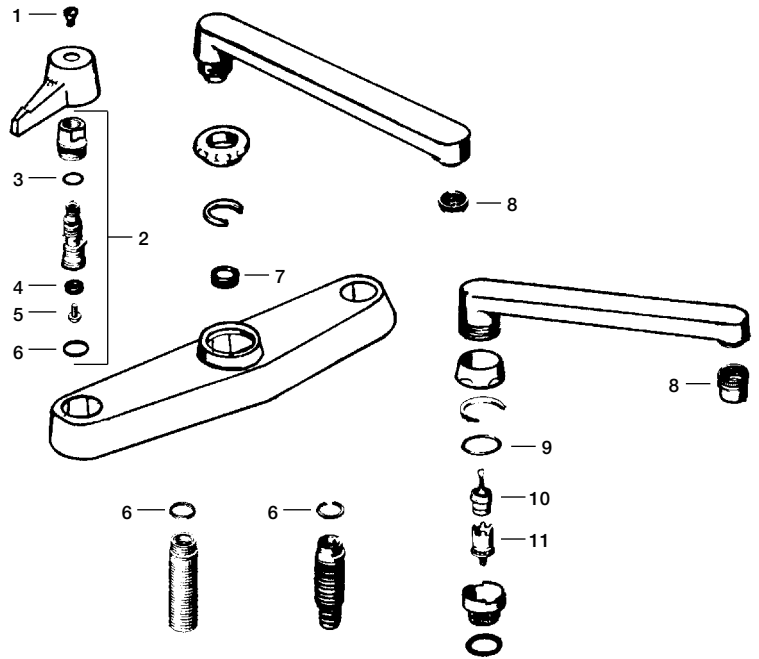
Item No.	Stock No.	OEM Ref No.	Description
1	—	06.486	Handle
2	—	45.001	Handle Connection Set
3	—	06.487	Handle <i>Blue</i>
4	—	06.488	Handle <i>Red</i>
5	—	06.705	Diamond Handle
6	—	45.003	Handle Connection Set
7	—	45.122	Metal Handle
8	—	45.121	Handle Connection Set
9	—	06.113	Tricom Handle <i>Blue</i>
10	—	06.114	Tricom Handle <i>Red</i>
11	—	01.702	Cap
12	18553B	07.146	Cartridge
13	30176	45.023	Renewable Set Set
14	—	06.073	Lift Rod
15	—	06.078	Lift Rod for 21.021
16	—	13.955	Flow Regulator
17	—	45.220	Flow Regulator Set
18	—	45.012	Mounting Set
19	—	07.542	6" Escutcheon
20	—	45.098	Renewable Seat Set for 21.190
21	—	06.923	Lever Handle <i>Blue</i>
22	—	06.924	Lever Handle <i>Red</i>
23	—	18.906IR	(1) Pair Ultra Handles
24	—	45.205R	Discs Pack of 6
25	—	45.186	Handle Connection Set

REPAIRS FOR

HARCRAFT

SWING SPOUT DECK FAUCET

Exposed Ledge Type

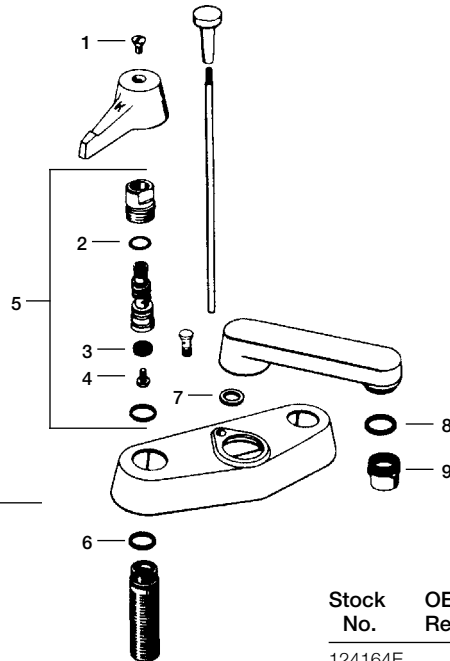


Item No.	Stock No.	OEM Ref No.	Description
1	35639B	1552	Handle Screw
2	15289E 15290E	3128 3129	Stem Assembly <i>Hot</i> Stem Assembly <i>Cold</i>
3	—	5278	O-Ring
4	35062B	1549	00 Flat Bibb Washer
5	—	2911	Seat Screw
6	—	5277	Washer
7	—	1566	Packing
8	10483	4133	Aerator
9	—	1581	O-Ring
10	—	2601-7	Spray Diverter (<i>Upper</i>)
11	—	2601-8	Spray Diverter (<i>Lower</i>)

REPAIRS FOR

HARCRAFT

LAVATORY FAUCET



Item No.	Stock No.	OEM Ref No.	Description
1	35639B	1552	Handle Screw
2	35725B	5278	O-Ring
3	35062B	1549	00 Flat Bibb Washer
4	38825	2911	Seat Screw
5	15289E 15290E	3128 3129	Stem Assembly <i>Hot</i> Stem Assembly <i>Cold</i>
6	35564B	5277	Gasket
7	35724B	5319	O-Ring
8	—	5431	Aerator Washer
9	10483	4130	Aerator

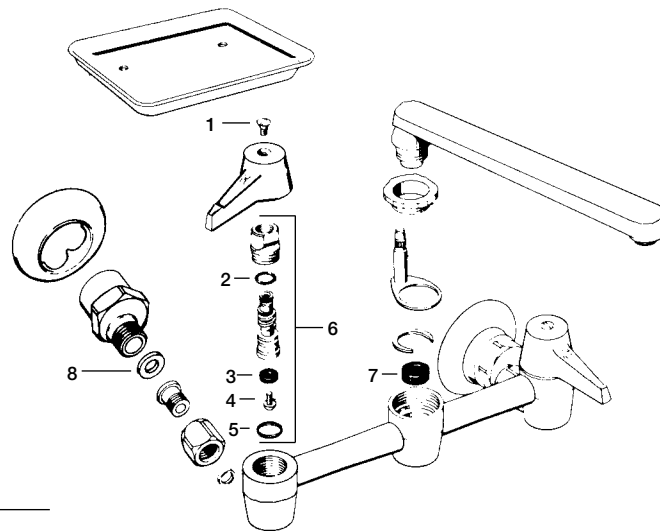
Stock No.	OEM Ref No.	Description
124164E	—	Stem Repair Kit
		<i>Contains:</i>
		(1) 35062 Washer
		(1) 35153 Bibb Screw
		(1) 30038 Seat
		(1) 35725 O-Ring
		(1) 35564 Gasket

REPAIRS FOR

HARCRAFT

SWING SPOUT BACK-MOUNT FAUCET

Series A-20-A-30



Item No.	Stock No.	OEM Ref No.	Description
1	35639B	1552	Handle Screw
2	—	5278	O-Ring
3	35062B	1549	00 Flat Bibb Washer
4	—	2911	Seat Screw
5	—	5277	Washer
6	15289E 15290E	3128 3129	Stem <i>Hot</i> Stem <i>Cold</i>
7	—	1566	Packing
8	35312B	1567	Fiber Washer

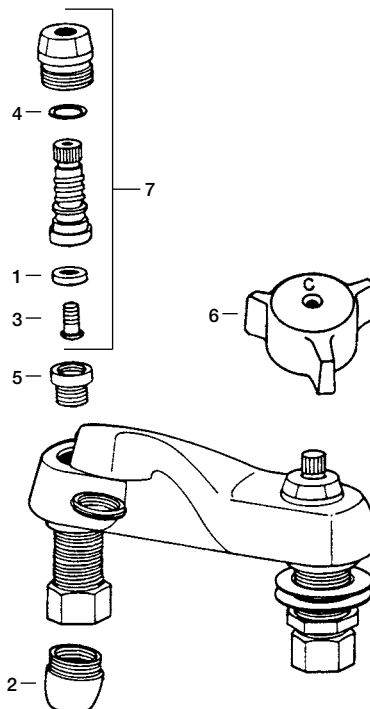
Stock No.	OEM Ref No.	Description
124164E	—	Stem Repair Kit
	<i>Contains:</i>	(1) 35062 Washer (1) 35153 Bibb Screw (1) 30038 Seat (1) 35725 O-Ring (1) 35564 Gasket

REPAIRS FOR

INDIANA BRASS

LAVATORY FAUCET

Series 631, 661

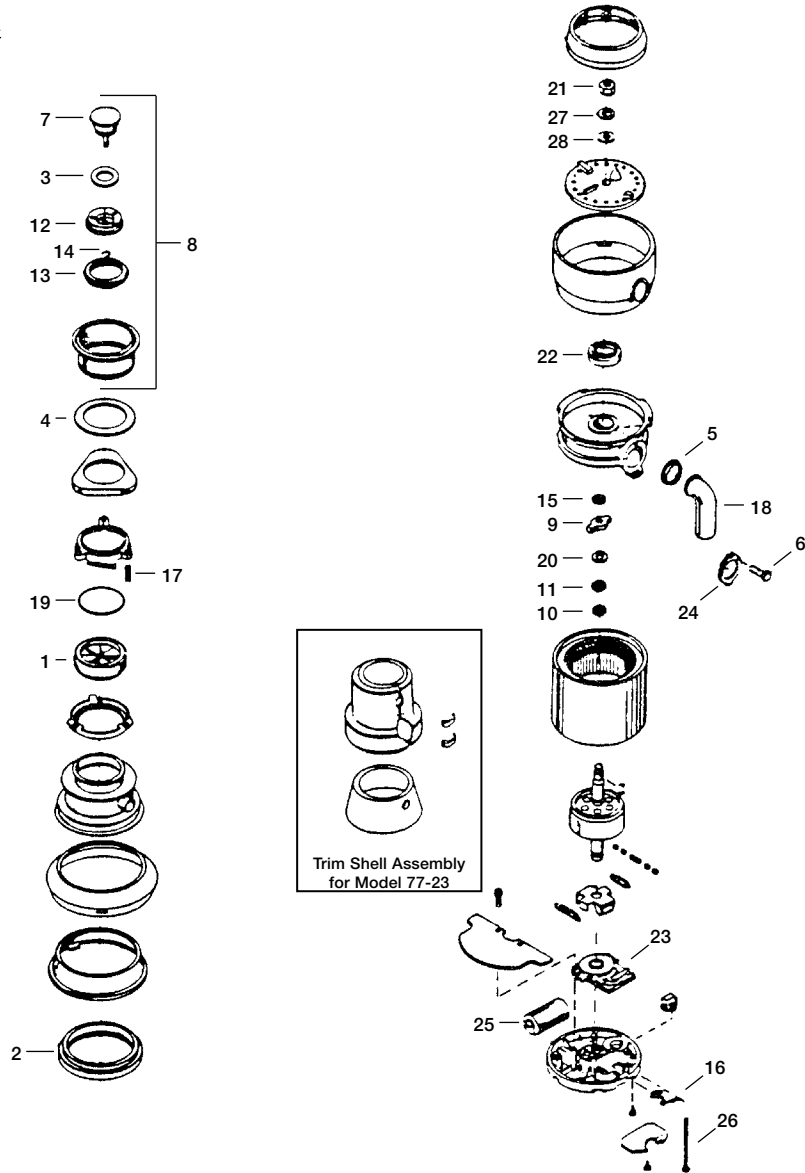


Item No.	Stock No.	OEM Ref No.	Description
1	35064B	—	1/4 Flat Bibb Washer
2	10483	M-200-LV	15/16M Aerator
3	35141B	—	Bibb Screw
4	35725B	—	O-Ring
5	30047E	27623	Bibb Seat
6	—	SA-04-H SA-04-C	Hot Handle Cold Handle
7	15347E 15348E	SA-631-C-1 SA-631-C-2	Stem with Bonnet R.H. Hot Stem with Bonnet L.H. Cold

IN-SINK-ERATOR

FOOD WASTE DISPOSER

Models 77-12, 77-23



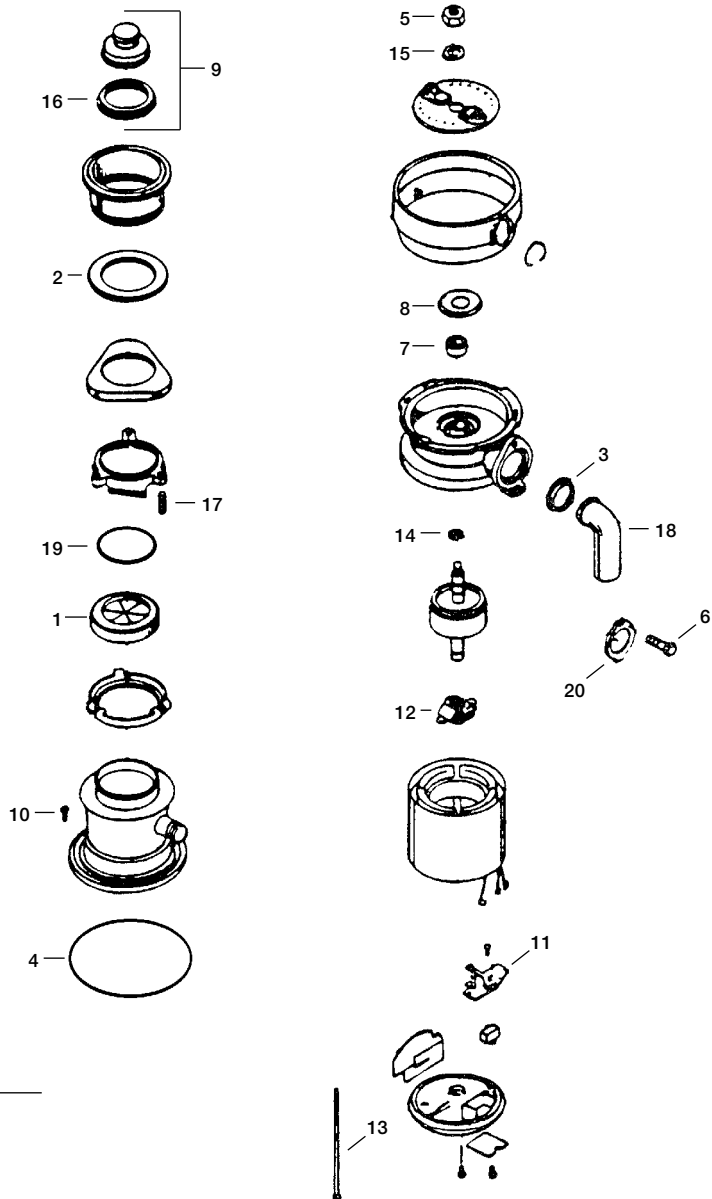
Item No.	Stock No.	OEM Ref No.	Description
1	—	1010-A	Mounting Gasket
2	—	1036	Stationary Shredder Seat
3	—	1144	Stopper Gasket
4	—	1160	Sink Hub Gasket
5	80348	1470	Tailpiece Washer
6	—	1491	Tailpiece Bolt
7	—	1875	Stopper Knob
8	—	1876	Stopper Assembly
9	—	1877	Thrust Washer
10	—	1925	Thrust Washer
11	—	1926	Thrust Washer
12	—	2364	Stopper Body
	—	5015-A	Stopper Body
13	—	5029	Stopper Grommet
14	—	5045	Stopper Snap Ring
15	—	5052	Oil Seat Retainer
16	—	5075	Screw Box Clamp
17	—	5147	Mounting Screw (3 Required)

Item No.	Stock No.	OEM Ref No.	Description
18	88003	5165	Tailpiece Elbow
19	—	5166	Snap Ring
20	—	5311	Fibre Thrust Washer
21	—	5345	Mounting Nut
22	—	5373	Face Seal
23	—	5379	Start-Reverse Switch
24	—	5490	Tailpiece Flange
25	—	5861	Capacitor (4 Required)
26	—	5949	Thru Motor Bolt (4 Required)
27	—	11351	Mounting Nut Washer
28	—	12141	Mounting Nut Gasket
	Stock No.	OEM Ref No.	Description
	88002	—	Repair Kit
		<i>Contains:</i>	(1) 73075 Tailpiece Bolt
			(1) 73076 Flange
			(1) 37594 Gasket

IN-SINK-ERATOR

FOOD WASTE DISPOSER

Models 333-SS-12, 333-34



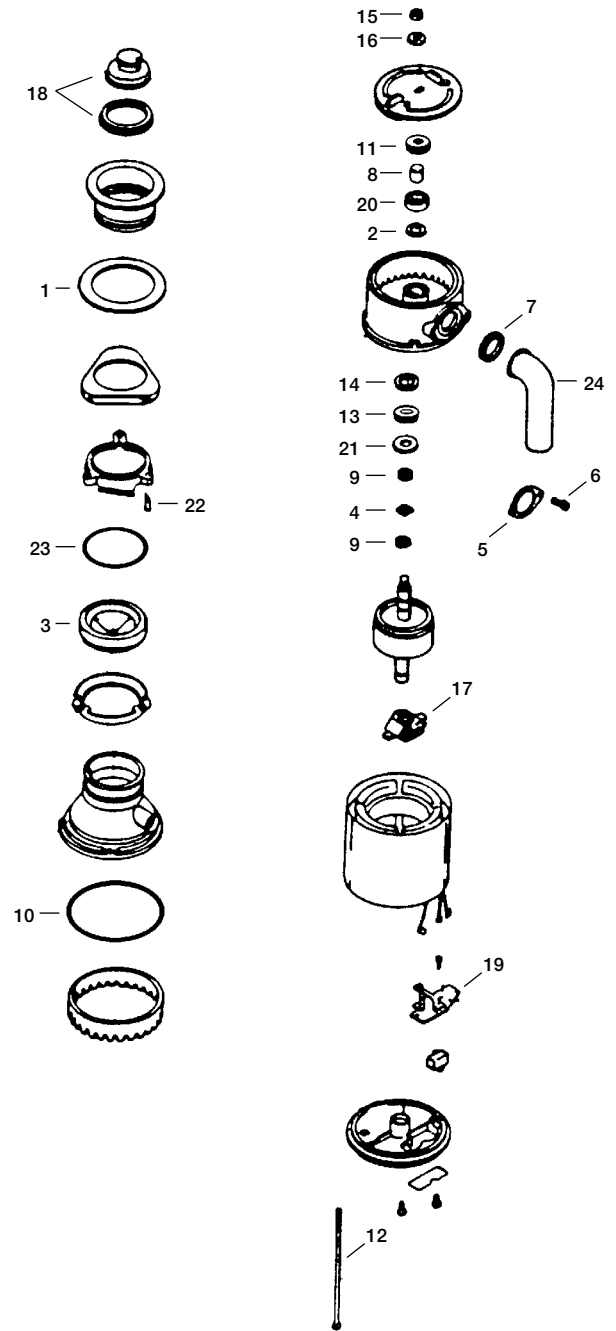
Item No.	Stock No.	OEM Ref No.	Description
1	—	1010-A	Mounting Gasket
	—	1439	Mounting Gasket
2	—	1160	Sink Hub Gasket
3	80348	1470	Tailpiece Gasket
4	—	1473	O-Ring
	—	2539	O-Ring
5	—	1490	Rotor Shredder Unit
6	—	1491	Tailpiece Screw
7	—	2326	Sleeve
8	—	2332	Slinger
9	—	2433	Stopper Assembly
	—	5032	Stopper Assembly
10	—	2439	Screw (3 Required)
11	—	2457	Start Switch
12	—	2467	Centrifugal Switch
13	—	2486-A	Thru Motor Bolt 2 Required
14	—	2642	Rubber Thrust Washer
15	—	2727	Rotor Shredder Washer
16	—	5029	Stopper Grommet
17	—	5147	Mounting Screw (3 Required)
18	88003	5165	Tailpiece Elbow
19	—	5166	Snap Ring
20	—	5490	Tailpiece Flange

Stock No.	OEM Ref No.	Description
88002	—	Repair Kit
	<i>Contains:</i>	(1) 73075 Tailpiece Bolt
		(1) 73076 Flange
		(1) 37594 Gasket

IN-SINK-ERATOR

FOOD WASTE DISPOSER

Models 6928, Badger V-II



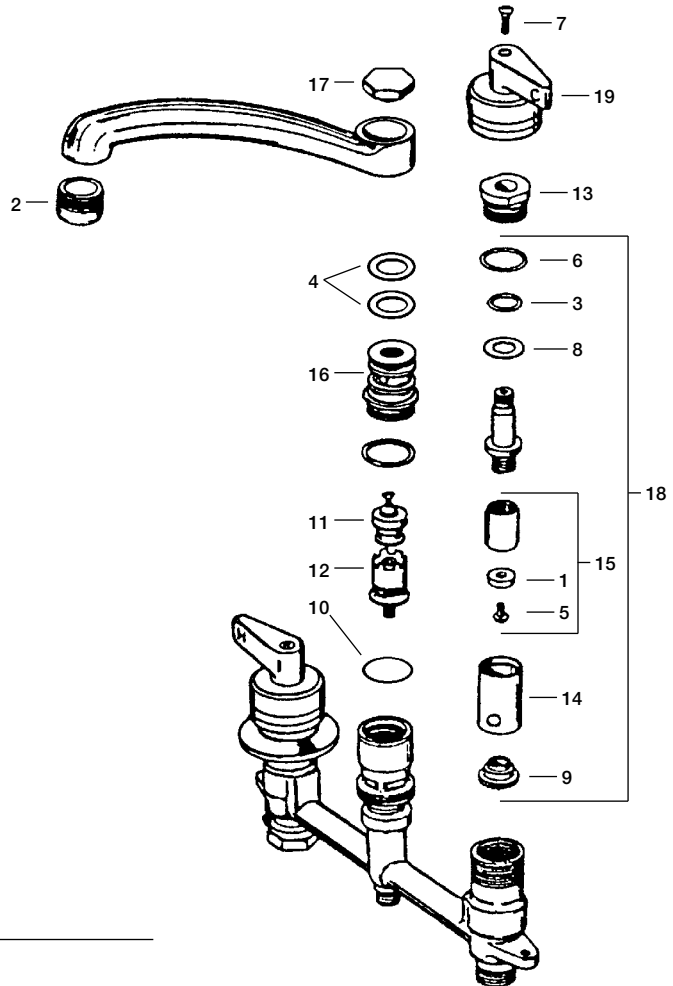
Item No.	Stock No.	OEM Ref No.	Description
1	—	1160	Sink Hub Gasket
2	—	1432	Thrust Washer
3	—	1439	Mounting Gasket
4	—	1457	Thrust Washer
5	—	1461	Tailpiece Flange
6	—	1468	Tailpiece Bolt
7	80348	1470	Tailpiece Washer
8	—	1471	Sleeve
9	—	1472	Thrust Washer
10	—	1473	O-Ring
11	—	1474	Slinger
12	—	1476	Thru Motor Bolt (4 Required)
13	—	1478	Felt Washer
14	—	1479	Felt Washer
15	—	1490	Shredder Mounting Nut
16	—	1493	Mounting Nut Washer
17	—	2236	Centrifugal Switch Assembly
18	—	2433	Stopper Assembly
19	—	2457	Start Switch
20	—	4250	Water Seal
21	—	5085	Wicking Retainer
22	—	5147	Sink Mounting Screw (3 Required)
23	—	5166	Snap Ring
24	88003	51643	Tailpiece
	—	5029	Stopper Grommet <i>Not Illustrated</i>

Stock No.	OEM Ref No.	Description
88002	—	Repair Kit
	<i>Contains:</i>	(1) 73075 Tailpiece Bolt
		(1) 73076 Flange
		(1) 37594 Gasket

KOHLER

KITCHEN FAUCET

Series Constellation

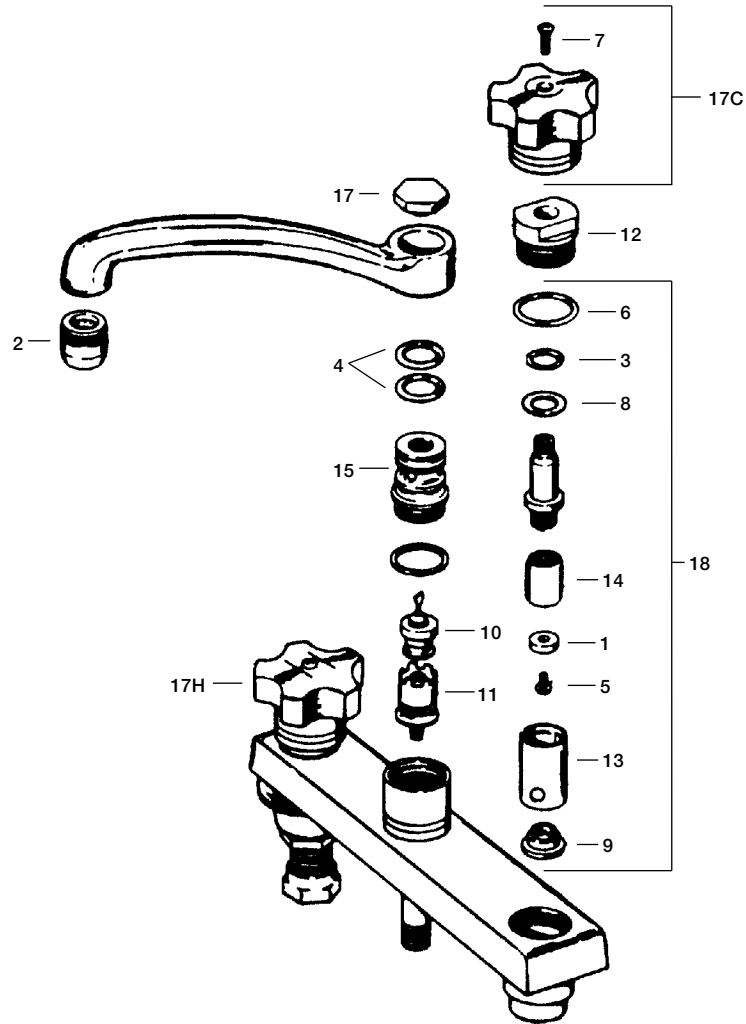


Item No.	Stock No.	OEM Ref No.	Description
1	35062B	20961	00 Flat Bibb Washer
2	10483	30072	15/16M Aerator
3	35726B	34263	O-Ring
4	35730B	40933	O-Ring 2 Required
5	—	34848	Handle Screw
6	35747B	34300	O-Ring
7	—	33357	Handle Screw (10 per Pak)
8	35347Z	34265	Top Bibb Ring
9	30055E	23004	Bibb Seat Brass
10	—	40819	Sleeve
11	—	39867	Spray Diverter (Upper)
12	—	39867	Spray Diverter (Lower)
13	—	20475	Bonnet Cap Hot & Cold
14	15737E	15737	Stem Barrel (Brass Seat)
15	17805B	—	Molded Plunger Hot
	17806B	—	Molded Plunger Cold
16	—	38686	Spout Post 1-11/16"
17	—	34312	Spout Nut
18	15553E	30002	Stem with Barrel & Molded Plunger L.H. Hot
	15554E	30004	Stem with Barrel & Molded Plunger R.H. Cold
	—	—	Stem with Bonnet, Cap & Molded Plunger L.H. Hot
	—	—	Stem with Bonnet, Cap & Molded Plunger R.H. Cold
	17460E	—	Stem with Barrel & Brass Plunger L.H. Hot
	17461E	—	Stem with Barrel & Brass Plunger R.H. Cold
19	—	38615-C-CP	Cold Handle
	—	38615-H-CP	Hot Handle
—	—	37750	15/16" Spout with Aerator <i>Not Illustrated</i>
—	—	38687	1-5/16" Spout with Aerator <i>Not Illustrated</i>

KOHLER

KITCHEN FAUCET

Series K-7782

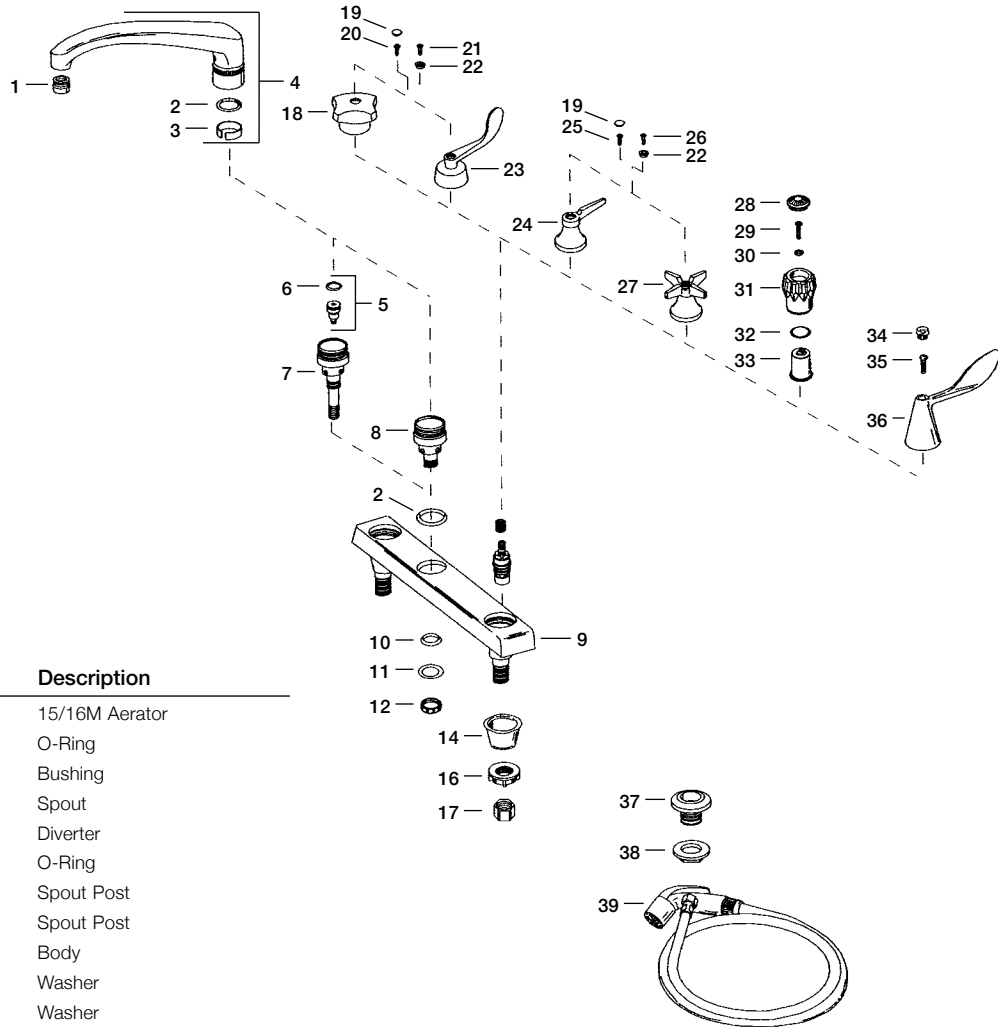


Item No.	Stock No.	OEM Ref No.	Description
1	35062B	20961	00 Flat Bibb Washer
2	10483	30072	15/16M Aerator
3	35726B	34263	O-Ring
4	35730B	40933	O-Ring 2 Required
5	—	34848	Handle Screw
6	35747B	34264	O-Ring
7	35649B	22859	Handle Screw
8	35347Z	34265	Top Bibb Ring
9	30055E	23004	Bibb Seat <i>Brass</i>
10	—	39867	Spray Diverter (Upper)
11	—	39867	Spray Diverter (Lower)
12	—	34260	Bonnet Cap Hot & Cold
13	15737E	15737	Stem Barrel <i>(Brass Seat)</i>
14	17805B	22947	Molded Plunger Hot & Cold
15	—	38686	Spout Post 1-11/16"
16	—	34312	Spout Nut
17C	—	—	Cold Handle
17H	—	—	Hot Handle
18	15553E	30002	Stem with Barrel L.H. Hot & Cold
	—	—	Stem with Bonnet & Cap L.H. Hot & Cold
—	—	37750	15/16" Spout with Aerator <i>Not Illustrated</i>
—	—	38687	1-5/16" Spout with Aerator <i>Not Illustrated</i>

KOHLER

KITCHEN FAUCET

Series K-7825-2A, K-7827-2A, K-16010, K-16030-7, K-16050-5



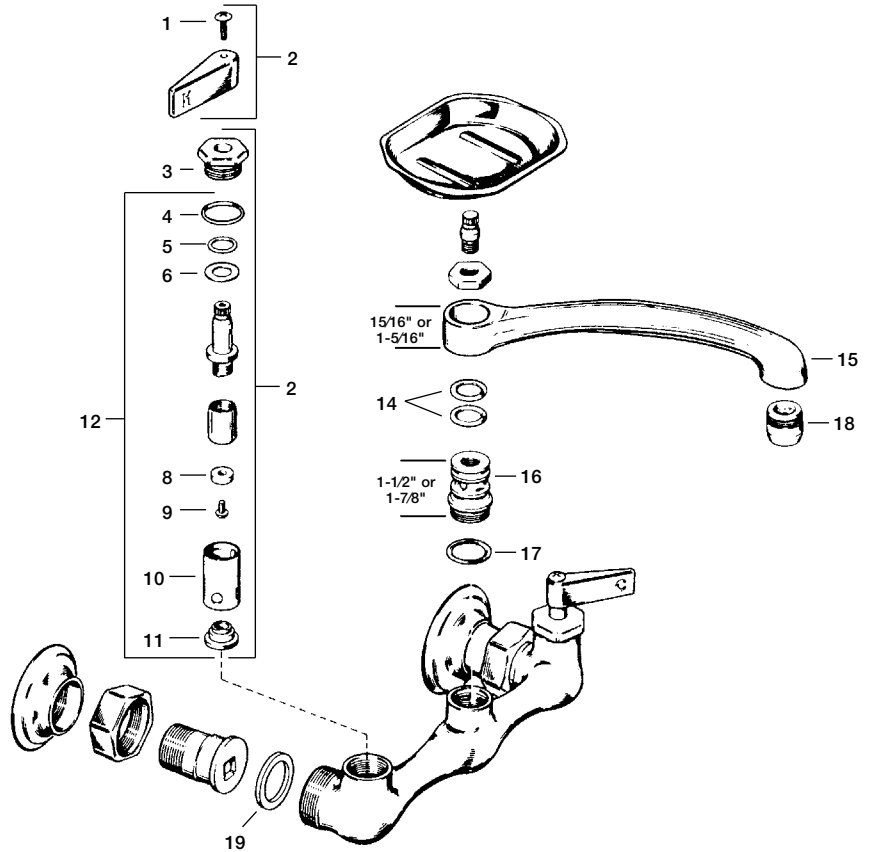
Item No.	Stock No.	OEM Ref No.	Description
1	10483	41056	15/16M Aerator
2	35734B	29464	O-Ring
3	—	41495	Bushing
4	—	77627	Spout
5	—	52393	Diverter
6	35728B	29682	O-Ring
7	—	38855	Spout Post
8	—	38845	Spout Post
9	—	79420	Body
10	—	34323	Washer
11	—	34324	Washer
12	—	34325	Nut
13	—	78125	Spline Adapter
14	17476E	77005	Ceramic Disc Cartridge <i>Hot</i>
	17477E	77006	Ceramic Disc Cartridge <i>Cold</i>
15	—	34274	Washer
16	73114B	40080	Nut
17	—	32751	Coupling Nut
18	20271	76626	(1) Pair Handles
19	—	52622	Button Cap
20	—	56074	Handle Screw
21	—	58891-S	Handle Screw
22	—	52623-H	Button Cap Red <i>Hot</i>
		52623-C	Button Cap Blue <i>Cold</i>
23	—	53187	(1) Pair Wrist Blade Handles
24	—	52636	Lever Handle
25	35141B	31490	Handle Screw
26	—	58892-S	Handle Screw
27	—	52639	(1) Pair Cross-Arm Handles
28	—	43144	Index Button <i>Hot</i>
		43145	Index Button <i>Cold</i>
29	—	41110-CP	Handle Screw (10 per Pak)

Item No.	Stock No.	OEM Ref No.	Description
30	—	41298	Washer
31	—	43142	Handle
32	—	43168	O-Ring
33	—	41242	Insert
34	—	43163/4	Index Button Set
35	—	75317	Handle Screw
36	—	75168	(1) Pair Wrist Blade Handles
37	—	41045	Hose Guide
38	—	33326	Nut
39	80762	34564	Sprayhead & Hose Assembly

KOHLER

KITCHEN FAUCET

Back Mount Series **Clearwater** K-7856, K-7857 (less Soapdish)

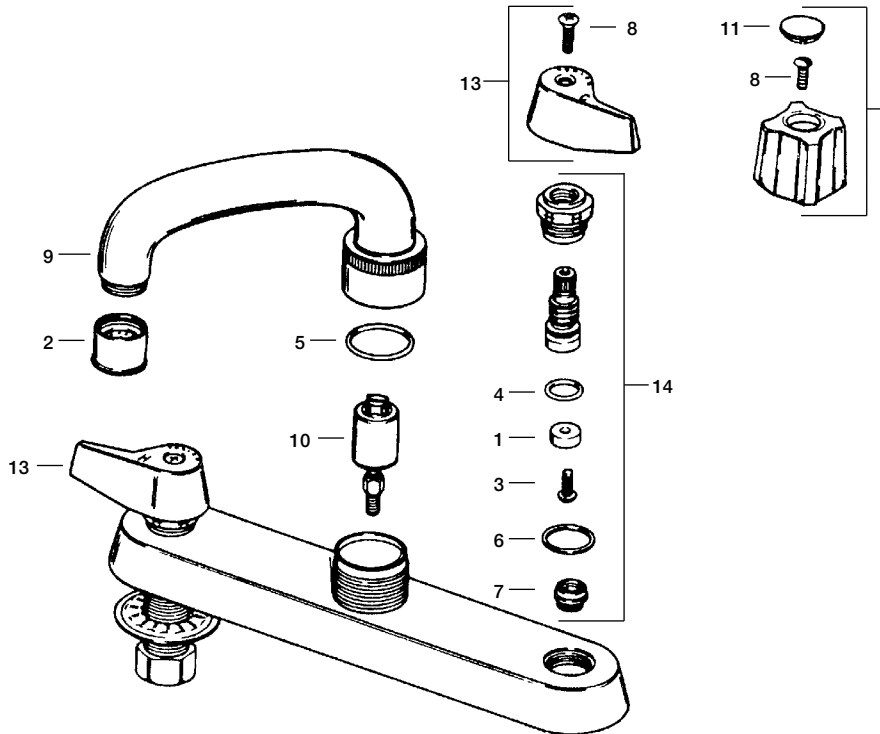


Item No.	Stock No.	OEM Ref No.	Description
1	—	33357	Handle Screw (10 per Pak)
2	—	34064	Hot Handle
	—	34064	Cold Handle
	—	34064	(1) Pair Handles Hot & Cold
3	—	34365	Bonnet Cap Hot & Cold
4	35747B	34264	Cap Thread O-Ring
5	35726B	34263	Stem O-Ring
6	—	34265	Top Bibb Ring
7	17805B	22947	Molded Plunger <i>Hot</i>
	17806B	22948	Molded Plunger <i>Cold</i>
8	35062B	20961	00 Flat Bibb Washer
9	—	34848	Handle Screw
10	15737E	15737	Stem Barrel (<i>Brass Seat</i>)
11	30055E	23004	Bibb Seat <i>Brass</i>
12	15553E	30002	Stem with Barrel & Molded Plunger L.H. Hot
	15554E	30004	Stem with Barrel & Molded Plunger R.H. Cold
13	—	—	Stem with Bonnet, Cap & Molded Plunger L.H. Hot
	—	—	Stem with Bonnet, Cap & Molded Plunger R.H. Cold
12	17460E	—	Stem with Barrel & Brass Plunger L.H. Hot
	17461E	—	Stem with Barrel & Brass Plunger R.H. Cold
14	35730B	40933	O-Ring 2 Required
15	—	37750	15/16" Spout with Aerator
	—	38687	1-5/16" Spout with Aerator
16	—	38685	Spout Post
17	35729B	32657	O-Ring
18	10483	30072	15/16M Aerator

KOHLER

TREND® & SHOREHAM KITCHEN FAUCET

Series K-10929, K-10925, K-11920, K-11925



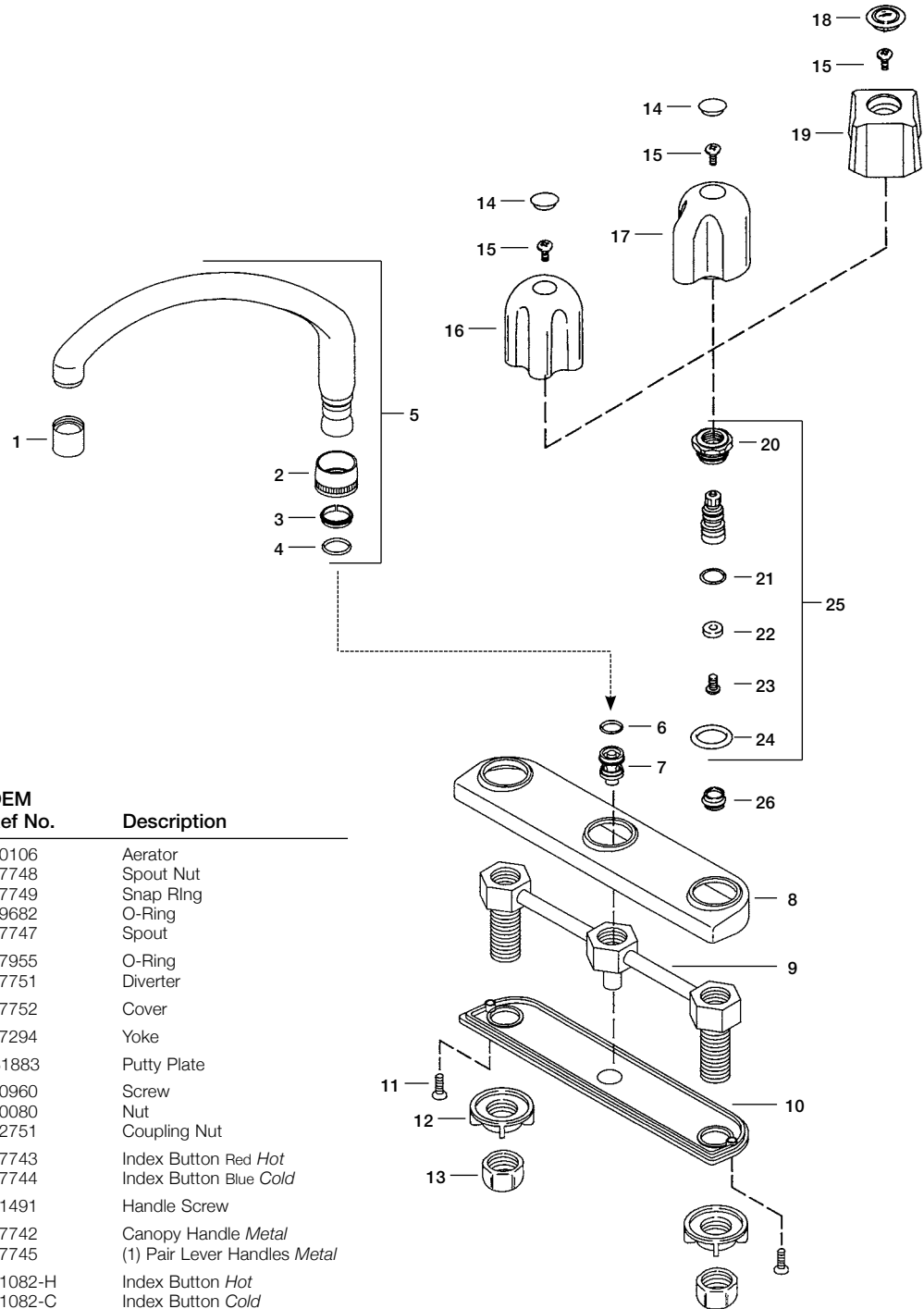
Item No.	Stock No.	OEM Ref No.	Description
1	35062B	20961	00 Flat Bibb Washer
2	10483	30070	15/16F Aerator
3	35142B	31490	Bibb Screw <i>Chrome Plated Brass</i>
4	35725B	20960	Stem O-Ring
5	35734B	29464	Spout O-Ring
6	35564B	20773	Cap Thread Gasket
7	30092E	20774	Bibb Seat <i>Brass</i>
8	35649B	22859	Handle Screw
9	—	20815	Spout Assembly
10	—	30054	Spray Diverter
11	—	21082	Index Button <i>Hot</i>
	—	21082	Index Button <i>Cold</i>
12	—	30011	Hot Handle <i>Chrome Plated Metal</i>
	—	30011	Cold Handle <i>Chrome Plated Metal</i>
	88358	30011	(1) Pair Handles <i>Chrome Plated Metal</i>
	—	30009	(1) Pair Handles <i>Acrylic</i>
13	—	30028	(1) Pair Handles <i>Chrome Plated Metal</i>
14	15801E	30096	Stem with Bonnet R.H. Hot
	15802E	30095	Stem with Bonnet L.H. Cold

TREND is a registered Trademark of Kohler

KOHLER

TREND® KITCHEN FAUCET

Series K-11920-U



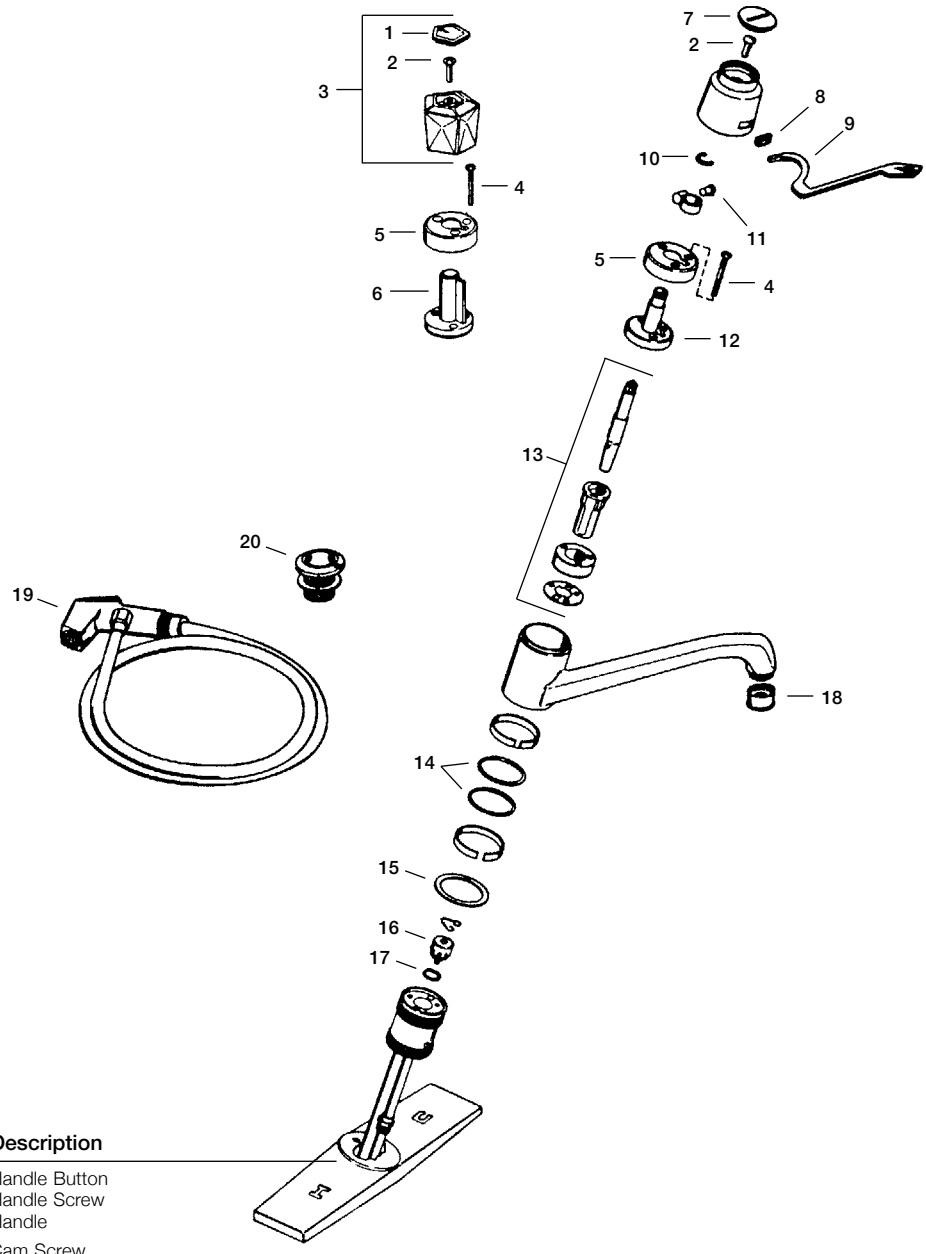
Item No.	Stock No.	OEM Ref No.	Description
1	—	40106	Aerator
2	—	57748	Spout Nut
3	—	57749	Snap Ring
4	35728B	29682	O-Ring
5	—	57747	Spout
6	35742B	77955	O-Ring
7	—	57751	Diverter
8	—	57752	Cover
9	—	77294	Yoke
10	—	B1883	Putty Plate
11	—	80960	Screw
12	73114B	40080	Nut
13	—	32751	Coupling Nut
14	—	57743	Index Button Red <i>Hot</i>
		57744	Index Button Blue <i>Cold</i>
15	35649B	31491	Handle Screw
16	—	57742	Canopy Handle <i>Metal</i>
17	—	57745	(1) Pair Lever Handles <i>Metal</i>
18	—	21082-H	Index Button <i>Hot</i>
		21082-C	Index Button <i>Cold</i>
19	—	20984	(1) Pair Handles <i>Acrylic</i>
	88358	20986	(1) Pair Handles <i>Metal</i>
20	—	20771	Bonnet <i>Hot</i>
		20772	Bonnet <i>Cold</i>
21	35725B	20960	O-Ring
22	35062B	20961	00 Bibb Washer
23	35142B	40230	Bibb Screw
24	35784B	34353	O-Ring
25	15801E	20769	Stem Assembly <i>Hot</i>
	15802E	20770	Stem Assembly <i>Cold</i>
26	30092E	20774	Bibb Seat

TREND is a registered Trademark of Kohler

KOHLER

CENTURA KITCHEN FAUCET

Series K-6894, K-6895, K-6896



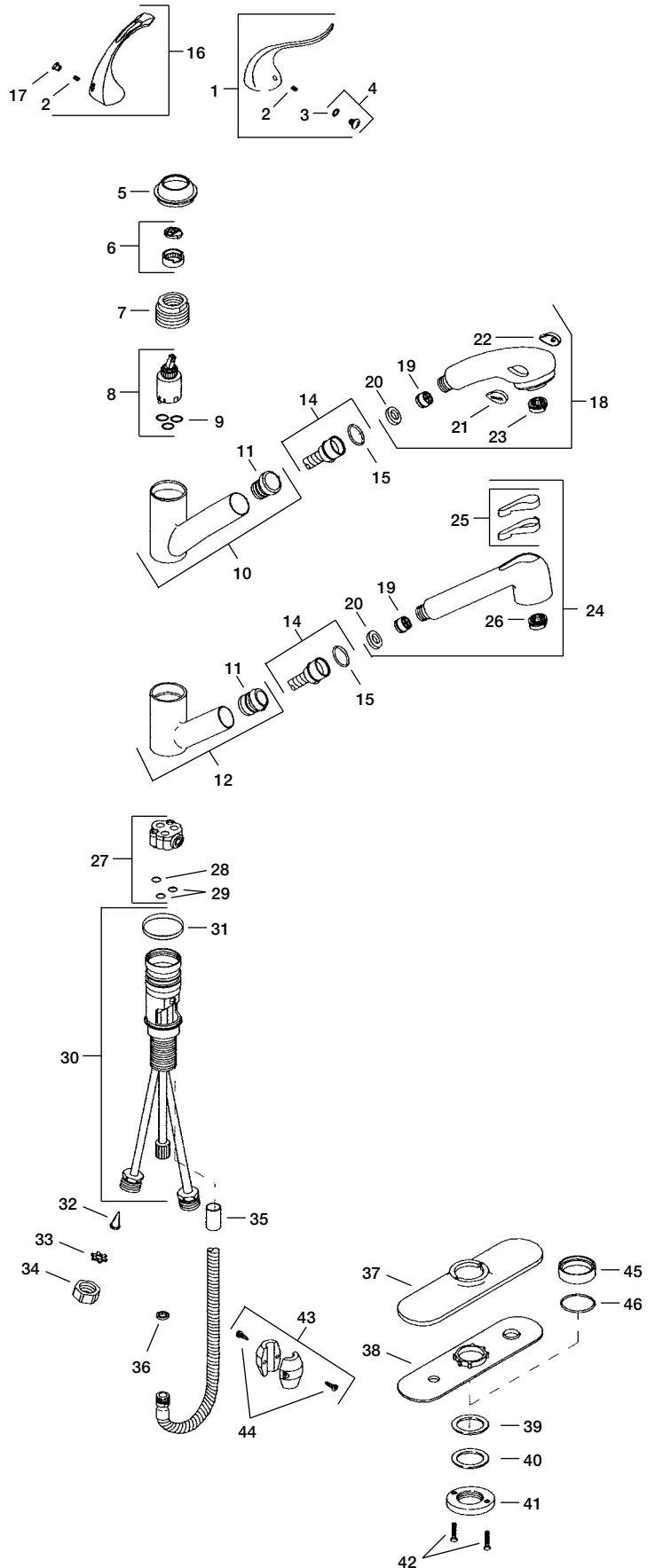
Item No.	Stock No.	OEM Ref No.	Description
1	—	42163	Handle Button
2	—	42121	Handle Screw
3	—	42118	Handle
4	—	42140	Cam Screw
5	—	42109	Cam Bearing Cover
6	—	42113	Cam Bearing
7	—	42355	Handle Button
8	—	42158	Grommet
9	—	42107	Lever Handle
10	—	30225	Snap Ring
11	—	30225	Bushing & Collar
12	—	42112	Cam Bearing
13	80461	30082	Cartridge
14	35764B	42155	O-Rings 2 Required
15	—	42407	Washer
16	—	30084	Diverter
17	35742B	42160	O-Ring
18	10483	30070	15/16F Aerator
19	80762	20816	Spray Head & Hose Assembly
20	86948	20847	Spray Hose Guide
	—	42102	Escutcheon <i>Not Illustrated</i>
	—	42187	Handle Knob with Grommet <i>Not Illustrated</i>
	—	42103	Spout with Aerator <i>Not Illustrated</i>

KOHLER

CORALAIS® KITCHEN PULL-OUT FAUCET

Series K-15162

Item No.	Stock No.	OEM Ref No.	Description
1	—	1001795	Handle Kit
2	—	76713	Handle Screw
3	35775B	36449	O-Ring
4	—	76712	Handle Button
5	—	76704	Bonnet
6	—	77555	Stop Limit
7	—	77457	Mounting Nut
8	18827B	77548	Cartridge
9	—	75683	Cartridge Seals
10	—	76767	Hub
11	—	76766	Insert
12	—	76677-A-CP	Hub <i>Chrome</i>
13	—	58595	Insert
14	10339	77321-A	Pull-Out Hose
15	35784B	34353	O-Ring
16	—	1005588	Handle Kit
17	—	1001552	Handle Button
18	—	1005172	Sprayhead
19	—	75156	Restrictor
20	—	77420	Screen Washer
21	—	75056	Button
22	—	75057	Button
23	10483	86125	15/16M Aerator
24	10415	1005590-A	Sprayhead <i>White</i>
		1005590-B	Sprayhead <i>Black</i>
		1005590-C	Sprayhead <i>Almond</i>
	10408	1005590-CP	Sprayhead <i>Chrome</i>
25	—	75983	Trigger
26	—	59617	Aerator
27	—	78988	Vacuum Breaker
28	35723B	77950	O-Ring
29	35722B	77949	O-Rings 2 Required
30	—	78858	Body Nest Assembly
31	35752B	71118	O-Ring
32	—	71020	Check Valve
33	—	71186	Retaining Ring
34	—	32751	Nut
35	—	71159	Guide
36	—	78338	Rubber Washer
37	—	76697	Escutcheon
38	—	76696	Undercover
39	—	22352	Washer
40	—	78617	Washer
41	—	78539	Ring
42	—	58946	Screw
43	—	71181	Weight
44	—	62815	Weight Screw 2 Required
45	—	71164	Escutcheon
46	35751B	38618	O-Ring



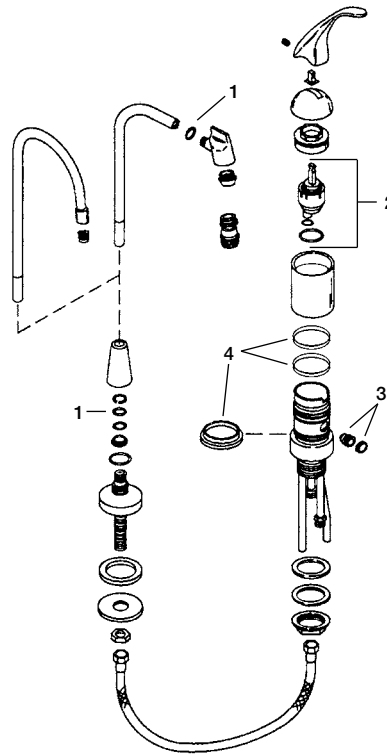
CORALAIS is a registered Trademark of Kohler

REPAIRS FOR

KOHLER

CORALAIS® KITCHEN FAUCET

Series K-15167, K-15168, K-15177, K-15178



Item No.	Stock No.	OEM Ref No.	Description
1	35724B	42045	O-Ring
2	88739	—	Valve Assembly
3	—	—	Diverter Kit
4	—	—	Bearing and Seal Kit

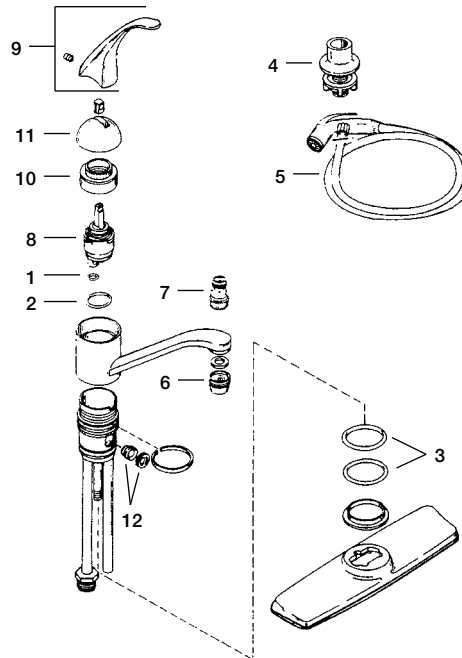
CORALAIS is a registered Trademark of Kohler

REPAIRS FOR

KOHLER

CORALAIS® KITCHEN FAUCET

Series K-15171



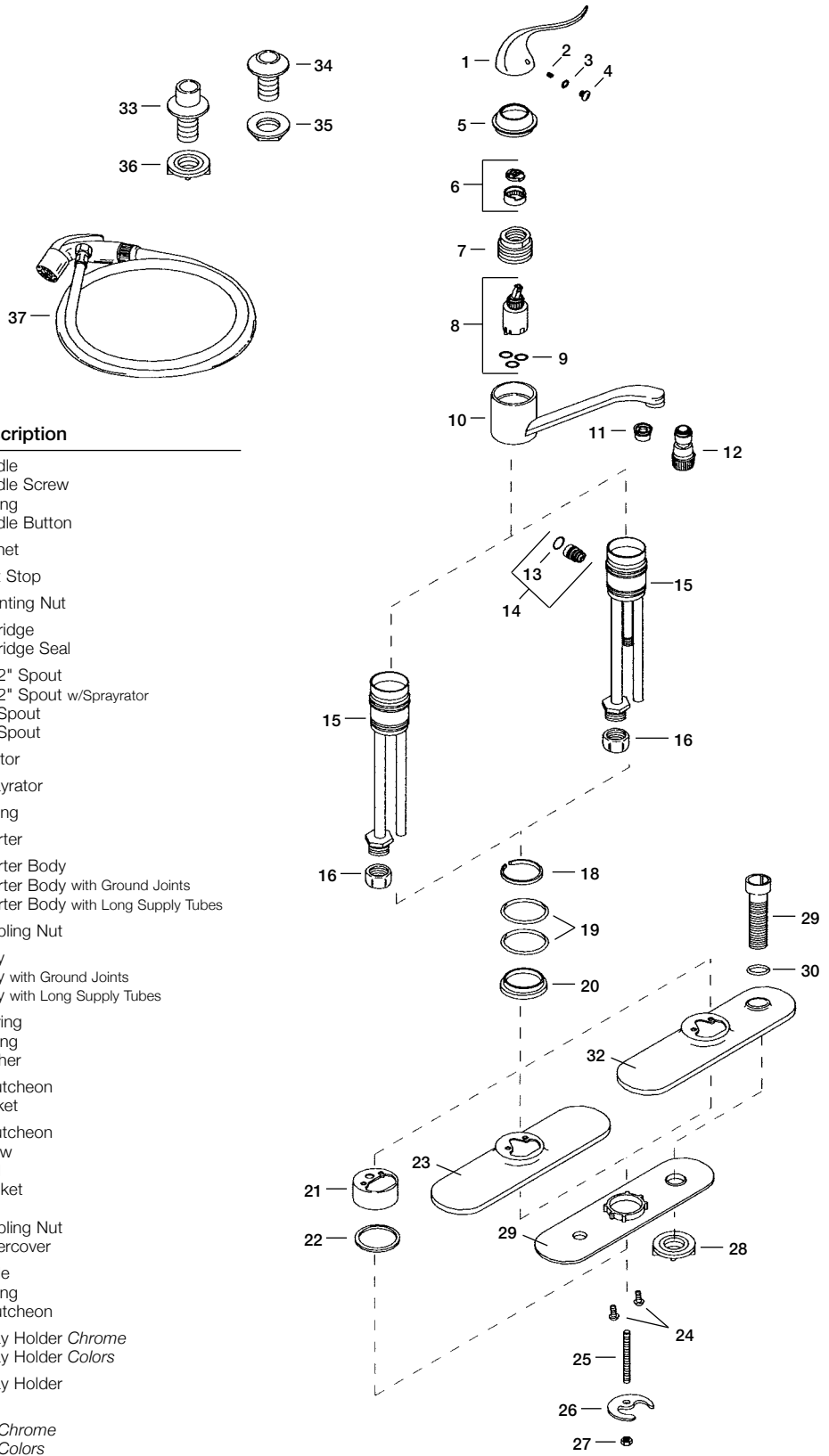
Item No.	Stock No.	OEM Ref No.	Description
1	35723B	—	Small Cartridge O-Ring
2	35759B	—	Large Cartridge O-Ring
3	35752B	—	Spout O-Ring 2 Required
4	86948	20847	Spray Hose Guide
5	80762	38616	Spray Hose Assembly
6	10483	91-572	15/16 Male Aerator
7	—	30456CP	Spray Aerator
8	88739	30413	Cartridge Assembly
9	—	30423	Lever Handle
10	—	71509	Inner Cap
11	—	71652	Cap
12	—	30422	Diverter Assembly

CORALAIS is a registered Trademark of Kohler

KOHLER

CORALAIS® KITCHEN FAUCET

Series K-15172 thru K-15176



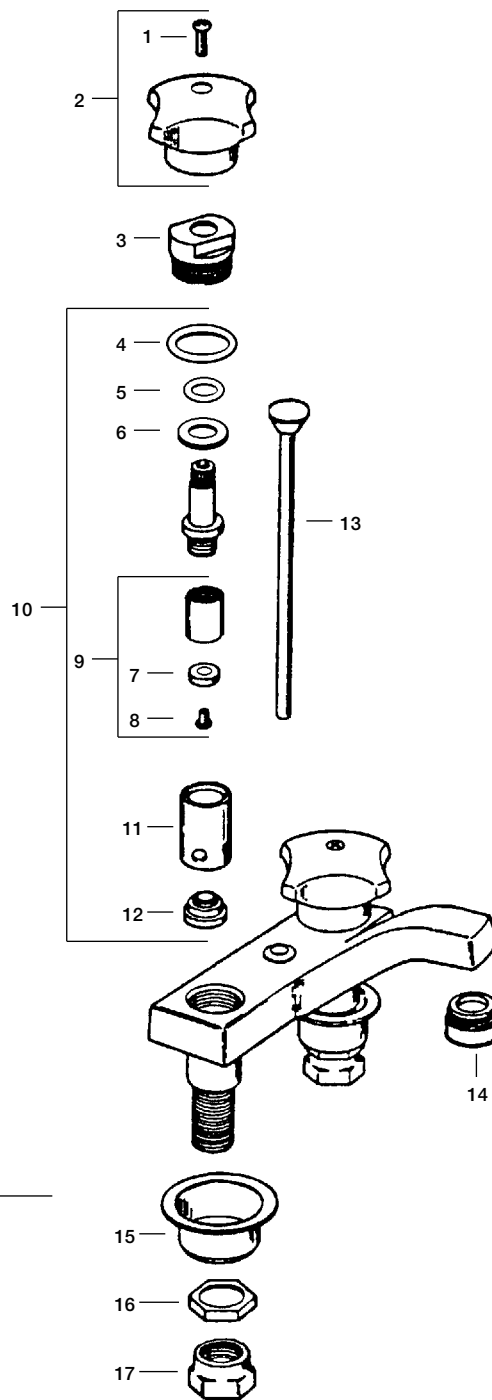
Item No.	Stock No.	OEM Ref No.	Description
1	—	76690	Handle
2	—	76713	Handle Screw
3	35775B	36449	O-Ring
4	—	76691	Handle Button
5	—	76704	Bonnet
6	—	77555	Limit Stop
7	—	77457	Mounting Nut
8	18827B	77550	Cartridge
9	—	75683	Cartridge Seal
10	—	76736	8-1/2" Spout
	—	77318	8-1/2" Spout w/Sprayrator
	—	76737	10" Spout
	—	76738	12" Spout
11	—	40106	Aerator
12	—	58571	Sprayrator
13	35742B	77955	O-Ring
14	—	75878	Diverter
15	—	76256	Diverter Body
	—	76257	Diverter Body with Ground Joints
	—	76258	Diverter Body with Long Supply Tubes
16	—	32751	Coupling Nut
17	—	76253	Body
	—	76254	Body with Ground Joints
	—	76255	Body with Long Supply Tubes
18	—	71117	Bearing
19	35752B	71118	O-Ring
20	—	71616	Washer
21	—	76248	Escutcheon
22	—	76245	Gasket
23	—	76698	Escutcheon
24	—	75474	Screw
25	—	42345	Stud
26	—	76241	Bracket
27	—	23094	Nut
28	73114B	40080	Coupling Nut
29	—	76696	Undercover
30	—	71131	Guide
31	35746B	70012	O-Ring
32	—	76699	Escutcheon
33	—	40133	Spray Holder <i>Chrome</i>
	—	71113	Spray Holder <i>Colors</i>
34	—	41045	Spray Holder
35	—	33326	Nut
36	—	40134	Nut <i>Chrome</i>
	—	42936	Nut <i>Colors</i>
37	—	34564	Sprayhead & Hose Assembly
	16560	71110-A	<i>Black w/Trim Ring</i>
	80762	71110-B	<i>White</i>
			<i>Black</i>

CORALAIS is a registered Trademark of Kohler

KOHLER

LAVATORY FAUCET

Series Triton™ II & Alterna Centra K-6950, K-7401-T

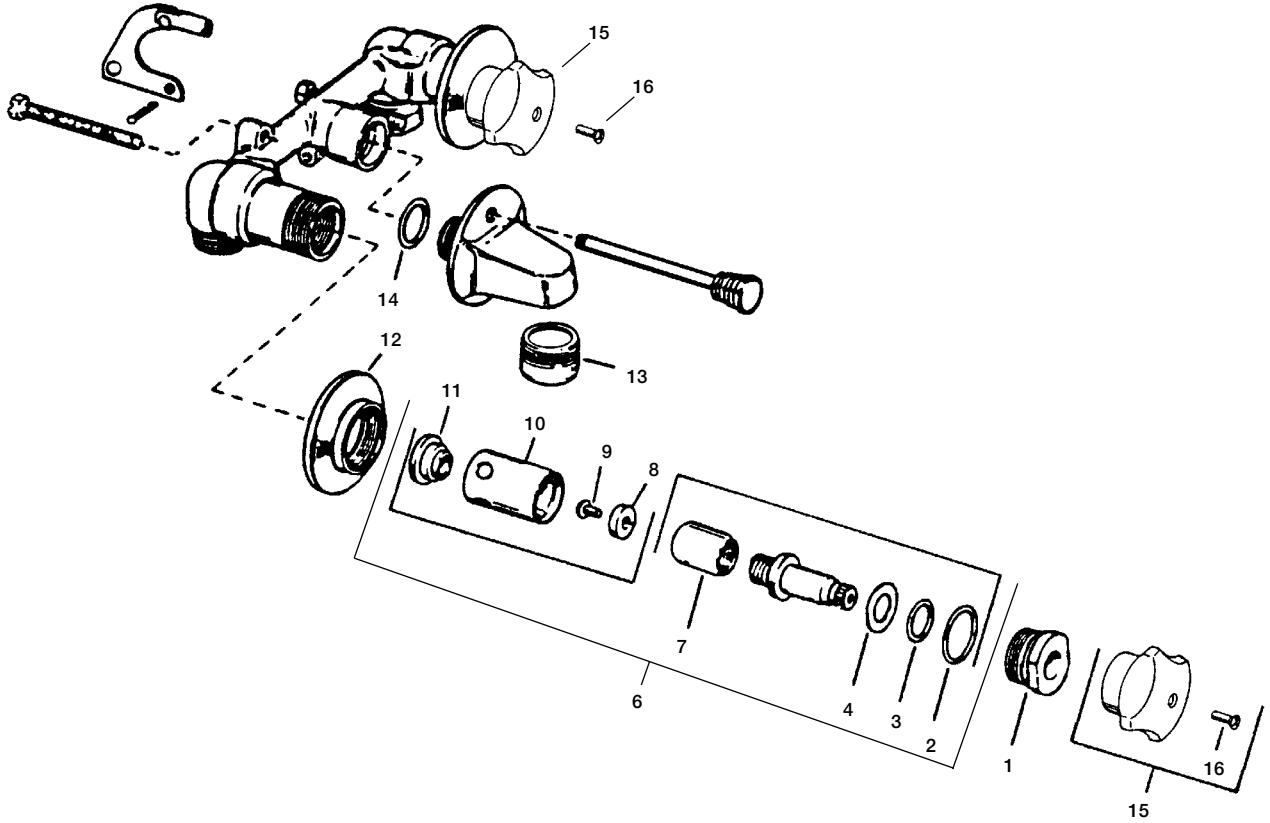


Item No.	Stock No.	OEM Ref No.	Description
1	—	—	Handle Screw <i>Chrome</i> (10 per Pak)
2	20271	—	(1) Pair Handles
3	—	34260	Bonnet Cap
4	35747B	—	Cap Thread O-Ring
5	35726B	—	Stem O-Ring
6	—	—	Top Bibb Ring
7	35062B	—	00 Flat Bibb Washer
8	—	—	Bibb Screw <i>Chrome</i>
9	17805B	—	Plastic Plunger <i>Hot</i>
	17806B	—	Plastic Plunger <i>Cold</i>
10	15553E	30002	Stem with Plastic Plunger L.H. Hot
	15554E	30002	Stem with Plastic Plunger R.H. Cold
	17460E	30002	Stem with Barrel & Brass Plunger L.H. Hot
	17461E	30002	Stem with Barrel & Brass Plunger R.H. Cold
11	15737E	—	Barrel with <i>Brass Seat</i> Hot & Cold
12	30055E	—	Bibb Seat <i>Brass</i>
13	88961	—	12" Lift Rod (<i>carded</i>)
14	10483	30072	15/16M Aerator
15	36475B	—	Basin Cock Washer
16	—	32010	Locknut
17	—	—	Slip-Joint Nut

KOHLER

LAVATORY FAUCET

Shelf-Back Series **Constellation** K-6970, K-7350, **Triton™** & **Alterna** K-6971, K-8040-T

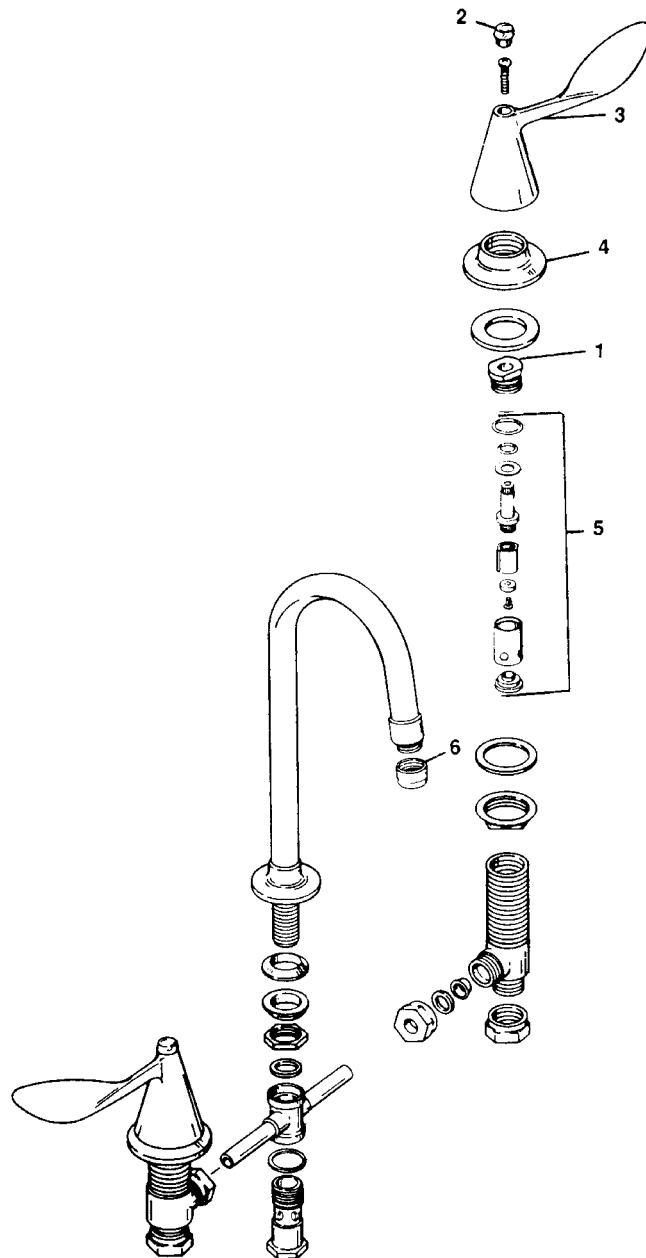


Item No.	Stock No.	OEM Ref No.	Description
1	—	20475	Bonnet Cap
2	35754B	34300	O-Ring
3	35726B	34263	O-Ring
4	—	34265	Top Bibb Ring
5	15553E 15554E	—	Stem with Plastic Plunger L.H. Hot Stem with Plastic Plunger R.H. Cold
6	17009E 17010E 17460E 17461E	—	Stem with Barrel, Cap & Plastic Plunger L.H. Hot Stem with Barrel, Cap & Plastic Plunger R.H. Cold Stem with Barrel & Brass Plunger L.H. Hot Stem with Barrel & Brass Plunger R.H. Cold
7	17805B 17806B	—	Plunger <i>Plastic Hot</i> Plunger <i>Plastic Cold</i>
8	35062B	—	00 Flat Bibb Washer
9	35633B	34848	Handle Bibb Screw <i>Chrome</i>
10	15737E 30055E	34842 23004	Barrel Bibb Seat
12	—	34301	Escutcheon
13	10483	30072	15/16M Aerator
14	35730B	40933	O-Ring
15	—	—	(1) Pair Handles with Screws
16	—	22859	Handle Screw <i>Chrome (10 per Pak)</i>

TRITON is a registered Trademark of Kohler

KOHLER

FINESSE™ WIDESPREAD LAVATORY FAUCET



Item No.	Stock No.	OEM Ref No.	Description
1	—	20475	Bonnet Nut
2	—	30335	(1) Pair Plug Buttons <i>Red & Blue</i>
3	—	43154	Finesse Handle (<i>Large</i>)
	—	160225CP	(1) Pair Handles
4	—	34304	Escutcheon
5	15553E	30134	Right Hand Stem
	15554E	30135	Left Hand Stem
6	—	30070	Aerator

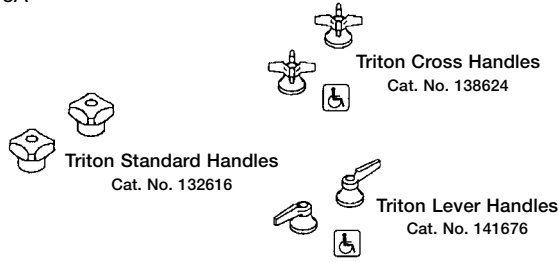
FINESSE is a registered Trademark of Kohler

REPAIRS FOR

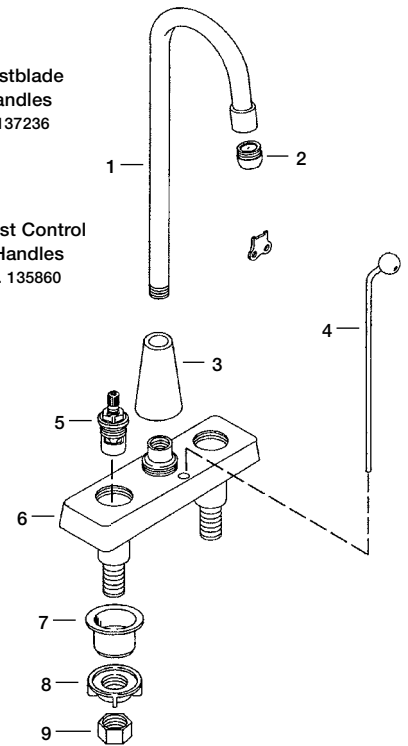
KOHLER

TRITON™/FINESSE™/FLAIR™ LAVATORY FAUCET

Series K-7305-5A



Item No.	Stock No.	OEM Ref No.	Description
1	—	73035	Spout <i>Chrome</i>
	—	77419	Vandal-Resistant Spout <i>Chrome</i>
2	10487	59620	13/16M Premium Aerator
3	—	43271	Spout Collar <i>Chrome</i>
4	—	40156	Lift Rod <i>Chrome</i>
5	17476E	77005	RH Hot Stem with Bonnet
	17477E	77006	LH Cold Stem with Bonnet
6	—	78508	Chrome Body less Lift Rod Hole
	—	78509	Chrome Body with Lift Rod Hole
7	—	34274	Washer
8	73114B	40080	Nut
9	—	32751	Coupling Nut
	35761B	—	Stem O-Ring <i>Not Illustrated</i>
	35784B	—	Cap Thread O-Ring <i>Not Illustrated</i>



TRITON/FINESSE/FLAIR are registered Trademarks of Kohler

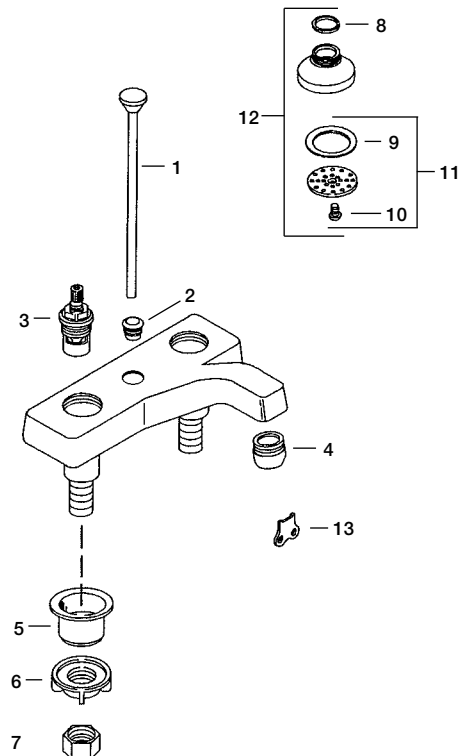
REPAIRS FOR

KOHLER

TRITON™/FINESSE™/FLAIR™ LAVATORY FAUCET

Series K-7404-5A

Item No.	Stock No.	OEM Ref No.	Description
1	—	51196	12" Lift Rod
	88961	—	—
2	—	39935	Lift Rod Guide <i>Chrome</i>
3	17476E	77005	Stem with Bonnet RH Hot
	17477E	77006	Stem with Bonnet LH Cold
4	10487	59620	13/16M Aerator
5	—	34274	Washer
6	73114B	40080	Nut
7	—	32751	Coupling Nut
8	—	74749	Washer
9	—	73397	Gasket
10	—	50143	Screw
11	—	1001315	Faceplate Assembly <i>Chrome</i>
12	—	1001525	Rosespray Assembly <i>Chrome</i>
13	—	78868	Wrench
	35761B	—	Stem O-Ring <i>Not Illustrated</i>
	35784B	—	Cap Thread O-Ring <i>Not Illustrated</i>

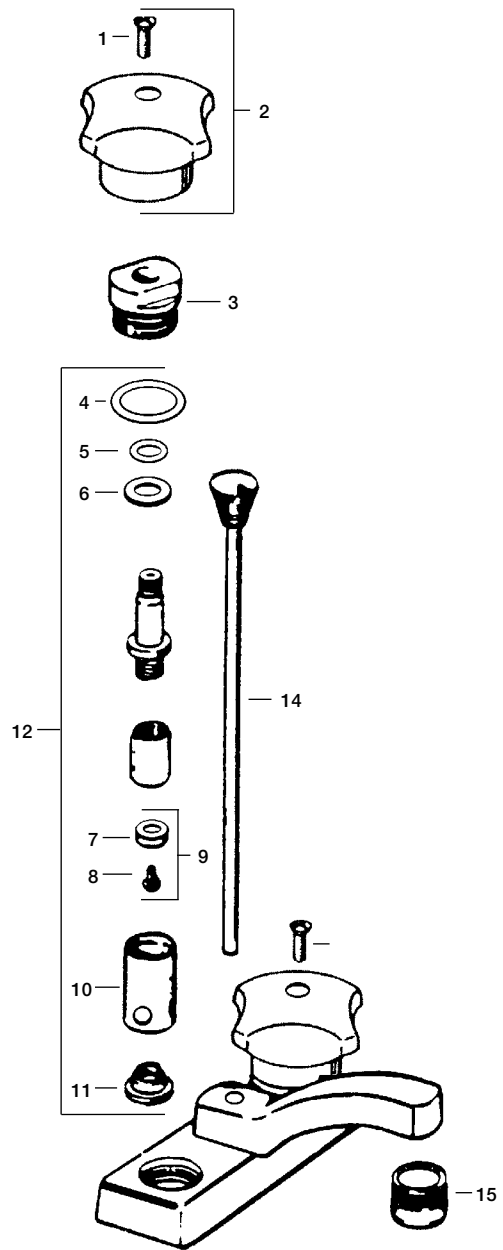


TRITON/FINESSE/FLAIR are registered Trademarks of Kohler

KOHLER

LAVATORY FAUCET

Series K-7400

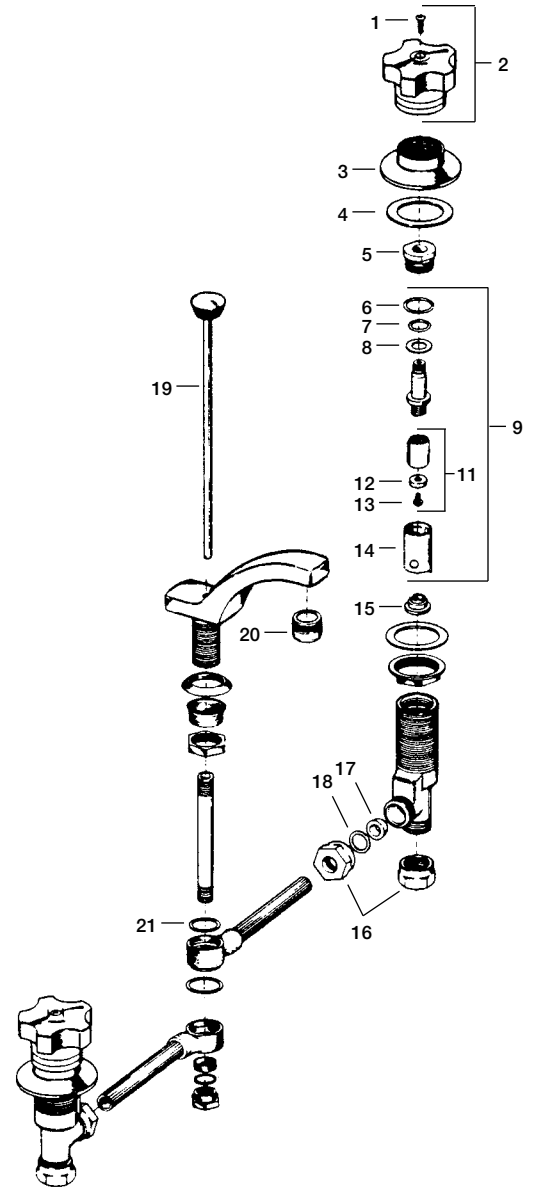


Item No.	Stock No.	OEM Ref No.	Description
1	35649B	22859	Handle Screw
2	—	—	(1) Pair Handles
3	—	34260	Bonnet Cap Hot & Cold
4	35747B	34264	Cap Thread O-Ring
5	35726B	34263	O-Ring
6	35347Z	34265	Top Bibb Ring
7	35062B	20961	00 Flat Bibb Washer
8	—	34848	Bibb Screw
9	17805B	22947	Molded Plunger Hot & Cold
10	15737E	34842	Barrel with Brass Seat Hot & Cold
11	30055E	23004	Bibb Seat <i>Brass</i>
12	15553E 17460E	452WB 1116WB	Stem with Barrel & Molded Plunger L.H. Hot & Cold Stem with Barrel & Brass Plunger L.H. Hot & Cold
14	88961	51196	12" Lift Rod (<i>carded</i>)
15	10483	30072	15/16M Aerator

KOHLER

LAVATORY FAUCET

Series **Constellation** K-7416, K-7417, K-7419, K-6965
Bancroft K-6967

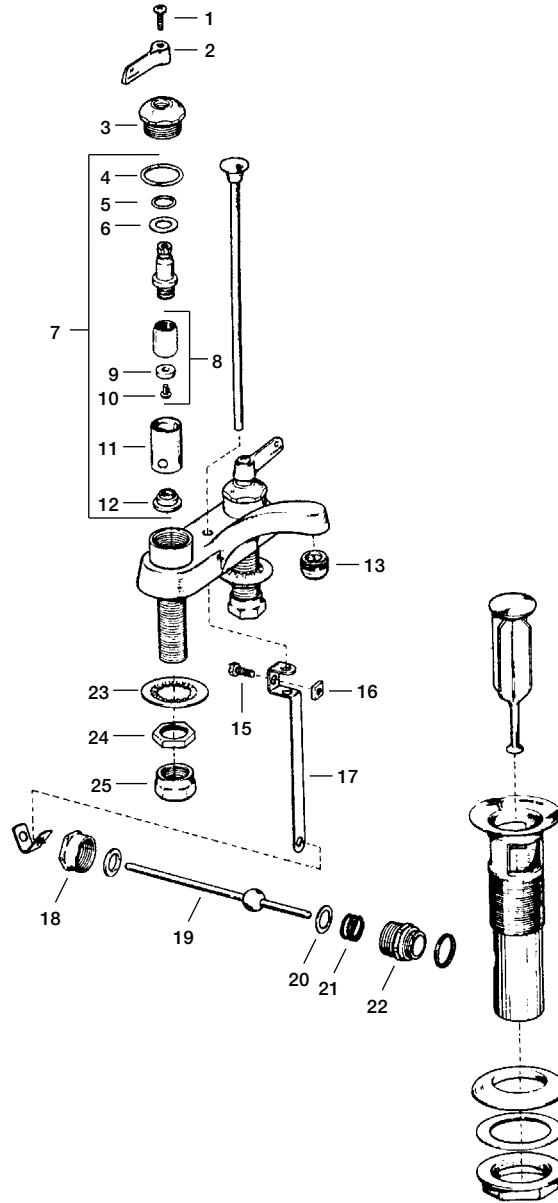


Item No.	Stock No.	OEM Ref No.	Description
1	35649B	22859	Handle Screw
2	—	58930	(1) Pair Handle Assemblies
3	—	34304	Escutcheon
4	—	35715	Flat Rubber Washer
5	—	20475	Bonnet Cap
6	35754B	34300	O-Ring
7	35726B	34263	O-Ring
8	—	34265	Top Bibb Ring
9	15553E	—	Stem Assembly LH Hot & Cold with Barrel and Plastic Plunger
	17460E	—	Stem Assembly LH Hot & Cold with Barrel and Brass Plunger
	17009E	—	Stem Assembly LH Hot & Cold with Bonnet, Cap and Plastic Plunger
11	17805B	692P	Plastic Plunger Hot & Cold
12	35062B	20961	00 Flat Bibb Washer
13	35633B	34838	Bibb Screw
14	15737E	34842	Barrel with Brass Seat Hot & Cold
15	30055E	23004	Bibb Seat Brass
16	—	—	Shank Locknut
17	—	—	R-Molded Slip Joint Washer (20 per Pak)
18	36612B	32761	B Friction Ring Brass
19	88961	51196	12" Lift Rod
20	10483	30074	15/16M Aerator
21	35571B	33031	Cap Thread Gasket

KOHLER

CENTAUR LAVATORY FAUCET

Series K-10300



Item No.	Stock No.	OEM Ref No.	Description
1	—	33357	Handle Screw <i>Chrome (10 per Pak)</i>
2	—	34064-H	Handle <i>Hot</i>
	—	34064-C	Handle <i>Cold</i>
3	—	20440	Bonnet Cap
4	35747B	34264	Cap Thread O-Ring
5	35726B	34263	Stem O-Ring
6	—	34265	Top Bibb Ring
7	15553E	—	Stem with Molded Plunger L.H. <i>Hot</i>
	15554E	—	Stem with Molded Plunger R.H. <i>Cold</i>
	17460E	—	Stem with Brass Plunger L.H. <i>Hot</i>
	17461E	—	Stem with Brass Plunger R.H. <i>Cold</i>
	17009E	—	Stem with Bonnet Cap L.H. <i>Hot</i>
	17010E	—	Stem with Bonnet Cap R.H. <i>Cold</i>
8	17805B	22947	Molded Plunger <i>Hot</i>
	17806B	22948	Molded Plunger <i>Cold</i>
9	35062B	20961	00 Flat Bibb Washer
10	35633B	34848	Chrome Bibb Screw
11	15737E	34842	Renu Barrel with Brass Seat <i>Hot & Cold</i>
12	30055E	23004	Bibb Seat <i>Brass</i>
13	10483	30074	15/16M Aerator

Item No.	Stock No.	OEM Ref No.	Description
14	88961	51196	12" Lift Rod
15	—	20452	Pop-Up Extension Screw
16	—	41633	Pop-Up Nut
17	—	51192	Pop-Up Extension Less Screw
		81075	12" Lift Rod, Pop-Up Nut and Pop-Up Extension & Screw (<i>carded</i>)
18	34808B	—	Pop-Up Clevis
19	—	20433	Ball Lever
20	—	—	Top Bibb Ring
21	—	34092	Spring
22	—	20435	Centerpiece
23	36476B	—	Basin Cock Washer
24	—	—	Shank Locknut
25	—	—	Slip Joint Nut

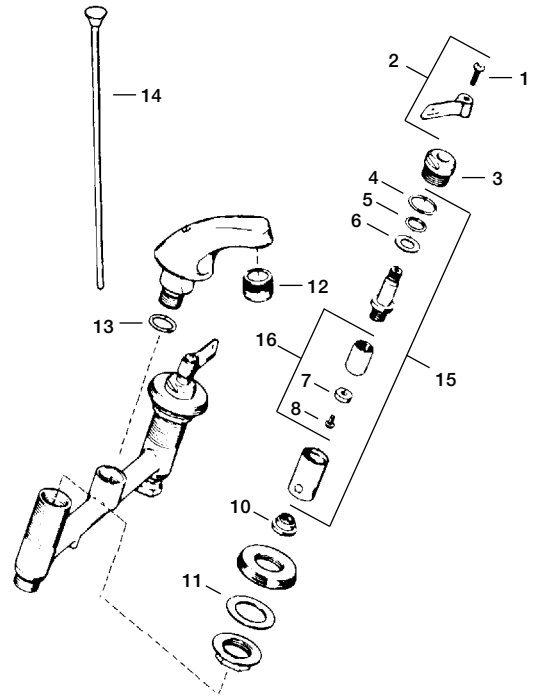
REPAIRS FOR

KOHLER

AQUARIC LAVATORY FAUCET

Angle Mount Series K-10328

Item No.	Stock No.	OEM Ref No.	Description
1	—	33357	Handle Screw Chrome (10 per Pak)
2	—	34064	Handle Hot
	—	34064	Handle Cold
	—	—	(1) Pair Handles
3	—	20475	Bonnet C.P.
4	35744B	34300	O-Ring
5	35726B	34263	O-Ring
6	36615B	34265	Washer
7	35062B	20961	00 Flat Bibb Washer
8	—	34848	Screw
9	15737E	34842	Sleeve
10	30055E	23004	Renewable Seat Brass
11	—	32060	Washer
12	10483	30074	Aerator
13	35730B	40933	O-Ring
14	88961	51196	12" Lift Rod
15	15553E 15554E		Cold Valve Hot Valve
16	17806B 17805B	22948 22947	R.H. Plunger L.H. Plunger



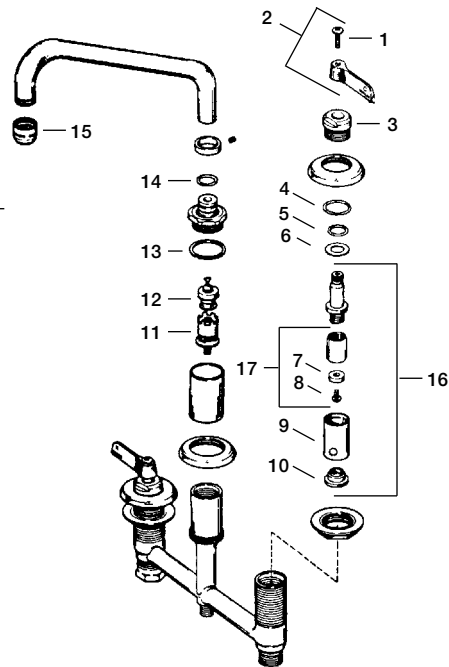
REPAIRS FOR

KOHLER

WIDESPREAD LAVATORY FAUCET

Series Aquaric K-10400, Lacona K-10405

Item No.	Stock No.	OEM Ref No.	Description
1	—	33357	Handle Screw Chrome (10 per Pak)
2	—	34064	Handle Hot
	—	34064	Handle Cold
	—	—	(1) Pair Handles
3	—	20475	Bonnet C.P.
4	35744B	34300	O-Ring
5	35726B	34263	O-Ring
6	36615B	34265	Washer
7	35062B	20961	00 Flat Bibb Washer
8	—	34848	Screw
9	15737E	34842	Sleeve
10	30055E	23004	Renewable Seat
11	—	39867	Auto-Spray Unit, Upper
12	—	39867	Auto-Spray Unit, Lower
13	—	40950	Gasket
14	35727B	29296	O-Ring
15	10483	20453	Aerator
16	15553E 15554E		Cold Valve Hot Valve
17	17806B 17805B	22948 22947	R.H. Plunger L.H. Plunger

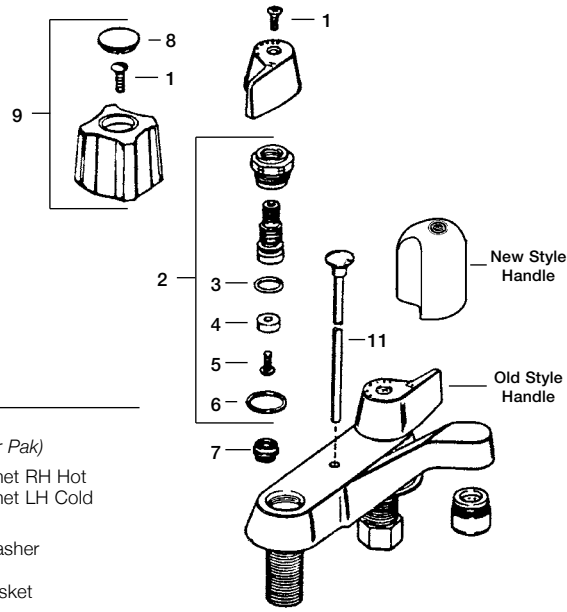


REPAIRS FOR

KOHLER

LAVATORY FAUCET

Series K-10800, K-11800



Item No.	Stock No.	OEM Ref No.	Description
1	—	31491	Handle Screw <i>Chrome (10 per Pak)</i>
2	15801E 15802E	20785 20786	Stem with Bonnet RH Hot Stem with Bonnet LH Cold
3	35725B	14603	O-Ring
4	35062B	20961	00 Flat Bibb Washer
5	35142B	31490	Bibb Screw
6	35564B	20773	Cap Thread Gasket
7	30092E	20774	Bibb Seat
8	—	21082	Index Button <i>Hot</i>
	—	21082	Index Button <i>Cold</i>
9	88358	30011	(1) Pair Metal Handles <i>Chrome</i>
	—	30009	(1) Pair Acrylic Handles
10	10483	30072	15/16M Aerator
11	—	20781	Lift Rod

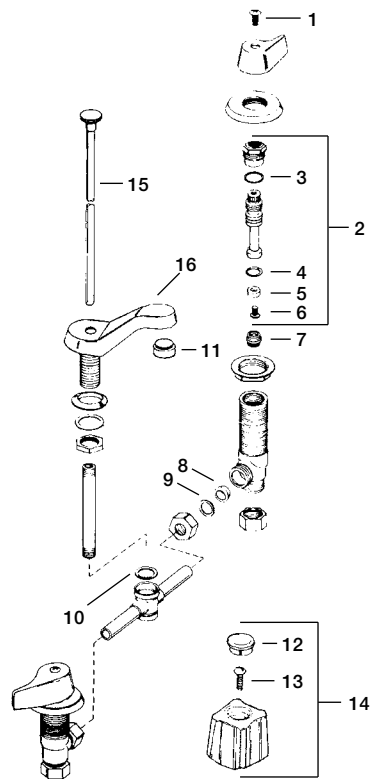
REPAIRS FOR

KOHLER

TREND® & SHOREHAM WIDESPREAD LAVATORY FAUCET

Series K-10810, K-11810

Item No.	Stock No.	OEM Ref No.	Description
1	—	22859	Screw (10 per Pak)
2	15806E 15805E	20811 20810	Stem Unit <i>Cold</i> Stem Unit <i>Hot</i>
3	35754B	20791	Washer
4	35725B	20960	O-Ring
5	35062B	20961	00 Flat Bibb Washer
6	—	31490	Screw
7	30092E	20774	Renewable Seat
8	38805B	20564	Slip Joint Washer
9	—	20565	Friction Ring
10	—	33031	Gasket
11	10483	30072	Aerator
12	—	21082	Index Button <i>Hot</i>
	—	21082	Index Button <i>Cold</i>
13	—	31491	Handle Screw <i>Chrome (10 per Pak)</i>
14	88358	30011	(1) Pair Metal Handles <i>Chrome</i>
	—	30009	(1) Pair Acrylic Handles
15	—	20781	Lift Rod
16	—	20966	Spout



TREND is a registered Trademark of Kohler

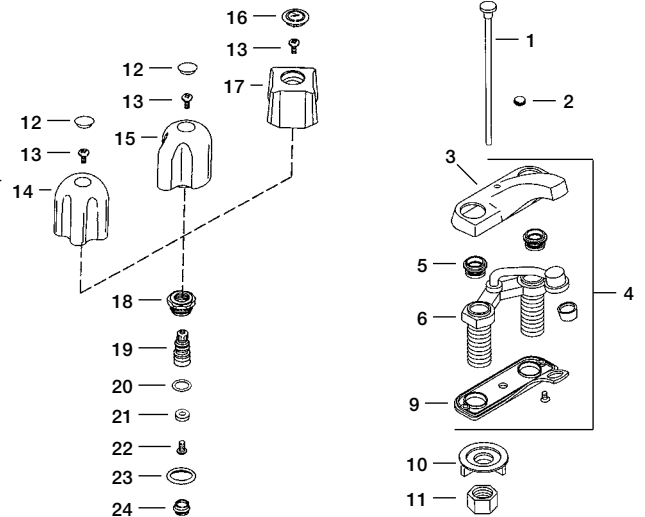
REPAIRS FOR

KOHLER

TREND® LAVATORY FAUCET

Series K-11800, K-11802

Item No.	Stock No.	OEM Ref No.	Description
1	88961	40105	Rod & Knob
2	—	40243	Plug
3	—	40127	Cover
4	—	77139	Spout Assembly
5	30092E	20774	Seat
6	—	77137	Body
7	—	59619	15/16F Aerator
8	—	40143	Screw
9	—	40128	Putty Cup
10	73114B	40080	Nut
11	—	32751	Coupling Nut
12	—	57743	Red Handle Index Button <i>Hot</i>
	—	57744	Blue Handle Index Button <i>Cold</i>
13	35643Z	31491	Handle Screw <i>Chrome</i>
14	—	57742	Metal Canopy Handle
15	—	57745	Metal Lever Handle
16	—	21082-H	Handle Index Button <i>Hot</i>
	—	21082-C	Handle Index Button <i>Cold</i>
17	88358	20986	(1) Pair Metal Handles <i>Chrome</i>
	—	20984	(1) Pair Acrylic Handles



Item No.	Stock No.	OEM Ref No.	Description
18	—	20771	Bonnet <i>Hot</i>
	—	20772	Bonnet <i>Cold</i>
19	15801E	20769	Stem Assembly <i>Hot</i>
	15802E	20770	Stem Assembly <i>Cold</i>
20	35725B	20960	O-Ring
21	35062B	20961	00 Flat Bibb Washer
22	35142B	40230	Bibb Screw
23	35784B	34353	O-Ring

TREND is a registered Trademark of Kohler

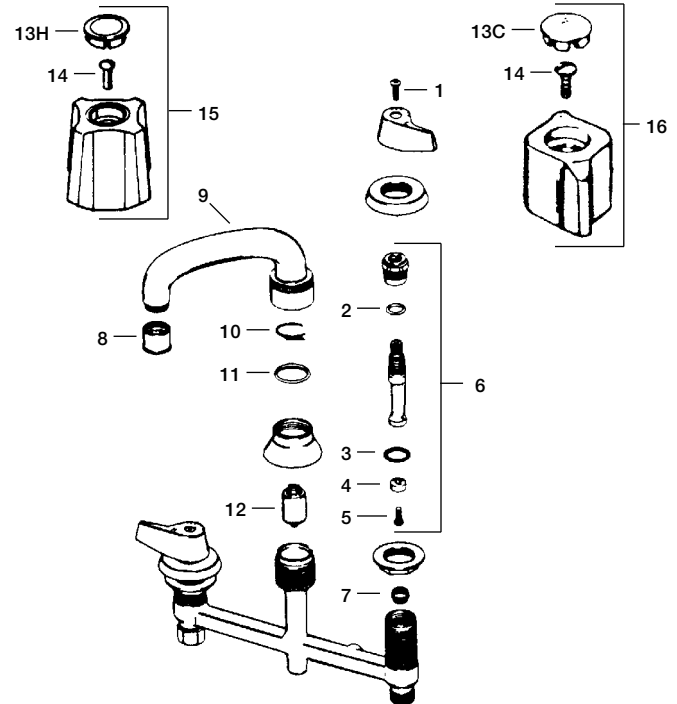
REPAIRS FOR

KOHLER

TREND® & SHOREHAM WIDESPREAD LAVATORY FAUCET

Series K-11900, K-11905, K-10900, K-10905

Item No.	Stock No.	OEM Ref No.	Description
1	—	22859	Screw
2	35725B	20960	O-Ring
3	35754B	20791	Washer
4	35062B	20961	00 Flat Bibb Washer
5	—	31490	Screw
6	15805E	20810	Stem Assembly <i>Hot</i>
	15806E	20811	Stem Assembly <i>Cold</i>
7	30092E	20774	Renewable Seat
8	10483	30070	Aerator
9	—	20815	Spout Assembly
10	—	20814	Snap Ring
11	35734B	29464	O-Ring
12	—	39931	Diverter Unit
13H	—	21082	Index Button <i>Hot</i>
13C	—	21082	Index Button <i>Cold</i>
14	—	31491	Handle Screw <i>Chrome (10 per Pak)</i>
15	88358	20986	(1) Pair Metal Handles <i>Chrome</i>
	—	20984	(1) Pair Acrylic Handles
16	—	40114	Handle Complete <i>Hot</i>
	—	40114	Handle Complete <i>Cold</i>

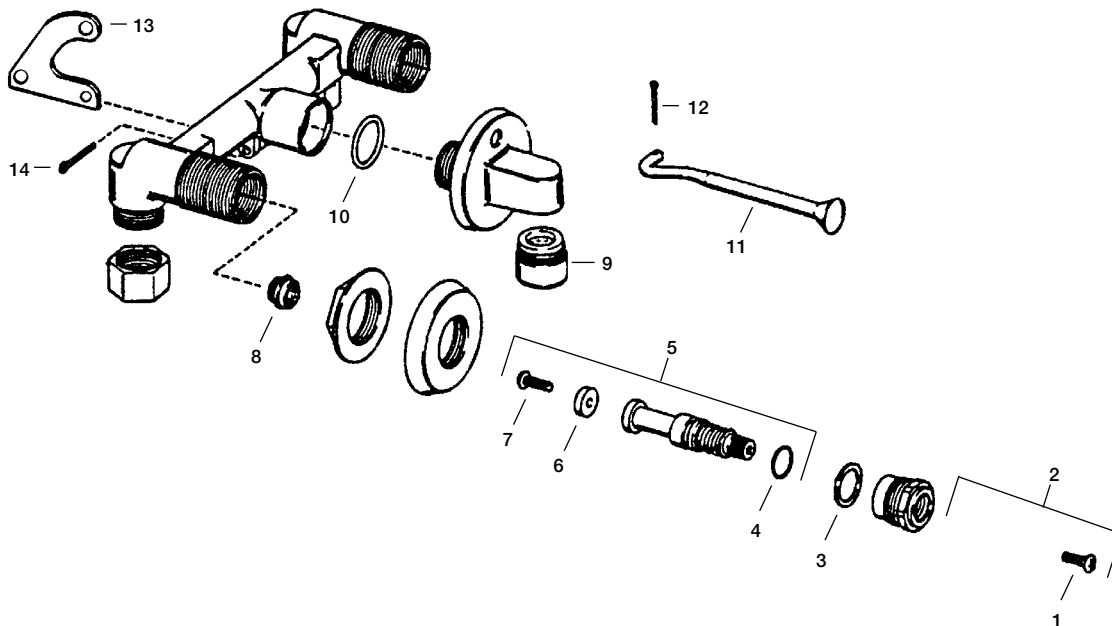


TREND is a registered Trademark of Kohler

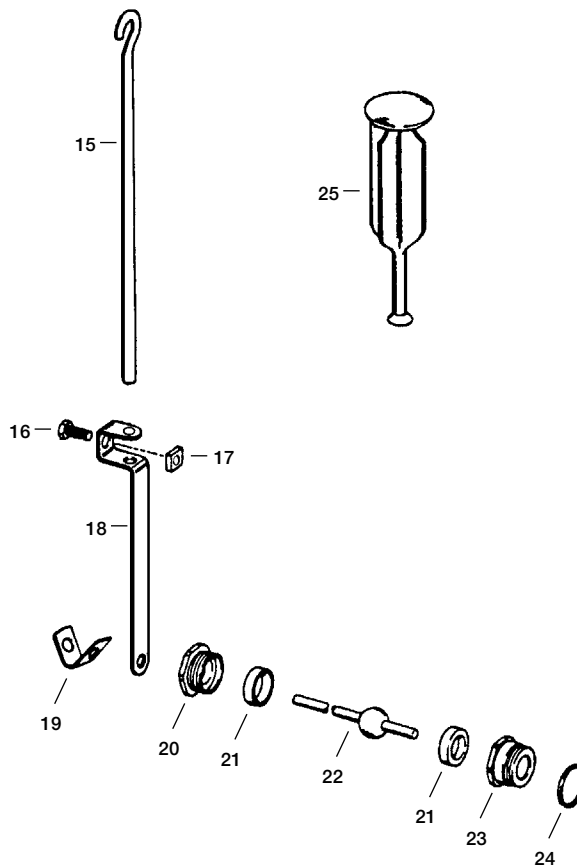
KOHLER

LAVATORY FAUCET

Shelf-Back Series **Trend®** K-11820, K-11820-B, **Shoreham Sheldon** K-10820



Item No.	Stock No.	OEM Ref No.	Description
1	—	31491	Handle Screw <i>Chrome (10 per Pak)</i>
2	88358 —	30011 30009	(1) Pair Handles <i>Chrome</i> (1) Pair Handles <i>Acrylic</i>
3	35573B	20791	Cap Thread Gasket
4	35725B	20960	O-Ring
5	15806E 15805E	20879 20880	Stem Unit <i>Cold</i> Stem Unit <i>Hot</i>
6	35062B	20961	00 Flat Bibb Washer
7	35142B	31490	Bibb Screw
8	30092E	20774	Bibb Seat
9	10483	30072	15/16M Aerator
10	35730B	40933	O-Ring
11	—	20489	Push Rod
12	—	20506	Pop-Up Pin
13	—	20490	Trip Lever
14	—	33799	Pin
15	—	51198	Connecting Rod
16	—	1006	Pop-Up Extension Screw
17	—	20451	Pop-Up Nut
18	—	51192	Extension less Screw
19	34808B	10004	Pop-Up Clevis
20	—	20834	Pivot Nut
21	—	20838	Bearing
22	—	20837	Ball Rod Assembly
23	—	20833	Ball Socket
24	—	20437	Gasket
25	—	102	Lavatory Pop-Up Stopper
	—	21082	Index Button <i>Hot</i>
	—	21082	Index Button <i>Cold</i> <i>Not Illustrated</i>



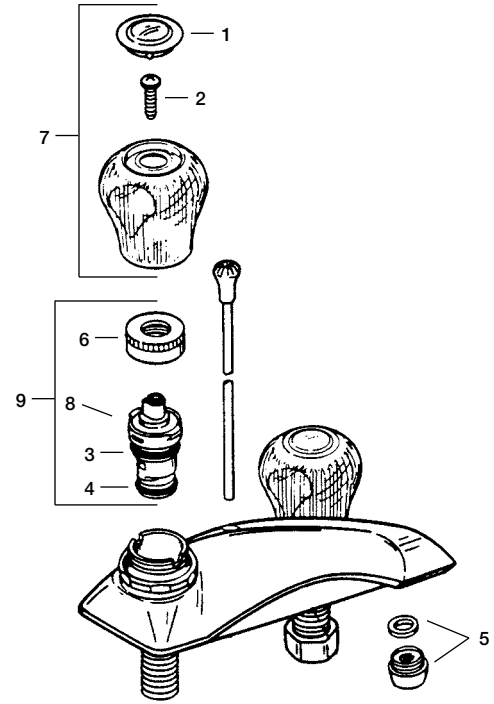
REPAIRS FOR

KOHLER

CORALAIS® LAVATORY FAUCET

Series K-15240, K-15242, K-15243

Item No.	Stock No.	OEM Ref No.	Description
1	—	70208	Index Button <i>Cold</i>
	—	70207	Index Button <i>Hot</i>
2	—	—	Handle Screw <i>Sheet Metal</i>
3	35746B	—	Cap Thread O-Ring
4	35784B	—	Stem O-Ring
5	10487	30072	13/16M Aerator
6	—	70430	Bonnet Cap Hot & Cold
7	—	70274	(1) Pair Replacement Handles
8	17472E	70127	Stem with Bonnet R.H. Hot
	17473E	70415	Stem with Bonnet L.H. Cold
9	17474B	—	Stem with Bonnet & Cap R.H. Hot
	17475B	—	Stem with Bonnet & Cap L.H. Cold
10	—	70341	Lift Rod



CORALAIS is a registered Trademark of Kohler

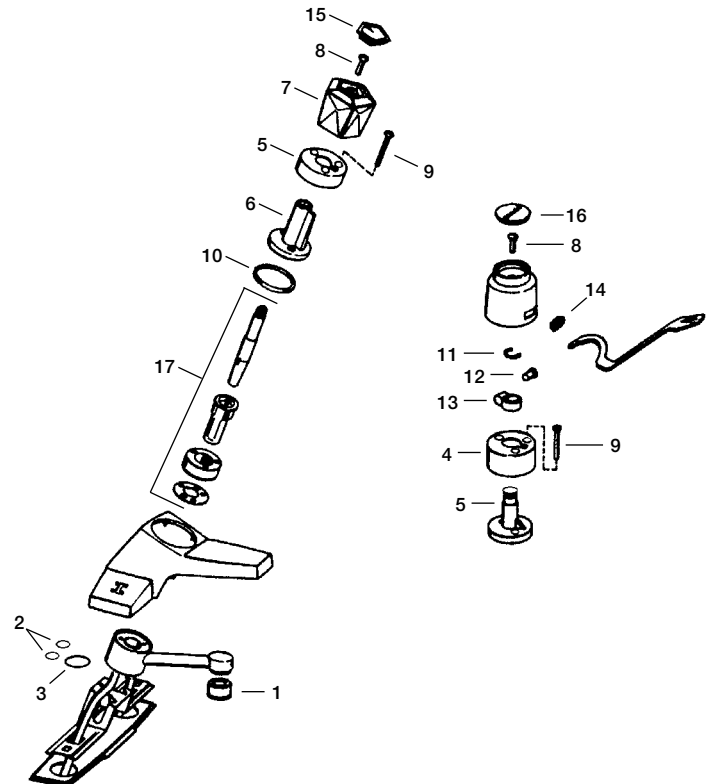
REPAIRS FOR

KOHLER

CENTURA LAVATORY FAUCET

Series K-6882 Push-Pull, K-6883 Lever

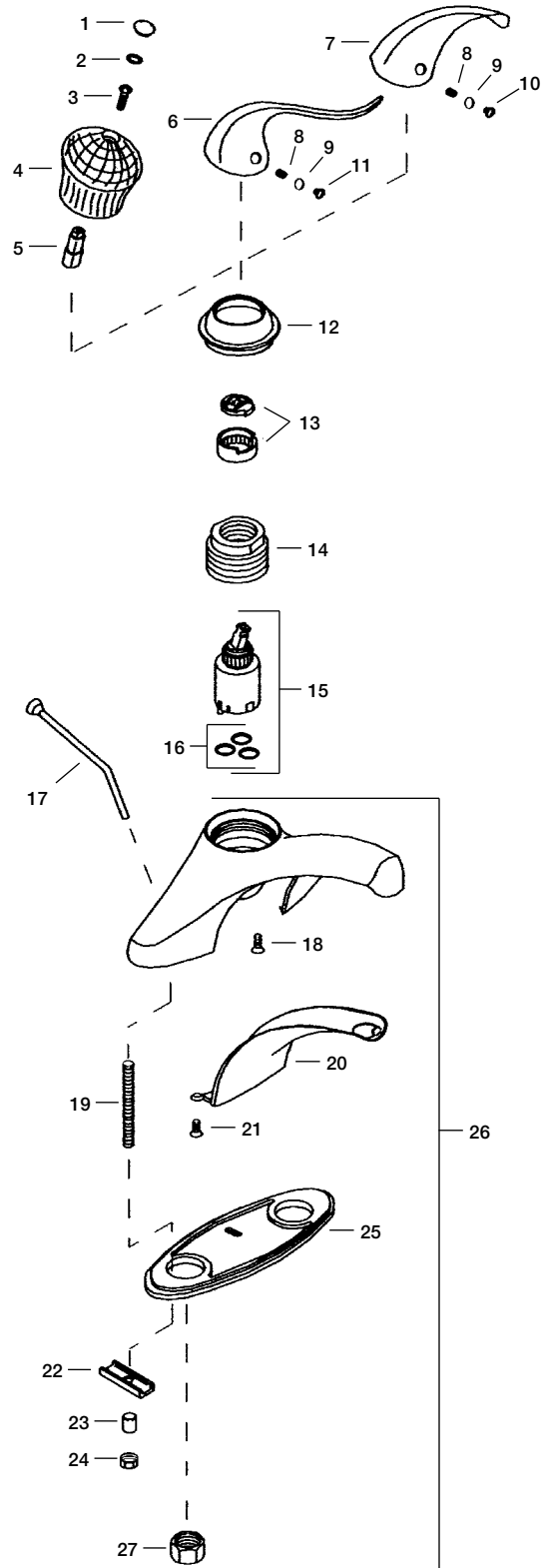
Item No.	Stock No.	OEM Ref No.	Description
1	10483	41056	15/16M Aerator
2	35723B	33993	O-Ring 2 Required
3	35754B	38634	O-Ring
4	—	42109	Cam Bearing Cover
5	—	42112	Cam Bearing
6	—	42113	Cam Bearing
7	—	42118	Handle
8	—	42121	Handle Screw (10 per Pak)
9	—	42140	Screw
10	—	42148	Gasket
11	—	42151	Snap Ring
12	—	42175	Bushing
13	—	42176	Lever Collar
14	—	42158	Grommet
15	—	42163	Handle Cap
16	—	42164	Handle Cap
17	80461	42173	Cartridge
	—	42161	Wire Clip <i>Not Illustrated</i>



KOHLER

CORALAIS® LAVATORY FAUCET

Series K-15181, K-15182, K-15198, K-15199, K-15582, K-15583, K-15583-5, K-15592, K-15592-5, K-15593, K-15593-5, K-15597, K-15597-5, K-15598, K-15598-5

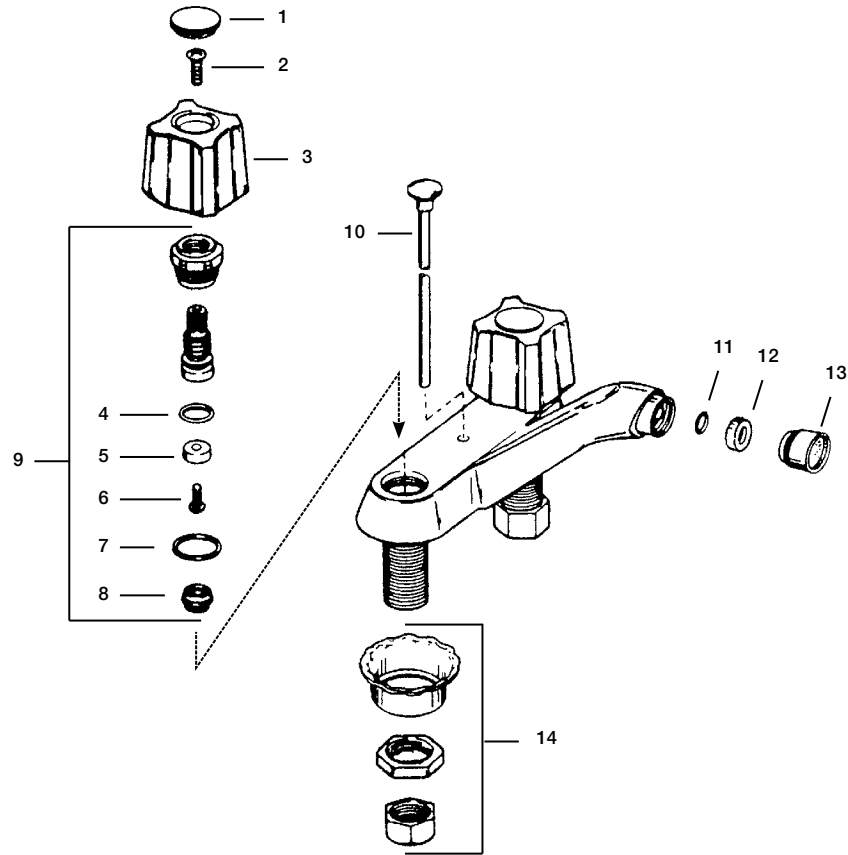


Item No.	Stock No.	OEM Ref No.	Description
1	—	77416	Handle Cap
2	—	33993	O-Ring
3	—	77539	Handle Screw
4	—	77338	Handle
5	—	76981	Adapter
6	—	76690	Handle
7	—	76926	Handle
8	—	76713	Screw
9	35775B	36449	O-Ring
10	—	76927	Button
11	—	76691	Button
12	—	76704	Cap
13	—	77555	Limit Stop
14	—	77457	Nut
15	18827B	77550	Cartridge
16	—	75683	(3) Cartridge Seals
17	—	86861	Lift Rod
18	—	71018	Screw
19	—	42345	Stud
20	—	78273-A	Throatplate
21	—	77538	Screw
22	—	71651	Channel
23	—	42344	Spacer
24	—	23094	Nut
25	—	76973	Undercover Plate
26	—	78094	Shroud (with Hole)
	—	78096	Shroud (without Hole)
27	—	32751	Coupling Nut

CORALAIS is a registered Trademark of Kohler

KOHLER

BIDET FAUCET



Item No.	Stock No.	OEM Ref No.	Description
1	—	30000	Handle Index Button <i>Hot</i>
	—	30000	Handle Index Button <i>Cold</i>
	—	30001	Handle Index Buttons <i>Burnished Brass</i>
2	—	30095	Handle Screw <i>Chrome (10 per Pak)</i>
3	88358	30011	(1) Pair Metal Handles <i>Chrome</i>
	—	30009	(1) Pair Acrylic Handles
4	35725B	—	O-Ring
5	35062B	—	00 Flat Bibb Washer
6	—	—	Screw
7	35564B	—	Gasket
8	30092E	—	Seat
9	15801E	30395	Valve Assembly
10	—	20781	Lift Rod
11	—	42160	O-Ring
12	—	21174	Sleeve
13	—	30072	Aerator
14	—	30228	Mounting Hardware

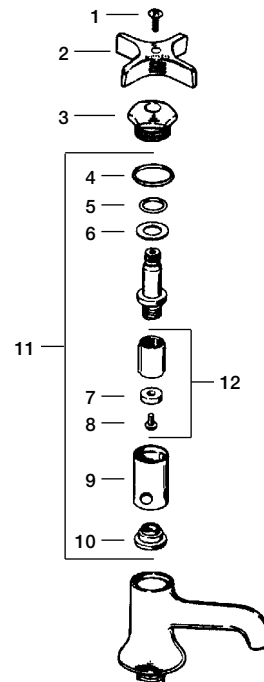
REPAIRS FOR

KOHLER

COMPRESSION LAVATORY FAUCET

Series **Sentinel** K-7510

Item No.	Stock No.	OEM Ref No.	Description
1	—	33357	Handle Screw <i>Chrome (10 per Pak)</i>
2	—	20419	Handle <i>Hot</i>
	—	20419	Handle <i>Cold</i>
	—	—	(1) Pair Handles
3	—	34365	Bonnet Nut
4	35747B	34264	O-Ring
5	35726B	34263	O-Ring
6	36615B	34265	Washer
7	35062B	20961	00 Flat Bibb Washer
8	—	34848	Screw
9	15737E	34842	Sleeve
10	30055E	23004	Renewable Seat
11	15553E	30072	Hot or Cold Valvet Unit
12	17805B	22987	L.H. Plunger



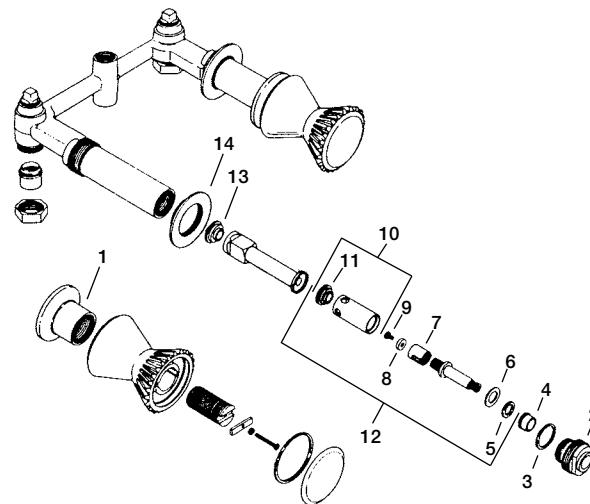
REPAIRS FOR

KOHLER

DECK MOUNTED BATH & SHOWER FIXTURE

Series **Bravura** K-6840, K-6842, K-6838 (*Less Extensions*)

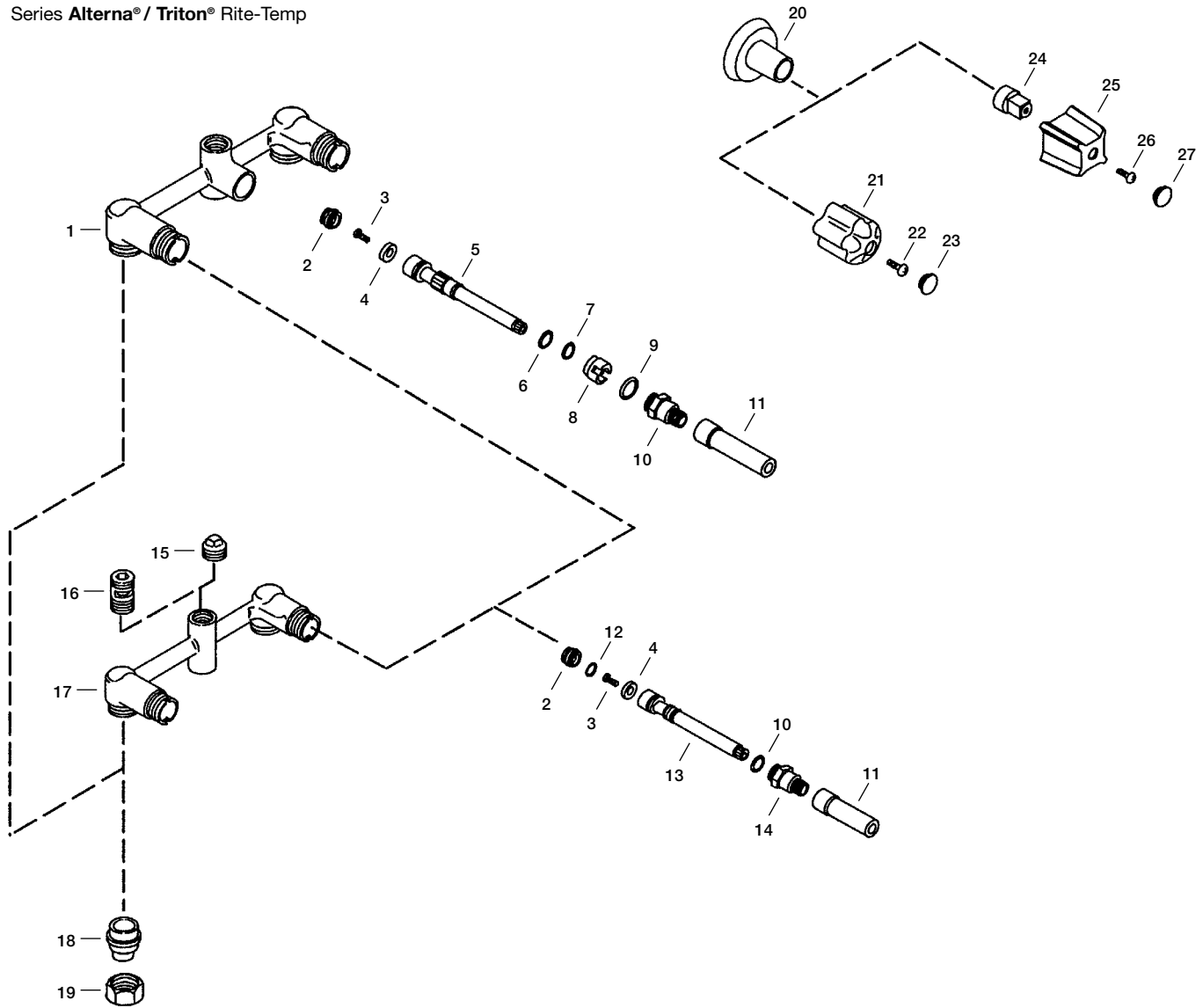
Item No.	Stock No.	OEM Ref No.	Description
1	—	22904	Escutcheon
2	—	48684	Bonnet
3	35747B	34264	O-Ring
4	—	48685	Bearing
5	35726B	34263	O-Ring
6	36615B	34265	Washer
7	17805B	22947	Plunger with Seat Washer & Screw
8	35062B	20961	00 Flat Bibb Washer
9	35633B	34848	Screw
10	15737E	34842	Sleeve
11	30055E	23004	Renewable Seat
12	15553E	30002	Valvet Unit
13	—	34599	3" Seat Extension
14	—	34834	Seat



KOHLER

TUB & SHOWER FIXTURE

Series **Alterna®** / **Triton®** Rite-Temp



Item No.	Stock No.	OEM Ref No.	Description
1	—	40284	Body <i>IPS</i>
	—	40297	Body <i>Direct Sweat</i>
2	30092E	20774	Bibb Seat
3	35141B	31490	Bibb Screw
4	35062B	20961	00 Flat Bibb Washer
5	—	40281	Stem
6	—	71939	O-Ring
7	35724B	42045	O-Ring
8	—	40282	Bushing
9	35784B	34353	O-Ring
10	—	40280	Bonnet
11	—	21073	Sleeve
12	35725B	20960	O-Ring
13	15807B	20896	Stem
14	—	20899	Bonnet
15	—	30521	Aspirator
16	—	34191	Plug
17	—	40283	Body <i>IPS</i>
	—	40296	Body <i>Direct Sweat</i>

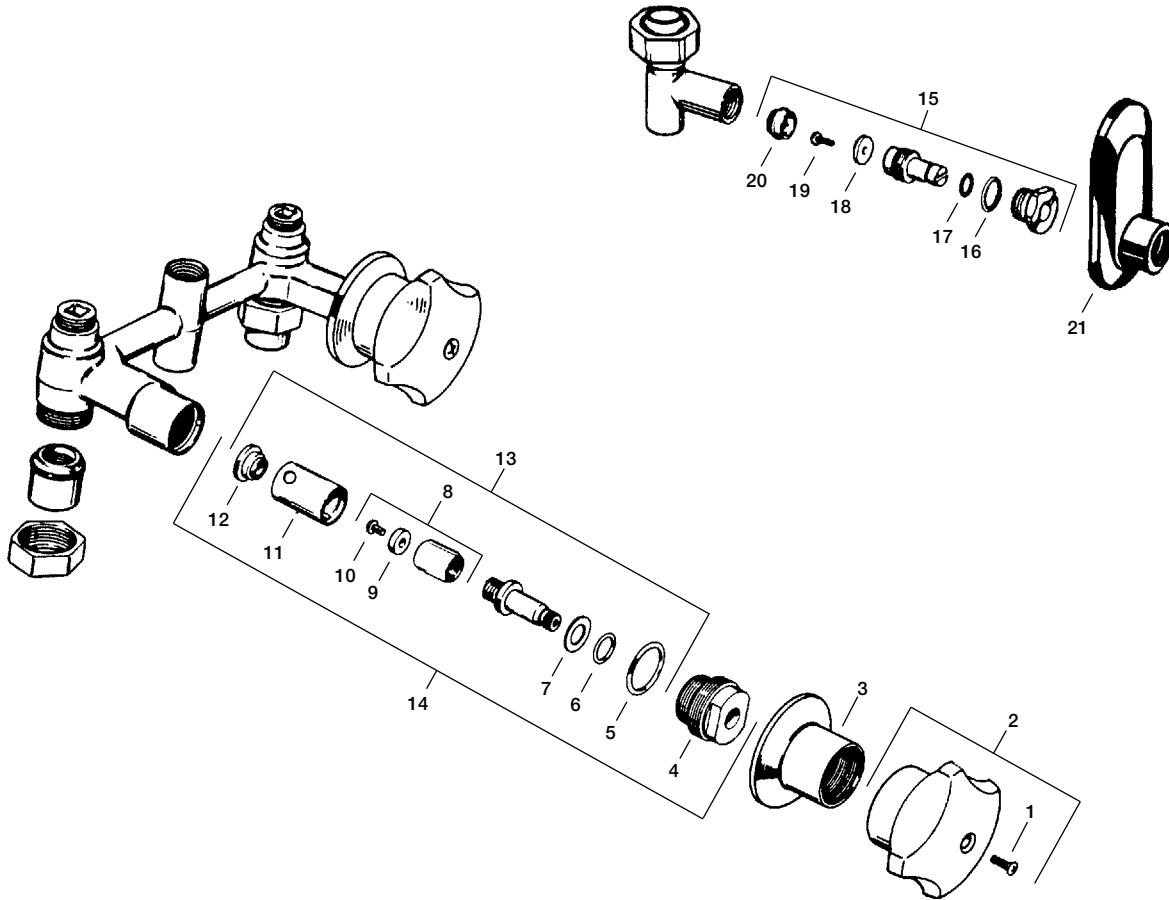
Item No.	Stock No.	OEM Ref No.	Description
18	—	24015	Union Joint <i>Threaded</i>
	—	24899	Union Joint
19	—	24003	Nut
20	—	21086	Escutcheon
21	—	57746	Handle
22	35142B	40230	Handle Screw
23	—	57743	Index Button <i>Red Hot</i>
	—	57744	Index Button <i>Blue Cold</i>
	—	57755	Index Button <i>Grey Diverter</i>
24	—	21079-BC	Spline Adapter
25	88768	21094	(1) Pair Handles <i>Chrome</i>
	88769		Diverter Handle <i>Chrome</i>
26	—	21102	Handle Screw for acrylic handle
	35649B	31491	Handle Screw for chrome handle
27	—	21082-H	Index Button <i>Hot</i>
	—	21082-C	Index Button <i>Cold</i>
	—	21080	Index Button <i>Diverter</i>

ALTERNA and TRITON are registered Trademarks of Kohler

KOHLER

BATH FIXTURE

Series **Altern**a®, **Flair** & **Triton**® II K-6931, K-7004



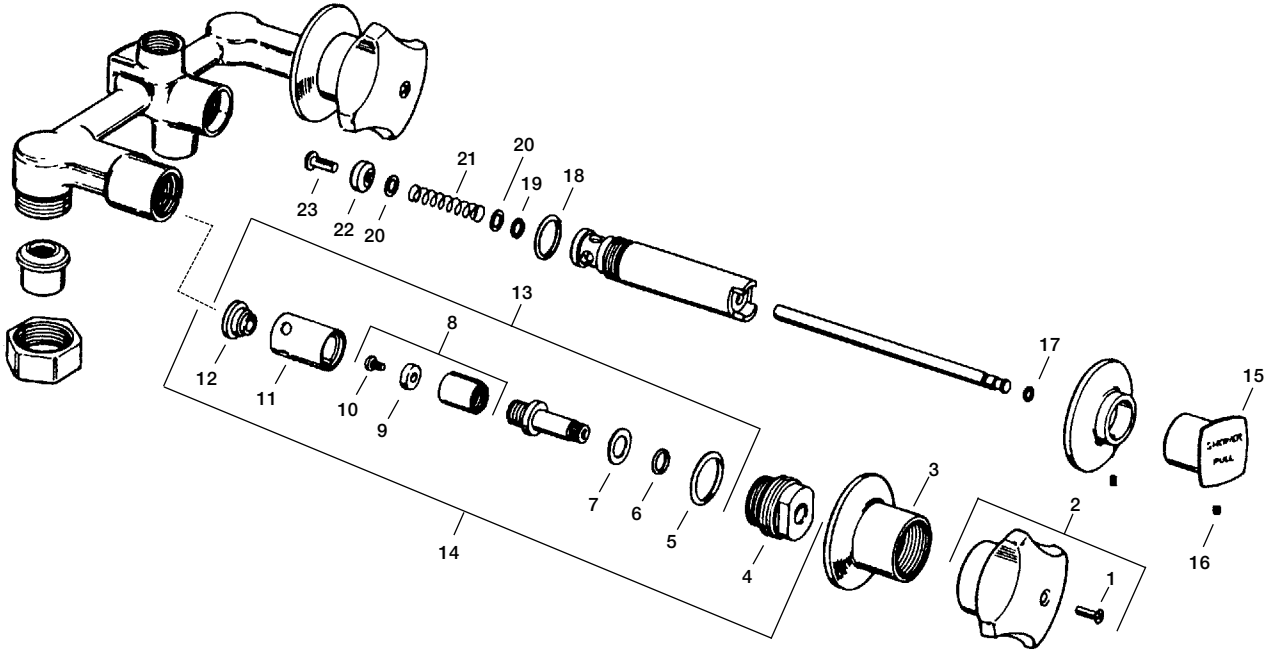
Item No.	Stock No.	OEM Ref No.	Description
1	—	53448	Handle Screw (10 per Pak)
2	20271	41981	(1) Pair Handles
3	—	22904	Escutcheon
4	—	34253	Bonnet Cap Hot & Cold
5	35747B	34264	O-Ring
6	35726B	34263	O-Ring
7	—	34265	Top Bibb Ring
8	17805B	22947	Molded Plunger Hot & Cold
9	35062B	20961	00 Flat Bibb Washer
10	—	34848	Bibb Screw (for Handle)
11	15737E	34842	Barrel for Brass Seat Hot & Cold
12	30055E	23004	Bibb Seat Brass
13	15553E	—	Stem with Barrel LH Hot & Cold
14	17017B	—	Stem with Bonnet & Cap LH Hot & Cold
16	35729B	32657	O-Ring
17	35725B	20960	O-Ring
18	35065B	22506	1/4L Flat Bibb Washer
19	—	31490	Screw
20	—	22526	Seat

ALTRNA and TRITON are registered Trademarks of Kohler

KOHLER

BATH FIXTURE

Series Triton® II & Alterna® K-6932, K-7014



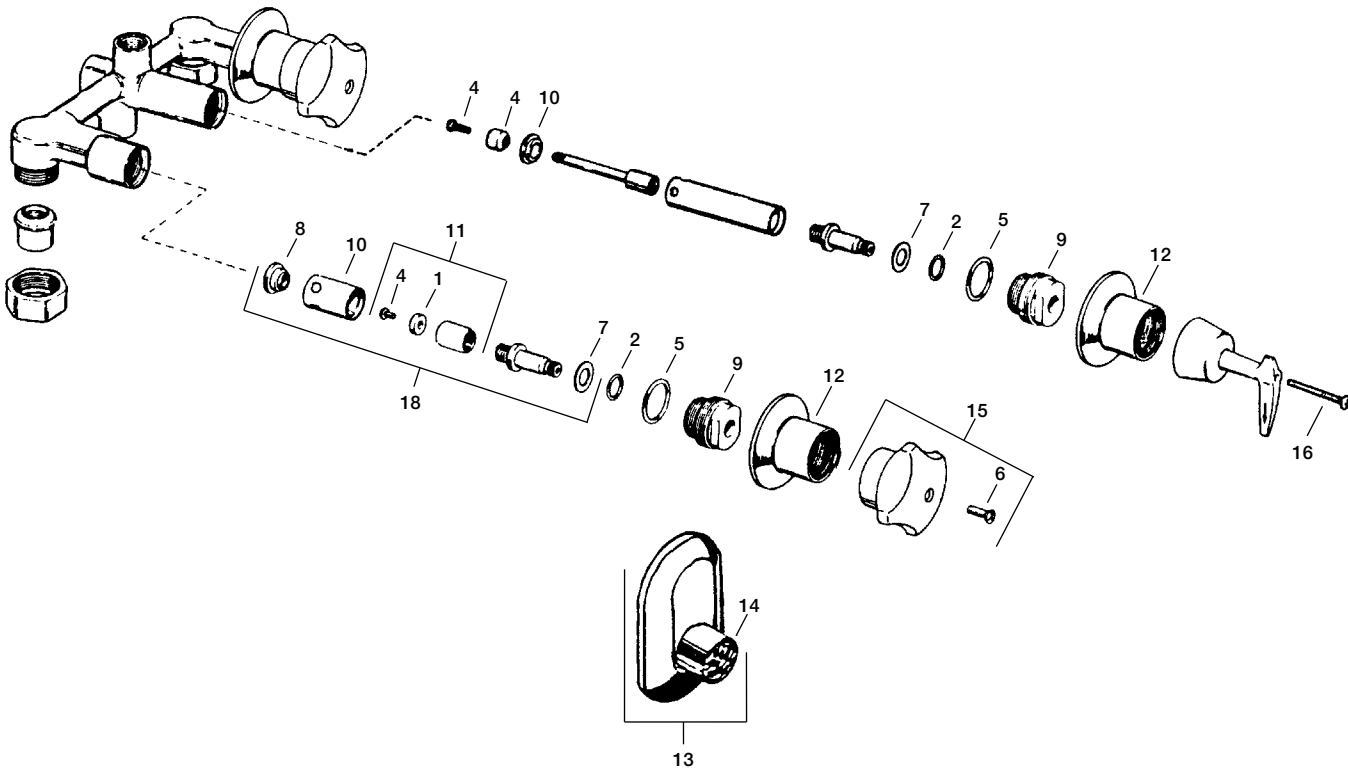
Item No.	Stock No.	OEM Ref No.	Description
1	—	53448	Handle Screw (10 per Pak)
2	20271	41981	(1) Pair Handles
3	—	22904	Escutcheon
4	—	34253	Bonnet Cap Hot & Cold
5	35747B	34264	O-Ring
6	35726B	34263	O-Ring
7	—	34265	Top Bibb Ring
8	17805B	22947	Molded Plunger Hot & Cold
9	35062B	20961	00 Flat Bibb Washer
10	—	34848	Bibb Screw (for Handle)
11	15737E	34842	Barrel for Brass Seat Hot & Cold
12	30055E	23004	Bibb Seat Brass
13	15553E	—	Stem with Barrel LH Hot & Cold
14	17017B	—	Stem with Bonnet & Cap LH Hot & Cold
15	—	—	Diverter Handle (Knob Style)
16	—	—	Handle Set Screw
17	35761B	51679	O-Ring
18	35730B	40933	O-Ring
19	35722B	—	O-Ring
20	—	—	Washer Brass
21	—	20494	Spring
22	35703B	20866	Diverter Washer
23	—	20959	Handle Screw
24	—	40211	Stem with Bonnet Diverter

ALTERNA and TRITON are registered Trademarks of Kohler

KOHLER

BATH FIXTURE

Series Constellation K-7014, K-7016



Item No.	Stock No.	OEM Ref No.	Description
1	35062B	20961	00 Flat Bibb Washer
2	35726B	34263	O-Ring
3	—	22942	Diverter Washer
4	—	31490	Bibb Screw
5	35747B	34264	O-Ring
6	35649B	34848	Handle Screw
7	—	34265	Top Bibb Ring
8	30055E	23004	Bibb Seat <i>Brass</i>
9	—	34253	Bonnet Cap Hot & Cold
10	15737E	34842	Barrel with Seat <i>Brass</i>
11	17805B 17806B	22947 22948	Molded Plunger <i>Hot</i> Molded Plunger <i>Cold</i>
12	—	22904	Escutcheon
13	—	27516	Flange & Sleeve
14	—	29514	Escutcheon Sleeve
15	—	—	(1) Pair Handles
16	—	41117	Screw
17	—	22927	Renewable Seat
18	15553E 15554E 15630B 17460E 17461E	30002 — — — —	Stem with Barrel & Molded Plunger L.H. Hot Stem with Barrel & Molded Plunger R.H. Cold Stem with Bonnet & Cap Diverter Stem with Barrel & Brass Plunger L.H. Hot Stem with Barrel & Brass Plunger R.H.Cold

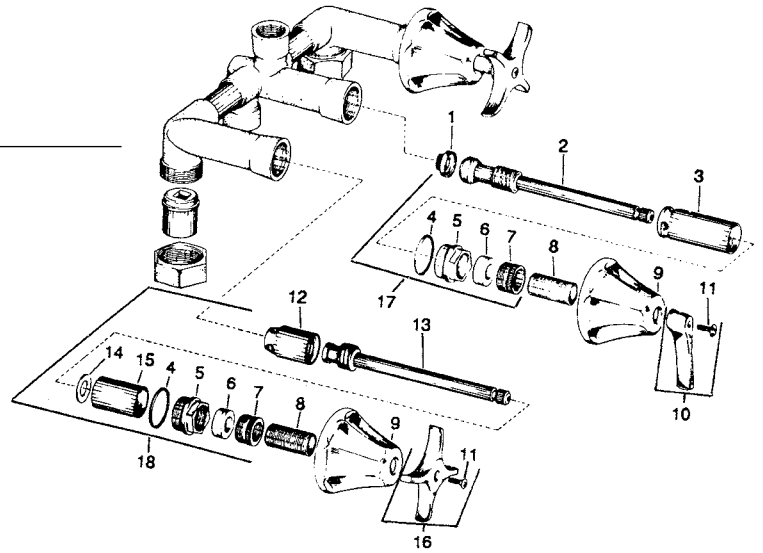
REPAIRS FOR

KOHLER

BATH FIXTURE

Series K-7042

Item No.	Stock No.	OEM Ref No.	Description
1	—	22692	Bibb Seat (10 per Pak)
2	—	22862	Stem Diverter
3	—	637301	Sleeve
4	35544B	32057	Cap Thread Gasket
5	—	32002	Bonnet
6	35200B	32005	Bonnet Packing
7	—	32008	Packing Nut
8	—	22511	Escutcheon Nipple
9	—	34116	Escutcheon
10	—	34064	Diverter Handle
11	—	33357	Handle Screw <i>Chrome</i>
12	15145E	32462	Barrel R.H. Hot & Cold
14	—	32470	Top Bibb Ring
15	—	34190	Sleeve
16	—	—	(1) Pair Handles
17	—	—	Stem with Bonnet Diverter
18	15174B	—	Stem with Bonnet R.H. Hot & Cold Does not include Sleeve
19	35063B	—	O Flat Bibb Washer
20	—	—	Monel Bibb Screw



REPAIRS FOR

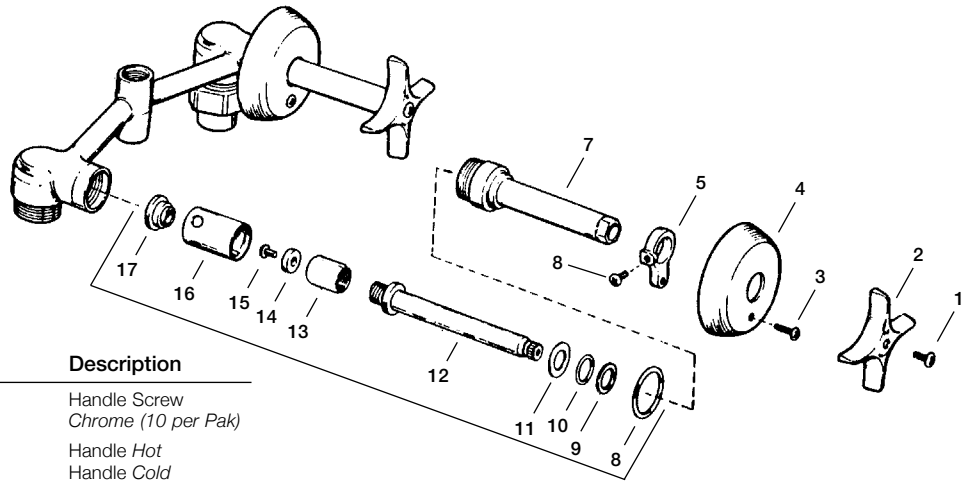
KOHLER

BATH FIXTURE

Series Aquaric K-10106

Item No.	Stock No.	OEM Ref No.	Description
1	—	33357	Handle Screw <i>Chrome (10 per Pak)</i>
2	—	20419-H	Handle <i>Hot</i>
	—	20419-C	Handle <i>Cold</i>
3	—	33357	Escutcheon Screw
4	—	20420	Escutcheon
5	—	50495	Lock Ring
6	—	34848	Set Screw
7	—	20415	Cap Nut
8	35747B	34264	O-Ring
9	—	20416	Washer
10	35726B	34263	O-Ring
11	—	34265	Top Bibb Ring
12	—	20413	Stem

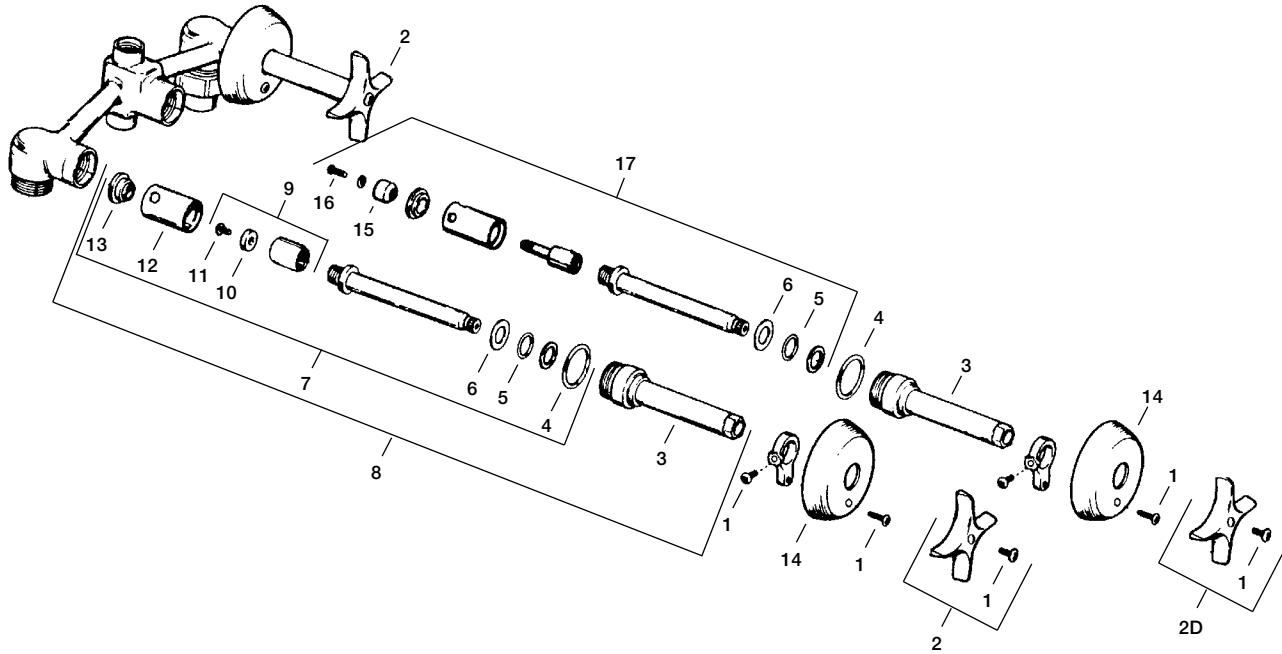
Item No.	Stock No.	OEM Ref No.	Description
13	17805B	22947	Molded Plunger Hot & Cold
14	35062B	39541	O Flat Bibb Washer
15	—	34848	Bibb Screw
16	15737E	34842	Barrel with Seat <i>Brass</i>
17	30055E	23004	Bibb Seat <i>Brass</i>
18	15799B	20654	Stem with Bonnet R.H. Hot & Cold
	15800B	—	Stem with Bonnet & Cap R.H. Hot & Cold



KOHLER

BATH FIXTURE

Series Aquaric K-10116

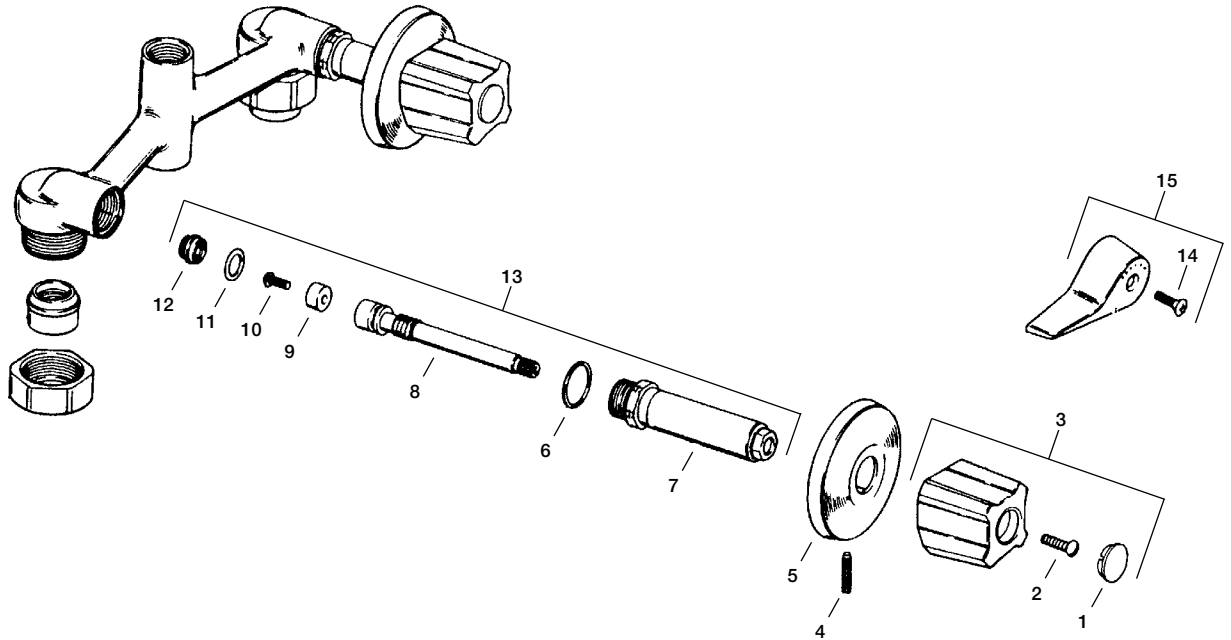


Item No.	Stock No.	OEM Ref No.	Description
1	—	33357	Handle Screw <i>Chrome (10 per Pak)</i>
2	—	20419	(1) Pair Handles
	—	20419	Hot Handle
	—	20419	Cold Handle
2D	—	20419	Diverter Handle
3	—	20415	Bonnet Cap Hot & Cold
4	35747B	34264	O-Ring
5	35726B	34263	O-Ring
6	—	34265	Top Bibb Ring
7	15799B	20654	Stem with Bonnet RH Hot & Cold
8	15800B	20654	Stem with Bonnet & Cap RH Hot & Cold
9	17805B	22947	Molded Plunger <i>Hot & Cold</i>
10	35062B	20961	00 Flat Bibb Washer
11	—	34848	Bibb Screw (Handle)
12	15737E	34842	Barrel with Seat <i>Brass</i>
13	30055E	23004	Bibb Seat <i>Brass</i>
14	—	K-10116	Escutcheon
15	—	22942	Diverter Washer
16	35142B	31490	Bibb Screw
17	—	20413	Stem with Bonnet Diverter
	—	20413	Stem with Bonnet & Cap Diverter

KOHLER

BATH FIXTURE

Series Trend® K-10606, K-10612, K-11606, K-11606-PH, K-11606-B, K-11612-PH, K-11612-B



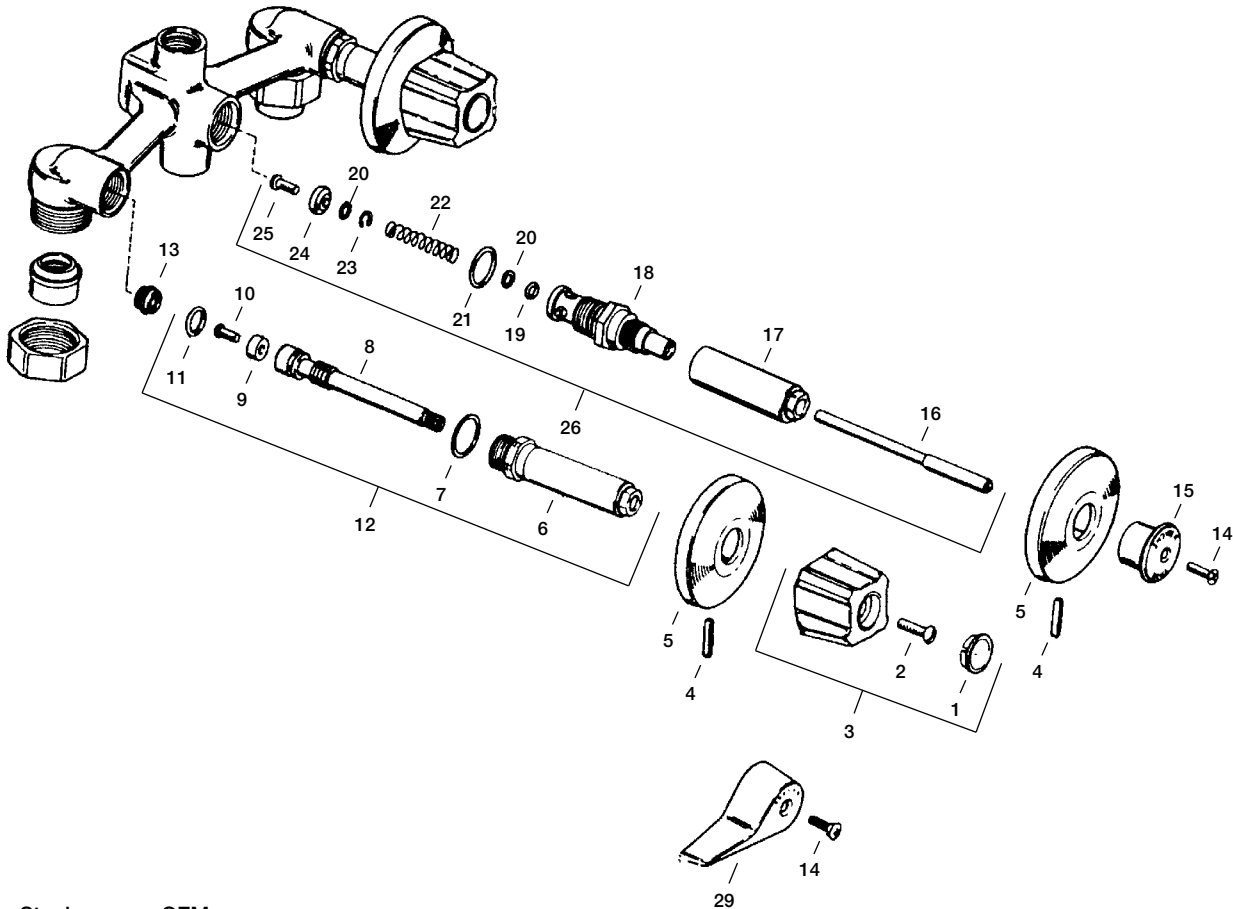
Item No.	Stock No.	OEM Ref No.	Description
1	—	21082-H	Index Button <i>Hot</i>
	—	21082-C	Index Button <i>Cold</i>
2	35649B	31491	Handle Screw
3	—	—	(1) Pair Handles <i>Acrylic</i>
	88358	20986	(1) Pair Handles <i>Metal</i>
	—	30011	Diverter Handle <i>Metal</i>
4	—	20907	Escutcheon Set Screw
5	80896	20851	Escutcheon
6	—	20899	Bonnet
7	35570B	20897	Cap Thread Gasket
8	—	—	Stem R.H. <i>Hot</i>
	—	—	Stem L.H. <i>Cold</i>
9	35062B	39541	00 Flat Bibb Washer
10	35141B	31490	Bibb Screw
11	35725B	20960	O-Ring
12	30092E	20774	Bibb Seat
13	15809B	20905	Stem with Bonnet R.H. <i>Hot</i>
	15810B	20905	Stem with Bonnet L.H. <i>Cold</i>
14	35649B	22859	Handle Screw
15	—	—	(1) Pair Handles

TREND is a registered Trademark of Kohler

KOHLER

BATH FIXTURE

Series Shoreham & Trend® K-10616, K-10620, K-11616, K-11620



Item No.	Stock No.	OEM Ref No.	Description
1	—	21082-H 21082-C	Index Button <i>Hot</i> Index Button <i>Cold</i>
2	35141B	31491	Handle Screw
3	88358	20986	(1) Pair Handles <i>Metal</i>
	—	20984	Handle <i>Acrylic</i>
4	—	20907	Escutcheon Set Screw
5	80896	20851	Escutcheon
6	—	20898 20899	Bonnet <i>Hot</i> Bonnet <i>Cold</i>
7	35570B	20897	Cap Thread Gasket
8	—	— —	Stem R.H. <i>Hot</i> Stem L.H. <i>Cold</i>
9	35062B	39541	00 Flat Bibb Washer
10	—	31490	Bibb Screw
11	35725B	20960	O-Ring
12	15809B 15810B	20905 20904	Stem with Bonnet R.H. <i>Hot</i> Stem with Bonnet L.H. <i>Cold</i>
13	30092E	20774	Bibb Seat
14	35649B	22859	Handle Screw
15	—	20860	Diverter Handle <i>Knob Style</i>
16	—	20865	Stem <i>Diverter</i>
17	—	20853	Sleeve <i>Diverter</i>
18	—	20864	Bonnet <i>Diverter</i>
19	35722B	32698	O-Ring
20	—	20728	Brass Washer 2 Required

Item No.	Stock No.	OEM Ref No.	Description
21	35730B	40933	O-Ring
22	—	20494	Spring
23	—	42265	Retaining Ring
24	35703B	20866	Diverter Washer
25	—	20959	Screw
26	17150B	20868	Stem with Bonnet <i>Diverter</i>
27	—	24015 24899	Union Joint for 1/2" <i>IPS</i> Union Joint for 5/8" <i>Copper</i>
28	—	24003	Union Nut
29	—	20955 20954	Hot Handle <i>Shoreham Style</i> Cold Handle <i>Shoreham Style</i>

TREND is a registered Trademark of Kohler

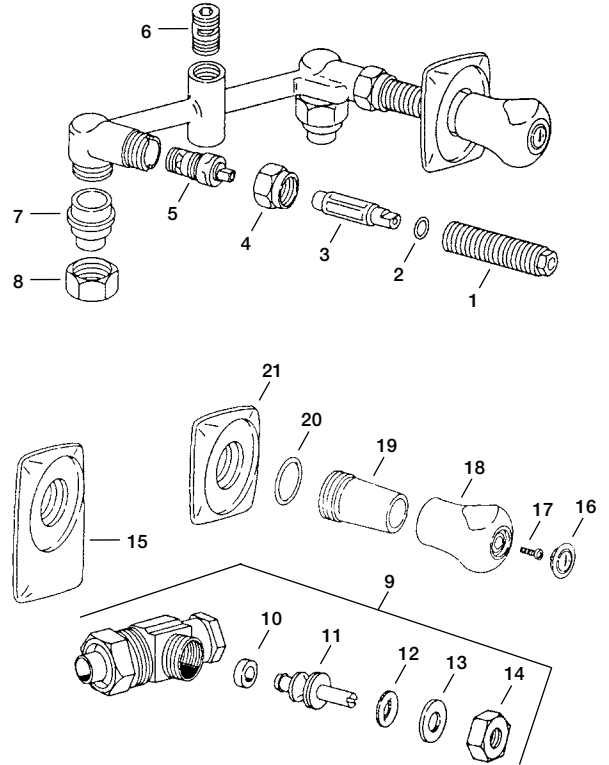
REPAIRS FOR

KOHLER

BATH FIXTURE

Series **Coralais**®

Item No.	Stock No.	OEM Ref No.	Description
1	—	70539	Sleeve
2	35725B	20960	O-Ring
3	—	70096	Stem Extension
4	—	70538	Bonnet
5	17472B	—	Valve Replacement <i>Closes Clockwise</i>
6	—	—	Aspirator Kit Contains (2)
7	—	70101	Union Joint
8	—	70100	Union Nut
9	—	—	Stop 5/8" O.D. <i>Copper</i>
10	35062B	20961	00 Flat Bibb Washer
11	—	40287	Stem
12	—	40291	Packing
13	—	40288	Washer
14	—	40289	Bonnet Nut
15	—	70292	Escutcheon
16	—	—	Handle Button <i>Cold</i> Handle Button <i>Hot</i>
17	—	70047	Handle Screw
18	—	70233	Handle
19	—	70537	Escutcheon Sleeve
20	—	21159	O-Ring
21	—	—	Escutcheon Plate <i>Chrome</i>



CORALAIS is a registered Trademark of Kohler

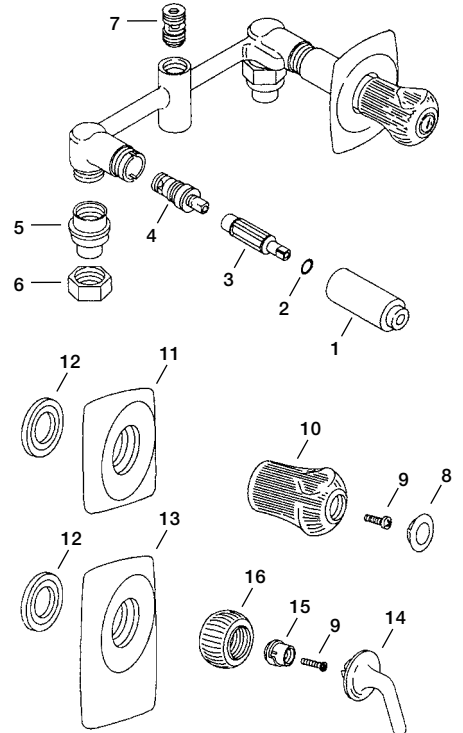
REPAIRS FOR

KOHLER

BATH FIXTURE

Series **Coralais**® K-15201, K-15204

Item No.	Stock No.	OEM Ref No.	Description
1	—	70098	Sleeve
2	35724B	42045	O-Ring
3	—	70096	Stem Extension
4	17472B 17473B	—	Valve Replacement <i>Closes Clockwise</i> Valve Replacement <i>Closes Counter Clockwise</i>
5	—	70101	Union Joint
6	—	70100	Union Nut
7	—	30521	Aspirator
8	—	—	Handle Button <i>Cold</i> Handle Button <i>Hot</i>
9	—	70047	Handle Screw
10	—	70233	Handle
11	—	70289	Escutcheon
12	—	70097	Grommet
13	—	70292	Escutcheon
14	—	70303	Lever Handle
15	—	70307	Adapter
16	—	70306	Skirt

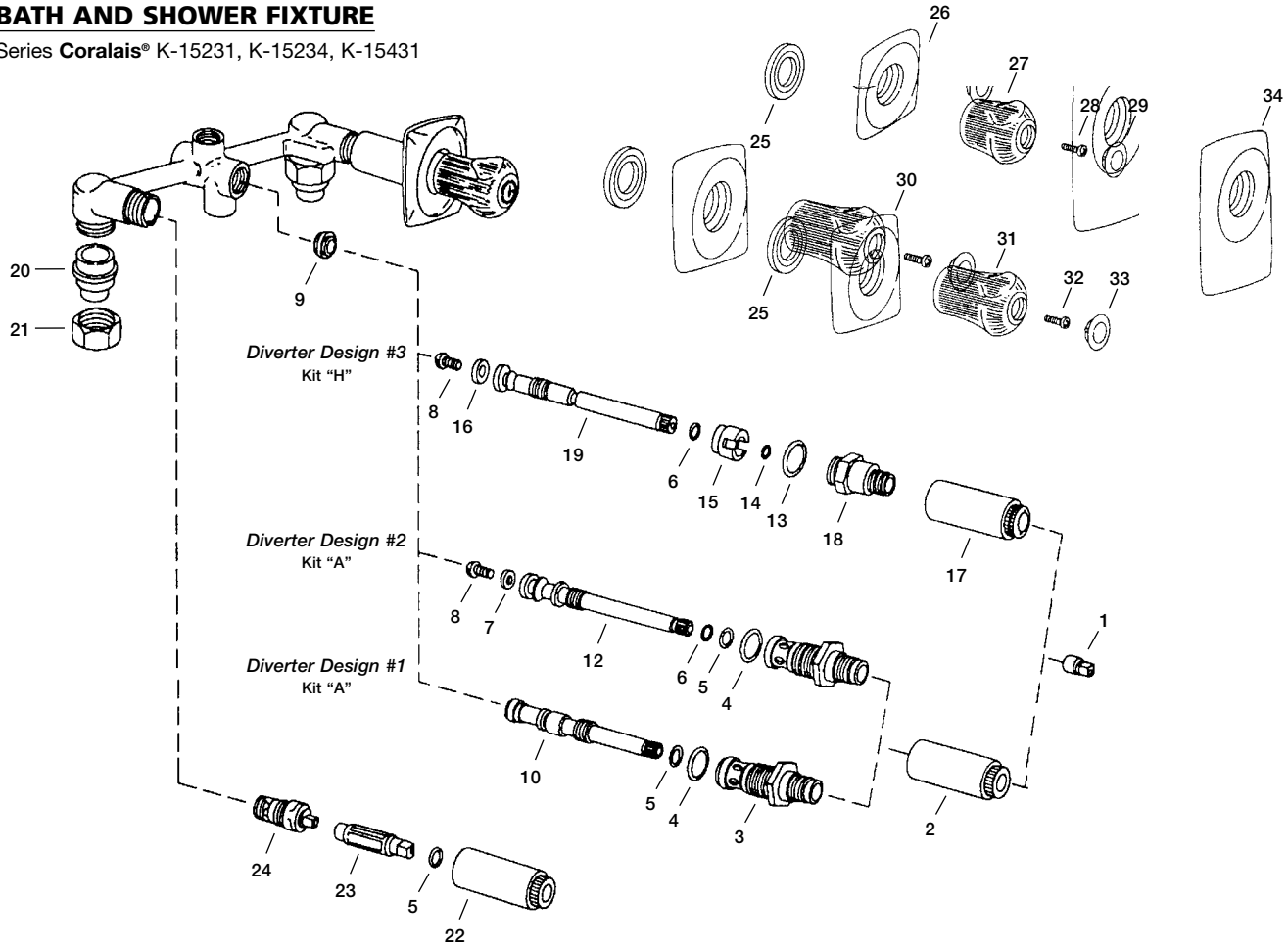


CORALAIS is a registered Trademark of Kohler

KOHLER

BATH AND SHOWER FIXTURE

Series Coralais® K-15231, K-15234, K-15431



Item No.	Stock No.	OEM Ref No.	Description
1	—	70112	Adapter
2	—	70111	Sleeve
3	—	—	Diverter Replacement Kit
4	35730B	40933	O-Ring
5	35725B	20960	O-Ring
6	—	42451	O-Ring
7	35064B	34209	1/4 Flat Bibb Washer
8	—	31490	Bibb Screw
9	30092E	20774	Seat
10	—	—	Diverter Replacement Kit
11	—	70471	Bonnet
12	—	70472	Stem
13	35784B	34353	O-Ring
14	—	33993	O-Ring
15	—	40282	Bushing
16	35062B	20961	00 Flat Bibb Washer
17	—	70493	Sleeve
18	—	40280	Bonnet
19	—	70496	Stem
20	—	70101	Union Joint
21	—	70100	Union Nut
22	—	70098	Sleeve
23	—	70096	Stem Extension
24	17472B	—	Valve Replacement Closes Clockwise
25	—	70097	Grommet
26	—	—	Diverter Escutcheon Chrome

Item No.	Stock No.	OEM Ref No.	Description
27	—	70206	(1) Pair Handles
28	—	70117	Handle Screw
29	—	70252	Handle Button
30	—	—	Escutcheon Chrome Escutcheon Polished Brass
31	—	70233	Handle
32	—	70047	Handle Screw
33	—	—	Handle Button Cold Handle Button Hot
34	—	70292	Escutcheon

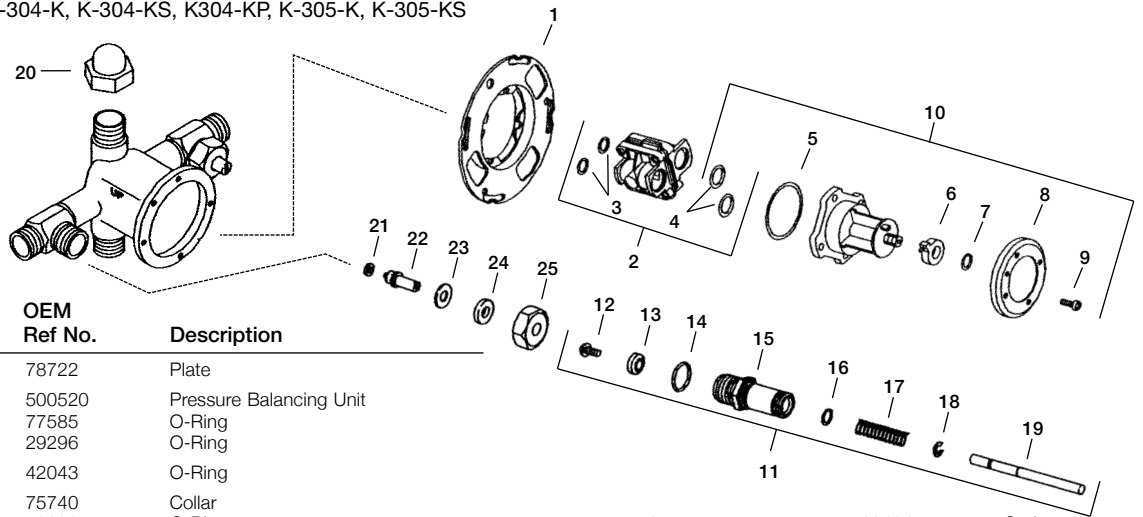
CORALAIS is a registered Trademark of Kohler

REPAIRS FOR

KOHLER

TUB & SHOWER VALVE

Series Rite-Temp™ K-304-K, K-304-KS, K304-KP, K-305-K, K-305-KS



Item No.	Stock No.	OEM Ref No.	Description
1	—	78722	Plate
2	—	500520	Pressure Balancing Unit
3	35725B	77585	O-Ring
4	35755B	29296	O-Ring
5	35779B	42043	O-Ring
6	—	75740	Collar
7	—	73933	O-Ring
8	—	79478	Collar
9	—	21980	Screw
10	—	77759	Cap Assembly
11	—	89773	Diverter Assembly
12	—	20959	Handle Screw <i>Chrome (10 per Pak)</i>
13	—	1006041	Seat
14	35730B	40933	O-Ring
15	—	78665	Bonnet
16	—	20493	O-Ring

17	—	20494	Spring
18	—	50715	E-Ring
19	—	59681	Stem
20	—	71933	Cap Assembly
21	—	77136	Washer
22	—	77135	Stem
23	—	77132	Washer
24	—	77131	Washer
25	—	77130	Nut

RITE-TEMP is a registered Trademark of Kohler

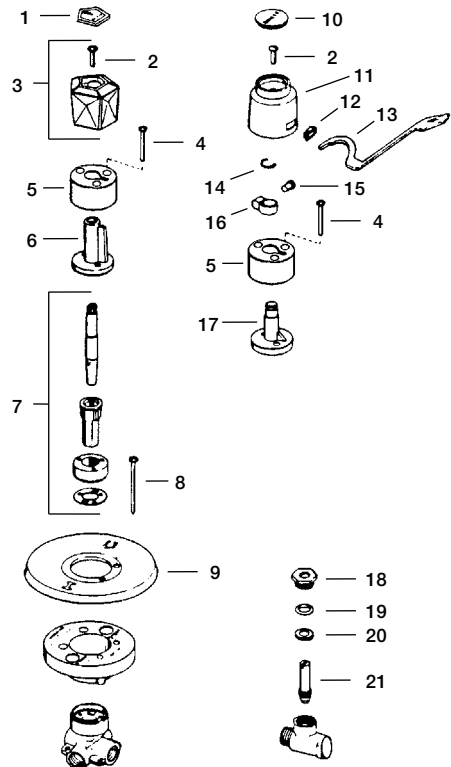
REPAIRS FOR

KOHLER

BATH FIXTURE

Built-In Mixing Valve **Centura** Series
 K-6872-73 Bath & Shower
 K-6874-75 Shower
 K-6876-77 Bath
 K-6878-79 Single Control Valve Only

Item No.	Stock No.	OEM Ref No.	Description
1	—	42163	Index Button
2	—	42121	Handle Screw <i>(10 per Pak)</i>
3	—	42118	Handle
4	—	42140	Screw
5	—	42111	Cam Bearing Cover
6	—	42113	Cam Bearing
7	80461	42173	Cartridge
8	—	42131	Kohler Screw
9	—	42188	Escutcheon Plate
10	—	42164	Index Button
11	—	42187	Handle Cap
12	—	42158	Handle Lever Grommet
13	—	42107	Handle Lever
14	—	42151	Snap Ring
15	—	42175	Bushing & Collar
16	—	42176	Lever Collar
17	—	42112	Cam Bearing
18	—	32749	Packing Nut
19	35721B	34117	O-Ring
20	—	32748	Top Bibb Ring
21	—	34556	Stop Stem

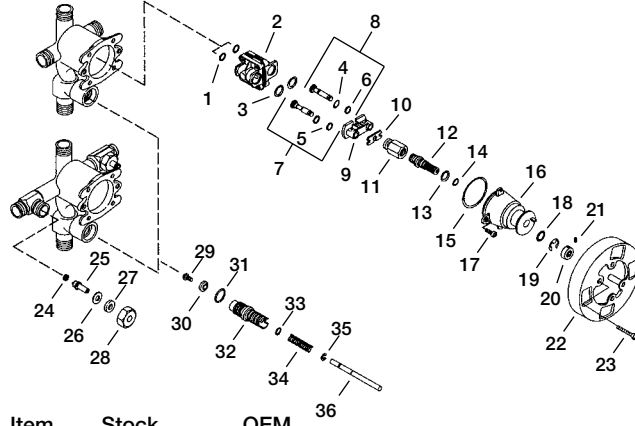


REPAIRS FOR

KOHLER

TUB & SHOWER VALVE

Series **Rite-Temp™** Pressure-Balancing with Brass Cap



Item No.	Stock No.	OEM Ref No.	Description
1	—	52480	O-Ring
2	—	73717	Pressure Regulator
3	35755B	29296	O-Ring
4	—	52478	O-Ring
5	—	74876	O-Ring
6	—	51251	O-Ring
7	—	74889	Plunger <i>Hot</i>
8	—	59383	Plunger <i>Cold</i>
9	—	52450	Plate
10	—	52454	Stem Bar
11	—	52455	Stem
12	—	52453	Spindle
13	—	52456	Washer
14	—	55109	O-Ring
15	35779B	42043	O-Ring
16	—	52451	Cap
17	—	21980	Screw
18	—	52456	Washer
19	—	50541	E-Ring
20	—	52452	Collar
21	—	20925	Screw
22	—	58564	Guard
23	—	92586	Screw
24	—	77136	Washer
25	—	77135	Stem

Item No.	Stock No.	OEM Ref No.	Description
26	—	77132	Washer
27	—	77131	Washer
28	—	77130	Nut
29	—	20959	Handle Screw <i>Chrome (10 per Pak)</i>
30	35703B	20866	Seat
31	35730B	40933	O-Ring
32	—	59680	Bonnet
33	—	20493	O-Ring
34	—	20494	Spring
35	—	50715	E-Ring
36	—	59681	Stem

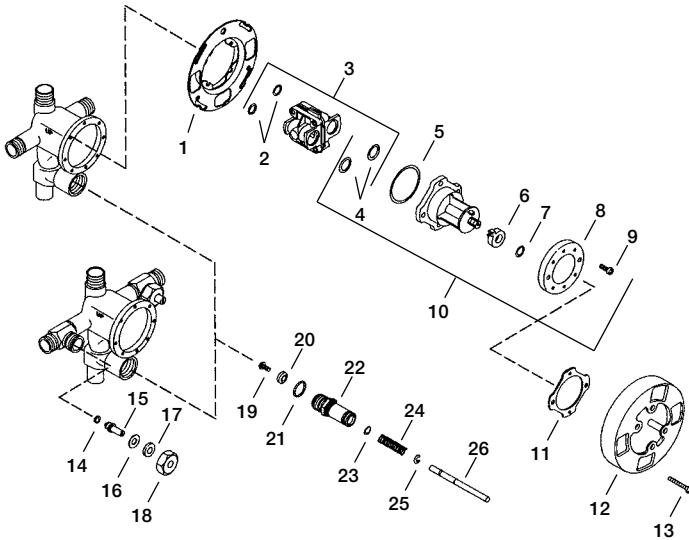
RITE-TEMP is a registered Trademark of Kohler

REPAIRS FOR

KOHLER

TUB & SHOWER VALVE

Series **Rite-Temp™** Pressure-Balancing with Plastic Cap



Item No.	Stock No.	OEM Ref No.	Description
1	—	78722	Plate
2	35725B	77585	O-Ring
3	—	500520	Pressure-Balancing Unit
4	35755B	29296	O-Ring
5	35779B	42043	O-Ring
6	—	75740	Collar
7	—	73933	O-Ring
8	—	79478	Collar
9	—	21980	Screw
10	—	77759	Cap
11	—	77249	Collar
12	—	75819	Guard
13	—	97217	Screw
14	—	77136	Washer
15	—	77135	Stem
16	—	77132	Washer
17	—	77131	Washer
18	—	77130	Nut
19	—	20959	Handle Screw <i>Chrome (10 per Pak)</i>
20	—	1006041	Seat

Item No.	Stock No.	OEM Ref No.	Description
21	35730B	40933	O-Ring
22	—	78665	Bonnet
23	—	20493	O-Ring
24	—	20494	Spring
25	—	50715	E-Ring
26	—	59681	Stem

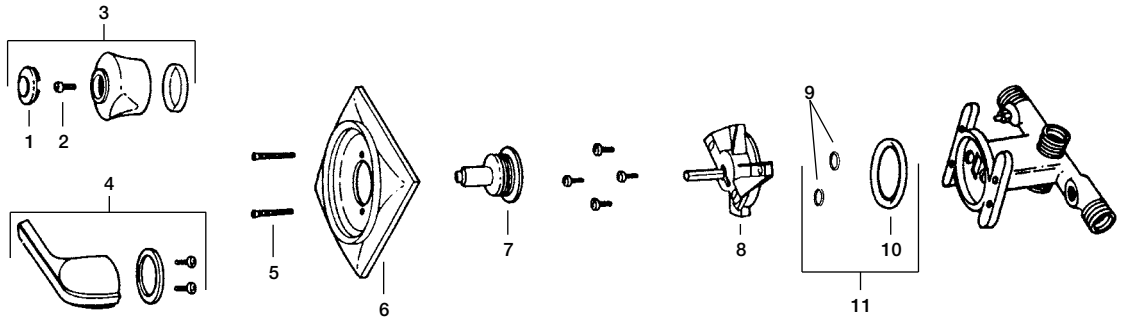
RITE-TEMP is a registered Trademark of Kohler

REPAIRS FOR

KOHLER

BATH FIXTURE

Series **Coralais**® K-15101



Item No.	Stock No.	OEM Ref No.	Description
1	—	71841	Handle Button <i>Chrome</i>
2	—	—	Handle Screw <i>Sheet Metal</i>
3	—	30316	Acrylic Handle Assembly
4	—	71904	Plated Lever Handle <i>Chrome</i>
5	—	30315	Escutcheon Screws
6	—	30321	Escutcheon
7	—	71906	Stem Extension
8	88419	30318	Cartridge Kit
9	35723B	—	O-Ring 2 Required
10	35773B	—	O-Ring
11	—	71541	Valve Service Kit

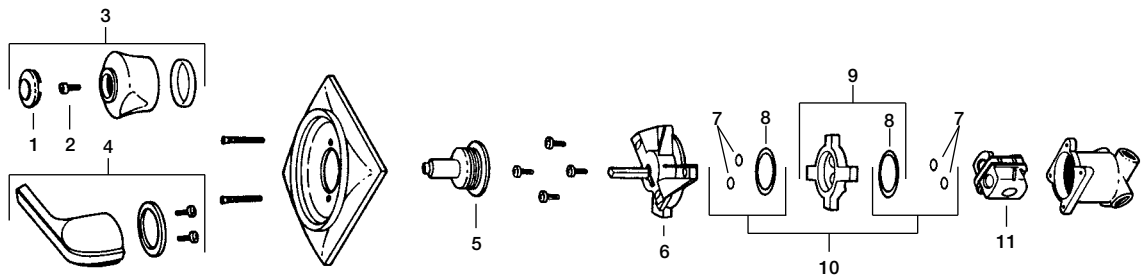
CORALAIS is a registered Trademark of Kohler

REPAIRS FOR

KOHLER

BATH FIXTURE

Pressure Balanced Series **Coralais**® K-15102



Item No.	Stock No.	OEM Ref No.	Description
1	—	71841	Handle Button <i>Chrome</i>
2	—	—	Handle Screw <i>Sheet Metal</i>
3	—	30316	Acrylic Handle Assembly
4	—	71904	Plated Lever Handle <i>Chrome</i>
5	—	71906	Stem Extension
6	88419	30318	Cartridge Kit
7	35723B	—	O-Ring 4 Required
8	35773B	—	O-Ring 2 Required
9	—	30320	Adapter Kit
10	—	71541	Valve Service Kit
11	—	500520	Pressure Regulator Body

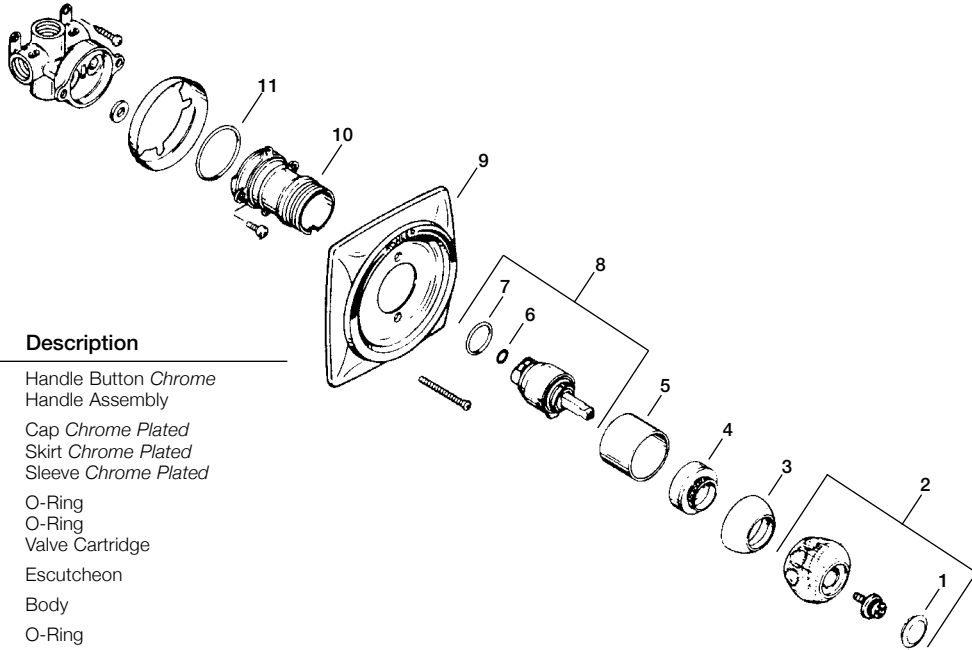
CORALAIS is a registered Trademark of Kohler

REPAIRS FOR

KOHLER

BATH FIXTURE

Series **Coralais**® K-15131, K-15133



Item No.	Stock No.	OEM Ref No.	Description
1	—	71841	Handle Button <i>Chrome</i>
2	—	71840	Handle Assembly
3	—	71524	Cap <i>Chrome Plated</i>
4	—	71509	Skirt <i>Chrome Plated</i>
5	—	71816	Sleeve <i>Chrome Plated</i>
6	35723B	—	O-Ring
7	35759B	—	O-Ring
8	88739	30413	Valve Cartridge
9	—	71839	Escutcheon
10	—	71812	Body
11	35779B	—	O-Ring
	—	71541	Valve Service Kit <i>Not Illustrated</i>

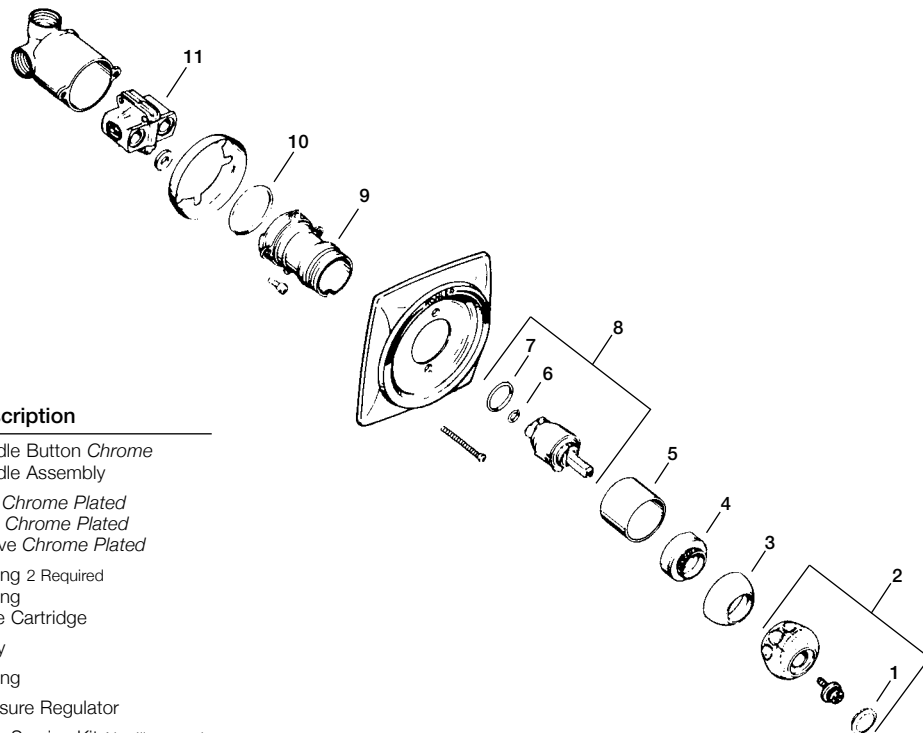
CORALAIS is a registered Trademark of Kohler

REPAIRS FOR

KOHLER

BATH FIXTURE

Series **Coralais**® K-15132



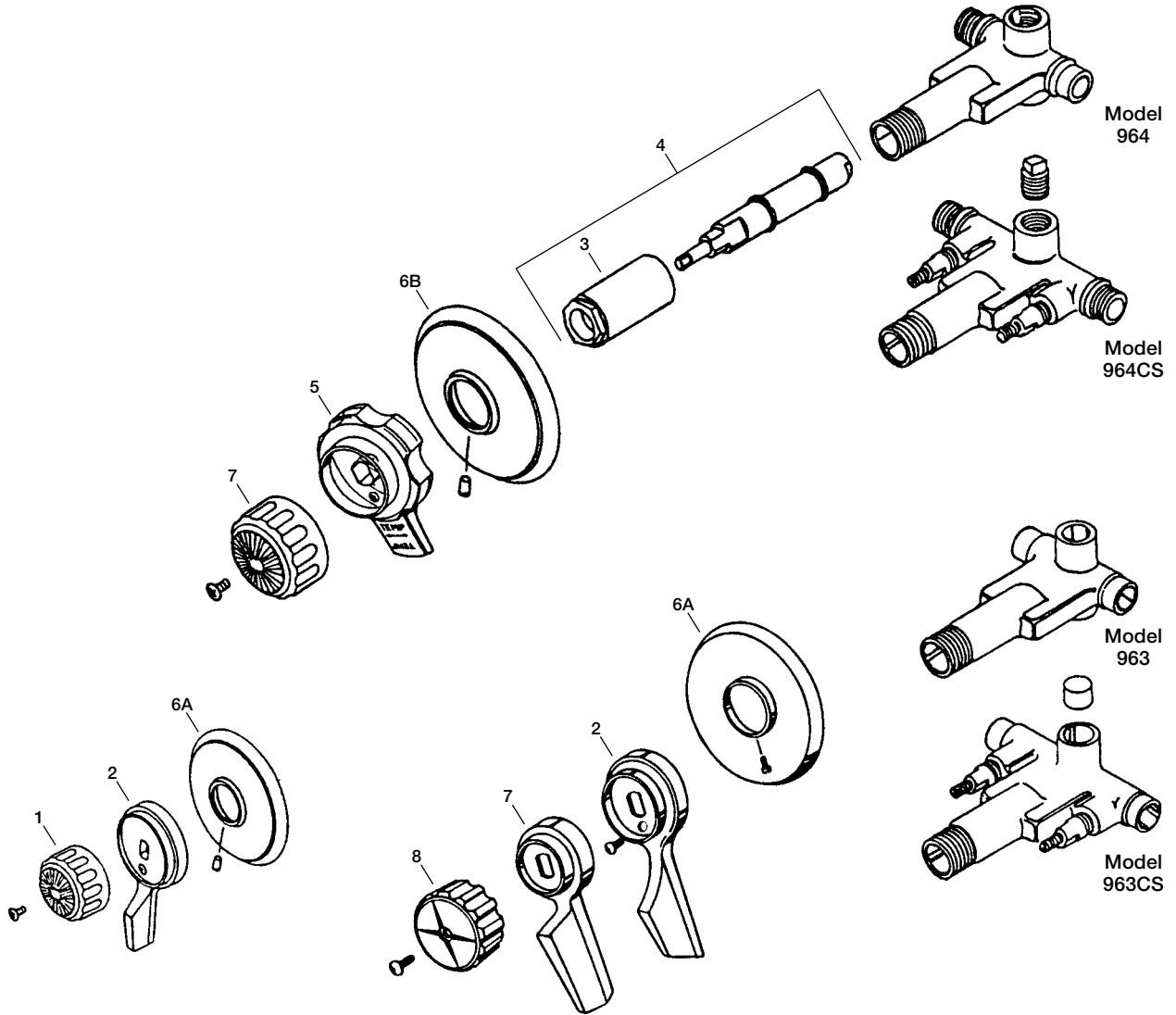
Item No.	Stock No.	OEM Ref No.	Description
1	—	71841	Handle Button <i>Chrome</i>
2	—	71840	Handle Assembly
3	—	71524	Cap <i>Chrome Plated</i>
4	—	71509	Skirt <i>Chrome Plated</i>
5	—	71816	Sleeve <i>Chrome Plated</i>
6	35723B	—	O-Ring 2 Required
7	35759B	—	O-Ring
8	88739	30413	Valve Cartridge
9	—	71812	Body
10	35779B	—	O-Ring
11	—	30086	Pressure Regulator
	—	71541	Valve Service Kit <i>Not Illustrated</i>

CORALAIS is a registered Trademark of Kohler

MIXET

BATH FIXTURE

Models 964, 964CS, 963, 963CS



Item No.	Stock No.	OEM Ref No.	Description
1	88201 88203 88205	— — —	Volume Control Knob <i>Clear</i> Volume Control Knob <i>Smoke</i> Volume Control Knob <i>Chrome</i>
2	88206	—	Temperature Control Lever Handle <i>Chrome Plated ABS</i>
3	—	—	Assembly Nut <i>Chrome Plated</i>
4	88200	—	Plastic Valve Cartridge w/Assembly Nut
5	88202 88204	— —	Temperature Handle <i>Clear</i> Temperature Handle <i>Smoke</i>
6A	—	—	4-1/2" Flange
6B	—	—	5-1/2" Flange
7	—	—	Metal Lever Handle <i>Chrome Plated</i>
8	—	—	Metal Handle <i>Round</i>

Stock No.	OEM Ref No.	Description
28498	—	Trim Kit
	<i>Contains:</i>	(1) 88201 Clear Volume Control Knob (1) 88202 Clear Temperature Handle (1) 4-1/2" Flange
28499	—	Trim Kit
	<i>Contains:</i>	(1) 88201 Clear Volume Control Knob (1) 88202 Chrome Temperature Handle (1) 5-1/2" Flange

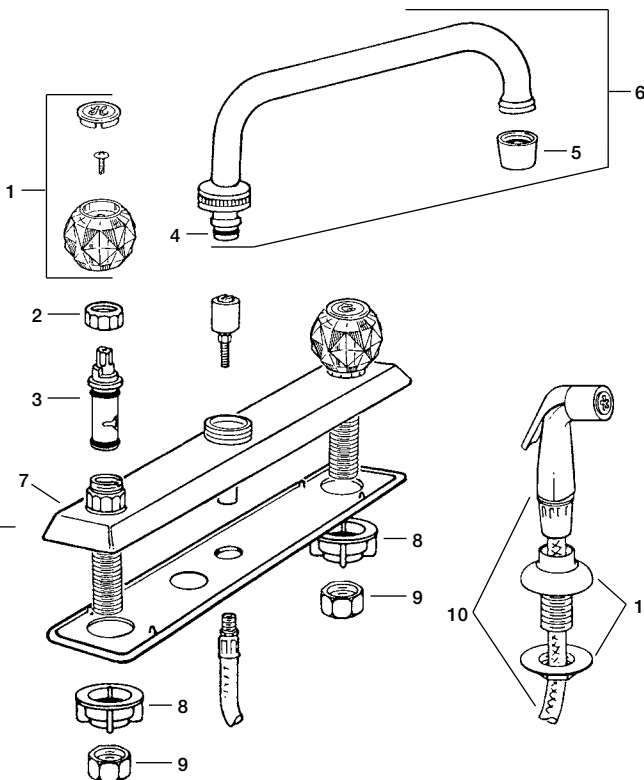
REPAIRS FOR

MOEN

KITCHEN DECK FAUCET

Series **Chateau**® 67920, 67930

Item No.	Stock No.	OEM Ref No.	Description
1	88062	13392	(1) Pair Knob Handles
2	17833B	92174	Cartridge Nut
3	18326B	1224	Replacement Cartridge
4	35728B	11982	O-Ring Kit
5	—	3924	Flo-Control Aerator
6	—	11981	8" Spout Assembly Kit
7	—	92183	Escutcheon
8	73113B	—	Locknut
9	—	—	Coupling Nut
10	—	13530	Spray Head & Hose Assembly
11	86948	1004	Spray Escutcheon & Locknut Assembly



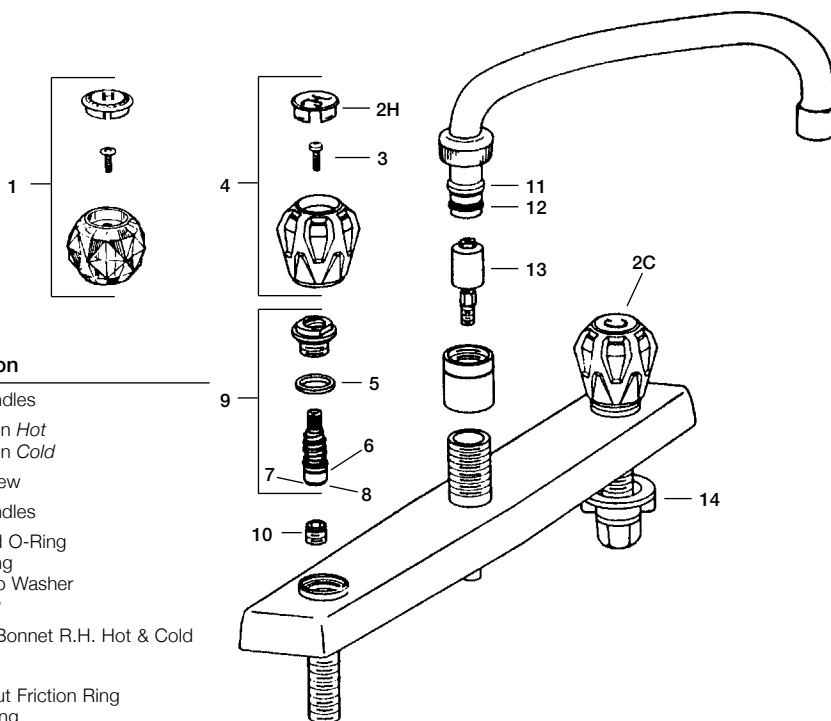
REPAIRS FOR

MOEN

KITCHEN FAUCET

Series **Chalet** 77900, 77901

Item No.	Stock No.	OEM Ref No.	Description
1	88062	—	(1) Pair Handles
2H	26005B	90166 (Kit)	Index Button <i>Hot</i>
2C	26006B	90166 (Kit)	Index Button <i>Cold</i>
3	35647B	90168	Handle Screw
4	—	90167	(1) Pair Handles
5	35784B	—	Cap Thread O-Ring
6	35725B	—	Stem O-Ring
7	35062B	—	00 Flat Bibb Washer
8	35141B	—	Bibb Screw
9	17451E	90169	Stem with Bonnet R.H. Hot & Cold
10	—	90171	Bibb Seat
11	—	—	Swing Spout Friction Ring
12	35728B	—	Spout O-Ring
13	—	90164	Spray Diverter
14	73113B	90172	Shank Locknut

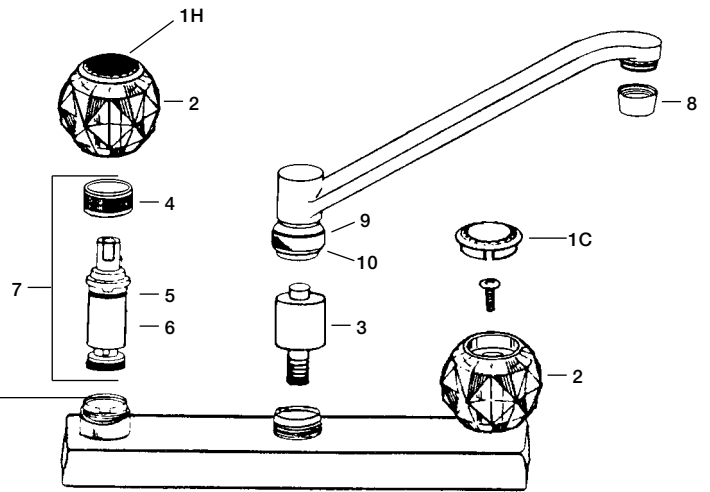


REPAIRS FOR

MOEN

KITCHEN FAUCET

Series **Chateau®/Stanadyne** 7900, 7910, 7930



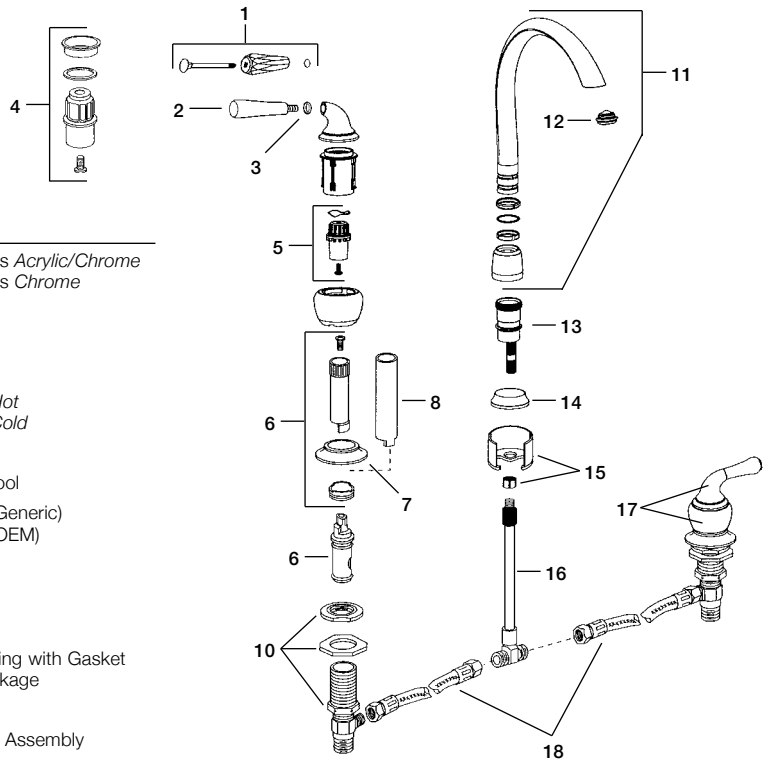
Item No.	Stock No.	OEM Ref No.	Description
1H	26005B	13382	Index Button <i>Hot</i>
1C	26006B	13382	Index Button <i>Cold</i>
	—	13382	(1) Pair Index Buttons <i>Hot & Cold</i>
2	88062	13392	(1) Pair Handles
3	—	92192	Spray Diverter
4	17833B	92174	Bonnet Cap
5	35728B	—	Cartridge O-Ring
6	18326B	1224	Stem with Bonnet R.H. Hot & Cold
7	—	—	Stem with Bonnet & Locknut R.H.Hot & Cold
8	10481	3924	15/16F Aerator
9	35733B	—	Upper Spout O-Ring
10	35758B	—	Lower Spout O-Ring
	80502	—	Kit of Upper and Lower Spout O-Rings

REPAIRS FOR

MOEN

KITCHEN FAUCET

Series **Monticello®** 7785, 87785



Item No.	Stock No.	OEM Ref No.	Description
1	—	97374	(1) Pair Handle Inserts <i>Acrylic/Chrome</i>
2	—	97557	(1) Pair Handle Inserts <i>Chrome</i>
3	—	97274	Handle Washer
4	—	97371	Handle Adapter Kit
5	—	100563	Handle Adapter Kit
6	—	97479	Stem Extension Kit <i>Hot</i>
	—	97478	Stem Extension Kit <i>Cold</i>
7	—	2198	Handle Escutcheon
8	—	14272	Cartridge Removal Tool
9	18326B	—	Cartridge <i>Hot/Cold</i> (Generic)
	—	1224	Cartridge <i>Hot/Cold</i> (OEM)
10	—	12715	Hardware Package
11	—	100009	Spout Assembly
12	10483	97476	15/16M Aerator
13	—	115010	Spout Body
14	—	94435	Spout Escutcheon Ring with Gasket
15	—	95041	Spout Hardware Package
16	—	106324	T-Connector
17	—	100558	Handle Hub & Elbow Assembly
18	—	14373	Supply Hose Kit

MONTECELLO is a registered Trademark of Moen

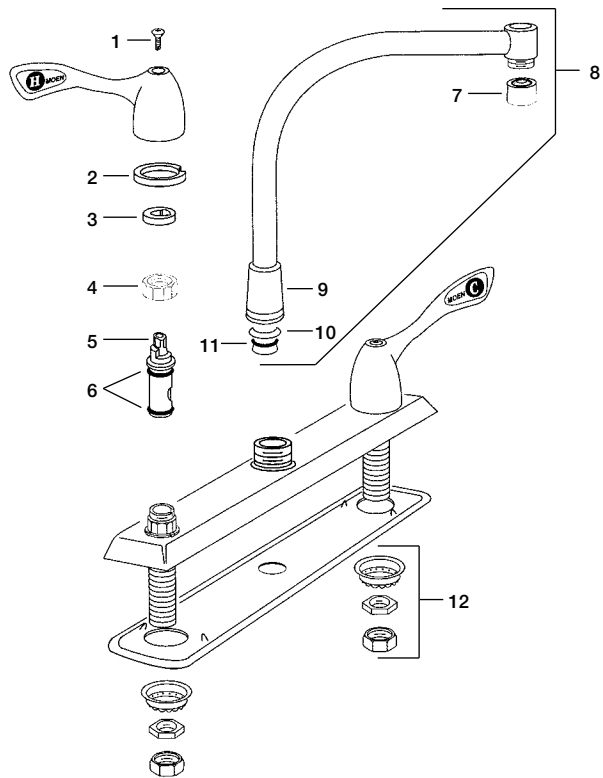
REPAIRS FOR

MOEN

KITCHEN FAUCET

Series **Sani-Stream®** 8799

Item No.	Stock No.	OEM Ref No.	Description
1	—	12536	Handle Screw
2	—	12522	Handle Stop
3	—	12523	Stem Support Bushing
4	—	91924	Cartridge Nut
5	18326B	1224	Stem with Bonnet RH Hot & Cold
6	35728B	—	Stem O-Ring 2 Required
7	10481	3924	15/16F Aerator
8	—	16264	Spout Assembly
9	—	1626	Spout Nut
10	—	101879	Spout Retaining Ring
11	35728B	11982	Spout O-Ring Kit
12	—	13805	Hardware Package



SANI-STREAM is a registered Trademark of Moen

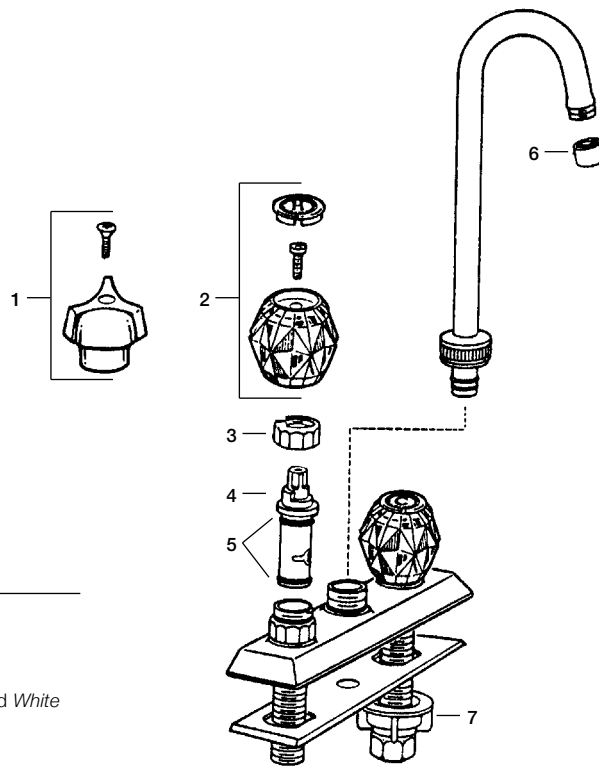
REPAIRS FOR

MOEN

BAR FAUCET

Models **Chateau** 4910, 4911, 4912, 4913, 4937

Item No.	Stock No.	OEM Ref No.	Description
1	—	92191	(1) Pair Handles
2	88062	13392	(1) Pair Handles
3	17833B	92174	Stem Locknut
4	18326B	1224	Stem with Bonnet R.H. Hot & Cold White
5	35728B	—	Stem O-Ring 2 Required
6	10476	15410	15/16 Dual Aerator
7	73113B	—	Shank Locknut

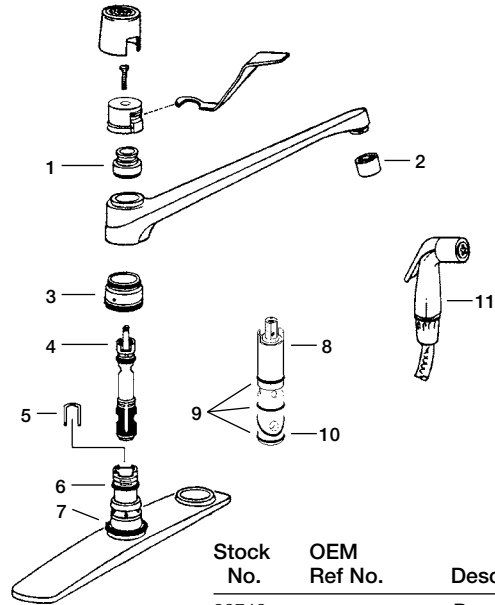


REPAIRS FOR

MOEN

KITCHEN FAUCET

Series Chateau® 67630, 67631



Item No.	Stock No.	OEM Ref No.	Description
1	30669	92309	Pivot Nut
2	10481	3924	15/16F Aerator
3	36221	91192	Spray Diverter
4	88431E	1225	Plastic Cartridge <i>Generic</i>
5	—	1883	Retainer Clip
6	35733B	311	Upper Spout O-Ring
7	35758B	—	Lower Spout O-Ring
8	80993TS	1200	Brass Cartridge <i>Generic</i>
9	35728B	—	Cartridge O-Ring 3 Required
10	35729B	—	Cartridge O-Ring
11	80762	422-4	Spray Head & Hose Assembly

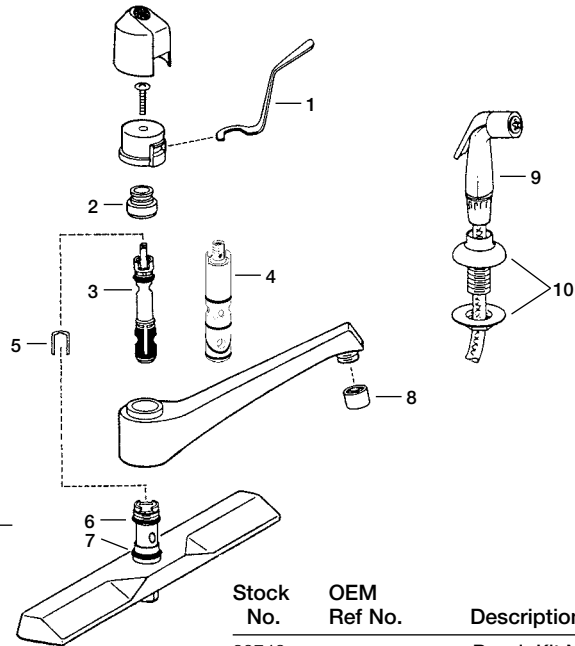
Stock No.	OEM Ref No.	Description
80746	—	Repair Kit No. 1201 Contains: (3) 35728 Cartridge O-Rings (1) 35729 Cartridge O-Ring
80502	—	Spout Repair Kit Contains: (2) 35733 O-Rings (1) 35758 O-Ring

REPAIRS FOR

MOEN

KITCHEN FAUCET

Series Chateau® 67650 thru 67653



Item No.	Stock No.	OEM Ref No.	Description
1	—	14492	Lever Handle
2	30669	92309	Pivot Nut
3	88431E	1225	Plastic Cartridge <i>Generic</i>
4	80993TS	1200	Brass Cartridge <i>Generic</i>
5	—	1883	Retainer Clip
6	35733B	311	Spout O-Ring (<i>Upper</i>)
7	35758B	219	Spout O-Ring (<i>Lower</i>)
8	10481	3924	15/16F Aerator
9	80762	11372	Spray Head & Hose Assembly
10	86948	1004	Spray Hose Guide

Stock No.	OEM Ref No.	Description
80746	—	Repair Kit No. 1201 Contains: (3) 35728 Cartridge O-Rings (1) 35729 Cartridge O-Ring
80502	—	Spout Repair Kit Contains: (2) 35733 O-Rings (1) 35758 O-Ring

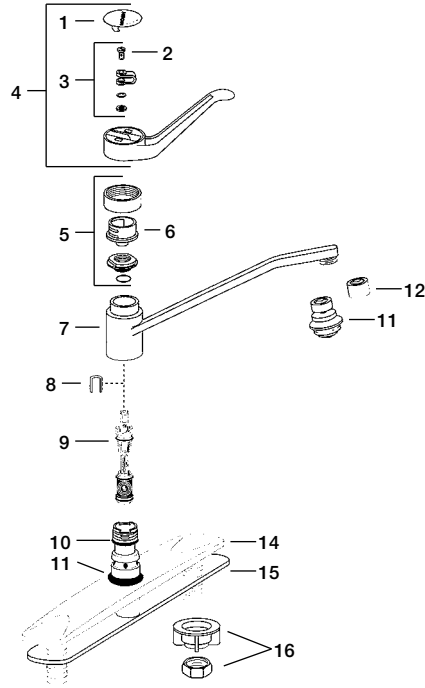
REPAIRS FOR

MOEN

KITCHEN FAUCET

Series Legend® 7200, 67200, 87500

Item No.	Stock No.	OEM Ref No.	Description
1	—	99712	Cap <i>Chrome</i>
2	35646B	99723	Handle Screw
3	—	101099	Connector Kit
4	—	99721	Handle Assembly <i>Chrome</i>
5	—	1694	Collar & Nut Kit <i>Chrome</i>
6	—	14699	Pivot Retainer
7	—	99719	9" Spout <i>Chrome</i>
8	—	1883	Retainer Clip
9	88431E	1225	Plastic Cartridge <i>Generic</i>
10	35733B	311	Upper Spout O-Ring
11	35758B	—	Lower Spout O-Ring
12	36070B	3924	15/16F Aerator
13	10501	20200	Swing 'N' Spray Aerator
14	—	13323	Escutcheon <i>Chrome</i>
15	—	98213	Deck Plate
16	—	13678	Hardware Package
Stock No.		OEM Ref No.	Description
80502		—	Spout Repair Kit
		<i>Contains:</i>	(2) 35733 O-Rings (1) 35758 O-Ring



LEGEND is a registered Trademark of Moen

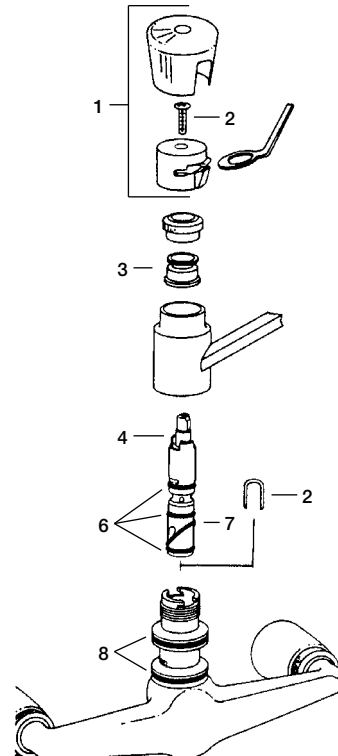
REPAIRS FOR

MOEN

KITCHEN FAUCET

Wall Mount Series 7400

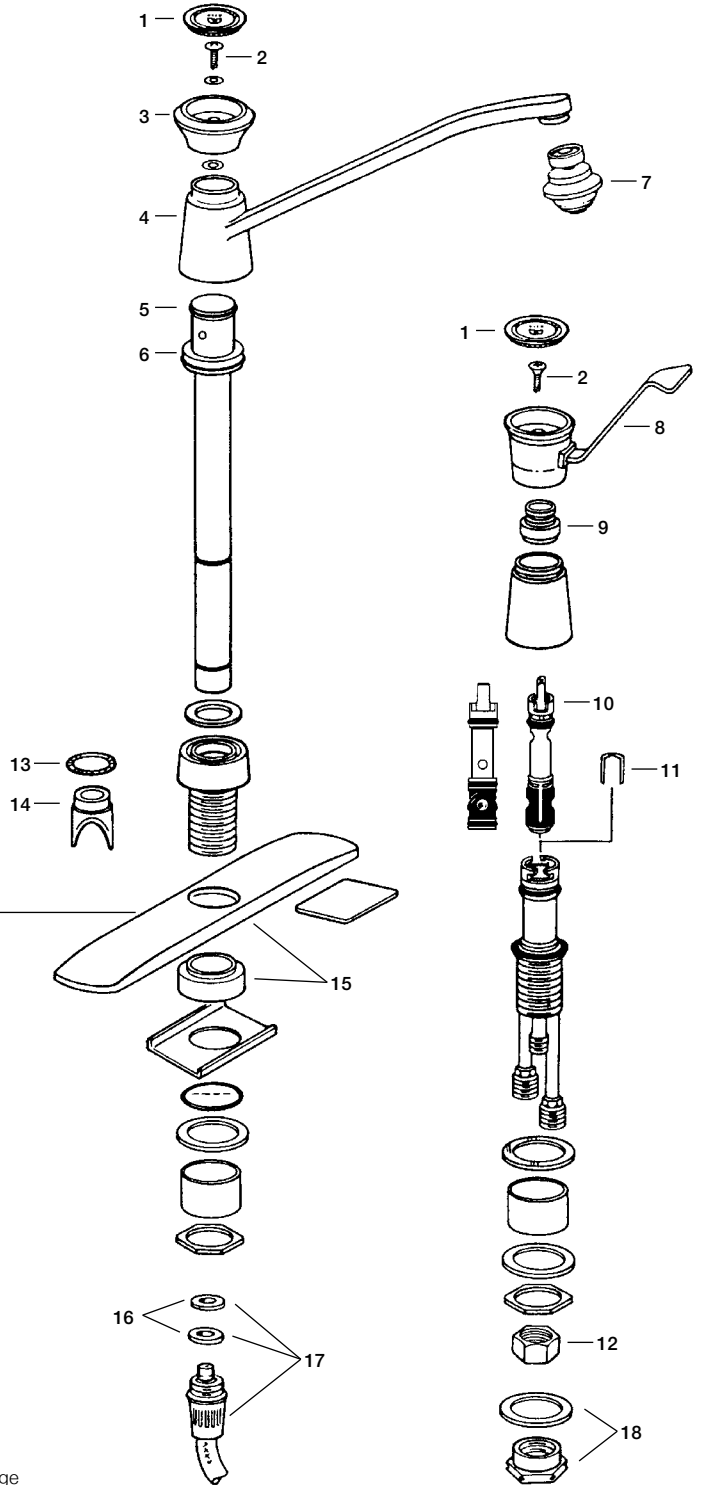
Item No.	Stock No.	OEM Ref No.	Description
1	88064	1202	Handle Cap Assembly less Lever
	—	10927	Handle Lever Only
2	35639B	1233	Handle Cap Screw
3	30669	92309	Retainer Pivot Nut
4	80993TS	1200	Brass Cartridge <i>Generic</i>
	88431E	1225	Plastic Cartridge <i>Generic</i>
5	—	1883	Retainer Clip
6	35728B	11	Cartridge O-Ring 3 Required
7	35729B	12	Cartridge O-Ring
8	35757B	818	Spout Seals 2 Required
Stock No.		OEM Ref No.	Description
80746		—	Repair Kit No. 1201
		<i>Contains:</i>	(3) 35728 Cartridge O-Rings (1) 35729 Cartridge O-Ring



MOEN

RISER KITCHEN DECK FAUCET

Series 7345



Item No.	Stock No.	OEM Ref No.	Description
1	—	14291	Handle Insert and Emblem
2	35639B	—	Handle Screw
3	—	14071	Spout Collar
4	—	91194	9" Spout Assembly Kit
5	35733B	—	Spout O-Ring (Upper)
6	35758B	—	Spout O-Ring (Lower)
7	10501	20200	Swing 'N' Spray Aerator
8	—	14290	Handle Assembly Kit
9	30669	92309	Pivot Nut
10	88431E	1225	Plastic Cartridge <i>Generic</i>
	80993TS	1200	Brass Cartridge <i>Generic</i>
	—	1200B	Brass Cartridge <i>OEM</i>
	80746	—	Cartridge O-Rings
11	—	1883	Retainer Clip
12	—	—	Coupling Nut
13	—	14187	Garter Spring
14	—	14192	Garter Spring Kit
15	—	13323	Escutcheon
16	—	14118	Hose Seal Kit
17	—	14101	Hose Assembly Kit
18	—	14049	Thick Deck Hardware Package
	—	14786	Hardware Package for Models Sold Before April 2001 <i>Not Illustrated</i>

Stock No.	OEM Ref No.	Description
80502	—	Spout Repair Kit
	<i>Contains:</i>	(2) 35733 O-Rings (1) 35758 O-Ring

REPAIRS FOR

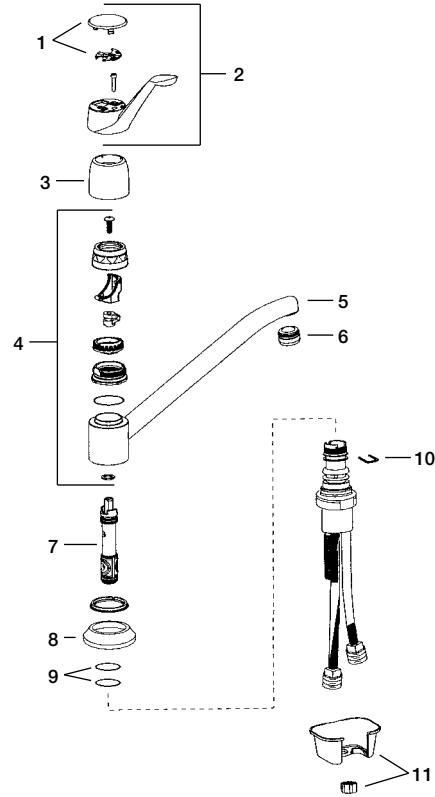
MOEN

KITCHEN FAUCET

Series Chateau® 7423

Item No.	Stock No.	OEM Ref No.	Description
1	—	100021	Cap & Temperature Indicator Kit
2	—	93989	Handle Assembly
3	—	93990	Dome
4	—	93980	Handle Mechanism Kit
5	—	93988	Spout Assembly
6	10483	3919	15/16M Aerator
7	88431E	1200P	Plastic Cartridge <i>Generic</i>
8	—	94435	Escutcheon Ring with Gasket
9	80502	117	Spout O-Ring Kit
10	—	1883	Retainer Clip
11	—	100736	Hardware Kit

CHATEAU is a registered Trademark of Moen



REPAIRS FOR

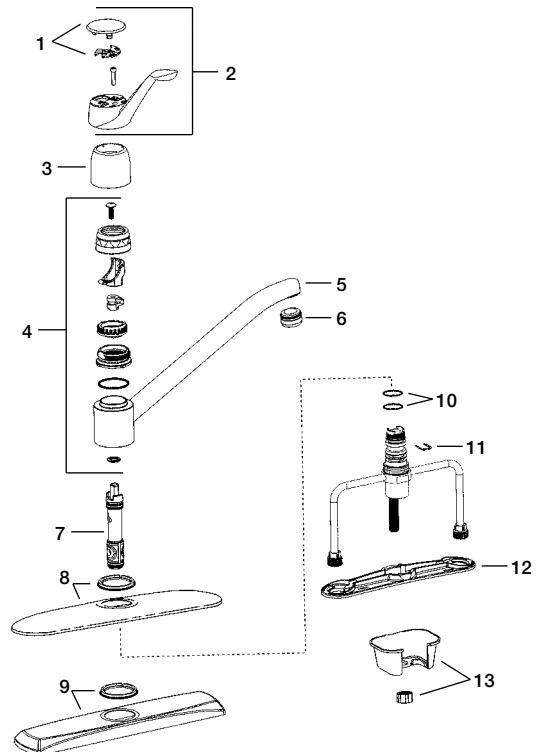
MOEN

KITCHEN FAUCET

Series Chateau® 7425, 67425, 87425

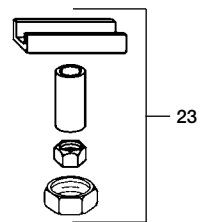
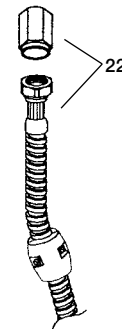
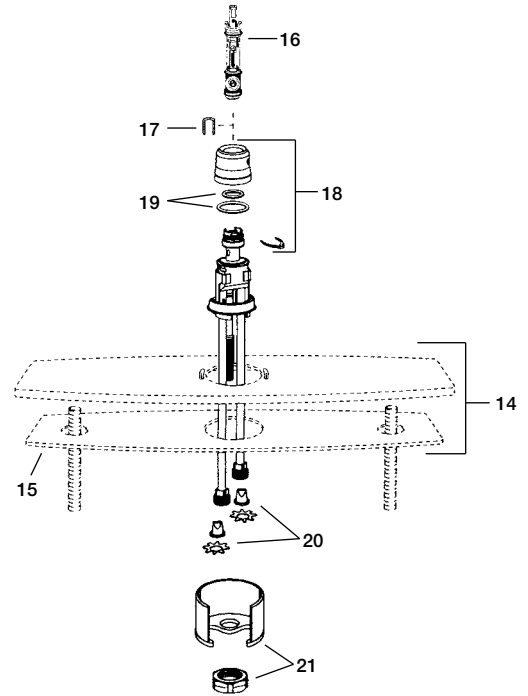
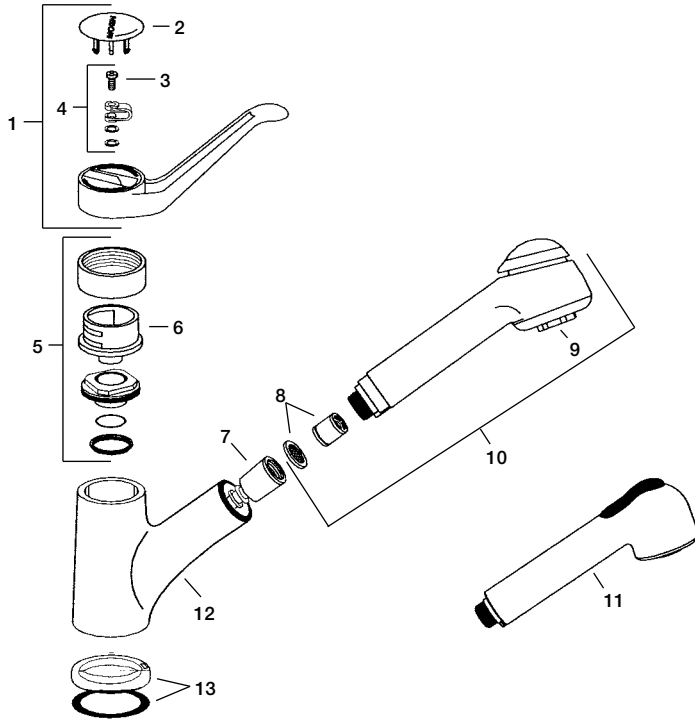
Item No.	Stock No.	OEM Ref No.	Description
1	—	100021	Cap & Temperature Indicator Kit
2	—	93989	Handle Assembly
3	—	93990	Dome
4	—	93980	Handle Mechanism Kit
5	—	93988	Spout Assembly
6	10483	3919	15/16M Aerator
7	88431E	1225	Plastic Cartridge <i>Generic</i>
8	—	93995	Escutcheon Kit
9	—	100264	Escutcheon Kit
10	80502	117	Spout O-Ring Kit
11	—	1883	Retainer Clip
12	—	93964	Support Plate with Gasket
13	—	93959	Hardware Kit

CHATEAU is a registered Trademark of Moen



ONE-TOUCH PULL-OUT KITCHEN FAUCET

Series 7385, 67385, 87540



Item No.	Stock No.	OEM Ref No.	Description
1	—	1921	Handle Assembly
2	—	1918	Handle Cap
3	35646B	99723	Handle Screw
4	—	101099	Connector Kit
5	—	101249	Collar & Nut Kit
6	—	14699	Pivot Retainer
7	—	101199	Screen Washer Kit
8	—	94873	Check Valve Kit
9	—	101257	Aerator Service Kit
10	—	103435	Spout & Check Valve Kit
11	10408 10415 — —	1927	Spout <i>Chrome</i> Spout <i>White</i> Spout <i>Sand</i> Spout <i>Ivory</i>
12	—	1931	Spout Receptor Kit
13	—	1933	Round Escutcheon & Gasket Kit
14	—	1935	Escutcheon Kit
15	—	98430	Gasket Kit
16	88431E	1200P	Plastic Cartridge <i>Generic</i>
17	—	1883	Retainer Clip
18	—	101707	Vacuum Breaker Hub Kit
19	80502	117	Hub O-Ring Kit
20	—	98414	Duckbill Kit
21	—	95041	Mounting Hardware
22	10339	109248	Hose Service Kit
23	—	785	Hardware Package

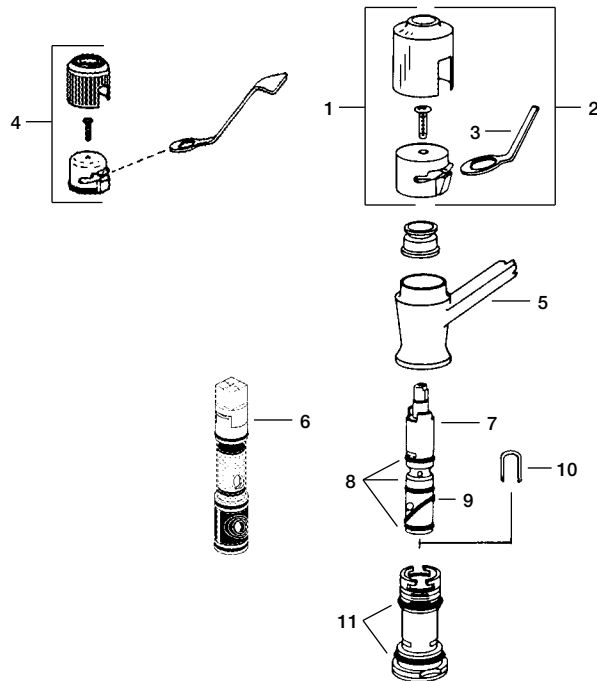
REPAIRS FOR

MOEN

KITCHEN FAUCET

Exposed Series 7500 thru 7526
 Series **Chateau**® 7530 thru 7536, 7551, 7556, 7821, 7823, 7831,
 7833, 7841, 7843, 7840A, 7841A, 7843A, 10930

Item No.	Stock No.	OEM Ref No.	Description
1	88064	12001	Handle Assembly less Lever
2	—	13098	Handle Assembly with Lever
3	—	10927	Handle Lever
4	—	96790	Handle Cap Assembly <i>Tear Drop Style</i>
5	—	2181	9" Spout
6	88431E	1225	Cartridge <i>Plastic</i>
7	80993TS	1200B	Cartridge <i>Brass</i>
8	35728B	11	Cartridge O-Ring 3 Required
9	35729B	12	Cartridge O-Ring
10	—	1883	Retainer Clip
11	35733B	137	Spout Seal 2 Required
	10481	—	15/16F Aerator <i>Not Illustrated</i>
Stock No.	OEM Ref No.	Description	
80502	—	Spout Repair Kit	
	<i>Contains:</i>	(2) 35733 O-Rings (1) 35758 O-Ring	



CHATEAU is a registered Trademark of Moen

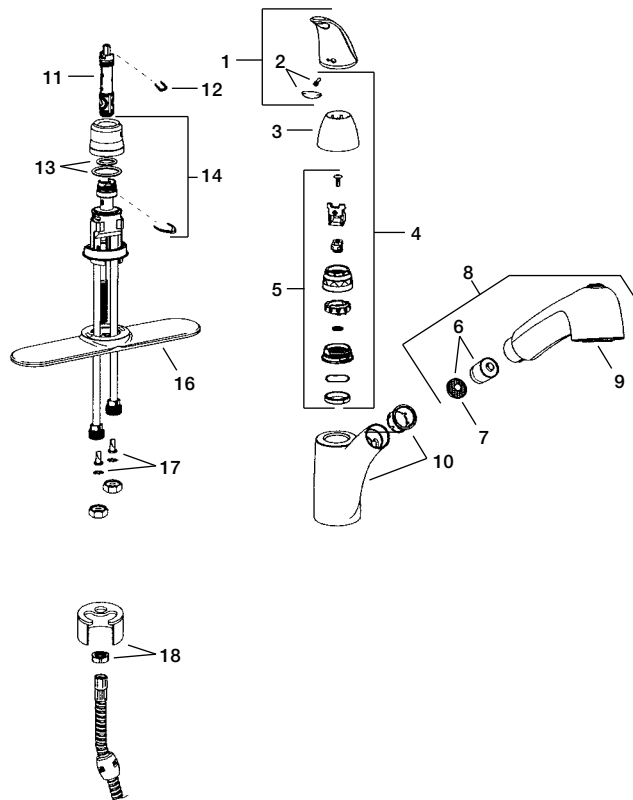
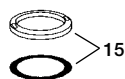
REPAIRS FOR

MOEN

PULL-OUT KITCHEN FAUCET

Series Extensa 7560, 87560

Item No.	Stock No.	OEM Ref No.	Description
1	—	100012	Handle Kit
2	—	100109	Plug Button Kit
3	—	100439	Dome Kit
4	—	100429	Adapter & Connection Kit
5	—	100440	Handle Hardware Kit
6	—	101274	Check Valve Kit
7	—	101199	Screen Washer Kit
8	—	101244	Pull-Out Spout Kit
9	—	101257	Aerator Kit
10	—	101246	Spout Receptor Kit
11	88431E	1225	Cartridge <i>Plastic</i>
12	—	1883	Retainer Clip
13	80502	117	Spout O-Ring Kit
14	—	101707	Vacuum Breaker Hub Kit
15	—	1933	Round Escutcheon & Gasket Kit
16	—	100433	Escutcheon & Gasket Kit
17	—	98414	Duckbill Kit
18	—	95041	Mounting Hardware

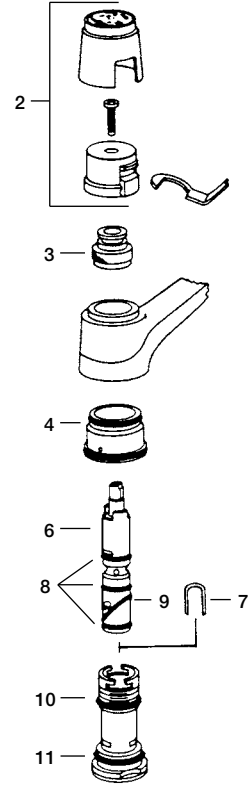
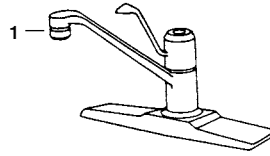


REPAIRS FOR

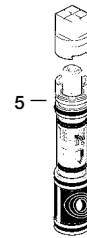
MOEN

KITCHEN FAUCET

Series **Chalet 7600**



Item No.	Stock No.	OEM Ref No.	Description
1	10481	—	15/16F Aerator
2	—	92493	Handle Cap Assembly
3	30669	92309	Retainer Pivot Nut
4	—	1589	Spray Diverter
5	88431E	1225	Plastic Cartridge <i>Generic</i>
6	80993TS	1200B	Cartridge <i>Brass</i>
7	—	1883	Cartridge Clip
8	35728B	—	Cartridge O-Ring 3 Required
9	35729B	—	Cartridge O-Ring
10	35733B	137	Upper Spout Seal
11	35758B	1308	Lower Spout Seal



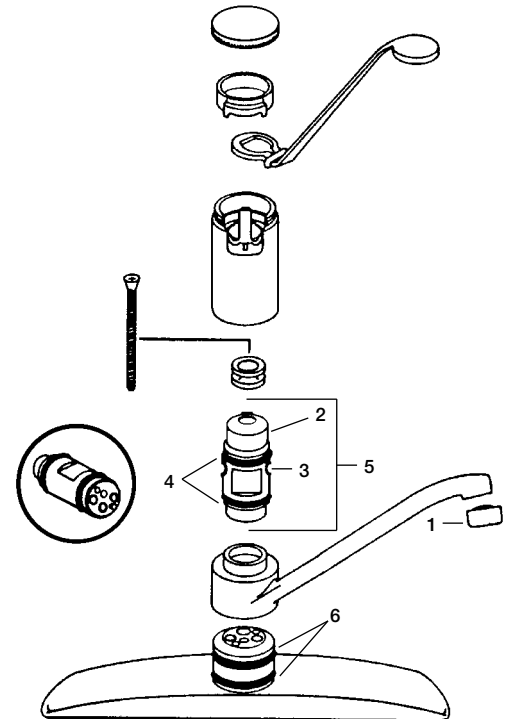
Stock No.	OEM Ref No.	Description
80746	—	Repair Kit No. 1201 <i>Contains:</i> (3) 35728 Cartridge O-Rings (1) 35729 Cartridge O-Ring
80502	—	Spout Repair Kit <i>Contains:</i> (2) 35733 O-Rings (1) 35758 O-Ring

REPAIRS FOR

MOEN

KITCHEN FAUCET

Deck Mount Series **Stanadyne Touch Control 87001, 87006, 87011**



Item No.	Stock No.	OEM Ref No.	Description
1	10481	10165	15/16F Aerator
2	—	11402	Cartridge Body Only
3	35711B	11016	Port Seals 2 Required
4	35776B	11027	End Seals 2 Required
5	80553	—	Cartridge Assembly
6	35748B	15617	O-Ring 2 Required
—	—	—	Port Seal <i>Not Illustrated</i>

Stock No.	OEM Ref No.	Description
80696	—	Cartridge Repair Kit <i>Contains:</i> O-Rings for All <i>Touch-Control</i> Cartridges

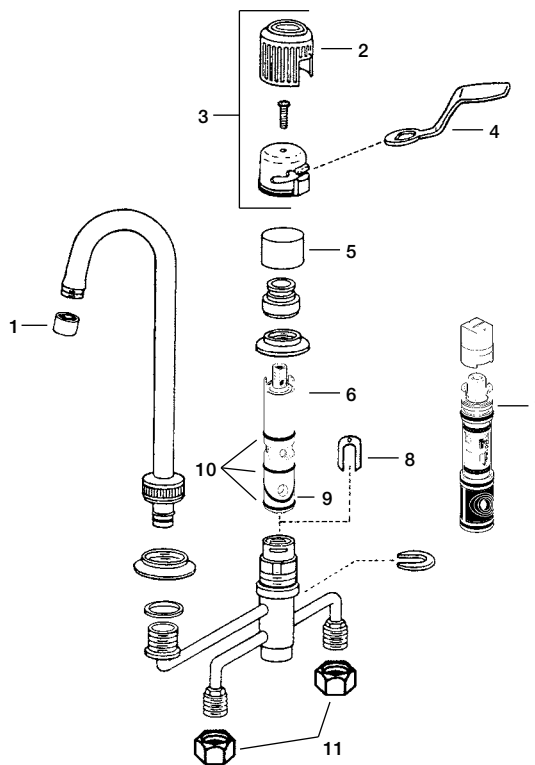
REPAIRS FOR

MOEN

BAR FAUCET

Series **Chateau**® 4901

Item No.	Stock No.	OEM Ref No.	Description
1	10481	100F	15/16F Aerator
2	—	96789	Cap & Emblem Assembly
	—	—	Black Emblem
	—	—	White Emblem
3	—	96790	Handle Assembly
4	—	96795	Lever Handle
5	—	1752	Retainer Valve Clip
6	80993TS	1200B	Cartridge <i>Brass</i>
7	88431E	1225	Plastic Cartridge <i>Generic</i>
8	—	1711	Retainer Clip
9	35729B	12	Cartridge O-Ring for Metal Cartridge
10	35728B	11	Cartridge O-Rings for Metal Cartridge
11	—	834	Union Nuts
	Stock No.	OEM Ref No.	Description
	80746	—	Repair Kit No. 1201
		<i>Contains:</i>	(3) 35728 Cartridge O-Rings
			(1) 35729 Cartridge O-Ring



CHATEAU is a registered Trademark of Moen

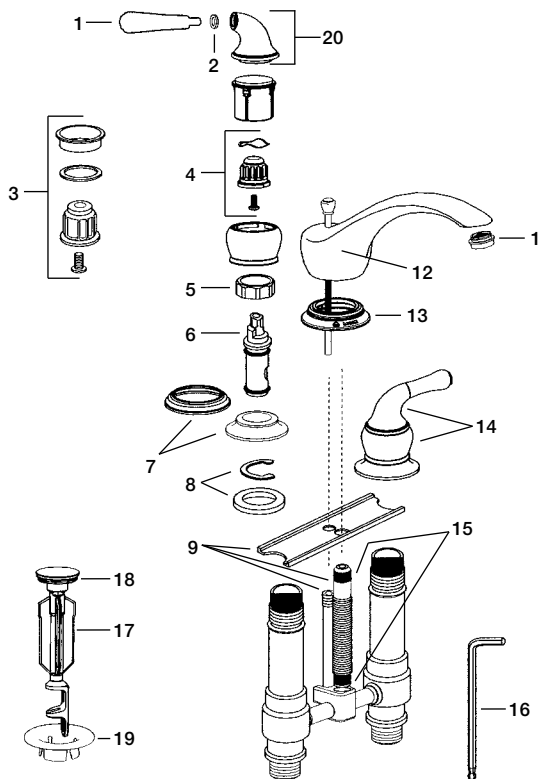
REPAIRS FOR

MOEN

LAVATORY FAUCET

Series **Monticello**® 4560, 84220, 84224, 84230, 84234

Item No.	Stock No.	OEM Ref No.	Description
1	—	97557	(1) Pair Lever Handle Inserts
2	—	97274	Washer Kit
3	—	97556	Handle Adapter Kit <i>Hot</i>
	—	97555	Handle Adapter Kit <i>Cold</i>
	88868	—	Handle Adapter Kit <i>Hot & Cold</i>
4	—	100561	Handle Adapter Kit <i>Hot</i>
	—	100560	Handle Adapter Kit <i>Cold</i>
5	—	97535	Cartridge Nut Kit
6	18326B	—	Cartridge <i>Hot & Cold</i>
7	—	103745	Escutcheon
8	—	103744	Escutcheon Clip & Washer
9	—	16331	Mounting Hardware
10	—	2011	Lift Rod Kit
11	10483	100113	15/16M Aerator
12	—	97540	Spout Kit
13	—	103461	Spout Escutcheon Kit
14	—	100553	Hub & Elbow Assembly <i>Hot</i>
	—	100552	Hub & Elbow Assembly <i>Cold</i>
15	—	97544	O-Ring Kit
16	—	103462	Allen Key
17	—	103459	Pop-Up Stopper
18	35743B	103460	O-Ring for Pop-Up Stopper
19	—	103458	Drain Seat
20	10536	—	PR Handles



MONTICELLO is a registered Trademark of Moen

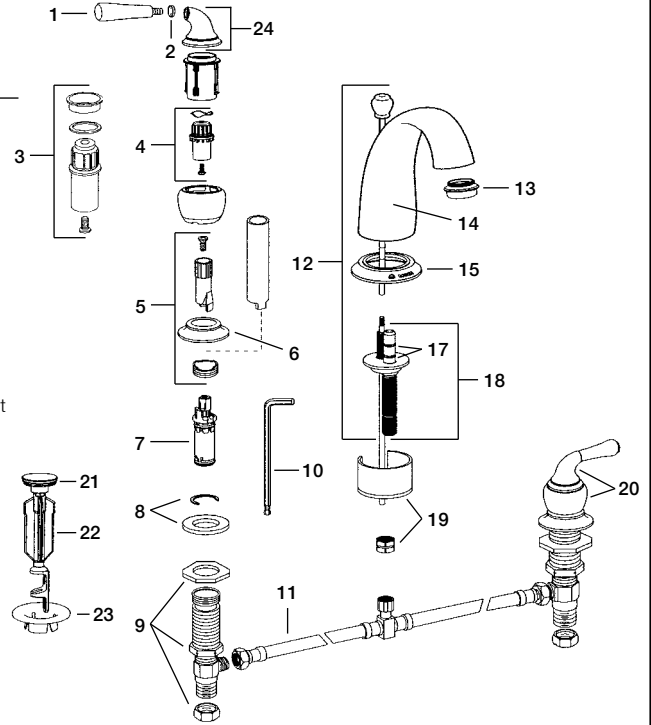
REPAIRS FOR

MOEN

LAVATORY FAUCET

Series Monticello® 4572

Item No.	Stock No.	OEM Ref No.	Description
1	—	97372	(1) Pair Lever Handle Inserts
2	—	97274	Washer Kit
3	—	103456	Handle Adapter Kit <i>Prior to 3/1/02</i>
4	—	100562	Handle Adapter Kit
5	—	97479	Stem Extension Kit <i>Hot</i>
	—	97478	Stem Extension Kit <i>Cold</i>
6	—	2198	Escutcheon
7	18326B	—	Cartridge <i>Hot & Cold</i>
8	—	103759	Mounting Hardware
9	—	12715	Hardware Package
10	—	103462	Allen Wrench
11	—	103469	Supply Hose Kit
12	—	103464	Upper & Lower Lift Rod, Strap & Knob Kit
13	10483	100113	15/16 M Aerator
14	—	104213	Spout Assembly Kit
15	—	103760	Escutcheon
16	—	103465	Set Screw
17	35723B	103466	O-Rings 2 Required
18	—	103467	Spout Shank Kit
19	—	100736	Hardware Kit
20	—	100556	Hub & Elbow Assembly
21	—	103459	Pop-Up Stopper
22	35743B	103460	O-Ring for Pop-Up Stopper
23	—	103458	Drain Seat
24	10536	—	PR Handles



MONTECELLO is a registered Trademark of Moen

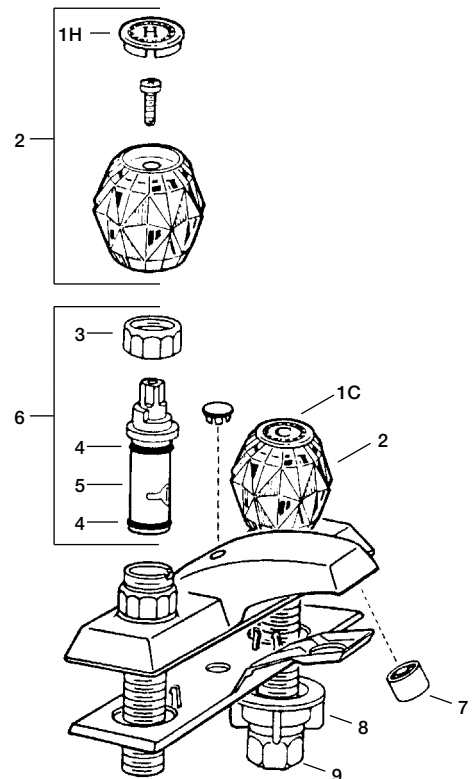
REPAIRS FOR

MOEN

LAVATORY FAUCET

Series Chateau®/Stanadyne, 4900, 4920, 4924

Item No.	Stock No.	OEM Ref No.	Description
1H	26005B	P9013	Index Button <i>Hot</i>
1C	26006B	P9014	Index Button <i>Cold</i>
2	88062	13392	(1) Pair Handles
3	17833B	92174	Bonnet Cap
4	35728B	—	Stem O-Rings 2 Required
5	18326B	1224	Stem with Bonnet RH Hot & Cold
6	—	1224	Stem with Bonnet & Cap RH Hot & Cold
7	10483	3919	15/16M Aerator
8	73113B	40	Faucet Locknut
9	—	—	Coupling Nut



CHATEAU is a registered Trademark of Moen

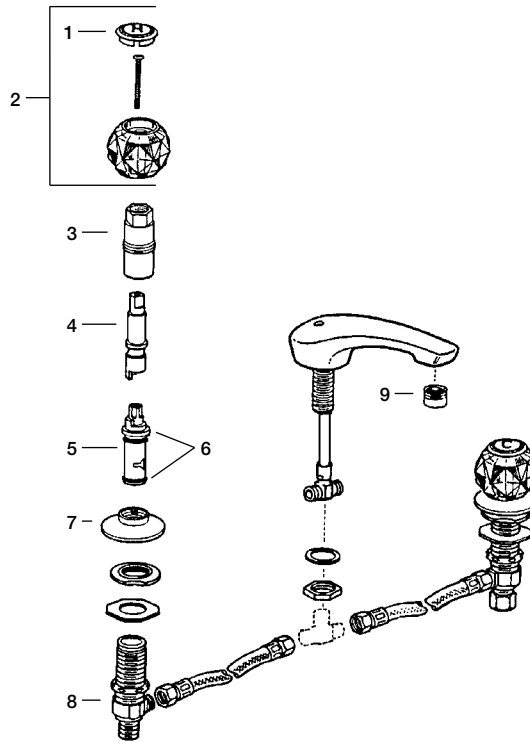
REPAIRS FOR

MOEN

WIDESPREAD LAVATORY FAUCET

Series **Chateau**® 4965, 4966, 74938, 74939, 74940

Item No.	Stock No.	OEM Ref No.	Description
1	—	13382	(1) Pair Index Buttons <i>Hot & Cold</i>
2	—	13394	(1) Pair Handle Assembly <i>Hot & Cold</i>
	—	13394	(1) Pair Handles <i>Hot & Cold</i>
3	—	13401	Cartridge Nut
4	18056	13599	(1) Pair Stem Extensions
5	18326B	1224	Stem with Bonnet R.H. Hot
6	35728B	11	Stem O-Rings 2 Required
9	10483	3919	15/16M Premium Aerator



CHATEAU is a registered Trademark of Moen

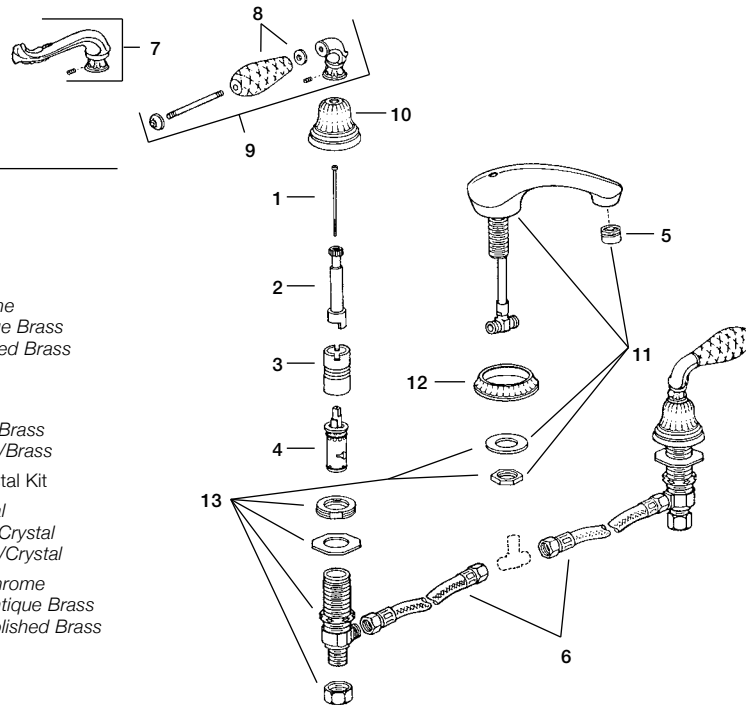
REPAIRS FOR

MOEN

WIDESPREAD LAVATORY FAUCET

Series **Boutique**

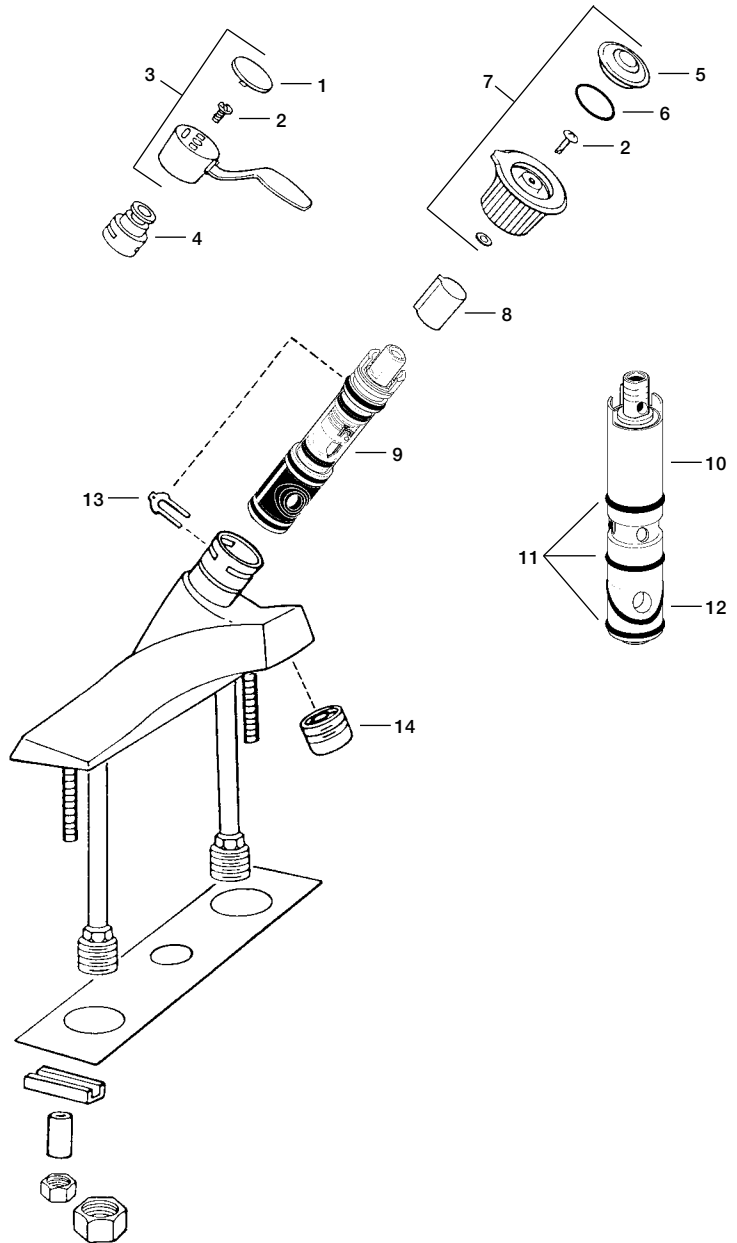
Item No.	Stock No.	OEM Ref No.	Description
1	—	90238	Stem Extension Screw
2	—	90162	Stem Extension
3	—	90293	(1) Pair Cartridge Nuts
4	18326B	1224	Replacement Cartridge
5	10483	3919	Flo-Control Aerator <i>Chrome</i>
	—	15503	Flo-Control Aerator <i>Antique Brass</i>
	10478	15008	Flo-Control Aerator <i>Polished Brass</i>
6	—	14373	Supply Hose Kit
7	—	91911	Handle Kit <i>Chrome/Brass</i>
	—	91912	Handle Kit <i>Antique Brass/Brass</i>
	—	91909	Handle Kit <i>Polished Brass/Brass</i>
8	—	90279	Replacement Handle Crystal Kit
9	—	91913	Handle Kit <i>Chrome/Crystal</i>
	—	91914	Handle Kit <i>Antique Brass/Crystal</i>
	—	91915	Handle Kit <i>Polished Brass/Crystal</i>
10	—	91916	Handle Escutcheon Kit <i>Chrome</i>
	—	91917	Handle Escutcheon Kit <i>Antique Brass</i>
	—	91918	Handle Escutcheon Kit <i>Polished Brass</i>
11	—	96479	Spout Kit <i>Chrome</i>
	—	96481	Spout Kit <i>Antique Brass</i>
	—	96478	Spout Kit <i>Polished Brass</i>
12	—	90267	Spout Escutcheon Kit <i>Chrome</i>
	—	90291	Spout Escutcheon Kit <i>Antique Bras</i>
	—	90292	Spout Escutcheon Kit <i>Polished Brass</i>
13	—	14371	Hardware Package



MOEN

LAVATORY FAUCET

Series 4200 thru 4320 with Knob Handles
4400 thru 4520 with Lever Handles



Item No.	Stock No.	OEM Ref No.	Description
1	—	1306	Handle Cover
2	35639B	96804	Handle Screw
3	—	1723	Lever Handle Assembly
4	—	1714	Grooved Sleeve
5	—		Knob Handle Index Button <i>Black & Silver</i>
6	35753B		Index Button O-Ring
7	89060	13092	Knob Handle Assembly with Black & Silver Button
8	—	1207	Stop Tube <i>Chrome</i>
9	88431E	1225	Plastic Cartridge <i>Generic</i>
10	80993TS	1200	Cartridge <i>Brass</i>
11	35728B	11	O-Ring 3 Required
12	35729B	12	Cartridge O-Ring
13	—	883	Cartridge Retainer Clip
	—	1711	Cartridge Retainer Clip
14	10483	34171.02	15/16M Premium Aerator

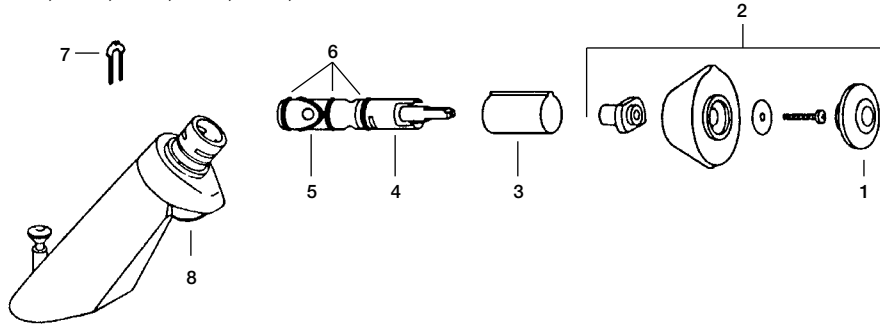
Stock No.	OEM Ref No.	Description
80746	—	Repair Kit No. 1201
Contains:		(3) 35728 Cartridge O-Rings (1) 35729 Cartridge O-Ring

REPAIRS FOR

MOEN

LAVATORY FAUCET

Series **Boutique** 4250, 4260, 4263, 4270, 4280, 4283, 4294, 4296, 4297



Item No.	Stock No.	OEM Ref No.	Description
1	88407	—	Handle Button
2	89060	13092	Handle Assembly
3	—	1207	Stop Tube
4	80993TS 88431E	1200 1200P	Cartridge <i>Brass</i> Plastic Cartridge (Generic)
5	35729B	12	Cartridge O-Ring
6	35728B	11	Stem O-Rings 3 Required
7	—	883	Cartridge Retainer Clip
8	10483	—	15/16M Aerator

Stock No.	OEM Ref No.	Description
80746	—	Repair Kit No. 1201
	Contains:	(3) 35728 Cartridge O-Rings (1) 35729 Cartridge O-Ring

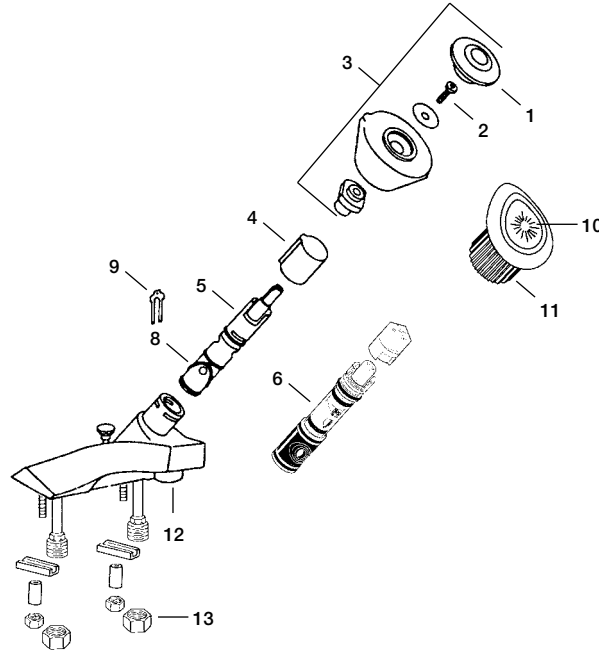
NOTE: Bushing now molded with handle as one piece

REPAIRS FOR

MOEN

LAVATORY FAUCET

Series **Chateau**® 4334 thru 4339, 626221, 62625
73600 thru 74626 with Round Handle
4600 with Tear Drop Handle



Item No.	Stock No.	OEM Ref No.	Description
1	—	91751	Knob Insert Cap <i>Chrome</i>
	—	91754	Knob Insert Cap <i>Satin/Polished Brass</i>
	—	—	Handle Button <i>Old Style</i>
2	35639B	—	Handle Screw
3	88066	13092	Handle Assembly (Round) <i>Clear Acrylic</i>
	—	96791	Handle Assembly (Round) <i>Chrome</i>
4	—	1207	Stop Tube
5	80993TS	1200	Cartridge <i>Brass</i>
6	88431E	1225	Plastic Cartridge <i>Generic</i>
7	35728B	11	Stem O-Rings 3 Required
8	35729B	12	Cartridge O-Ring
9	—	883	Cartridge Retainer Clip
10	10303	96791	Handle Assembly (Teardrop)
11	88406	96794	Handle Index Button (Teardrop)
12	10483	2M	15/16M Aerator
	10478	15008	Flo-Control Aerator <i>Polished Brass</i>
13	—	—	Coupling Nut

Stock No.	OEM Ref No.	Description
80746	—	Repair Kit No. 1201
	Contains:	(3) 35728 Cartridge O-Rings (1) 35729 Cartridge O-Ring

CHATEAU is a registered Trademark of Moen

REPAIRS FOR

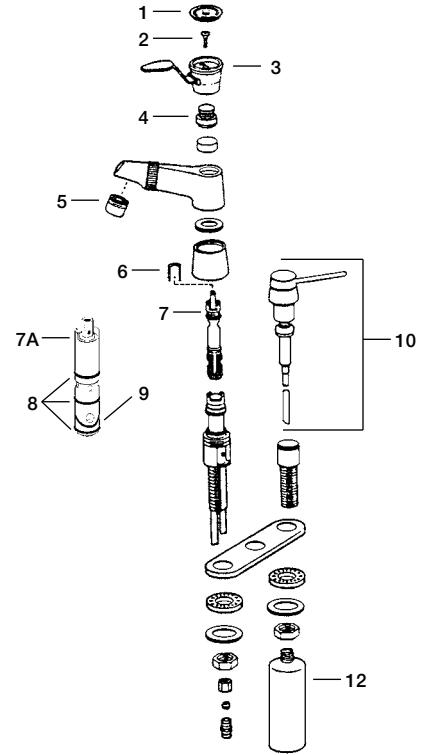
MOEN

LAVATORY FAUCET

Series **Legend Fountain-Flo 4535**

Item No.	Stock No.	OEM Ref No.	Description
1	—	96491	Handle Cover Insert
2	35639B	1233	Handle Screw
3	—	96432	Handle Assembly
4	30669	92309	Pivot Nut
5	10483	200M	15/16M Premium Aerator
6	—	1883	Cartridge Retainer Clip
7	88431E	1225	Plastic Cartridge <i>Generic</i>
7A	80993TS	1200	Cartridge <i>Brass</i>
8	35728B	—	Cartridge O-Rings for Metal Cartridge 3 Required
9	35729B	—	Cartridge O-Ring for Metal Cartridge
10	—	96469	Pump & Nozzle Assembly for Dispenser Bottle
11	—	10048	Liquid Dispenser Bottle

Stock No.	OEM Ref No.	Description
80746	—	Repair Kit No. 1201
	<i>Contains:</i>	(3) 35728 Cartridge O-Rings (1) 35729 Cartridge O-Ring



REPAIRS FOR

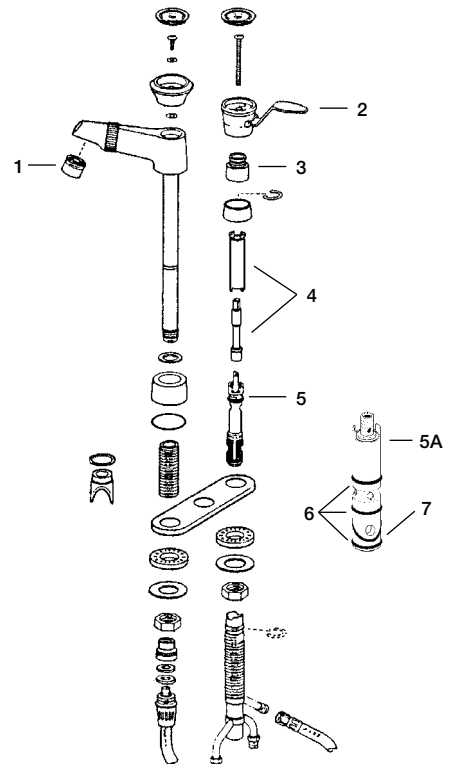
MOEN

LAVATORY FAUCET

Model **Legend Single Riser 4545**

Item No.	Stock No.	OEM Ref No.	Description
1	10483	200M	15/16M Aerator
2	—	96492	Handle Assembly
3	—	96414	Pivot Nut
4	—	96381	Stem & Cartridge Extension Kit
5	88431E	1225	Plastic Cartridge <i>Generic</i>
5A	80993TS	1200	Cartridge <i>Brass</i>
6	35728B	—	Cartridge O-Rings for Metal Cartridge 3 Required
7	35729B	—	Cartridge O-Ring for Metal Cartridge

Stock No.	OEM Ref No.	Description
80746	—	Repair Kit No. 1201
	<i>Contains:</i>	(3) 35728 Cartridge O-Rings (1) 35729 Cartridge O-Ring



REPAIRS FOR

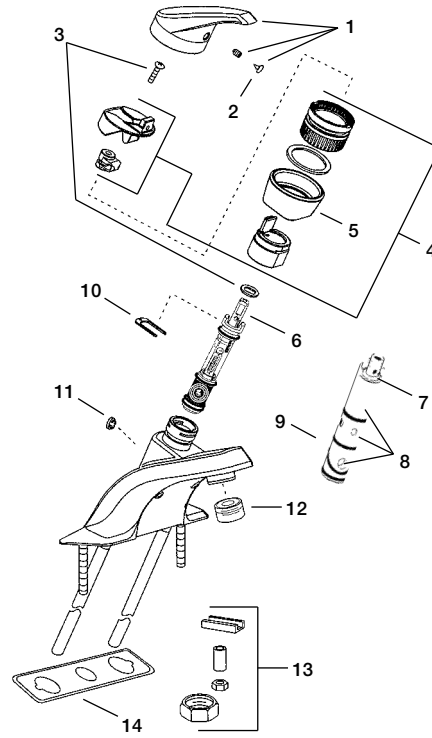
MOEN

LAVATORY FAUCET

Series **Chateau**® L4621, L4625

Item No.	Stock No.	OEM Ref No.	Description
1	—	94740	Handle Kit <i>Chrome</i>
2	—	94770	Handle Plug Button
3	—	96804	Handle Hardware Package
4	—	101310	Lever Mechanism Kit
5	—	94750	Transition Collar
6	88431E	1225	Plastic Cartridge <i>Generic</i>
7	80993TS	1200	Cartridge <i>Brass</i>
8	35728B	—	Cartridge O-Rings for Metal Cartridge 3 Required
9	35729B	—	Cartridge O-Ring for Metal Cartridge
10	—	1711	Cartridge Retainer Clip
11	—	10116	Escutcheon Plug Button
12	10483	200M	15/16M Aerator
13	—	785	Hardware Package
14	—	98214	Deck Gasket

Stock No.	OEM Ref No.	Description
80746	—	Repair Kit No. 1201
	<i>Contains:</i>	(3) 35728 Cartridge O-Rings (1) 35729 Cartridge O-Ring



CHATEAU is a registered Trademark of Moen

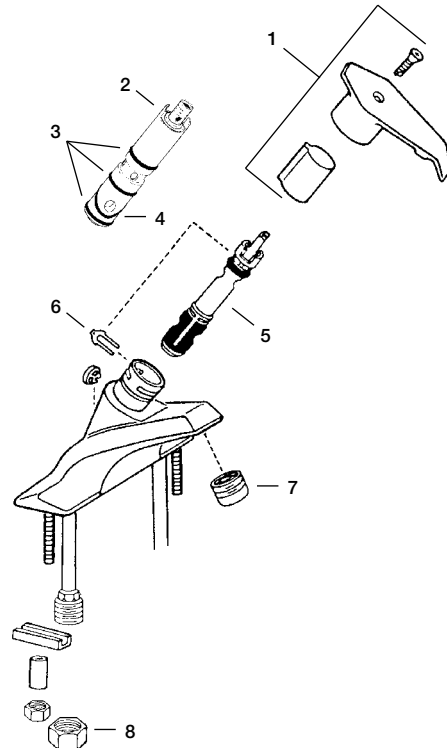
REPAIRS FOR

MOEN

LAVATORY FAUCET

Series **Chateau**® 4675, 4676, 4695, 4696

Item No.	Stock No.	OEM Ref No.	Description
1	—	13393	Lever Handle Assembly
2	80993TS	1200	Cartridge <i>Brass</i>
3	35728B	—	Cartridge O-Rings for Metal Cartridge 3 Required
4	35729B	—	Cartridge O-Ring for Metal Cartridge
5	88431E	1225	Plastic Cartridge <i>Generic</i>
6	—	883	Cartridge Retainer Clip
7	10483	200M	15/16M Aerator
8	—	—	Coupling Nut



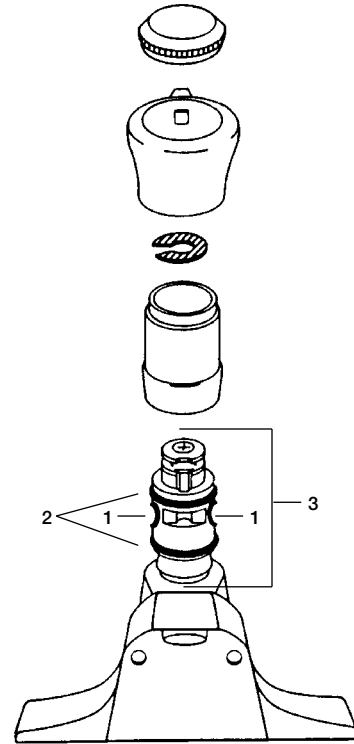
CHATEAU is a registered Trademark of Moen

REPAIRS FOR

MOEN

LAVATORY FAUCET

Series **Stanadyne Touch Control** 84001, 84021



Item No.	Stock No.	OEM Ref No.	Description
1	35711B	11016	Port Seals 2 Required
2	35776B	11027	End Seals 2 Required
3	80553	—	Cartridge Assembly with O-Rings & Seal

Stock No.	OEM Ref No.	Description
80696	—	Cartridge Repair Kit
Contains:		O-Rings for All <i>Touch-Control</i> Cartridges

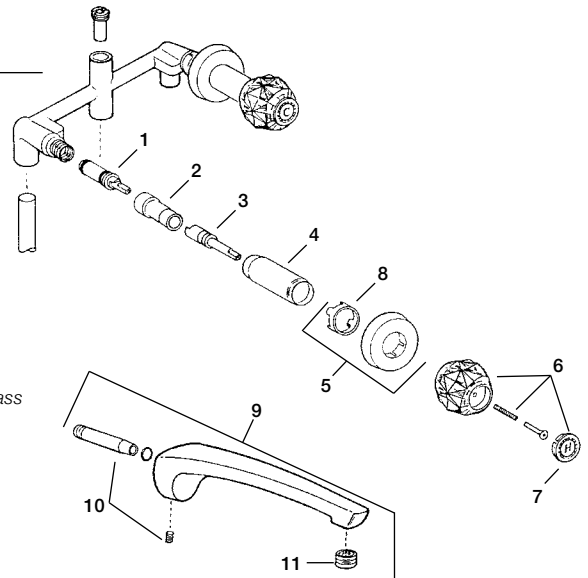
REPAIRS FOR

MOEN

WALL-MOUNT ROMAN TUB FILLER

Series **Chateau®**

Item No.	Stock No.	OEM Ref No.	Description
1	18326B	1224	Replacement Cartridge
2	—	13797	Cartridge Nut
3	18056	13563	Stem Extension
4	—	13774	Cover Tube Kit <i>Chrome</i>
	—	93488	Cover Tube Kit <i>Polished Brass</i>
	—	93477	Cover Tube Kit <i>Antique Brass</i>
5	—	13769	Escutcheon Kit <i>Chrome</i>
	—	91252	Escutcheon Kit <i>Polished Brass</i>
	—	12838	Escutcheon Kit <i>Antique Brass</i>
6	—	13394	Knob Handle Assembly <i>Chrome</i>
	—	—	(1) Pair Knob Handle Assemblies <i>Chrome</i>
	—	13403	Knob Handle Assembly <i>Polished Brass</i>
	—	—	(1) Pair Knob Handle Assemblies <i>Polished Brass</i>
	—	13398	Knob Handle Assembly <i>Antique Brass</i>
7	—	13382	Knob Insert Kit <i>Chrome</i>
	—	13383	Knob Insert Kit <i>Polished Brass</i>
	—	13384	Knob Handle Insert Kit <i>Antique Brass</i>
8	—	14429	Escutcheon Retainer
9	—	93975	Spout Assembly Kit <i>Chrome</i>
	—	92977	Spout Assembly Kit <i>Antique Brass</i>
	—	93978	Spout Assembly Kit <i>Polished Brass</i>
10	—	91084	Hardware Package
11	—	14913	Stream Straightener <i>Chrome</i>
	—	14914	Stream Straightener <i>Antique Brass</i>
	—	14915	Stream Straightener <i>Polished Brass</i>



CHATEAU is a registered Trademark of Moen

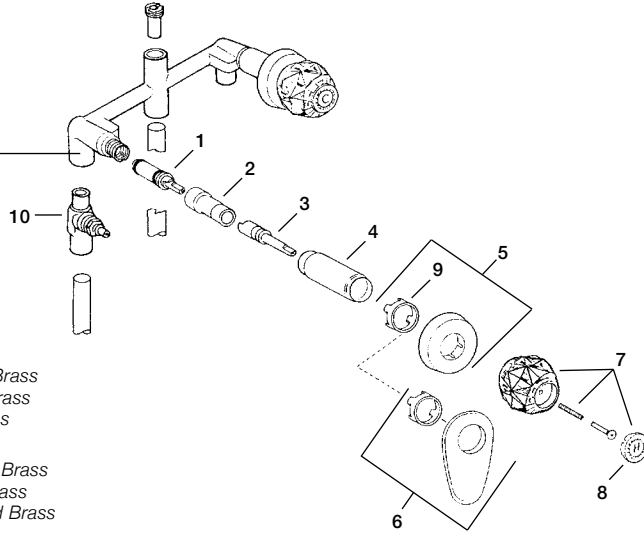
REPAIRS FOR

MOEN

SHOWER FIXTURE

Series **Chateau**® 2900, 2901, 2905, 2912, 2919, 2976, 2977, 2979, 2981, 2982

Item No.	Stock No.	OEM Ref No.	Description
1	18326B	—	Cartridge <i>Hot/Cold</i>
2	—	13797	Cartridge Nut
3	18056	13563	Stem Extension
4	—	13774	Cover Tube Kit <i>Chrome</i>
	—	93488	Cover Tube Kit <i>Polished Brass</i>
	—	93477	Cover Tube Kit <i>Antique Brass</i>
	—	93472	Cover Tube Kit <i>Satin Brass</i>
5	—	13769	Escutcheon Kit (Round) <i>Chrome</i>
	—	91252	Escutcheon Kit (Round) <i>Polished Brass</i>
	—	12838	Escutcheon Kit (Round) <i>Antique Brass</i>
	—	12741	Escutcheon Kit (Round) <i>Satin Brass</i>
6	—	13533	Escutcheon Kit (Teardrop) <i>Chrome</i>
	—	13496	Escutcheon Kit (Teardrop) <i>Antique Brass</i>
	—	13492	Escutcheon Kit (Teardrop) <i>Satin Brass</i>
	—	13489	Escutcheon Kit (Teardrop) <i>Polished Brass</i>
7	—	13394	Knob Handle Assembly <i>Chrome</i>
	—	—	(1) Pair Knob Handle Assemblies <i>Chrome</i>
8	—	13382	Knob Insert Kit
9	—	14429	Escutcheon Retainer
10	—	12318	Stop Valve Assembly



CHATEAU is a registered Trademark of Moen

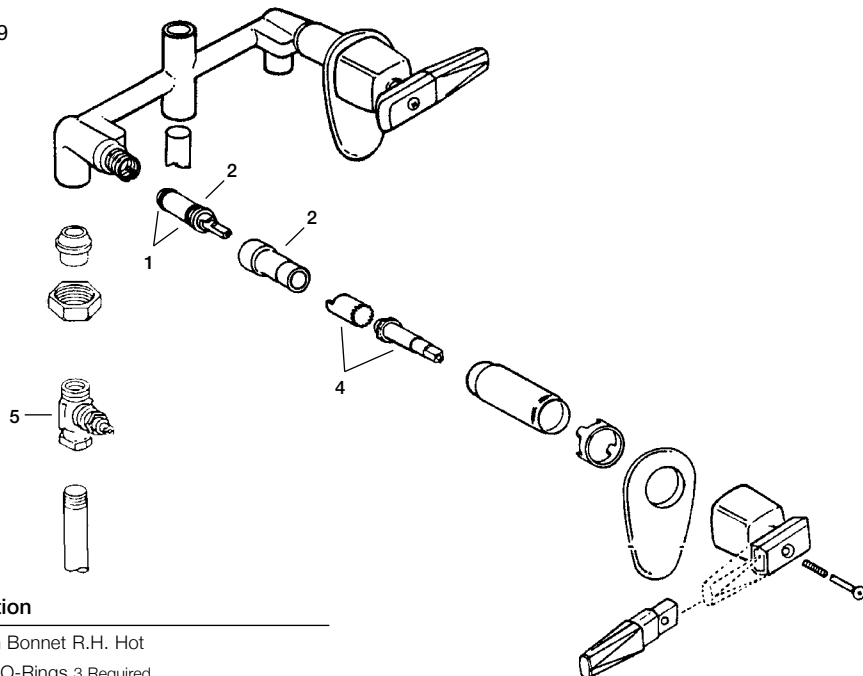
REPAIRS FOR

MOEN

SHOWER FIXTURE

Series 2903, 2904, 2906, 2907, 2908, 2909
2923, 2924, 2926, 2929, 2930, 2931, 2939

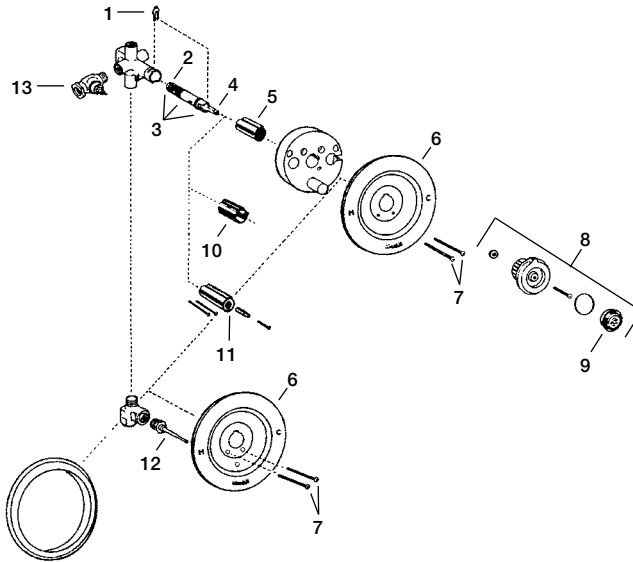
Item No.	Stock No.	OEM Ref No.	Description
1	18326B	—	Stem with Bonnet R.H. Hot
2	35728B	—	Cartridge O-Rings 3 Required
3	—	13401	Cartridge Nut
4	18056	13563	Stem Extension
5	—	400421	Stop Valve Assembly



MOEN

BATH FIXTURE

Series Legend 2200, 2400

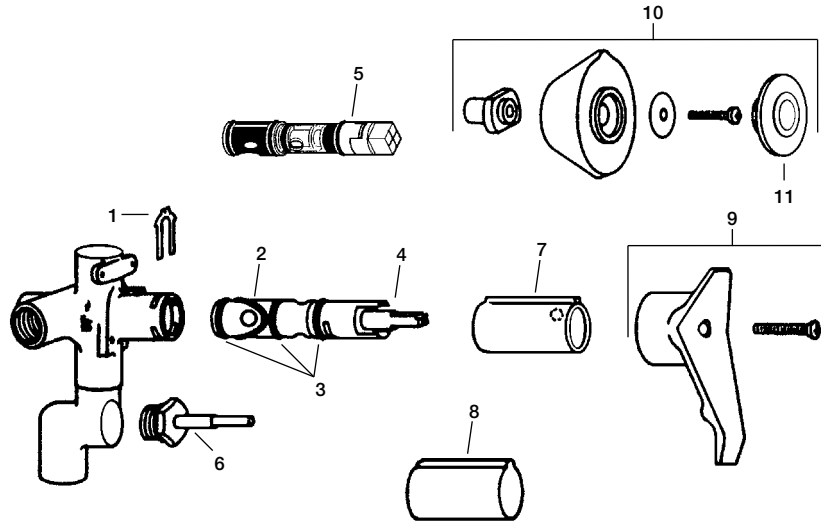


Item No.	Stock No.	OEM Ref No.	Description	Stock No.	OEM Ref No.	Description
1	—	883	Cartridge Retainer Clip	10001	—	Chrome Trim Kit
2	35729B	12	O-Ring		Contains:	Acrylic Handle
3	35728B	—	Cartridge O-Ring 3 Required			Metal Handle
4	80993TS 88431E	1200 1225	Cartridge <i>Brass</i> Cartridge <i>Plastic</i>			Escutcheon
5	28364	10089	Stop Tube			Escutcheon Tube
6	—	13106	Escutcheon Plate for 2200 Series			Adapters
	—	13107	Escutcheon Plate for 2400 Series			Screws
7	—	15528	Escutcheon Screws 2 Required	10002	—	Brushed Nickel Trim Kit
8	—	—	Handle Button		Contains:	Acrylic Handle
	—	—	Handle Button			Metal Handle
9	—	13094	Handle Assembly (<i>bagged</i>)			Escutcheon
	89060	13094	Handle Assembly (<i>carded</i>)			Escutcheon Tube
10	—	10510	Adjustable Temperature Limiting Stop			Adapters
11	—	10399	1" Handle Extension Kit			Screws
12	—	1198	Push Button Diverter Assembly	10561	—	Oil Rubbed Bronze Trim Kit
13	—	12318	Stop Valve Assembly		Contains:	Acrylic Handle
						Metal Handle
						Escutcheon
						Escutcheon Tube
						Adapters
						Screws
				80746	—	Repair Kit No. 1201
					Contains:	(3) 35728 Cartridge O-Rings
						(1) 35729 Cartridge O-Ring

MOEN

BATH FIXTURE

Series **Decorator** 2200, 2400, 72200

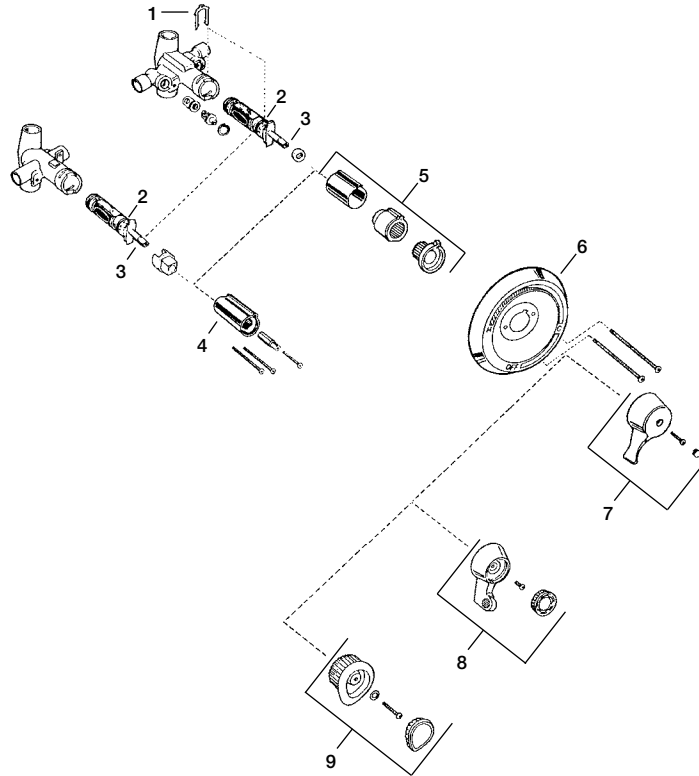


Item No.	Stock No.	OEM Ref No.	Description	Stock No.	OEM Ref No.	Description
				10001	—	Chrome Trim Kit
					<i>Contains:</i>	Acrylic Handle Metal Handle Escutcheon Escutcheon Tube Adapters Screws
				10002	—	Brushed Nickel Trim Kit
					<i>Contains:</i>	Acrylic Handle Metal Handle Escutcheon Escutcheon Tube Adapters Screws
				10561	—	Oil Rubbed Bronze Trim Kit
					<i>Contains:</i>	Acrylic Handle Metal Handle Escutcheon Escutcheon Tube Adapters Screws
				80746	—	Repair Kit No. 1201
					<i>Contains:</i>	(3) 35728 Cartridge O-Rings (1) 35729 Cartridge O-Ring
1	—	883	Cartridge Retainer Clip			
2	35729B	12	O-Ring			
3	35728B	—	Cartridge O-Ring 3 Required			
4	80993TS	1200	Cartridge <i>Brass</i>			
5	88431E	1225	Cartridge <i>Plastic</i>			
6	—	1198	Automatic Diverter Assembly			
7	—	10510	Limiting Stop			
8	28364	10089	Stop Tube			
9	—	—	Lever Handle Assembly			
10	89060	13094	Knob Handle Assembly			
11	—	—	Knob Handle Button			

MOEN

BATH FIXTURE

Series Posi-Temp® 2320, 2325, 2339, 2370, 2375, 2389



Item No.	Stock No.	OEM Ref No.	Description
1	30923	96914	Cartridge Retainer Clip
2	35771B	57	O-Ring
3	88675	96983	Cartridge
4	—	96945	1" Handle Extension Kit
5	—	96987	Stop & Tube Kit
6	—	96885	Escutcheon
7	—	14732	Lever Handle Kit
8	—	9685	Old Style Handle Insert Kit
9	10302	96884	Knob Handle Kit

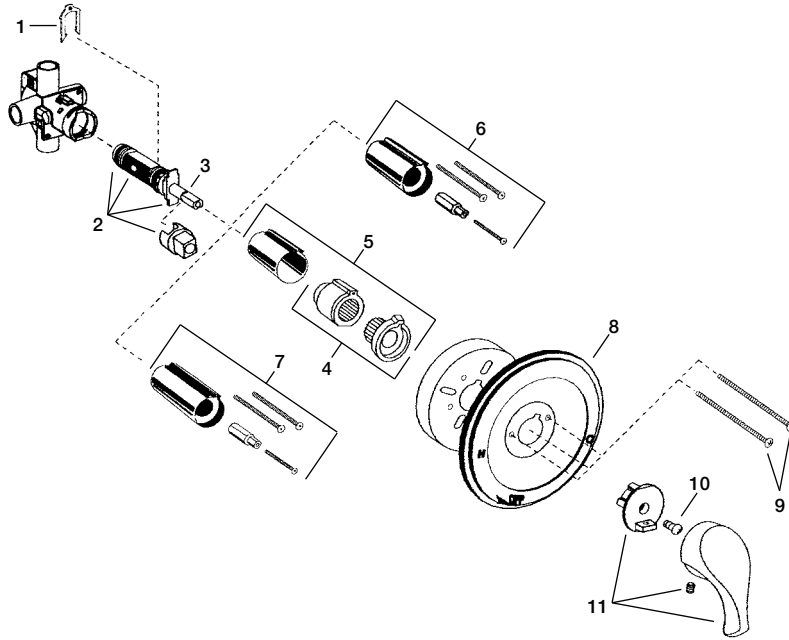
Stock No.	OEM Ref No.	Description
10001	—	Chrome Trim Kit
	<i>Contains:</i>	Acrylic Handle Metal Handle Escutcheon Escutcheon Tube Adapters Screws
10002	—	Brushed Nickel Trim Kit
	<i>Contains:</i>	Acrylic Handle Metal Handle Escutcheon Escutcheon Tube Adapters Screws
10561	—	Oil Rubbed Bronze Trim Kit
	<i>Contains:</i>	Acrylic Handle Metal Handle Escutcheon Escutcheon Tube Adapters Screws

Posi-Temp is a registered Trademark of Moen

MOEN

BATH FIXTURE

Series **Chateau®/Posi-Temp®** L2351, L2353



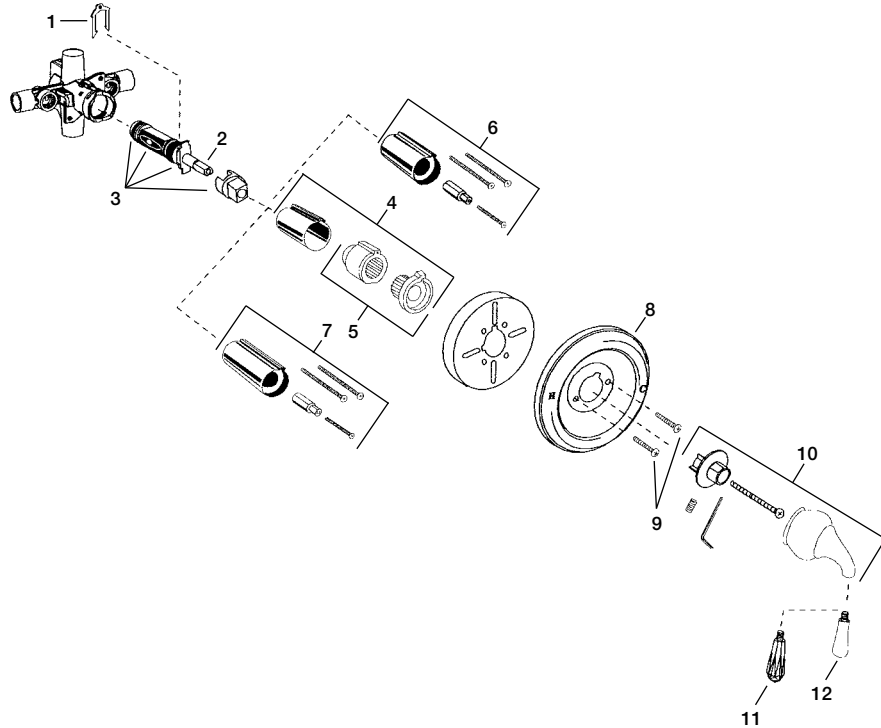
Item No.	Stock No.	OEM Ref No.	Description	Stock No.	OEM Ref No.	Description
1	30923	96914	Cartridge Retainer Clip	10001	—	Chrome Trim Kit
2	10582	96988	Cartridge Repair Kit Includes grommet, grease pack and all necessary O-rings)		<i>Contains:</i>	Acrylic Handle Metal Handle Escutcheon Escutcheon Tube Adapters Screws
3	88675	96983	Cartridge	10002	—	Brushed Nickel Trim Kit
4	—	96987	Stop Tube Kit		<i>Contains:</i>	Acrylic Handle Metal Handle Escutcheon Escutcheon Tube Adapters Screws
5	—	106479	Temperature Limit Stop Kit	10561	—	Oil Rubbed Bronze Trim Kit
6	—	96945	1" Handle Extension Kit		<i>Contains:</i>	Acrylic Handle Metal Handle Escutcheon Escutcheon Tube Adapters Screws
7	—	96955	2" Handle Extension Kit			
8	—	100663	Escutcheon			
9	—	15528	(1) Pair Escutcheon Screws			
10	—	94791	Screw			
11	—	101230	Handle Kit			

Chateau and Posi-Temp are registered Trademarks of Moen

MOEN

BATH FIXTURE

Series Monticello®/Posi-Temp® 2395



Item No.	Stock No.	OEM Ref No.	Description
1	30923	96914	Cartridge Retainer Clip
2	88675	1222	Cartridge
3	10582	96988	Cartridge Repair Kit Includes grommet, grease pack and all necessary O-rings)
4	—	96987	Stop Tube Kit
5	—	106479	Temperature Limit Stop Kit
6	—	96945	1" Handle Extension Kit
7	—	96955	2" Handle Extension Kit
8	—	97491	Escutcheon
9	—	15228	Escutcheon Screw
10	—	95606	Handle Hub
11	—	97464	Handle <i>Acrylic</i>
12	—	97462	Handle <i>Chrome</i>

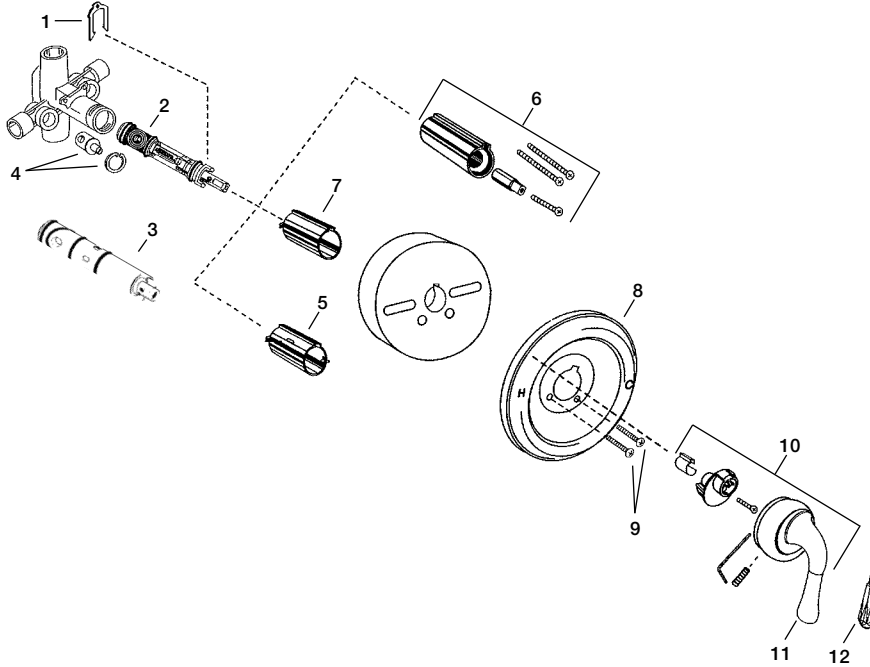
Stock No.	OEM Ref No.	Description
10001	—	Chrome Trim Kit
	<i>Contains:</i>	Acrylic Handle Metal Handle Escutcheon Escutcheon Tube Adapters Screws
10002	—	Brushed Nickel Trim Kit
	<i>Contains:</i>	Acrylic Handle Metal Handle Escutcheon Escutcheon Tube Adapters Screws
10561	—	Oil Rubbed Bronze Trim Kit
	<i>Contains:</i>	Acrylic Handle Metal Handle Escutcheon Escutcheon Tube Adapters Screws

Monticello and Posi-Temp are registered Trademarks of Moen

MOEN

BATH FIXTURE

Series Monticello® 2577



Item No.	Stock No.	OEM Ref No.	Description
1	16729	883	Cartridge Retainer Clip
2	80993TS	1200	Cartridge Brass
3	88431E	1200P	Cartridge Plastic
4	—	12639	Stop Valve Kit
5	—	10510	Adjustable Temperature Limit Stop
6	—	10399	1" Handle Extension Kit
7	—	10089	Stop Tube
8	—	97582	Escutcheon
9	—	15528	(1) Pair Escutcheon Screws
10	—	95602	Handle Hub
11	—	97464	Acrylic Lever Chrome/Clear
12	—	97462	Lever Handle Chrome

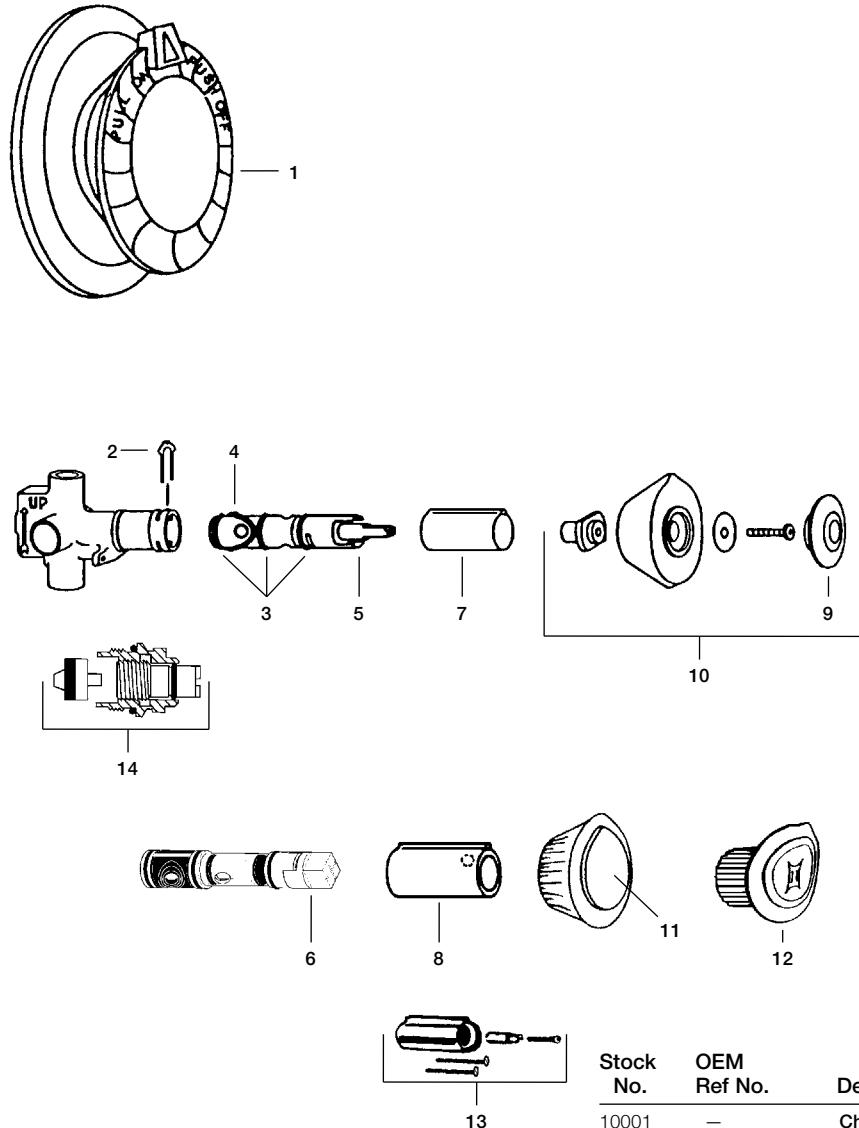
Stock No.	OEM Ref No.	Description
10001	—	Chrome Trim Kit <i>Contains:</i> Acrylic Handle Metal Handle Escutcheon Escutcheon Tube Adapters Screws
10002	—	Brushed Nickel Trim Kit <i>Contains:</i> Acrylic Handle Metal Handle Escutcheon Escutcheon Tube Adapters Screws
10561	—	Oil Rubbed Bronze Trim Kit <i>Contains:</i> Acrylic Handle Metal Handle Escutcheon Escutcheon Tube Adapters Screws
80746	—	Repair Kit No. 1201 <i>Contains:</i> (3) 35728 Cartridge O-Rings (1) 35729 Cartridge O-Ring

Monticello is a registered Trademark of Moen

MOEN

BATH FIXTURE

Series **Chateau**® 2600, 2700, 2720, 72600, 72601, 72701, 72720



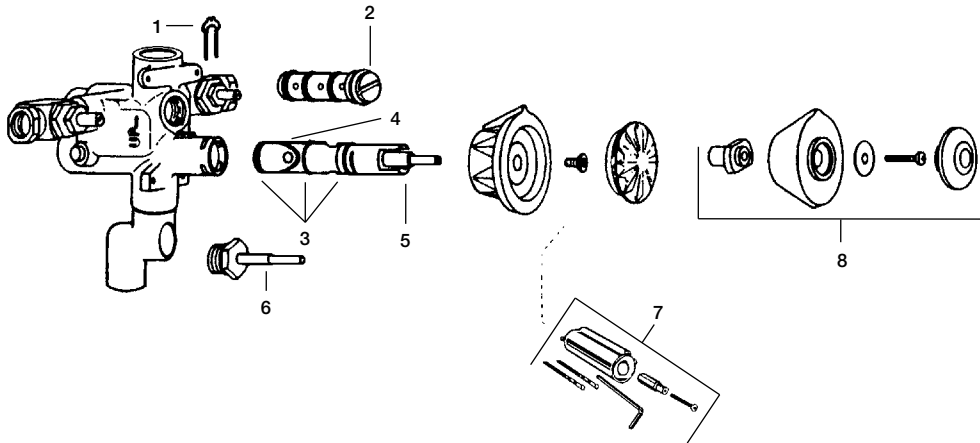
Item No.	Stock No.	OEM Ref No.	Description	Stock No.	OEM Ref No.	Description
1	—	16090	Escutcheon <i>Chrome</i>	10001	—	Chrome Trim Kit
2	—	883	Cartridge Retainer Clip	<i>Contains:</i> Acrylic Handle Metal Handle Escutcheon Escutcheon Tube Adapters Screws		
3	35728B	11	Cartridge O-Rings for Metal Cartridge 3 Required	10002	—	Brushed Nickel Trim Kit
4	35729B	12	Cartridge O-Ring for Metal Cartridge	<i>Contains:</i> Acrylic Handle Metal Handle Escutcheon Escutcheon Tube Adapters Screws		
5	80993TS	1200	Cartridge <i>Brass</i>			
6	88431E	1225	Plastic Cartridge <i>Generic</i>			
7	28364	10089	Stop Tube			
8	—	10510	Adjustable Temperature Limit Stop	10561	—	Oil Rubbed Bronze Trim Kit
9	—	—	Round Handle Button <i>Old Style</i> Round Handle Button <i>New Style</i>	<i>Contains:</i> Acrylic Handle Metal Handle Escutcheon Escutcheon Tube Adapters Screws		
10	89060	13104	Handle Assembly <i>Round</i>			
11	88406	96794	Index Button <i>Teardrop Style</i>			
12	10303	96797	Handle Assembly <i>Teardrop Style</i>			
13	—	10399	1" Chrome Handle Extension Kit	80746	—	Repair Kit No. 1201
14	—	12318	Stop Stem Only	<i>Contains:</i> (3) 35728 Cartridge O-Rings (1) 35729 Cartridge O-Ring		

CHATEAU is a registered Trademark of Moen

MOEN

BATH FIXTURE

Series **Moentrol** 3100, 3200
Boutique 3190, 3191



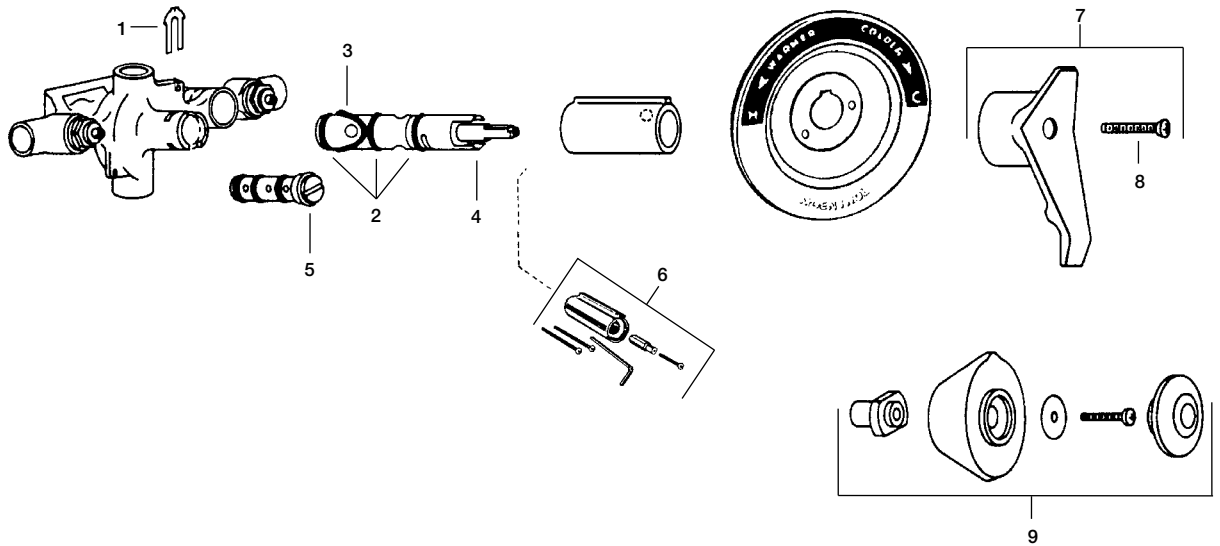
Item No.	Stock No.	OEM Ref No.	Description
1	—	883	Cartridge Retainer Clip
2	—	1423	Balancing Spool
3	35728B	11	Cartridge O-Rings for Metal Cartridge 3 Required
4	35729B	12	Cartridge O-Ring for Metal Cartridge
5	80993TS 88431E	1200 1225	Cartridge <i>Brass</i> Plastic Cartridge
6	—	1198	Automatic Diverter Assembly
7	—	12730	Handle Extension with Adjustable Stop
8	89060 35753B	13104 —	Handle Assembly <i>Round</i> Index O-Ring <i>Not Illustrated</i>

Stock No.	OEM Ref No.	Description
10001	—	Chrome Trim Kit <i>Contains:</i> Acrylic Handle Metal Handle Escutcheon Escutcheon Tube Adapters Screws
10002	—	Brushed Nickel Trim Kit <i>Contains:</i> Acrylic Handle Metal Handle Escutcheon Escutcheon Tube Adapters Screws
10561	—	Oil Rubbed Bronze Trim Kit <i>Contains:</i> Acrylic Handle Metal Handle Escutcheon Escutcheon Tube Adapters Screws
80746	—	Repair Kit No. 1201 <i>Contains:</i> (3) 35728 Cartridge O-Rings (1) 35729 Cartridge O-Ring

MOEN

BATH FIXTURE

Series 3100A,
Moentrol 73100, 73141, 73142



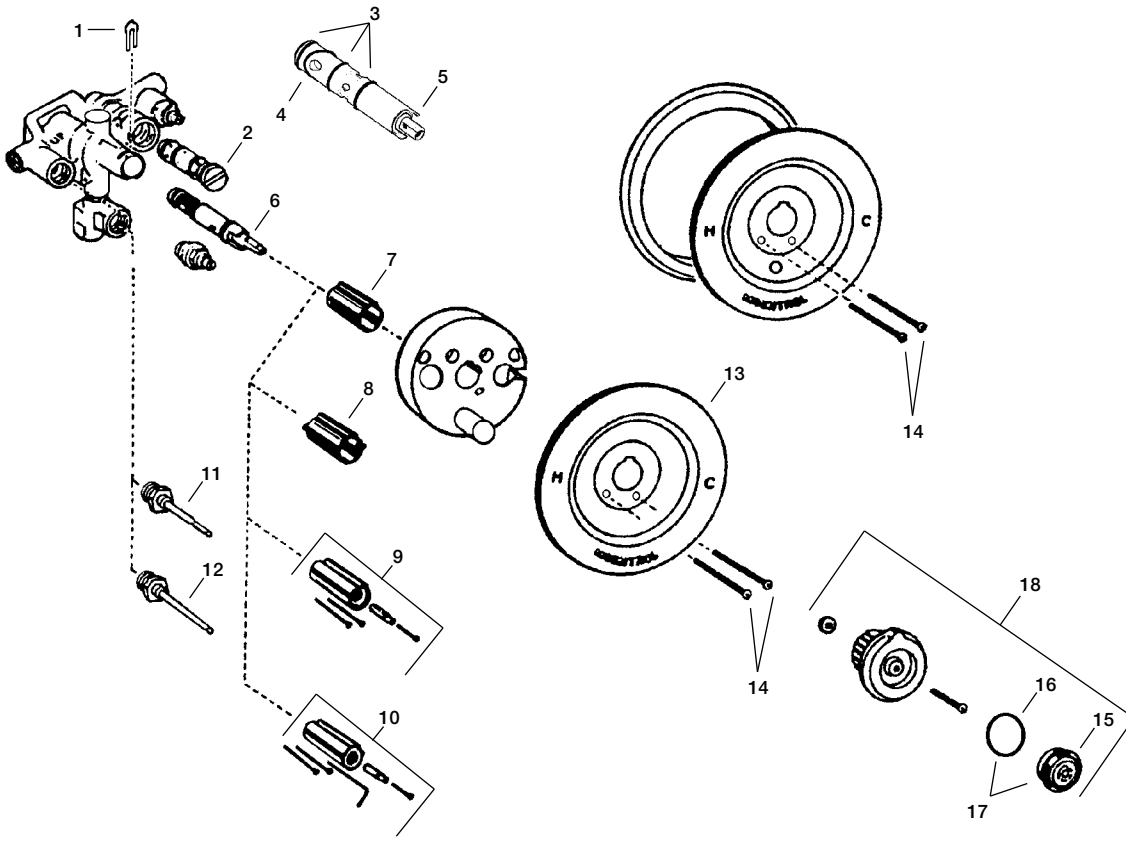
Item No.	Stock No.	OEM Ref No.	Description
1	—	883	Cartridge Retainer Clip
2	35728B	11	Cartridge O-Rings for Metal Cartridge 3 Required
3	35729B	12	Cartridge O-Ring for Metal Cartridge
4	80993TS	1200	Cartridge <i>Brass</i>
	88431E	1225	Cartridge <i>Plastic</i>
5	—	1423	Balancing Spool
6	—	12730	Handle Extension with Adjustable Stop
7	—	15528	Escutcheon Screws 2 Required
8	—	13499	Lever Handle Kit
9	89060	13104	Handle Assembly <i>Round</i>

Stock No.	OEM Ref No.	Description
10001	—	Chrome Trim Kit
	Contains:	Acrylic Handle Metal Handle Escutcheon Escutcheon Tube Adapters Screws
10002	—	Brushed Nickel Trim Kit
	Contains:	Acrylic Handle Metal Handle Escutcheon Escutcheon Tube Adapters Screws
10561	—	Oil Rubbed Bronze Trim Kit
	Contains:	Acrylic Handle Metal Handle Escutcheon Escutcheon Tube Adapters Screws
80746	—	Repair Kit No. 1201
	Contains:	(3) 35728 Cartridge O-Rings (1) 35729 Cartridge O-Ring

MOEN

BATH FIXTURE

Series Legend 3100, 3200, 72000, 73000

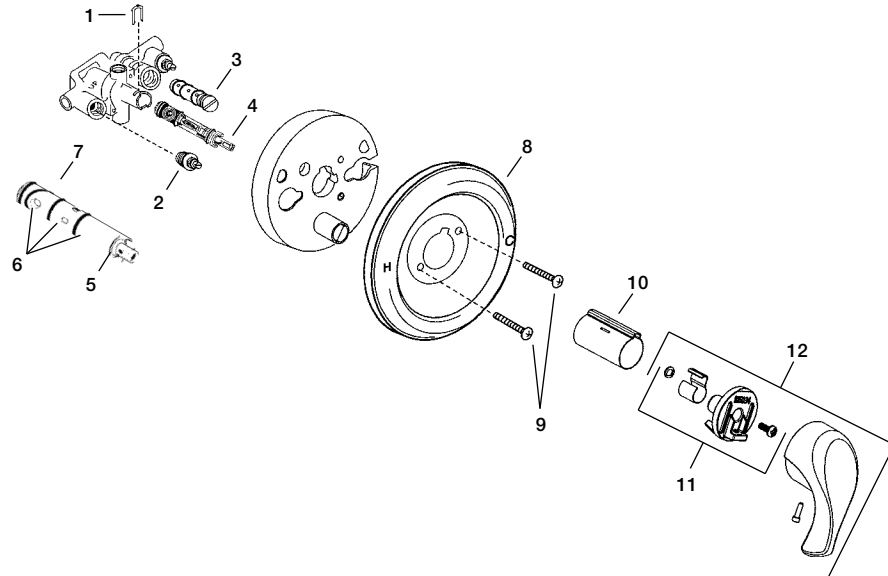


Item No.	Stock No.	OEM Ref No.	Description	Stock No.	OEM Ref No.	Description
1	—	883	Cartridge Retainer Clip	10001	—	Chrome Trim Kit
2	—	1423	Balancing Spool		Contains:	Acrylic Handle Metal Handle Escutcheon Escutcheon Tube Adapters Screws
3	35728B	11	Cartridge O-Rings for Metal Cartridge 3 Required	10002	—	Brushed Nickel Trim Kit
4	35729B	12	Cartridge O-Ring for Metal Cartridge		Contains:	Acrylic Handle Metal Handle Escutcheon Escutcheon Tube Adapters Screws
5	80993TS	1200	Cartridge Brass	10561	—	Oil Rubbed Bronze Trim Kit
6	88431E	1225	Plastic Cartridge		Contains:	Acrylic Handle Metal Handle Escutcheon Escutcheon Tube Adapters Screws
7	—	12392	Stop Tube <i>Chrome Plated</i>	80746	—	Repair Kit No. 1201
8	—	10066	Adjustable Temperature Limiting Stop <i>Chrome Plated</i>		Contains:	(3) 35728 Cartridge O-Rings (1) 35729 Cartridge O-Ring
9	—	1136	1" Handle Extension <i>Chrome Plated</i>			
10	—	12730	Handle Extension with Adjustable Stop <i>Chrome Plated</i>			
11	—	1198	Push Button Diverter Assembly			
12	—	1394	Push Button Diverter Assembly Long			
13	—	12244	Escutcheon <i>Non-Diverter Models Chrome Plated</i>			
14	—	15528	Escutcheon Screws 2 Required			
15	—	—	Knob Handle Index Button			
16	35753B	—	#39 O-Ring for Index Button			
17	—	15613	Knob Insert Kit <i>Chrome</i>			
18	89060	13094	Handle Assembly <i>Round</i>			
	—	—	Handle Kit			

MOEN

BATH FIXTURE

Series Legend/Moentrol L3170



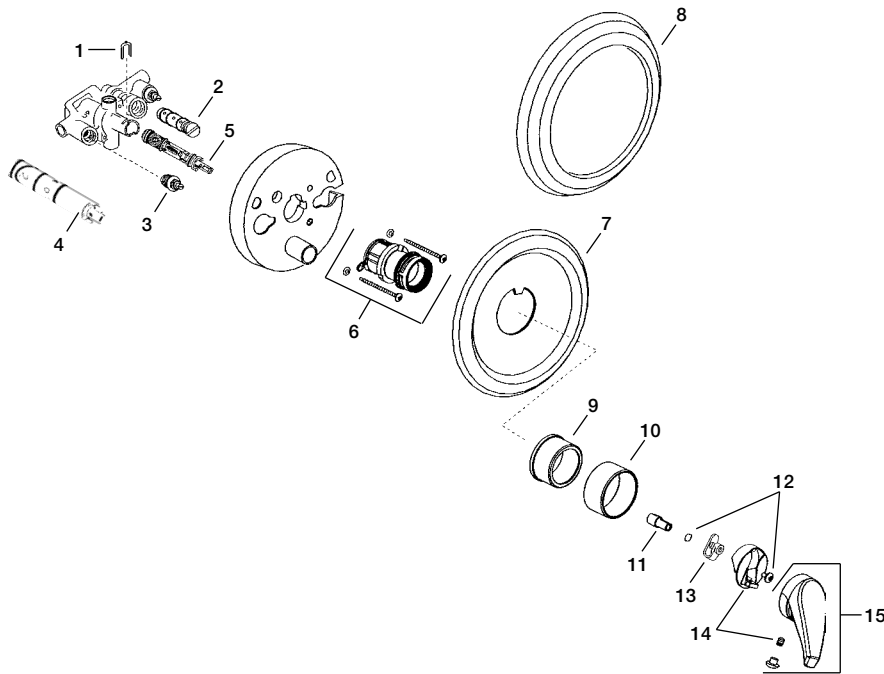
Item No.	Stock No.	OEM Ref No.	Description
1	—	883	Cartridge Retainer Clip
2	—	12318	Stop-Check Valve Kit
3	—	1423	Balancing Spool
4	88431E	1225	Plastic Cartridge
5	80993TS	1200	Cartridge Brass
6	35728B	11	Cartridge O-Rings for Metal Cartridge 3 Required
7	35729B	12	Cartridge O-Ring for Metal Cartridge
8	—	97577	Escutcheon Chrome
9	—	15528	(1) Pair Escutcheon Screws Chrome
10	—	10066	Adjustable Temperature Limit Stop Chrome
11	—	100223	Handle Adapter and Brake Kit
12	—	100224	Handle Kit Chrome

Stock No.	OEM Ref No.	Description
10001	—	Chrome Trim Kit Contains: Acrylic Handle Metal Handle Escutcheon Escutcheon Tube Adapters Screws
10002	—	Brushed Nickel Trim Kit Contains: Acrylic Handle Metal Handle Escutcheon Escutcheon Tube Adapters Screws
10561	—	Oil Rubbed Bronze Trim Kit Contains: Acrylic Handle Metal Handle Escutcheon Escutcheon Tube Adapters Screws
80746	—	Repair Kit No. 1201 Contains: (3) 35728 Cartridge O-Rings (1) 35729 Cartridge O-Ring

MOEN

BATH FIXTURE

Series Legend/Moentrol L3175 (before 02/01)



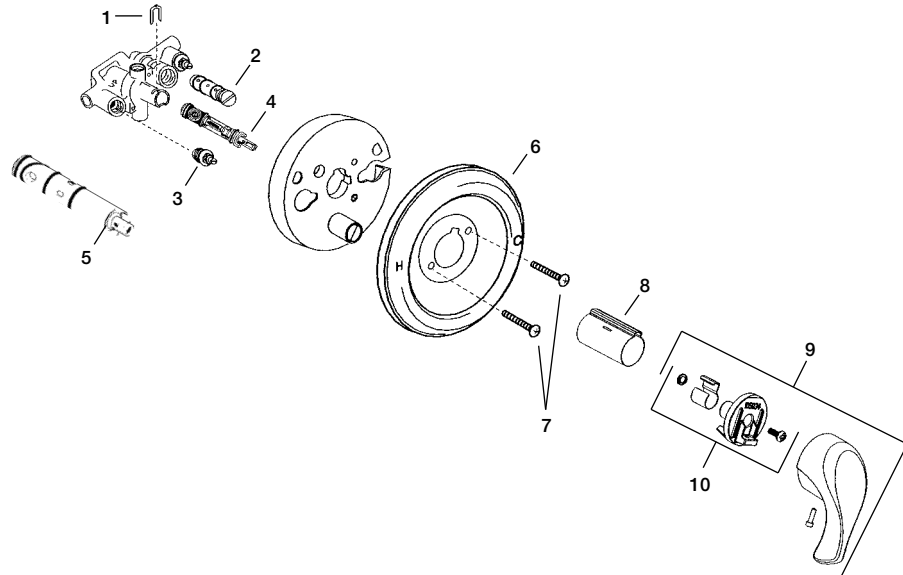
Item No.	Stock No.	OEM Ref No.	Description
1	—	883	Cartridge Retainer Clip
2	—	1423	Balancing Spool
3	—	12318	Stop-Check Valve Kit
4	88431E	1225	Plastic Cartridge
5	80993TS	1200	Cartridge Brass
6	—	101109	Mounting Adapter Assembly
7	—	94758	Escutcheon
8	—	162	Escutcheon Extension
9	—	94799	Collar
10	—	94778	Sleeve
11	—	94773	Stem Extension
12	—	94786	Screw and Washer
13	—	100270	Connector
14	—	94746	Handle Adapter Kit
15	—	94740	Handle Kit

Stock No.	OEM Ref No.	Description
10001	—	Chrome Trim Kit <i>Contains:</i> Acrylic Handle Metal Handle Escutcheon Escutcheon Tube Adapters Screws
10002	—	Brushed Nickel Trim Kit <i>Contains:</i> Acrylic Handle Metal Handle Escutcheon Escutcheon Tube Adapters Screws
10561	—	Oil Rubbed Bronze Trim Kit <i>Contains:</i> Acrylic Handle Metal Handle Escutcheon Escutcheon Tube Adapters Screws
80746	—	Repair Kit No. 1201 <i>Contains:</i> (3) 35728 Cartridge O-Rings (1) 35729 Cartridge O-Ring

MOEN

BATH FIXTURE

Series Legend/Moentrol L3175 (after 02/01)



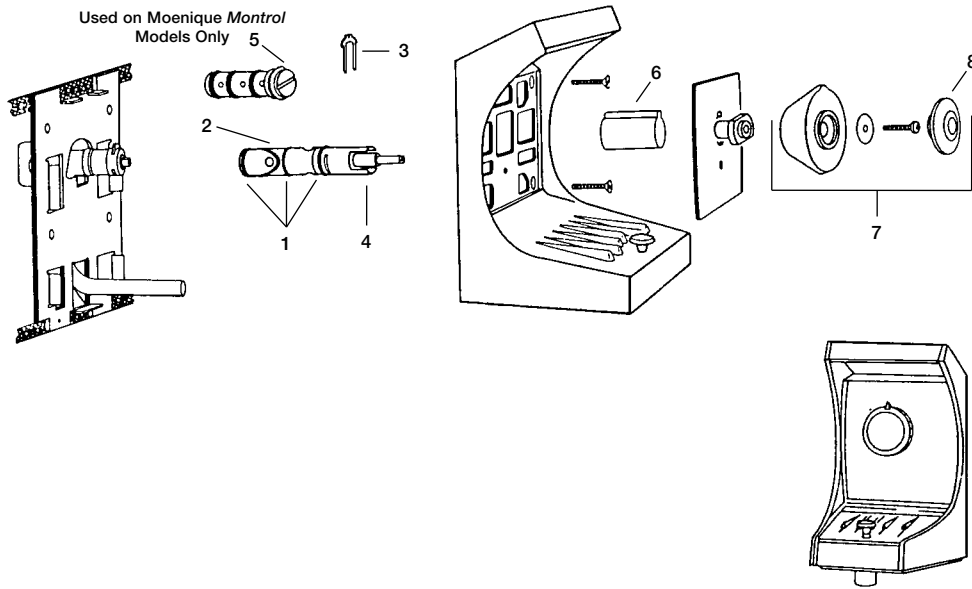
Item No.	Stock No.	OEM Ref No.	Description
1	—	883	Cartridge Retainer Clip
2	—	1423	Balancing Spool
3	—	12318	Stop-Check Valve Kit
4	80993TS	1200	Cartridge Brass
5	88431E	1225	Plastic Cartridge
6	—	97577	Escutcheon
7	—	15528	(1) Pair Escutcheon Screws
8	—	10066	Adjustable Temperature Limit Stop
9	—	100223	Handle Adapter & Brake Kit
10	—	100224	Handle Kit

Stock No.	OEM Ref No.	Description
10001	—	Chrome Trim Kit
	Contains:	Acrylic Handle Metal Handle Escutcheon Escutcheon Tube Adapters Screws
10002	—	Brushed Nickel Trim Kit
	Contains:	Acrylic Handle Metal Handle Escutcheon Escutcheon Tube Adapters Screws
10561	—	Oil Rubbed Bronze Trim Kit
	Contains:	Acrylic Handle Metal Handle Escutcheon Escutcheon Tube Adapters Screws
80746	—	Repair Kit No. 1201
	Contains:	(3) 35728 Cartridge O-Rings (1) 35729 Cartridge O-Ring

MOEN

BATH FIXTURE

Series **Moenique** 3600, 3700



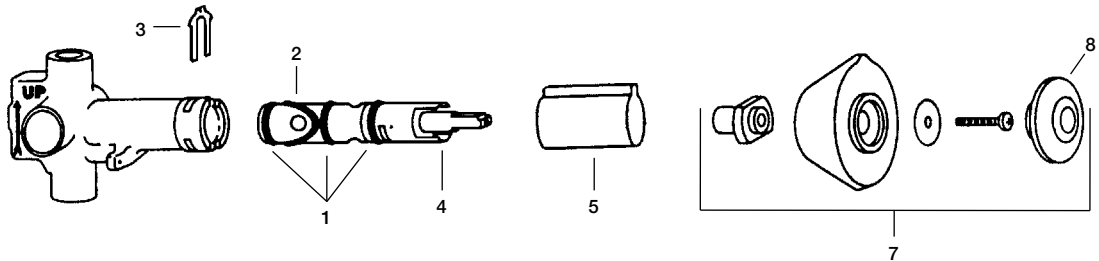
Item No.	Stock No.	OEM Ref No.	Description
1	35728B	11	Cartridge O-Rings for Metal Cartridge 3 Required
2	35729B	12	Cartridge O-Ring for Metal Cartridge
3	—	883	Cartridge Retainer Clip
4	80993TS 88431E	1200 1225	Cartridge <i>Brass</i> Plastic Cartridge
5	—	1423	Balancing Spool
6	28364	10089	Stop Tube
7	89060	13094	Handle Assembly <i>Round</i>
8	—	—	Round Handle Button <i>Old Style</i> Round Handle Button <i>New Style</i>

Stock No.	OEM Ref No.	Description
80746	—	Repair Kit No. 1201
	<i>Contains:</i>	(3) 35728 Cartridge O-Rings (1) 35729 Cartridge O-Ring

MOEN

BATH FIXTURE

Series **Boutique** 5400, 5420 (*less Stops*), 5450, 5470 (*with Stops*)



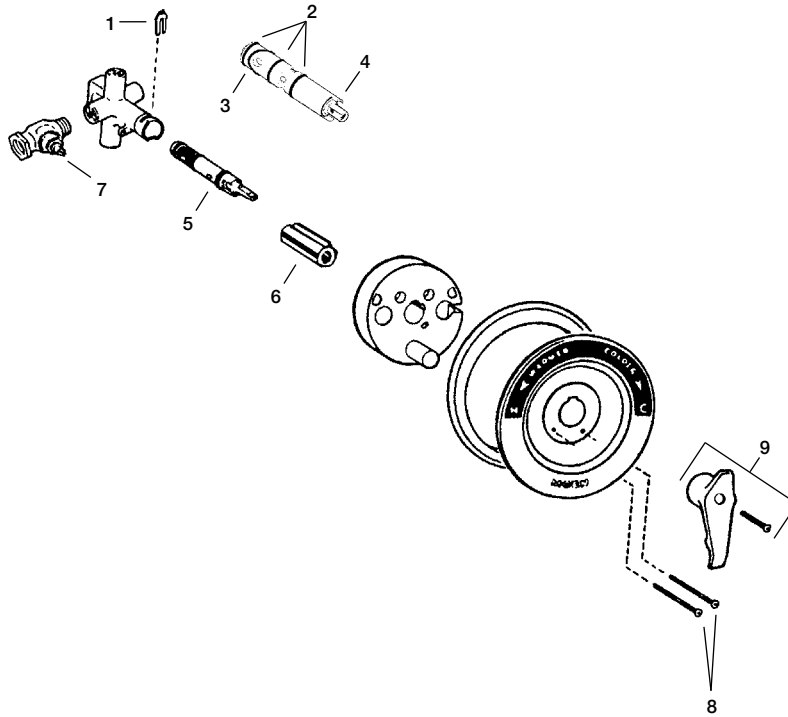
Item No.	Stock No.	OEM Ref No.	Description
1	35728B	11	Cartridge O-Rings for Metal Cartridge 3 Required
2	35729B	12	Cartridge O-Ring for Metal Cartridge
3	—	883	Cartridge Retainer Clip
4	80993TS 88431E	1200 1225	Cartridge <i>Brass</i> Plastic Cartridge
5	28364	10089	Stop Tube
7	89060	13094	Handle Assembly <i>Round</i>
8	—	—	Round Handle Button <i>Old Style</i> Round Handle Button <i>New Style</i>

Stock No.	OEM Ref No.	Description
10001	—	Chrome Trim Kit
	<i>Contains:</i>	Acrylic Handle Metal Handle Escutcheon Escutcheon Tube Adapters Screws
10002	—	Brushed Nickel Trim Kit
	<i>Contains:</i>	Acrylic Handle Metal Handle Escutcheon Escutcheon Tube Adapters Screws
10561	—	Oil Rubbed Bronze Trim Kit
	<i>Contains:</i>	Acrylic Handle Metal Handle Escutcheon Escutcheon Tube Adapters Screws
80746	—	Repair Kit No. 1201
	<i>Contains:</i>	(3) 35728 Cartridge O-Rings (1) 35729 Cartridge O-Ring

MOEN

BATH FIXTURE

Series Legend 72244, 72245, 72251

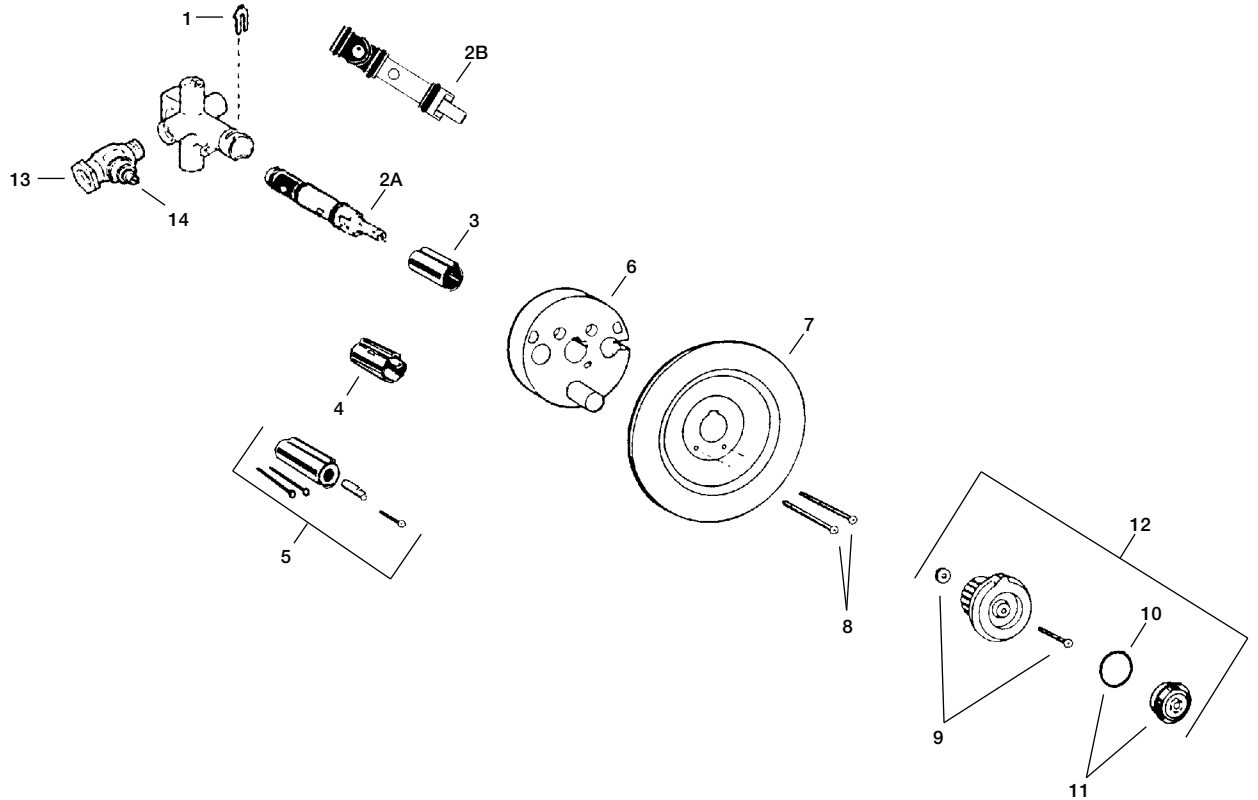


Item No.	Stock No.	OEM Ref No.	Description	Stock No.	OEM Ref No.	Description
				10001	—	Chrome Trim Kit
					<i>Contains:</i>	Acrylic Handle Metal Handle Escutcheon Escutcheon Tube Adapters Screws
				10002	—	Brushed Nickel Trim Kit
					<i>Contains:</i>	Acrylic Handle Metal Handle Escutcheon Escutcheon Tube Adapters Screws
				10561	—	Oil Rubbed Bronze Trim Kit
					<i>Contains:</i>	Acrylic Handle Metal Handle Escutcheon Escutcheon Tube Adapters Screws
1	—	883	Cartridge Retainer Clip			
2	35728B	11	Cartridge O-Rings for Metal Cartridge 3 Required			
3	35729B	12	Cartridge O-Ring for Metal Cartridge			
4	88431E	1225	Plastic Cartridge			
5	80993TS	1200	Cartridge Brass			
6	—	10510	Adjustable Temperature Limiting Stop			
7	—	12318	Stop Stem Only			
8	—	15528	(1) Pair Escutcheon Screws			
9	—	13499	Lever Handle Assembly			

MOEN

BATH FIXTURE

Series Legend 72205, 72206, 72207, 72296, 72295, 72299, 72298, 72211, 72215, 72227, 72231, 72246, 72248, 72261, 72259, 72264, 72260



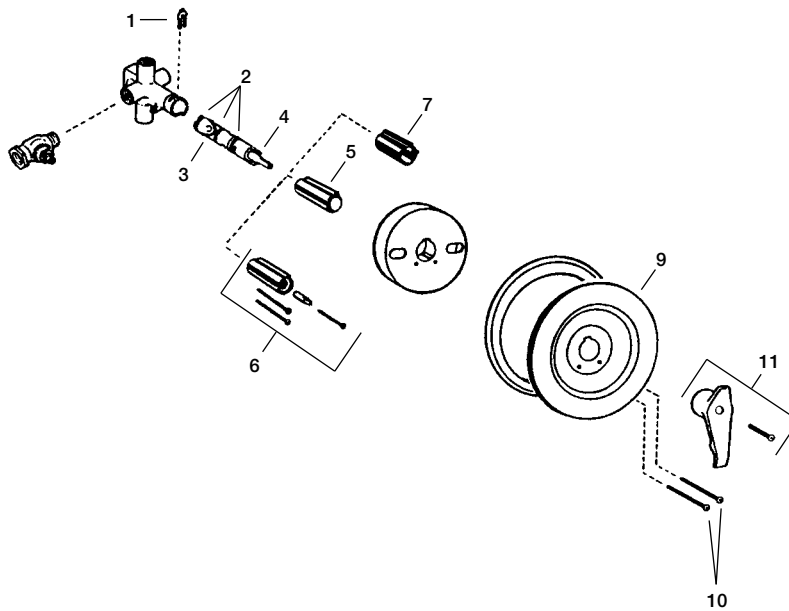
Item No.	Stock No.	OEM Ref No.	Description
1	—	883	Cartridge Retainer Clip
2A	80993TS	1200	Cartridge <i>Brass</i>
2B	88431E	1225	Plastic Cartridge
3	—	90247	Stop Tube <i>Polished Brass</i>
	—	15536	Stop Tube <i>Antique Brass</i>
	—	14092	Stop Tube <i>Satin Brass</i>
4	—	15223	Adjustable Temp. Limit Stop <i>Antique Brass</i>
5	—	92528	1" Handle Extension Kit <i>Satin & Polished Brass</i>
	—	92507	1" Handle Extension Kit <i>Antique Brass</i>
6	—	14207	Plaster Guard
7	—	95208	Escutcheon <i>Polished Brass</i>
	—	15541	Escutcheon <i>Antique Brass</i>
	—	14093	Escutcheon <i>Satin Brass</i>
8	—	90248	Escutcheon Screws <i>Polished Brass</i>
	—	15529	Escutcheon Screws <i>Antique Brass</i>
	—	14093	Escutcheon Screws <i>Satin Brass</i>
9	—	96806	Handle Hardware Package
10	35753B	—	Handle Index O-Ring
11	—	15593	Knob Handle Insert Kit <i>Antique Brass</i>
	—	15623	Knob Handle Insert Kit <i>Satin & Polished Brass</i>
12	—	13127	Knob Handle Kit <i>Antique Brass</i>
	—	15508	Knob Handle Kit <i>Satin & Polished Brass</i>
13	—	512	Stop Check Valve IPS to IPS
	—	1912	Stop Check Valve CC to CC
	—	1922	Stop Check Valve IPS to CC
14	—	12318	Replacement Stop Stem Only

Stock No.	OEM Ref No.	Description
10001	—	Chrome Trim Kit
	Contains:	Acrylic Handle Metal Handle Escutcheon Escutcheon Tube Adapters Screws
10002	—	Brushed Nickel Trim Kit
	Contains:	Acrylic Handle Metal Handle Escutcheon Escutcheon Tube Adapters Screws
10561	—	Oil Rubbed Bronze Trim Kit
	Contains:	Acrylic Handle Metal Handle Escutcheon Escutcheon Tube Adapters Screws

MOEN

BATH FIXTURE

Series **Chateau**® 72745 thru 72748



Item No.	Stock No.	OEM Ref No.	Description	Stock No.	OEM Ref No.	Description
1	—	883	Cartridge Retainer Clip	10001	—	Chrome Trim Kit
2	35728B	11	Cartridge O-Rings for Metal Cartridge 3 Required		<i>Contains:</i>	Acrylic Handle Metal Handle Escutcheon Escutcheon Tube Adapters Screws
3	35729B	12	Cartridge O-Ring for Metal Cartridge	10002	—	Brushed Nickel Trim Kit
4	80993TS 88431E	1200 1225	Cartridge <i>Brass</i> Plastic Cartridge <i>Generic</i>		<i>Contains:</i>	Acrylic Handle Metal Handle Escutcheon Escutcheon Tube Adapters Screws
5	28364	10089	Stop Tube	10561	—	Oil Rubbed Bronze Trim Kit
6	—	10399	1" Handle Extension Kit		<i>Contains:</i>	Acrylic Handle Metal Handle Escutcheon Escutcheon Tube Adapters Screws
7	—	10510	Adjustable Temperature Limit Stop	80746	—	Repair Kit No. 1201
8	—	12318	Stop Stem		<i>Contains:</i>	(3) 35728 Cartridge O-Rings (1) 35729 Cartridge O-Ring
9	—	16090	Escutcheon			
10	—	15528	(1) Pair Escutcheon Screws			
11	—	13499	Lever Handle Assembly			

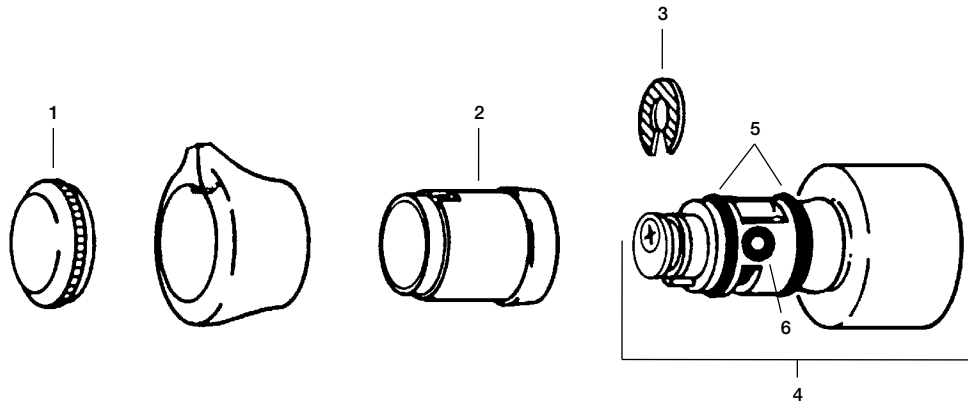
CHATEAU is a registered Trademark of Moen

REPAIRS FOR

MOEN

BATH FIXTURE

Series **Stanadyne Touch Control** 8200, 82019



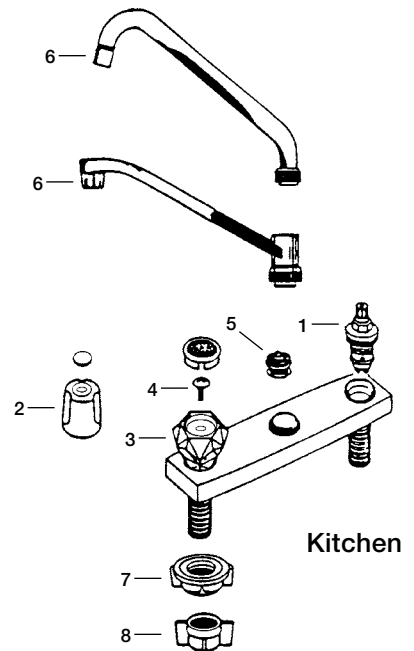
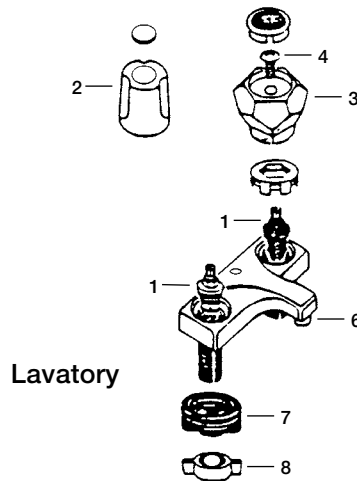
Item No.	Stock No.	OEM Ref No.	Description
1	—	11308	Handle Cover
2	—	11273	Housing Assembly
3	—	11307	Housing Retainer Clip
4	80553	—	Cartridge Assembly
5	35776B	11027	End Seal 2 Required
6	35711B	11016	Port Seal 2 Required
	—	—	Port Seals <i>Not Illustrated</i>

Stock No.	OEM Ref No.	Description
80696	—	Cartridge Repair Kit
	<i>Contains:</i>	O-Rings for All <i>Touch-Control</i> Cartridges

REPAIRS FOR

NIBCO

KITCHEN & LAVATORY FAUCETS



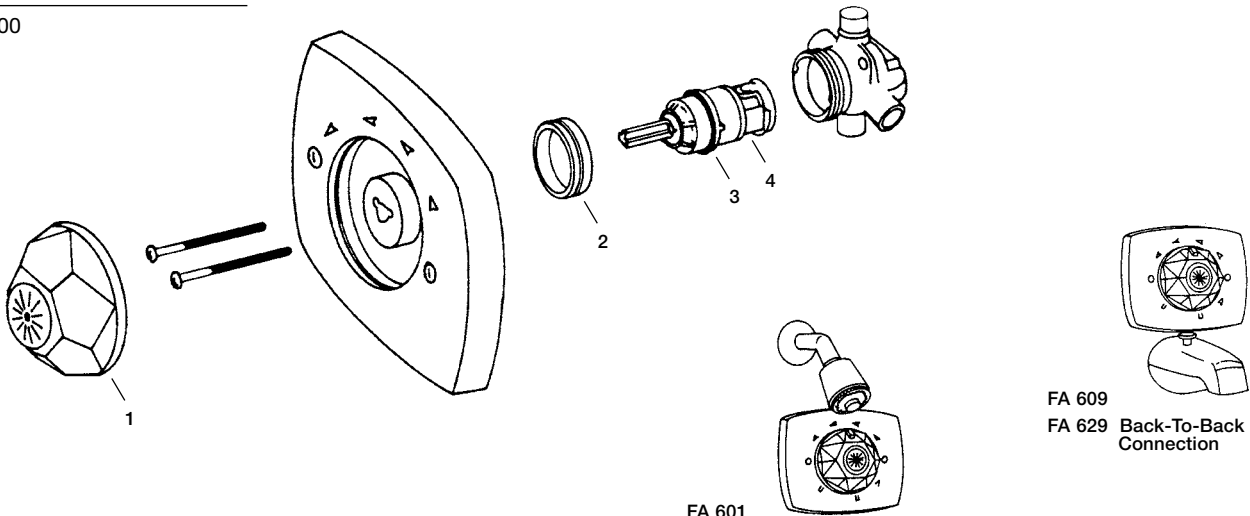
Item No.	Stock No.	OEM Ref No.	Description
1	16015B	—	Stem R.H. Hot & Cold
2	—	—	Replacement Handles <i>Metal</i>
3	—	—	Replacement Handles <i>Lucite</i>
4	—	—	Handle Screw
5	—	—	Spray Diverter
6	10481	—	Aerator
7	73113B	—	Shank Nut
8	—	—	Coupling Nut

REPAIRS FOR

NIBCO

TUB & SHOWER FIXTURE

Series 600



Item No.	Stock No.	OEM Ref No.	Description
1	—	64-0	Handle
2	—	40016	Control Retainer
3	35770B	56	Cartridge O-Ring
4	30889	62	Cartridge
	18030B	—	Stem Extension for Nibco

FA 601
FA 621 Back-To-Back Connection

FA 609
FA 629 Back-To-Back Connection

FA 605
FA 625 Back-To-Back Connection

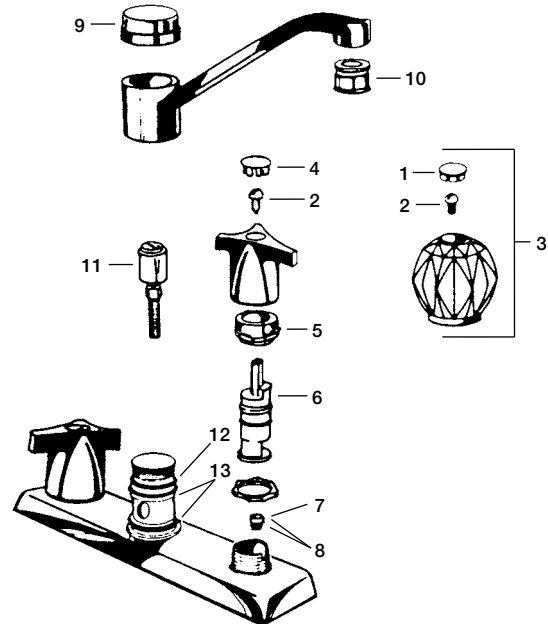
REPAIRS FOR

PEERLESS

KITCHEN FAUCET

New Style

Item No.	Stock No.	OEM Ref No.	Description
1	14386B	2123	(1) Pair Index Buttons <i>Hot & Cold</i>
2	35646B	119	Handle Screw
3	—	—	(1) Pair Acrylic Handles <i>Hot & Cold</i>
4	—	—	Index Button <i>Hot</i>
5	—	—	Index Button <i>Cold</i>
6	17833	1713	Stem Bonnet
7	16030B	1740	Stem with Bonnet R.H. Hot & Cold with Seats & Springs <i>Plastic Bottom Generic</i>
8	16031B	—	Stem Unit with Seat, Springs & Cap
9	—	2156	Seat
10	80704	—	Seats and Springs
11	—	1733	Spout Cap
12	10483	330	Aerator Assembly
13	36208	1741	Diverter Unit
	35776B	—	Spout O-Ring
	35741B	—	Spout O-Ring 2 Required



Stock No.	OEM Ref No.	Description
124134	—	Stem Repair Kit
	Contains:	(1) 35584 Ring (1) 18063 Seat (1) 18013 Spring (1) 35711 O-Ring (1) 35784 O-Ring (1) 35745 O-Ring

REPAIRS FOR

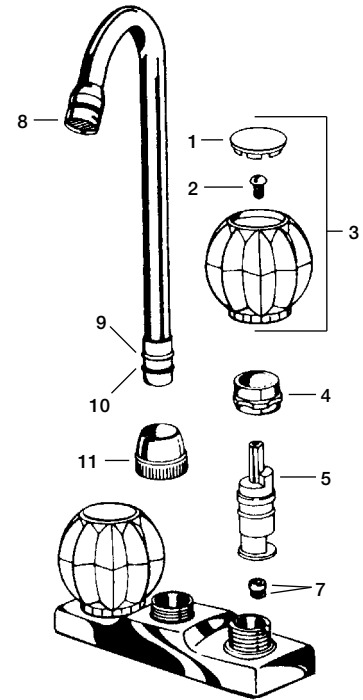
NIBCO

BAR FAUCET

Series New Style

Item No.	Stock No.	OEM Ref No.	Description
1	—	2123	(1) Pair Index Buttons <i>Hot & Cold</i>
2	35646B	119	Handle Screw
3	—	—	(1) Pair Acrylic Handles <i>Hot & Cold</i>
4	17833B	1713	Stem Bonnet
5	16030B	1740	Stem with Bonnet R.H. Hot & Cold with Seats & Springs <i>Plastic Bottom Generic</i>
	16031B	—	Stem Unit with Seat, Springs & Cap
7	80704	2156	Seats and Springs
8	10483	2181	Aerator
9	—	3366	Retaining Ring
10	35728B	3365	O-Ring
11	—	3357	Bonnet

Stock No.	OEM Ref No.	Description
124134	—	Stem Repair Kit
	<i>Contains:</i>	(1) 35584 Ring (1) 18063 Seat (1) 18013 Spring (1) 35711 O-Ring (1) 35784 O-Ring (1) 35745 O-Ring



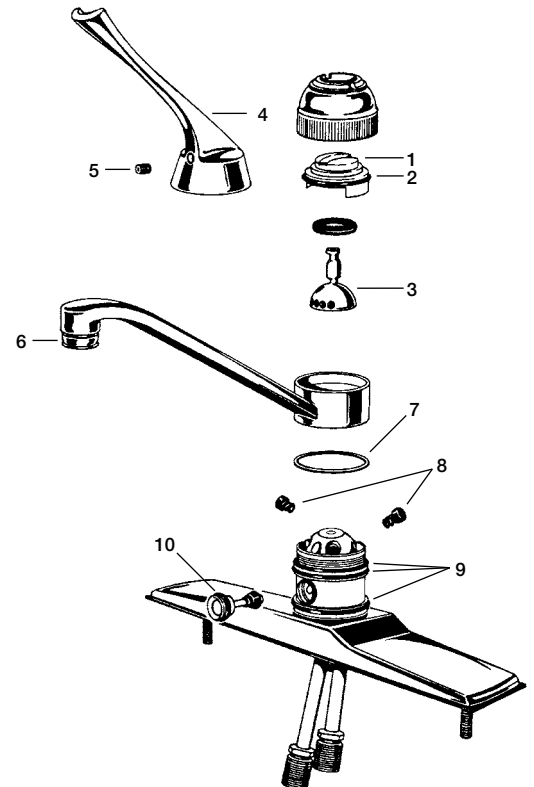
REPAIRS FOR

PEERLESS

KITCHEN FAUCET

Series 4200 *Deck Mount*, 4300 *Wallmount*, Manufactured prior to April 1976

Item No.	Stock No.	OEM Ref No.	Description
1	—	820	Retainer
2	35739B	25	Retainer Seal Ring
3	—	1849	Control Cap for Integral Ball
4	88435	—	Single Lever Handle
5	—	152	Set Screw for Single Lever Handle
6	10483	—	15/16M Aerator
7	—	731	Slip Ring
8	80694	1566	Seat & Spring Assembly
9	35752B	38	O-Ring 3 Required
10	80093E	320	Spray Diverter
	—	18	Allen Wrench <i>Not Illustrated</i>



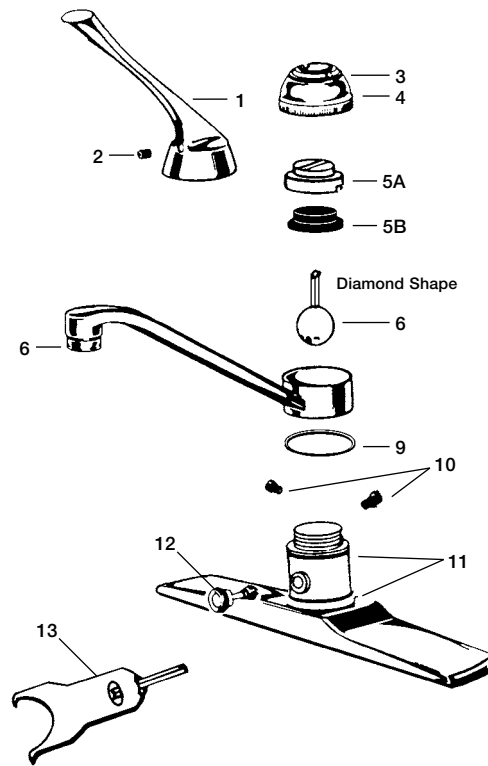
REPAIRS FOR

PEERLESS

KITCHEN FAUCET

Series New Style

Item No.	Stock No.	OEM Ref No.	Description
1	88435	—	Single Lever Handle
2	—	152	Set Screw for Single Lever Handle
3	80965	1051	Adjusting Ring
4	88756	1050	Cap
5A	—	1165	Cam
5B	—	251	Packing
	88105		Cam Assembly (Cam & Packing)
6	80706	1963	Ball Assembly <i>Plastic</i>
8	10483	2341	Aerator Assembly
9	—	1070	Slip Ring
10	80704	—	Seats & Springs
11	35739B	1076	O-Ring 2 Required
12	80093E	2340	Diverter Assembly
13	—	RP1974	Wrench

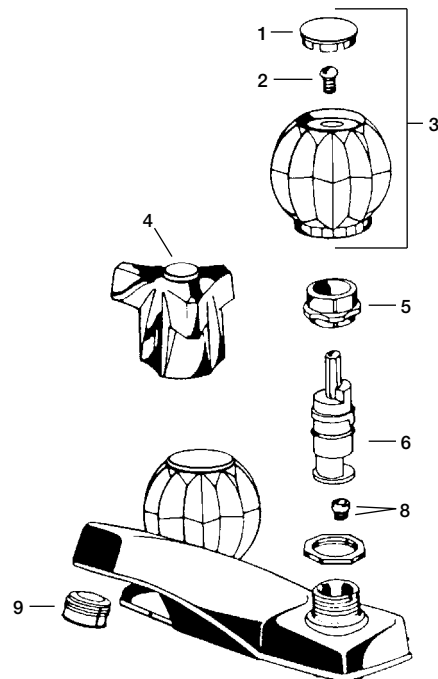


REPAIRS FOR

PEERLESS

LAVATORY FAUCET

Item No.	Stock No.	OEM Ref No.	Description
1	—	2123	(1) Pair Index Buttons <i>Hot & Cold</i>
2	35646B	119	Handle Screw
3	—	—	(1) Pair Acrylic Handles <i>Hot & Cold</i>
4	—	2072	Index Button <i>Hot</i>
	—	2073	Index Button <i>Cold</i>
5	17833B	1713	Stem Bonnet
6	16030B	2083	Stem with Bonnet R.H. <i>Hot & Cold</i> with Seats & Springs <i>Plastic Bottom Generic</i>
	16031B	—	Stem Unit with Seat, Springs & Cap
8	80704	2156	Seats and Springs
9	10483	2341	Aerator
	Stock No.	OEM Ref No.	Description
	124134	—	Stem Repair Kit
		Contains:	(1) 35584 Ring (1) 18063 Seat (1) 18013 Spring (1) 35711 O-Ring (1) 35784 O-Ring (1) 35745 O-Ring

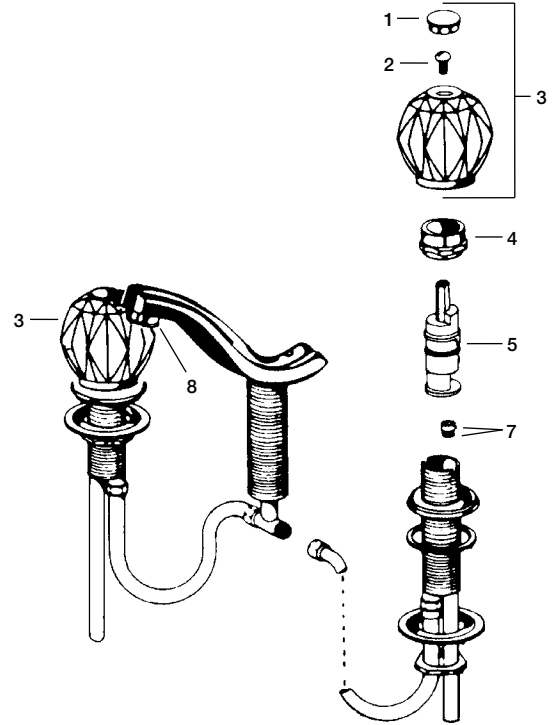


REPAIRS FOR

PEERLESS

WIDESPREAD LAVATORY FAUCET

Item No.	Stock No.	OEM Ref No.	Description
1	—	2069	Index Button <i>Hot</i>
	—	2071	Index Button <i>Cold</i>
2	35646B	119	Handle Screw
3	—	—	(1) Pair Acrylic Handles <i>Smoke Hot & Cold</i>
4	17833B	1713	Stem Bonnet
5	16030B	2083	Stem with Bonnet R.H. Hot & Cold with Seats & Springs <i>Plastic Bottom Generic</i>
7	80704	2156	Seats and Springs
8	10483	2341	Aerator
	Stock No.	OEM Ref No.	Description
	124134	—	Stem Repair Kit
		<i>Contains:</i>	(1) 35584 Ring (1) 18063 Seat (1) 18013 Spring (1) 35711 O-Ring (1) 35784 O-Ring (1) 35745 O-Ring



REPAIRS FOR

PEERLESS

LAVATORY FAUCET

Washerless Series 1106, 1206, 8600, 8620



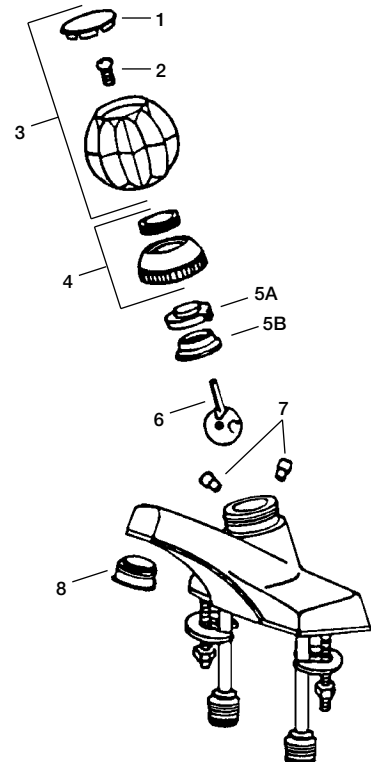
OLD STYLE

Faucets manufactured prior to April 1976 contain an integral ball which cannot be removed



NEW STYLE

Faucets manufactured after April 1976 contain replaceable ball units

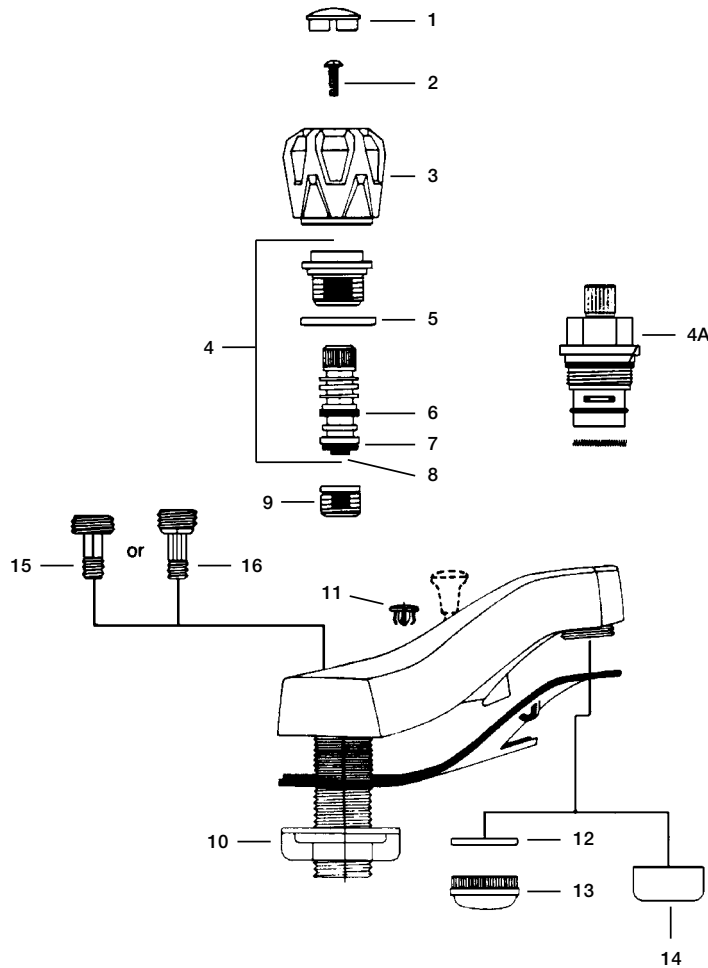


Item No.	Stock No.	OEM Ref No.	Description
1	80970	2075	Handle Button
2	35646B	119	Handle Screw
3	—	1867	Handle Assembly with Screw & Button
4	88756	1050	Cap Assembly
5A	—	1165	Cam
5B	—	251	Packing
	88105		Cam Assembly (Cam & Packing)
6	80706	1963	Ball Assembly <i>Plastic</i>
7	80704	1815	Seats & Springs <i>After 1976</i>
8	10483	330	15/16M Premium Aerator

PHOENIX

LAVATORY FAUCET and LAVATORY DIVERTER

4" Center Faucet

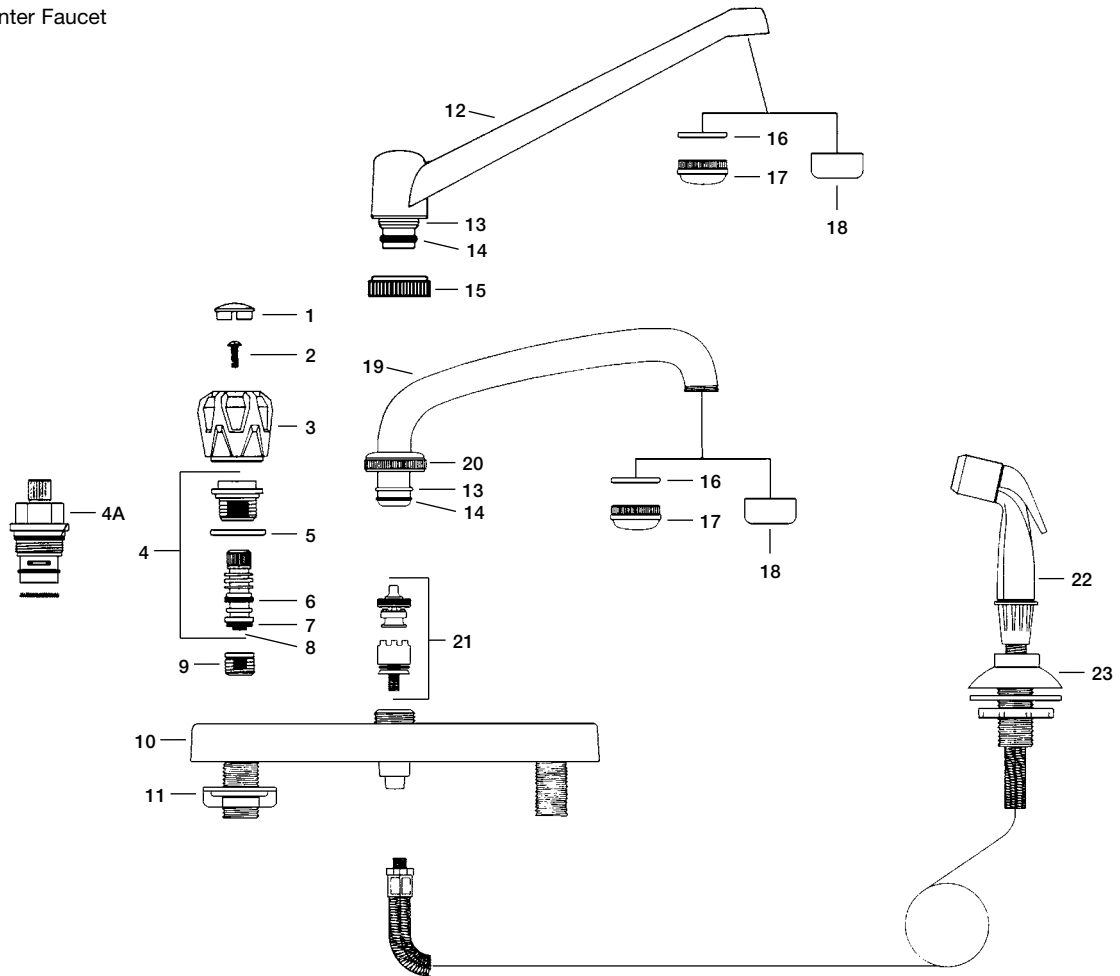


Item No.	Stock No.	OEM Ref No.	Description
1	—	40-16	Index Button <i>Clear Hot</i> (5 per Pak)
	—	—	Index Button <i>Clear Cold</i> (5 per Pak)
2	35647B	40-2H	Handle Screw
3	88170	—	(1) Pair Acrylic Handles <i>Clear</i> with Screws & Buttons
4	17451E	41-5-0	Stem & Bonnet Assembly
4A	18593B	P 82	Washerless Plastic Stem
5	35744B	40-3-1	Bonnet Washer
6	35762B	40-6	Stem O-Ring
7	35062B	40-3-2	Seat Washer
8	—	40-2 S	Seat Washer Screw
9	30078E	40-1	Renu Seat for Lavatory Faucet
10	73113B	40-11	1/2" Plastic Locknut
11	—	40-12-16	Shield Button for Lavatory Faucet
12	—	50-13-3	End Trim Washer
13	—	6-40-13-0	End Trim Assembly
14	—	50-19-C	Aerator
15	—	44-13	"D" Spud for Lavatory Diverter
16	—	412-13	Vacuum Breaker for Lavatory Diverter

PHOENIX

KITCHEN FAUCET

Ledge 8" Center Faucet

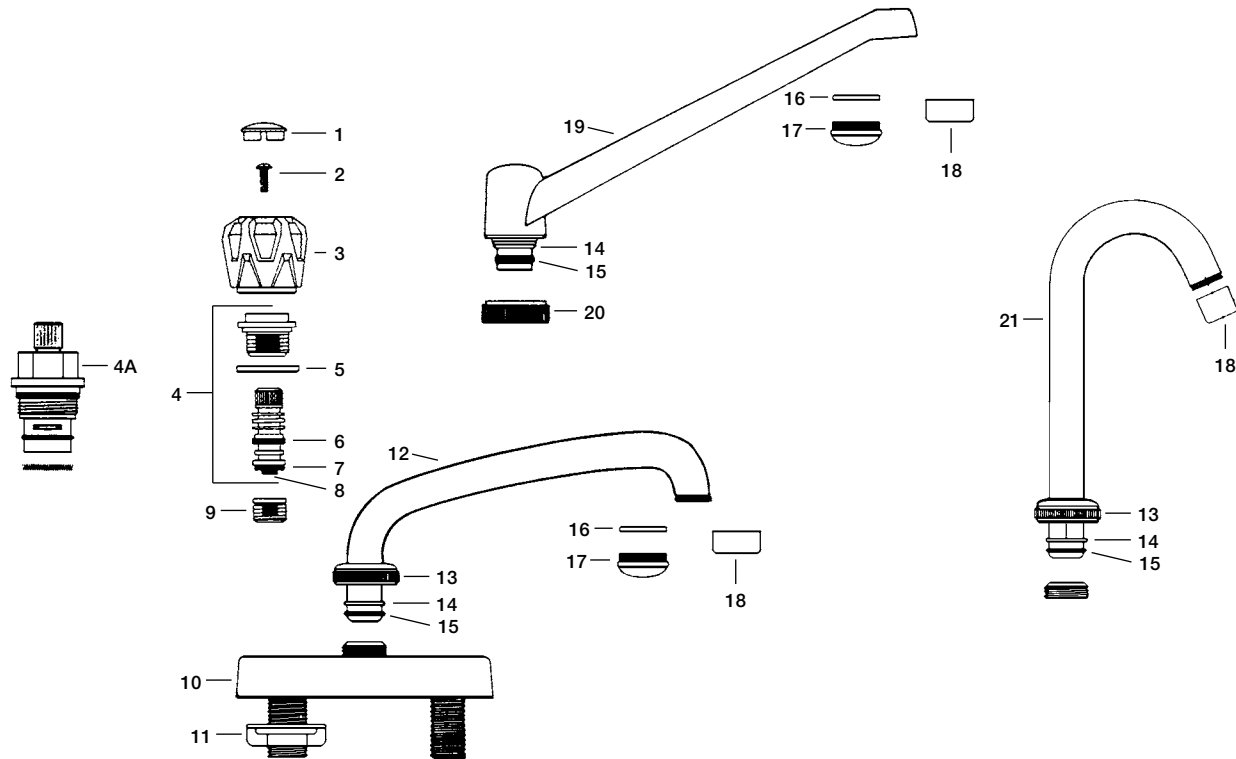


Item No.	Stock No.	OEM Ref No.	Description
1	—	40-16	Index Button <i>Clear Hot</i> (5 per Pak)
	—	—	Index Button <i>Clear Cold</i> (5 per Pak)
2	35647B	40-2H	Handle Screw
3	88170	—	(1) Pair Acrylic Handles <i>Clear</i> with Screws & Buttons
4	17451E	41-5-0	Stem & Bonnet Assembly
4A	18593B	P 82	Washerless Plastic Stem
5	35744B	40-3-1	Bonnet Washer
6	35762B	40-6	Stem O-Ring
7	35062B	40-3-2	Seat Washer
8	—	40-2 S	Seat Washer Screw
9	30078E	40-1	Renu Seat for Lavatory Faucet
10	—	50-12-PC	Shield
11	73113B	40-11	1/2" Plastic Locknut
12	—	52-78-0	8" Decorative Spout
13	—	50-7-21	Spout Lock Ring
14	35728B	50-7-6	O-Ring
15	—	P52-11	Spout Nut
16	—	50-13-3	End Trim Washer
17	—	6-50-13-0	End Trim Assembly
18	—	50-19 C	Aerator
19	—	50-78-0	8" Tubular Spout
20	—	P50-11C	Spout Nut
21	—	150-23	Upper Diverter Valve
	—	150-24	Lower Diverter Valve
22	80762	150-22	Spray Head & Hose Assembly <i>Black</i>
23	86948	150-25	Spray Hose Guide <i>Chrome</i>

PHOENIX

BAR FAUCET

Ledge 4" Center Faucet



Item No.	Stock No.	OEM Ref No.	Description
1	—	40-16	Index Button <i>Clear Hot</i> (5 per Pak)
	—	—	Index Button <i>Clear Cold</i> (5 per Pak)
2	35647B	40-2H	Handle Screw
3	88170	—	(1) Pair Acrylic Handles <i>Clear</i> with Screws & Buttons
4	17451E	41-5-0	Stem & Bonnet Assembly
4A	18593B	P 82	Washerless Plastic Stem
5	35744B	40-3-1	Bonnet Washer
6	35762B	40-6	Stem O-Ring
7	35062B	40-3-2	Seat Washer
8	—	40-2 S	Seat Washer Screw
9	30078E	40-1	Renu Seat for Lavatory Faucet
10	—	50-12-PC	Shield
11	73113B	40-11	1/2" Plastic Locknut
12	—	50-78-0	8" Tubular Spout
13	—	P50-11 C	Spout Nut
14	—	50-7-21 P	Spout Lock Ring
15	35728B	50-7-6	O-Ring Spout
16	—	50-13-3	End Trim Washer
17	—	6-50-13-0	End Trim Assembly
18	—	50-19 C	Aerator
19	—	52-78-0	8" Decorative Spout
20	—	P 52-11 C	Spout Nut
21	—	56-76-0	6" Bar Spout
	—	56-79-0	9" Bar Spout

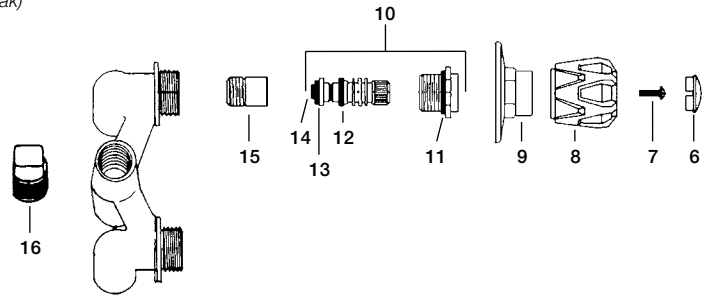
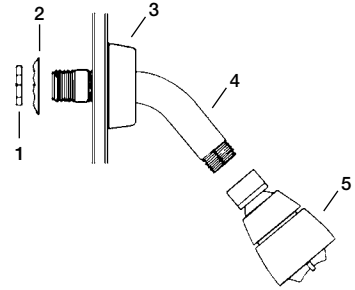
REPAIRS FOR

PHOENIX

SHOWER FIXTURE

Series 30 Shower Valve with 3/8" Centers

Item No.	Stock No.	OEM Ref No.	Description
1	73106B	40-11-1	1/2" Zamak Locknut
2	36476B	40-18	1/2" Metal Crimp Washer
3	—	60-10-8 C	Shower Arm Flange
4	—	60-10 C	Shower Arm (P801 Only)
5	—	34-1/2"	Showerhead 1/2"
6	—	40-16	Index Button <i>Clear Hot (5 per Pak)</i> Index Button <i>Clear Cold (5 per Pak)</i>
7	35647B	40-2H	Handle Screw
8	88170	—	(1) Pair Acrylic Handles <i>Clear</i> with Screws & Buttons
	88171	—	Diverter Acrylic Handle <i>Clear</i>
9	—	30-8 C	Wall Flange
10	—	61-5-0	Stem & Bonnet Assembly
11	—	60-5-6	O-Ring Bonnet
12	35762B	40-6	Stem O-Ring
13	35062B	40-3-2	00 Flat Bibb Washer
14	—	40-2 S	Seat Washer Screw
15	—	30-1	Renu Seat
16	54067BE	30-2	1/2" Plug



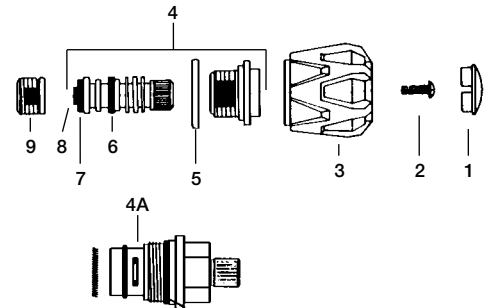
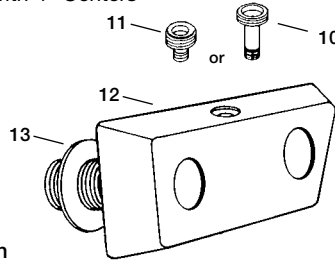
REPAIRS FOR

PHOENIX

SHOWER FIXTURE

Series 412V, 412D, P402 Exposed Shower Fitting with 4" Centers

Item No.	Stock No.	OEM Ref No.	Description
1	—	40-16	Index Button <i>Clear Hot (5 per Pak)</i> Index Button <i>Clear Cold (5 per Pak)</i>
2	35647B	40-2H	Handle Screw
3	88170	—	(1) Pair Acrylic Handles <i>Clear</i> with Screws & Buttons
4	17451E	41-5-0	Stem & Bonnet Assembly
4A	18593B	P 82	Washerless Plastic Stem
5	35744B	40-3-1	Bonnet Washer
6	35762B	40-6	Stem O-Ring
7	35062B	40-3-2	Seat Washer
8	—	40-2 S	Seat Screw Washer
9	30078E	40-1	Renu Seat <i>Brass Underbody</i>
10	—	35-13	"D" Spud <i>Brass Underbody</i>
	—	46-13	"D" Spud <i>Celcon Underbody</i>
11	—	412-13	Vacuum Breaker
12	—	412-12PC	Shield <i>Chrome Plated</i>
13	73113B	40-11	1/2" Plastic Locknut
	—	35-11	3/4" Metal Locknut
	—	35-18	3/4" Crowsfoot Washer <i>Brass Underbody</i>



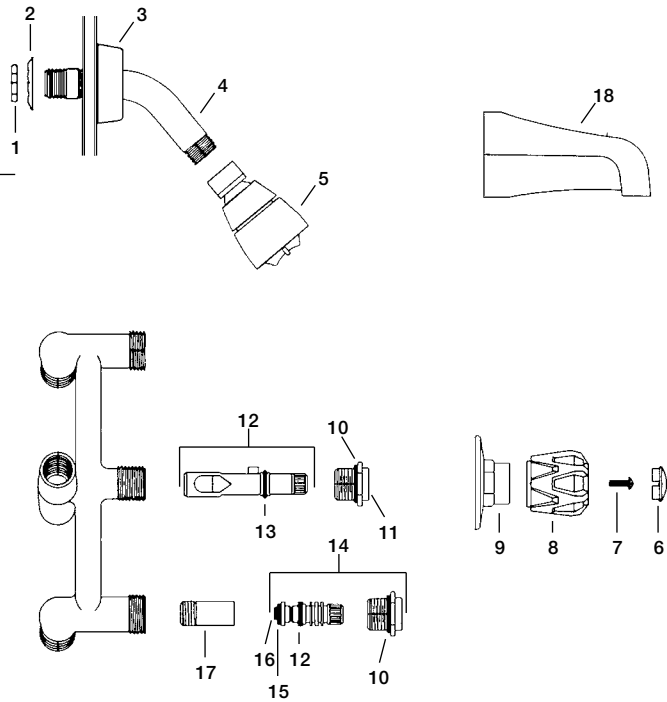
REPAIRS FOR

PHOENIX

BATH FIXTURE

Series 601 Three-Valve Diverter with 8" Centers

Item No.	Stock No.	OEM Ref No.	Description
1	73106B	40-11-1	1/2" Zamak Locknut
2	36476B	40-18	1/2" Metal Crimp Washer
3	—	60-10-8 C	Shower Arm Flange
4	—	60-10 C	Shower Arm (P801 Only)
5	—	34-1/2"	Showerhead 1/2"
6	—	40-16	Index Button <i>Clear Hot (5 per Pak)</i> Index Button <i>Clear Cold (5 per Pak)</i> Index Button <i>Clear (5 per Pak)</i>
7	35647B	40-2	Handle Screw
8	88170	—	(1) Pair Acrylic Handles <i>Clear</i> with Screws & Buttons
	88171	—	Diverter Acrylic Handle <i>Clear</i>
9	—	60-8 C	Wall Flange <i>Chrome Plated</i>
10	35784B	60-5-6	Bonnet O-Ring
11	—	60-5 D	Diverter Bonnet
12	35762B	40-6	Stem O-Ring
13	—	60-4-0	Diverter Stem Assembly
14	—	61-5-0	Stem & Bonnet Assembly
15	35062B	40-3-2	00 Flat Bibb Washer
16	—	40-2 S	Seat Washer Screw
17	—	60-1	Renu Seat
18	80764	60-7 C	Tube Spout



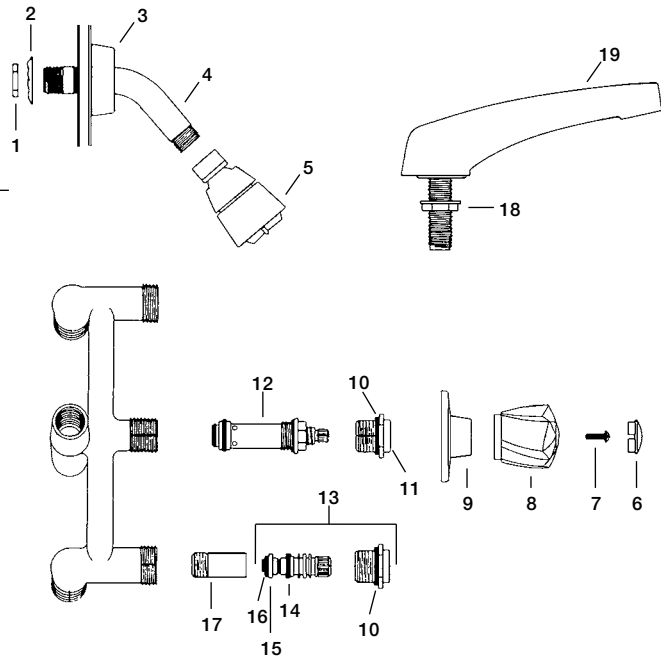
REPAIRS FOR

PHOENIX

BATH FIXTURE

Series 639 Garden Tub Diverter

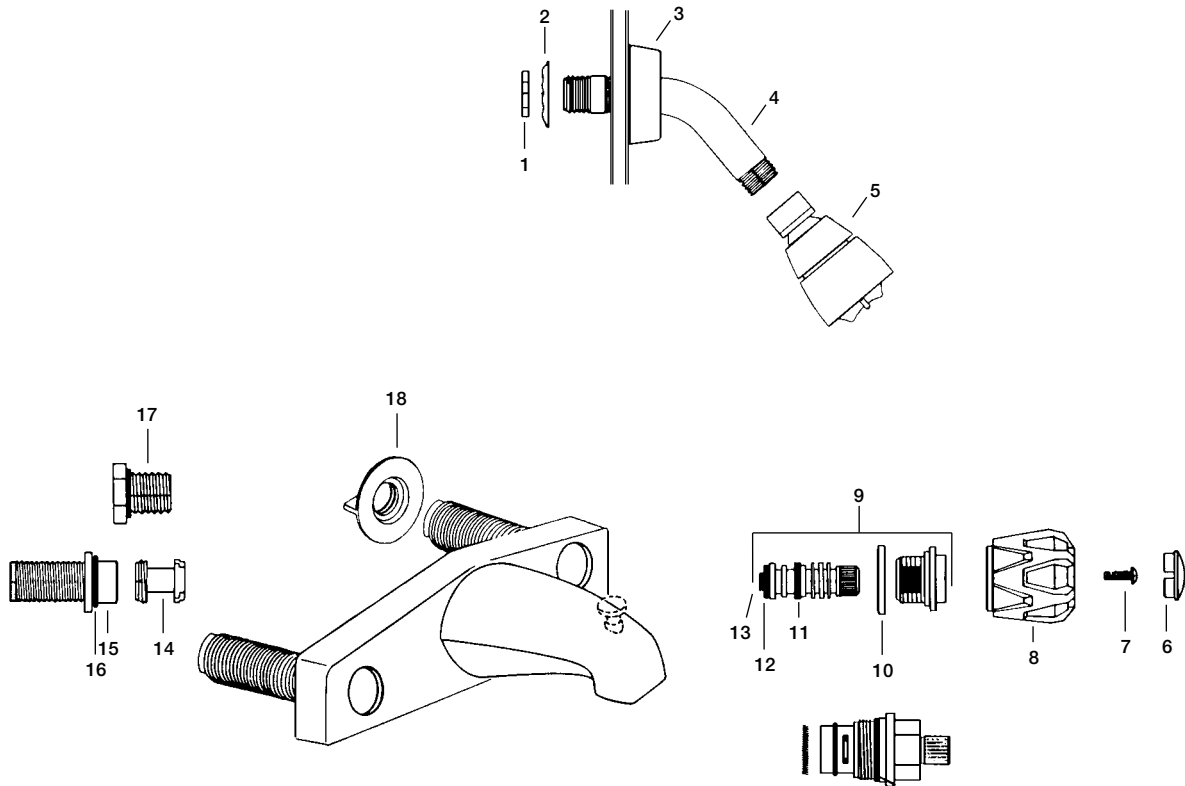
Item No.	Stock No.	OEM Ref No.	Description
1	73106B	40-11-1	1/2" Zamak Locknut
2	36476B	40-18	1/2" Metal Crimp Washer
3	—	60-10-8 C	Shower Arm Flange
4	—	60-10 C	Shower Arm (P801 Only)
5	—	34-1/2"	Showerhead 1/2"
6	—	40-16	Index Button <i>Clear Hot (5 per Pak)</i> Index Button <i>Clear Cold (5 per Pak)</i> Index Button <i>Clear 5 per Pak)</i>
7	35647B	40-2	Handle Screw
8	88170	—	(1) Pair Acrylic Handles <i>Clear</i> with Screws & Buttons
	88171	—	Diverter Acrylic Handle <i>Clear</i>
9	—	38-8 C	Flange <i>Chrome Plated</i>
10	35784B	60-5-6	Bonnet O-Ring
11	—	60-5 D	Diverter Bonnet
12	—	639-5-0	Diverter Assembly
13	—	61-5-0	Stem & Bonnet Assembly
14	35762B	40-6	Stem O-Ring
15	35062B	40-3-2	00 Flat Bibb Washer
16	—	40-2 S	Seat Washer Screw
17	—	60-1	Renu Seat
18	—	39-11	1/2" Metal Flanged Locknut
19	—	39-7 C	Garden Tub Spout



PHOENIX

BATH FIXTURE

Series P 801 Exposed 2-Valve Diverter & Tub Filler with 8" Centers

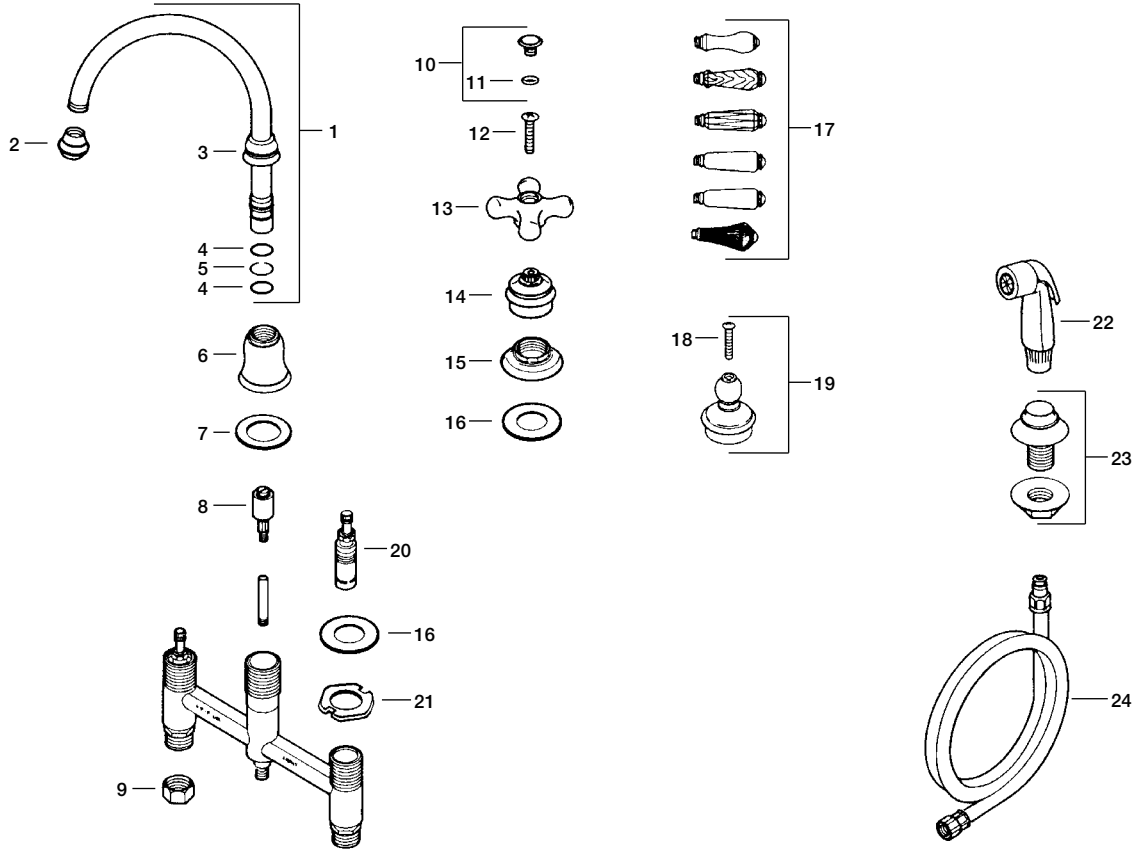


Item No.	Stock No.	OEM Ref No.	Description
1	73106B	40-11-1	1/2" Zamak Locknut
2	36476B	40-18	1/2" Metal Crimp Washer
3	—	60-10-8 C	Shower Arm Flange
4	—	60-10 C	Shower Arm (P801 Only)
5	—	34-1/2"	Showerhead 1/2"
6	—	40-16	Index Button <i>Clear Hot</i> (5 per Pak)
	—	—	Index Button <i>Clear Cold</i> (5 per Pak)
	—	—	Index Button <i>Clear</i> (5 per Pak)
7	35647B	40-2	Handle Screw
8	88170	—	(1) Pair Acrylic Handles <i>Clear</i> with Screws & Buttons
9	17451E	41-5-0	Stem & Bonnet Assembly
10	35744B	40-3-1	Bonnet Washer
11	35762B	40-6	Stem O-Ring
12	35062B	40-3-2	Seat Washer
13	—	40-2S	Seat Washer Screw
14	—	70-2	Diverter Insert (P801 Only)
15	—	801-26L	Shower Nipple (P801 Only)
16	—	801-26-6	O-Ring, Underbody (P801 Only)
17	—	861-2-0	1/2" Plug (P801 Only)
18	73113B	40-11	1/2" Plastic Locknut

PRICE PFISTER

KITCHEN FAUCET

Series H31 8" Concealed Deck



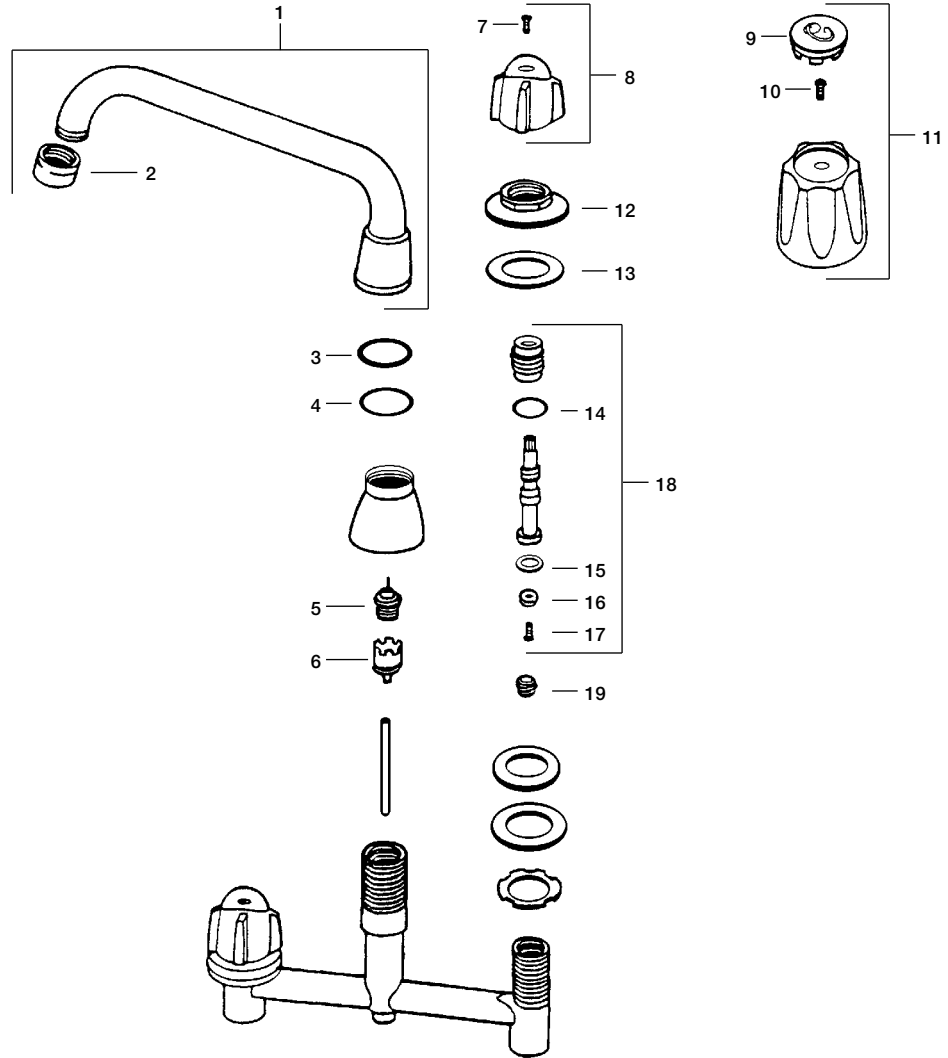
Item No.	Stock No.	OEM Ref No.	Description
1	—	920-410	Classic High-Arc Spout Assembly
2	—	941-471	Flo-Down Aerator
3	—	962-300	Spout Nut
4	35730B	950-600	O-Ring
5	—	950-890	Split Ring
6	—	960-450	Spout Hub
7	—	949-370	Hub Washer
8	—	951-010	Diverter
9	—	931-620	Nut
10	—	941-475A	Index Button Cold <i>Chrome</i>
	—	941-476A	Index Button Hot <i>Chrome</i>
	—	941-475P	Index Button Cold <i>Polished Brass</i>
	—	941-476P	Index Button Hot <i>Polished Brass</i>
11	35723B	950-895	Index Button O-Ring
12	35654B	971-990	Cross Handle Screw
13	—	S15-LIBC	Cross Handle <i>Brass/Chrome Trim</i>
	—	S15-LIPO	Cross Handle <i>Porcelain/Chrome Trim</i>
	—	S15-LIPB	Cross Handle <i>Brass/Polished Brass Trim</i>
14	—	940-941	Large Hub
15	—	931-710A	Flange
16	—	950-200	Washer
17	—	S15-HOB	Lever Handle <i>Brass</i>
	—	S15-HOW	Lever Handle <i>Oak</i>
	—	S15-HOA	Lever Handle <i>Acrylic</i>
	—	S15-HOP	Lever Handle <i>White Porcelain</i>
	—	S15-HAP	Lever Handle <i>Almond Porcelain</i>
	—	S15-HLC	Lever Handle <i>Crystal</i>
18	—	971-960	Handle Hub Screw
19	—	940-770	Handle Hub Assembly

Item No.	Stock No.	OEM Ref No.	Description
20	18591E	910-830	Left Hand Cartridge
	18592E	910-835	Right Hand Cartridge
21	19669	931-600	Locknut
22	80760	951-100	Spray Head
23	86948	951-091	Hose Guide Assembly
24	80761	951-170	48" Spray Hose with Union Connection

PRICE PFISTER

KITCHEN FAUCET

Series *Contempera* (Concealed) Deck

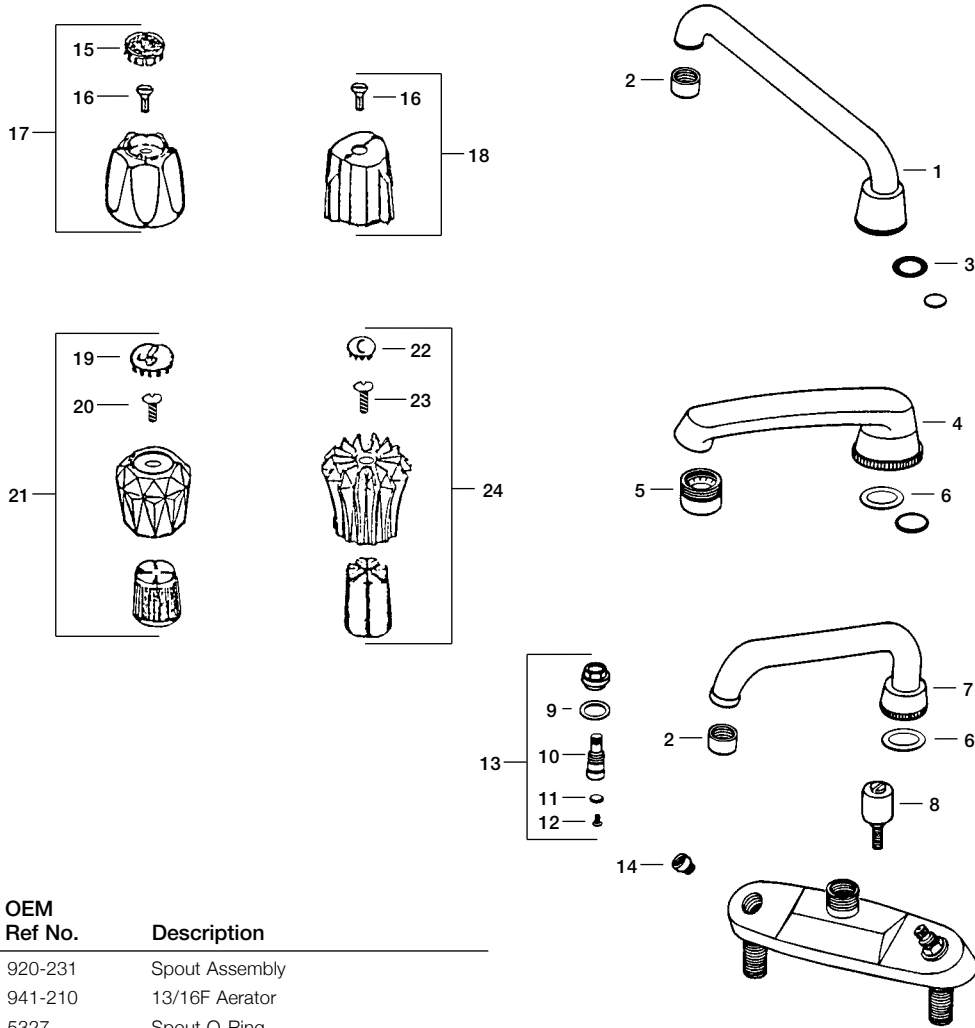


Item No.	Stock No.	OEM Ref No.	Description
1	—	920-204	Spout Assembly
2	10481	941-210	15/16F Aerator
3	—	—	Snap Ring
4	35728B	931-600	Spout O-Ring
5	—	950-010	Spray Diverter (Upper)
6	—	950-010	Spray Diverter (Lower)
7	35639B	—	Handle Screw
8	88385	—	(1) Pair Handles
9	25737B	137H	Index Button <i>Hot</i>
	25738B	138C	Index Button <i>Cold</i>
10	35646B	971-600A	Handle Screw
11	80456	—	(1) Pair Handles
12	—	91-682	Escutcheon
13	—	950-200	Flange Gasket
14	35573B	950-190	Cap Thread Gasket
15	35725B	950-500	Stem O-Ring
16	35062B	950-150	00 Flat Bibb Washer
17	35153B	—	Bibb Screw
18	—	—	Stem with Bonnet RH Hot & Cold
19	30037B	—	Bibb Seat <i>Brass</i>
	30038E	970-510	Bibb Seat <i>Brass</i>

PRICE PFISTER

KITCHEN FAUCET

Series *Contessa & Verve 35* (Slant Body)



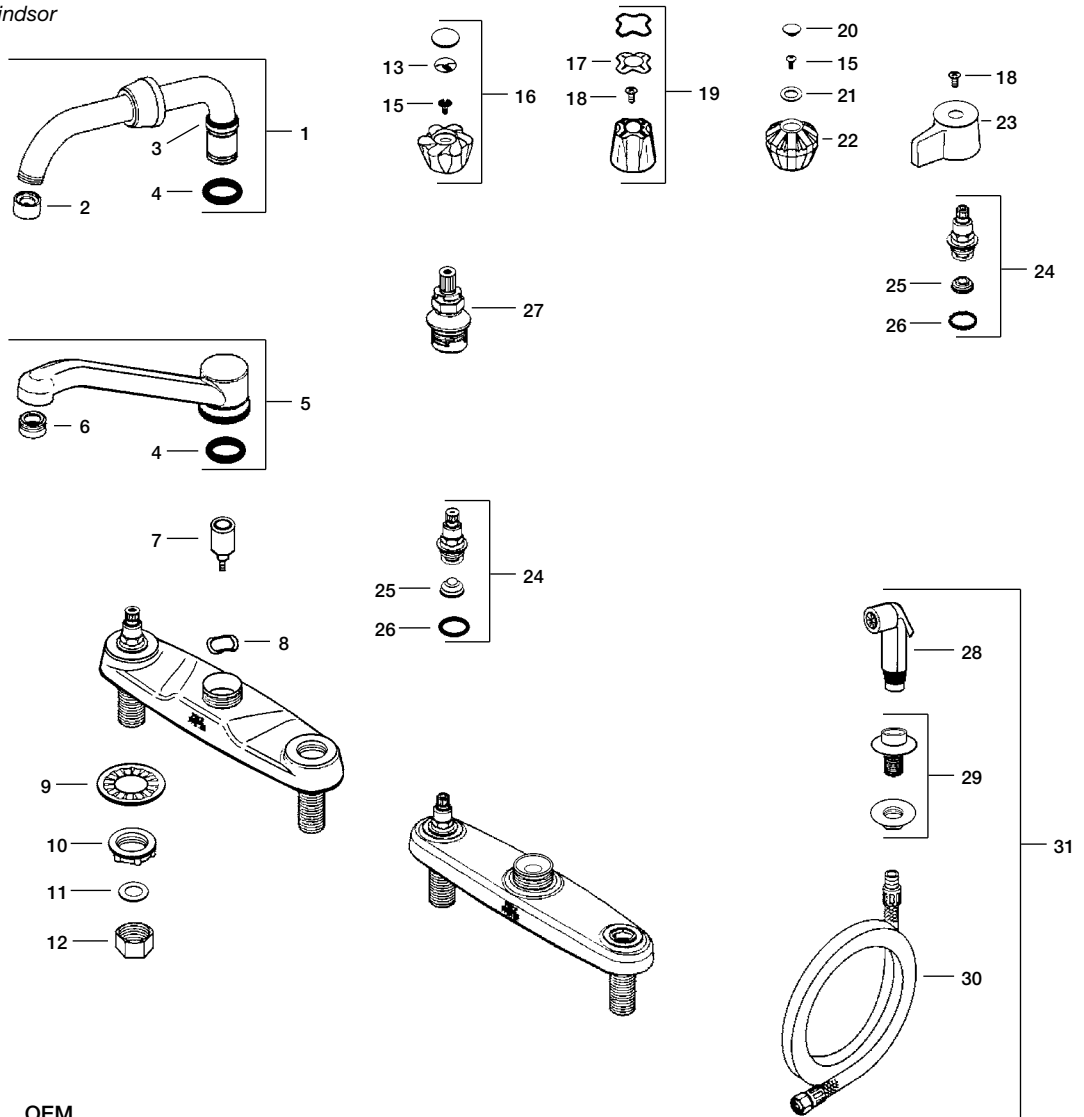
Item No.	Stock No.	OEM Ref No.	Description
1	—	920-231	Spout Assembly
2	10481	941-210	13/16F Aerator
3	35728B	5327	Spout O-Ring
4	—	920-242	Spout Assembly
5	10483	941-200A	15/16M Aerator
6	35730B	950-600	Spout O-Ring
7	—	920-206	Spout Assembly
8	—	403-3	Spray Diverter
9	35564B	95-170	Cap Thread Gasket
10	35725B	950-500	Stem O-Ring
11	35062B	950-150	00 Flat Bibb Washer
12	—	971-560	Bibb Screw
13	15625E	910-392	Stem with Bonnet RH Hot & Cold
14	30038E	970-510	Bibb Seat <i>Brass</i>
15	25737B	941-330	Index Button <i>Hot</i>
	25738B	941-320	Index Button <i>Cold</i>
16	35639B	971-600A	Handle Screw
17	80456	941-322A	(1) Pair Handles OEM Style
18	88385	—	(1) Pair Handles OEM Style
19	—	941-120A	Index Button <i>Hot</i>
	—	941-130A	Index Button <i>Cold</i>
20	—	—	Handle Screw
21	88165	—	(1) Pair Handles OEM Style
22	25703B	941-070A	Index Button <i>Hot</i>
	25704B	941-060A	Index Button <i>Cold</i>
23	35154B	971-650	Handle Screw
24	88306	—	(1) Pair Handles OEM Style <i>Clear Acrylic</i>

Stock No.	OEM Ref No.	Description
124164E	—	Stem Repair Kit
	<i>Contains:</i>	(1) 35062 Washer
		(1) 30038 Seat
		(1) 35725 O-Ring
		(1) 35153 Bibb Screw
		(1) 35564 Gasket

PRICE PFISTER

KITCHEN FAUCET

Series H35 Verve & Windsor



Item No.	Stock No.	OEM Ref No.	Description
1	—	920-340A	Spout Assembly
2	10481	—	13/16F Aerator
3	—	950-361	Spout Washer
4	35780B	950-635	Spout O-Ring
5	—	920-350A	Spout Assembly
6	10483	941-034A	15/16M Aerator
7	—	951-010	Spray Diverter
8	—	950-135	Wave Washer
9	36476B	950-250	Basin Cock Washer
10	73114B	931-610	Locknut
11	36612B	950-580	Friction Ring
12	—	931-620	Supply Nut
13	—	949-403A	Handle Insert (Red) <i>Hot</i>
	—	949-406A	Handle Insert (Blue) <i>Cold</i>
14	—	941-403A	Index Button <i>Hot</i>
	—	941-406A	Index Button <i>Cold</i>
15	35646B	971-860A	Handle Screw
16	88989	—	(1) Pair Handle Assemblies
17	—	949-303	Handle Insert (Red) <i>Hot</i>
	—	949-306	Handle Insert (Blue) <i>Cold</i>
18	—	971-600A	Handle Screw (10 per Pak)
19	—	—	(1) Pair Handle Assemblies

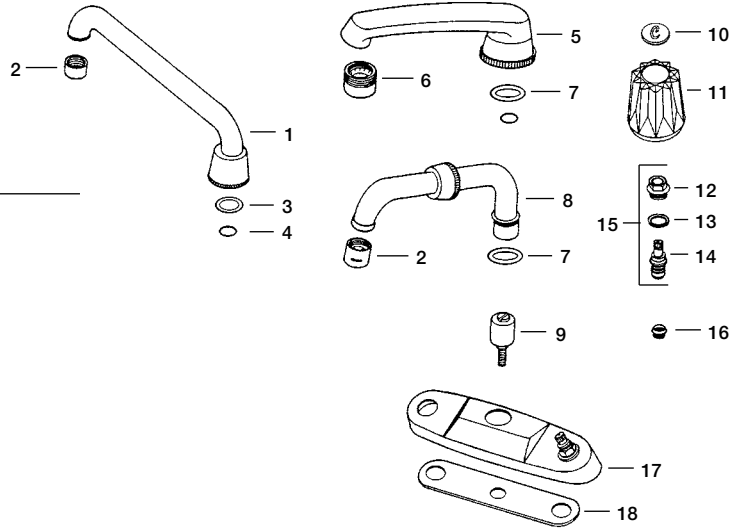
Item No.	Stock No.	OEM Ref No.	Description
20	—	941-814A	Index Button
21	—	949-814	Handle Insert (Red) <i>Hot</i>
	—	949-914	Handle Insert (Blue) <i>Cold</i>
22	—	940-351	Round Handle <i>Acrylic</i>
23	—	940-750	Blade Handle <i>Hot</i>
	—	940-760	Blade Handle <i>Cold</i>
24	16110E	910-681	Stem w/Bonnet R.H. Hot
	18533E	910-691	Stem w/Bonnet L.H. Cold
25	80359	949-360	Hydroseal Seat Washer
26	35564B	950-170	Cap Thread Gasket
27	09330B	910-900	Ceramic Disc Stem w/Bonnet R.H. Hot
28	80760	951-100	Spray Head
29	86948	951-091	Spray Hose Guide Assembly
30	80761	951-170	Spray Hose
31	80762	—	Spray Hose & Head Assembly

REPAIRS FOR

PRICE PFISTER

KITCHEN FAUCET

Series Windsor



Item No.	Stock No.	OEM Ref No.	Description
1	—	68	Spout Assembly
2	10481	941-210A	13/16F Aerator
3	35728B	—	Spout O-Ring
4	—	—	Snap Ring
5	—	920-242	Spout Assembly
6	10483	941-200A	15/16M Aerator
7	35730B	950-600	Spout O-Ring
8	—	920-206	Spout Assembly
9	—	941-010	Spray Diverter
10	—	941-330A	Index Button <i>Hot</i>
	—	941-320A	Index Button <i>Cold</i>
	35646B	971-660	Handle Screw <i>Not Illustrated</i>
11	88305	—	(1) Pair Handles
12	35576B	950-170	Cap Thread Gasket
13	35725B	950-500	Stem O-Ring
14	80359	950-150	Seat Washer
15	16110E	910-681	Stem with Bonnet R.H. Hot or Cold
16	30038E	970-510	Brass Bibb Seat
17	—	961-070	Escutcheon
18	—	974-320	Escutcheon Gasket
	—	974-050	Bottom Plate <i>Not Illustrated</i>

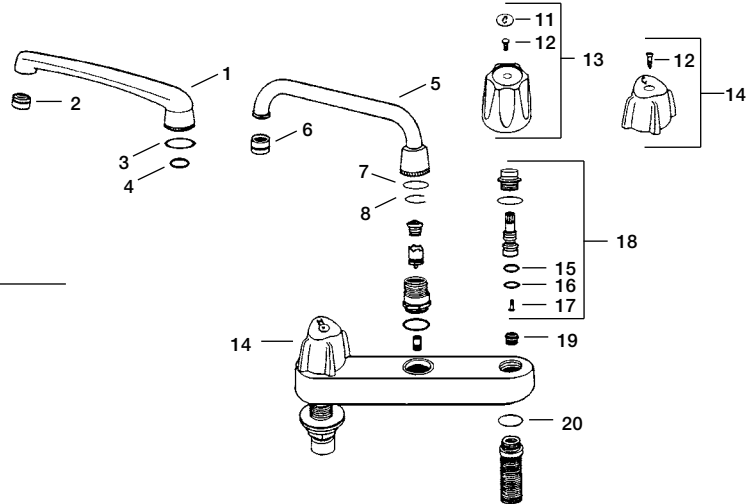
Stock No.	OEM Ref No.	Description
124164E	—	Stem Repair Kit
	<i>Contains:</i>	(1) 35062 Washer
		(1) 30038 Seat
		(1) 35725 O-Ring
		(1) 35153 Bibb Screw
		(1) 35564 Gasket

REPAIRS FOR

PRICE PFISTER

KITCHEN FAUCET

Series Contessa & Verve 39 (Cast Body)



Item No.	Stock No.	OEM Ref No.	Description
1	—	962-050	Spout Pack
2	10483	941-241	15/16M Aerator
3	35729B	950-600	Spout O-Ring
4	35730B	931-600	Spout O-Ring
5	—	962-030	Spout Pack
6	10481	941-210	15/16F Aerator
7	—	5326	Snap Ring
8	35728B	5327	O-Ring
9	—	951-010	Spray Diverter (<i>Upper</i>)
10	—	951-010	Spray Diverter (<i>Lower</i>)
11	25737B	941-330	Index Button <i>Hot</i>
	25738B	941-320	Index Button <i>Cold</i>
12	35639B	971-600A	Handle Screw
13	80456	941-322A	(1) Pair Handles OEM Style
14	88385	—	(1) Pair Handles OEM Style
15	35725B	950-500	O-Ring
16	35062B	950-150	00 Flat Bibb Washer
17	35154B	971-560	Bibb Screw
18	15624E	910-402	Stem with Bonnet R.H. Hot & Cold

Item No.	Stock No.	OEM Ref No.	Description
19	30038E	970-510	Bibb Seat <i>Brass</i>
20	35564B	950-170	Cap Thread Gasket
	124164E	—	Stem Repair Kit
	<i>Contains:</i>	(1) 35062 Washer	
		(1) 30038 Seat	
		(1) 35725 O-Ring	
		(1) 35153 Bibb Screw	
		(1) 35564 Gasket	

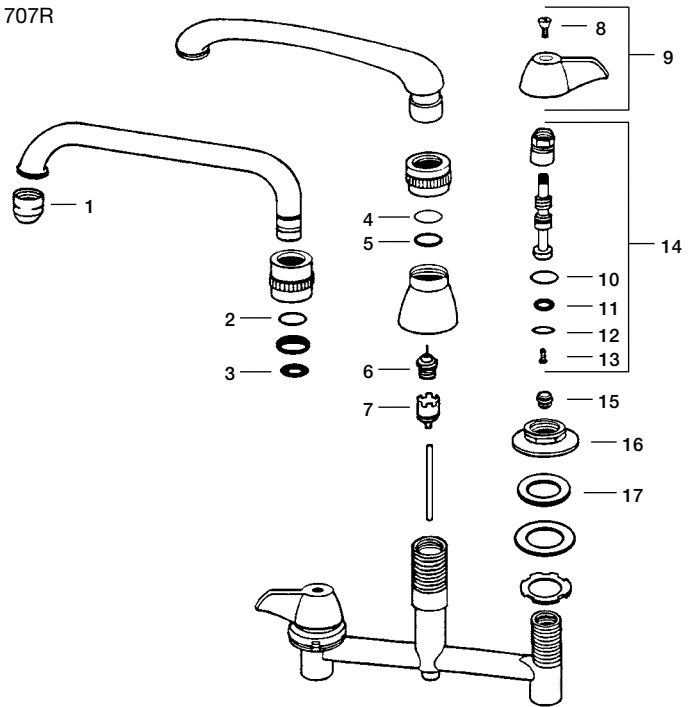
REPAIRS FOR

PRICE PFISTER

KITCHEN FAUCET

Series *Crown Jewel* 703A, 704A, 705A, 707A, 703R, 704R, 705R, 707R

Item No.	Stock No.	OEM Ref No.	Description
1	10481	941-210	15/16F Aerator
2	—	—	Snap Ring
3	35728B	931-600	Spout O-Ring
4	—	5312	Swing Spout Ring
5	35730B	5313	Spout O-Ring
6	—	405-2	Spray Diverter (<i>Upper</i>)
7	—	405-LS	Spray Diverter (<i>Lower</i>)
8	35739B	971-600A	Handle Screw
9	88384	—	(1) Pair Handles OEM Style
10	35573B	950-190	Cap Thread Gasket
11	35725B	950-500	Stem O-Ring
12	35062B	950-150	00 Flat Bibb Washer
13	35153B	16	Bibb Screw
14	—	—	Stem with Bonnet RH Hot Stem with Bonnet LH Cold
15	30038E	—	Bibb Seat <i>Brass</i>
16	—	—	Flange
17	—	950-200	Washer



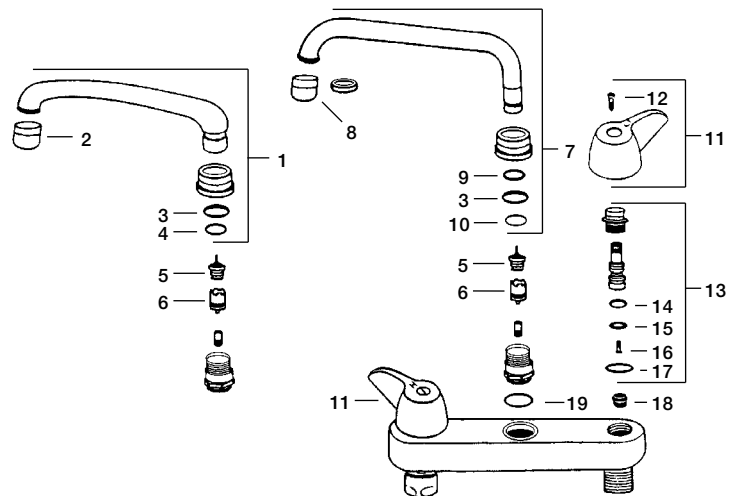
REPAIRS FOR

PRICE PFISTER

KITCHEN FAUCET

Series *Crown Jewel* 750, 754, 780, 784, 758, 762, 788, 792, 1030-A

Item No.	Stock No.	OEM Ref No.	Description
1	—	962-040	Spout Assembly
2	10483	941-241	15/16M Aerator
3	—	5312	Snap Ring
4	35730B	5313	O-Ring
5	—	04405-01	Upper Diverter
6	—	04244-01	Lower Diverter
7	—	920-183	Spout Assembly
8	10481	941-210	15/16F Aerator
9	—	950-220	Snap Ring
10	35728B	950-230	O-Ring
11	88384	—	(1) Pair Handles OEM Style
12	35639B	—	Handle Screw
13	15287E	—	Stem with Bonnet RH Hot
	15288E	—	Stem with Bonnet LH Cold
14	35725B	950-500	O-Ring
15	35062B	950-150	00 Flat Bibb Washer
16	35153B	—	Bibb Screw
17	35564B	—	Cap Thread Gasket
18	30038E	—	Bibb Seat <i>Brass</i>
19	35560B	—	Cap Thread Gasket
—	—	951-010	Spray Diverter <i>Not Illustrated</i>

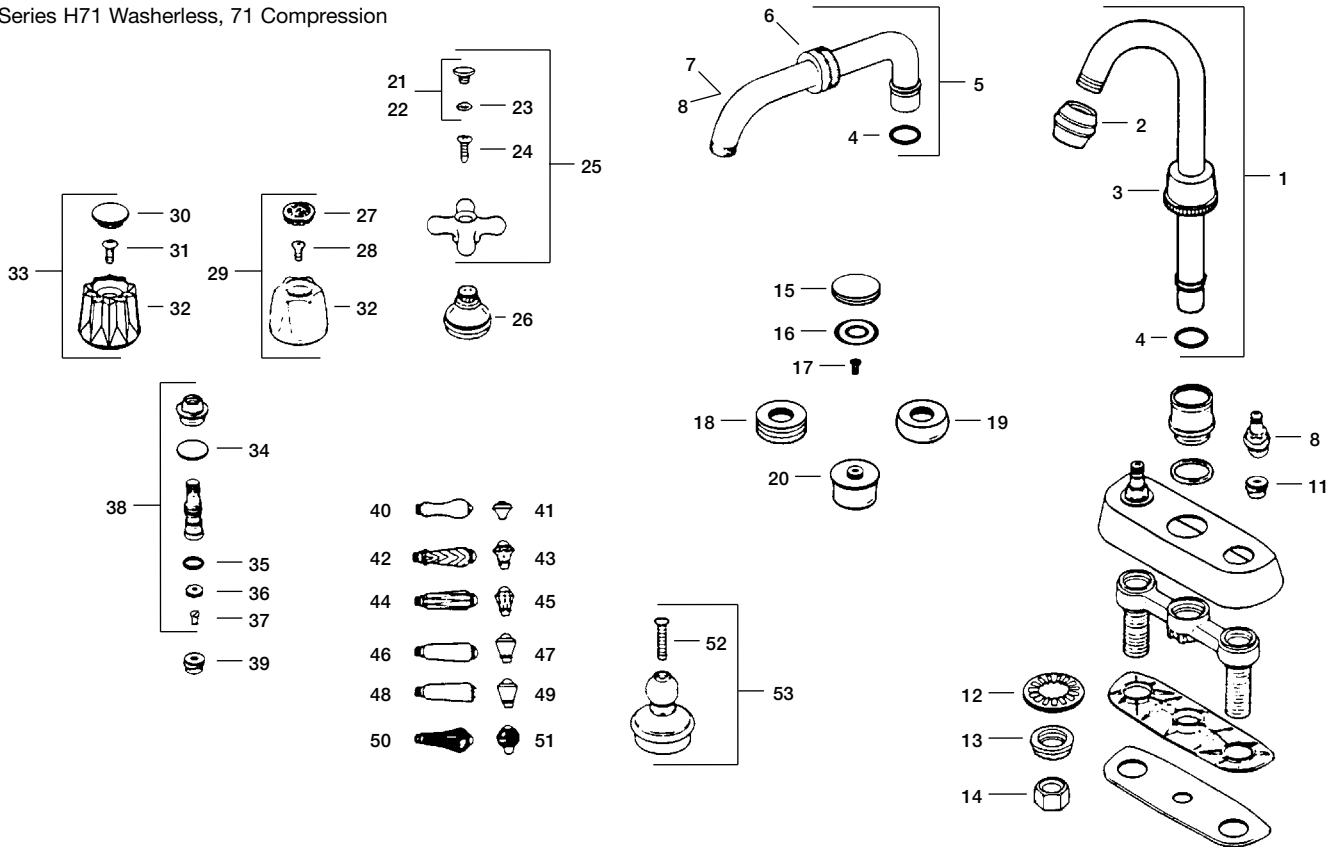


Stock No.	OEM Ref No.	Description
124164E	—	Stem Repair Kit
	<i>Contains:</i>	(1) 35062 Washer
		(1) 30038 Seat
		(1) 35725 O-Ring
		(1) 35153 Bibb Screw
		(1) 35564 Gasket

PRICE PFISTER

BAR FAUCET

Series H71 Washerless, 71 Compression



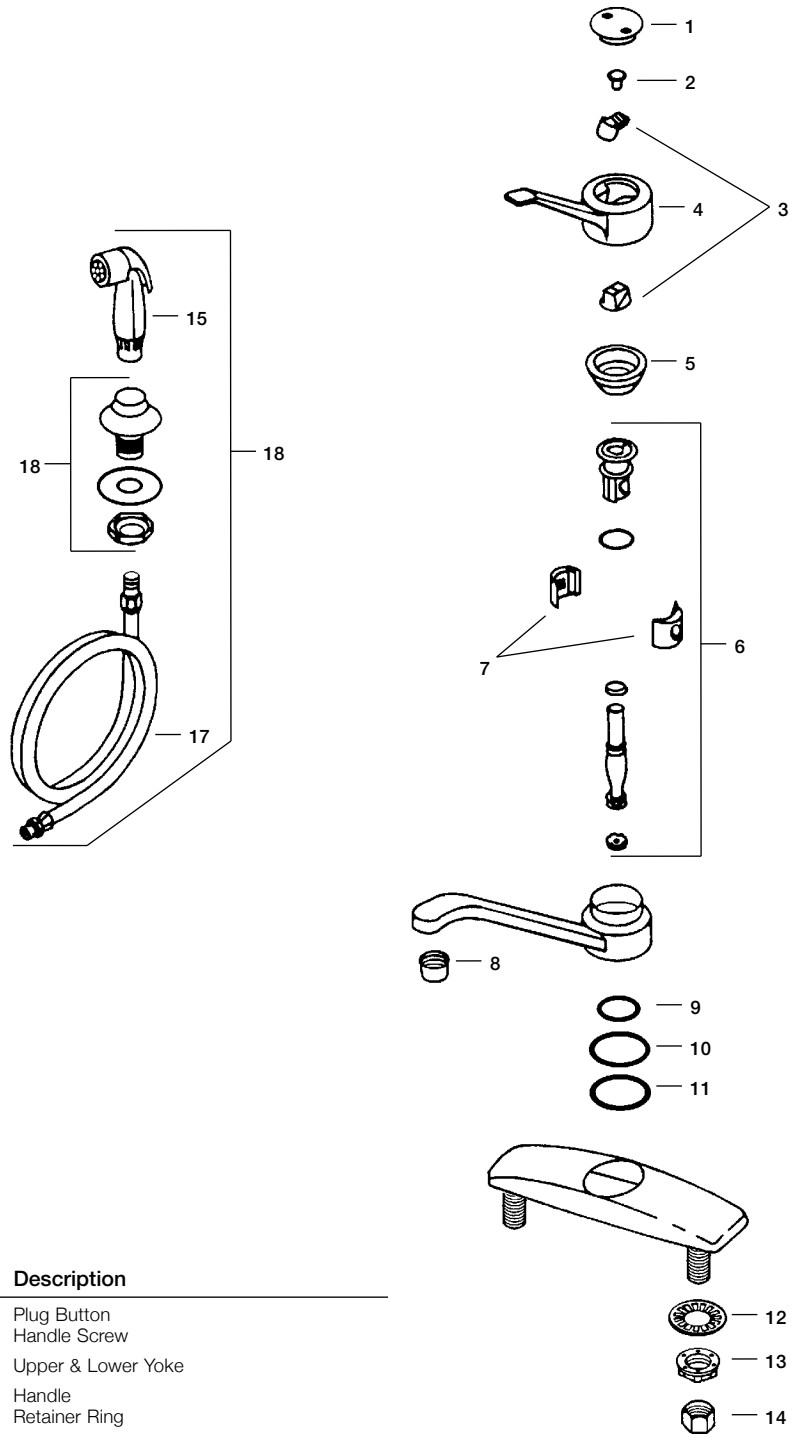
Item No.	Stock No.	OEM Ref No.	Description
1	—	920-192	Goose Neck Spout Assembly
2	—	941-471	Flo-Down Aerator
3	—	962-280	Spout Nut
4	35731B	950-600	O-Ring
5	—	920-204	8" Spout Assembly
6	—	962-120	Spout Nut
7	—	920-173A	6" Spout
8	—	920-204	8" Spout
9	16110E	910-681	Right Hand Stem
10	18533E	910-961	Left Hand Stem
11	—	970-790	Seat
12	36476B	950-250	Friction Washer
13	73113B	931-610	Locknut
14	—	931-620	Supply Nut
15	—	941-012	Button
16	—	949-017	Washer
17	—	971-501	Screw
18	—	950-501	Grooved Ring
19	—	950-502	Radius Ring
20	—	940-011	Handle Hub
21	—	941-475A	Index Button Cold <i>Chrome</i>
—	—	941-476A	Index Button Hot <i>Chrome</i>
22	—	941-475P	Index Button Cold <i>Polished Brass</i>
—	—	941-476P	Index Button Hot <i>Polished Brass</i>
23	35724B	950-895	O-Ring
24	35652B	971-600A	Handle Screw
25	—	S159-SIBC	Cross Handle <i>Brass/Chrome Trim</i>
—	—	S15-SIBP	Cross Handle <i>Brass/Polished Brass Trim</i>
—	—	S15-SIPO	Cross Handle <i>Porcelain/Chrome Trim</i>
26	—	940-940	Small Hub
27	25737B	941-330	Index Button <i>Hot</i>
—	25738B	941-320	Index Button <i>Cold</i>
28	35639B	971-600A	Handle Screw
29	80456	941-322A	(1) Pair Handles <i>OEM Style</i>

Item No.	Stock No.	OEM Ref No.	Description
30	—	941-300	Index Button <i>Hot</i>
—	—	941-320	Index Button <i>Cold</i>
31	35646B	971-660	Handle Screw
32	—	—	Handle
33	88305	—	(1) Pair Handles
34	35564B	950-170	Nylon Gasket
35	35725B	950-500	O-Ring
36	35064B	950-150	1/4 Flat Bibb Washer
37	—	971-560	Screw
38	15624E	910-402	Stem & Bonnet
39	30038E	970-510	Seat
40	—	S15-HOB	Lever Handle <i>Brass</i>
41	—	S15-KOB	Pull-Up Knob <i>Brass</i>
42	—	S15-HOW	Lever Handle <i>Oak</i>
43	—	S15-KOW	Pull-Up Knob <i>Oak</i>
44	—	S15-HOA	Lever Handle <i>Acrylic</i>
45	—	S15-KOA	Pull-Up Knob <i>Acrylic</i>
46	—	S15-HOP	Lever Handle <i>White Porcelain</i>
—	—	S15-KOP	Pull-Up Knob <i>White Porcelain</i>
47	—	S15-HAP	Lever Handle <i>Almond Porcelain</i>
—	—	S15-KAP	Pull-Up Knob <i>Almond Porcelain</i>
48	—	S15-HLC	Lever Handle <i>Genuine</i>
—	—	S15-KLC	Pull Up Knob <i>Genuine</i>
49	—	971-960	Screw
50	—	940-770	Handle Hub & Screw
51	—	—	—
52	—	—	—
53	—	—	—

PRICE PFISTER

KITCHEN FAUCET

Series Avante 33

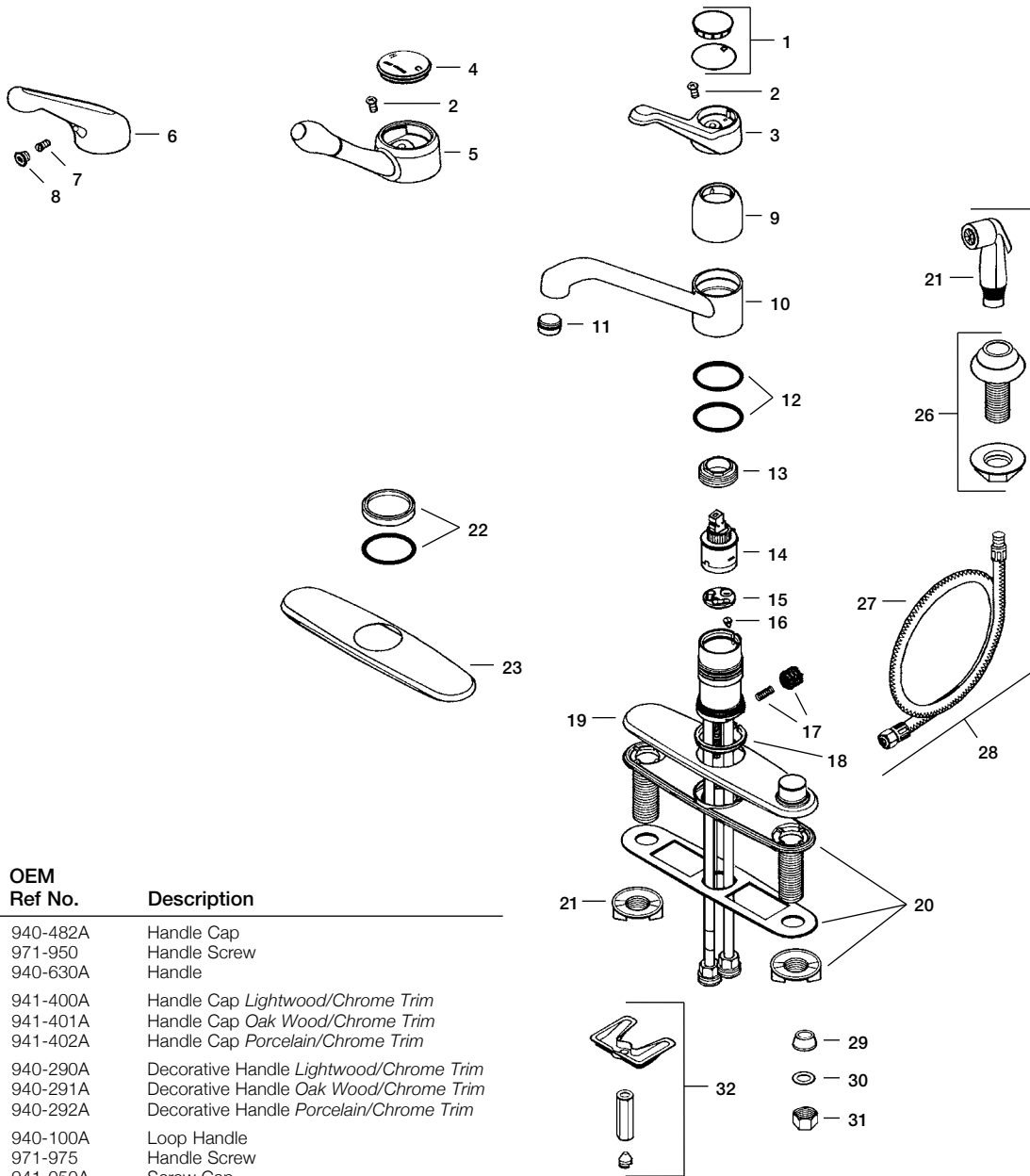


Item No.	Stock No.	OEM Ref No.	Description
1	—	941-480	Plug Button
2	35646B	971-550	Handle Screw
3	—	974-420	Upper & Lower Yoke
4	—	940-620	Handle
5	—	962-260	Retainer Ring
6	80550	974-291	Cartridge
7	88207	33	Seal
8	10481	941-220	15/16F Aerator
9	35753B	950-800	O-Ring
10	—	950-810	O-Ring
11	—	950-820	O-Ring
12	36476B	950-250	Basin Cock Washer
13	73113B	931-610	Locknut
14	—	931-620	Slip Joint Nut
15	80760	951-100	Spray Head
16	86948	951-091	Spray Guide Assembly
17	80761	951-170	48" Spray Hose
18	80762	422-4	Spray Head & Hose Assembly

PRICE PFISTER

KITCHEN FAUCET

Series 34



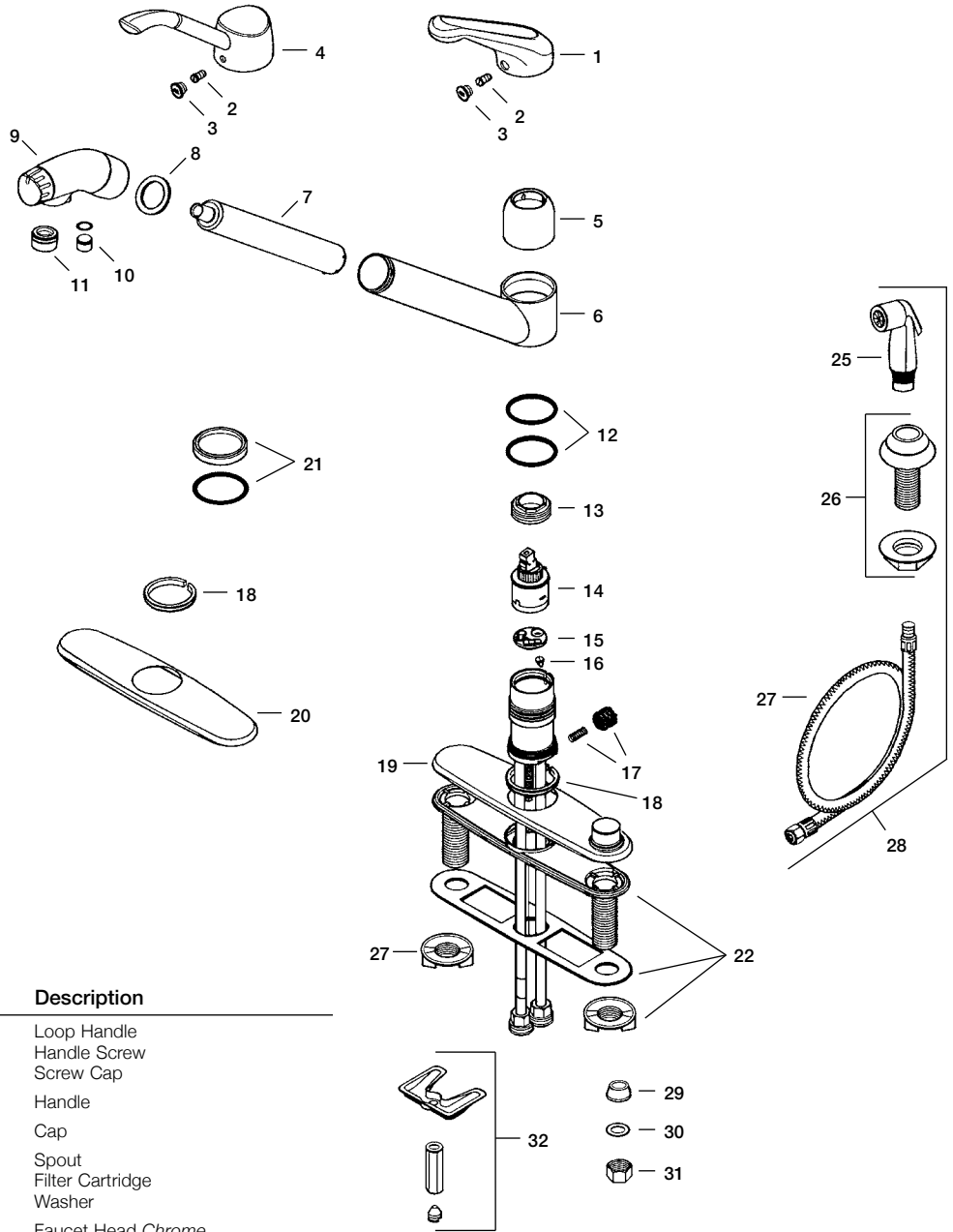
Item No.	Stock No.	OEM Ref No.	Description
1	—	940-482A	Handle Cap
2	35646B	971-950	Handle Screw
3	—	940-630A	Handle
4	—	941-400A	Handle Cap <i>Lightwood/Chrome Trim</i>
	—	941-401A	Handle Cap <i>Oak Wood/Chrome Trim</i>
	—	941-402A	Handle Cap <i>Porcelain/Chrome Trim</i>
5	—	940-290A	Decorative Handle <i>Lightwood/Chrome Trim</i>
	—	940-291A	Decorative Handle <i>Oak Wood/Chrome Trim</i>
	—	940-292A	Decorative Handle <i>Porcelain/Chrome Trim</i>
6	—	940-100A	Loop Handle
7	—	971-975	Handle Screw
8	—	941-050A	Screw Cap
9	—	941-695A	Cap
10	—	920-375A	Spout
11	10483	941-034A	Aerator
12	—	950-910	Quad Rings
13	—	931-900	Retainer Nut
14	41034	974-570	Cartridge
15	—	950-100	Valve Gasket (Regular) <i>Black</i>
	—	950-105	Valve Gasket (Back-to-Back) <i>Green</i>
16	—	950-390	Check Valve
17	—	951-050	Spray Diverter Assembly
18	—	949-034	Split Ring
19	—	961-510A	Deck Plate <i>with Spray Hole</i>
20	—	961-340	Gasket, Base Plate & 2 Wing Nuts
21	73113B	931-340	Wing Nut
22	—	961-710A	Mounting Escutcheon & Gasket (1-Hole Style)
23	—	961-610A	Deck Plate <i>without Spray Hole</i>

Item No.	Stock No.	OEM Ref No.	Description
24	—	951-034	Hose Guide
25	80760	951-100	Sprayhead
26	86948	951-091	Spray Hose Guide Assembly
27	80761	951-170	Spray Hose
28	80762	951-734	Sprayhead & Hose Assembly
29	38804B	951-550	Cone Washer
30	36612B	950-580	Friction Ring
31	—	931-620	Supply Nut
32	—	962-340	Mounting Hardware

PRICE PFISTER

PULL-OUT KITCHEN FAUCET with FILTER

Series 734



Item No.	Stock No.	OEM Ref No.	Description
1	—	940-100A	Loop Handle
2	—	971-975	Handle Screw
3	—	941-050A	Screw Cap
4	—	940-734	Handle
5	—	941-695	Cap
6	—	920-735	Spout
7	—	941-290	Filter Cartridge
8	—	949-734	Washer
9	—	920-734A	Faucet Head <i>Chrome</i>
	—	920-734W	Faucet Head <i>White</i>
10	—	941-251A	Aerator
11	10483	941-280A	Aerator
12	—	950-910	Quad Rings
13	—	931-900	Retainer Nut
14	41034	974-570	Cartridge
15	—	950-100	Valve Gasket (Regular) <i>Black</i>
	—	950-105	Valve Gasket (Back-to-Back) <i>Green</i>
16	—	950-390	Check Valve
17	—	951-050	Spray Diverter Assembly
18	—	949-034	Split Ring
19	—	961-510A	Deck Plate <i>with Spray Hole</i>
20	—	961-610A	Deck Plate <i>without Spray Hole</i>
21	—	961-710A	Mounting Escutcheon & Gasket (1-Hole Style)
22	—	961-340	Gasket, Base Plate & 2 Wing Nuts

Item No.	Stock No.	OEM Ref No.	Description
23	73113B	931-340	Wing Nut
24	—	951-034	Hose Guide
25	86948	951-091	Spray Hose Guide Assembly
26	80760	951-100	Sprayhead
27	80761	951-170	Spray Hose
28	80762	951-734	Sprayhead & Hose Assembly
29	38804B	951-550	Cone Washer
30	36612B	950-580	Friction Ring
31	—	931-620	Supply Nut
26	—	962-340	Mounting Hardware

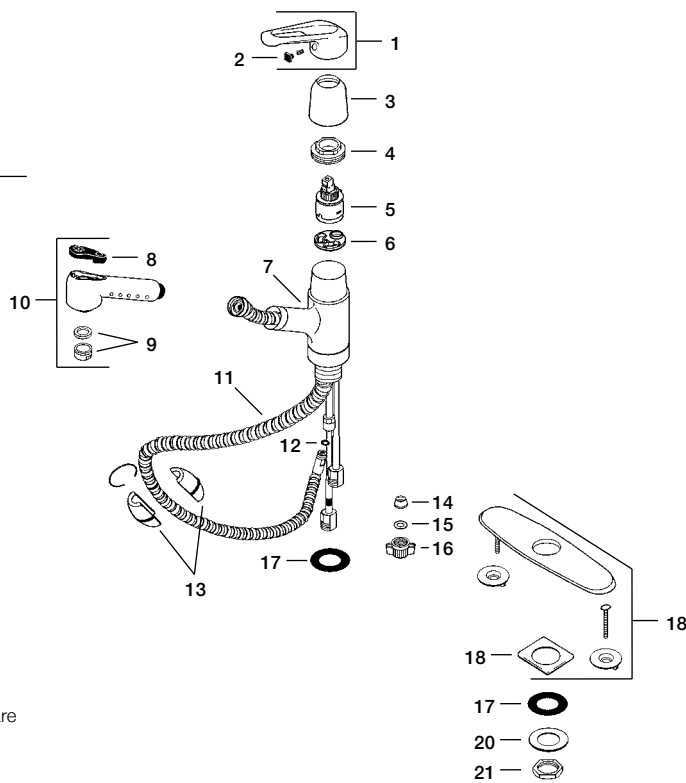
REPAIRS FOR

PRICE PFISTER

PULL-OUT KITCHEN FAUCET

Series 533 (after 1997)

Item No.	Stock No.	OEM Ref No.	Description
1	—	940-977A	Loop Handle Assembly
2	—	941-019W	Handle Button
3	—	941-533A	Cap
4	—	931-900	Retainer Ring
5	41034	974-570	Cartridge
	—	974-505	Vacuum Breaker Cartridge
6	—	950-100	Valve Gasket
7	—	941-702W	Insert
8	—	941-495	Sprayhead Button
9	—	941-190	Aerator
10	10408	920-202A	Sprayhead Assembly <i>Chrome</i>
	10415	920-202W	Sprayhead Assembly <i>White</i>
	—	920-202M	Sprayhead Assembly <i>Almond</i>
11	10339	951-045	Spray Hose with Washer
12	—	950-889	Spray Hose Washer
13	—	931-757	Spray Hose Weight
14	38804B	951-550	Cone Washer
15	36612B	950-580	Friction Ring
16	73113B	931-950	Supply Nut
17	—	950-886	Gasket
18	—	931-755A	Deck Plate Assembly with Hardware
19	—	941-703	Plastic Bottom Plate
20	—	950-497	Washer
21	—	931-999	Locknut



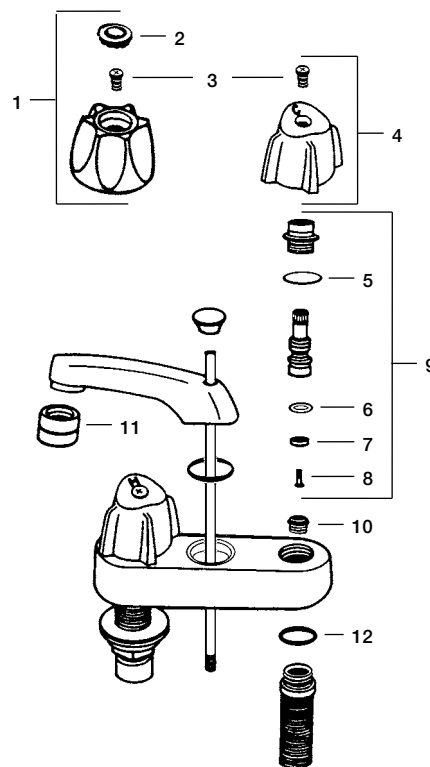
REPAIRS FOR

PRICE PFISTER

LAVATORY FAUCET

Series *Contempora* (Cast Body)

Item No.	Stock No.	OEM Ref No.	Description
1	80456	941-322A	(1) Pair Handles OEM Style
2	25737B 25738B	941-330 941-320	Index Button <i>Hot</i> Index Button <i>Cold</i>
3	35639B	971-600A	Handle Screw
4	88385	940-061A 940-051A	(1) Pair Handles OEM Style
5	35566B	950-170	Cap Thread Gasket
6	35725B	950-500	O-Ring
7	35062B	950-150	00 Flat Bibb Washer
8	35153B	971-560	Bibb Screw
9	15624E	910-402	Stem with Bonnet R.H. Hot & Cold
10	30038E	970-510	Bibb Seat <i>Brass</i>
11	10481	—	15/16F Aerator
12	35564B	950-170	Cap Thread Gasket



REPAIRS FOR

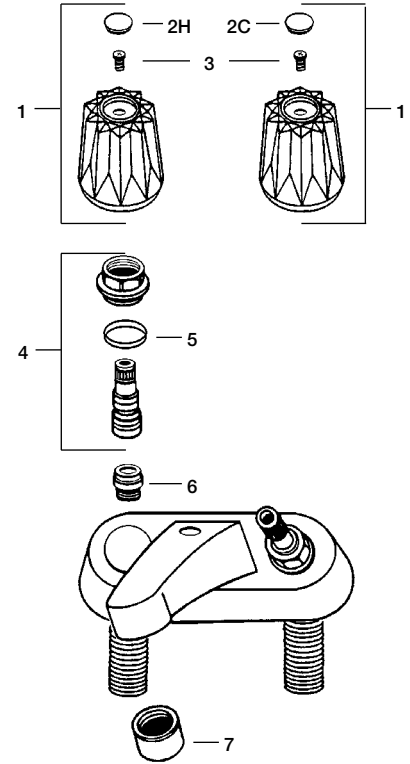
PRICE PFISTER

LAVATORY FAUCET

Series Windsor 43

Item No.	Stock No.	OEM Ref No.	Description
1	88305	—	(1) Pair Handles
2H	25754B	941-330	Index Button <i>Hot</i>
2C	25755B	941-320	Index Button <i>Cold</i>
3	35646B	971-660	Handle Screw
4	16110E	910-681	Stem with Bonnet R.H. Hot & Cold
5	35576B	950-170	Cap Thread Gasket
6	30038E	970-510	Brass Bibb Seat
7	10483	941-200	15/16M Aerator
	80359	—	(1) Pair Cartridge Seat Washers <i>Not Illustrated</i>
	36476B	950-250	Friction Washer <i>Not Illustrated</i>
	73113B	931-610	Locknut <i>Not Illustrated</i>
	—	931-620	Supply Nut <i>Not Illustrated</i>

Stock No.	OEM Ref No.	Description
124168	—	Stem Repair Kit
	<i>Contains:</i>	(1) 17826 Cartridge Seat Washer
		(1) 35784 O-Ring
		(1) 35744 O-Ring
		(2) 35725 O-Rings
		(1) 35564 Gasket



REPAIRS FOR

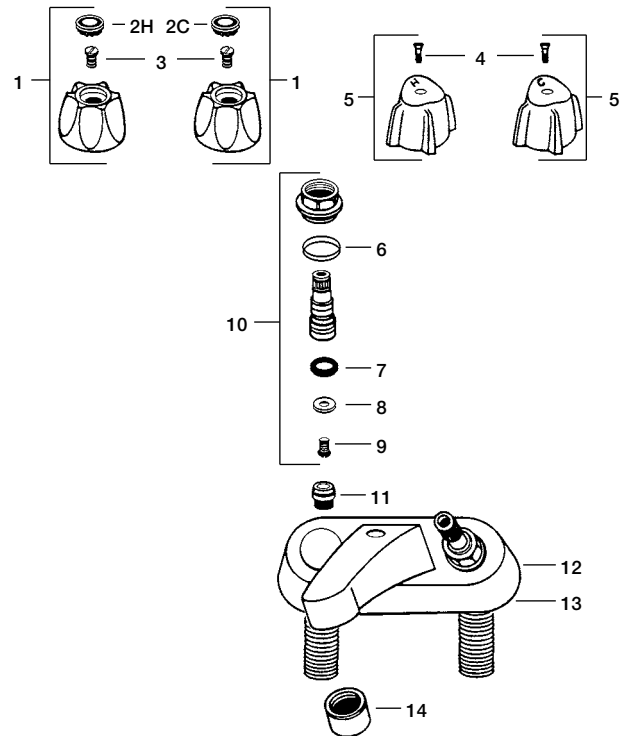
PRICE PFISTER

LAVATORY FAUCET

Series Contessa & Verve 43 (Slant Body)

Item No.	Stock No.	OEM Ref No.	Description
1	80456	941-322A	(1) Pair Handles OEM Style
2H	25737B	941-130A	Index Button <i>Hot</i>
2C	25738B	941-120A	Index Button <i>Cold</i>
3	—	05536-01	Handle Screw
4	35639B	971-600A	Handle Screw
5	88385	940-061A	(1) Pair Handles OEM Style
6	35564B	950-170	Cap Thread Gasket
7	35725B	950-500	O-Ring
8	35062B	950-150	00 Flat Bibb Washer
9	35154B	971-560	Bibb Screw
10	15625E	910-402	Stem with Bonnet R.H. Hot & Cold
11	30038E	970-510	Bibb Seat <i>Brass</i>
12	—	961-110	Escutcheon Plate
13	—	974-090	Escutcheon Gasket
14	10483	941-200A	15/16M Aerator

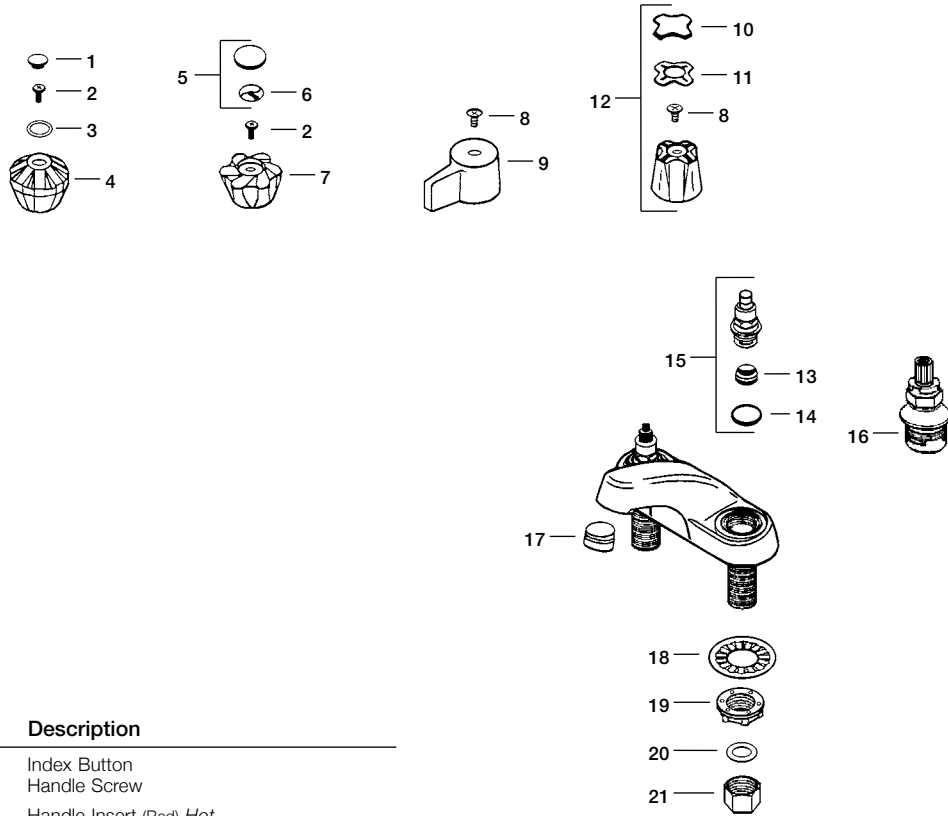
Stock No.	OEM Ref No.	Description
124164E	—	Stem Repair Kit
	<i>Contains:</i>	(1) 35062 Washer
		(1) 35153 Bibb Screw
		(1) 30038 Seat
		(1) 35725 O-Ring
		(1) 35564 Gasket



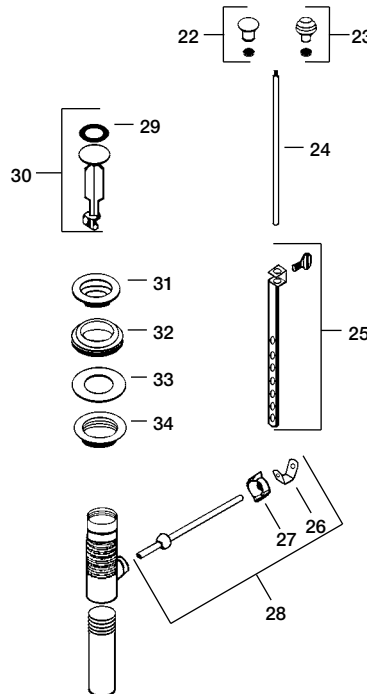
PRICE PFISTER

LAVATORY FAUCET

Series H43 Verve & Windsor



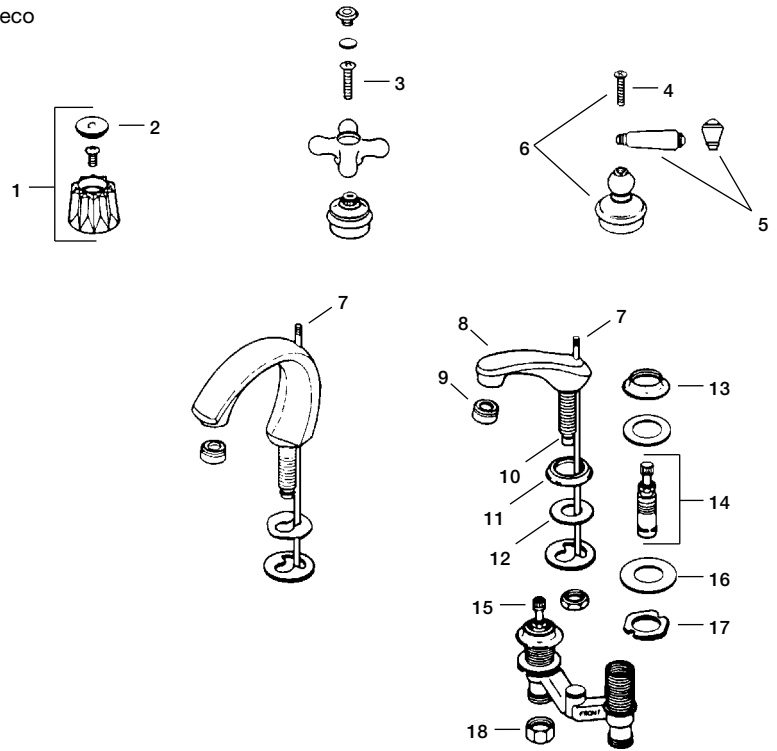
Item No.	Stock No.	OEM Ref No.	Description
1	—	941-814	Index Button
2	35646B	971-860A	Handle Screw
3	—	949-814	Handle Insert (Red) <i>Hot</i>
	—	949-914	Handle Insert (Blue) <i>Cold</i>
4	—	940-351	Round Handle <i>Acrylic</i>
5	—	941-403	Index Button <i>Hot</i>
	—	941-406	Index Button <i>Cold</i>
6	—	949-403	Handle Insert (Red) <i>Hot</i>
	—	949-406	Handle Insert (Blue) <i>Cold</i>
7	88989		(1) Pair Handle Assemblies
8	—	971-600A	Handle Screw (10 per Pak)
9	—	940-760	Blade Handle <i>Hot</i>
	—	940-750	Blade Handle <i>Cold</i>
10	—	941-303	Handle Cap
11	—	949-303	Handle Insert (Red) <i>Hot</i>
	—	949-306	Handle Insert (Blue) <i>Cold</i>
12	—		(1) Pair Handle Assemblies
13	80359	949-360	Hydroseal Seat Washer
14	35564B	950-170	Cap Thread Gasket
15	16110E	910-681	Stem with Bonnet R.H. <i>Hot</i>
	18533E	910-691	Stem with Bonnet L.H. <i>Cold</i>
16	09330B	910-900	Ceramic Disc Stem with Bonnet R.H. <i>Hot</i>
17	10483	941-200	15/16M Aerator
18	—	950-250	Friction Washer
19	73114B	931-610	Locknut
20	36612B	950-580	Friction Ring
21	—	931-620	Supply Nut
22	—	941-270	Pop-Up Knob
23	—	941-800	Pop-Up Knob
24	88961	941-530	Upper Lift Rod
25	—	941-551	Lift Rod Extension
26	34807B	941-660	Clevis
27	34600B	941-410	Pivot Nut
28	86783	941-652	Ball Rod Assembly
29	35747B	949-210	Stopper Gasket
30	80381	972-691	Pop-Up Stopper
31	—	960-330	Pop-Up Flange
32	36562B	950-480	Basin Mack Gasket
33	—	950-490	Friction Washer
34	—	931-730	Brass Locknut



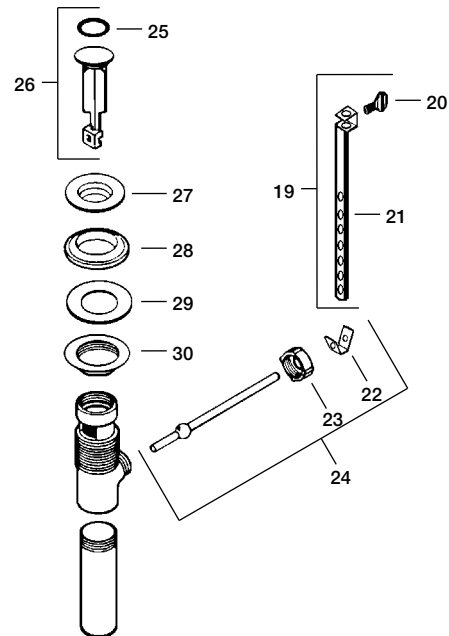
PRICE PFISTER

WIDESPREAD LAVATORY FAUCET

Washerless H44 Washerless & D44 Washerless Arc Deco



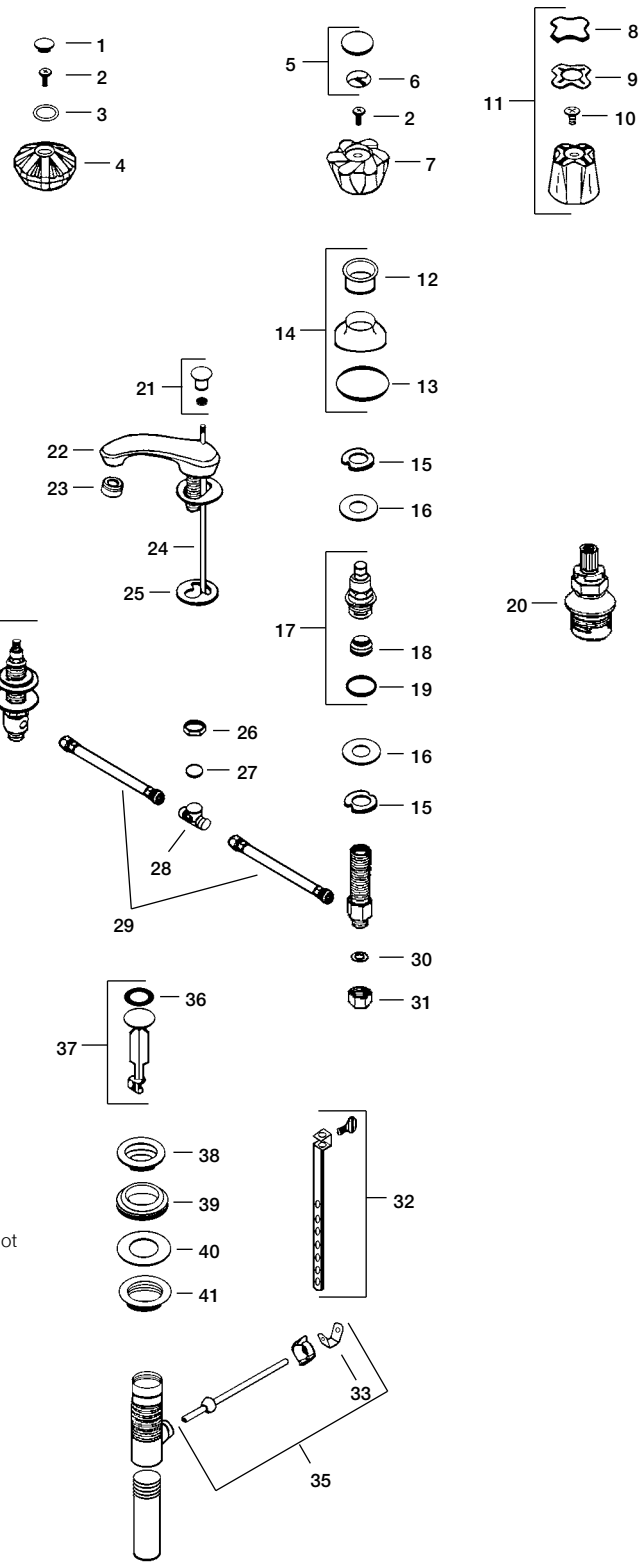
Item No.	Stock No.	OEM Ref No.	Description
1	88305	—	(1) Pair Handles
2	—	941-330	Index Button <i>Hot</i>
	—	941-320	Index Button <i>Cold</i>
	—	941-330	Index Button <i>Hot Polished Brass</i>
	—	941-320	Index Button <i>Cold Polished Brass</i>
3	35654B	971-990	Handle Screw
4	—	971-360	Handle Hub Screw
5	—	S15-HOP	White Porcelain Lever Handle
6	—	940-770	Handle Hub & Screw
7	88961	941-530	Pop-Up Rod & Knob
8	—	920-011	Spout Assembly
9	10483	941-200	Flo-Down Aerator
10	35724B	950-505	O-Ring
11	—	960-013	Spout Base
12	—	949-014	Washer
13	—	960-012A	Flange <i>Chrome</i>
	—	960-012B	Flange <i>Antique Brass</i>
	—	960-012P	Flange <i>Polished Brass</i>
14	18591E	910-830	Right Hand Stem
15	18592E	910-835	Left Hand Stem
16	—	950-200	Washer
17	19669	931-600	Locknut
18	—	931-620	Supply Nut
19	—	—	Strap & Thumbscrew
20	—	971-730	Thumbscrew
21	—	941-550	Strap
22	34808B	941-660	Clip
	88979	—	Clip (<i>carded</i>)
23	34600B	941-410	Pivot Nut
24	86785	—	Ball Rod with Pivot Nut & Clip
25	35780B	950-710	O-Ring
26	80381	972-691	Stopper Assembly
27	—	960-330	Flange
28	—	950-490	Friction Washer
29	—	931-730	Brass Locknut
30	36562B	950-480	Mack Washer



PRICE PFISTER

WIDESPREAD LAVATORY FAUCET

Series H49 Verve & Windsor



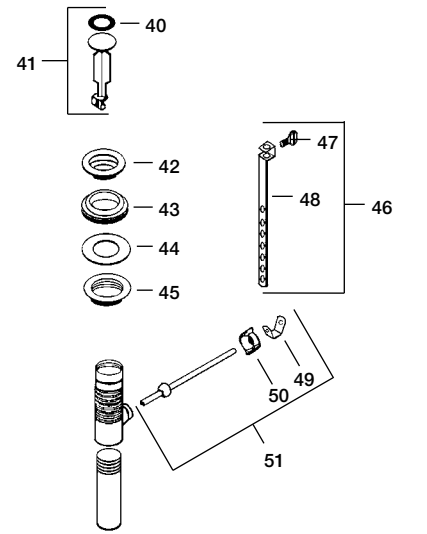
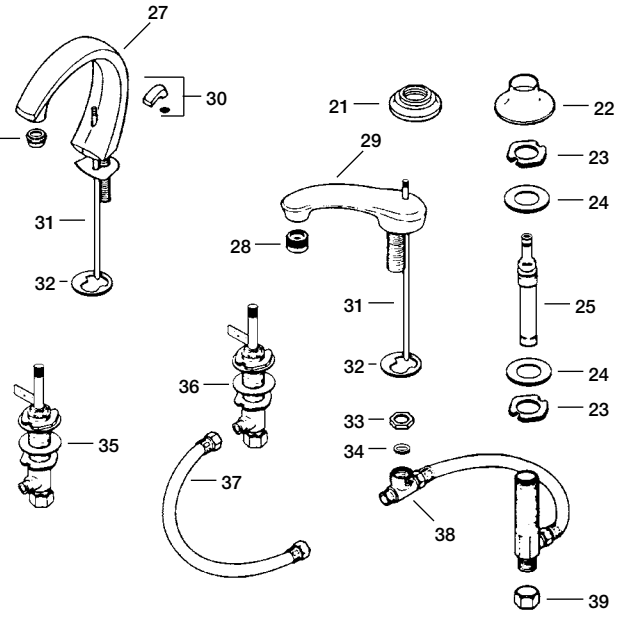
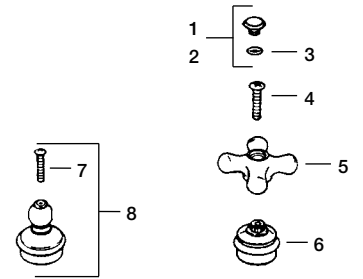
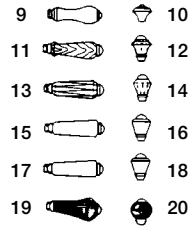
Item No.	Stock No.	OEM Ref No.	Description
1	—	941-814	Index Button
2	35646B	971-860A	Handle Screw
3	—	949-814	Handle Insert (Red) <i>Hot</i>
	—	949-914	Handle Insert (Blue) <i>Cold</i>
4	—	940-801	Round Acrylic Handle
5	—	941-403	Index Button <i>Hot</i>
	—	941-410	Index Button <i>Cold</i>
6	—	949-403	Handle Insert (Red) <i>Hot</i>
	—	949-406	Handle Insert (Blue) <i>Cold</i>
7	88991		(1) Pair Handles
8	—	941-333	Handle Cap
9	—	949-333	Handle Insert (Red) <i>Hot</i>
	—	949-336	Handle Insert (Blue) <i>Cold</i>
10	35639B	971-880A	Handle Screw
11	88990		(1) Pair Handles
12	—	910-019	Flange Adapter
13	—	949-011	Protective Washer
14	80608	960-160	Flange Assembly
15	—	931-600	Locknut
16	—	950-200	Washer
17	16110E	910-681	Stem with Bonnet R.H. Hot
18	80359	949-360	Hydroseal Seat Washer
19	35564B	950-170	Cap Thread Gasket
20	09330B	910-900	Ceramic Disc Stem with Bonnet R.H. Hot
21	—	941-270	Upper Lift Rod Knob
22	—	920-092	Spout
23	10483	941-200	15/16M Aerator
24	88961	941-540	Upper Lift Rod
25	—	950-330	Washer
26	—	931-940	Locknut
27	—	950-830	Washer
28	—	900-570	Tee
29	—	971-490	Flex Tube
30	36612B	950-580	Friction Ring
31	—	931-620	Supply Nut
32	—	941-551	Lift Rod Extension
33	34807B	941-660	Clevis
35	86783	941-652	Ball Rod Assembly
36	35747B	949-210	Stopper Gasket
37	80381	972-691	Pop-Up Stopper
38	88963	960-330	Pop-Up Flange
39	36562B	950-480	Basin Mack Gasket
40	—	950-490	Friction Washer
41	—	931-730	Locknut <i>Brass</i>

PRICE PFISTER

WIDESPREAD LAVATORY FAUCET

Series H49 Arc Deco Washerless

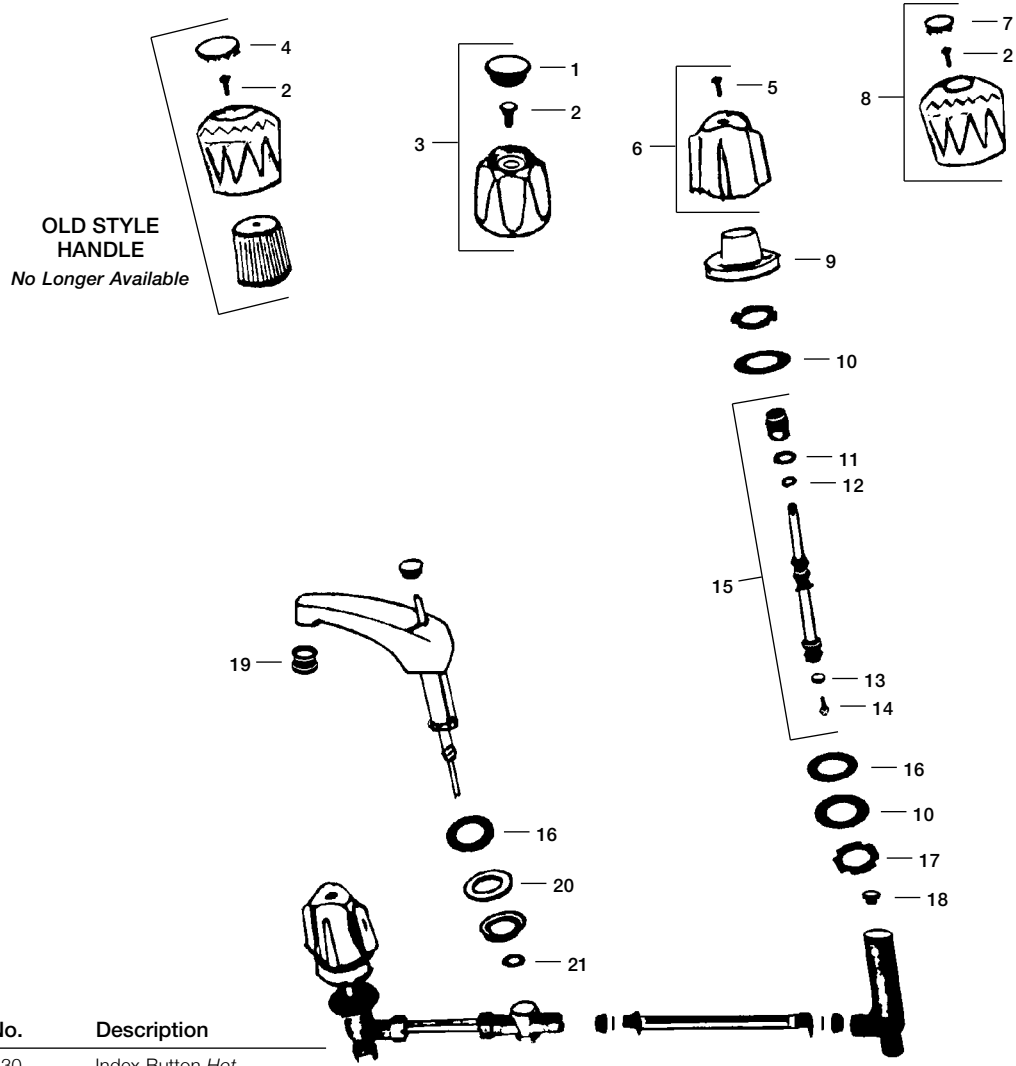
Item No.	Stock No.	OEM Ref No.	Description
1	—	941-475A	Index Button <i>Hot Polished Brass</i>
	—	941-746A	Index Button <i>Cold Polished Brass</i>
2	—	941-475P	Index Button <i>Cold Polished Brass</i>
	—	941-476P	Index Button <i>Hot Polished Brass</i>
3	—	950-895	Index Button O-Ring
4	—	971-990	Handle Screw
5	—	S15-SIBC	Cross Handle <i>Brass/Chrome Trim</i>
	—	S15-SIBP	Cross Handle <i>Brass/Polished Brass Trim</i>
	—	S15-SIPO	Cross Handle <i>Porcelain/Chrome Trim</i>
6	—	940-941	Large Handle Hub
7	—	971-960	Screw
8	—	940-770	Handle Hub & Screw
9	—	S15-HOB	Lever Handle <i>Brass</i>
10	—	S15-KOB	Pull-Up Knob <i>Brass</i>
11	—	S15-HOW	Lever Handle <i>Oak</i>
12	—	S15-KOW	Pull-Up Knob <i>Oak</i>
13	—	S15-HOA	Lever Handle <i>Acrylic</i>
14	—	S15-KOA	Pull-Up Knob <i>Acrylic</i>
15	—	S15-HOP	Lever Handle <i>White Porcelain</i>
16	—	S15-KOP	Pull-Up Knob <i>White Porcelain</i>
17	—	S15-HAP	Lever Handle <i>Almond Porcelain</i>
18	—	S15-KAP	Pull-Up Knob <i>Almond Porcelain</i>
19	—	S15-HLC	Lever Handle <i>Genuine</i>
20	—	S15-KLC	Pull Up Knob <i>Genuine</i>
21	—	960-011A	Flange <i>Chrome</i>
	—	960-011P	Flange <i>Polished Brass</i>
22	—	960-160N	Flange <i>Antique Brass</i>
	80608	960-160A	Flange <i>Chrome</i>
	—	960-160P	Flange <i>Polished Brass</i>
23	19669	931-600	Locknut
24	—	—	Gasket
25	18596E	910-701	Stem Right Hand
	18597E	910-710	Stem Left Hand
26	—	950-200	Washer
27	—	920-095	<i>Arc Deco</i> Spout Assembly
28	10483	941-200	Aerator
29	—	920-092	Spout Assembly
30	—	941-016	<i>Arc Deco</i> Pop-Up Knob
31	88961	941-530	Pop-Up Rod
32	—	950-330	Washer
33	—	931-940	Nut
34	—	950-830	Washer
35	—	900-259	Right Hand End Body Assembly
36	—	900-257	Right Hand End Body Assembly
37	81212	971-062	Flex Tube
38	—	900-570	Tee
39	—	931-620	Supply Nut
40	35780B	950-710	O-Ring
41	80381	972-691	Stopper Assembly
42	—	960-330	Flange
43	36562B	950-480	Mack Washer
44	—	950-490	Friction Washer
45	—	931-730	Locknut <i>Brass</i>
46	—	—	Strap & Thumbscrew
47	—	971-730	Thumbscrew
48	—	941-550	Strap
49	34808B	941-660	Clip
50	34600B	941-410	Pivot Nut
51	86785	—	Ballrod with Pivot Nut & Clip



PRICE PFISTER

WIDESPREAD LAVATORY FAUCET

Series *Contempera Contessa*



Item No.	Stock No.	OEM Ref No.	Description
1	25737B 25738B	941-330 941-320	Index Button <i>Hot</i> Index Button <i>Cold</i>
2	35646B	971-600-A	Handle Screw
3	80456	941-322A	(1) Pair Handles OEM Style
4	—	941-100A 941-090-A	Index Button <i>Hot</i> Index Button <i>Cold</i>
5	—	971-660	Handle Screw (10 per Pak)
6	88386	940-031A	(1) Pair Handle Assemblies
7	—	941-320A 941-330A	Index Button <i>Hot</i> Index Button <i>Cold</i>
8	—	—	(1) Pair Handle Assemblies
9	80608	960-160A 960-160N	Escutcheon <i>Chrome</i> Escutcheon <i>Antique</i>
10	—	950-200	Washer
11	35573B	950-190	Washer
12	35725B	950-500	O-Ring
13	35062B	950-150	00 Flat Bibb Washer
14	—	971-560	Seat Screw
15	17163E	910-332	Stem Assembly
16	—	05143-01	Washer
17	19669	950-250	Locknut
18	30038E	970-510	Brass Bibb Seat
19	36087B	941-241	Aerator
20	—	950-270	Washer
21	—	950-510	Washer

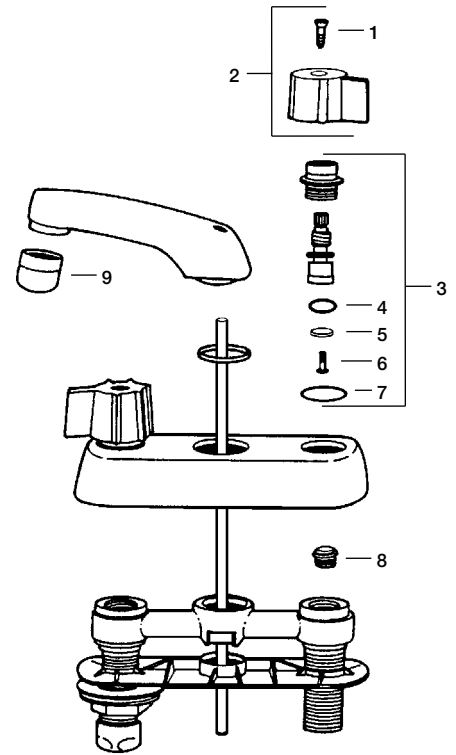
REPAIRS FOR

PRICE PFISTER

LAVATORY FAUCET

Series Crown Imperial 90-R

Item No.	Stock No.	OEM Ref No.	Description
1	35639B	971-600A	Handle Screw
2	88443	—	(1) Pair Handle Assemblies
3	15289E 15290E	910-072 910-082	Stem with Bonnet R.H. Hot Stem with Bonnet L.H. Cold
4	35725B	950-500	O-Ring
5	35062B	950-150	00 Flat Bibb Washer
6	35153B	971-560	Bibb Screw
7	35564B	950-170	Cap Thread Gasket
8	30038E	970-510	Brass Bibb Seat
9	10481	941-241	15/16F Aerator
	Stock No.	OEM Ref No.	Description
	124164E	—	Stem Repair Kit
		<i>Contains:</i>	(1) 35062 Washer (1) 35153 Bibb Screw (1) 30038 Seat (1) 35725 O-Ring (1) 35564 Gasket

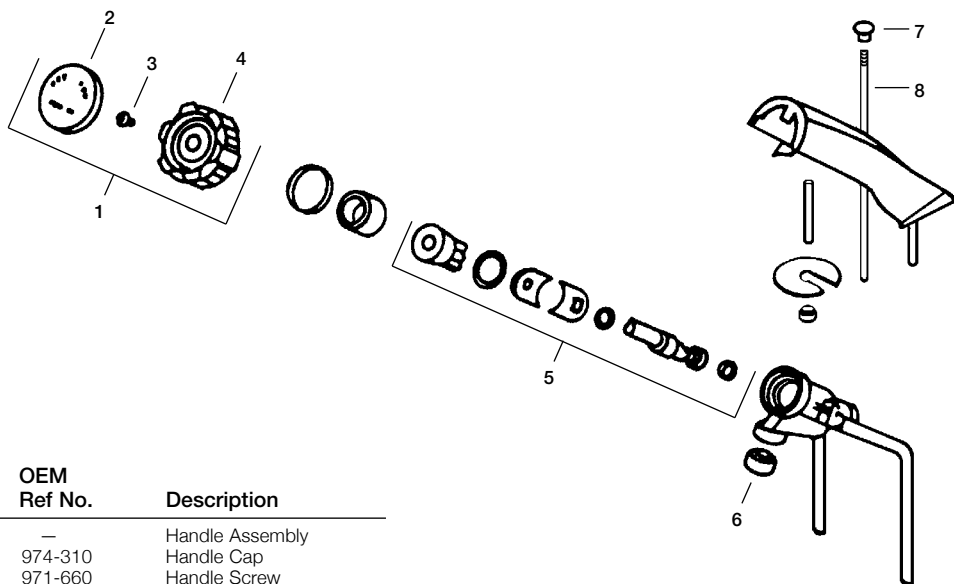


REPAIRS FOR

PRICE PFISTER

LAVATORY FAUCET

Series Avante 41

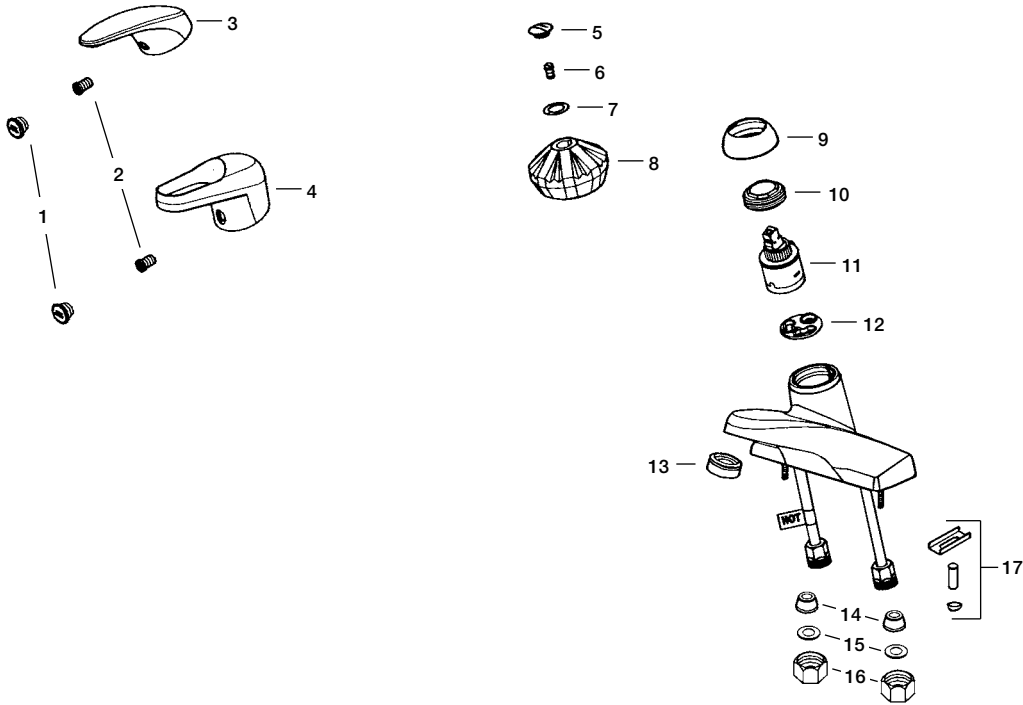


Item No.	Stock No.	OEM Ref No.	Description
1	88391	—	Handle Assembly
2	—	974-310	Handle Cap
3	35646B	971-660	Handle Screw
4	—	974-300	Handle
5	80550	974-292	Cartridge Assembly Kit
6	10483	941-200	15/16M Aerator
7	—	941-270	Pop-Up Knob
8	88961	941-530	Pop-Up Rod

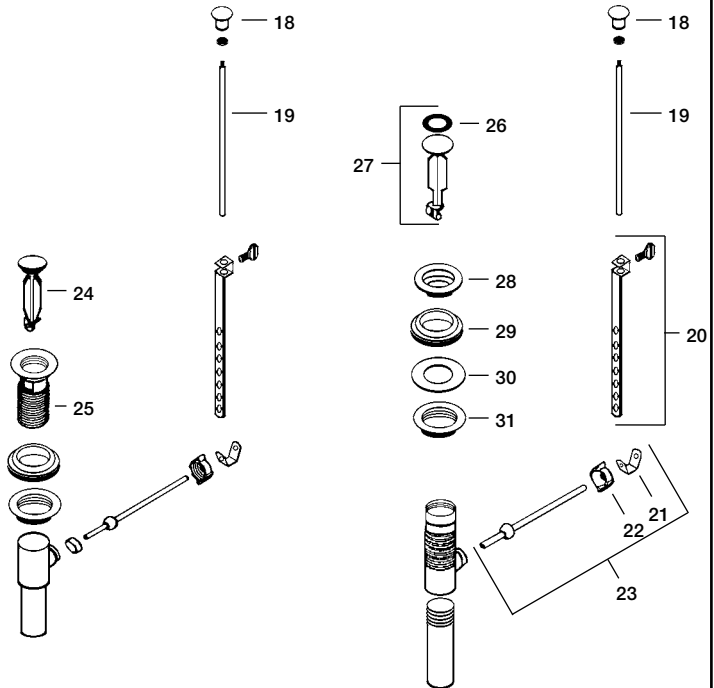
PRICE PFISTER

LAVATORY FAUCET

Series 42



Item No.	Stock No.	OEM Ref No.	Description
1	—	941-050A	Handle Set Screw Button
2	—	971-130	Handle Set Screw
3	—	940-042A	Lever Handle
4	—	940-130A	Loop Handle
5	—	941-930A	Handle Button
6	35646B	971-950	Handle Screw
7	—	949-330	Hot & Cold Washer
8	—	940-230	Acrylic Handle
9	—	941-735A	Cap
10	—	931-900	Retainer Nut
11	41034	974-570	Cartridge
12	—	950-100	Valve Gasket <i>Black</i>
	—	950-105	Valve Gasket <i>Green</i>
13	10489	941-200	Aerator
14	38804B	951-550	Cone Washer
15	36612B	950-580	Friction Ring
16	—	931-620	Supply Nut
17	—	931-130	Mounting Hardware 2 sets
18	—	941-270A	Pop-Up Knob
19	88961	941-530A	Pop-Up Rod
20	—	941-551	Lower Lift Rod
21	34807B	941-660	Clip
22	—	941-410	Pivot Nut
23	86783	941-652	Ball Rod Assembly
24	—	972-693A	Pop-Up Stopper
25	—	960-300A	Flange
26	35747B	949-210	Pop-Up Stopper Washer
27	80381	972-691A	Pop-Up Stopper
28	—	960-330A	Pop-Up Flange
29	36562B	950-480	Mack Washer
30	—	950-490	Friction Washer
31	—	931-730	Locknut <i>Brass</i>
32	—	970-150	Tailpiece



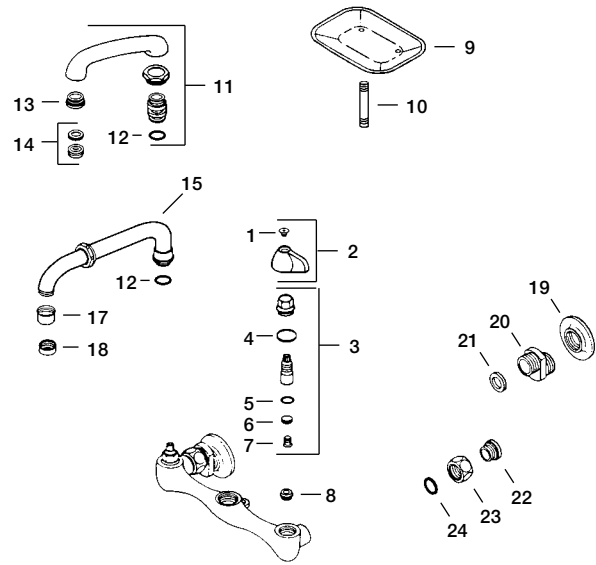
REPAIRS FOR

PRICE PFISTER

WALL MOUNT FAUCET

Series 27

Item No.	Stock No.	OEM Ref No.	Description
1	—	971-600A	Handle Screw (10 per Pak)
2	88997	—	(1) Pair Handles
3	15289E 15290E	910-072 910-082	Right Hand Stem Assembly Left Hand Stem Assembly
4	35564B	950-170	Bonnet Washer
5	—	950-500	O-Ring
6	35062B	950-150	00 Flat Bibb Washer
7	—	971-560	Bibb Screw
8	—	970-510	Seat
9	—	961-010	Soap Dish
10	—	970-040	Soap Dish Stem
11	—	920-331	Spout Assembly
12	35728B	950-590	O-Ring
13	—	941-430	Aerator
14	—	941-441	Flowrator
15	—	920-207	Spout
16	—	962-270	Spout Nut
17	—	941-210	Aerator
18	—	941-241	Strainer
19	—	960-180	Flange
20	—	970-120	Tailpiece
21	35994B	950-180	Washer
22	—	930-120	Spud
23	—	931-850	Nut
24	—	950-170	Bonnet Washer



Stock No.	OEM Ref No.	Description
124164E	—	Stem Repair Kit
	<i>Contains:</i>	(1) 35062 Washer (1) 35153 Bibb Screw (1) 30038 Seat (1) 35725 O-Ring (1) 35564 Gasket

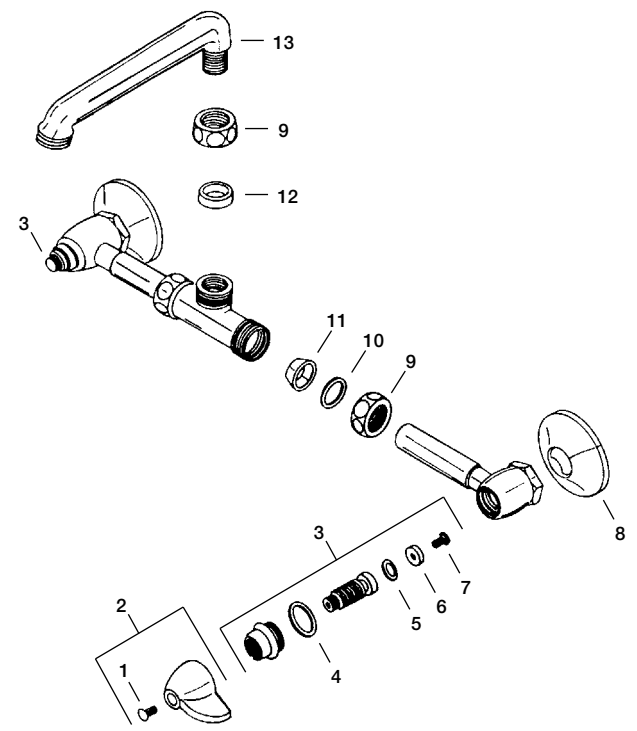
REPAIRS FOR

PRICE PFISTER

WALL MOUNT FAUCET

Series 69 Beverly Style

Item No.	Stock No.	OEM Ref No.	Description
1	35639B	971-600A	Handle Screw
2	88997	—	(1) Pair Handles
3	15289E 15290E	910-072 910-082	Right Hand Stem Assembly Left Hand Stem Assembly
4	35564B	950-170	Bonnet Washer
5	35725B	950-500	Washer
6	35062B	950-150	00 Flat Bibb Washer
7	—	971-560	Bibb Screw
8	89070	960-050	Flange
9	—	962-090	Spout Nut
10	—	950-380	Washer
11	—	951-590	Packing Washer
12	—	951-580	Spout Packing
13	—	920-100A	Spout



Stock No.	OEM Ref No.	Description
124164E	—	Stem Repair Kit
	<i>Contains:</i>	(1) 35062 Washer (1) 35153 Bibb Screw (1) 30038 Seat (1) 35725 O-Ring (1) 35564 Gasket

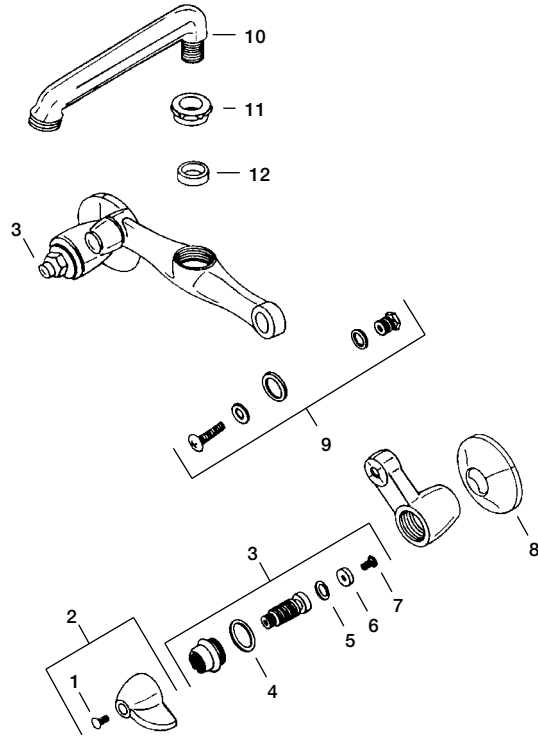
REPAIRS FOR

PRICE PFISTER

WALL MOUNT FAUCET

Series 69 Oakland Style

Item No.	Stock No.	OEM Ref No.	Description
1	35639B	971-600A	Handle Screw
2	88997	—	(1) Pair Handles
3	15289E 15290E	910-072 910-082	Right Hand Stem Assembly Left Hand Stem Assembly
4	35564B	950-170	Bonnet Washer
5	35725B	950-500	Washer
6	35062B	950-150	00 Flat Bibb Washer
7	—	971-560	Bibb Screw
8	89070	960-050	Flange
9	37003B	972-091	Union Arm Repair Kit
10	—	920-100A	Spout
11	—	962-080B	Spout Nut
12	—	951-580	Spout Packing
Stock No.			Description
124164E			Stem Repair Kit
<i>Contains:</i>			(1) 35062 Washer (1) 35153 Bibb Screw (1) 30038 Seat (1) 35725 O-Ring (1) 35564 Gasket



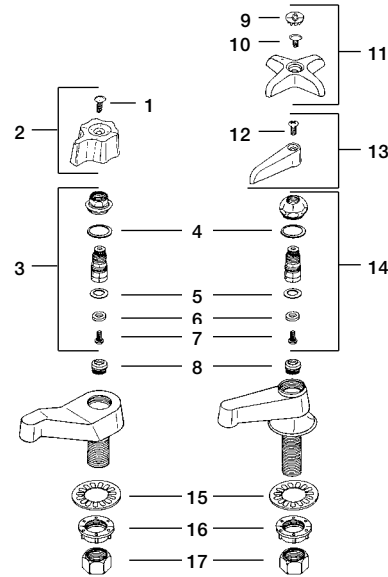
REPAIRS FOR

PRICE PFISTER

BASIN FAUCET

Series 51 Compression

Item No.	Stock No.	OEM Ref No.	Description
1	35639B	971-600A	Handle Screw
2	88443	—	(1) Pair Handle Assemblies
3	15290E 15289E	910-082 910-072	Left Hand Stem & Bonnet Right Hand Stem & Bonnet
4	35564B	950-170	Washer
5	35725B	950-500	O-Ring
6	35062B	950-150	00 Flat Bibb Washer
7	—	971-560	Bibb Screw
8	30038E	970-510	Seat
9	25703B 25704B	941-070A 941-060A	Index Button <i>Hot</i> Index Button <i>Cold</i>
10	35154B	971-580	Handle Screw
11	88390	—	(1) Pair Cross Handle Assemblies
12	35639B	971-600A	Handle Screw
13	—	940-291 940-281	Lever Handle Assembly <i>Hot</i> Lever Handle Assembly <i>Cold</i>
14	—	910-074B	Right Hand Assembly
15	36476B	950-250	Rosette
16	73113B	931-610	Locknut
17	50334B	931-620	Nut

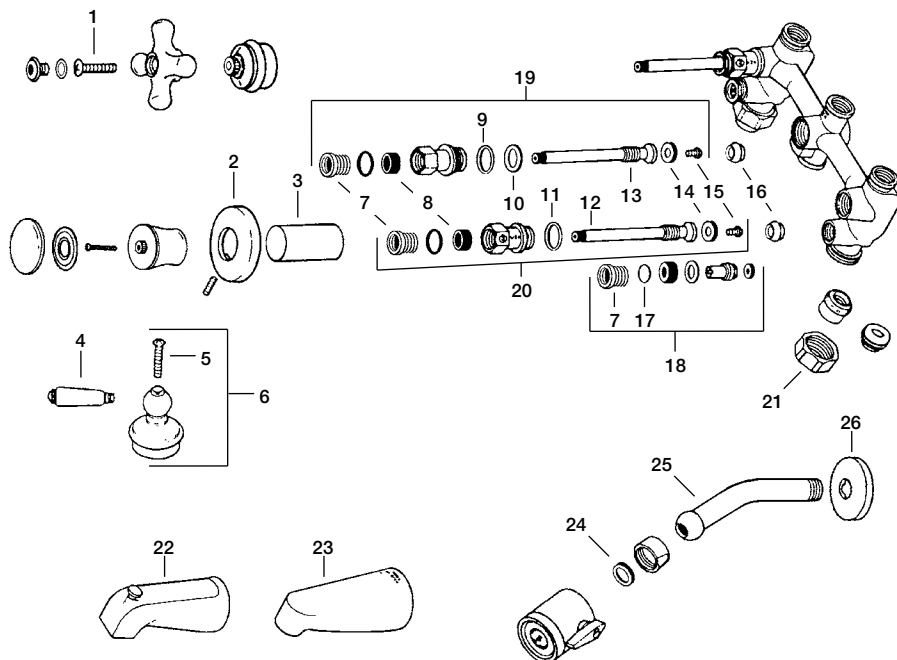
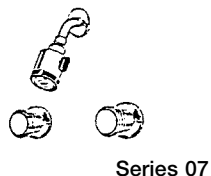
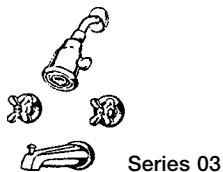
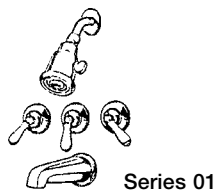


Stock No.	OEM Ref No.	Description
124164E	—	Stem Repair Kit
<i>Contains:</i>		(1) 35062 Washer (1) 35153 Bibb Screw (1) 30038 Seat (1) 35725 O-Ring (1) 35564 Gasket

PRICE PFISTER

BATH FIXTURE

Series 01, 03, 05, 07, Cross, Lever & Eurostyle Trim



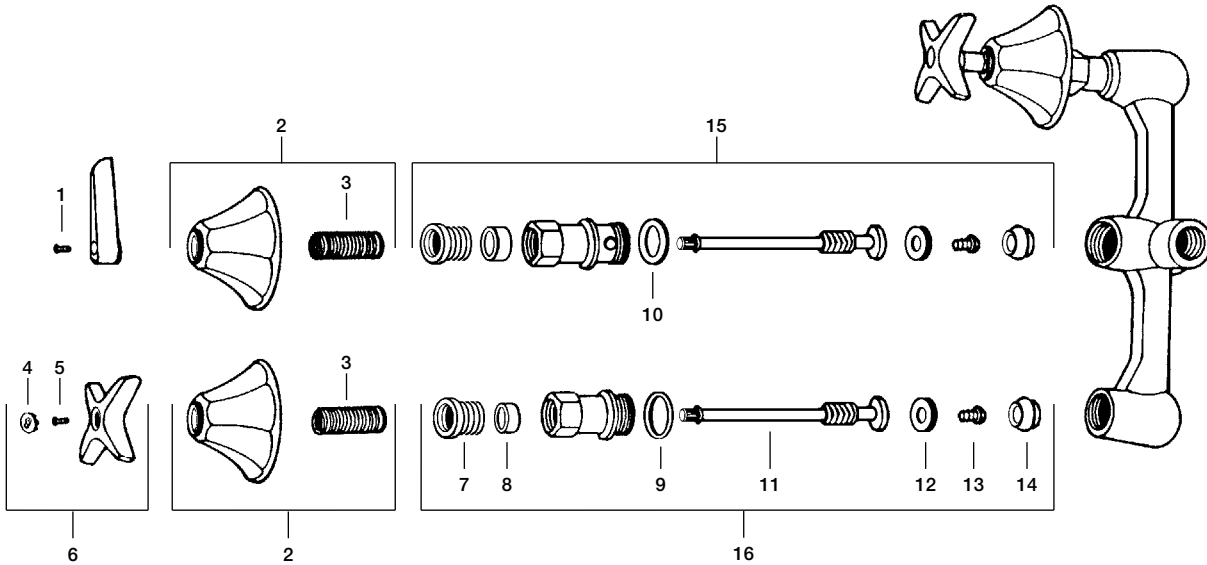
Item No.	Stock No.	OEM Ref No.	Description
1	35654B	971-990	Handle Screw <i>Chrome Plated</i>
2	29004	—	Handle Flange <i>Chrome Plated</i>
3	—	—	Handle Sleeve <i>Chrome Plated</i>
4	—	S15-HOP	White Porcelain Lever Handle
5	—	971-960	Handle Screw
6	—	940-770	Handle Hub & Screw
7	—	930-020	Packing Nut
8	35200B	951-780	Bonnet Packing
	36630B	951-780	Cloth Inserted Packing
9	35560B	950-050	Cap Thread Gasket
10	35692B	950-040	Diverter Washer
11	35579B	950-030	Cap Thread Gasket
12	—	910-011	Stem R.H. Hot & Cold
13	—	910-021	Stem Diverter
14	35068B	950-010	3/8L Flat Bibb Washer
15	35153B	971-500	Bibb Screw <i>Chrome Plated</i>
16	30037B	970-500	Bibb Seat <i>Brass</i>
17	35726B	950-850	Stop Stem O-Ring
18	—	910-671	Stop Stem Assembly
19	15300B	910-022	Stem with Bonnet Diverter
20	15298B	910-013	Stem with Bonnet R.H. Hot & Cold
21	—	931-500	Supply Nut
22	88052	920-320	Bath Spout with Diverter <i>Chrome Plated Die Cast</i>

Item No.	Stock No.	OEM Ref No.	Description
23	—	920-130	Bath Spout less Diverter <i>Chrome Plated Brass</i>
24	—	949-060	Shower Arm Washer
25	—	973-011	Shower Arm <i>Chrome Plated</i>
26	89172	960-170	Shower Arm Flange
	17903	910-561	1" Stem Extension Kit <i>Not Illustrated</i>
	Stock No.	OEM Ref No.	Description
	124162	—	Stem Repair Kit
		<i>Contains:</i>	(1) 35068 3/8L Bibb Washer (1) 35153 Bibb Screw (1) 30037 Bibb Seat (1) 36630 Bonnet Packing (1) 35579 Cap Thread Gasket
	124166	—	Stem Repair Kit
		<i>Contains:</i>	(1) 35067 3/8M Bibb Washer (1) 35068 3/8L Bibb Washer (1) 35153 Bibb Screw (1) 30037 Bibb Seat (1) 35692 Diverter Washer (1) 36630 Bonnet Packing (1) 18062 Cap Thread Gasket (1) 97115 Cap Thread Gasket (1) 17733 Cap Thread Gasket (1) 17734 Cap Thread Gasket (1) 35725 O-Ring

PRICE PFISTER

BATH FIXTURE

Series *Beaux Art*



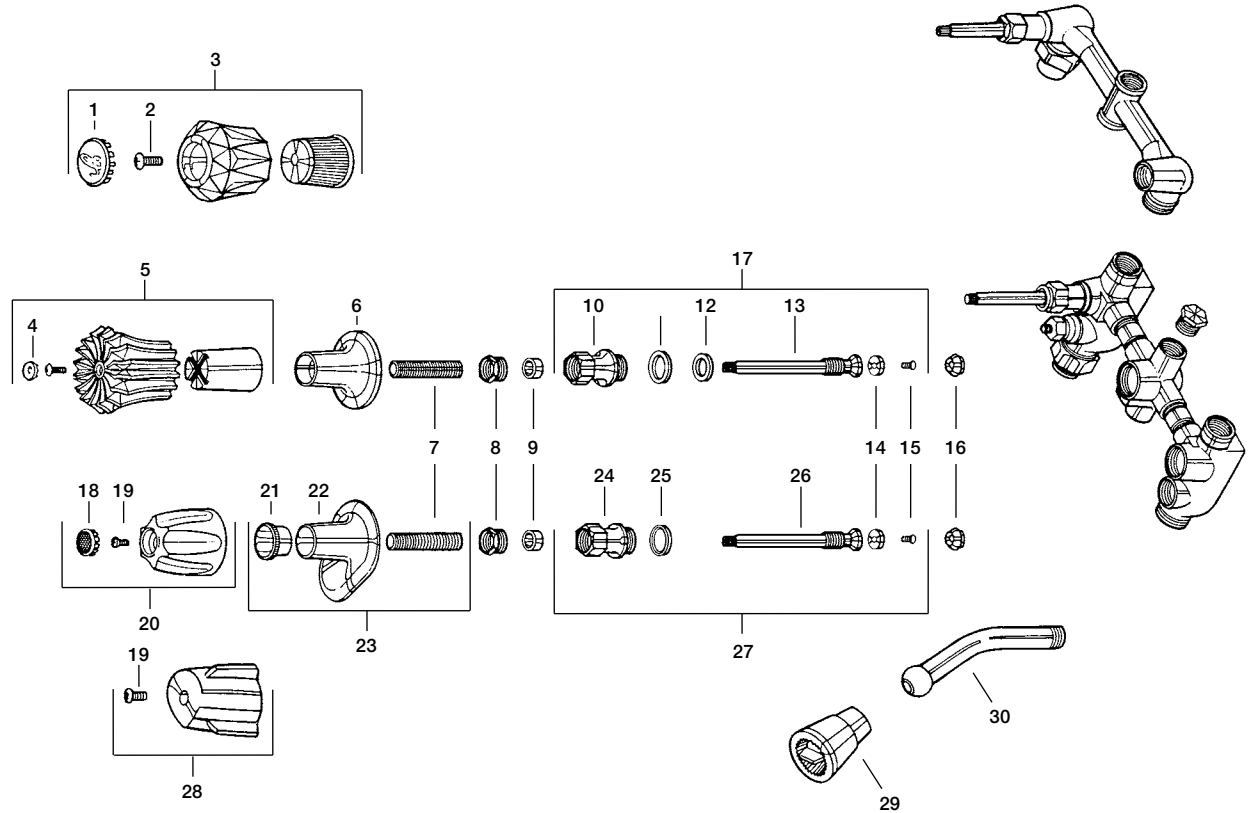
Item No.	Stock No.	OEM Ref No.	Description
1	35639B	971-600A	Handle Screw
2	—	960-280	Escutcheon and Nipple
3	—	972-110	Escutcheon Nipple <i>Brass</i>
	—	972-110	Escutcheon Nipple <i>Plastic</i>
4	25703B	941-070A	Index Button <i>Hot</i>
	25704B	941-060A	Index Button <i>Cold</i>
5	35646B	971-580	Handle Screw
6	88390	—	(1) Pair Cross Handle Assemblies
7	—	930-020	Packing Nut
8	35200B	951-780	Bonnet Packing
9	35567B	950-030	Cap Thread Gasket
10	35579B	950-040	Cap Thread Gasket
11	—	910-041	Stem R.H. Hot & Cold
12	35068B	950-010	3/8L Flat Bibb Washer
13	35153B	971-500	Bibb Screw
14	30037B	970-500	Bibb Seat <i>Brass</i>
15	15304B	910-052	Stem with Bonnet Diverter
16	17099B	910-043	Stem with Bonnet R.H. Hot & Cold
	17903	—	Stem Extension <i>Not Illustrated</i>

Stock No.	OEM Ref No.	Description
124162	—	Stem Repair Kit
	<i>Contains:</i>	(1) 35068 3/8L Bibb Washer (1) 35153 Bibb Screw (1) 30037 Bibb Seat (1) 36630 Bonnet Packing (1) 35579 Cap Thread Gasket
124166	—	Stem Repair Kit
	<i>Contains:</i>	(1) 35067 3/8M Bibb Washer (1) 35068 3/8L Bibb Washer (1) 35153 Bibb Screw (1) 30037 Bibb Seat (1) 35692 Diverter Washer (1) 36630 Bonnet Packing (1) 18062 Cap Thread Gasket (1) 97115 Cap Thread Gasket (1) 17733 Cap Thread Gasket (1) 17734 Cap Thread Gasket (1) 35725 O-Ring

PRICE PFISTER

BATH FIXTURE

Contempera & Contessa



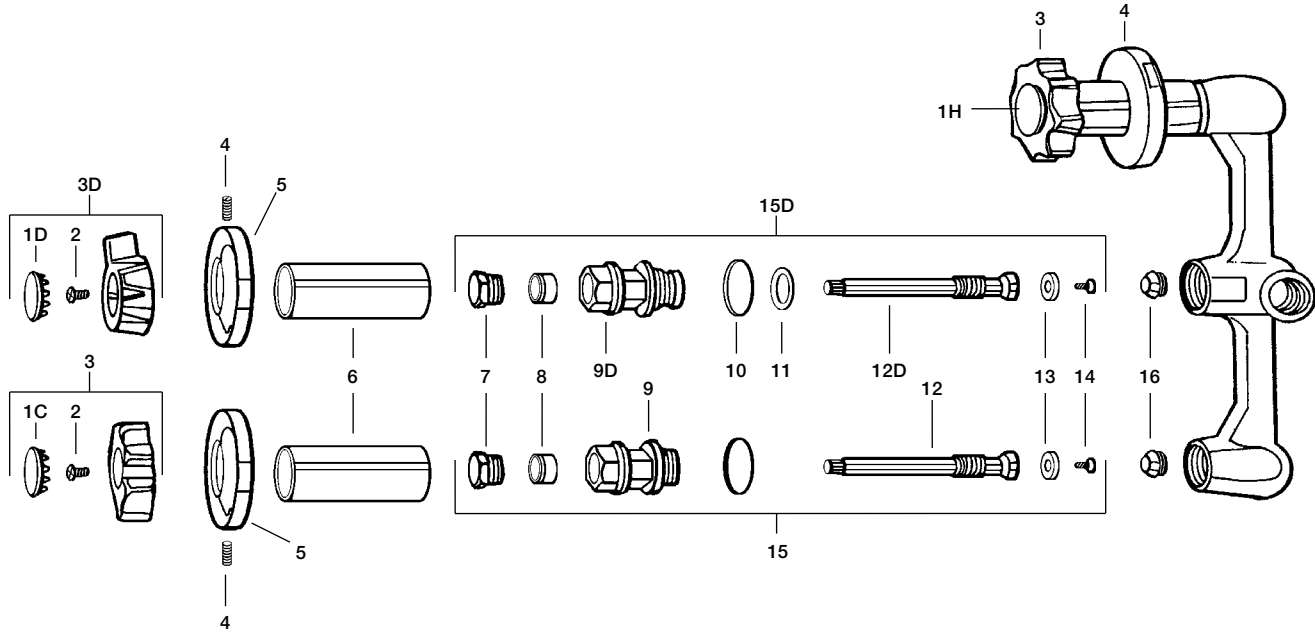
Item No.	Stock No.	OEM Ref No.	Description	Item No.	Stock No.	OEM Ref No.	Description
1	—	941-100A	Index Button <i>Hot</i>	19	35639B	971-600A	Handle Screw
	—	941-090A	Index Button <i>Cold</i>	20	80457	—	(1) Pair Handle Assemblies <i>Chrome Plated</i>
	—	941-110A	Index Button <i>Diverter</i>		88085	941-341A	Diverter Handle <i>Chrome Plated</i>
2	35646B	971-650	Handle Screw	21	—	974-120	Escutcheon Adapter
3	—	—	Hot or Cold Handle <i>Acrylic</i> with H/C/D Buttons	22	—	960-080	Escutcheon
4	25703B	941-070A	Index Button <i>Hot</i>	23	86571	—	Escutcheon Assembly
	25704B	941-060A	Index Button <i>Cold</i>	24	—	930-030	Bonnet less Escutcheon Threads R.H. Hot & Cold
	25705B	941-080A	Index Button <i>Diverter</i>	25	35579B	950-030	Cap Thread Gasket
5	88261	—	(1) Pair Handle Assemblies <i>Acrylic</i>	26	15715B	910-371	Stem R.H. Hot & Cold
	88260	941-081	Diverter Handle <i>Acrylic</i>	27	17335B	910-372	Stem with Bonnet less Escutcheon Threads R.H. Hot & Cold
6	88535	960-110A	Escutcheon	28	88386	940-031A	(1) Pair Handle Assemblies <i>Chrome Plated</i>
7	—	—	Escutcheon Nipple <i>Brass</i>		88387	940-040	Diverter Handle <i>Chrome Plated</i>
	—	972-110	Escutcheon Nipple <i>Plastic</i>	29	80490	973-051A	Showerhead
8	—	930-020	Packing Nut	30	—	—	Shower Arm
9	35200B	951-500	Bonnet Packing		29004	960-130	Escutcheon <i>Not Illustrated</i>
	36630B	951-780	Cloth Inserted Packing		—	05455-01	Sleeve <i>Not Illustrated</i>
10	—	930-060	Bonnet <i>Diverter</i>				
11	35560B	950-050	Cap Thread Gasket				
12	35692B	950-040	Diverter Washer				
13	—	910-381	Stem Diverter				
14	35068B	950-010	3/8L Flat Bibb Washer				
15	35153B	971-500	Bibb Screw <i>Chrome Plated</i>				
16	30037B	970-500	Bibb Seat <i>Brass</i>				
17	15718B	9910-385	Stem with Bonnet Diverter				
18	25737B	941-330	Index Button <i>Hot</i>				
	25738B	941-320	Index Button <i>Cold</i>				
	25739B	941-340	Index Button <i>Diverter</i>				

Item No.	Stock No.	OEM Ref No.	Description
	124162	—	Stem Repair Kit
		Contains:	(1) 35068 3/8L Bibb Washer
			(1) 35153 Bibb Screw
			(1) 30037 Bibb Seat
			(1) 36630 Bonnet Packing
			(1) 35579 Cap Thread Gasket

PRICE PFISTER

BATH FIXTURE

Series Crown Imperial



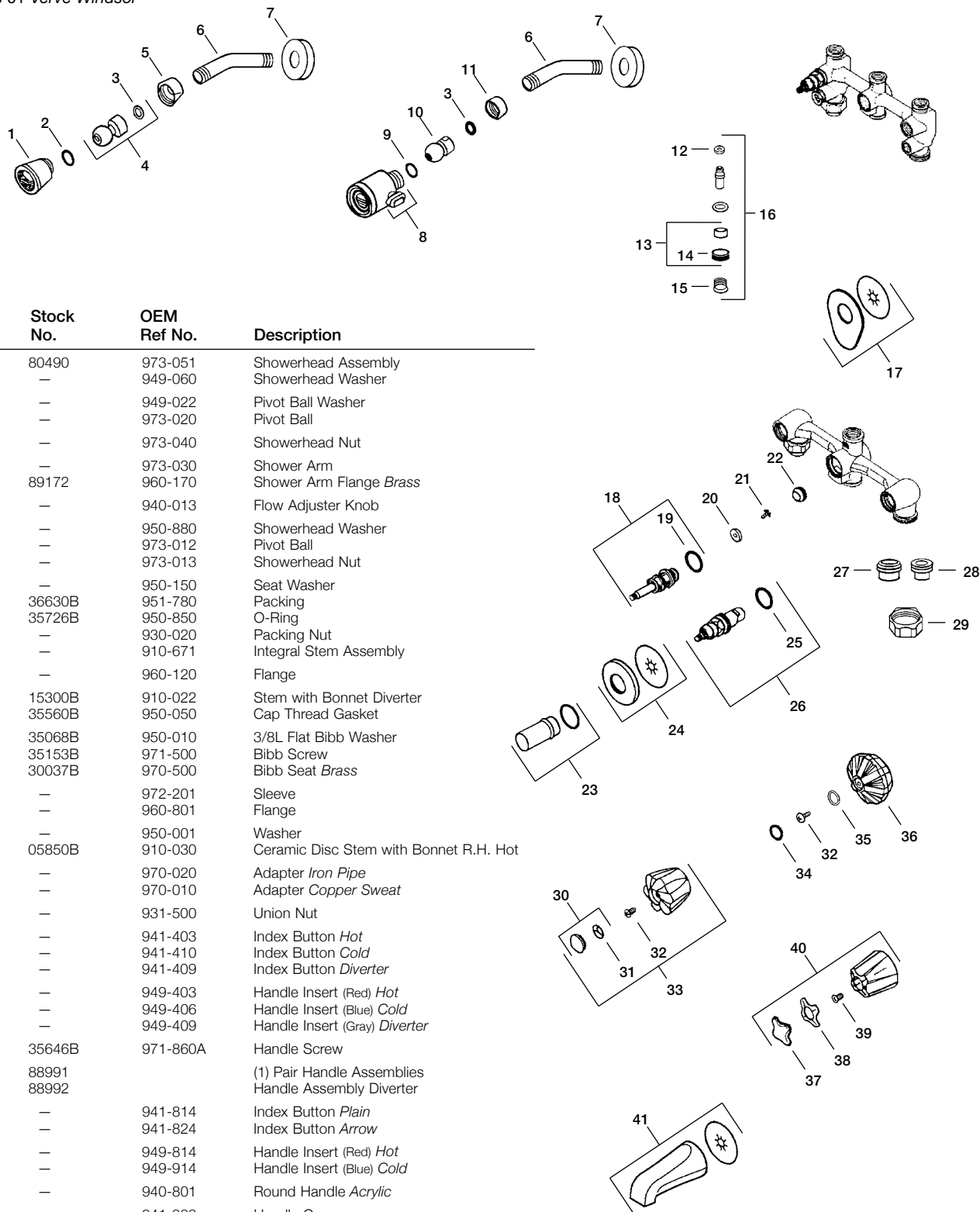
Item No.	Stock No.	OEM Ref No.	Description
1H	—	941-020	Index Button <i>Hot</i>
1C	—	941-030	Index Button <i>Cold</i>
1D	—	941-040	Index Button <i>Diverter</i>
2	35646B	971-600-A	Handle Screw
3	88302	—	(1) Pair Handle Assemblies
3D	—	940-190	Diverter Handle
4	—	971-670	Set Screw
5	29004	960-151	Handle Escutcheon
6	—	971-100A	Sleeve
7	—	930-202	Packing Nut
8	36630B	971-780	Bonnet Packing
9	—	220B	Bonnet R.H. Hot & Cold
9D	—	221	Bonnet Diverter
10	35579B	—	Cap Thread Gasket
11	35579B	950-050	Diverter Washer
12	—	910-014	Stem R.H. Hot & Cold
12D	—	910-022	Diverter Stem
13	35068B	950-010	3/8L Flat Bibb Washer
14	—	—	Bibb Screw
15	15298B	910-014	Stem with Bonnet R.H. Hot & Cold
15D	15300B	910-022	Diverter Stem with Bonnet
16	30037B	970-500	Bibb Seat <i>Brass</i>

Stock No.	OEM Ref No.	Description
124166	—	Stem Repair Kit
	<i>Contains:</i>	(1) 35067 3/8M Bibb Washer
		(1) 35068 3/8L Bibb Washer
		(1) 35153 Bibb Screw
		(1) 30037 Bibb Seat
		(1) 35692 Diverter Washer
		(1) 36630 Bonnet Packing
		(1) 18062 Cap Thread Gasket
		(1) 97115 Cap Thread Gasket
		(1) 17733 Cap Thread Gasket
		(1) 17734 Cap Thread Gasket
		(1) 35725 O-Ring

PRICE PFISTER

BATH FIXTURE

Series 01 Verve Windsor

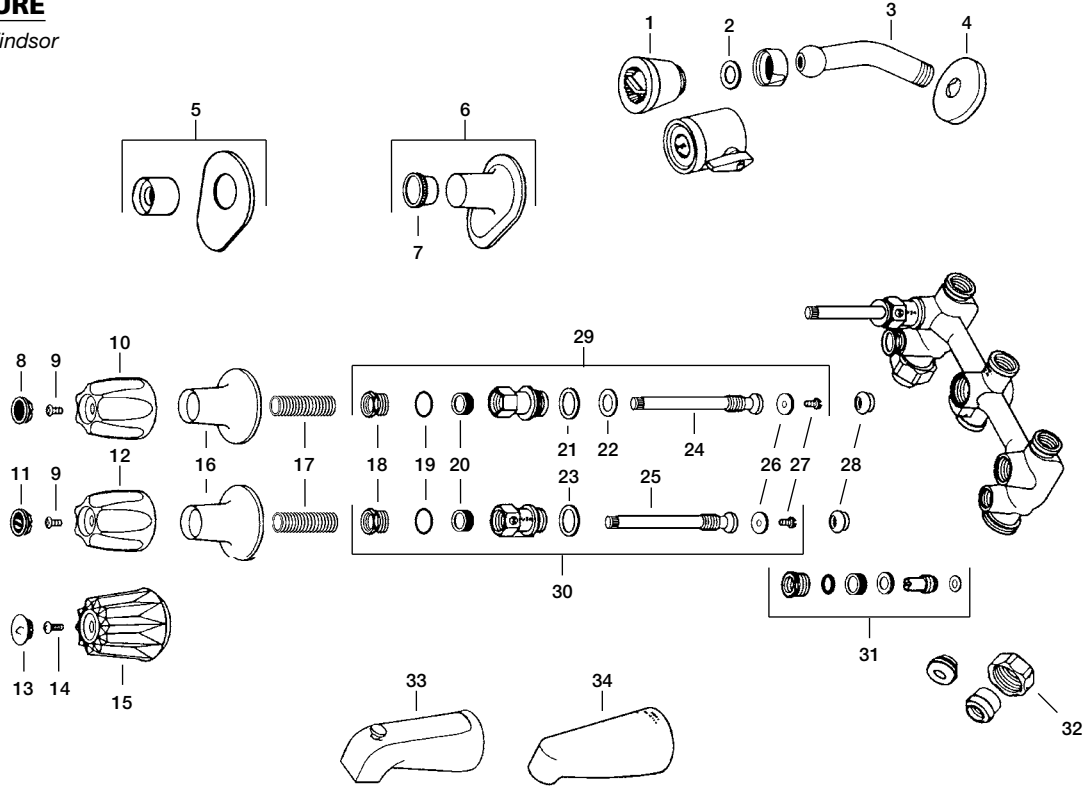


Item No.	Stock No.	OEM Ref No.	Description
1	80490	973-051	Showerhead Assembly
2	—	949-060	Showerhead Washer
3	—	949-022	Pivot Ball Washer
4	—	973-020	Pivot Ball
5	—	973-040	Showerhead Nut
6	—	973-030	Shower Arm
7	89172	960-170	Shower Arm Flange Brass
8	—	940-013	Flow Adjuster Knob
9	—	950-880	Showerhead Washer
10	—	973-012	Pivot Ball
11	—	973-013	Showerhead Nut
12	—	950-150	Seat Washer
13	36630B	951-780	Packing
14	35726B	950-850	O-Ring
15	—	930-020	Packing Nut
16	—	910-671	Integral Stem Assembly
17	—	960-120	Flange
18	15300B	910-022	Stem with Bonnet Diverter
19	35560B	950-050	Cap Thread Gasket
20	35068B	950-010	3/8L Flat Bibb Washer
21	35153B	971-500	Bibb Screw
22	30037B	970-500	Bibb Seat Brass
23	—	972-201	Sleeve
24	—	960-801	Flange
25	—	950-001	Washer
26	05850B	910-030	Ceramic Disc Stem with Bonnet R.H. Hot
27	—	970-020	Adapter Iron Pipe
28	—	970-010	Adapter Copper Sweat
29	—	931-500	Union Nut
30	—	941-403	Index Button Hot
	—	941-410	Index Button Cold
	—	941-409	Index Button Diverter
31	—	949-403	Handle Insert (Red) Hot
	—	949-406	Handle Insert (Blue) Cold
	—	949-409	Handle Insert (Gray) Diverter
32	35646B	971-860A	Handle Screw
33	88991 88992		(1) Pair Handle Assemblies Handle Assembly Diverter
34	—	941-814	Index Button Plain
	—	941-824	Index Button Arrow
35	—	949-814	Handle Insert (Red) Hot
	—	949-914	Handle Insert (Blue) Cold
36	—	940-801	Round Handle Acrylic
37	—	941-333	Handle Cap
38	—	949-333	Handle Insert (Red) Hot
	—	949-336	Handle Insert (Blue) Cold
	—	949-339	Handle Insert (Gray) Diverter
39	35639B	971-880A	Handle Screw
40	88990		(1) Pair Handles
41	—	920-145	Spout

PRICE PFISTER

BATH FIXTURE

Series *Verve Windsor*



Item No.	Stock No.	OEM Ref No.	Description
1	80490	973-051A	Showerhead
2	—	949-060	Ball Joint Washer
3	—	973-011A	Shower Arm <i>Chrome Plated</i>
4	89172	960-170A	Shower Arm Flange <i>Chrome Plated</i>
5	—	960-080P	Escutcheon Assembly <i>Chrome Plated</i>
6	86571	974-120A	Escutcheon Assembly <i>Chrome Plated</i>
7	—	974-120	Escutcheon Adapter
8	—	941-340	Index Button <i>Diverter</i>
9	35639B	971-600A	Handle Screw
10	88085	941-341A	Diverter Handle <i>Chrome Plated</i>
11	25737B	941-330	Index Button <i>Hot</i>
	25738B	941-320	Index Button <i>Cold</i>
12	80457	—	(1) Pair Handle Assemblies <i>Chrome Plated</i>
13	—	941-330A	Index Button <i>Hot</i>
	—	941-320A	Index Button <i>Cold</i>
	—	941-340A	Index Button <i>Diverter</i>
	—	941-330P	Index Button <i>Hot Polished Brass</i>
	—	941-320P	Index Button <i>Cold Polished Brass</i>
	—	941-340P	Index Button <i>Diverter Polished Brass</i>
	—	—	Index Buttons <i>Hot, Cold & Diverter Polished Brass</i>
	—	941-330N	Index Button <i>Hot Smoke</i>
	—	941-320N	Index Button <i>Cold Smoke</i>
	—	941-340N	Index Button <i>Diverter Smoke</i>
14	35646B	971-660	Handle Screw
15	88262	—	(1) Pair Handle Assemblies <i>Clear Acrylic</i>
	88263	941-081A	Diverter Handle Assembly <i>Clear Acrylic</i>
16	88535	960-110A	Escutcheon <i>Chrome Plated (carded)</i>
17	23810	972-110	(1) Pair Escutcheon Nipples
18	—	930-020	Packing Nut
19	35726B	950-850	O-Ring

Item No.	Stock No.	OEM Ref No.	Description
20	35200B	951-780	Bonnet Packing
	36630B	951-780	Cloth Inserted Packing
21	35560B	950-050	Cap Thread Gasket
22	35692B	950-040	Diverter Washer
23	35579B	950-030	Cap Thread Gasket
24	—	910-381	Stem Diverter
25	—	910-371	Stem R.H. Hot & Cold
26	35068B	950-010	3/8L Flat Bibb Washer
27	35153B	971-500	Chrome Plated Bibb Screw
28	30037B	970-500	Bibb Seat <i>Brass</i>
29	15718B	910-385	Stem with Bonnet Diverter
30	17335B	910-374	Stem with Bonnet less Escutcheon Threads R.H. Hot & Cold
31	—	910-671	Stop Stem Assembly
32	—	931-500	Supply Nut
33	88052	920-320A	Bath Spout with Diverter <i>Chrome Plated Die Cast</i>
34	—	920-130A	Bath Spout less Diverter <i>Chrome Plated Brass</i>

Stock No.	OEM Ref No.	Description
124162	—	Stem Repair Kit
	<i>Contains:</i>	(1) 35068 3/8L Bibb Washer
		(1) 35153 Bibb Screw
		(1) 30037 Bibb Seat
		(1) 36630 Bonnet Packing
		(1) 35579 Cap Thread Gasket

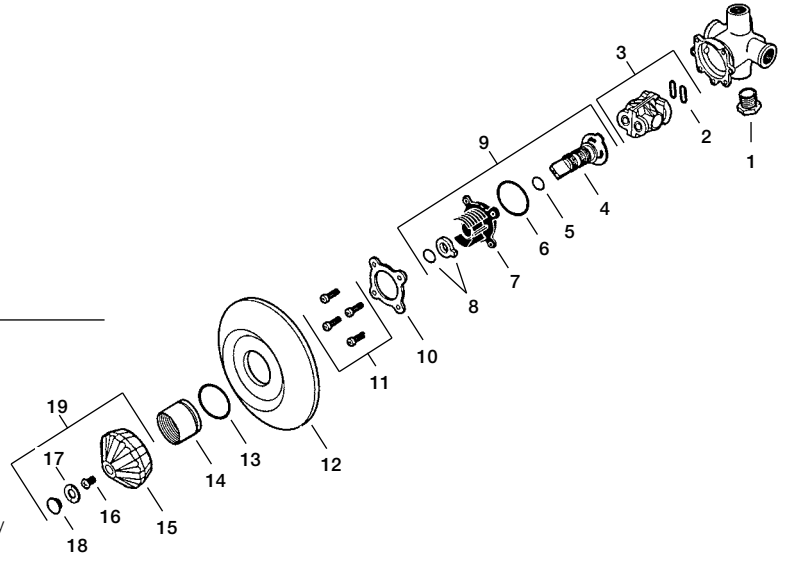
REPAIRS FOR

PRICE PFISTER

BATH FIXTURE

Pressure Balance Series *Body Guard 08*

Item No.	Stock No.	OEM Ref No.	Description
1	54067B	931-510	1/2" Pipe Plug
2	35729B	950-600	O-Ring 2 Required
3	31649	974-491	Cartridge Assembly
4	—	974-560	Valve Stem
5	35726B	950-850	O-Ring
6	35751B	950-870	O-Ring
7	—	974-530	Cover Plate Bonnet
8	—	970-780	Stop Assembly
9	—	971-150	Valve Stem Assembly
10	—	960-460	Cover Plate Ring
11	—	971-910	Screws for Cover Plate Ring
12	—	960-045A	Wall Flange Assembly <i>New Style</i>
13	—	950-620	Washer
14	—	972-300	Sleeve
15	—	940-240	Handle <i>New Style</i>
16	35646B	971-600	Handle Screw
17	—	949-335	Hot & Cold Washer
18	—	941-950	Handle Index Button
19	88391	—	Handle Assembly <i>New Style</i>



REPAIRS FOR

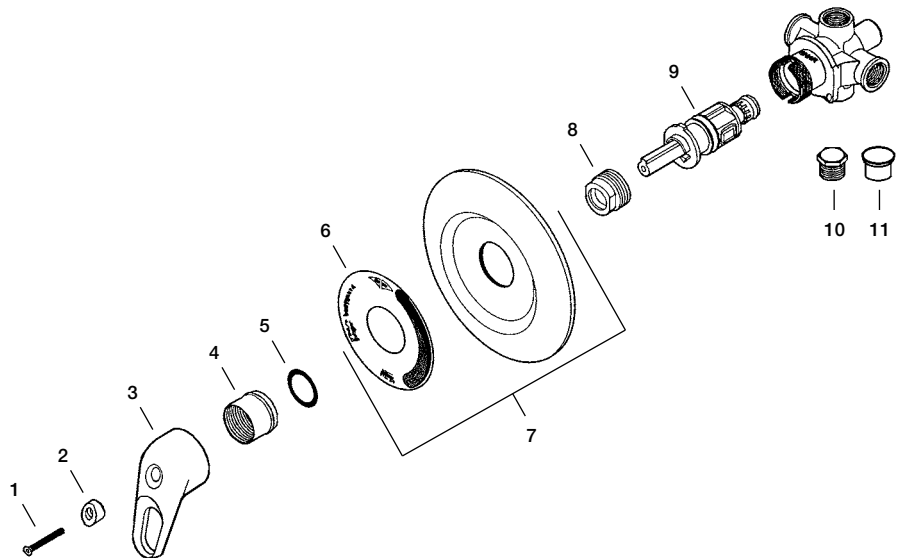
PRICE PFISTER

BATH FIXTURE

Series 09

Item No.	Stock No.	OEM Ref No.	Description
1	—	971-130	Handle Screw
2	—	941-345A	Handle Button
3	—	940-145A	Loop Handle
4	—	972-300A	Sleeve
5	—	950-620	Washer
6	—	976-9CLB	Label for Flange
7	—	960-035A	Flange with Label

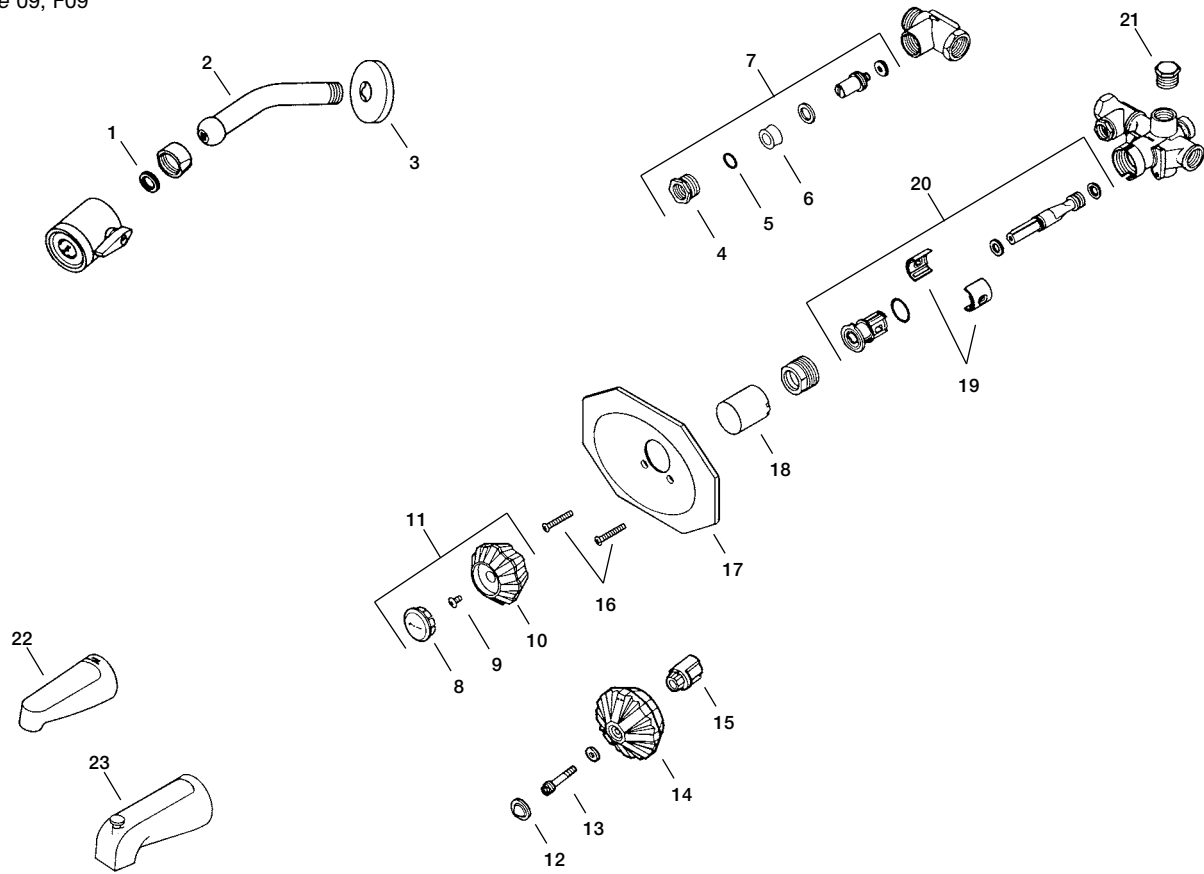
Item No.	Stock No.	OEM Ref No.	Description
8	—	962-240	Nut Collar
9	80550	974-292	Cartridge Assembly
10	94570BE	931-510	1/2" Hollow Pipe Plug
11	—	972-827	Solder Plug



PRICE PFISTER

BATH FIXTURE

Series Avante 09, F09



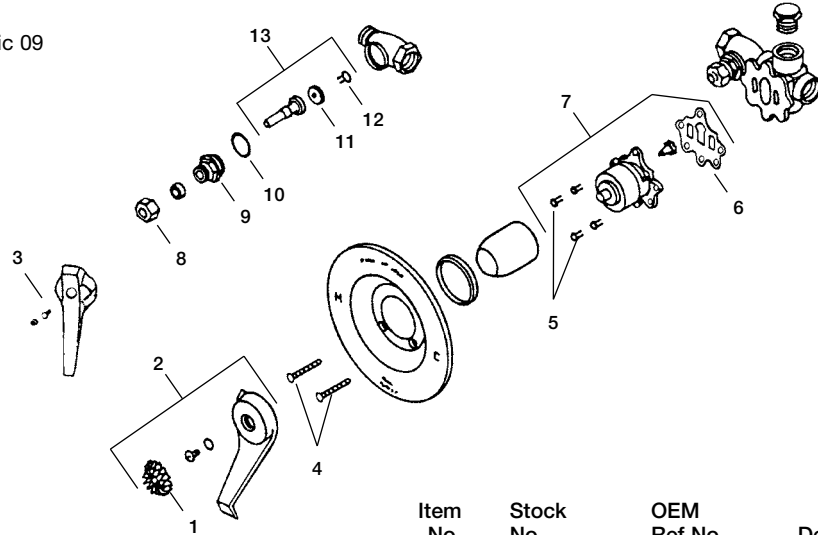
Item No.	Stock No.	OEM Ref No.	Description
1	—	949-060	Shower Arm Gasket
2	—	973-011	Shower Arm <i>Chrome Plated</i>
3	89172	960-170	Shower Arm Flange <i>Chrome Plated</i>
4	—	930-020	Stop Bonnet
5	35726B	950-850	Stop O-Ring
6	36630B	951-780	Bonnet Packing
7	—	910-671	Stop Stem & Bonnet Assembly
8	—	941-045	Handle Button
9	35646B	971-950	Handle Screw
10	—	974-300	Handle
11	88391	—	Handle Assembly
12	—	941-015	Handle Button
13	—	971-503	Handle Screw
14	—	940-015	Handle
15	—	970-015	Handle Adapter
16	—	971-760	Escutcheon Screws 2 Required <i>Chrome</i>
		971-760P	Escutcheon Screws 2 Required <i>Polished Brass</i>
17	—	960-370	Escutcheon <i>Chrome</i>
		960-370P	Escutcheon <i>Polished Brass</i>
18	—	972-270	Sleeve
19	88207	—	Cartridge Seals
20	80550	974-292	Cartridge Assembly
21	—	931-910	Retainer Nut
22	—	920-130	Bath Spout less Diverter <i>Chrome Plated Brass</i>
23	88052	920-320	Bath Spout with Diverter <i>Chrome Plated Die Cast</i>
	54067BE	931-510	1/2" Hollow Pipe Plug <i>Not Illustrated</i>

REPAIRS FOR

PRICE PFISTER

BATH FIXTURE

Series Crown Imperial Flow-Matic 09



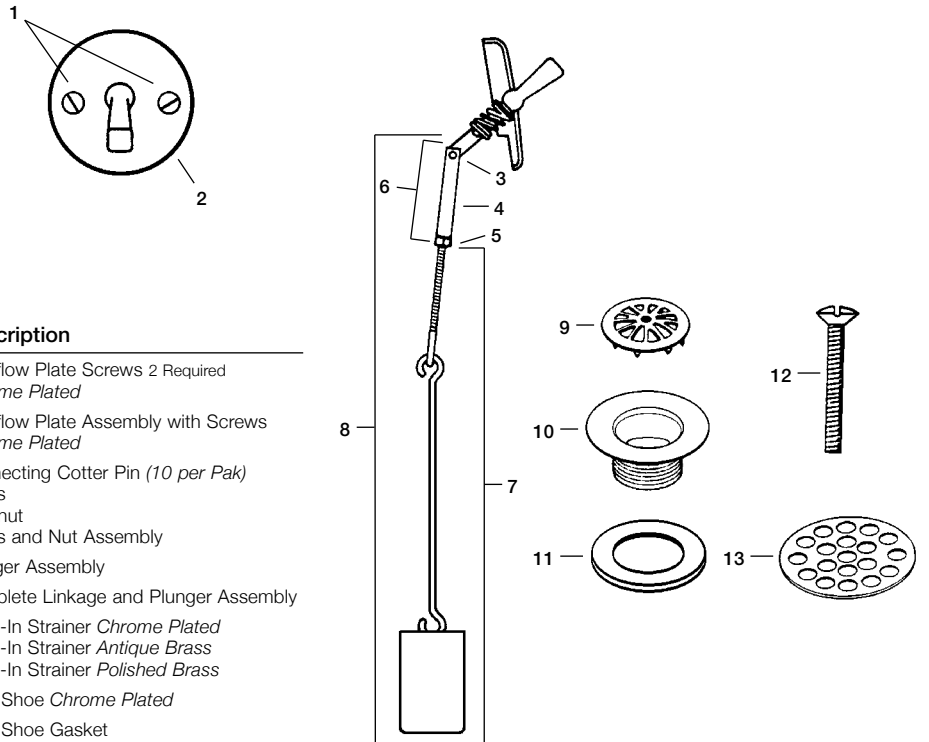
Item No.	Stock No.	OEM Ref No.	Description	Item No.	Stock No.	OEM Ref No.	Description
1	—	941-150	Handle Cap	6	—	951-520	Body Gasket
2	88392	940-321	Handle Assembly	7	31654 88734	900-022 900-022	Cartridge Assembly Cartridge Assembly (<i>carded</i>)
3	35646B	971-690	Handle Screw	8	—	931-010	Packing Nut
4	—	05528-01	Escutcheon Mounting Screw 2 Required	9	—	930-070	Bonnet
5	—	971-510	Cartridge Mounting Screw (Bibb) (4 Required)	10	—	950-060	Cap Thread Gasket
				11	35062B	5103-02	00 Flat Bibb Washer
				12	35154B	05503-02	Bibb Screw <i>Chrome Plated</i>
				13	—	910-191	Stop Stem

REPAIRS FOR

PRICE PFISTER

BATH DRAIN

Series 19



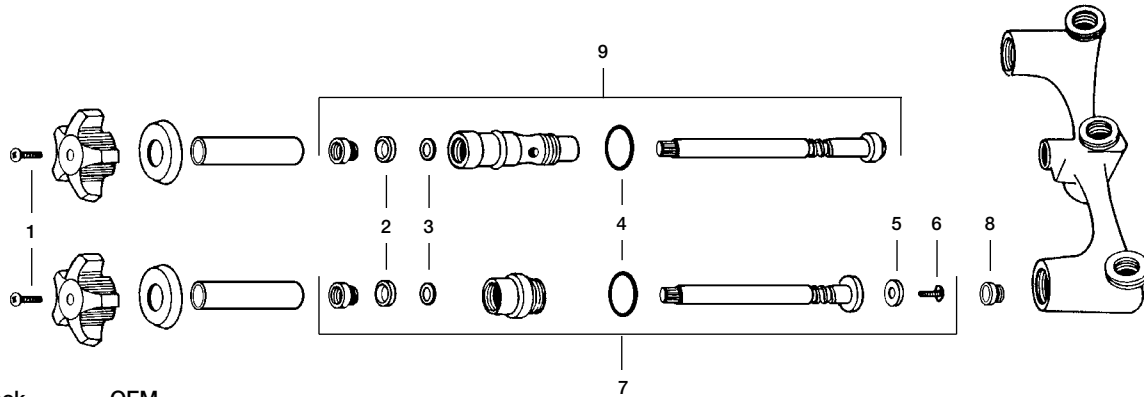
Item No.	Stock No.	OEM Ref No.	Description
1	36557B	971-540	Overflow Plate Screws 2 Required <i>Chrome Plated</i>
2	88975	960-041	Overflow Plate Assembly with Screws <i>Chrome Plated</i>
3	41207Z	972-040	Connecting Cotter Pin (10 per Pak)
4	—	972-050	Clevis
5	—	931-550	Locknut
6	—	972-051	Clevis and Nut Assembly
7	—	972-711	Plunger Assembly
8	—	—	Complete Linkage and Plunger Assembly
9	88930	972-700	Snap-In Strainer <i>Chrome Plated</i>
		972-700N	Snap-In Strainer <i>Antique Brass</i>
	88928	972-700P	Snap-In Strainer <i>Polished Brass</i>
10	89204	972-721	Bath Shoe <i>Chrome Plated</i>
11	36550B	949-310	Bath Shoe Gasket
12	—	—	Strainer Screw <i>Chrome Plated</i>
13	80061	—	Strainer <i>Chrome Plated</i>

REPAIRS FOR

SAVOY

BATH FIXTURE

Series Crown

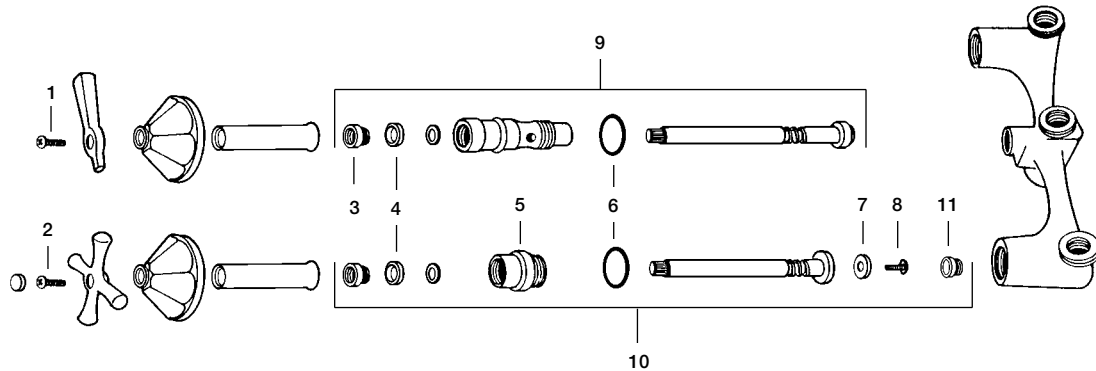


Item No.	Stock No.	OEM Ref No.	Description
1	35646B	985	Handle Screw
2	35231C	—	Bonnet Packing
3	35206B	69	Bonnet Packing
4	35549B	6	Cap Thread Gasket
5	35066B	2	3/8 Flat Bibb Washer
6	35153B	4	Bibb Screw
7	15865B	868	Stem with Bonnet R.H. Hot & Cold
8	—	33	Bibb Seat Brass (10 per Pak)
9	—	—	Stem with Bonnet Diverter

REPAIRS FOR

SAVOY

BATH FIXTURE

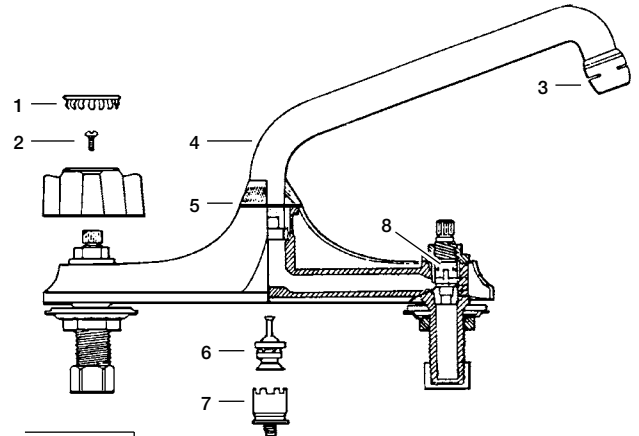
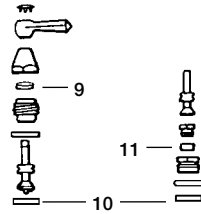


Item No.	Stock No.	OEM Ref No.	Description
1	35646B	90	Handle Screw
2	35654B	25	Handle Screw
3	—	—	Packing Nut
4	35231C	8	Bonnet Packing
5	—	—	Bonnet R.H. Hot & Cold
6	35549B	6	Cap Thread Gasket
7	35066B	2	3/8 Flat Bibb Washer
8	35153B	4	Bibb Screw
9	—	—	Stem with Bonnet Diverter
10	15865B	22	Stem with Bonnet R.H. Hot & Cold
11	—	33	Bibb Seat Brass (10 per Pak)

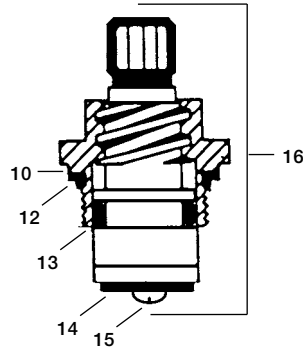
REPAIRS FOR

SAYCO

KITCHEN FAUCET



Item No.	Stock No.	OEM Ref No.	Description
1	26005B 26006B	MAS-23 MAS-23	Index Button <i>Hot</i> Index Button <i>Cold</i>
2	—	9	Handle Screw
3	10489	283	Aerator
4	—	287	6" Spout
5	—	287	8" Spout
6	35728B	288	Spout O-Ring
7	—	405-U 405-L	Upper Diverter Unit Lower Diverter Unit
8	30038E	6	Seat <i>Brass</i>
9	12405B	43	Packing
10	35549B	51	Fiber Washer
11	35206B	571	Packing
12	35749B	—	O-Ring
13	35725B	5710	O-Ring
14	—	4	Seat Washer
15	—	9-125	Bibb Screw
16	15431E 15432E	4500 4500	Stem R.H. <i>Hot & Cold</i> Stem L.H. <i>Cold</i>



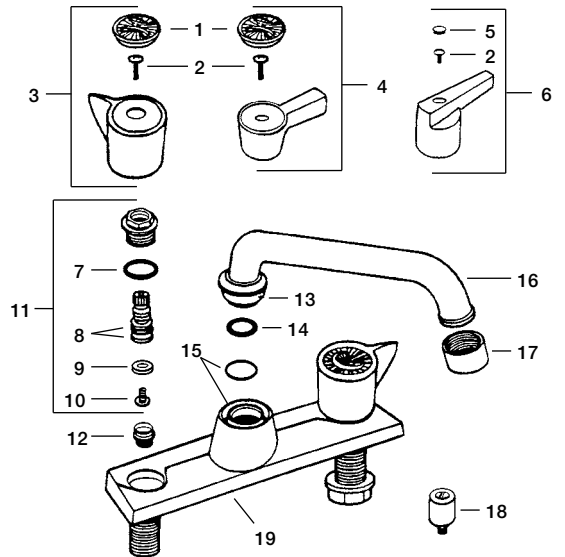
REPAIRS FOR

SAYCO

KITCHEN FAUCET

800T, 802D, 820, 822, 830, 832

Item No.	Stock No.	OEM Ref No.	Description
1	26005B 26006B	23H-F-69 23C-F-69	Index Button <i>Hot</i> Index Button <i>Cold</i>
2	35141B	9-F-55	Handle Screw
3	80407	—	(1) Pair Handles
4	—	40-F-52 40-F-52	Handle <i>Hot</i> Handle <i>Cold</i>
5	—	41-5-71 41-5-72	Index Button <i>Hot</i> Index Button <i>Cold</i>
6	—	F76 F76	Handle <i>Hot</i> Handle <i>Cold</i>
7	35749B	5850	Cap Thread Gasket
8	35725B	5710	O-Ring
9	35062B	4	00 Flat Bibb Washer
10	35141B	9-A-5	Bibb Screw
11	15431E 15432E	K4500R K4500L	Stem with Bonnet R.H. <i>Hot</i> Stem with Bonnet L.H. <i>Cold</i>
12	30112E	6	Bibb Seat
13	—	291	Spout Nut
14	—	2879	Snap Ring
15	35728B 35754B	2878 —	Spout O-Ring (<i>Lower</i>) Spout O-Ring (<i>Upper</i>)



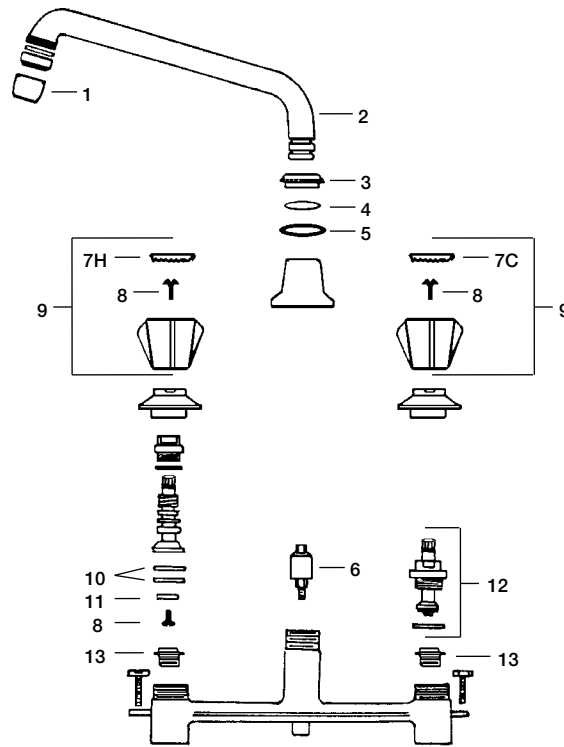
Item No.	Stock No.	OEM Ref No.	Description
16	—	K287	Spout Assembly
17	10481	—	15/16F Aerator
18	—	403XLS	Spray Diverter
19	—	821	Faucet Escutcheon

REPAIRS FOR

SAYCO

KITCHEN FAUCET

Series 2080



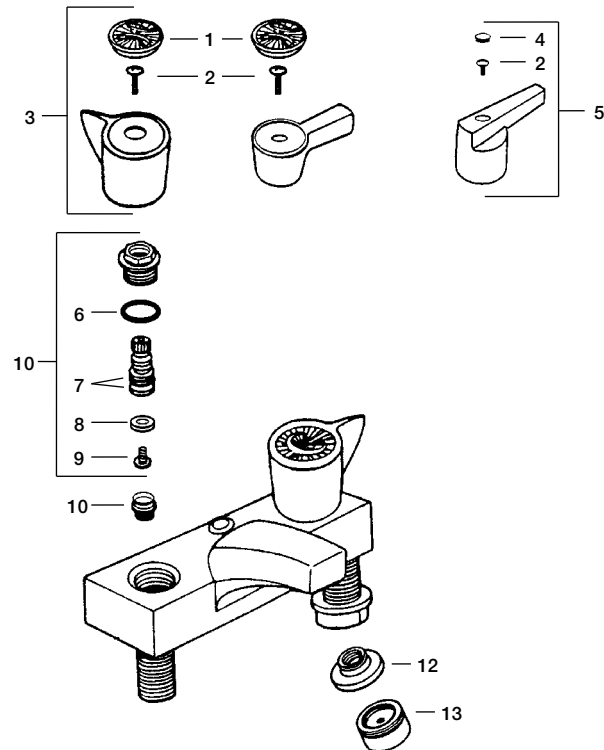
Item No.	Stock No.	OEM Ref No.	Description
1	10481	—	15/16F Aerator
2	—	287	Spout Assembly
3	—	291	Spout Nut
4	—	2879	Swing Spout Ring
5	35728B	2878	Spout O-Ring
6	—	403XLS	Spray Diverter
7H	—	23	Index Button <i>Hot</i>
7C	—	23	Index Button <i>Cold</i>
8	35141B	9-A-5	Bibb Screw <i>Brass</i>
9	80407	—	(1) Pair Handles
10	35725B	-	Stem O-Ring
11	35062B	4	00 Flat Bibb Washer
12	15431E	K-4500	Stem with Bonnet R.H. Hot & Cold
13	30026E	6	Bibb Seat <i>Brass</i>

REPAIRS FOR

SAYCO

LAVATORY FAUCET

Series 204, 2042

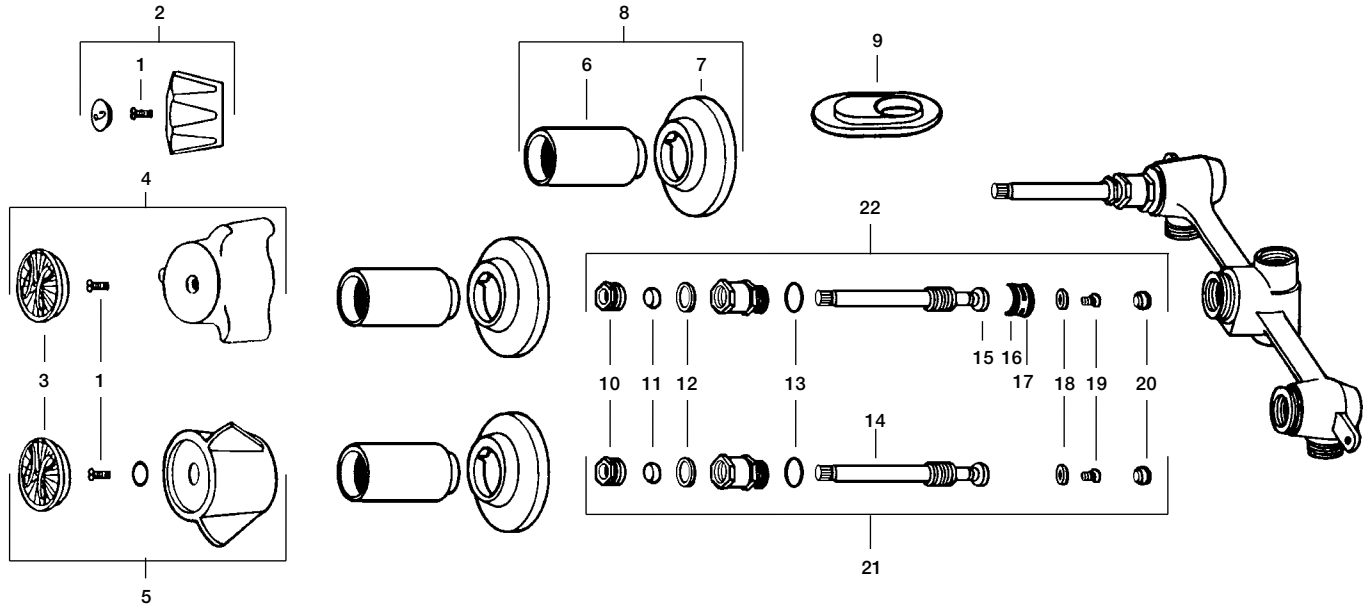


Item No.	Stock No.	OEM Ref No.	Description
1	—	23H-F-69	Index Button <i>Hot</i>
	—	23C-F-69	Index Button <i>Cold</i>
2	35141B	9-F-55	Handle Screw
3	80407	—	(1) Pair Handles
4	—	100H	Index Button <i>Hot</i>
	—	101C	Index Button <i>Cold</i>
5	—	F76	Handle <i>Hot</i>
	—	F76	Handle <i>Cold</i>
	—	—	(1) Pair Handles
6	35749B	5850	Cap Thread Gasket
7	35725B	5710	Stem O-Ring
8	35062B	4	00 Flat Bibb Washer
9	35141B	9-A-5	Bibb Screw
10	15431E	K-4500	Stem with Bonnet R.H. Hot
	15432E	K-4500	Stem with Bonnet L.H. Cold
11	30038E	6	Bibb Seat <i>Brass</i>
12	—	—	Aerator Adapter
13	10483	—	15/16M Aerator

SAYCO

BATH FIXTURE

Series 308, T308



Item No.	Stock No.	OEM Ref No.	Description
1	—	9-F-55	Handle Screw
2	—	P275	Diverter Handle Assembly
3	—	23	Index Button <i>Hot</i>
	—	23	Index Button <i>Cold</i>
	—	23	Index Button <i>Diverter</i>
4	88746 88751	—	(1) Pair Handle Assemblies Diverter Handle Assembly
5	88084 88083	22-F-79 22-F-79	(1) Pair Handle Assemblies Diverter Handle Assembly
6	—	30-F-92	Escutcheon Tube
7	—	28-F-90	Escutcheon
8	10307	—	Escutcheon & Escutcheon Tube
9	—	28-A-92	Elongated Escutcheon
10	—	A032	Packing Nut
11	36623B	571	Bonnet Packing
12	—	49	Top Bibb Ring
13	35543B	5850	Cap Thread O-Ring
14	—	K-13	Stem R.H. Hot & Cold
15	35724B	—	Diverter O-Ring
16	35749B	—	Diverter Extension O-Ring
17	—	32	Diverter Extension
18	35062B	4	00 Flat Bibb Washer
19	—	9A-5	Bibb Screw
20	30038E	6	Bibb Seat <i>Brass</i>
21	15884B	P002	Stem with Bonnet R.H. Hot & Cold
22	15886B	—	Stem with Bonnet Diverter

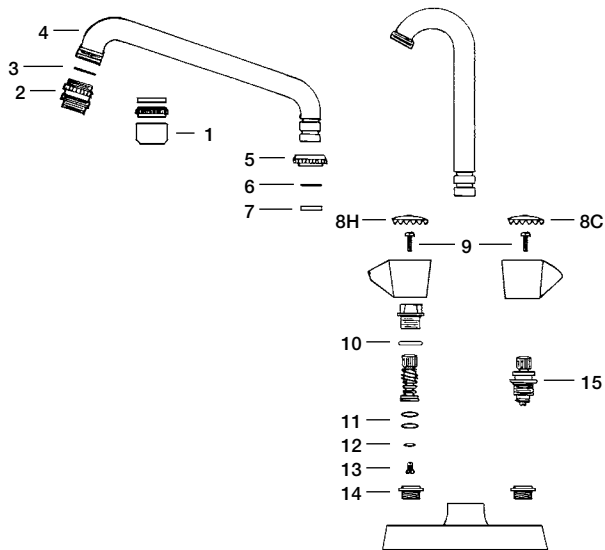
Stock No.	OEM Ref No.	Description
39620	—	Sub/Shower Remodeling Kit
	<i>Contains:</i>	(2) 15884 Stem Assembly Hot/Cold (1) 15886 Stem Assembly Diverter (3) 30112 Bibb Seat (1) 20193 Handle Pair Hot & Cold (1) 20127 Handle Diverter (3) 34944 Escutcheon Flange (3) 34567 Escutcheon Sleeve (1) 60900 Bonnet Wrench

REPAIRS FOR

SAYCO

LAUNDRY FAUCET

Series 114, 115



Item No.	Stock No.	OEM Ref No.	Description
1	—	283	Aerator
2	—	H11F	Female Hose Adapter
3	—	424	Fiber Washer
4	—	287	6" Tubular Spout
	—	287	8" Tubular Spout
5	—	291	Cone
6	—	2879	Snap Ring
7	35728B	2878	O-Ring
8H	—	23H-F-69	Index Button <i>Hot</i>
8C	—	23C-F-69	Index Button <i>Cold</i>
9	—	9-F-55	Handle Screw
10	35549B	5850	O-Ring
11	35725B	5710	O-Ring
12	35062B	4	00 Flat Bibb Washer
13	—	9-A-5	Bibb Screw
14	30038E	6	Seat
15	15431E	K-4500	Stem with Bonnet R.H. Hot
	15432E	K-4500	Stem with Bonnet L.H. Cold

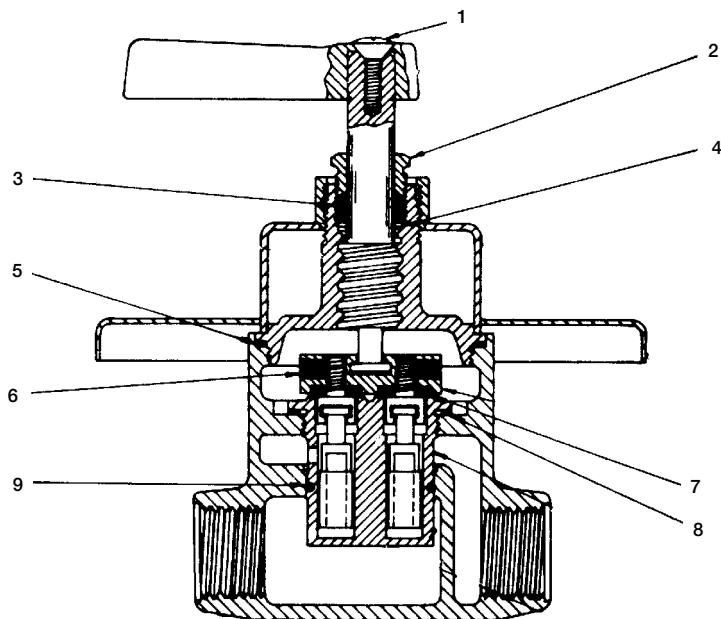
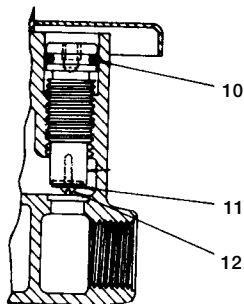
REPAIRS FOR

SPEAKMAN

BATH MIXING VALVE

Series Kent SG-1023 Dual Plunger Type

Section of Integral Stop
As Used On SG-1023 Valve



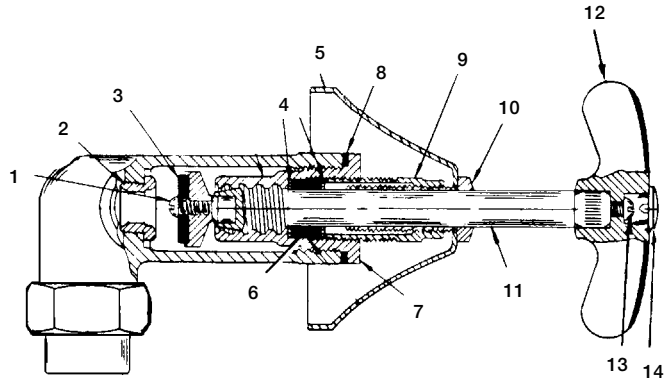
Item No.	Stock No.	OEM Ref No.	Description
1	35639B	48-0108	Handle Screw
2	—	01-0513	Packing Nut
3	35218B	49-0067	Packing
4	—	45-0179	Brass Washer
5	—	45-0410	Hub Washer
6	—	48-0116	Screw
7	35064B	45-0385	1/4 Flat Bibb Washer
8	—	45-0459	Block Washer
9	35740B	49-0093	O-Ring
10	35727B	49-0083	O-Ring
11	35062B	45-0420	00 Flat Bibb Washer
12	—	48-0019	Seat Washer Screw

REPAIRS FOR

SPEAKMAN

CONCEALED BATH VALVE

Series S-1050, Diamond S-3100, S-3105, S-3110, S-3115, S-3220, S-3222, S-3223, S-3224, S-3226



Item No.	Stock No.	OEM Ref No.	Description
1	—	48-0019	Screw
2	—	05-0451	Seat (10 per Pak)
3	35069B	45-0036	Seat Washer
4	35365	45-0210	Washer Brass
5	—	10-0171	Escutcheon
6	36629B	49-0063	Packing
7	—	06-0050	Hub
8	35581B	45-0154	Fiber Washer
9	—	01-0333	Packing Nut
10	—	01-0334	Cap Nut

Item No.	Stock No.	OEM Ref No.	Description
11	—	G03-0112	Spindle Assembly
12	—	04-0270	Handle Hot
	—	04-0270	Handle Cold
13	35646B	48-0105	Handle Screw
14	—	41-0087	Index Button Hot
	—	41-0088	Index Button Cold

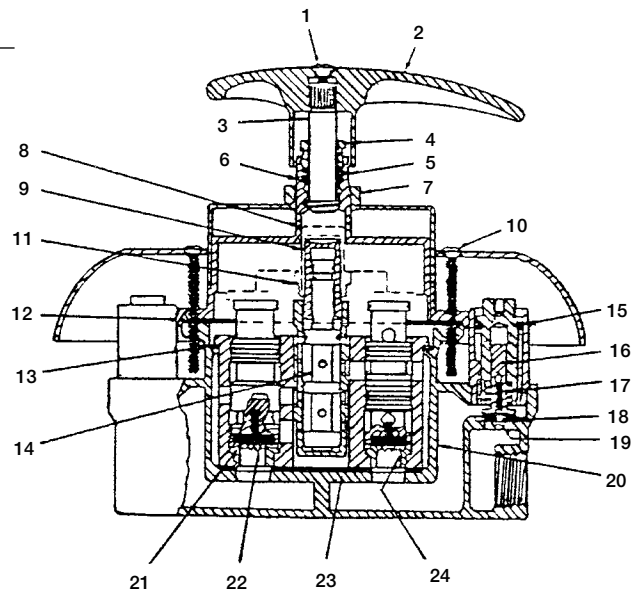
REPAIRS FOR

SPEAKMAN

CONCEALED BATH MIXING VALVE

Models *Sentinel* with Integral Stops S-1700-IS, S-1710, S-1715-IS, S-1735-IS S-1760-IS S-1775-IS S-1777-IS S-3080-IS Model 60

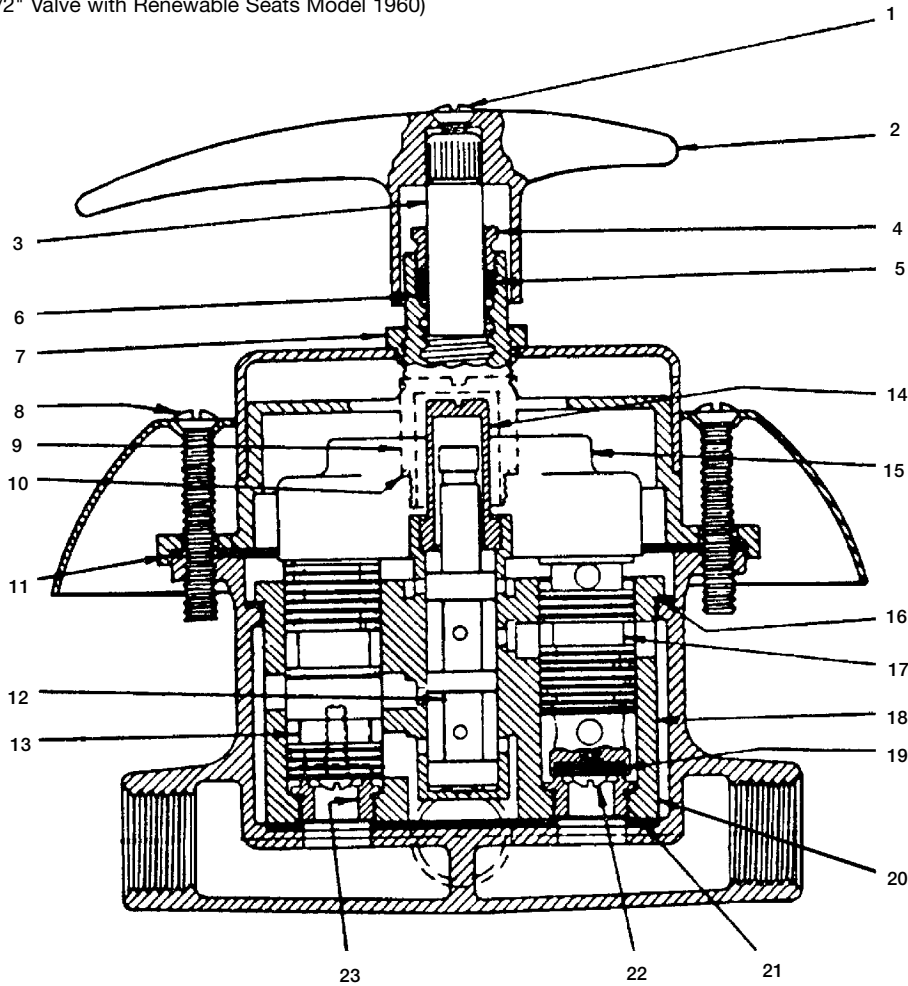
Item No.	Stock No.	OEM Ref No.	Description
1	35639B	48-108	Handle Screw
2	—	4-305	Handle
3	—	3-278	Spindle
4	—	1-550	Packing Nut
5	35218B	49-67	Packing
6	—	45-179	Washer Brass
7	—	1-544	Dial Nut
8	—	7-35	Cap
9	—	7-36	Cap
10	—	48-93	Escutcheon Screw
11	—	45-369	Fiber Washer
12	—	45-366	Hub Washer
13	—	45-367	Top Block Washer
14	—	5-864	Piston
15	35727B	49-83	O-Ring
16	—	40-41	Disc
17	—	37-50	Spring
18	35062B	45-420	Integral Stop Seat Washer
19	—	48-19	Integral Stop Seat Washer Screw
20	—	G5-218	Valve Block Assembly with Yoke, Plunger, Piston and Washer
21	35064B	45-385	Seat Washer
22	—	48-97	Seat Washer Screw
23	—	45-368	Bottom Block Washer
24	—	5-1174	Renewable Seat 2 Required (10 per Pak)



SPEAKMAN

PRESSURE-BALANCED BATH MIXING VALVE

Models Sentinel S-1725, S-1735 (1/2" Valve with Renewable Seats Model 1960)

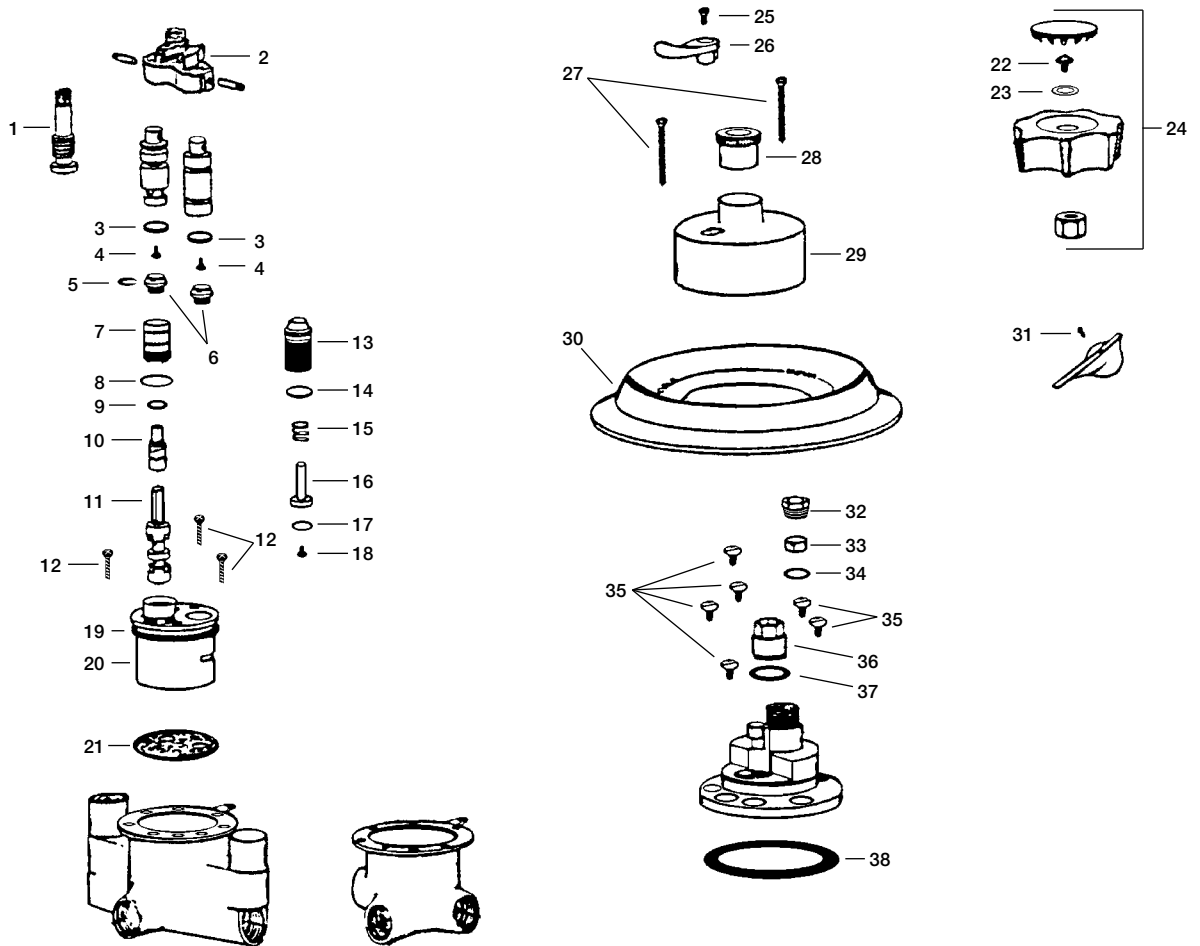


Item No.	Stock No.	OEM Ref No.	Description
1	35639B	48-0108	Handle Screw
2	—	04-0322	Handle
3	—	03-0278	Spindle
4	—	01-0513	Packing Nut
5	35218B	49-0058	Packing
6	—	45-0179	Washer Brass
7	—	01-0623	Knurled Nut
8	—	48-0093	Wall Plate Screw 3 Required
9	—	07-0035	Sentinel No. 1 Cap
10	—	45-0369	Stem Cap Washer
11	—	—	Top Block Washer (Use Cat. No. 37341)
12	—	05-0864	Floating Sentinel
13	—	—	Hot Plunger ((Use Cat. No. 37286)
14	—	07-0036	Sentinel No. 2 Cap
15	—	—	Yoke (Use Cat. No. 37286)
16	—	45-0366	Hub Washer
17	—	—	Cold Plunger (Use Cat. No. 37286)
18	—	—	Valve Block (Use Cat. No. 37281)
19	35064B	45-0385	1/4 Flat Bibb Washer 2 Required
20	—	G05-218	Valve Block Unit Complete with Plungers, Washers, Yoke, Floating Sentinel, Screws and Seats
21	—	—	Bottom Block Washer (Use Cat. No. 37341)
22	—	48-0097	26 Washer Screw 2 Required
23	—	05-1174	Renewable Seat 2 Required (10 per Pak)
	—	48-0099	Hub Screw Not Illustrated

SPEAKMAN

SENTINEL BATH FIXTURE

Built-In Valve Models S-1835-IS (with Volume Control & Integral Stops) Model 182



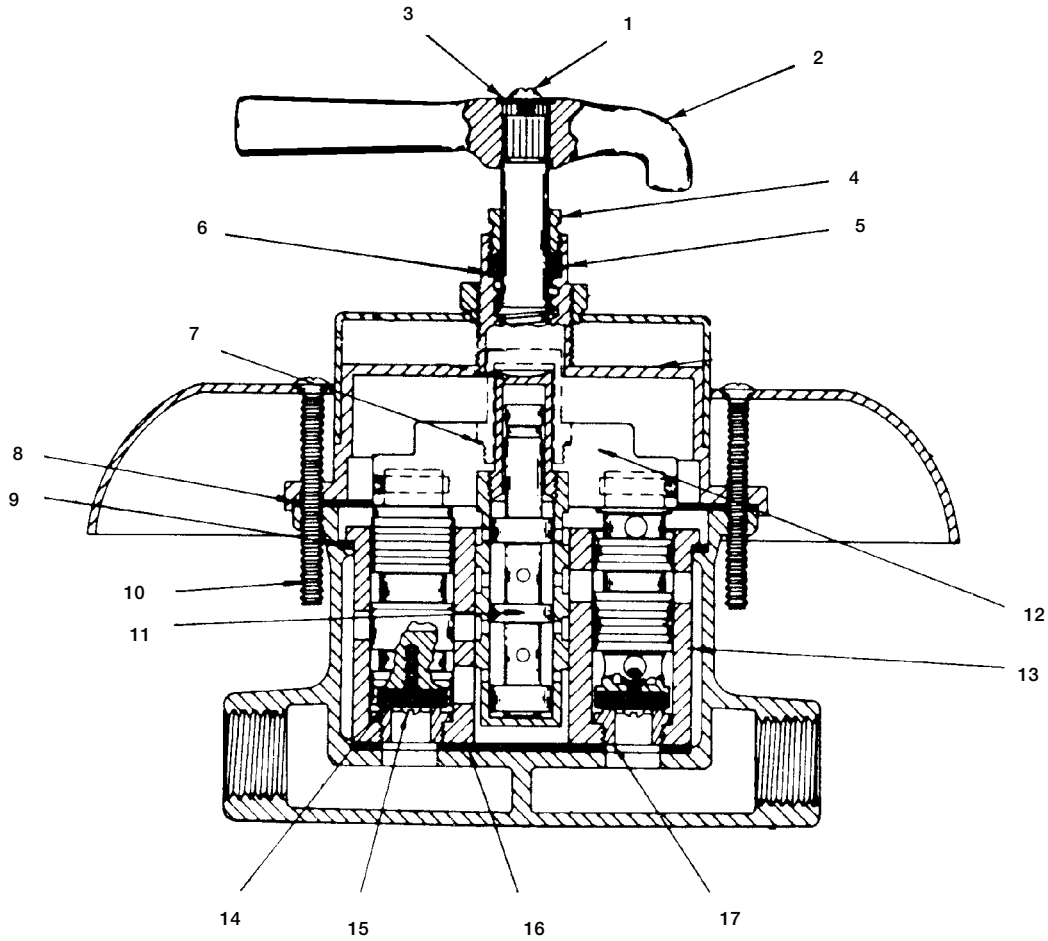
Item No.	Stock No.	OEM Ref No.	Description
1	—	3-32	Spindle
2	—	G15-0046	Yoke & Plunger Assembly
3	35064B	45-0385	1/4 Flat Bibb Washer
4	—	48-0097	Bibb Screw
5	—	5-1271	Clip
6	—	5-1174	Seat (10 per Pak)
7	—	5-1270	Extension Guide Post
8	35742B	49-0097	O-Ring
9	35722B	49-0075	O-Ring
10	—	5-1629	Piston Extension
11	—	5-1268	Piston
12	—	48-0095	Valve Block Screw
13	—	3-351	Stop Spindle
14	35727B	49-0083	O-Ring
15	—	37-0050	Spring
16	—	G40-0001	Disc Assembly
17	35062B	45-0420	Integral Stop Seat Washer
18	—	48-0019	Integral Stop Seat Washer Screw
19	—	45-0367	Top Block Washer (Use 45-0366)
20	—	G5-218	Block Seat & Chamber Assembly
21	—	45-0368	Bottom Block Washer (Use 45-0366)
22	—	48-0201	Handle Screw
23	—	45-0375	Washer Brass
24	—	G4-217	Handle Assembly Acrylic

Item No.	Stock No.	OEM Ref No.	Description
25	35639B	48-0052	Volume Control Handle Screw
26	—	4-316	Volume Control Handle
27	—	48-0147	Wall Plate Screw
28	—	1-623	Dial Nut
29	—	10-204	Dial Plate
30	—	10-206	Wall Plate
31	35639B	48-0108	Lever Handle Screw
32	—	1-513	Packing Nut
33	35218B	49-0058	Packing
34	—	45-0179	Washer
35	—	48-0179	Hub Screw
36	—	1-624	Bonnet
37	—	45-0369	Washer Fiber
38	—	45-0366	Hub Washer

SPEAKMAN

CONCEALED BATH MIXING VALVE

Series **Sentinel** S-1735 Model 57



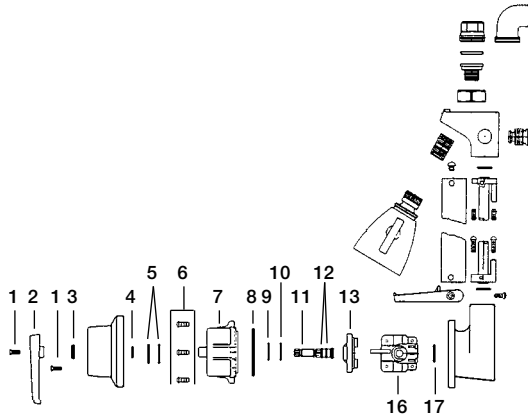
Item No.	Stock No.	OEM Ref No.	Description
1	35646B	48-0092	Handle Screw
2	—	04-0250	Handle
3	—	45-0375	Washer Brass
4	—	01-0513	Packing Nut
5	35218B	49-0067	Packing
6	—	45-0179	Washer Brass
7	35564B	45-0369	Washer Fiber
8	—	45-0366	Hub Washer
9	—	45-0367	Top Block Washer
10	—	48-0093	Escutcheon Screw
11	—	05-0864	Piston
12	—	G15-0046	Yoke & Plunger Assembly
13	—	G05-0218	Complete Valve Block
14	35064B	45-0385	1/4 Flat Bibb Washer
15	—	48-0097	Seat Washer Screw
16	—	45-0368	Bottom Block Washer
17	—	05-1174	Renewable Seat (10 per Pak)

REPAIRS FOR

SPEAKMAN

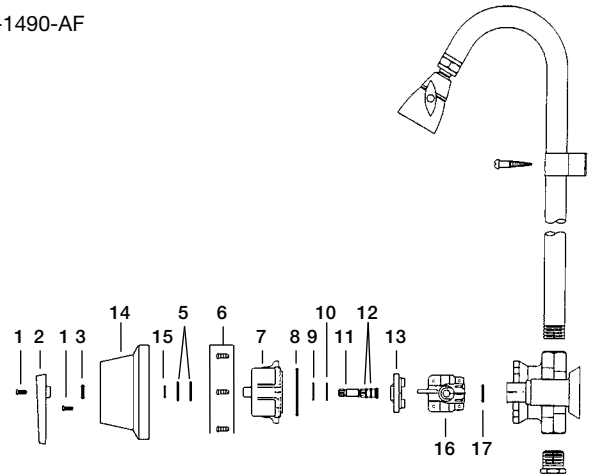
SHOWER FIXTURES

Series **Sentinel Mark II Regency Exposed Shower S-1495-AF**, Shower Pac S-1490-AF



SR-1490-AF

Item No.	Stock No.	OEM Ref No.	Description
1	35649B	48-0256	Flathead Screw
2	—	04-0394	Lever Handle
3	—	05-1623	Spindle Bushing
4	—	49-0098	Retaining Ring
5	—	05-1634	Stop Plate
6	—	48-0098	Round Head Screw
7	—	05-1537	Bonnet
8	—	49-0126	O-Ring
9	—	45-0540	Friction Washer
10	36615B	45-0539	Washer Brass



SR-1495-AF

Item No.	Stock No.	OEM Ref No.	Description
11	—	03-0425	Spindle
12	35723B	49-0076	O-Ring
13	—	G05-0412	Regulating Module
14	—	10-0261	Escutcheon
15	35724B	49-0087	Retaining Ring
16	—	G05-0413	Balancing Module with Quad Rings
17	—	49-0127	Quad Ring

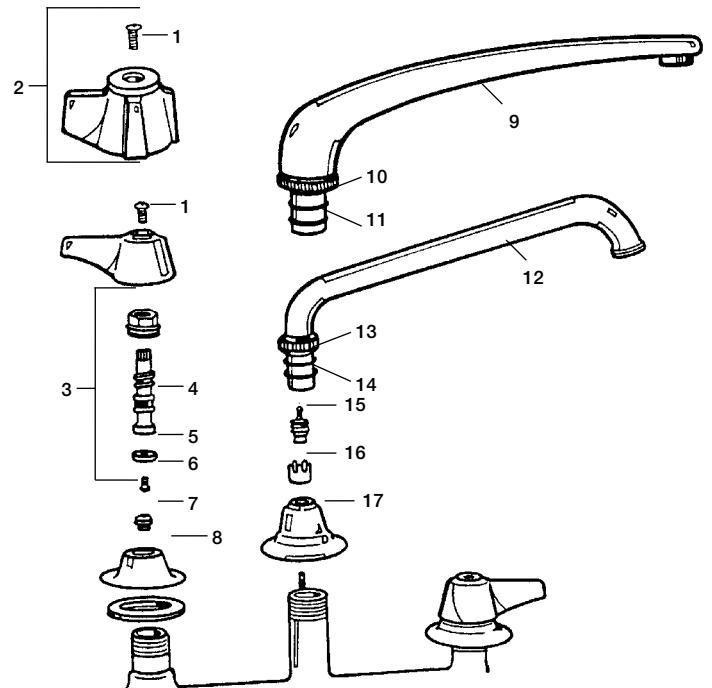
REPAIRS FOR

STERLING

KITCHEN FAUCET

Series 25-470

Item No.	Stock No.	OEM Ref No.	Description
1	80680	—	(1) Pair Handle Assemblies
2	—	S-864	Handle Screw (10 per Pak)
3	—	99S8125	Stem with Bonnet R.H. Hot
		99S8126	Stem with Bonnet L.H. Cold
4	35725B	S-1037	Stem O-Ring
5	35062B	S-358	00 Flat Bibb Washer
6	—	S-268	Bibb Screw
7	30017E	S-369	Bibb Seat Brass
8	—	S-3340	Escutcheon
9	—	S-2890	Spout Assembly Cast Brass
10	—	S1247	Snap Ring
11	35734B	S1246	Spout O-Ring
12	—	A8364	Spout Assembly
13	—	S907	Snap Ring
14	35728B	S906	Spout O-Ring
15	—	S1056	Upper Spray Diverter
16	—	S1057	Lower Spray Diverter
17	—	S1082	Escutcheon



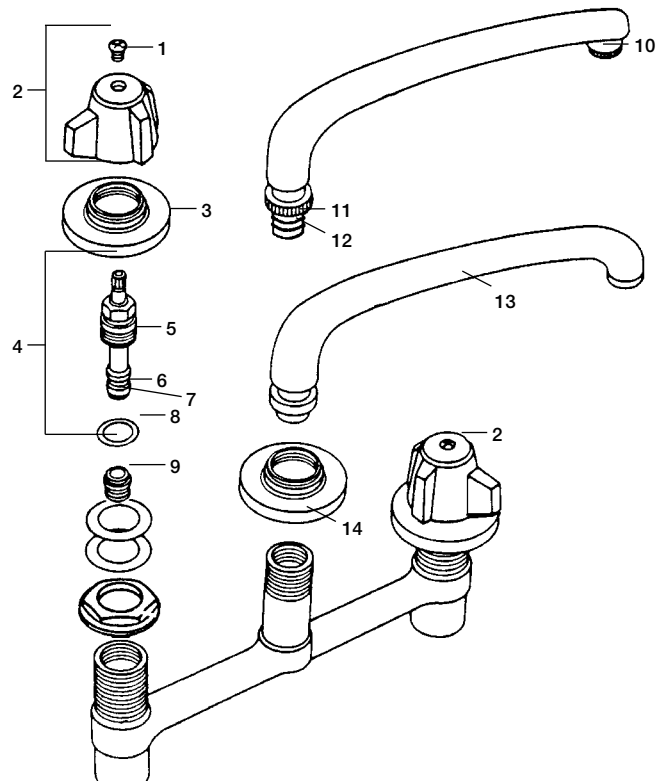
REPAIRS FOR

STERLING

KITCHEN FAUCET

Series 25-620, 25-630, 25-660, 25-670

Item No.	Stock No.	OEM Ref No.	Description
1	—	S-0864-43	Handle Screw (10 per Pak)
2	80680	—	(1) Pair Handle Assemblies
3	—	99S5170	Escutcheon
4	—	A8243	Stem with Bonnet R.H. Hot
	—	A8244	Stem with Bonnet L.H. Cold
5	35725B	99S1037	O-Ring
6	35062B	99S0358	00 Flat Bibb Washer
7	—	S-0268-03	Bibb Screw
8	—	99S0434	Cap Thread Gasket
9	30017E	99S0369	Bibb Seat Brass
10	10481	—	15/16F Aerator
11	—	S-0907-16	Swing Spout Ring
12	35728B	99S0906	O-Ring
13	—	A2890	Spout Assembly
14	—	99S5169	Escutcheon



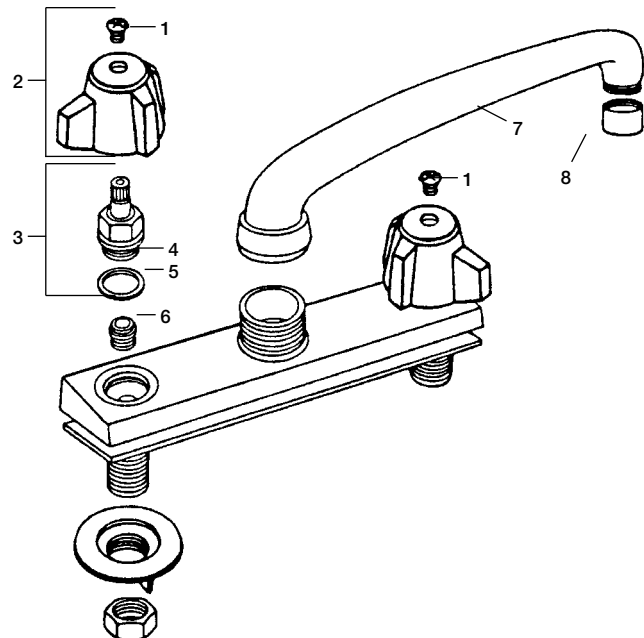
REPAIRS FOR

STERLING

KITCHEN FAUCET

Series 26, 261

Item No.	Stock No.	OEM Ref No.	Description
1	—	—	Handle Screw
2	80680	—	(1) Pair Handle Assemblies
3	15643E	A8153	Stem with Bonnet R.H. Hot
	15644E	A8154	Stem with Bonnet L.H. Cold
4	35062B	99S0358	00 Flat Bibb Washer
5	35784B	99B0131	Cap Thread Gasket
6	30017E	99S0369	Bibb Seat Brass
7	—	A2098	Spout Assembly
8	10481	15410	15/16F Aerator
	35728B	S-0907-15	Spout O-Ring for A8364 Spout <i>Not Illustrated</i>

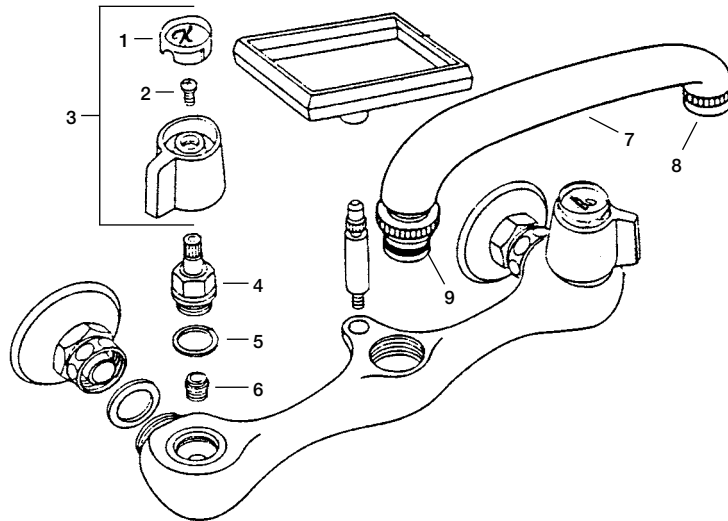


REPAIRS FOR

STERLING

KITCHEN FAUCET

Wall Mount Series 27



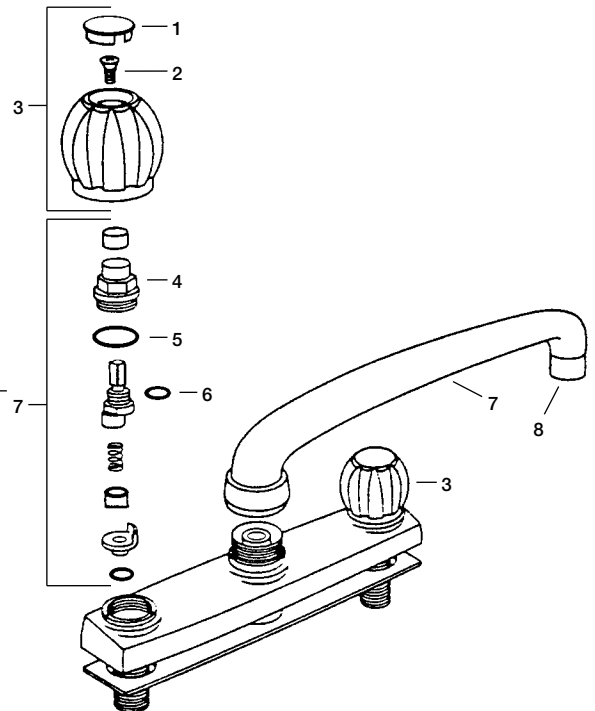
Item No.	Stock No.	OEM Ref No.	Description	Item No.	Stock No.	OEM Ref No.	Description
1	—	A1904	Index Button <i>Hot (5 per Pak)</i>	5	35570B	99S0434	Cap Thread Gasket
	—	A1905	Index Button <i>Cold (5 per Pak)</i>	6	30017E	99S0369	Bibb Seat <i>Brass</i>
2	—	34	Handle Screw	7	—	A8185	Spout Pack
3	88509	—	(1) Pair Handle Assemblies	8	10481	100F	15/16F Aerator
4	15643E 15644E	A1853 A1854	Stem with Bonnet R.H. Hot Stem with Bonnet L.H. Cold	9	35728B	99S0906	Spout O-Ring
					35725B	—	Stem O-Ring <i>Not Illustrated</i>
					35062B	99S0358	00 Flat Bibb Washer <i>Not Illustrated</i>

REPAIRS FOR

STERLING

KITCHEN FAUCET

Washerless Series 081, 082



Item No.	Stock No.	OEM Ref No.	Description
1	—	99B0770	Index Button <i>Hot (5 per Pak)</i>
	—	99B0771	Index Button <i>Cold (5 per Pak)</i>
2	35644B	99B1781	Handle Screw
3	14884	A1382	(1) Pair Handle Assemblies
4	—	99B1663	Bonnet <i>Brass</i>
	—	—	Bonnet <i>Plastic</i>
5	35784B	99B0131	O-Ring
6	35725B	99S1037	O-Ring
7	17324B	05050	Stem R.H. Hot & Cold
	17457B	—	Stem with Brass Bonnet R.H. Hot & Cold
	18603B	—	Stem with Plastic Bonnet R.H. Hot & Cold
8	—	A1835	Spout
9	10481	—	15/16F Aerator
	35728B	99S0906	Spout O-Ring <i>Not Illustrated</i>

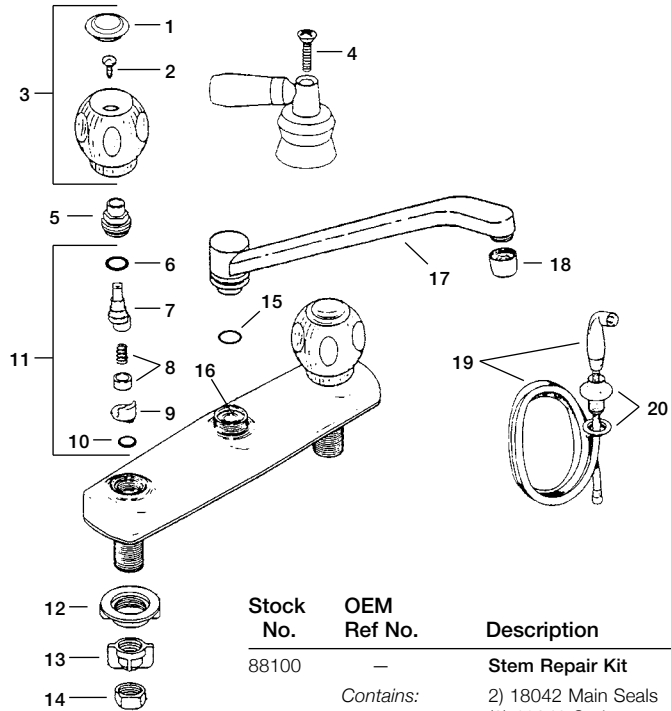
REPAIRS FOR

STERLING

KITCHEN FAUCET

Top Brass & Decorator Series 081

Item No.	Stock No.	OEM Ref No.	Description
1	—	99B9000	Index Button <i>Hot</i>
	—	99B9001	Index Button <i>Cold</i>
2	—	99B1778	Handle Screw (10 per Pak)
3	—	00A2778	(1) Pair Handle Assemblies with H/C Buttons <i>Clear</i>
4	—	99B1683	Handle Screw
5	—	99B1663	Bonnet
6	35784B	99B0131	Bonnet O-Ring
7	35725B	99S1037	Stem O-Ring
8	88745	00A1408	Main Seal & Spring Assembly
9	—	99B0465	Renewable Seat
10	35723B	99S1322	Seat O-Ring
11	17324B	05050	Valve Repair Kit
12	73113B	—	Locknut
13	—	—	Supply Nut <i>Plastic</i>
14	—	—	Supply Nut <i>Brass</i>
15	35731B	99S0906	Spout O-Ring
16	—	00A2122	Spray Diverter
17	—	00A3049	Spout Assembly <i>Chrome</i>
18	10476	15410	Aerator <i>Chrome</i>
19	80762	99S0878	Spray Head & Hose Assembly
20	86948	00A8642	Spray Hose Guide <i>Chrome</i>
	35742B	99B1432	O-Ring for Spray <i>Not Illustrated</i>



Stock No.	OEM Ref No.	Description
88100	—	Stem Repair Kit
	<i>Contains:</i>	2) 18042 Main Seals 2) 18043 Springs 2) 35723 O-Rings 2) 35784 O-Rings 2) 35725 O-Rings

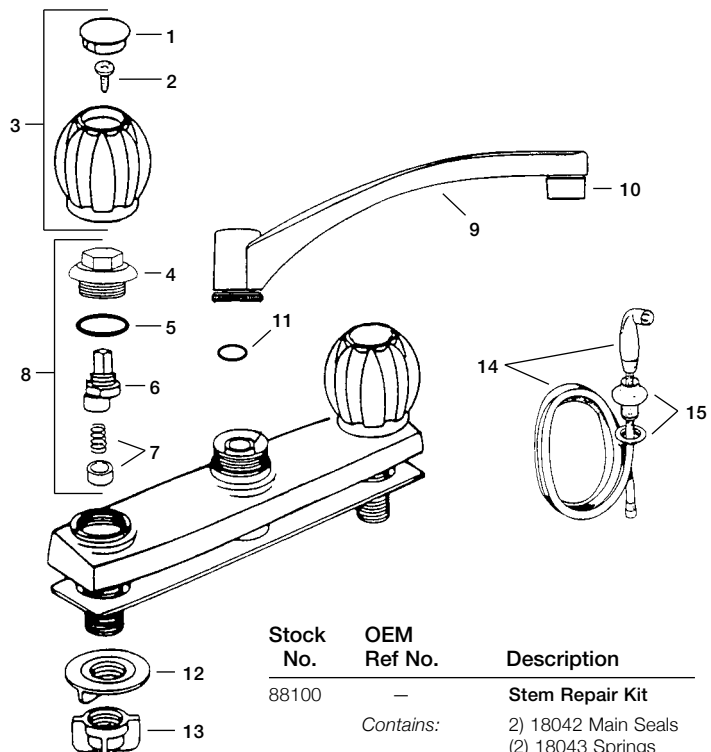
REPAIRS FOR

STERLING

KITCHEN FAUCET

Nova Series 083

Item No.	Stock No.	OEM Ref No.	Description
1	—	99B1961	Index Button <i>Hot</i> (5 per Pak)
	—	99B1962	Index Button <i>Cold</i> (5 per Pak)
2	—	99B1778	Handle Screw (10 per Pak)
3	14884	00A1382	(1) Pair Handle Assemblies
4	—	99B0796	Bonnet
5	35746B	99B0949	Bonnet O-Ring
6	35725B	99S1037	Stem O-Ring
7	88745	00A1408	Main Seal & Spring Assembly
8	17324B	—	(1) Pair Stem Assemblies
9	—	00A2760	Spout Assembly <i>Chrome</i>
10	10476	15410	Aerator <i>Chrome</i>
11	35731B	99S0906	Spout O-Ring
12	73113B	—	Locknut
13	—	—	Supply Nut <i>Plastic</i>
14	80762	99B0078	Spray Head & Hose Assembly
15	86948	00A8642	Spray Hose Guide <i>Chrome</i>
	35724B	99S3670	Shank O-Ring <i>Not Illustrated</i>
	35742B	99B1432	Spray O-Ring <i>Not Illustrated</i>



Stock No.	OEM Ref No.	Description
88100	—	Stem Repair Kit
	<i>Contains:</i>	2) 18042 Main Seals 2) 18043 Springs 2) 35723 O-Rings 2) 35784 O-Rings 2) 35725 O-Rings

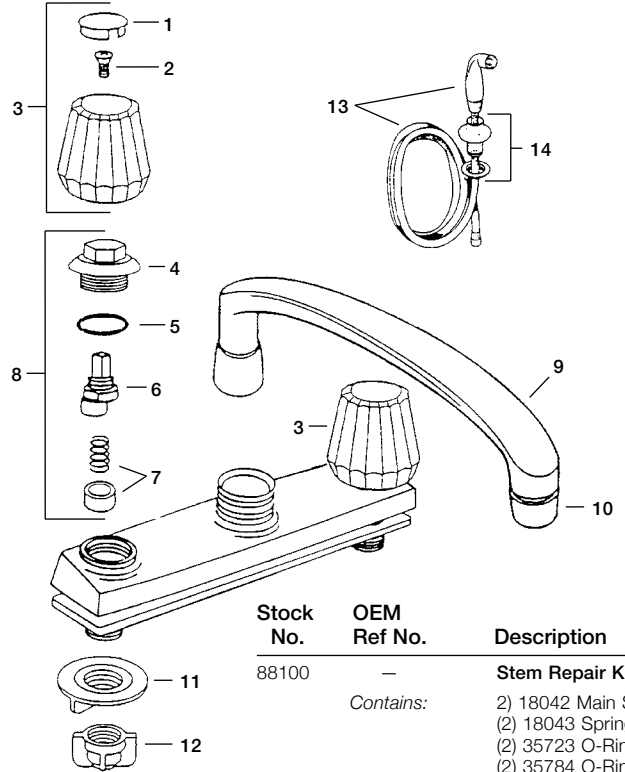
REPAIRS FOR

STERLING

KITCHEN FAUCET

Good Series 084

Item No.	Stock No.	OEM Ref No.	Description
1	—	99B1157	Index Button <i>Hot</i>
	—	99B1158	Index Button <i>Cold</i>
2	—	99B1778	Handle Screw (10 per Pak)
3	—	00A1775	(1) Pair Handle Assemblies
4	—	99B0796	Bonnet
5	35746B	99B0949	Bonnet O-Ring
6	35725B	99S1037	Stem O-Ring
7	88745	00A1408	Main Seal & Spring Assembly
8	17324B	—	(1) Stem Assembly
9	—	00A2890	Spout Assembly <i>Chrome</i>
10	10476	15410	Aerator <i>Chrome</i>
11	73113B	—	Locknut
12	—	—	Plastic Supply Nut
13	80762	99S0878	Spray Head & Hose Assembly
14	86948	00A8642	Spray Hose Guide <i>Chrome</i>
	35724B	99S3670	Shank O-Ring <i>Not Illustrated</i>
	35742B	99B1432	Spray O-Ring <i>Not Illustrated</i>



Stock No.	OEM Ref No.	Description
88100	—	Stem Repair Kit
	<i>Contains:</i>	2) 18042 Main Seals
		(2) 18043 Springs
		(2) 35723 O-Rings
		(2) 35784 O-Rings
		(2) 35725 O-Rings

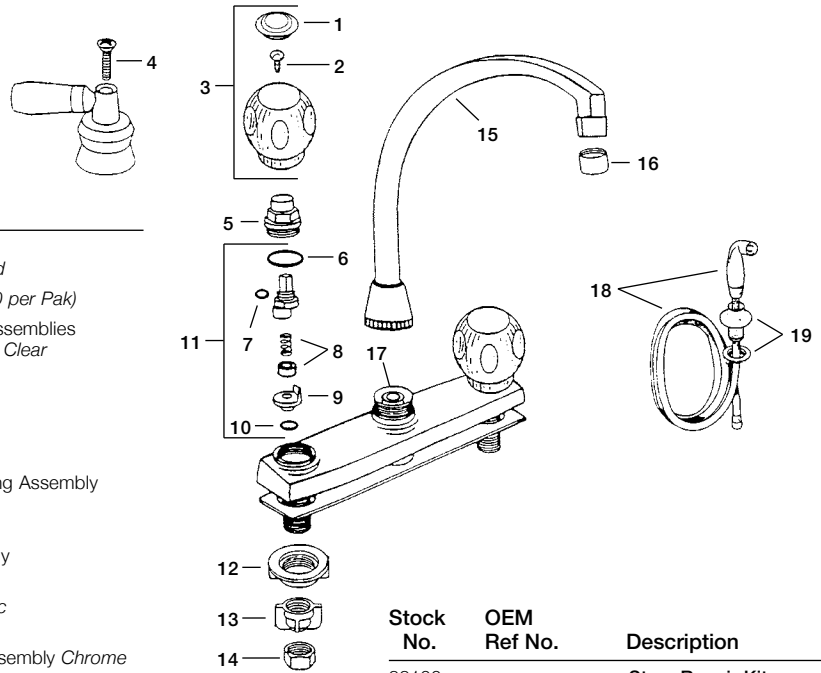
REPAIRS FOR

STERLING

KITCHEN FAUCET

Top Brass & Decorator Series 086

Item No.	Stock No.	OEM Ref No.	Description
1	—	99B9000	Index Button <i>Hot</i>
	—	99B9001	Index Button <i>Cold</i>
2	—	99B1778	Handle Screw (10 per Pak)
3	—	00A2778	(1) Pair Handle Assemblies with H/C Buttons <i>Clear</i>
4	—	99B1683	Handle Screw
5	—	99B1663	Bonnet
6	35784B	99B0131	Bonnet O-Ring
7	35725B	99S1037	Stem O-Ring
8	88745	00A1408	Main Seal & Spring Assembly
9	—	99B0465	Renewable Seat
10	35723B	99S1322	Seat O-Ring
11	17324B	05050	(1) Stem Assembly
12	73113B	—	Locknut
13	—	—	Supply Nut <i>Plastic</i>
14	—	—	Supply Nut <i>Brass</i>
15	—	00A2830	Hi-Rise Spout Assembly <i>Chrome</i>
16	10476	15410	Aerator <i>Chrome</i>
17	—	00A2122	Spray Diverter
18	80762	99S0878	Spray Head & Hose Assembly
19	86948	00A8642	Spray Hose Guide <i>Chrome</i>
	35742B	99B1432	O-Ring for Spray <i>Not Illustrated</i>

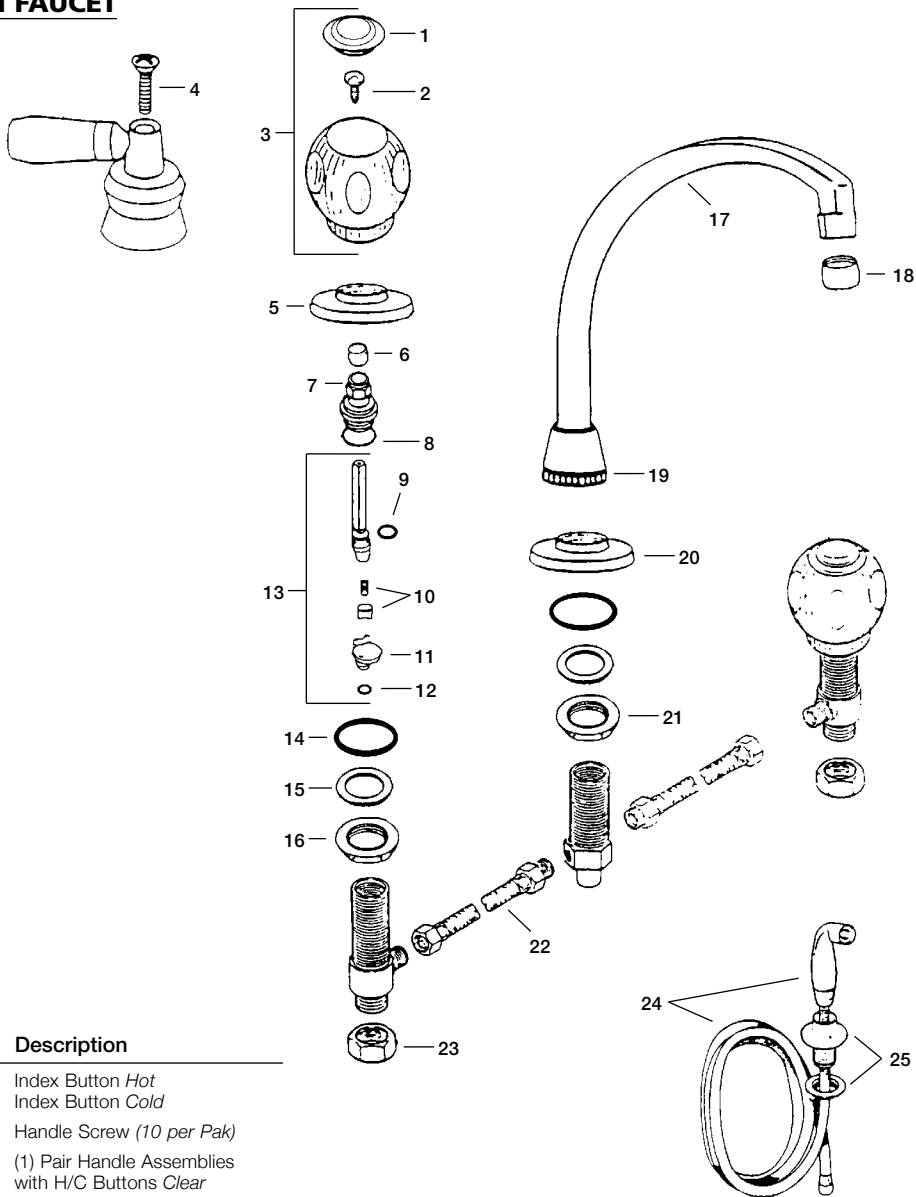


Stock No.	OEM Ref No.	Description
88100	—	Stem Repair Kit
	<i>Contains:</i>	2) 18042 Main Seals
		(2) 18043 Springs
		(2) 35723 O-Rings
		(2) 35784 O-Rings
		(2) 35725 O-Rings

STERLING

CONCEALED DECK KITCHEN FAUCET

Top Brass & Decorator Series 086



Item No.	Stock No.	OEM Ref No.	Description
1	—	99B9000	Index Button <i>Hot</i>
	—	99B9001	Index Button <i>Cold</i>
2	—	99B1778	Handle Screw (10 per Pak)
3	—	00A2778	(1) Pair Handle Assemblies with H/C Buttons <i>Clear</i>
4	—	99B1683	Handle Screw
5	—	99S5170	Handle Escutcheon
6	—	99B0665	Bushing
7	—	99B0744	Bonnet
8	35784B	99B0131	Bonnet O-Ring
9	35725B	99S1037	Stem O-Ring
10	88745	00A1408	Main Seal & Spring Assembly
11	—	99B0465	Renewable Seat
12	35723B	99S1322	Seat O-Ring
13	17456B	05030	(1) Stem Assembly
14	—	99S0791	Rubber Washer
15	—	99S0792	Fiber Washer
16	—	99S1258	Corner Locknut
17	—	00A2830	Hi Rise Spout Assembly
18	10476	15410	Aerator <i>Chrome</i>
19	35731B	99S0906	Spout O-Ring
20	—	99S5169	Center Escutcheon
21	—	99B1462	Center Locknut
22	—	99B0975	Flex Hose
23	—	99S0211	Tailpiece Nut
24	80762	99S0878	Spray Head & Hose Assembly
25	86948	00A8642	Spray Hose Guide <i>Chrome</i>

Stock No.	OEM Ref No.	Description
88100	—	Stem Repair Kit
	<i>Contains:</i>	2) 18042 Main Seals 2) 18043 Springs 2) 35723 O-Rings 2) 35784 O-Rings 2) 35725 O-Rings

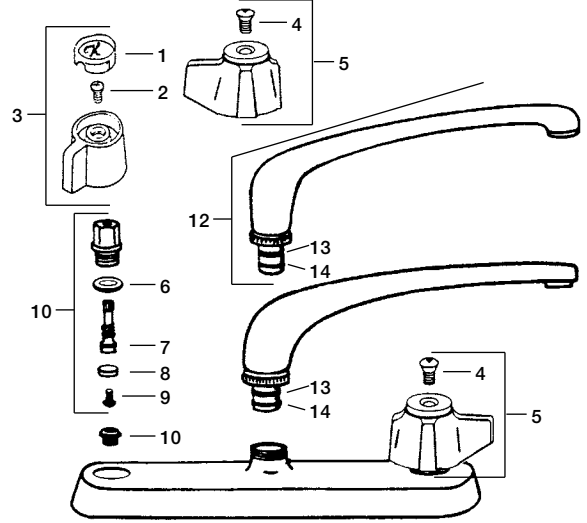
REPAIRS FOR

STERLING

KITCHEN FAUCET

Series 264-190, 268-510, 2612-510, 26210, 26220, 26240

Item No.	Stock No.	OEM Ref No.	Description
1	—	A-1904	Index Button <i>Hot (5 per Pak)</i>
	—	A-1905	Index Button <i>Cold (5 per Pak)</i>
2	—	14941	Handle Screw <i>(10 per Pak)</i>
3	88509	—	(1) Pair Handle Assemblies
4	35636B	S-0864-43	Handle Screw
5	80680	—	(1) Pair Handle Assemblies
6	35570B	S-0434-10	Cap Thread Gasket
7	35725B	S-1037-15	Stem O-Ring
8	35062B	S-0358-15	00 Flat Bibb Washer
9	35142B	S-0268-03	Chrome Plated Brass Bibb Screw
	—	—	Monel Bibb Screw
10	15643E	A-8153	Stem with Bonnet R.H. Hot
	15644E	A-8154	Stem with Bonnet L.H. Cold
11	30017E	S-0369-03	Bibb Seat <i>Brass</i>
12	—	A-8211	Spout Pak
13	—	S-1247-16	Swing Spout Ring
14	35734B	S-1246-15	Spout O-Ring



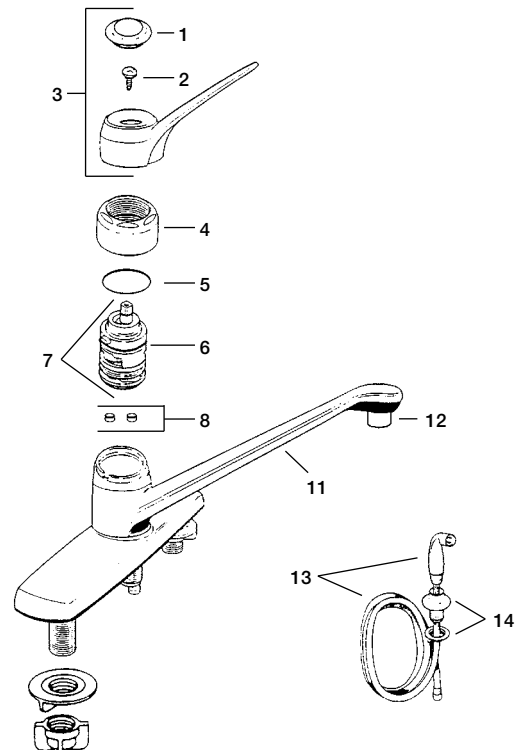
REPAIRS FOR

STERLING

KITCHEN FAUCET

Nova Non-Metallic Series 072

Item No.	Stock No.	OEM Ref No.	Description
1	—	00A3272	Handle Button
2	—	99B3821	Handle Screw
3	—	00A2927	Handle Assembly
4	—	99B3836	Dome Nut
5	35741B	99B4003	O-Ring for Dome
6	88421	00A5013	Cartridge less Spray
	88422	00A5023	Cartridge with Spray
7	35778B	99B3235	Cartridge O-Ring
8	—	99B3121	Seals
9	73113B	—	Plastic Locknut
10	—	—	Supply Locknut
11	—	00A2928	Spout Assembly
12	10476	15410	Aerator
13	80762	99B0078	Spray Head & Hose Assembly
14	86948	00A8642	Spray Hose Guide <i>Chrome</i>
	35743B	99S5438	O-Rings for Spray <i>Not Illustrated</i>
	35739B	99B3239	Spout O-Ring <i>Not Illustrated</i>

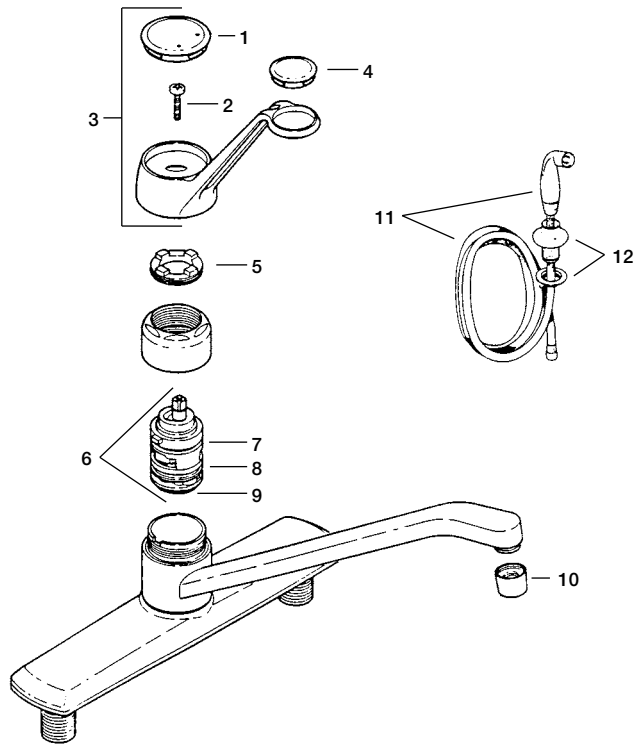
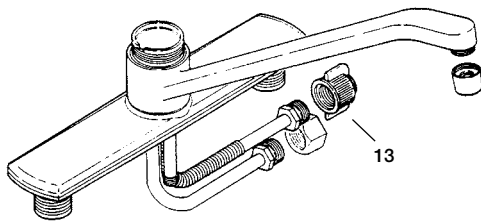


REPAIRS FOR

STERLING

KITCHEN FAUCET

Top Brass Series 073

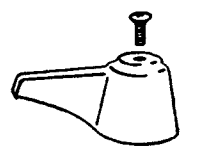


Item No.	Stock No.	OEM Ref No.	Description
1	—	99B3272	Large Index Button
2	—	99B3822	Handle Screw <i>Sheet Metal</i>
3	—	00A5041	Handle Assembly
4	—	99B3273	Small Index Button
5	—	99B3112	Adjusting Ring
6	88421 88422	00A5013 00A5023	Cartridge less Spray Cartridge with Spray
7	35716B	99B3235	Cartridge O-Ring
8	35743B	99B5438	Spray Seal O-Ring
9	—	99B3121	Cartridge Seal
10	10481	15410	15/16F Aerator
11	80762	99B2820	Spray Head & Hose Assembly
12	86948	00A8642	Spray Hose Guide <i>Chrome</i>
13	—	99B0807	Twist-Tight Tailpiece Nut
	35739B	99B3229	Spout O-Ring <i>Not Illustrated</i>

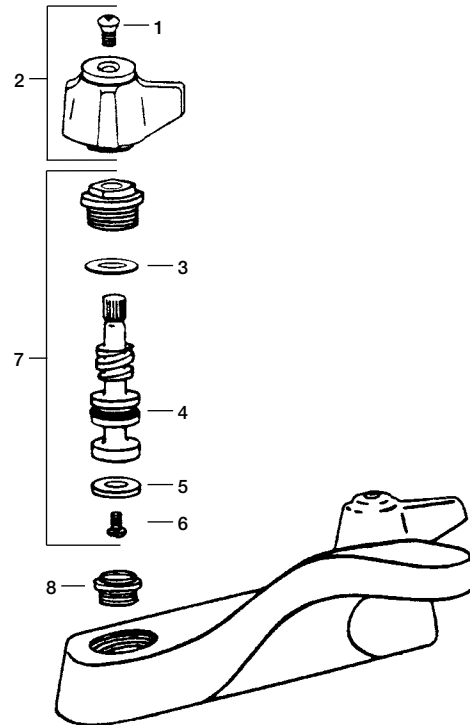
REPAIRS FOR

STERLING

LAVATORY FAUCET



Old Style Handle
No Longer Available



Item No.	Stock No.	OEM Ref No.	Description
1	35636B	S-0864-43	Handle Screw
2	80680	—	(1) Pair Handle Assemblies
3	35570B	S-0434-10	Cap Thread Gasket
4	35725B	S-1037-15	O-Ring
5	35062B	00S-0358-15	00 Flat Bibb Washer
6	35636B	4S-0268-03	Bibb Screw
8	—	A-8079	Stem with Bonnet R.H. Hot
	—	A-8080	Stem with Bonnet L.H. Cold
9	30017E	S-0369-03	Bibb Seat <i>Brass</i>

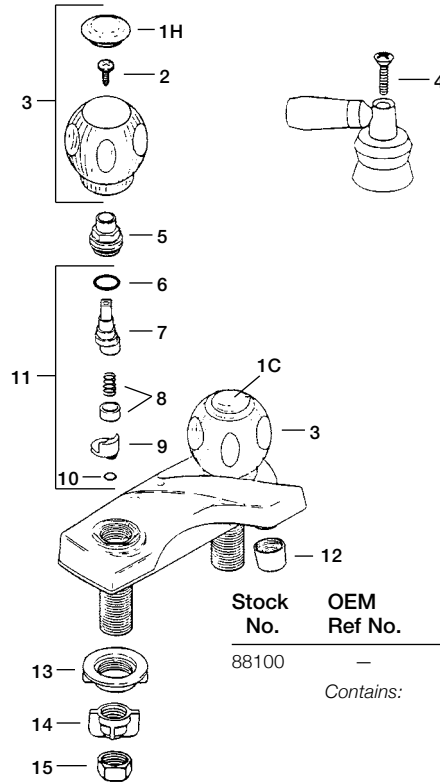
REPAIRS FOR

STERLING

LAVATORY FAUCET

Top Brass & Decorator Series 06

Item No.	Stock No.	OEM Ref No.	Description
1H	—	99B9000	Index Button <i>Hot</i>
1C	—	99B9001	Index Button <i>Cold</i>
2	—	99B1778	Handle Screw (10 per Pak)
3	14884	00A2778	(1) Pair Handle Assemblies with Hot & Cold Buttons <i>Clear</i>
4	—	99B1683	Handle Screw
5	—	99B1663	Bonnet
6	35784B	99B0131	Bonnet O-Ring
7	35725B	99S1037	Stem O-Ring
8	88745	00A1408	Main Seal & Spring Assembly
9	—	99B0465	Renewable Seat
10	35723B	99S1322	Seat O-Ring
11	17324B	05050	Valve Repair Kit
12	10476	15410	Aerator <i>Chrome</i>
13	73113B	—	Locknut
14	—	—	Supply Nut <i>Plastic</i>
15	—	—	Supply Nut <i>Brass</i>
—	—	99B2980	Spout Assembly <i>Not Illustrated</i>
—	35724B	99S3670	Spout O-Ring <i>Not Illustrated</i>
—	—	00A1410	Blade Handle Bag <i>Not Illustrated</i>



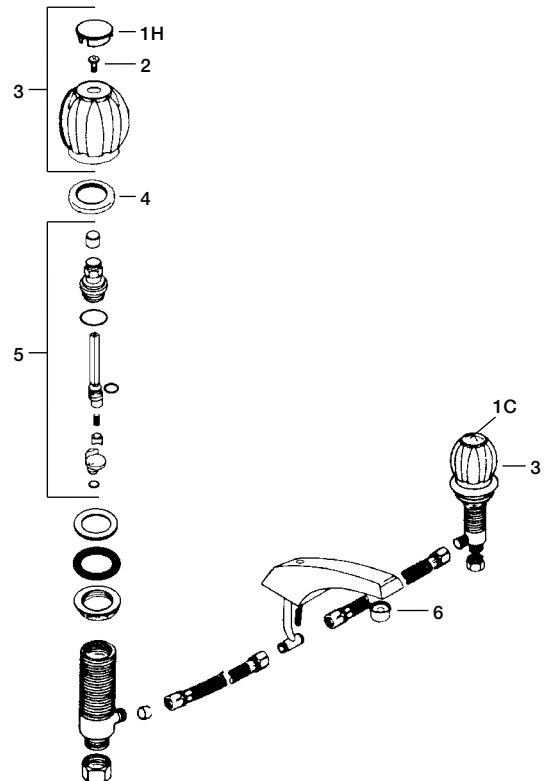
REPAIRS FOR

STERLING

WIDESPREAD LAVATORY FAUCET

Series 06090

Item No.	Stock No.	OEM Ref No.	Description
1H	—	99B0770	Index Button <i>Hot</i> (5 per Pak)
1C	—	99B0771	Index Button <i>Cold</i> (5 per Pak)
2	—	99B0060	Handle Screw (10 per Pak)
3	14884	A1380	(1) Pair Handle Assemblies with Hot & Cold Buttons <i>Clear</i>
4	—	99B0743	Escutcheon
5	17456B	—	Stem Unit Hot or Cold
6	10489	—	Aerator



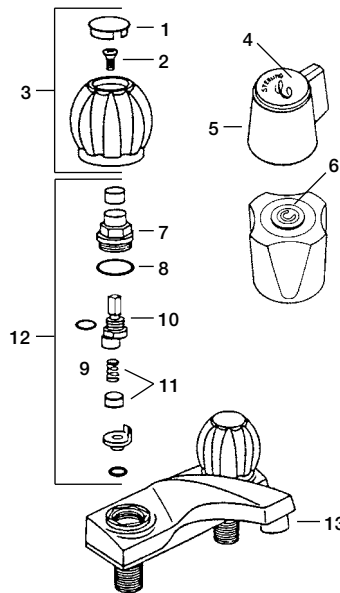
REPAIRS FOR

STERLING

LAVATORY FAUCET

Washerless Series 063

Item No.	Stock No.	OEM Ref No.	Description
1	—	199H	Index Button <i>Hot (5 per Pak)</i>
	—	200C	Index Button <i>Cold (5 per Pak)</i>
2	35644B	10	Handle Screw
3	14884	SF-32H	(1) Pair Handle Assemblies with Hot & Cold Buttons <i>Clear</i>
4	—	223H	Index Button <i>Hot (5 per Pak)</i>
	—	224C	Index Button <i>Cold (5 per Pak)</i>
5	88509	SF-34H-H/C	(1) Pair Lever Handle Assemblies
6	—	221H	Index Button <i>Hot (5 per Pak)</i>
	—	222C	Index Button <i>Cold (5 per Pak)</i>
7	—	1500B	Bonnet Hot & Cold
	—	1500BP	Plastic Bonnet Hot & Cold
8	35784B	99B0131	O-Ring
9	35725B	99S1037	O-Ring
10	17324B	1012	Stem R.H. Hot & Cold
11	88745	1408	Seats & Springs
12	17457B	1022WB	Stem with Brass Bonnet R.H. Hot & Cold
	18603B	1012WBP	Stem with Plastic Bonnet R.H. Hot & Cold
13	10476	15410	15/16" Dual Aerator
	73113B	—	Locknut <i>Not Illustrated</i>
	—	—	Plastic Supply Nut <i>Not Illustrated</i>
	35724B	99S3670	Spout Tee O-Ring <i>Not Illustrated</i>
	35644B	99B0060	Handle Screw <i>Not Illustrated</i>



Stock No.	OEM Ref No.	Description
88100	—	Stem Repair Kit
	<i>Contains:</i>	2) 18042 Main Seals
		(2) 18043 Springs
		(2) 35723 O-Rings
		(2) 35784 O-Rings
		(2) 35725 O-Rings

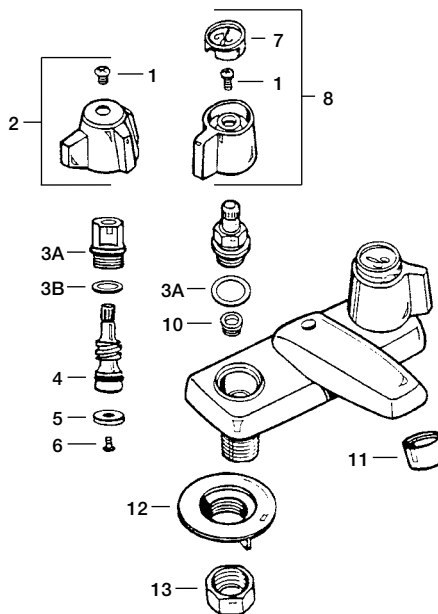
REPAIRS FOR

STERLING

LAVATORY FAUCET

Series 201, 202, 208, 209, Starflo

Item No.	Stock No.	OEM Ref No.	Description
1	35636B	99S0267	Handle Screw
2	80680	—	(1) Pair Handle Assemblies
3A	35570B	99S0434	Cap Thread Gasket
3B	35784B	99B0131	Bonnet O-Ring
4	35725B	99S1037	Stem O-Ring
5	35062B	99S0358	00 Flat Bibb Washer
6	35142B	S-0268-03	Bibb Screw <i>Chrome Plated</i>
7	—	A-1904	Index Button <i>Hot (5 per Pak)</i>
	—	A-1905	Index Button <i>Cold (5 per Pak)</i>
8	88509	SF-34H-H/C	(1) Pair Lever Handle Assemblies
9	15643E	A-8153	Stem with Bonnet R.H. Hot
	15644E	A-8154	Stem with Bonnet L.H. Cold
10	30017E	99S0369	Bibb Seat <i>Brass</i>
11	10481	—	15/16 Female Aerator
12	73113B	—	Locknut <i>Plastic</i>
13	—	—	Supply Nut <i>Plastic</i>
	—	—	Supply Nut <i>Brass</i>



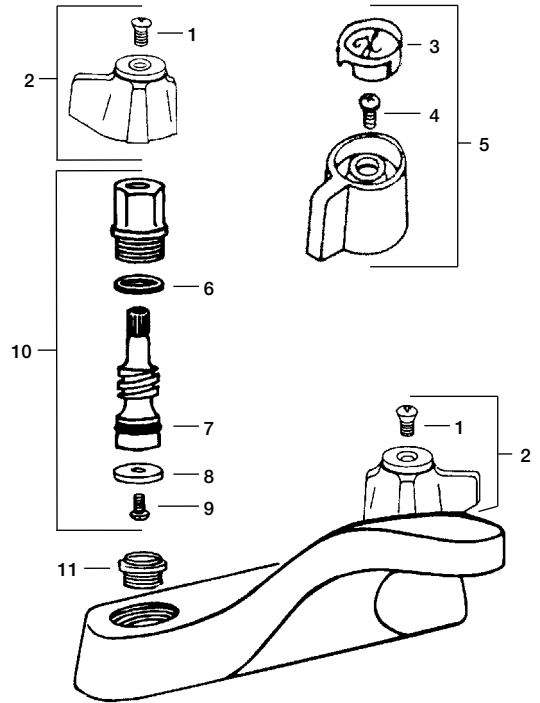
REPAIRS FOR

STERLING

LAVATORY FAUCET

Series 206-10, 201, 202, 203, 205, 206, 207

Item No.	Stock No.	OEM Ref No.	Description
1	—	S-0864-43	Handle Screw (10 per Pak)
2	80680	—	(1) Pair Handle Assemblies
3	—	A1904	Index Button Hot (5 per Pak)
	—	A1905	Index Button Cold (5 per Pak)
4	35643B	—	Handle Screw
5	88509	A1926	(1) Pair Lever Handle Assemblies
6	—	S-0434-10	Washer
7	35725B	S-1037-15	O-Ring
8	35062B	S-0358-15	00 Flat Bibb Washer
9	—	S-0268-03	Seat Screw
10	15643E 15644E	A-8153 A-8154	Stem Assembly Hot Stem Assembly Cold
11	30017E	S-0369-03	Renewable Seat Brass



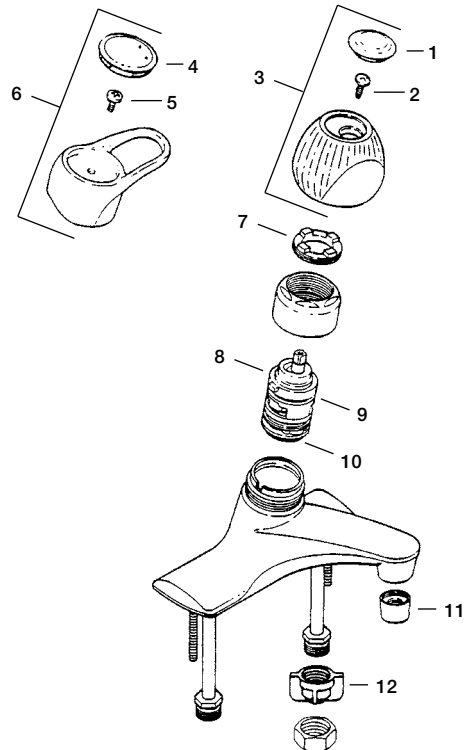
REPAIRS FOR

STERLING

LAVATORY FAUCET

Top Brass Series 04

Item No.	Stock No.	OEM Ref No.	Description
1	—	99B9003	Index Button for Acrylic Handle
2	—	99B3821	Handle Screw <i>Sheet Metal</i>
3	88417	00A5042	Acrylic Handle Assembly
4	—	99B3272	Index Button for Loop Handle
5	—	99B3822	Handle Screw <i>Sheet Metal</i>
6	—	00A5043	Loop Handle Assembly
7	—	99B3112	Adjusting Ring
8	—	00A50RS	Reverse Cartridge Assembly
	88421	00A5013	Cartridge Assembly
9	35716B	99B3235	Cartridge O-Ring
10	—	99B3121	Cartridge Seal
11	10481	—	15/16F Aerator
12	—	99B0807	Twist-Tight Tailpiece Nut



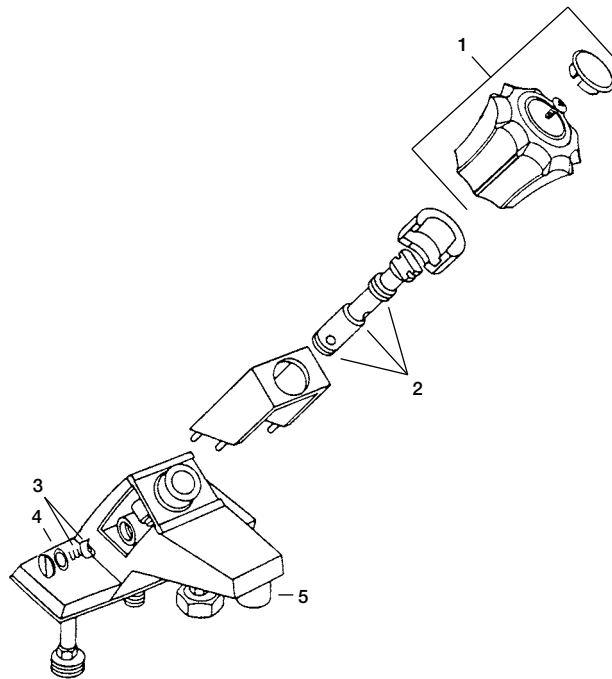
REPAIRS FOR

STERLING

LAVATORY FAUCET

Series 04, 040

Item No.	Stock No.	OEM Ref No.	Description
1	—	A1476	Handle Assembly
2	—	—	Plunger O-Ring Repair Kit
3	—	A1311	Seal & Spring Assembly
4	35755B	99B0505	O-Ring
5	10481	—	15/16F Aerator
Stock No.			Description
80941			SR-3 Repair Kit
Contains:			Seats & Springs



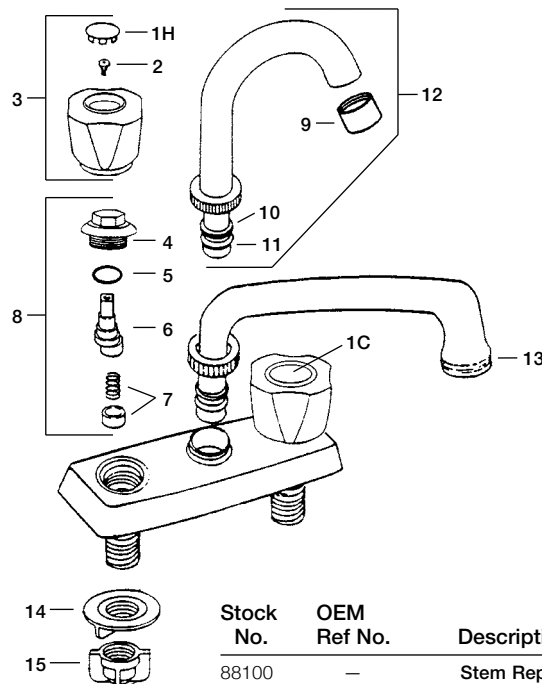
REPAIRS FOR

STERLING

LAUNDRY FAUCET

Series 083

Item No.	Stock No.	OEM Ref No.	Description	
1H	—	99B0803	Index Button <i>Hot</i>	
1C	—	99B0804	Index Button <i>Cold</i>	
2	—	99B1778	Handle Screw (10 per Pak)	
3	14884	00A1475	(1) Pair Handle Assemblies	
4	—	99B0796	Bonnet	
5	35746B	99B0949	Bonnet O-Ring	
6	35725B	99S1037	Stem O-Ring	
7	88745	00A1408	Main Seal & Springs Assembly	
8	17324B	00A1414	Stem Assembly Hot & Cold	
9	10476	15410	Aerator	
10	—	99B3302	Snap Ring	
11	35731B	99S0906	Spout O-Ring	
12	—	00A1985	Gooseneck Spout Assembly	
13	—	00A8199	Hose End Spout Assembly	
14	73113B	99B0813	Locknut	
15	—	99B0807	Tailpiece Nut	
35724B			Shank O-Ring <i>Not Illustrated</i>	
—			99B0795	Corner Shank <i>Not Illustrated</i>

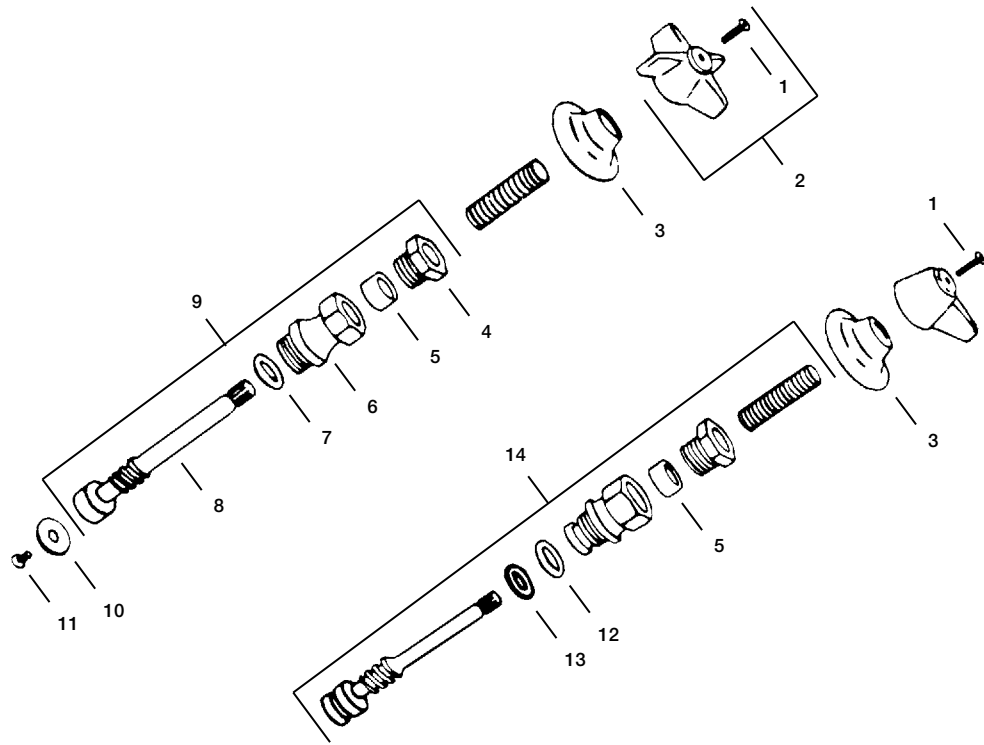


Stock No.	OEM Ref No.	Description
88100	—	Stem Repair Kit
Contains:		2) 18042 Main Seals
		(2) 18043 Springs
		(2) 35723 O-Rings
		(2) 35784 O-Rings
		(2) 35725 O-Rings

STERLING

BATH FIXTURE

N-Series 10-000



Item No.	Stock No.	OEM Ref No.	Description
1	—	S-864	Handle Screw (10 per Pak)
2	88092	—	(1) Pair Handle Assemblies
3	—	—	Threaded Replacement Flange
4	—	—	Packing Nut
5	36629B	S-3223	Packing
6	—	—	Bonnet
7	35549B	S-957	Washer
8	—	—	Stem Assembly
9	15420B	99S8000	Corner Stem Assembly
10	35064B	—	1/4 Flat Bibb Washer
11	—	—	Bibb Screw
12	—	S-994	Diverter Washer
13	35693B	S-723	Diverter Washer
14	15256B	99S8001	Diverter Stem Assembly
	30017E	S-369	Seat <i>Brass Not Illustrated</i>

Stock No.	OEM Ref No.	Description
124184	—	Stem Repair Kit
	<i>Contains:</i>	(1) 35064 Washer
		(1) 35141 Screw
		(1) 30017 Seat
		(1) 36629 Packing
		(1) 35549 Gasket

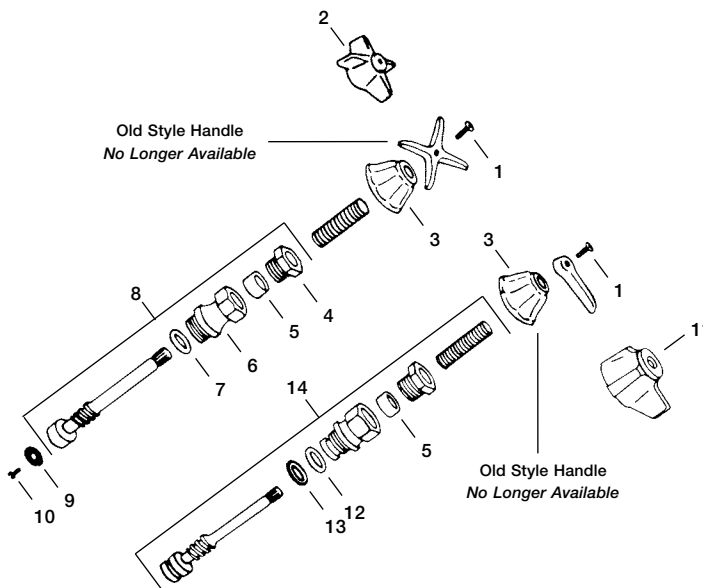
REPAIRS FOR

STERLING

BATH FIXTURE

S-Series 10-200

Item No.	Stock No.	OEM Ref No.	Description
1	—	S-864	Handle Screw (10 per Pak)
2	88092	—	(1) Pair Handle Assemblies
3	—	—	Replacement Flange
4	—	—	Packing Nut
5	36629B	S-3223	Packing
6	—	—	Bonnet
7	35549B	S-957	Washer
8	15250B	99S8005	Corner Stem Assembly
9	35064B	—	1/4 Flat Bibb Washer
10	—	—	Bibb Screw
11	86993	—	New Style Diverter Handle
12	—	S-994	Diverter Washer (10 per Pak)
13	35693B	S-723	Diverter Washer
14	15256B	99S8006	Diverter Stem Assembly
	30017E	S-369	Seat <i>Brass Not Illustrated</i>



Stock No.	OEM Ref No.	Description
124184	—	Stem Repair Kit
	<i>Contains:</i>	(1) 35064 Washer
		(1) 35141 Screw
		(1) 30017 Seat
		(1) 36629 Packing
		(1) 35549 Gasket

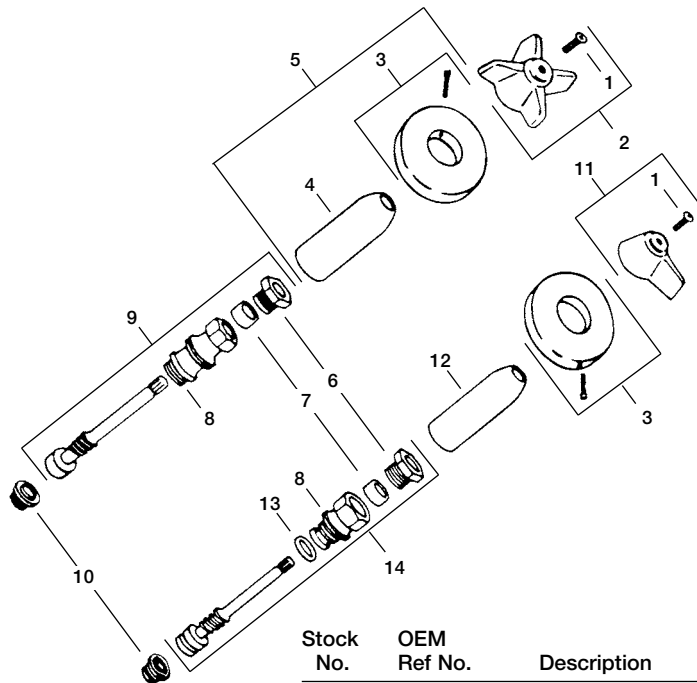
REPAIRS FOR

STERLING

BATH FIXTURE

Series 10-400

Item No.	Stock No.	OEM Ref No.	Description
1	—	S-864	Handle Screw (10 per Pak)
2	88092	—	(1) Pair Handle Assemblies
3	—	A-8107	Flange
4	—	S-5045	Flange Tube
5	10307	—	Flange & Tube Set
6	—	—	Packing Nut
7	36629B	S-3223	Packing
8	35579B	—	Fiber Washer
9	15420B	99S8105	Corner Stem Assembly
10	30017E	S-369	Renewable Seat <i>Brass</i>
11	86993	—	New Style Diverter Handle
12	—	S-5036	Diverter Stem Flange Tube
13	35693B	S-723	Diverter Washer
14	15402B	99S8106	Diverter Stem Assembly



Stock No.	OEM Ref No.	Description
124184	—	Stem Repair Kit
	<i>Contains:</i>	(1) 35064 Washer
		(1) 35141 Screw
		(1) 30017 Seat
		(1) 36629 Packing
		(1) 35549 Gasket

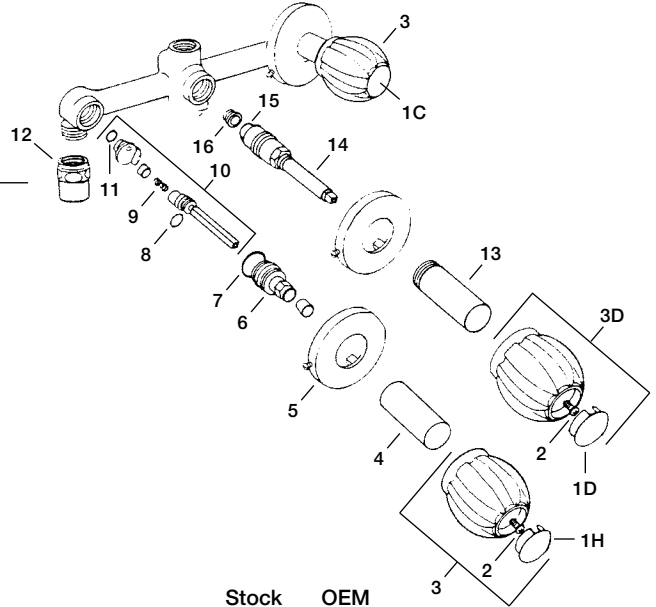
REPAIRS FOR

STERLING

BATH FIXTURE

Washerless Series 030 (before October 1989)

Item No.	Stock No.	OEM Ref No.	Description
1H	—	99B1961	Index Button <i>Hot</i> (5 per Pak)
1C	—	99B1962	Index Button <i>Cold</i> (5 per Pak)
1D	—	99B1960	Index Button <i>Diverter</i>
2	—	99B1781	Handle Screw (10 per Pak)
3	14884	00A1380	(1) Pair Handle Assemblies with Hot & Cold Buttons <i>Clear</i>
3D	46454	00A2778	(1) Handle Assembly with Hot, Cold & Diverter Buttons <i>Clear</i>
4	—	99B0493	Escutcheon Tube <i>Chrome</i>
5	—	00A1815	Escutcheon Plate <i>Chrome</i>
6	—	99B2161	Bonnet
7	35784B	99B0131	Bonnet O-Ring
8	35725B	99S1037	Stem O-Ring
9	88745	00A1408	Main Seal & Spring Assembly
10	17456B	05030	Stem Kit Assembly
11	35723B	99S1322	Seat O-Ring
12	—	00A8373	Coupling <i>IPS</i>
	—	00A8374	Coupling <i>Copper</i>
13	—	99B0751	Diverter Escutcheon Tube <i>Chrome</i>
14	18606B	00A2064	Diverter Stem and Bonnet Assembly
15	—	99S3764	Diverter Bushing
16	30017E	99S0369	Diverter Renewal Seat
	—	99B0465	Renewable Seat <i>Hot/Cold Not Illustrated</i>



Stock No.	OEM Ref No.	Description
88100	—	Stem Repair Kit
	<i>Contains:</i>	2) 18042 Main Seals 2) 18043 Springs 2) 35723 O-Rings 2) 35784 O-Rings 2) 35725 O-Rings

REPAIRS FOR

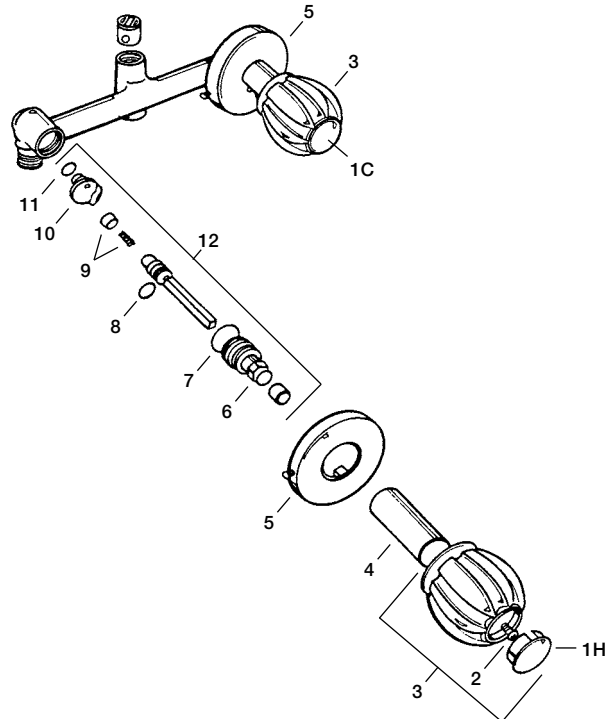
STERLING

BATH FIXTURE

Washerless Series 031, 032, 033 (prior to October 1989)

Item No.	Stock No.	OEM Ref No.	Description
1H	—	99B1961	Index Button <i>Hot Chrome</i> (5 per Pak)
1C	—	99B1962	Index Button <i>Cold Chrome</i> (5 per Pak)
2	35644B	99B0060	Handle Screw
3	14884	00A1380	(1) Pair Handle Assemblies with Hot & Cold Buttons <i>Clear</i>
4	—	99B0493	Escutcheon Tube <i>Chrome Plated</i>
5	—	A-1815	Escutcheon <i>Chrome Plated</i>
6	—	99B2161	Bonnet Hot & Cold
7	35784B	99B0131	Cap Thread O-Ring
8	35725B	99S1037	Stem O-Ring
9	88745	00A1408	Seats & Springs
10	—	99B0465	Renewable Seat
11	35723B	99S1322	Seat O-Ring
12	17456B	05030	Stem with Bonnet R.H. Hot or Cold

Stock No.	OEM Ref No.	Description
88100	—	Stem Repair Kit
	<i>Contains:</i>	2) 18042 Main Seals 2) 18043 Springs 2) 35723 O-Rings 2) 35784 O-Rings 2) 35725 O-Rings



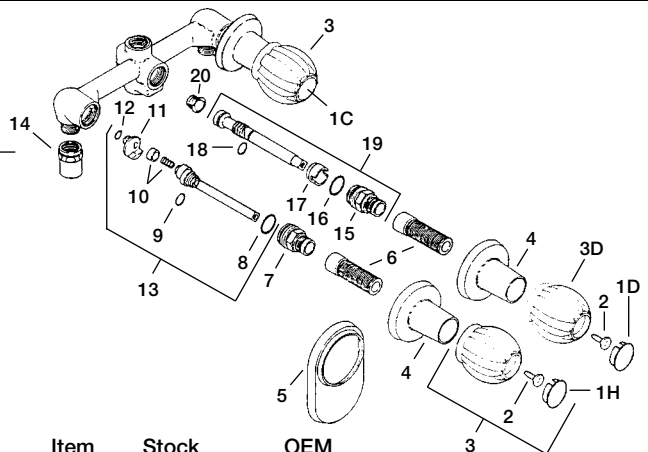
REPAIRS FOR

STERLING

BATH FIXTURE

Nova Series 034

Item No.	Stock No.	OEM Ref No.	Description
1H	—	99B1961	Index Button <i>Hot</i> (5 per Pak)
1C	—	99B1962	Index Button <i>Cold</i> (5 per Pak)
1D	—	99B1960	Index Button <i>Diverter</i>
2	—	99B1781	Handle Screw (10 per Pak)
3	14884	00A1380	(1) Pair Handle Assemblies with Hot & Cold Buttons <i>Clear</i>
3D	46454	00A2778	(1) Handle Assembly with Hot, Cold & Diverter Buttons <i>Clear</i>
4	—	99B2961	Non-Metallic Escutcheon <i>Chrome</i>
5	—	00A2720	Tear Drop Escutcheon <i>Chrome</i>
	—	00G2720	Tear Drop Escutcheon <i>Polished Brass</i>
6	—	99B2163	Escutcheon Sleeve
7	—	99B2161	Bonnet
8	35784B	99B0131	Bonnet O-Ring
9	35725B	99S1037	Stem O-Ring
10	88745	00A1408	Seats & Springs
11	—	99B0465	Renewable Seat
12	35723B	99S1322	Seat O-Ring
13	17456B	05030	Stem with Bonnet R.H. Hot or Cold
14	—	00A8373	Coupling <i>IPS</i>
	—	00A8374	Coupling <i>Copper</i>
15	—	99B2149	Diverter Bonnet
16	35784B	99B0131	Bonnet O-Ring
17	—	99S3764	Diverter Bushing
18	35723B	99S1322	Diverter Stem O-Ring
19	18606B	00A2350	Diverter Stem and Bonnet Assembly



Item No.	Stock No.	OEM Ref No.	Description
20	30017E	99S0369	Diverter Renewable Seat
	35062B	99S0358	Seat Washer Diverter Stem <i>Not Illustrated</i>
Stock No.	OEM Ref No.	Description	
88100	—	Stem Repair Kit	
	<i>Contains:</i>	2) 18042 Main Seals 2) 18043 Springs 2) 35723 O-Rings 2) 35784 O-Rings 2) 35725 O-Rings	

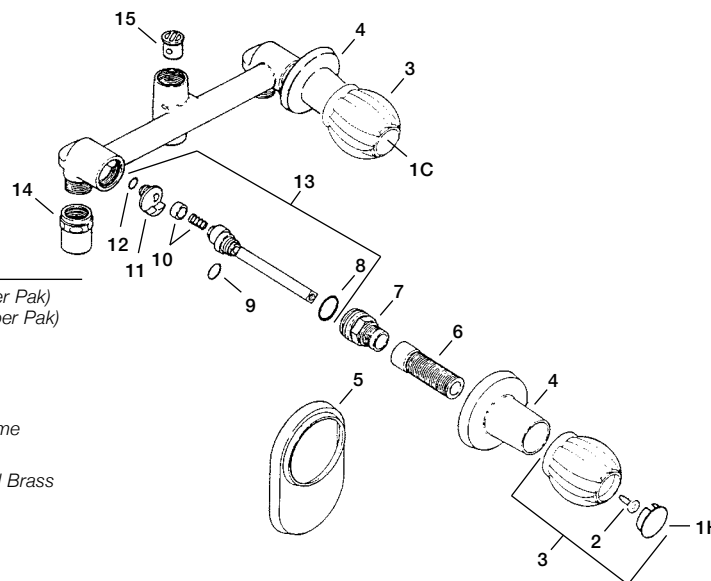
REPAIRS FOR

STERLING

BATH FIXTURE

Nova Series 035, 036, 037

Item No.	Stock No.	OEM Ref No.	Description
1H	—	99B1961	Index Button <i>Hot Chrome</i> (5 per Pak)
1C	—	99B1962	Index Button <i>Cold Chrome</i> (5 per Pak)
2	—	99B0060	Handle Screw (10 per Pak)
3	14884	00A1380	(1) Pair Handle Assemblies with Hot & Cold Buttons <i>Clear</i>
4	—	99B2961	Non-Metallic Escutcheon <i>Chrome</i>
5	—	00A2720	Tear Drop Escutcheon <i>Chrome</i>
	—	00G2720	Tear Drop Escutcheon <i>Polished Brass</i>
6	—	99B2163	Escutcheon Sleeve
7	—	99B2161	Bonnet
8	35784B	99B0131	Bonnet O-Ring
9	35725B	99S1037	Stem O-Ring
10	88745	00A1408	Seats & Springs
11	—	99B0465	Renewable Seat
12	35723B	99S1322	Seat O-Ring
13	17456B	05030	Stem Kit Assembly
14	—	00A8373	Coupling <i>IPS</i>
	—	00A8374	Coupling <i>Copper</i>
15	—	99B2184	Aspirator



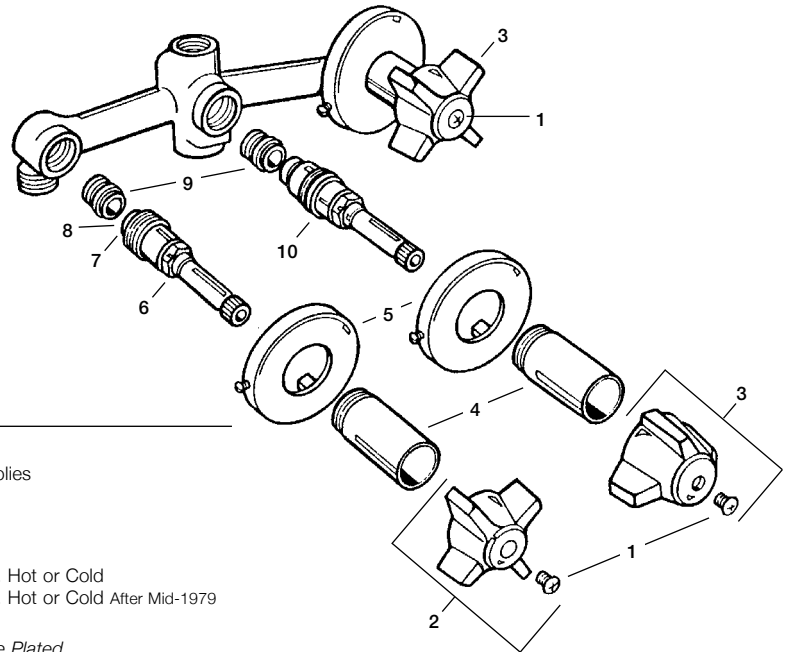
Stock No.	OEM Ref No.	Description
88100	—	Stem Repair Kit
	<i>Contains:</i>	2) 18042 Main Seals 2) 18043 Springs 2) 35723 O-Rings 2) 35784 O-Rings 2) 35725 O-Rings

REPAIRS FOR

STERLING

BATH FIXTURE

Series *Starflo* 104 (prior to Mid-1979)
 Series 102, 103, 104 (after Mid-1979)



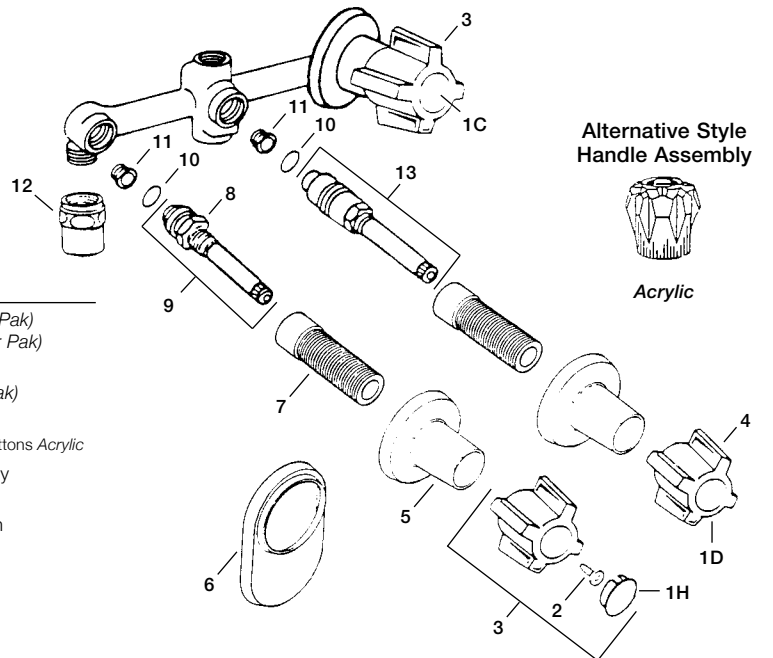
Item No.	Stock No.	OEM Ref No.	Description
1	35636B	5-0864-43	Handle Screw
2	88092	—	(1) Pair Handle Assemblies
3	86993	A-8252	Diverter Handle
4	—	99B0133	Escutcheon Sleeve
5	—	A-1815	Escutcheon
6	17315B 17417B	A-1656 A-1944	Stem with Bonnet R.H. Hot or Cold Stem with Bonnet R.H. Hot or Cold After Mid-1979
7	35062B	99S0358	00 Flat Bibb Washer
8	35141B	—	#4 Bibb Screw <i>Chrome Plated</i>
9	30017E	99S0369	#18 Bibb Seat Brass
10	17316B 17416B —	A-1657 A-1956 99S3764	Diverter Stem with Bonnet Diverter Stem with Bonnet After Mid-1979 Stem Spacer <i>Not Illustrated</i>

REPAIRS FOR

STERLING

BATH FIXTURE

Series 102, 109 *Starflo*



Item No.	Stock No.	OEM Ref No.	Description
1H	—	99B1961	Index Button <i>Hot (5 per Pak)</i>
1C	—	99B1962	Index Button <i>Cold (5 per Pak)</i>
1D	—	99B1960	Index Button <i>Diverter</i>
2	—	99S0267	Handle Screw (10 per Pak)
3	—	00A2031	Handle Assembly with Hot, Cold & Diverter Buttons <i>Acrylic</i>
4	—	00A2601	Diverter Handle Assembly
5	—	99B2167 99B2961	Metallic Escutcheon Non-Metallic Escutcheon
6	—	00A2720	Tear Drop Escutcheon
7	—	99B2163	Escutcheon Sleeve
8	—	99B2151	Stem Bonnet
9	35725B	99S1037	Stem O-Ring
10	17417B	00A2361	Stem Assembly Hot or Cold
11	35784B	99B0131	Bonnet O-Ring
12	30017E	99S0369	Renewable Seat
13	—	00A8373 00A8374	Coupling <i>IPS</i> Coupling <i>Copper</i>
13	17316B	00A2363	Diverter Stem Assembly

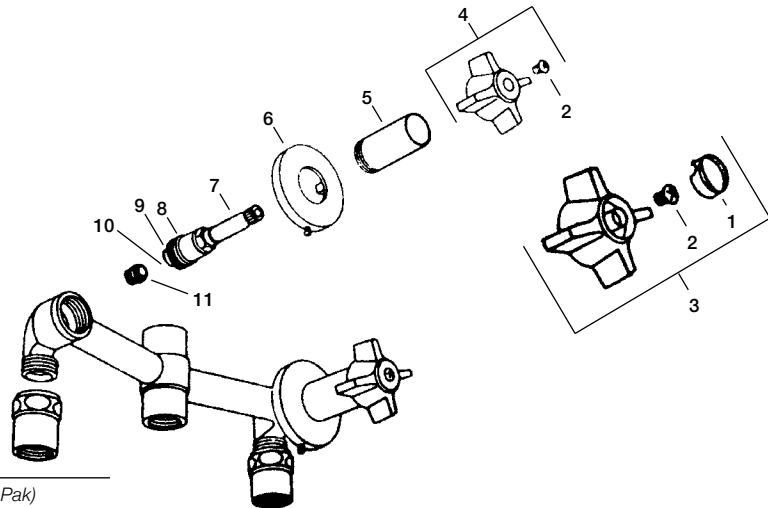
Item No.	Stock No.	OEM Ref No.	Description
—	35723B	99S1322	Diverter Stem O-Ring <i>Not Illustrated</i>
—	—	99S3764	Diverter Bushing <i>Not Illustrated</i>
—	35062B	99S0358	00 Flat Bibb Washer <i>Not Illustrated</i>

REPAIRS FOR

STERLING

BATH FIXTURE

Series *Rockwell* 112, 114, 122, 124, 132, 134



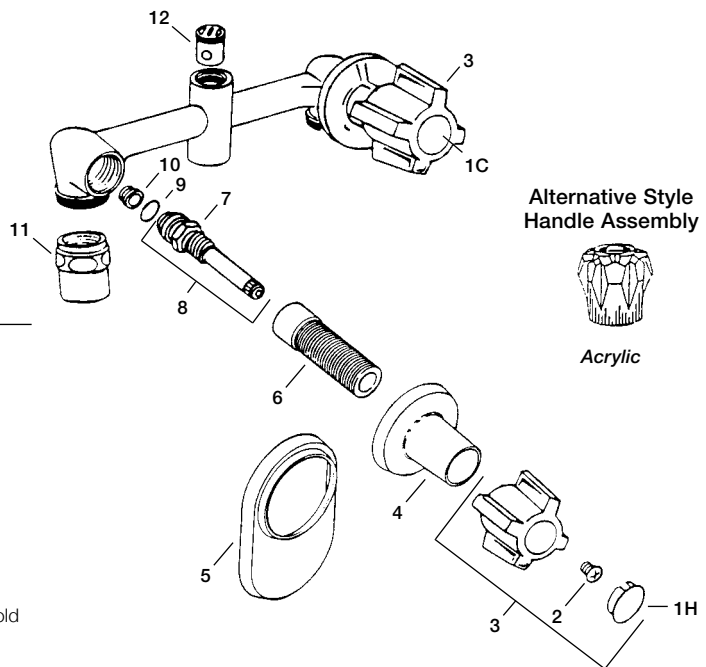
Item No.	Stock No.	OEM Ref No.	Description
1	—	A-1904	Index Button <i>Hot</i> (5 per Pak)
	—	A-1905	Index Button <i>Cold</i> (5 per Pak)
2	—	5-0864-43	Handle Screw (10 per Pak)
3	88759	—	(1) Pair Handle Assemblies
4	88092	—	(1) Pair Handle Assemblies
5	—	99B0133	Escutcheon Tube
6	—	A1815	Escutcheon
7	17315B	A-1656	Stem with Bonnet R.H. Hot or Cold
8	35784B	99B0131	Bonnet O-Ring
9	35062B	99S0358	00 Flat Bibb Washer
10	—	—	Bibb Screw
11	30017E	99S0369	Renewable Seat

REPAIRS FOR

STERLING

BATH FIXTURE

Starflo Series 112, 119, 122, 129, 132, 139



Item No.	Stock No.	OEM Ref No.	Description
1H	—	99B1961	Index Button <i>Hot</i> (5 per Pak)
1C	—	99B1962	Index Button <i>Cold</i> (5 per Pak)
2	35643B	99S0267	Handle Screw
3	46500	00A2605	Handle Assembly with Hot, Cold & Diverter Buttons
4	—	99B2167	Metallic Escutcheon
	—	99B2961	Non-Metallic Escutcheon
5	—	00A2720	Tear Drop Escutcheon
6	—	99B2163	Escutcheon Sleeve
7	—	99B2151	Stem Bonnet
8	17417B	00A-2361	Stem with Bonnet R.H. Hot or Cold
9	35784B	99B0131	Bonnet O-Ring
10	30017E	99S0369	Renewable Seat
11	—	00A8373	Coupling <i>IPS</i>
	—	00A8374	Coupling <i>Copper</i>
12	—	99B2184	Aspirator
	35725B	99S1037	Stem O-Ring <i>Not Illustrated</i>
	35062B	99S0358	00 Flat Bibb Washer <i>Not Illustrated</i>

Alternative Style Handle Assembly

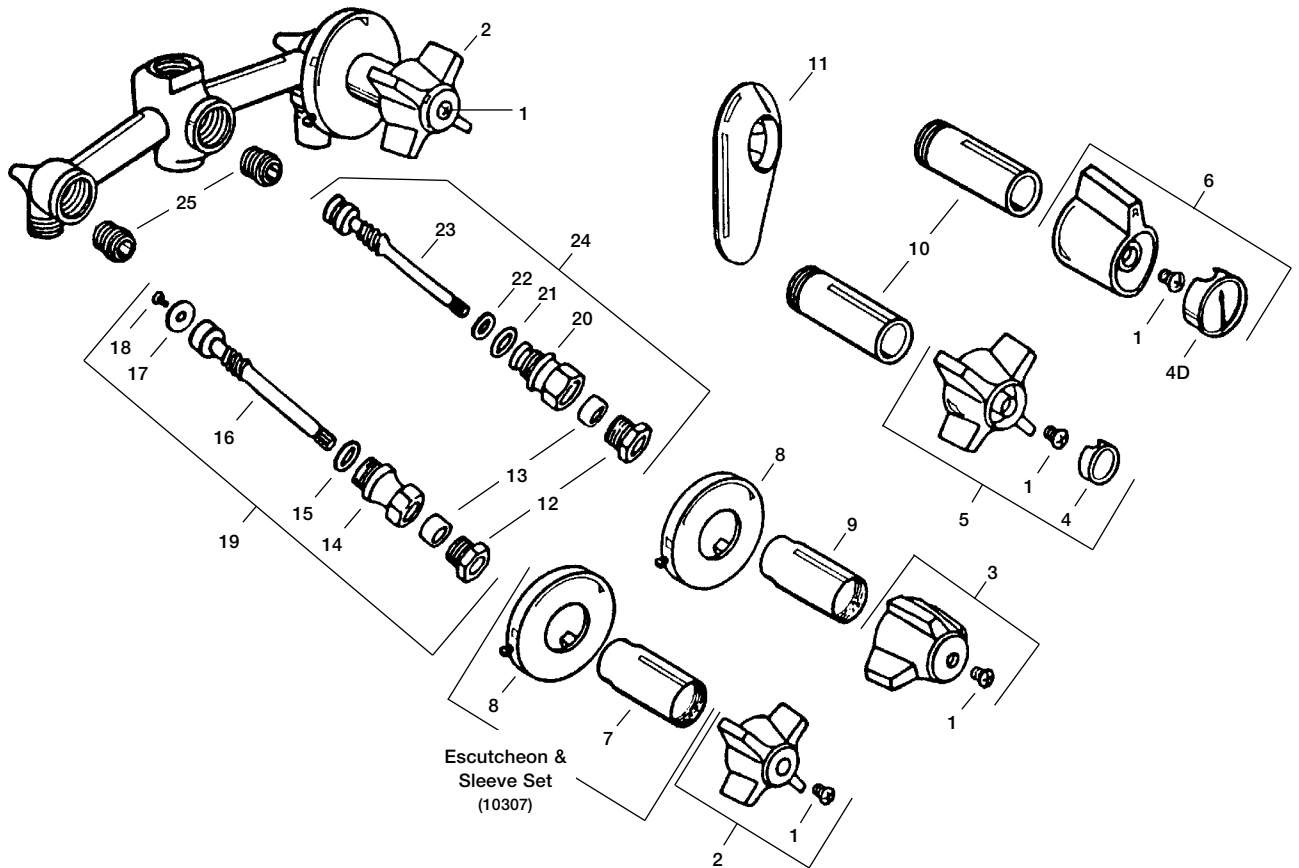


Acrylic

STERLING

BATH FIXTURE

Series 105.21, 115, 125, 135



Item No.	Stock No.	OEM Ref No.	Description
1	35636B	S-0864-43	Handle Screw
2	88092	—	(1) Pair Handle Assemblies
3	86993	A-8252	Diverter Handle
4	—	A-1904	Index Button <i>Hot (5 per Pak)</i>
	—	A-1905	Index Button <i>Cold(5 per Pak)</i>
4D	—	—	Index Button <i>Diverter (5 per Pak)</i>
5	88759	—	(1) Pair Handle Assemblies
6	88510	—	Diverter Handle
7	—	S-5045	Escutcheon Sleeve
8	—	A-8107	Escutcheon
	10307	—	Escutcheon & Sleeve Set
9	—	S-5036	Diverter Escutcheon Sleeve
10	—	—	Escutcheon Sleeve
11	—	A-8557	Escutcheon
12	—	S-2344-03	Packing Nut
13	35194B	S-3223-15	Bonnet Packing
14	—	S-2244-03	Bonnet Hot & Cold
15	35562B	—	Cap Thread Gasket
16	—	S-1023-03	Stem Only R.H. Hot & Cold
17	35065B	—	1/4L Flat Bibb Washer
18	35141B	—	Bibb Screw <i>Chrome Plated</i>
	—	—	Monel Bibb Screw

Item No.	Stock No.	OEM Ref No.	Description
19	15420B	A-8105	Stem with Bonnet R.H. Hot & Cold
20	—	S-2243-03	Bonnet Diverter
21	35568B	—	Cap Thread Gasket
22	35693B	S-0723-15	Diverter Washer
23	—	S-1025-03	Diverter Stem Only
24	15402B	A-8106	Diverter Stem with Bonnet
25	30017E	S-0369-03	Bibb Seat <i>Brass</i>
	Stock No.	OEM Ref No.	Description
	124182	—	Stem Repair Kit

Contains:

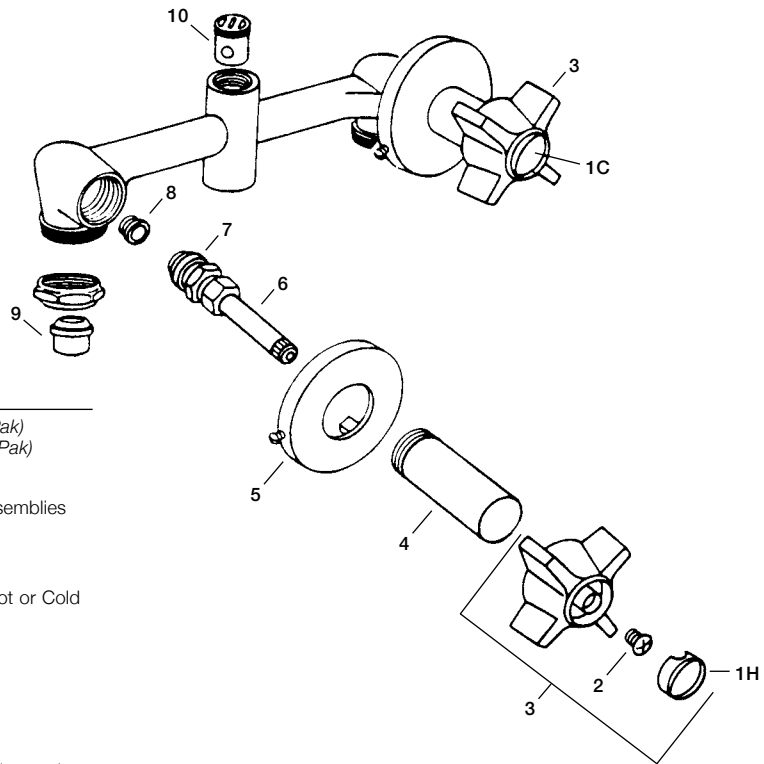
- (1) 35062 Washer
- (1) 35153 Bibb Screw
- (1) 35141 Bibb Screw
- (1) 30017 Seat
- (1) 35784 O-Ring
- (1) 35725 O-Ring
- (1) 17657 Gasket

REPAIRS FOR

STERLING

BATH FIXTURE

Starflo Series 112, 122, 132 (before June 1987)



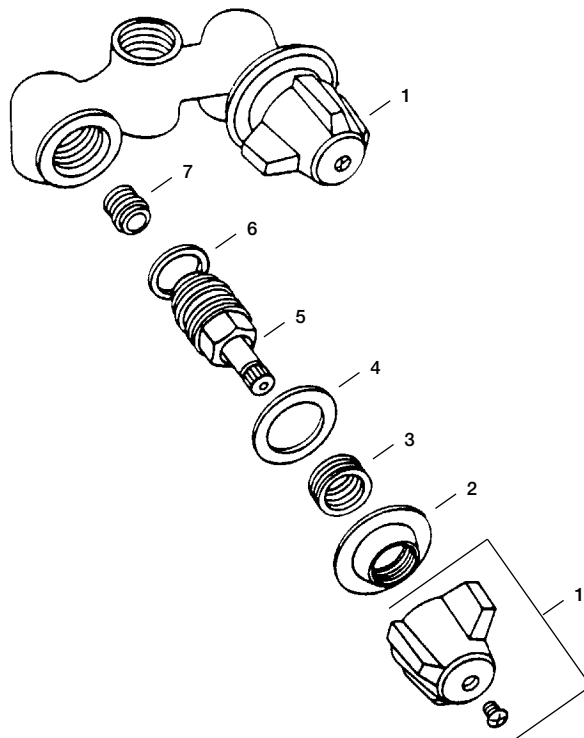
Item No.	Stock No.	OEM Ref No.	Description
1H	—	00A1904	Index Button <i>Hot</i> (5 per Pak)
1C	—	00A1905	Index Button <i>Cold</i> (5 per Pak)
2	35643B	99S0267	Handle Screw
3	88759	00A1942	(1) Pair <i>Starflo</i> Handle Assemblies
4	—	99B0751	Escutcheon Tube
5	—	00A1815	Escutcheon
6	17417B	00A-2361	Stem with Bonnet R.H. Hot or Cold
7	35784B	99B0131	Bonnet O-Ring
8	30017E	99S0369	Renewable Seat
9	—	99S0111	Sleeve <i>Copper</i>
		99S0189	Sleeve <i>IPS</i>
10	—	99B2184	Aspirator
	35062B	99S0358	00 Flat Bibb Washer <i>Not Illustrated</i>

REPAIRS FOR

STERLING

SHOWER STALL VALVES

Rockwell Series 33305, 33320, 33330



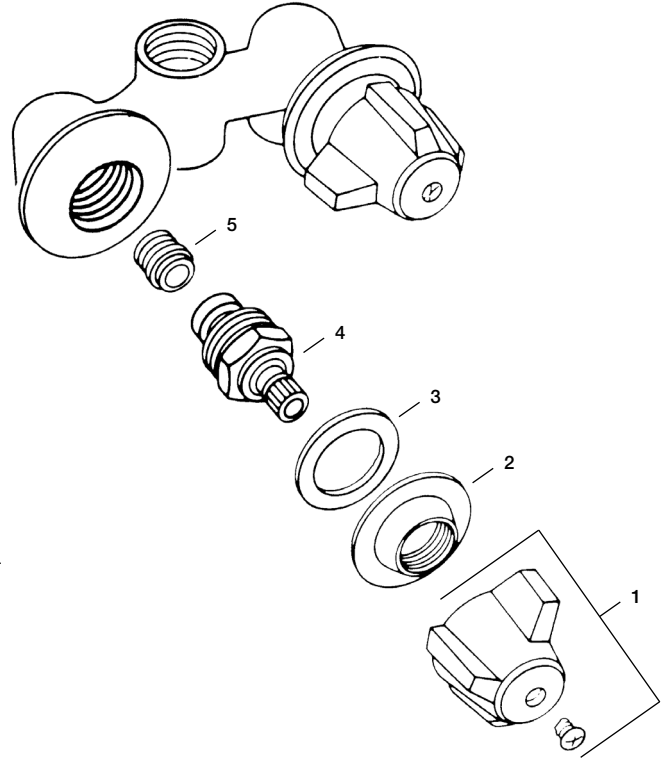
Item No.	Stock No.	OEM Ref No.	Description
1	80680	—	(1) Pair Handles
2	34563	99S3340	Escutcheon
3	—	—	Brass Bushing
4	—	99S3170	Washer
5	15955B	A8133	Stem Assembly <i>Hot</i>
	15956B	A8134	Stem Assembly <i>Cold</i>
6	—	99S0434	Washer
7	30017E	99S0369	Renewable Seat
	35725B	99S1037	Stem O-Ring <i>Not Illustrated</i>
	35062B	99S0358	00 Flat Bibb Washer <i>Not Illustrated</i>

REPAIRS FOR

STERLING

SHOWER STALL VALVES

Compression Series 334



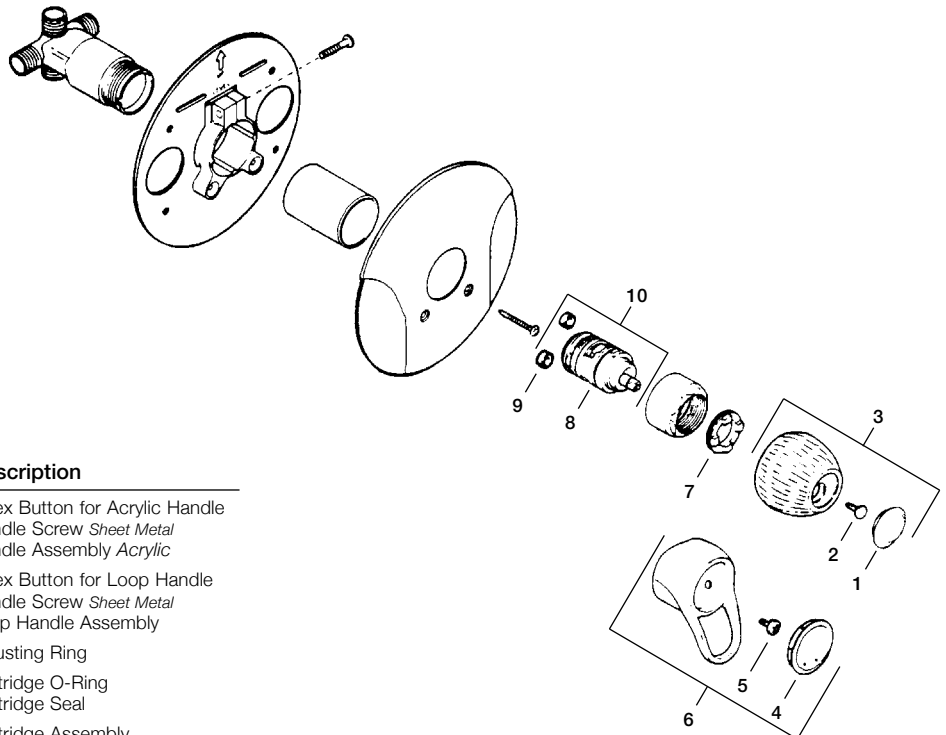
Item No.	Stock No.	OEM Ref No.	Description
1	80680	—	(1) Pair Handles
2	—	99S3340	Escutcheon
3	—	99S3170	Washer
4	17333B 17334B	00A1868 00A1869	Stem Assembly <i>Hot</i> Stem Assembly <i>Cold</i>
5	30017E 35784 35062B	99S0369 99S1037 99S0358	Renewable Seat Stem O-Ring <i>Not Illustrated</i> 00 Flat Bibb Washer <i>Not Illustrated</i>

REPAIRS FOR

STERLING

BATH FIXTURE

Top Brass Series 01



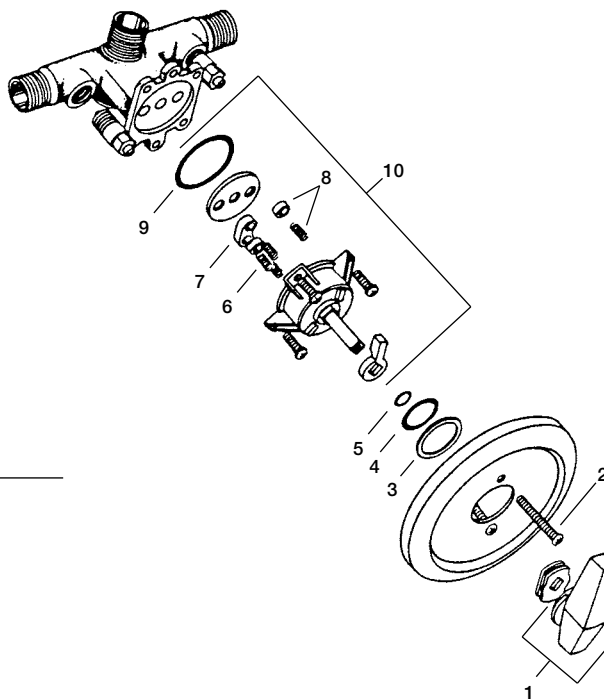
Item No.	Stock No.	OEM Ref No.	Description
1	—	99B9003	Index Button for Acrylic Handle
2	—	99B3821	Handle Screw <i>Sheet Metal</i>
3	88417	00A5042	Handle Assembly <i>Acrylic</i>
4	—	99B3272	Index Button for Loop Handle
5	—	99B3822	Handle Screw <i>Sheet Metal</i>
6	—	00A5043	Loop Handle Assembly
7	—	99B3112	Adjusting Ring
8	35716B	99B3235	Cartridge O-Ring
9	—	99B3121	Cartridge Seal
10	88421 —	00A5013 00A50RS	Cartridge Assembly Reverse Cartridge Assembly

REPAIRS FOR

STERLING

BATH FIXTURE

Series 021, 022, 023, 024



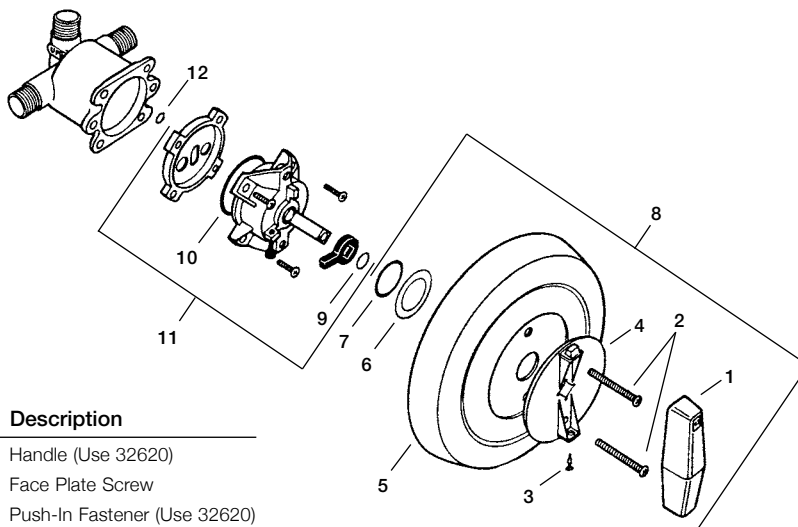
Item No.	Stock No.	OEM Ref No.	Description
1	—	A0980	Handle Assembly
2	—	B1656	Escutcheon Screw 2 Required
3	—	B1678	Handle Retainer Washer
4	35717B	B1672	Handle O-Ring
5	35724B	Ss3670	Stem O-Ring
6	—	B0503	Spring 2 Required
7	—	B1679	Kidney Seal
8	88745	A01408	Seat & Spring Assembly
9	35723B	S1322	Sealing Disk O-Ring 2 Required
10	88419	5200	Valve Cartridge Assembly
	35749B	S4761	Stem Shank O-Ring <i>Not Illustrated</i>
	35733B	B1671	Seat O-Ring <i>Not Illustrated</i>

REPAIRS FOR

STERLING

BATH FIXTURE

Series 025, 026



Item No.	Stock No.	OEM Ref No.	Description
1	—	A2717	Handle (Use 32620)
2	—	B1656	Face Plate Screw
3	—	B3262	Push-In Fastener (Use 32620)
4	—	B2088	Handle Disc (Use 32620)
5	—	00A2979	Escutcheon Plate <i>Chrome</i>
6	—	B2942	Handle Washer
7	35734B	S1246	Handle O-Ring
8	—	A2618	Handle & Disc Assembly
9	35724B	S3670	Stem O-Ring
10	35749B	B1671	Sealing Cap O-Ring
11	88419	5200	Mixing Valve Cartridge
12	—	B2434	Adapter Plate Washer

—	A2758	Pressure Balance Valve Kit
35755B	B3388	Seat O-Ring for Pressure Balance Unit
35727B	B3389	Housing O-Ring for Pressure Balance Unit
35779B	B2437	Adapter O-Ring
—	B2992	Seal Spring
—	B3178	Seal
—	B3179	Kidney Seal
35723B	S1322	O-Ring for Sealing Disc
35748B	S4761	Stem O-Ring

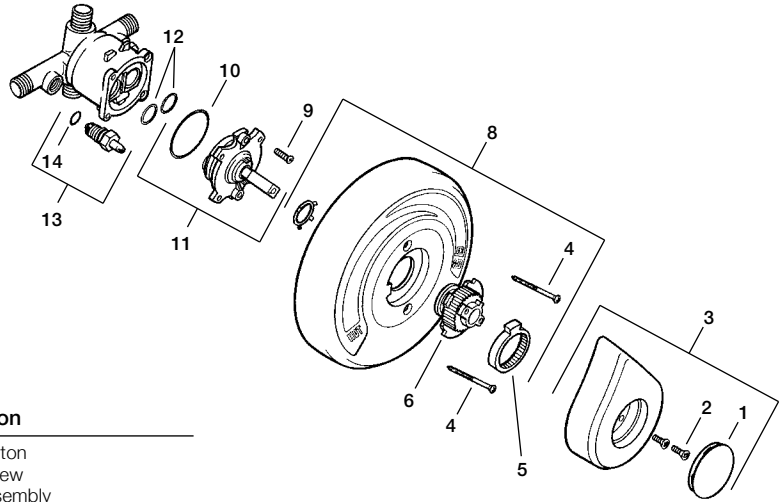
Items Not Illustrated

REPAIRS FOR

STERLING

PRESSURE BALANCE TUB & SHOWER FAUCET

Series 025, 026



Item No.	Stock No.	OEM Ref No.	Description
1	—	99B3699	Handle Button
2	—	99B4482	Handle Screw
3	—	00A2975	Handle Assembly
4	—	99B1656	Escutcheon Plate Screw
5	—	99B4083	Temperature Adjusting Stop
6	—	99B4018	Stem Diverter
7	—	99B4538	Clip Ring
8	—	00A2974	Escutcheon Plate with Diverter
9	—	99B1658	Cap Screw
10	—	99B2437	Sealing O-Ring
11	88419	05300	Snap-In Cartridge
12	—	99B4515	Seat O-Ring for Snap-In Cartridge

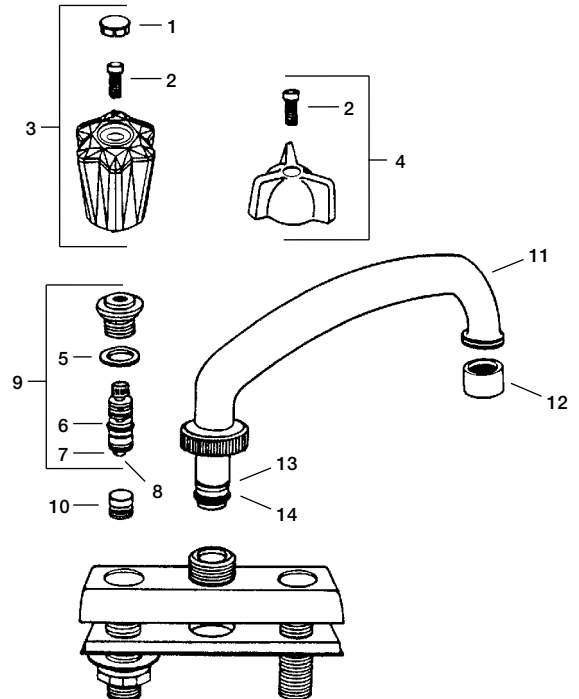
Item No.	Stock No.	OEM Ref No.	Description
13	—	00A2182	Stop Stem Assembly
14	35724B	99S3670	Stop Stem O-Ring
		00A2758	Pressure Balance Valve Replacement Kit <i>Not Illustrated</i>
	35784B	99S1037	Seat O-Ring for Pressure Balance Unit <i>Not Illustrated</i>

REPAIRS FOR

STREAMWAY

KITCHEN FAUCET

Model 438



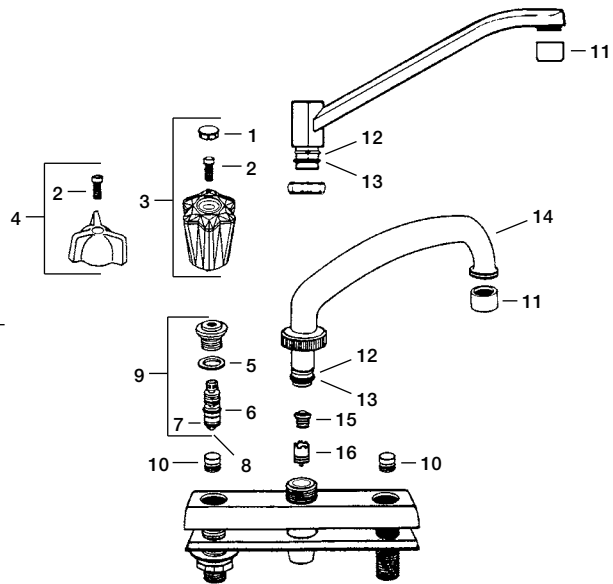
Item No.	Stock No.	OEM Ref No.	Description
1	—	1500-1	Index Button <i>Hot</i>
2	—	1500-1	Index Button <i>Cold</i>
3	88168	108-9P	Handle Screw (10 per Pak)
4	88177X	1500-3	(1) Pair Handles <i>Acrylic</i>
5	35564B	—	(1) Pair Handles <i>Metal</i>
6	35725B	108-7	Cap Thread Gasket
7	35062B	108-10	O-Ring
8	—	108-6	00 Flat Bibb Washer
9	15641E	108-8	Bibb Screw
10	30078E	108-0	Stem with Bonnet R.H. Hot & Cold
11	—	108-25	Bibb Seat
12	—	108-5	8" Spout Assembly
13	10481	108-31	15/16F Aerator
14	—	—	Swing Spout Ring
15	35728B	—	O-Ring

REPAIRS FOR

STREAMWAY

KITCHEN FAUCET

Model 1128

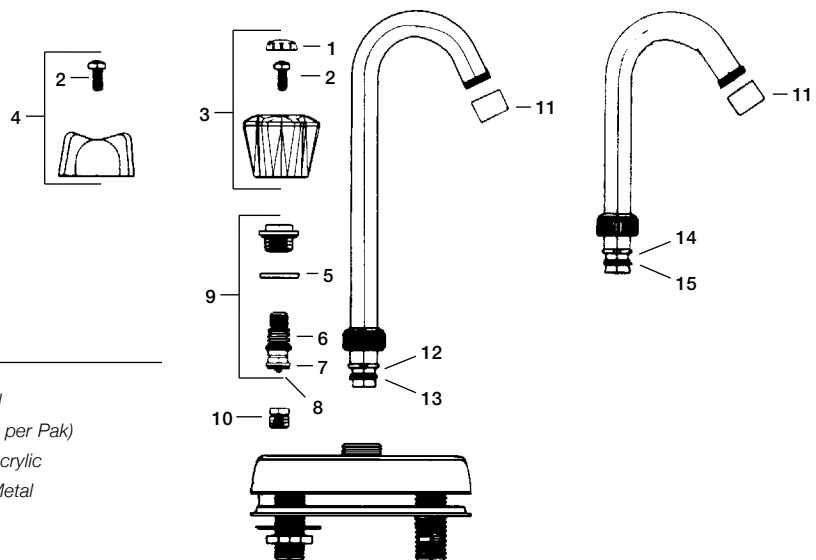


Item No.	Stock No.	OEM Ref No.	Description
1	—	1500-1	Index Button <i>Hot</i>
	—	1500-1	Index Button <i>Cold</i>
2	—	108-9P	Handle Screw (10 per Pak)
3	88168	1500-3	(1) Pair Handles <i>Acrylic</i>
4	88177X	—	(1) Pair Handles <i>Metal</i>
5	35564B	108-7	Cap Thread Gasket
6	35725B	108-10	Stem O-Ring
7	35062B	108-6	00 Flat Bibb Washer
8	35142B	108-8	Bibb Screw
9	15641E	108-0	Stem with Bonnet R.H. Hot or Cold
10	30078E	108-25	Bibb Seat <i>Brass</i>
11	10481	—	15/16 Female Aerator
12	35728B	—	Spout O-Ring
13	—	—	Swing Spout Ring
14	—	108-5	Tubular Spout
15	—	1108-5-U	Upper Spray Diverter
16	—	1108-5-L	Lower Spray Diverter

REPAIRS FOR

STREAMWAY

BAR FAUCET



Item No.	Stock No.	OEM Ref No.	Description
1	—	1500-1	Index Button <i>Hot</i>
	—	1500-1	Index Button <i>Cold</i>
2	—	108-9P	Handle Screw (10 per Pak)
3	88168	1500-3	(1) Pair Handles <i>Acrylic</i>
4	88177X	—	(1) Pair Handles <i>Metal</i>
5	35564B	108-7	Bonnet Washer
6	35725B	108-10	O-Ring
7	35062B	108-6	00 Flat Bibb Washer
8	—	108-8	Bibb Screw
9	15641E	108-0	Stem with Bonnet R.H. Hot or Cold
10	30078E	108-25	Seat
11	10489	108-31	Aerator
12	—	—	Snap Ring
13	35728B	—	O-Ring
14	—	—	Snap Ring
15	35728B	—	O-Ring

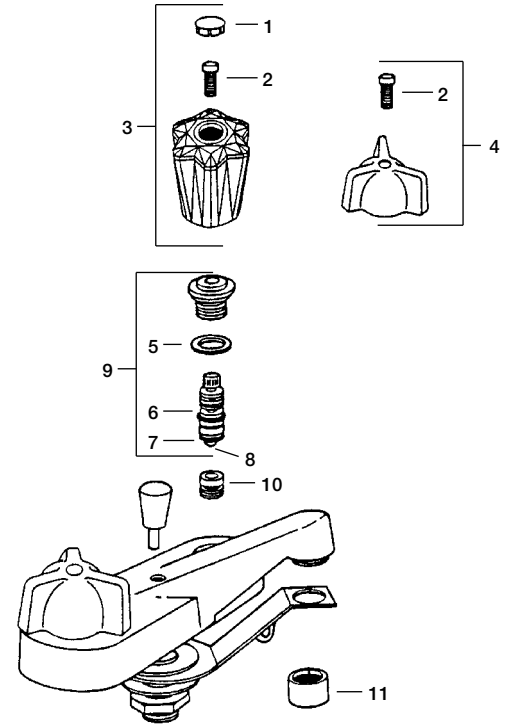
REPAIRS FOR

STREAMWAY

LAVATORY FAUCET

Series 0214D

Item No.	Stock No.	OEM Ref No.	Description
1	—	1500-1	Index Button <i>Hot</i>
	—	1500-1	Index Button <i>Cold</i>
2	35643Z	108-9P	Handle Screw (10 per Pak)
3	88168	1500-3	(1) Pair Handles <i>Acrylic</i>
4	88177X	1800-3	(1) Pair Handles <i>Metal</i>
5	35566B	108-7	Cap Thread Gasket
6	35725B	108-10	Stem O-Ring
7	35062B	108-6	00 Flat Bibb Washer
8	35142B	108-8	Bibb Screw <i>Chrome Plated</i>
11	15641E	108-0	Stem with Bonnet R.H. <i>Hot or Cold</i>
10	30078E	108-25	Bibb Seat <i>Brass</i>
11	10481	—	15/16 Female Aerator



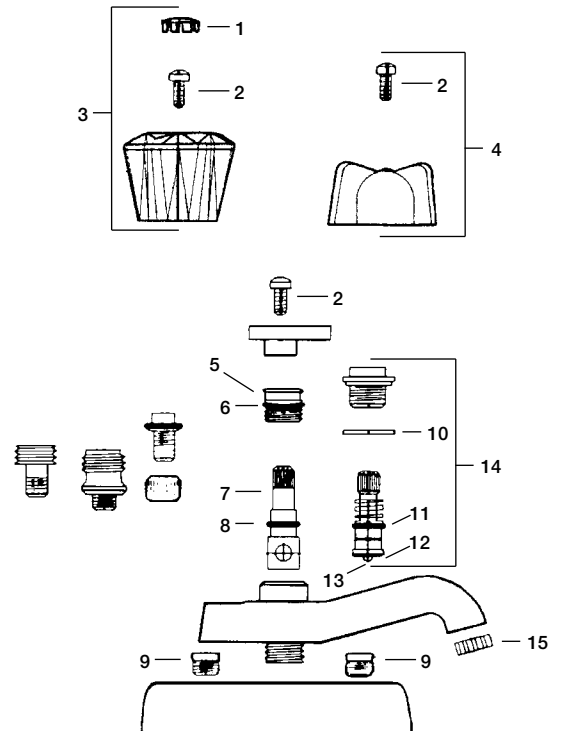
REPAIRS FOR

STREAMWAY

LAVATORY DIVERTER FAUCET

Series 0214D

Item No.	Stock No.	OEM Ref No.	Description
1	—	1500-1	Index Button <i>Hot</i>
	—	1500-1	Index Button <i>Cold</i>
2	—	108-9P	Handle Screw (10 per Pak)
3	88168	1500-3	(1) Pair Handles <i>Acrylic</i>
4	88177X	1800-3	(1) Pair Handles <i>Metal</i>
5	—	910-2	Bonnet
6	35754B	970-7	O-Ring
7	—	214-1	Stem
8	35725B	108-10	O-Ring
9	30078E	108-25	Seat
10	35564B	108-7	Bonnet Washer
11	35725B	108-10	O-Ring
12	35062B	108-6	00 Flat Bibb Washer
13	—	108-8	Bibb Screw
14	15641E	108-0	Stem with Bonnet R.H. <i>Hot or Cold</i>
15	10483	104-8	Aerator

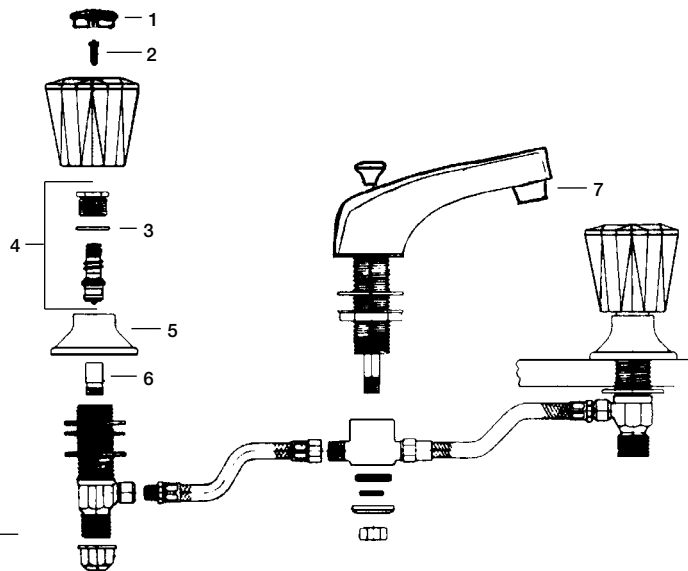


REPAIRS FOR

STREAMWAY

WIDESPREAD LAVATORY FAUCET

Series 2185



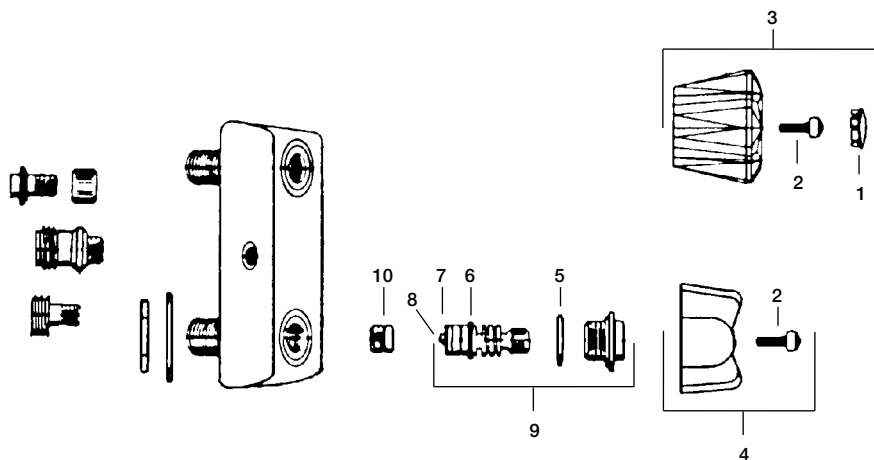
Item No.	Stock No.	OEM Ref No.	Description
1	—	1500-1	Index Button <i>Hot</i>
	—	1500-1	Index Button <i>Cold</i>
2	—	108-9P	Handle Screw (10 per Pak)
3	35754B	970-7	Bonnet Washer
4	15918B	960-0	Stem Unit Complete <i>Hot</i>
	16000B	960-0	Stem Unit Complete <i>Cold</i>
5	—	2185-4	Flange
6	—	2185-20	Seat
7	10489	108-31	Aerator

REPAIRS FOR

STREAMWAY

BATH FIXTURE

Series 113



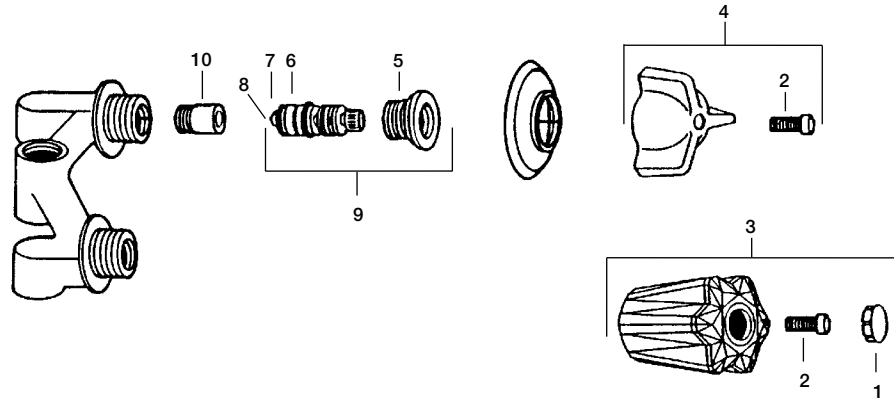
Item No.	Stock No.	OEM Ref No.	Description
1	—	1500-1	Index Button <i>Hot</i>
	—	1500-1	Index Button <i>Cold</i>
2	—	108-9P	Handle Screw (10 per Pak)
3	88168	1500-3	(1) Pair Handles <i>Acrylic</i>
4	88177X	1800-3	(1) Pair Handles <i>Metal</i>
5	35564B	108-7	Bonnet Washer
6	35725B	108-10	O-Ring
7	35062B	108-6	00 Flat Bibb Washer
8	—	108-8	Bibb Screw
9	15641E	108-0	Stem with Bonnet R.H. Hot or Cold
10	30078E	108-25	Seat

REPAIRS FOR

STREAMWAY

BATH FIXTURE

Model 310



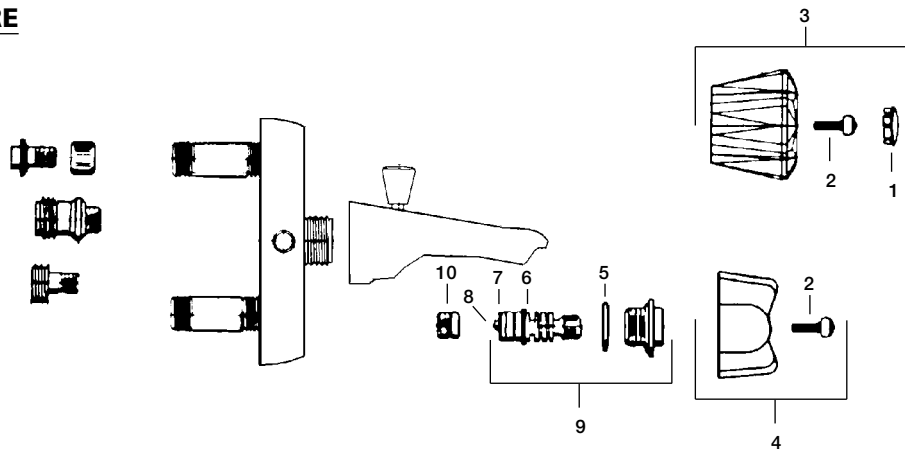
Item No.	Stock No.	OEM Ref No.	Description
1	—	1500-1	Index Button <i>Hot</i>
	—	1500-1	Index Button <i>Cold</i>
2	—	108-9P	Handle Screw (10 per Pak)
3	88168	1500-3	(1) Pair Handles <i>Acrylic</i>
4	88177X	1800-3	(1) Pair Handles <i>Metal</i>
5	35754B	970-7	Bonnet O-Ring
6	35725B	108-10	O-Ring
7	35062B	108-6	00 Flat Bibb Washer
8	—	108-8	Bibb Screw
9	15918B 16000B	970-0 970-0	Stem with Bonnet R.H. <i>Hot</i> Stem with Bonnet L.H. <i>Cold</i>
10	—	118-20	Bibb Seat

REPAIRS FOR

STREAMWAY

BATH FIXTURE

Series 334



Item No.	Stock No.	OEM Ref No.	Description
1	—	1500-1	Index Button <i>Hot</i>
	—	1500-1	Index Button <i>Cold</i>
2	35643B	108-9P	Handle Screw
3	88168	1500-3	(1) Pair Handles <i>Acrylic</i>
4	88177X	1800-3	(1) Pair Handles <i>Metal</i>
5	35564B	108-7	Bonnet Washer
6	35725B	108-10	O-Ring
7	35062B	108-6	00 Flat Bibb Washer
8	—	108-8	Bibb Screw
9	15641E	108-0	Stem with Bonnet R.H. <i>Hot or Cold</i>
10	30078E	108-25	Seat

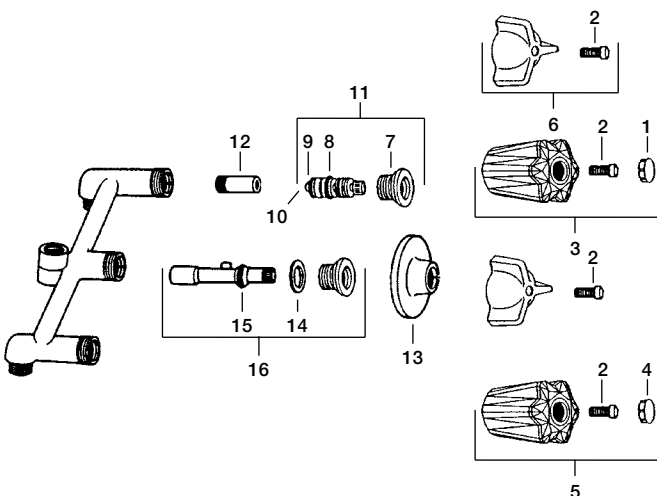
REPAIRS FOR

STREAMWAY

BATH FIXTURE

Series 971-H

Item No.	Stock No.	OEM Ref No.	Description
1	—	1500-1	Index Button <i>Hot</i>
	—	1500-1	Index Button <i>Cold</i>
2	—	108-9P	Handle Screw (10 per Pak)
3	88168	1500-3	(1) Pair Handles <i>Acrylic</i>
4	—	1500-1	Index Button <i>Diverter</i>
5	88169	1500-3	Diverter Handle <i>Acrylic</i>
6	88177X	1800-3	(1) Pair Handles <i>Metal</i>
7	35754B	970-7	Bonnet O-Ring
8	35725B	108-10	Stem O-Ring
9	35062B	108-6	00 Flat Bibb Washer
10	35141B	108-8	Bibb Screw <i>Chrome Plated</i>
	—	108-8	Monel Bibb Screw
11	15918B	970-0	Stem with Bonnet R.H. Hot or Cold
	16000B	970-0	Stem with Bonnet L.H. Cold
12	—	800-25	Bibb Seat <i>Brass</i> (10 per Pak)
13	88183	970-4	Escutcheon
14	35564B	970-7	Cap Thread Gasket
15	35762B	108-10	Stem O-Ring
16	—	—	Stem with Bonnet Diverter

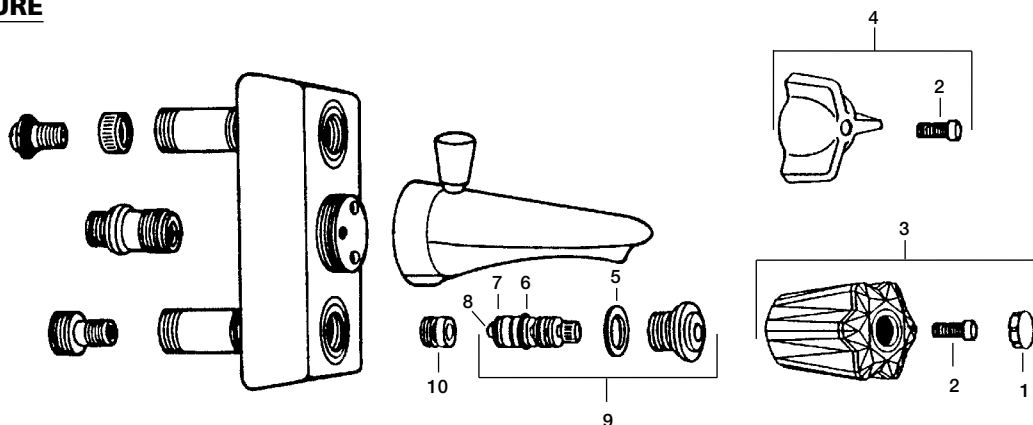


REPAIRS FOR

STREAMWAY

BATH FIXTURE

Model 1334



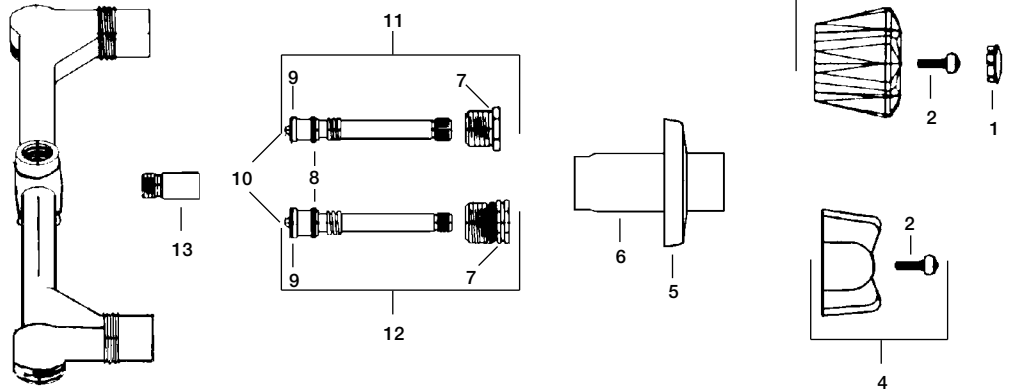
Item No.	Stock No.	OEM Ref No.	Description
1	—	1500-1	Index Button <i>Hot</i>
	—	1500-1	Index Button <i>Cold</i>
2	—	108-9P	Handle Screw (10 per Pak)
3	88168	1500-3	(1) Pair Handles <i>Acrylic</i>
4	88177X	1800-3	(1) Pair Handles <i>Metal</i>
5	35566B	108-7	Cap Thread Gasket
6	35725B	108-10	O-Ring
7	35062B	108-6	00 Flat Bibb Washer
8	35142B	108-8	Bibb Screw
9	15641E	108-0	Stem with Bonnet R.H. Hot or Cold
10	30078E	108-25	Bibb Seat

REPAIRS FOR

STREAMWAY

BATH FIXTURE

Series 1701



Item No.	Stock No.	OEM Ref No.	Description
1	—	1500-1	Index Button <i>Hot</i>
	—	1500-1	Index Button <i>Cold</i>
2	—	108-9P	Handle Screw (10 per Pak)
3	88168	1500-3	(1) Pair Handles <i>Acrylic</i>
4	88177X	1800-3	(1) Pair Handles <i>Metal</i>
5	—	1800-4	Flange
6	—	1800-6	Flange Tube
7	35754B	970-7	O-Ring

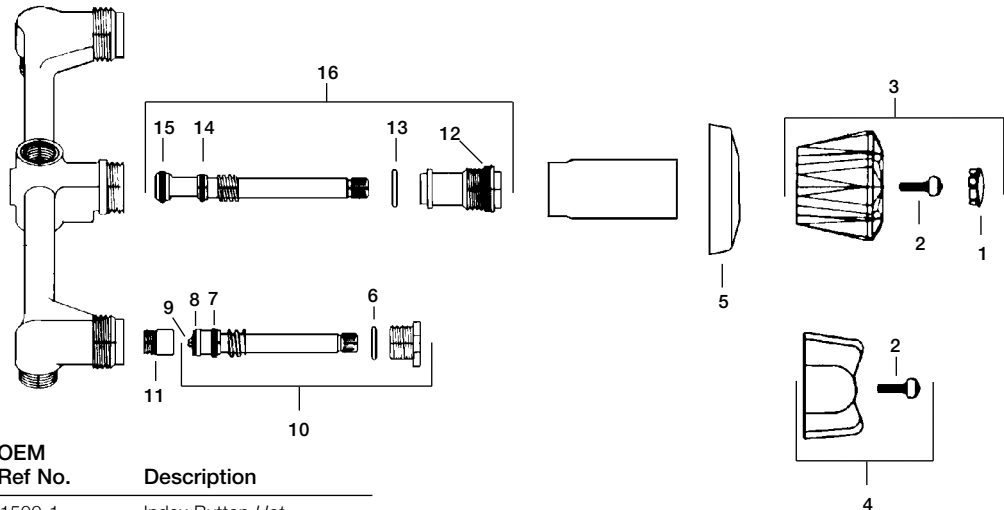
Item No.	Stock No.	OEM Ref No.	Description
8	35725B	108-10	O-Ring
9	35062B	108-6	00 Flat Bibb Washer
10	—	108-8	Bibb Screw
11	17050B	1811-0	Stem Unit <i>Old Style</i> Hot or Cold
12	17347B	1800-0	Stem Unit <i>New Style</i> Hot or Cold
13	—	790-20	Renewable Seat

REPAIRS FOR

STREAMWAY

BATH FIXTURE

Series 2921



Item No.	Stock No.	OEM Ref No.	Description
1	—	1500-1	Index Button <i>Hot</i>
	—	1500-1	Index Button <i>Cold</i>
	—	1500-1	Index Button <i>Diverter</i>
2	—	108-9P	Handle Screw (10 per Pak)
3	88168	1500-3	(1) Pair Handles <i>Acrylic</i>
	88169	1500-3	Diverter Handle <i>Acrylic</i>
4	88177X	1800-3	(1) Pair Handles <i>Metal</i>
5	—	1800-4	Escutcheon
6	35564B	970-7	Bonnet Washer
7	35726B	108-10	O-Ring
8	35062B	108-6	00 Flat Bibb Washer
9	—	108-8	Bibb Screw

Item No.	Stock No.	OEM Ref No.	Description
10	17050B	1811-0	Stem Unit <i>Old Style</i> Hot or Cold
11	—	118-20	Seat
12	35731B	P7	O-Ring
13	—	2900-8	Bonnet Washer
14	35724B	P10	O-Ring
15	35725B	2900-6	O-Ring
16	—	2900-1	Diverter Unit Complete

SYMMONS

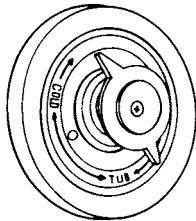
PRESSURE BALANCING BATH MIXING VALVES

Series **Safetymix'ette II** (1969 to Date)

Model 4 Valve with Temperature Control Only

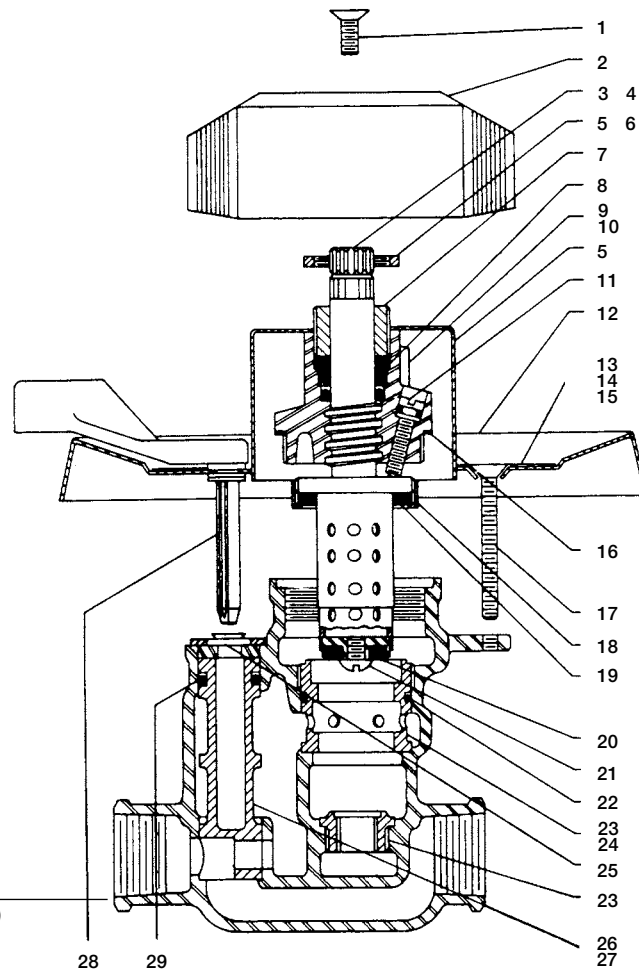
Model 5 Valve with Temperature & Volume Control

Model 6 Valve with Temperature Control & Diverter



NOTE

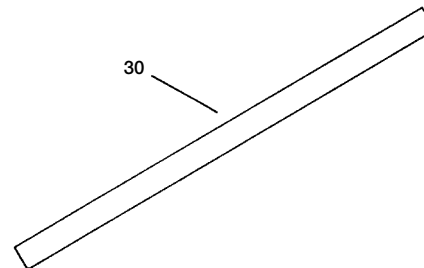
Identify Valve By Dial Marking
 Safetymix'ette Series II Model 4
 Safetymix'ette Series II Model 5
 Safetymix'ette Series II Model 6



NOTE

When Replacing Seats (23 & 24),
 Both Hot & Cold Seats Must Be Placed At
 The Same Time To Insure Proper Operation

Item No.	Stock No.	OEM Ref No.	Description
1	—	S-32	#33 Handle Screw (10 per Pak)
2	—	S-31	Handle
3	—	SA-10	Spindle (Use TA-10)
4	37622	TA-10	Flow Control Spindle
5	37559	S-19/20	Dome Cover with Locknut
6	—	S-20	Dome Locknut (Use S-19/20)
7	—	S-17	Packing Nut
8	—	S-16	Packing O-Ring and Washer
9	—	S-12	Cap Assembly (Use T-12A)
10	—	T-12A	Cap Assembly
11	—	S-34	Limit Stop with O-Ring
12	—	S-27	Escutcheon
13	—	S-29A	Dial for Model 4
14	—	S-29B	Dial for Model 5
15	—	S-29C	Dial for Model 6
16	—	S-11	Cap Gasket
17	—	S-28	Escutcheon Screws (Not Required)
18	—	S-7	Cold Washer Retainer
19	—	S-8	Cold Washer
20	—	S-6	Hot Washer
21	37438	S-6/8	Hot and Cold Washer Set
	—	S-5	Hot Washer Screw
22	35747B	S-2	#33 Cold Seat O-Ring
23	—	S-1/3	Hot and Cold Renewable Seats (Use TA-4)
24	37619	TA-4	Seat Assembly (Includes T-1 Hot Seat and T-3 Cold Seat)
25	—	S-21	Hold Down Washer
26	—	S-23A	Volume Spindle for Model 5 <i>Black</i>
27	—	S-23B	Volume Spindle for Model 6 <i>Gray or Beige</i>
28	37615	S-30	Diverter Volume Control
29	35726B	S-24	#9 Spindle O-Ring
30	38761	S-35A	Hot Seat Removal Tool



SYMMONS

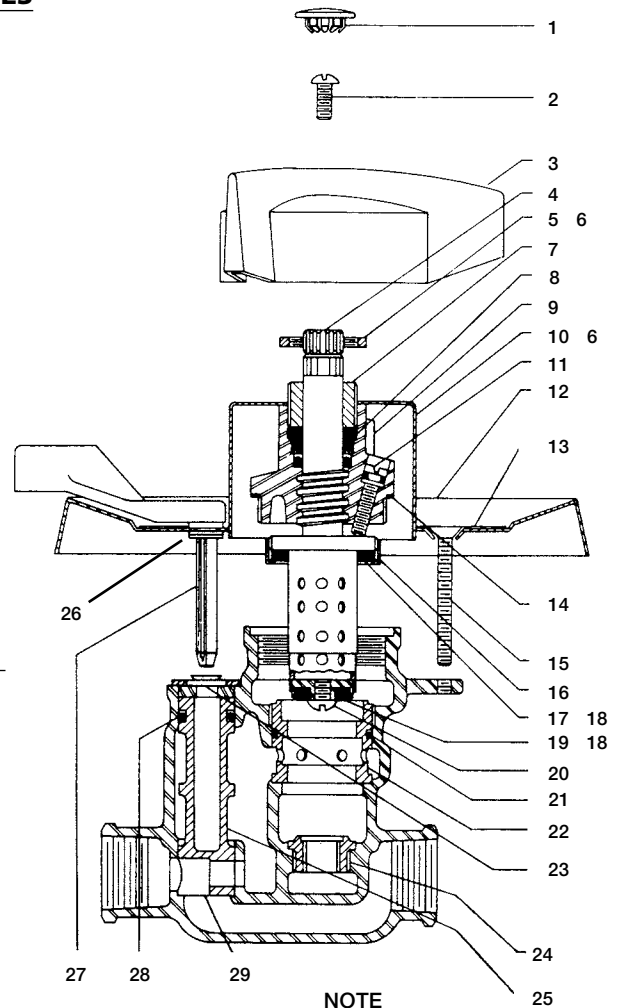
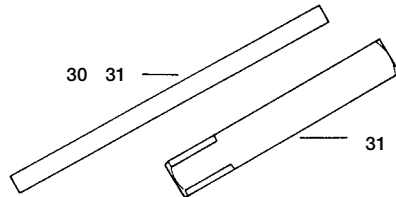
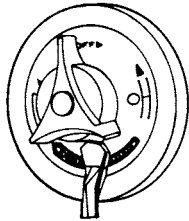
TEMPROL® PRESSURE BALANCING BATH MIXING VALVES

Series **Temptrol '76** (1968 to Date)

Model A Valve with Temperature Control & Diverter

Model B Valve with Temperature & Volume Control

Model C Valve with Temperature Control Only



Item No.	Stock No.	OEM Ref No.	Description
1	—	T-33	Handle Button
2	35141B	T-32	#4 Handle Screw (Bibb)
3	37577	T-31	Temperature Control Handle
4	37622	TA-10	Flow Control Spindle
5	—	T-20	Dome Locknut (Use T-19/20)
6	37559	T-19/20	Dome Cover and Locknut
7	—	T-17	Packing Nut
8	—	T-16	Packing O-Ring and Washer
9	—	T-12A	Cap Assembly
10	—	T-19	Dome Cover (Use T-19/20)
11	—	T-34	Limit Stop with O-Ring
12	37627	T-27	Escutcheon
13	—	T-29A	Dial for Model A
	37613	T-29B	Dial for Model B
	—	T-29C	Dial for Model C
14	—	T-11	Cap Gasket
15	—	T-28	Escutcheon Screws Two Required
16	—	T-7	Cold Washer Retainer
17	—	T-8	Cold Washer
18	—	T-6/8	Hot and Cold Washer Set
19	—	T-6	Hot Washer
20	—	T-5	Hot Washer Screw
21	35747B	T-2	33 Cold Seat O-Ring
22	—	T-3	Cold Renewable Seat <i>Sold Only in TA-4 Assembly</i>
23	—	T-21	Hold Down Washer w/Screw & One Hole
	—	T-21A	Hold Down Washer w/Screws & Two Holes
	—	T-21C	Diverter Retainer
24	—	T-1	Renewable Seats <i>Sold Only in TA-4 Assembly</i>
25	—	T-23A	Diverter Spindle for Model A
	—	T-23B	Diverter Spindle for Model B
	—	T-25A	Diverter Volume Spindle
26	—	T-27CL	Escutcheon Clip
27	37615	T-30	Diverter Volume Handle
28	35726B	T-24	#9 Spindle O-Ring
29	38764	TA-25A	Diverter Volume Spindle for Model A Valve <i>Gray or Beige</i>
	38765	TA-25B	Volume Spindle for Model B Valve <i>Black</i>
30	—	T-35A	Hot Seat Removal Tool
31	38761	T-35A/T-35B	Seat Removal Tool for Hot or Cold Seat

NOTE
When Replacing Seats,
Both Hot & Cold Seats Must Be Placed At
The Same Time To Insure Proper Operation

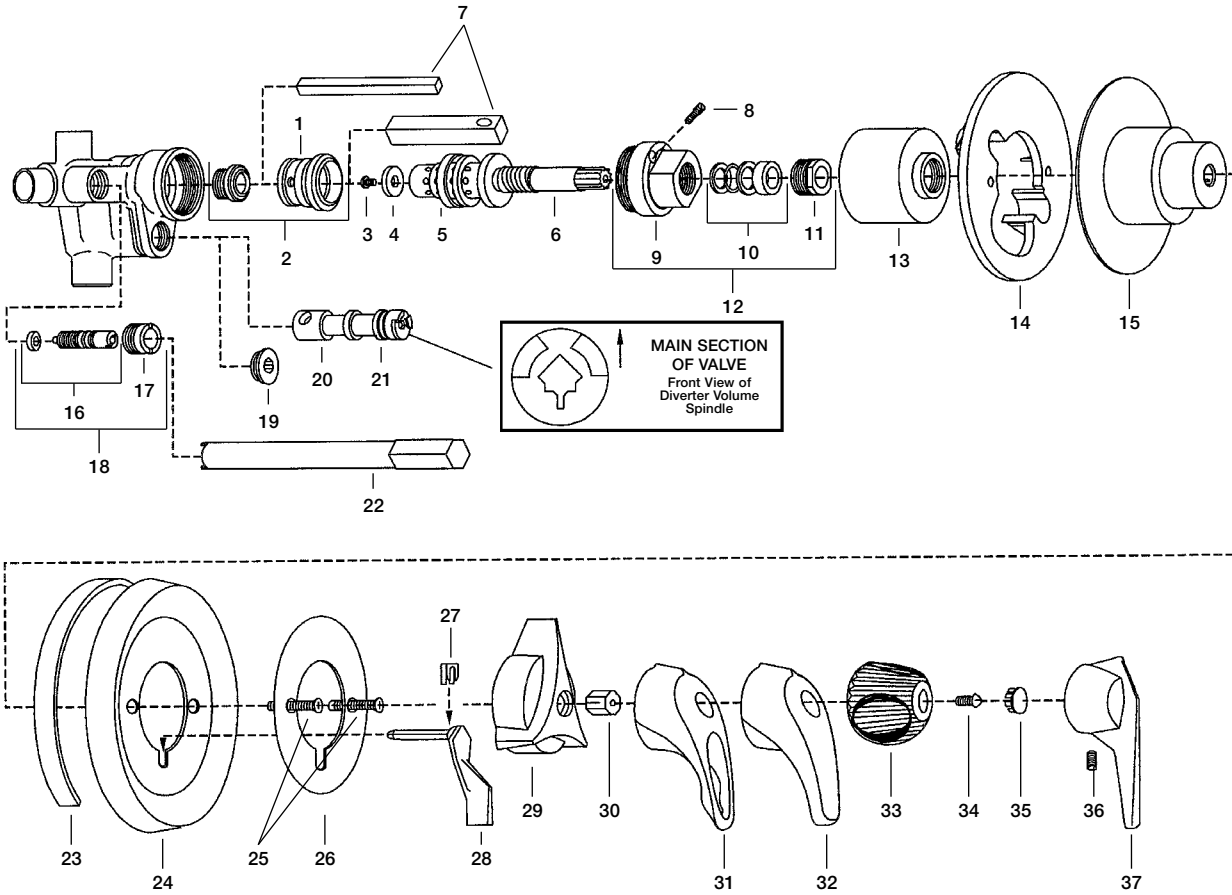
—	T-51	Handle Complete
—	DF-21/22	Diverter Handle
—	DF-16/17	Handle
—	DF-10	Handle Screw
—	—	#73 Handle Screw
—	DF-6	Handle Flange
—	DF-7.5 ESC.	Escutcheon
—	DF-9	Escutcheon Screws
—	T-51A/L51	Index Button (Use T-51)
—	DF-8	Dial
37619	TA-4	Seat Assembly Includes T-1 Hot Seat and T-3 Cold Seat

TEMPROL is a registered Trademark of Symmons Industries, Inc.
Items Not Illustrated

SYMMONS

TEMPROL® TUB & SHOWER VALVES

Series S-86-1, S-86-2, S-96-1



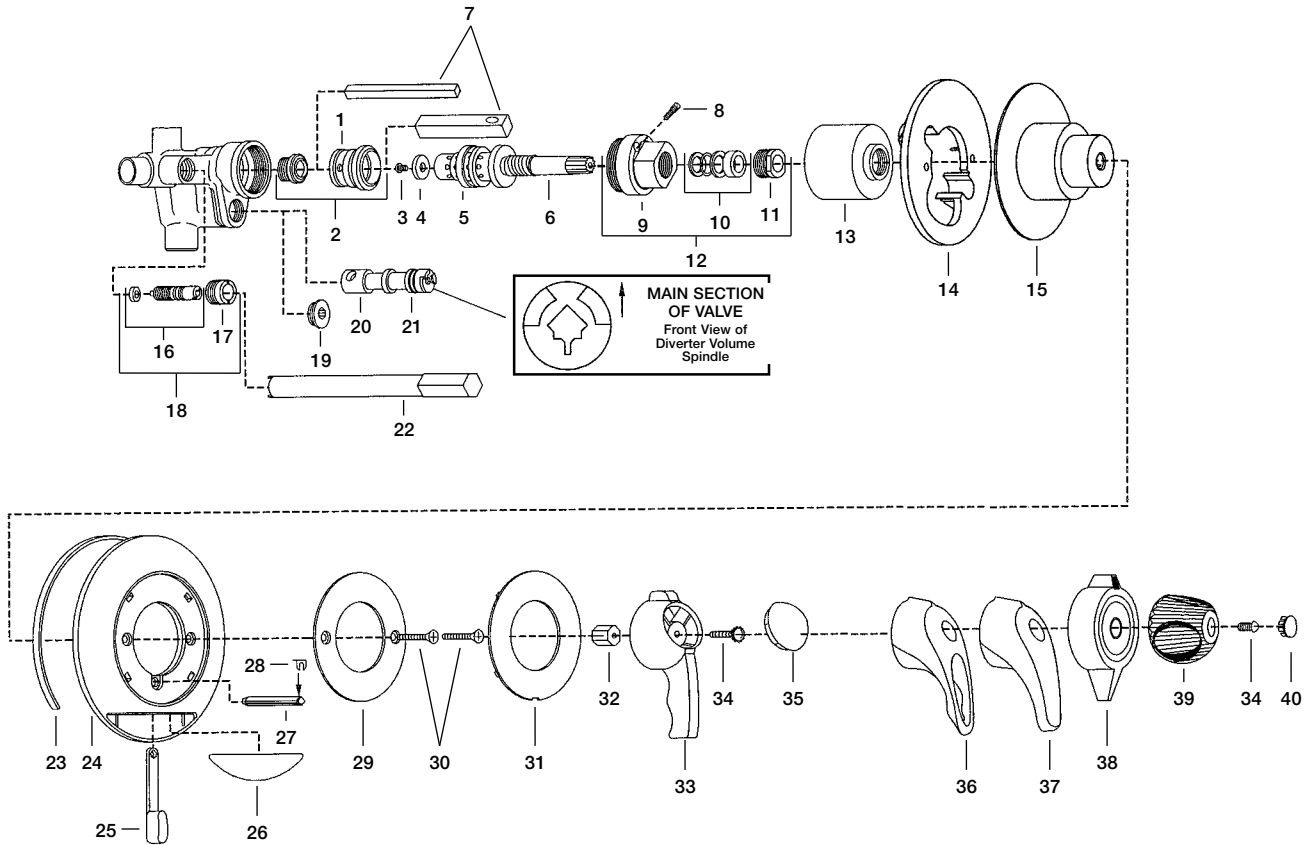
Item No.	Stock No.	OEM Ref No.	Description	Item No.	Stock No.	OEM Ref No.	Description
1	35747B	T-2	Cold Seat O-Ring	23	—	T-27B	Gasket
2	37619	TA-4	Hot & Cold Seat with O-Ring	24	37627	T-27	Escutcheon
3	—	T-5	Hot Washer Screw	25	—	T-28	Escutcheon Screws
4	37438	T-6/8	Hot & Cold Washer	26	—	T-29A	Dial for Model A
5	37437	T-7	Cold Washer Retainer		37613	T-29B	Dial for Model B
6	37622	TA-10	Flow Control Spindle		—	T-29C	Dial for Model C
7	38761	T-35A/B	Hot & Cold Seat Removing Tool	27	—	T-27CL	Diverter Handle Clip
8	—	T-34	Limit Stop with O-Ring	28	37615	T-30	Diverter and/or Volume Handle
9	—	T-11	Cap Gasket	29	37577	T-31	Temperature Control Handle Assembly
10	—	T-16	Packing, O-Ring and Washer	30	—	T3-31 INS	Handle Insert
11	—	T-17	Packing Nut	31	—	T3-31L	Lever Handle Assembly Loop Style
12	—	T-12A	Cap Assembly	32	—	T3-31S	Lever Handle Assembly Solid Style
13	37559	T-19/20	Dome Cover & Locknut	33	—	T-101	Handle Assembly Acrylic
14	—	T-177	Wall Mounting Flange	34	35141B	T-32	Handle Screw with Lock Washer Plug Button
15	—	T-176	Plaster Shield	35	—	T-33	Set Screw
16	—	T-52A	Escutcheon Screw Retainer	36	—	SC-15A	Single Blade Lever Handle
17	—	T-55B	Stop Plaster Shield	37	—	RC-14X	
18	—	T-52	Stop Spindle Assembly				
19	—	T-21C	Diverter Retainer				
20	38764	TA-25A	Diverter Spindle for Model A Gray or Beige				
21	35726B	TA-25B	Diverter Spindle for Model B Black				
22	—	T-55C	Stop Plaster Shield Removal Tool				

TEMPROL is a registered Trademark of Symmons Industries, Inc.

SYMMONS

TEMPROL® 2000 SHOWER VALVES

Series S-15-1-X



Item No.	Stock No.	OEM Ref No.	Description
1	35747B	T-2	Cold Seat O-Ring
2	37619	TA-4	Hot & Cold Seat with O-Ring
3	—	T-5	Hot Washer Screw
4	37438	T-6/8	Hot & Cold Washer
5	—	T-7	Cold Washer Retainer
6	37622	TA-10	Flow Control Spindle
7	38761	T-35A/B	Hot & Cold Seat Removal Tool
8	—	T-34	Limit Stop with O-Ring
9	—	T-11	Cap Gasket
10	—	T-16	Packing, O-Ring and Washer
11	—	T-17	Packing Nut
12	—	T-12A	Cap Assembly
13	37559	T-19/20	Dome Cover and Locknut
14	—	T-177	Wall Mounting Flange
15	—	T-176	Plaster Shield
16	—	T-52A	Escutcheon Screw Retainer
17	—	T-55B	Stop Plaster Shield
18	—	T-52	Stop Spindle Assembly
19	—	T-21C	Diverter Retainer
20	38764	TA-25A	Diverter Spindle for Model A <i>Gray or Beige</i>
	38765	TA-25B	Diverter Spindle for Model B <i>Black</i>
21	35726B	T-24	Spindle O-Ring
22	—	T-55C	Stop Plaster Shield Removal Tool
23	—	T3-27B	Escutcheon Gasket
24	—	T3-27D	Escutcheon for Models A and B
	—	T3-27	Escutcheon for Model C
25	—	T3-30	Diverter and/or Volume Handle

Item No.	Stock No.	OEM Ref No.	Description
26	—	T-143	Tub/Shower Dial/Emblem
	—	T-144	Shower Dial/Emblem
27	—	T-154	Diverter Shaft
28	—	T-153	Diverter Shaft Clip
29	—	T3-29K	Dial (for BP Series)
30	—	T3-28	Escutcheon Screw
31	—	T3-29	Dial/Emblem Assembly
32	—	T3-31 INS	Handle Insert
33	—	T3-31	Temperature Control
	—	T3-32	Handle Assembly
34	35141B	T-32	Handle Screw with Lock Washer
35	—	T3-33R	Plug Button
36	—	T3-31L	Lever Handle Assembly <i>Loop Style</i>
37	—	T3-31S	Lever Handle Assembly <i>Solid Style</i>
38	—	T-65	Temperature Control Handle for BP Series
39	—	T-101	Handle Assembly <i>Acrylic</i>
40	—	T-33	Plug Button

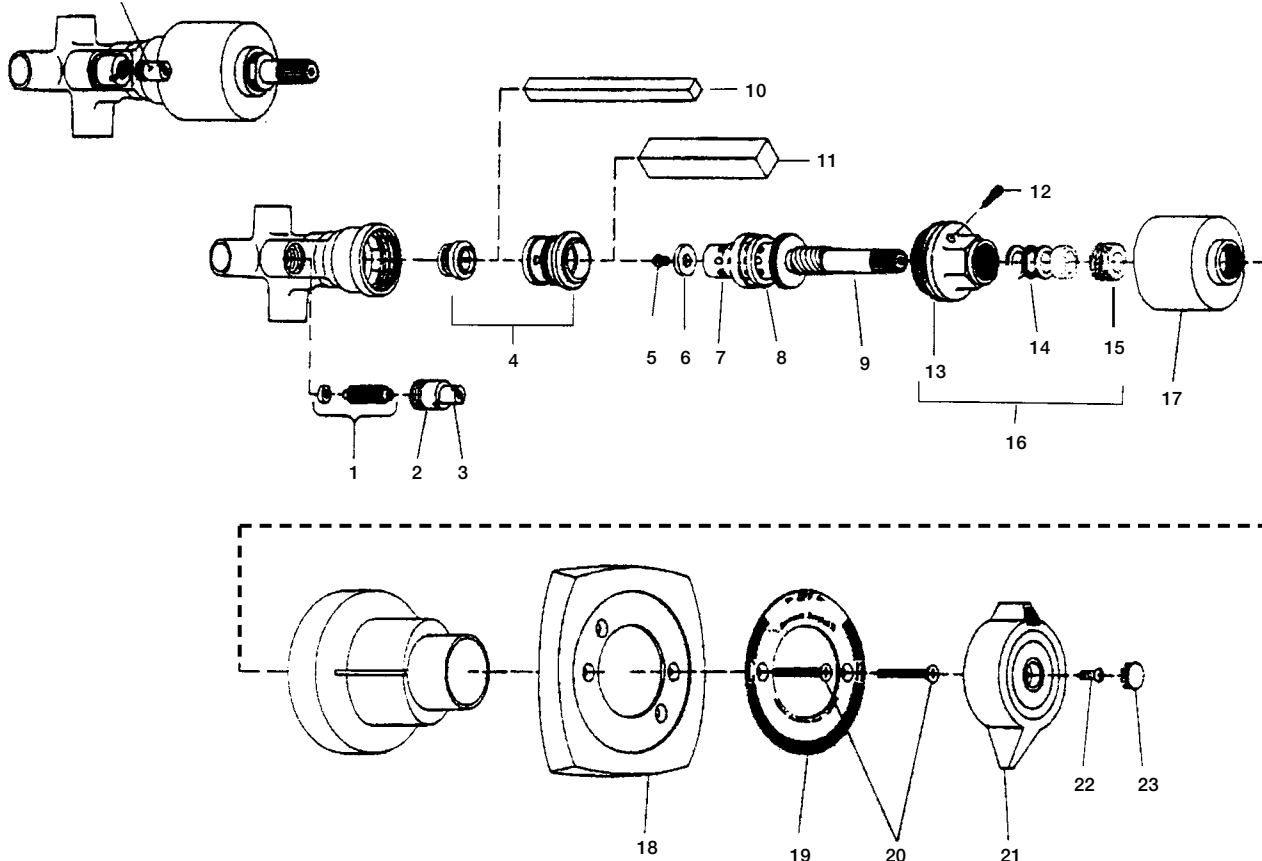
TEMPROL is a registered Trademark of Symmons Industries, Inc.

SYMMONS

TEMPROL® II TUB & SHOWER VALVE

Model E

Remove Escutcheon
Screw Retainers (T-54)
with 3/16" Allen Key
for access to stops (T-52)



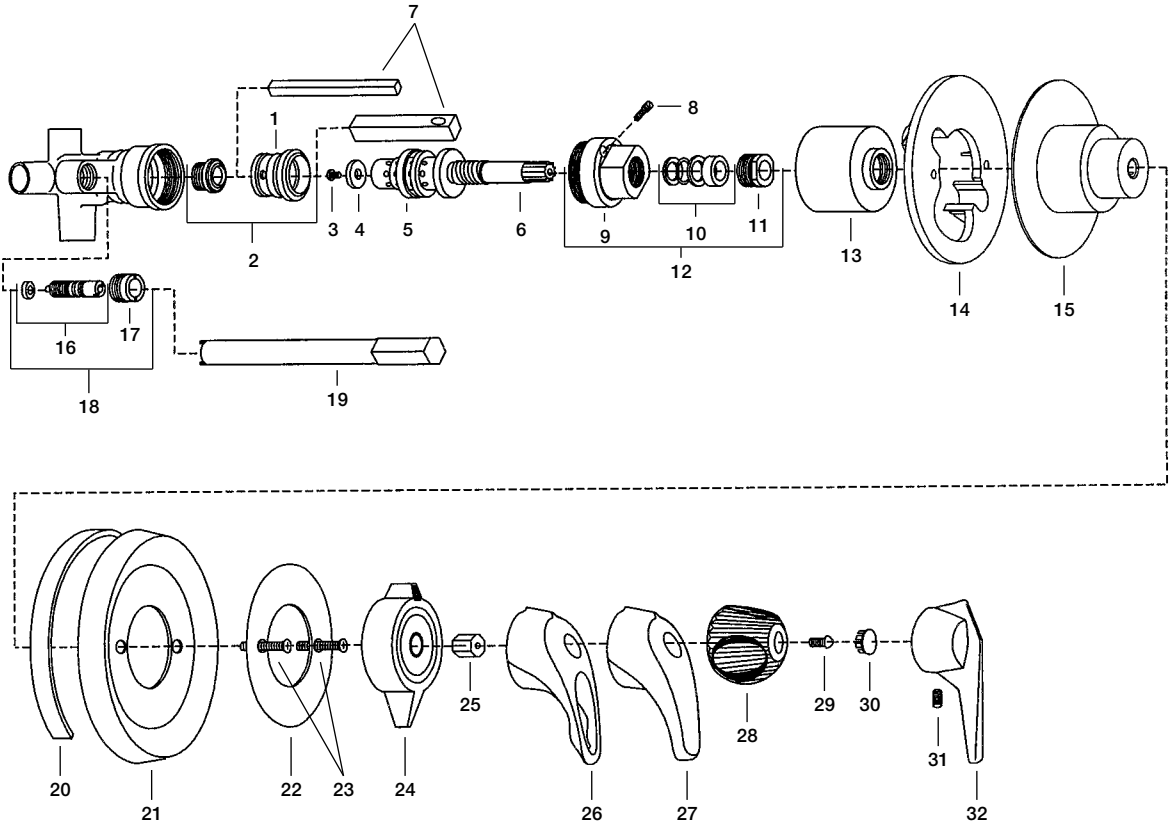
Item No.	Stock No.	OEM Ref No.	Description
1	—	T-52	Spindle Assembly
2	—	T-55	Plaster Shield
3	—	T-54	Escutcheon Screw Retainer
4	37619	TA-4	Hot Seat, Cold Seat, Cold Seat O-Ring
5	38817	T-5	Hot Washer Screw
6	—	T-6	Hot Washer
7	—	T-7	Cold Washer Retainer
8	—	T-8	Cold Washer
9	37622	TA-10	Flow Control Spindle
10	—	T-35A	Hot Seat Removal Tool
11	38761	T-35B	Cold Seat Removal Tool
12	—	T-34	Limit Stop with O-Ring
13	—	T-11	Cap Gasket
14	—	T-16	Packing O-Ring & Washer
15	—	T-17	Packing Nut
16	—	T-12A	Cap Assembly
17	37559	T-19/20	Dome Cover & Locknut
18	—	T-63	Escutcheon
19	—	T-64	Dial
20	—	T-28	Escutcheon Screws (2)
21	—	T-65	Temperature Control Handle
22	—	T-32	Handle Screw
23	—	T-33	Plug Button
	—	TA10 Ext	Stem Extension <i>Not Illustrated</i>

TEMPROL is a registered Trademark of Symmons Industries, Inc.

SYMMONS

TEMPROL® II TUB & SHOWER VALVES

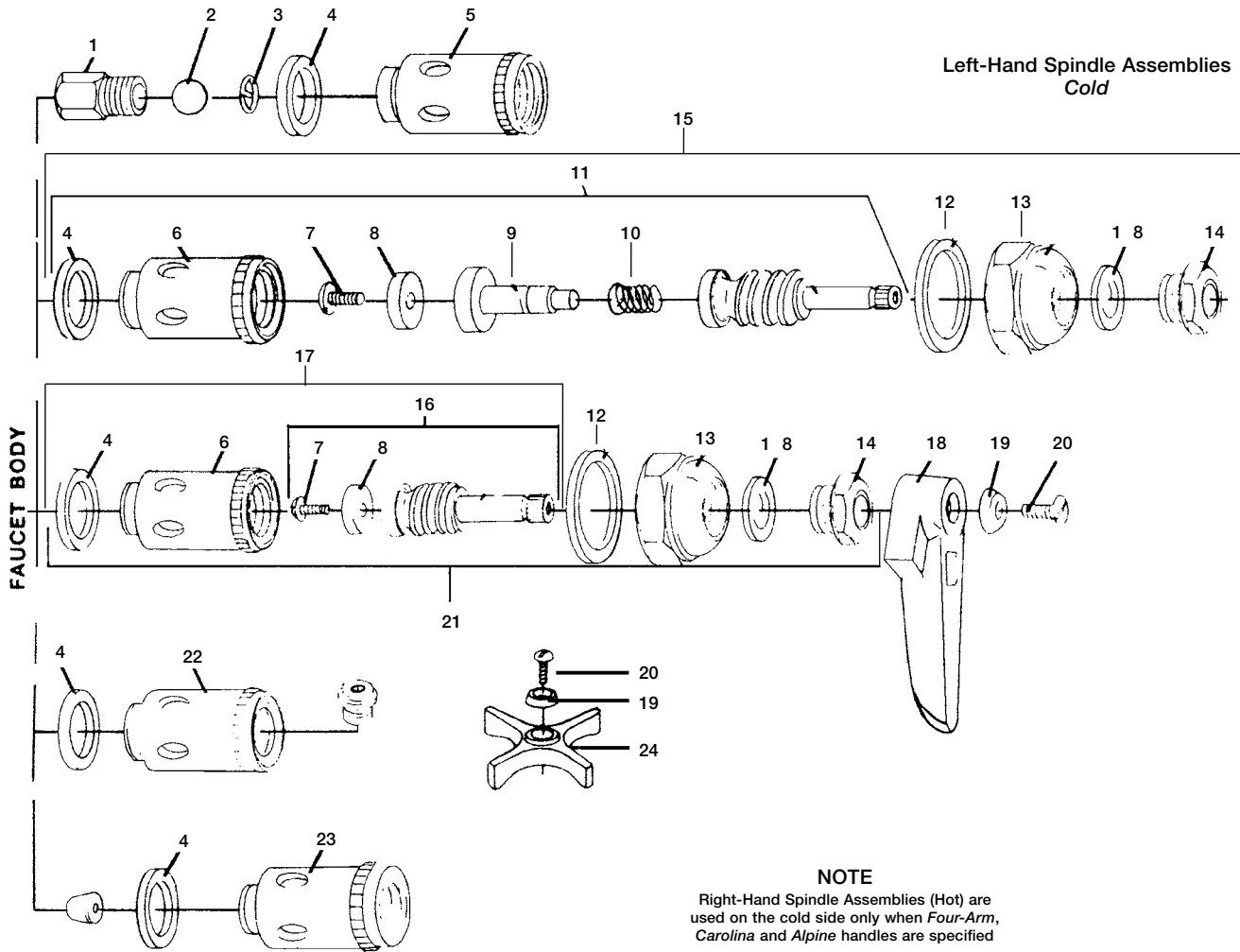
Series BP-46-2



Item No.	Stock No.	OEM Ref No.	Description	Item No.	Stock No.	OEM Ref No.	Description
1	35747B	T-2	Cold Seat O-Ring	20	—	T-27B	Gasket
2	37619	TA-4	Hot & Cold Washer Seat with O-Ring	21	37627	T-27	Escutcheon
3	—	T-5	Hot Washer Screw	22	—	T-29CT	Dial
4	37438	T-6/8	Hot & Cold Washer	23	—	T-28	Escutcheon Screws
5	—	T-7	Cold Washer Retainer	24	—	T-65	Temperature Control Handle
6	37622	TA-10	Flow Control Spindle	25	—	T3-31 INS	Handle Insert
7	38761	T-35A/B	Hot & Cold Seat Removal Tool	26	—	T3-31L	Lever Handle Assembly <i>Loop Style</i>
8	—	T-34	Limit Stop with O-Ring	27	—	T3-31S	Lever Handle Assembly <i>Solid Style</i>
9	—	T-11	Cap Gasket	28	—	T-101	Handle Assembly <i>Acrylic</i>
10	—	T-16	Packing, O-Ring and Washer	29	35141B	T-32	Handle Screw with Lock Washer
11	—	T-17	Packing Nut	30	—	T-33	Plug Button
12	—	T-12A	Cap Assembly	31	—	SC-15A	Set Screw
13	37559	T-19/20	Dome Cover & Locknut	32	—	RC-14X	Single Blade Lever Handle
14	—	T-177	Wall Mounting Flange				
15	—	T-176	Plaster Shield				
16	—	T-52A	Escutcheon Screw Retainer				
17	—	T-55B	Stop Plaster Shield				
18	—	T-52	Stop Spindle Assembly				
19	—	T-55C	Stop Plaster Shield Removal Tool				

TEMPROL is a registered Trademark of Symmons Industries, Inc.

SPINDLE ASSEMBLIES



NOTE
 Right-Hand Spindle Assemblies (Hot) are used on the cold side only when *Four-Arm*, *Carolina* and *Alpine* handles are specified

Item No.	Stock No.	OEM Ref No.	Description
1	—	766-20	Ball Check Seat
2	—	1408-45	Brass Ball
3	—	891-45	Spring
4	36169B	2602-45	Barrel Gasket
5	—	790-20	Barrel R.H. Hot
6	17002E	788-20	Barrel R.H. Hot
	17003E	789-20	Barrel L.H. Cold
	—	—	Barrel L.H. Cold
	—	—	Barrel Pair R.H. Hot & L.H. Cold
	—	—	Barrel Pair R.H. Hot & L.H. Cold
7	35142B	933-45	Bibb Screw <i>Chrome Plated</i>
8	35063B	1092-45	0 Flat Bibb Washer
9	—	3164-45	Seat Holder
10	—	1479-45	Stem Spring
11	—	2712-40	Stem with Bonnet R.H. Hot
	—	2711-40	Stem with Bonnet L.H. Cold
12	35580B	2601-45	Cap Thread Gasket
13	—	607-40	Bonnet Cap R.H. Hot & Cold
14	—	718-25	Packing Nut
15	—	—	Stem with Bonnet and Cap R.H. Hot
	—	—	Stem with Bonnet and Cap L.H. Cold
16	—	811-25	Stem R.H. Hot
	—	812-25	Stem L.H. Cold
17	16098E	—	Stem with Bonnet R.H. Hot
	16099E	—	Stem with Bonnet L.H. Cold

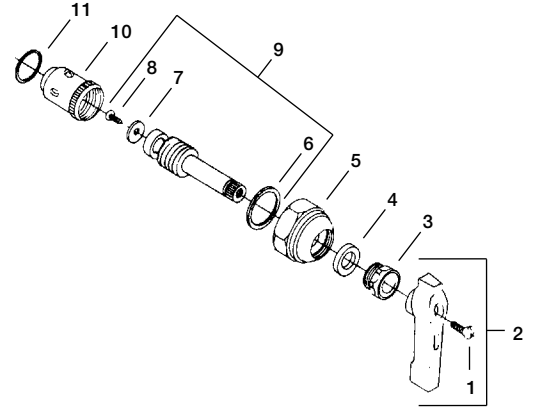
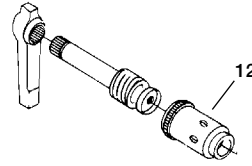
Item No.	Stock No.	OEM Ref No.	Description
18	—	1637-45	Hot Lever Handle
	—	1636-45	Cold Lever Handle
	20181	—	(1) Pair Lever Handles
19	—	1661-45	Index Button <i>Hot</i>
	—	1660-45	Index Button <i>Cold</i>
20	—	922-45	Handle Screw (10 per Pak)
21	—	2714-40	Stem with Bonnet, Cap R.H. Hot
	—	2713-40	Stem with Bonnet, Cap L.H. Cold
22	—	793-20	Barrel R.H. <i>Hot</i>
	—	793-20	Barrel L.H. <i>Cold</i>
23	—	2613-45	Barrel R.H. <i>Hot</i>
	—	2614-45	Barrel L.H. <i>Cold</i>
24	—	2521-45	Cross Arm Handle
	—	—	(1) Pair Cross Arm Handles
	35721B	1098-45	Bonnet O-Ring <i>Not Illustrated</i>
	—	1098-45	Bonnet Packing <i>Not Illustrated</i>

REPAIRS FOR

T&S

REPAIRS FOR ETERNA FAUCETS

In Use Since Mid 1968



Item No.	Stock No.	OEM Ref No.	Description
1	—	25F	Handle Screw (10 per Pak)
2	—	23F	Hot Handle Complete
	—	24F	Cold Handle Complete
	20181	—	(1) Pair Lever Handles
3	—	41L	Packing Nut
4	—	40L	Packing
5	—	39L	Bonnet Nut
6	—	65L	Gasket
7	35063B	19L	0 Bibb Washer
8	—	20L	Bibb Screw
9	—	67L	Cold Stem
	—	18L	Hot Stem
10	17003E	66L	Barrel for Cold Stem
11	19931B	63L	Gasket
12	17002E	64L	Barrel for Hot Stem

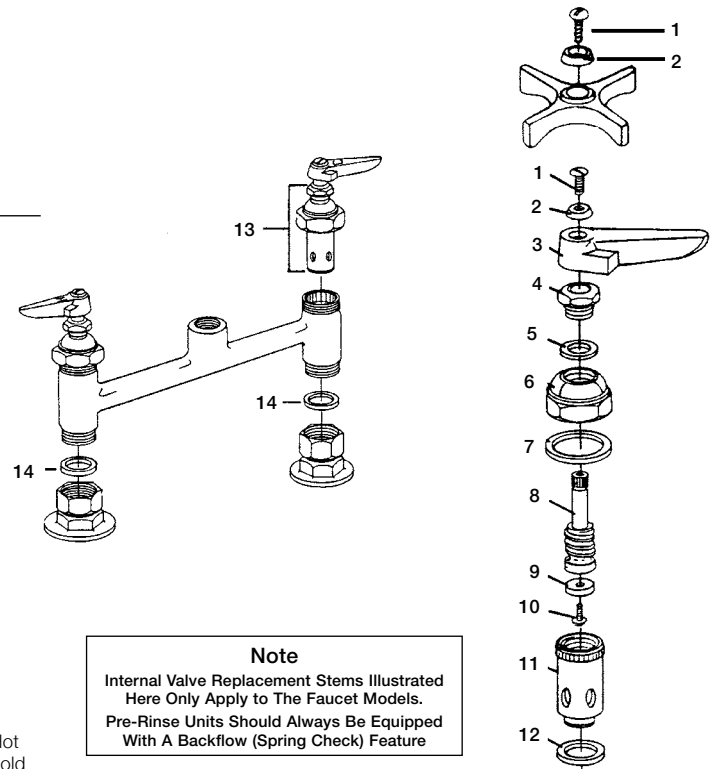
REPAIRS FOR

T&S

RIGID BASE FAUCET

Pre-Rinse Models B-121 thru B-124, B-177
Faucet Models B-280 thru B-282, B-320

Item No.	Stock No.	OEM Ref No.	Description
1	—	922-45	Handle Screw (10 per Pak)
2	—	1661-45	Index Button Hot
	—	1660-45	Index Button Cold
3	20181	—	(1) Pair Lever Handles
4	—	718-25	Packing Nut
5	35721B	1098-45	Bonnet O-Ring
	—	1098-45	Bonnet Packing
6	—	607-40	Bonnet Cap R.H. Hot & Cold
7	35580B	2601-45	Cap Thread Gasket
8	—	811-25	Stem R.H. Hot
	—	812-25	Stem L.H. Cold
	16098E	2714-40	Stem with Bonnet R.H. Hot
	16099E	—	Stem with Bonnet L.H. Cold
9	35063B	1092-45	0 Flat Bibb Washer
10	35142B	933-45	Bibb Screw Chrome Plated
11	17002E	788-20	Barrel R.H. Hot
	17003E	789-20	Barrel L.H. Cold
	—	—	Barrel L.H. Cold Tin Lined
12	36169B	2602-45	Barrel Gasket
13	—	2714-40	Stem with Bonnet & Cap R.H. Hot
	—	2713-40	Stem with Bonnet & Cap L.H. Cold
14	35562B	1019-45	Washer (Cap Thread)



Note
Internal Valve Replacement Stems Illustrated Here Only Apply to The Faucet Models. Pre-Rinse Units Should Always Be Equipped With A Backflow (Spring Check) Feature

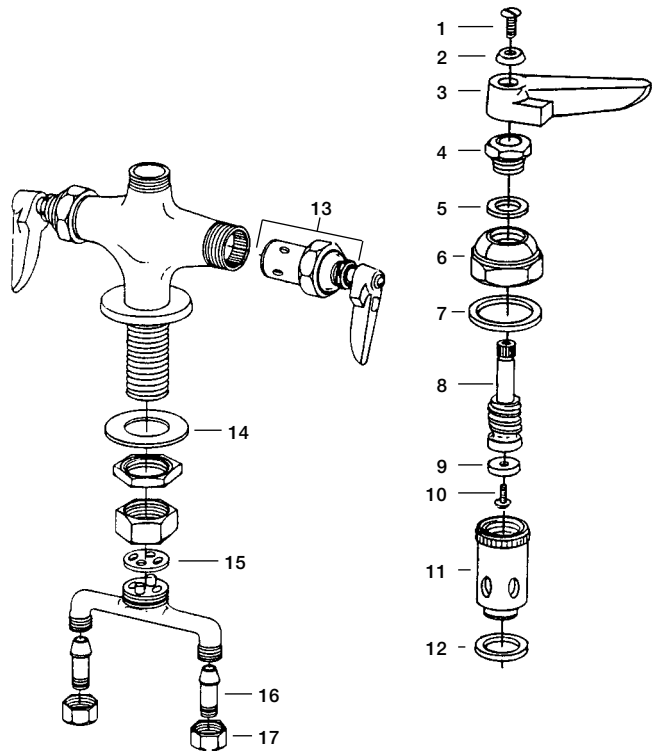
REPAIRS FOR

T&S

SWIVEL BASE FAUCET

Faucet Models B-200 thru B-202, B-250 thru B-252, B-301

Item No.	Stock No.	OEM Ref No.	Description
1	—	—	Handle Screw (10 per Pak)
2	—	140H	Index Button <i>Hot</i>
	—	141C	Index Button <i>Cold</i>
3	20181	—	(1) Pair Lever Handles
4	—	935PN	Packing Nut
5	35721B	—	Bonnet O-Ring
6	—	935BC	Bonnet Cap R.H. Hot & Cold
7	35580B	—	Cap Thread Gasket
8	—	—	Stem R.H. Hot
	—	—	Stem L.H. Cold
	16098E	—	Stem with Bonnet R.H. Hot
	16099E	—	Stem with Bonnet L.H. Cold
9	35063B	—	0 Flat Bibb Washer
10	35142B	—	Bibb Screw
11	17002E	937B	Barrel R.H. Hot
	17003E	938B	Barrel L.H. Cold
12	36169B	—	Barrel Gasket
13	—	—	Stem with Bonnet & Cap R.H. Hot
	—	—	Stem with Bonnet & Cap L.H. Cold
14	—	2290-45	Shank Washer
15	—	1041-45	Gasket
16	—	1592-20	Tailpiece
17	—	958-20	Tailpiece Nut



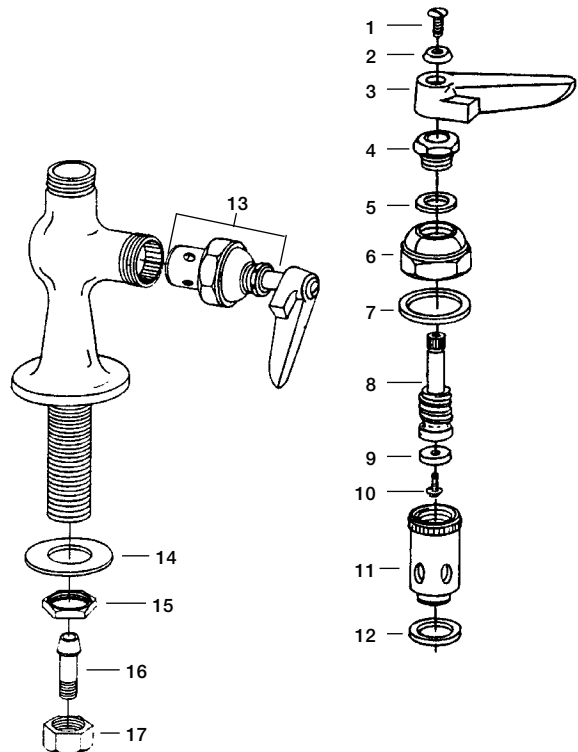
REPAIRS FOR

T&S

SWIVEL BASE FAUCET

Models B-205 thru B-208, B-255 thru B-257, B-306, B-590, B-591

Item No.	Stock No.	OEM Ref No.	Description
1	—	—	Handle Screw (10 per Pak)
2	—	1661-45	Index Button <i>Hot</i>
	—	1660-45	Index Button <i>Cold</i>
3	20181	—	(1) Pair Lever Handles
4	—	935PN	Packing Nut
5	35721B	—	Bonnet O-Ring
6	—	935BC	Bonnet Cap R.H. Hot & Cold
7	35580B	—	Cap Thread Gasket
8	—	—	Stem R.H. Hot
	—	—	Stem L.H. Cold
	16098E	—	Stem with Bonnet R.H. Hot
	16099E	—	Stem with Bonnet L.H. Cold
9	35063B	—	0 Flat Bibb Washer
10	35142B	—	Bibb Screw
11	17002E	937B	Barrel R.H. Hot
	17003E	938B	Barrel L.H. Cold
12	36169B	—	Barrel Gasket
13	—	—	Stem with Bonnet & Cap R.H. Hot
	—	—	Stem with Bonnet & Cap L.H. Cold
14	36476B	999-45	Basin Cock Washer
15	—	1801-20	Nut
16	—	1592-20	Tailpiece
17	—	958-20	Tailpiece Nut



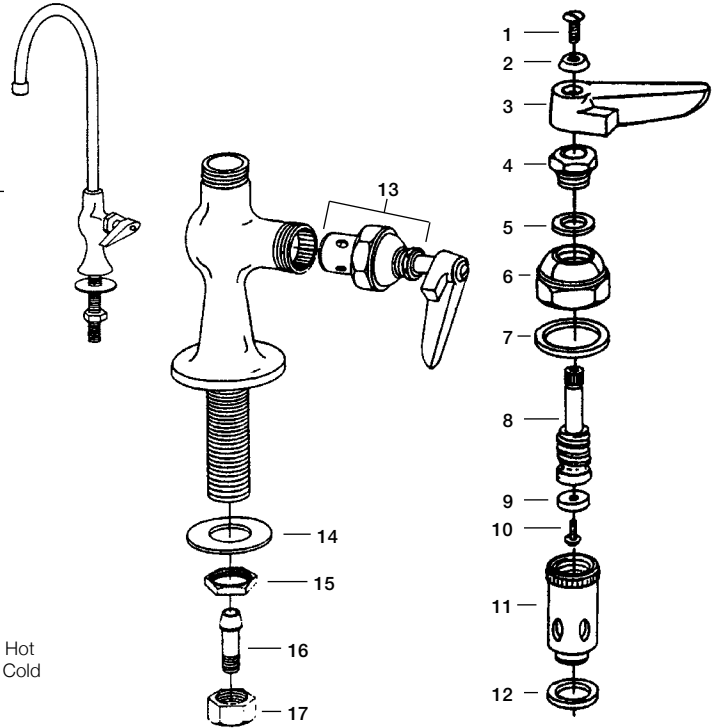
REPAIRS FOR

T&S

RIGID BASE FAUCET

Faucet Models B-275 thru B-277, B-305

Item No.	Stock No.	OEM Ref No.	Description
1	—	—	Handle Screw (10 per Pak)
2	—	140H	Index Button <i>Hot</i>
	—	141C	Index Button <i>Cold</i>
3	20181	—	(1) Pair Lever Handles
4	—	935PN	Packing Nut
5	35721B	—	Bonnet O-Ring
6	—	935BC	Bonnet Cap R.H. Hot & Cold
7	35580B	—	Cap Thread Gasket
8	—	—	Stem R.H. Hot
	—	—	Stem L.H. Cold
	16098E	—	Stem with Bonnet R.H. Hot
	16099E	—	Stem with Bonnet L.H. Cold
9	35063B	—	0 Flat Bibb Washer
10	35142B	—	Bibb Screw
11	17002E	937B	Barrel R.H. Hot
	17003E	938B	Barrel L.H. Cold
12	36169B	—	Barrel Gasket
13	—	—	Stem with Bonnet & Cap R.H. Hot
	—	—	Stem with Bonnet & Cap L.H. Cold
14	36476B	999-45	Basin Cock Washer
15	—	1801-20	Nut
16	—	1592-20	Tailpiece
17	—	958-20	Tailpiece Nut



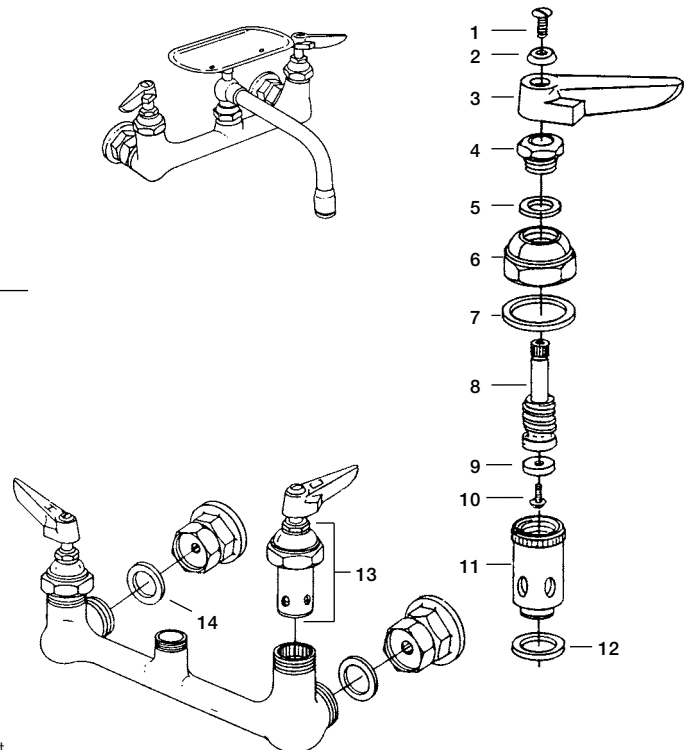
REPAIRS FOR

T&S

SWIVEL BASE FAUCET

Faucet Models B-230 thru B-233, B-234EE, B-265 thru B-267, B-311

Item No.	Stock No.	OEM Ref No.	Description
1	—	—	Handle Screw (10 per Pak)
2	—	140H	Index Button <i>Hot</i>
	—	141C	Index Button <i>Cold</i>
3	20181	—	(1) Pair Lever Handles
4	—	935PN	Packing Nut
5	35721B	—	Bonnet O-Ring
6	—	935BC	Bonnet Cap R.H. Hot & Cold
7	35580B	—	Cap Thread Gasket
8	—	—	Stem R.H. Hot
	—	—	Stem L.H. Cold
	16098E	—	Stem with Bonnet R.H. Hot
	16099E	—	Stem with Bonnet L.H. Cold
9	35063B	—	0 Flat Bibb Washer
10	35142B	—	Bibb Screw
11	17002E	937B	Barrel R.H. Hot
	17003E	938B	Barrel L.H. Cold
12	36169B	—	Barrel Gasket
13	—	—	Stem with Bonnet & Cap R.H. Hot
	—	—	Stem with Bonnet & Cap L.H. Cold
14	35582B	1019-45	Washer

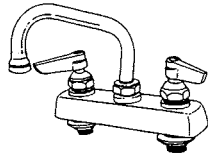


REPAIRS FOR

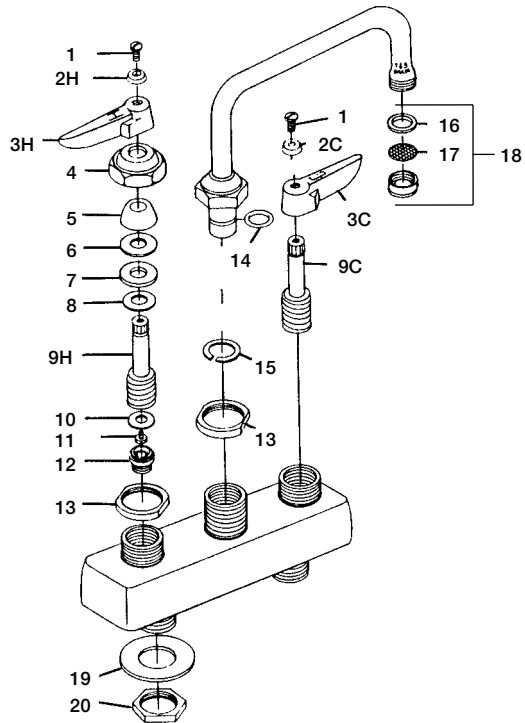
T&S

WORK BOARD FAUCET

Deck Mount Series B-1100



Item No.	Stock No.	OEM Ref No.	Description
1	—	922-45	Handle Screw (10 per Pak)
2H	—	1661-45	140H Index Button Hot
2C	—	1660-45	141C Index Button Cold
3H	—	1637-45	TS-1H-H Hot Handle
3C	—	1636-45	TS-1H-C Cold Handle
	20181	—	(1) Pair Lever Handles
4	—	599-25	Bonnet
5	35193B	1099-45	Bonnet Packing
6	—	2726-45	Washer <i>Stainless Steel</i>
7	35313B	1047-45	Washer
8	36615B	986-45	Top Bibb Friction Ring 2 Required
9H	—	800-25	Stem R.H. Hot
9C	—	801-25	Stem L.H. Cold
10	35063B	1092-45	0 Flat Bibb Washer
11	35142B	933-45	Bibb Screw
12	—	763-20	Bibb Seat (10 per Pak)
13	—	712-25	Locknut
14	35729B	1074-45	O-Ring
15	—	1028-45	Washer
16	—	1048-45	Washer (20 per Pak)
17	36190B	1323-45	Screen
18	36191B	863-25	Spout Retainer
19	36476B	999-45	Washer
20	—	1801-20	Nut

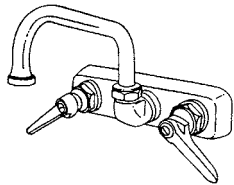


REPAIRS FOR

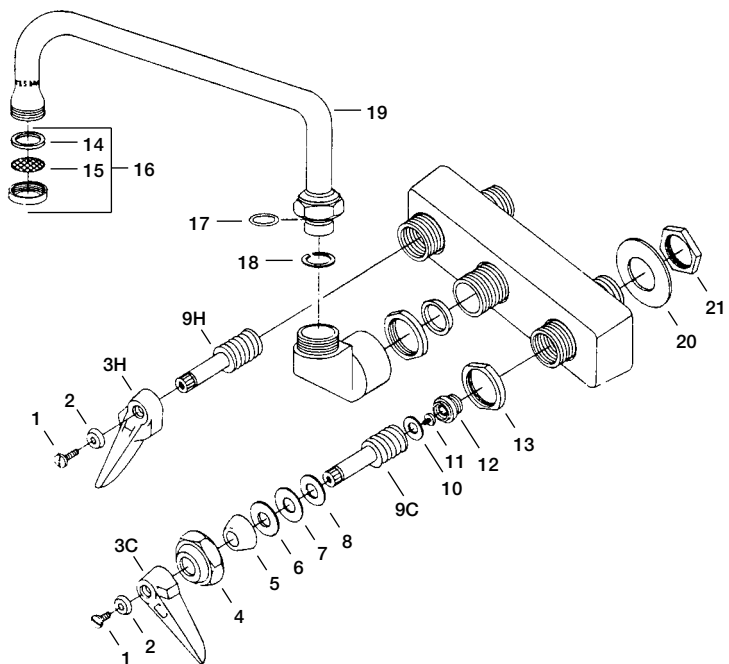
T&S

WORK BOARD FAUCET

Wall Mount Series B-1105



Item No.	Stock No.	OEM Ref No.	Description
1	—	922-45	Handle Screw (10 per Pak)
2H	—	1661-45	140H Index Button Hot
2C	—	1660-45	141C Index Button Cold
3	20181	—	(1) Pair Lever Handles
4	—	599-25	Bonnet
5	35193B	1099-45	Bonnet Packing
6	—	2726-45	Stainless Steel Washer
7	35313B	1047-45	Washer
8	36615B	986-45	Top Bibb Friction Ring
9H	—	800-25	Stem R.H. Hot
9C	—	801-25	Stem L.H. Cold
10	35063B	1092-45	0 Flat Bibb Washer
11	35142B	933-45	Bibb Screw
12	—	763-20	Bibb Seat (10 per Pak)
13	—	712-25	Locknut
14	—	1048-45	Washer (20 per Pak)
15	36190B	1323-45	Screen
16	36191B	863-25	Spout Retainer
17	35729B	1074-45	Spout O-Ring
18	—	1028-45	Spout Washer
19	—	2877-40	6" Spout
20	36476B	999-45	Washer
21	—	1801-20	Nut

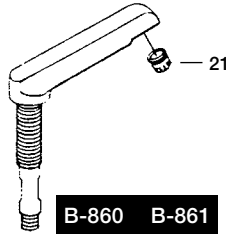


WIDESPREAD LAVATORY FAUCETS

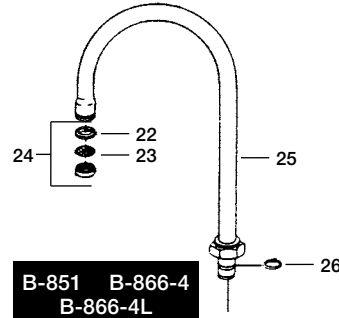
Models B-850, B-851, B-855, B-856, B-860, B-861, B-865-4, B-865-4L, B-866-4, B-866-4L, B-868-4, B-882, B-883, B-885



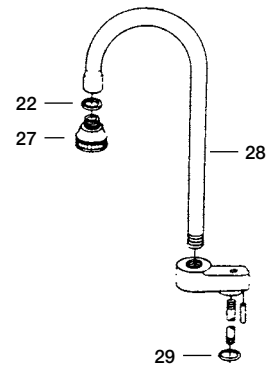
B-882



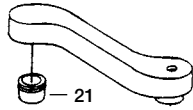
B-860 B-861



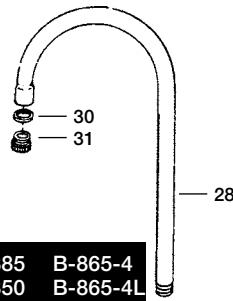
B-851 B-866-4
B-866-4L



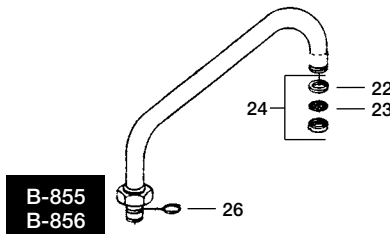
B-8608-4



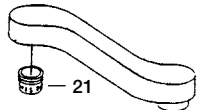
B-880



B-885 B-865-4
B-850 B-865-4L



B-855
B-856

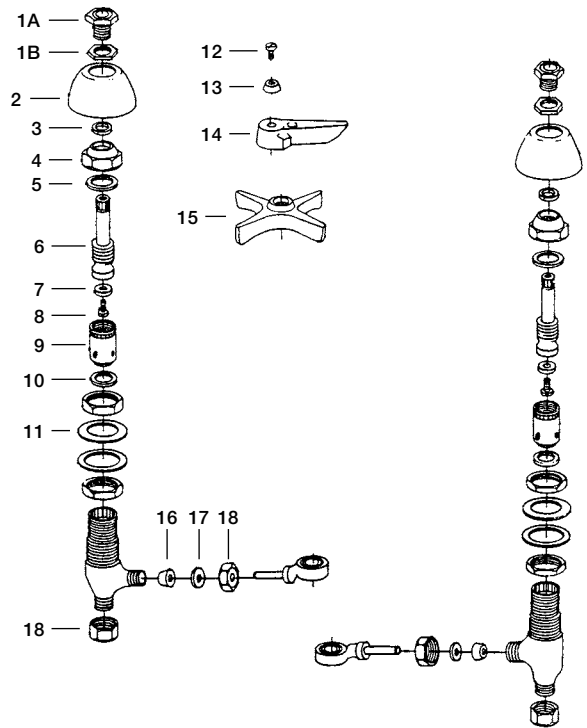


B-883

Internal Valve Replacement Parts

The T&S Lavatory Models listed above all use the same internal valve replacement parts. Model numbers vary according to difference in spout and handle styles.

Item No.	Stock No.	OEM Ref No.	Description
1A	—	725-25	Packing Nut
1B	—	726-25	Locknut
2	—	1257-45	Escutcheon
3	35721B	1098-45	Packing
4	—	607-40	Bonnet
5	35580B	2601-45	Cap Thread Gasket
6	—	811-25	Stem R.H. Hot
	—	812-25	Stem L.H. Cold
7	35063B	1092-45	O Flat Bibb Washer
8	35142B	933-45	Bibb Screw
9	17002E	788-20	Barrel R.H. Hot
	17003E	789-20	Barrel L.H. Cold
10	36169B	1022-45	Barrel Seat Gasket
11	—	2290-45	Washer
12	35644B	922-45	Handle Screw
13	—	1661-45	Index Button <i>Hot</i>
	—	1660-45	Index Button <i>Cold</i>
14	20181	—	(1) Pair Lever Handles
15	—	2521-45	(1) Pair Cross-Arm Handles
16	36585W	1091-45	Washer <i>Rubber (20 per Pak)</i>
17	36620B	981-45	Washer <i>Brass</i>
18	—	958-20	Tailpiece Nut
19	—	1018-45	Gasket
20	—	1011-45	Washer
21	10481	BO19903	15/16F Aerator
22	—	1048-45	Washer <i>(20 per Pak)</i>
23	36190B	1323-45	Screen
24	36191B	863-25	Spout Retainer
25	—	2981-41	Spout
26	35729B	1074-45	Spout O-Ring
27	—	2209-40	Spray Head
28	—	2980-40	Spout
29	35780B	1069-45	O-Ring
30	36169B	1043-45	Aerator Washer
31	—	861-25	Stream Regulator
32	—	329-40	Spout



REPAIRS FOR

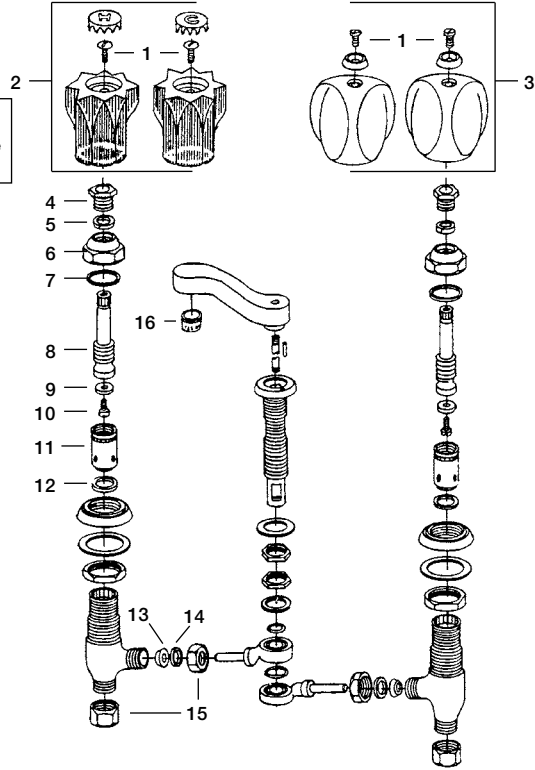
T&S

LAVATORY FAUCET

Models B-880-180F *Metal Canopy Handle*
 B-1880 *Acrylic Handle*

Replacement Handles
 Replacement Handles (2) (3) are different in appearance
 from the original T&S Handles illustrated here

Item No.	Stock No.	OEM Ref No.	Description
1	—	922-45	Handle Screw (10 per Pak)
2	—	1144-45	(1) Pair Replacement Handles <i>Acrylic</i>
3	—	1327-40	(1) Pair Replacement Handles <i>Metal</i>
4	—	725-25	Packing Nut
5	35193B	1098-45	Packing
6	—	607-45	Bonnet
7	35580B	2601-45	Bonnet Gasket
8	16096B	811-25	Spindle R.H.
9	35063B	1092-45	0 Flat Bibb Washer
10	35143B	933-45	Bibb Screw
11	17002E	788-20	Removable Insert
12	36169B	1022-45	Seat Gasket
13	36585W	1091-45	Washer <i>Rubber</i> (20 per Pak)
14	—	981-45	Washer <i>Brass</i>
15	—	958-20	Tailpiece Nut
16	10481	BO19903	15/16F Aerator



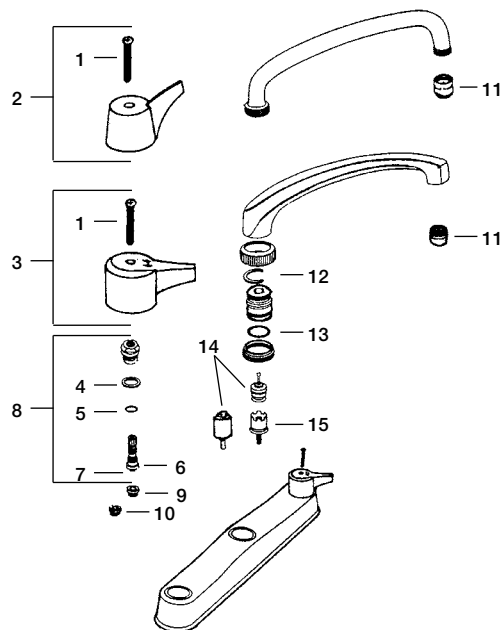
REPAIRS FOR

UNION BRASS (GOPHER)

KITCHEN FAUCET

Models 80-83A

Item No.	Stock No.	OEM Ref No.	Description
1	35654B	2427	Handle Screw
2	—	—	(1) Pair Handles
3	—	—	(1) Pair Handles
4	35564B	3717	Bonnet Washer
5	35725B	2205	O-Ring
6	35064B	3801	1/4 Flat Bibb Washer
7	—	2404	Bibb Screw
8	15333E	1837A	Stem with Bonnet R.H. Hot
	15334E	1837A	Stem with Bonnet L.H. Cold
9	—	2601	Bibb Seat
10	30067E	2632	Bibb Seat
11	10483	705	15/16M Aerator
12	35731B	2203	Swing Spout Ring
13	35731B	2203	Spout O-Ring
14	—	403-2	Spray Diverter (<i>Upper</i>)
	—	405-2	Spray Diverter (<i>Upper</i>)
15	—	405-LS	Spray Diverter (<i>Lower</i>)



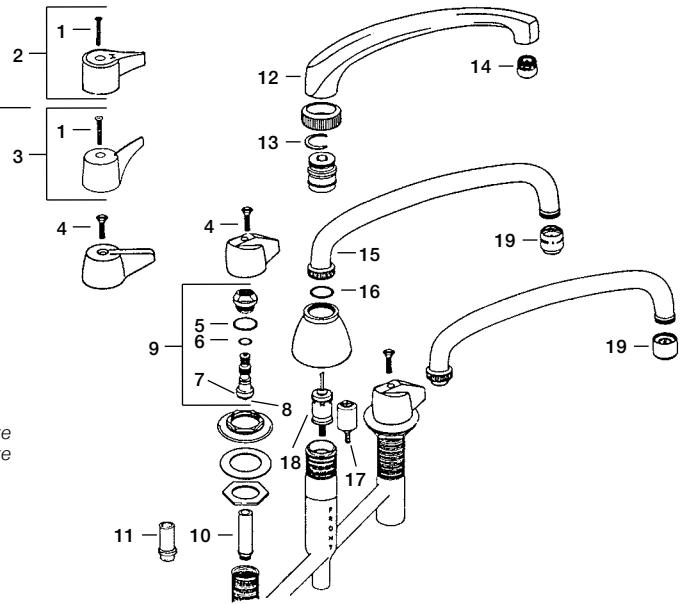
REPAIRS FOR

UNION BRASS (GOPHER)

CONCEALED LEDGE KITCHEN FAUCET

Series 50A to 53A, 60 to 63A

Item No.	Stock No.	OEM Ref No.	Description
1	35654B	2427	Handle Screw
2	—	—	(1) Pair Handles
3	—	—	(1) Pair Handles
4	35652B	2417	Handle Screw
5	35564B	3717	Bonnet Washer
6	35725B	2205	O-Ring
7	35064B	3801	1/4 Flat Bibb Washer
8	—	2404	Screw
9	15333E	1837A	Stem Assembly <i>Hot</i>
	15334E	1837A	Stem Assembly <i>Cold</i>
10	—	2605	Bibb Seat 50 Series <i>Mfd. 1958-1960</i>
	—	2606	Bibb Seat 60 Series <i>Mfd. 1958-1960</i>
11	—	2636	Bibb Seat 50 Series <i>Mfd. 1965-to date</i>
	—	2635	Bibb Seat 60 Series <i>Mfd. 1965-to date</i>
12	—	P-300	Cast Spout
13	—	3918	Horse Shoe Washers
14	—	705	Aerator
15	—	9063	Tube Spout for Faucet Less Spray
16	35731B	2203	Spout O-Ring
17	—	403	Diverter
18	—	405	Diverter (<i>Upper</i>)
	—	405	Diverter (<i>Lower</i>)
19	36440B	703	Aerator for Tube Spout



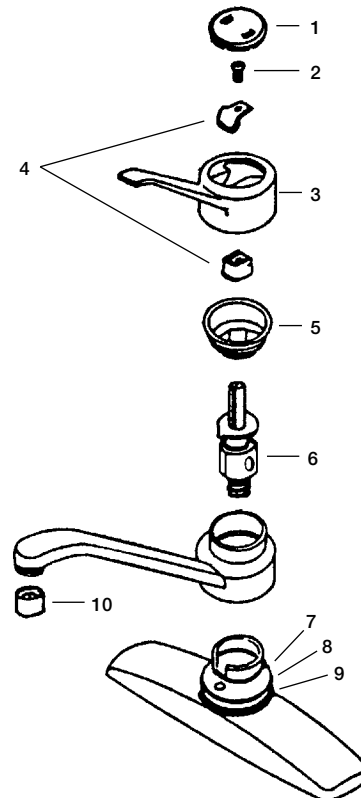
REPAIRS FOR

UNION BRASS (GOPHER)

KITCHEN FAUCET

Models 410, 411

Item No.	Stock No.	OEM Ref No.	Description
1	—	86534	Index Button
2	35646B	12477	Handle Screw
3	—	15101	Handle
4	—	974-690	Upper & Lower Yoke Assembly
5	—	86508	Retainer Ring
6	80550	86591	Cartridge
7	35753B	1-12266	Spout O-Ring
8	—	1-12267	Spout O-Ring
9	—	1-12268	Spout O-Ring
10	—	86512	15/16F Premium Aerator

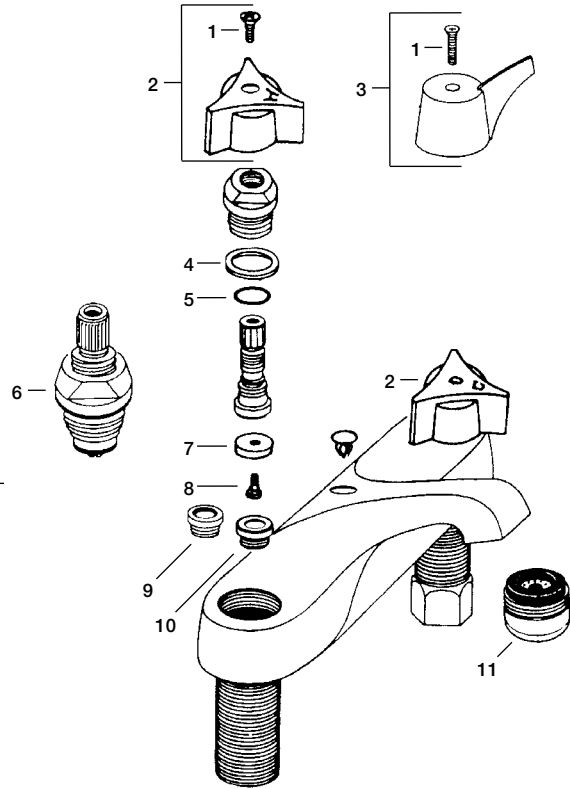


REPAIRS FOR

UNION BRASS (GOPHER)

LAVATORY FAUCET

Models 70, 71, 72



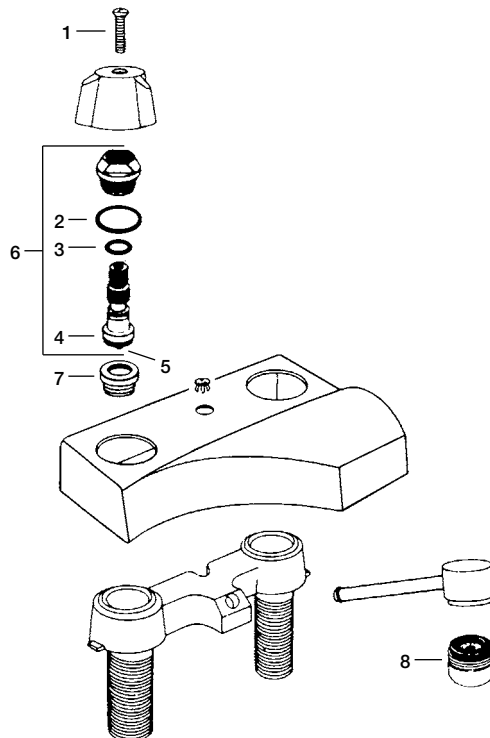
Item No.	Stock No.	OEM Ref No.	Description
1	35639B	2429	Handle Screw
2	88750	—	(1) Pair Handles <i>OEM Style</i>
3	—	—	(1) Pair Lever Handles
4	35564B	3717	Cap Thread Gasket
5	35725B	2205	O-Ring
6	15333E	1837A-H	Stem with Bonnet R.H. Hot
	15334E	1837A-C	Stem with Bonnet L.H. Cold
7	35064B	3801	1/4 Flat Bibb Washer
8	—	2404	Bibb Screw
9	—	2632	Bibb Seat for fixtures manufactured 1965 to present
10	—	2601	Bibb Seat for fixtures manufactured 1958 to 1964
11	10483	705	15/16M Aerator

REPAIRS FOR

UNION BRASS (GOPHER)

LAVATORY FAUCET

Series 74, 75



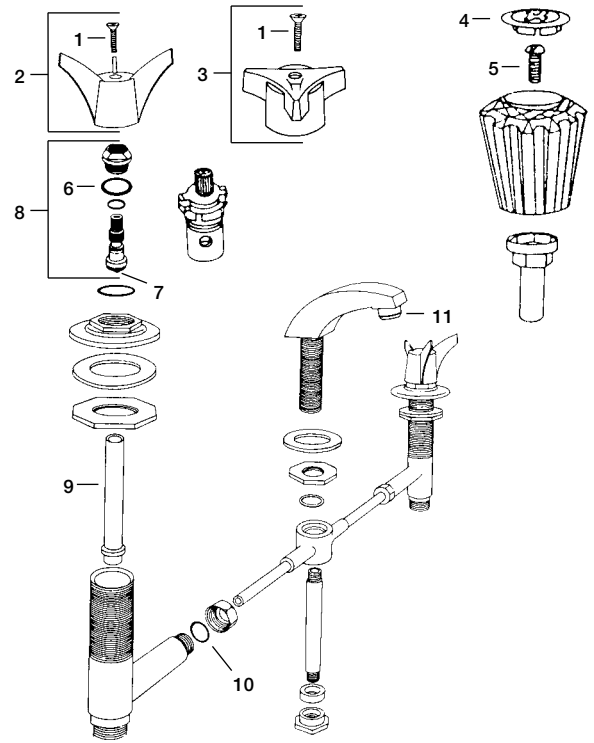
Item No.	Stock No.	OEM Ref No.	Description
1	35652B	2424	Handle Screw
2	35564B	3717	Bonnet Washer
3	35725B	2205	O-Ring
4	35064B	3801	1/4 Flat Bibb Washer
5	—	2404	Bibb Screw
6	15333E	1837A	Stem Assembly Hot or Cold
7	—	2632	Seat
8	10483	705	Aerator

REPAIRS FOR

UNION BRASS (GOPHER)

WIDESPREAD LAVATORY FAUCET

Series 800A



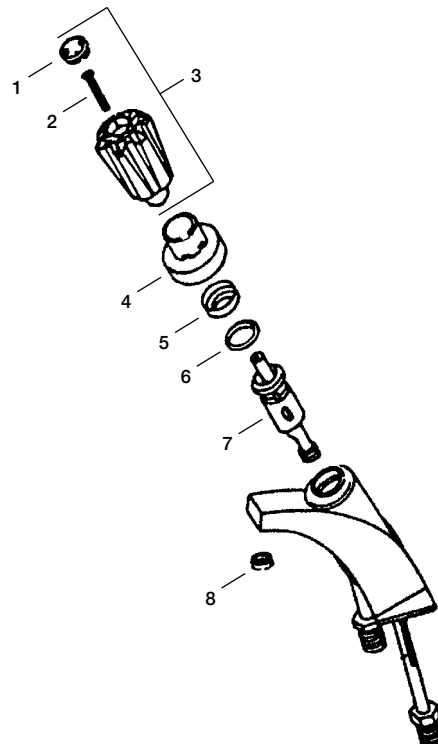
Item No.	Stock No.	OEM Ref No.	Description
1	35654B	2427	Handle Screw
2	—	—	(1) Pair Handles <i>Metal</i>
3	88752	—	(1) Pair Handles <i>Metal</i>
4	—	80877	Index Button <i>Hot</i>
	—	80878	Index Button <i>Cold</i>
5	—	2466	Handle Screw
6	35564B	3717	Bonnet Washer
7	—	2404	Bibb Screw
8	15333E	1837A-H	Stem with Bonnet R.H. Hot
	15334E	1837A-C	Stem with Bonnet L.H. Cold
9	—	2637	Seat
10	35725B	2205	O-Ring
11	10483	705	Aerator

REPAIRS FOR

UNION BRASS (GOPHER)

LAVATORY FAUCET

Models 414, 415, 815, 915



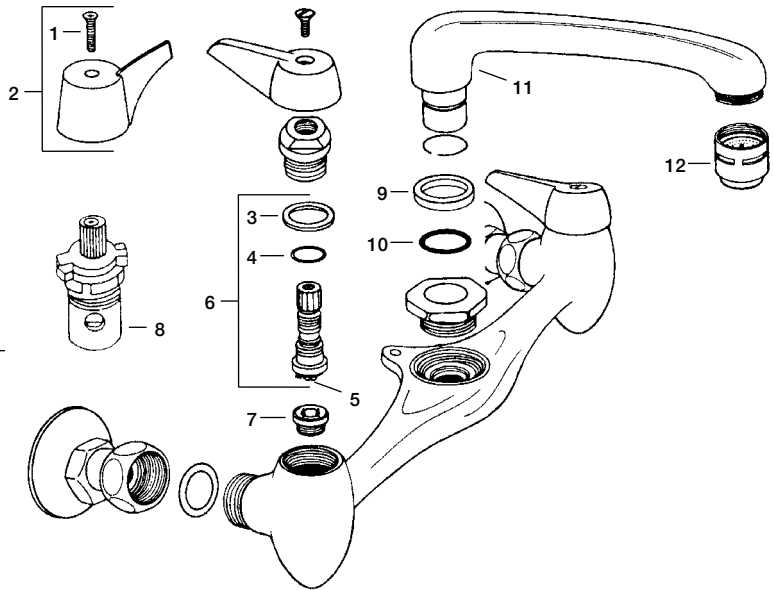
Item No.	Stock No.	OEM Ref No.	Description
1	—	86572	Index Button
2	—	2444	Handle Screw
3	—	86564	Handle
4	—	15205	Retaining Nut
5	—	10868	Retainer Sleeve
6	35736B	12272	O-Ring
7	80550	86591	Cartridge
8	—	86511	Aerator

REPAIRS FOR

UNION BRASS (GOPHER)

WALL MOUNT FAUCET

Series 20, 21, 22, 23, 24, 40, 41



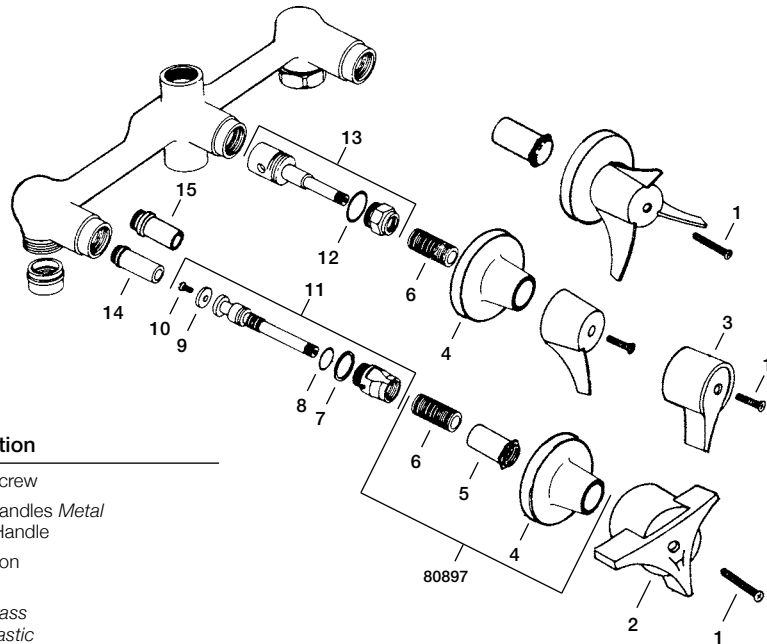
Item No.	Stock No.	OEM Ref No.	Description
1	35639B	2406	Handle Screw
2	—	—	(1) Pair Lever Handles
3	35564B	3717	Bonnet Washer
4	35725B	2205	O-Ring Stem Packing
5	35141B	2404	Bibb Screw
6	15333E 15334E	1837A 1837A	Hot Stem Unit Cold Stem Unit
7	—	2601	Re-Nu Seat Brass
8	—	86579	Stem Hot
	—	86580	Stem Cold
9	—	2215	Bushing
10	35729B	2209	Spout O-Ring
11	—	P-127	7-1/2" Spout
	—	2909	12" Spout
12	10489	703	Aerator

REPAIRS FOR

UNION BRASS (GOPHER)

TUB & SHOWER FIXTURE

Models 530, 531, 590, 591



Item No.	Stock No.	OEM Ref No.	Description
1	35654B	2427	Handle Screw
2	88752	—	(1) Pair Handles Metal
3	—	UG-19H-D	Diverter Handle
4	—	1130	Escutcheon
5	—	1709	Sleeve
6	—	1170	Nipple Brass
	—	1710	Nipple Plastic
80897	—	—	Flange & Tube Set (carded) Includes: Escutcheon, Nipple & Sleeve
7	35564B	—	Cap Thread Gasket
8	35725B	—	O-Ring
9	35064B	3801	1/4 Flat Bibb Washer
10	35142B	—	Bibb Screw
11	15363B	1844A	Stem with Bonnet RH Hot & Cold

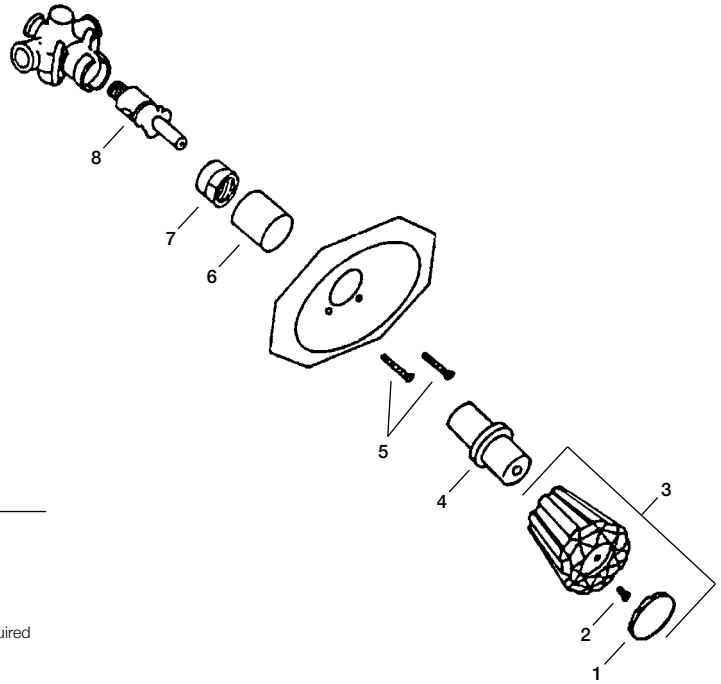
Item No.	Stock No.	OEM Ref No.	Description
12	35730B	—	O-Ring
13	15418B	1380	Stem with Bonnet Diverter
14	—	—	Bibb Seat
15	—	—	Bibb Seat

REPAIRS FOR

UNION BRASS (GOPHER)

TUB & SHOWER FIXTURE

Models 416, 417, 418, 426, 427, 816, 819



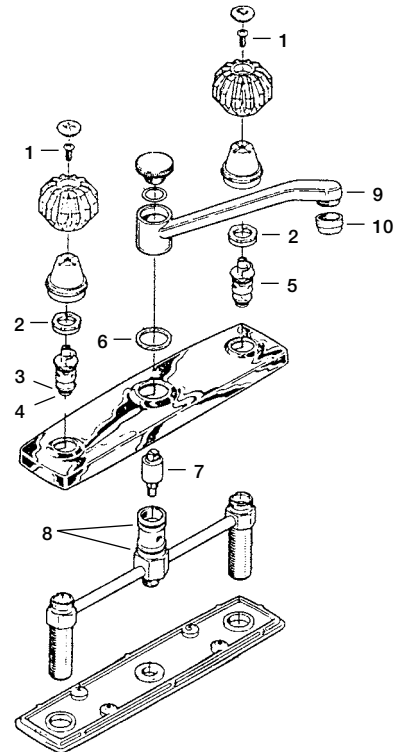
Item No.	Stock No.	OEM Ref No.	Description
1	—	86572	Handle Index Button
2	35639B	12475	Handle Screw
3	—	86565	Handle Assembly
4	—	15024	Handle Adapter
5	—	12476	Faceplate Screw 2 required
6	—	19770	Sleeve
7	—	1896	Collar
8	80550	86591	Cartridge

REPAIRS FOR

UNIVERSAL RUNDLE

KITCHEN FAUCET

Series 6384, 86384, 6385, 86385



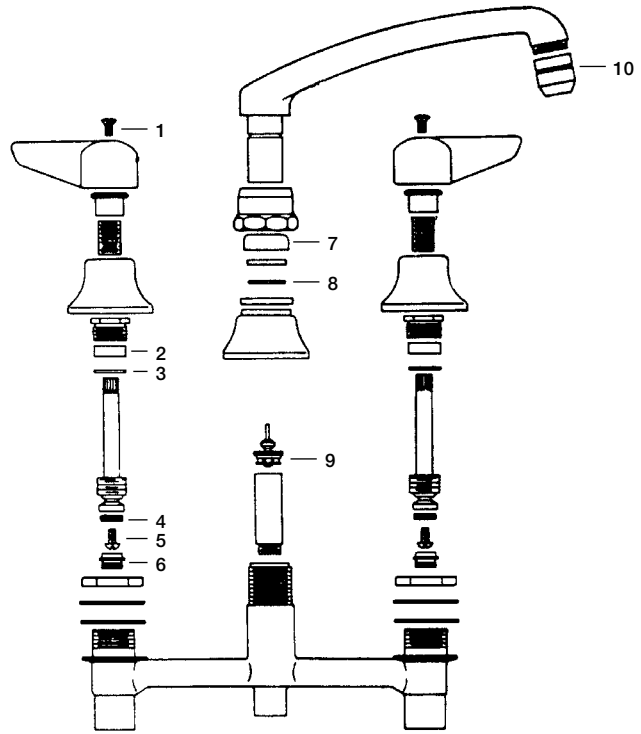
Item No.	Stock No.	OEM Ref No.	Description
1	—	P8636	Handle Screw
2	—	7983	Cap
3	—	—	Seal <i>Internal</i>
4	—	—	Spring <i>Internal</i>
5	88005	—	Seal and Spring (2 each)
6	17241B	7339	Cartridge Unit Hot or Cold
7	—	P7659	Slip Washer
8	—	P7521	Auto Spray Diverter
9	35776B	P7598	O-Ring 2 required
10	10486	8243	Spout
		P7252	Aerator

REPAIRS FOR

UNIVERSAL RUNDLE

KITCHEN FAUCET

Models 80310F, 80320



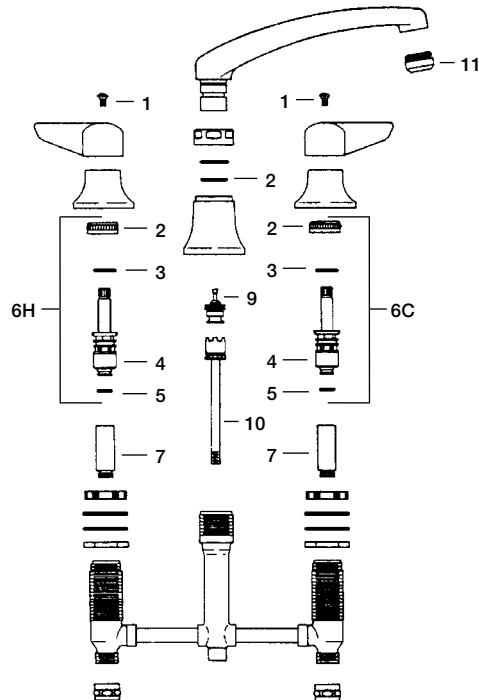
Item No.	Stock No.	OEM Ref No.	Description
1	35639B	R1	Handle Screw
2	36632B	R7	Bonnet Packing
3	36615B	R8	Top Bibb Ring
4	35063B	R10	O Flat Bibb Washer
5	—	R11	Bibb Screw
6	30023E	R12	Bibb Seat <i>Brass</i>
7	—	R47	Swing Spout Packing
8	—	—	Swing Spout Ring
9	—	R24	Spray Diverter
10	10483	R16	15/16F Aerator

REPAIRS FOR

UNIVERSAL RUNDLE

KITCHEN FAUCET

Model 82700-A



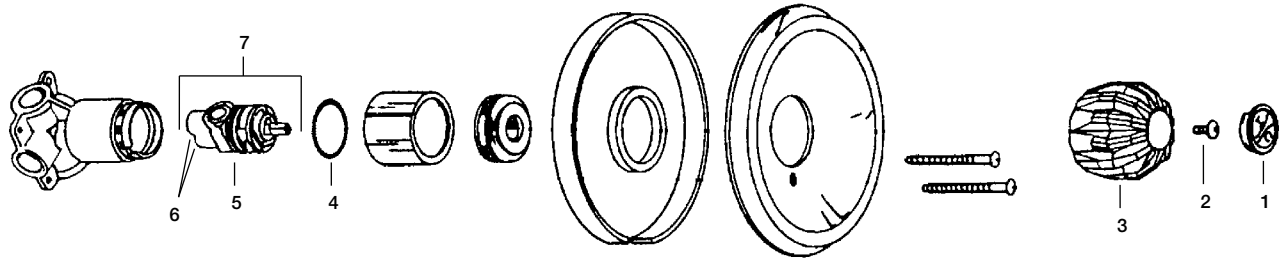
Item No.	Stock No.	OEM Ref No.	Description
1	35639B	P750	Handle Screw
2	—	P14002	Cap Nut Hot & Cold
3	35729B	P30613	O-Ring
4	15573B 15574B	U2057 U2058	Stem with Bonnet R.H. Hot Stem with Bonnet L.H. Cold
5	35724B	P30453	O-Ring
6H	—	—	Stem with Bonnet & Cap L.H. Cold
6C	—	—	Stem with Bonnet & Cap R.H. Hot
7	—	P31117	Bibb Seat (10 per Pak)
8	35731B	P13009	O-Ring
9	—	P1310-A	Spray Diverter (Upper)
10	—	P31081	Spray Diverter (Lower)
11	10483	P13012	15/16M Aerator

REPAIRS FOR

UNIVERSAL RUNDLE

TUB & SHOWER FIXTURE

Models 7102, 7103, 7104, 87102 *Chrome*
7108, 87108 *Antique Bronze*



Item No.	Stock No.	OEM Ref No.	Description
1	—	P8276	Handle Button
2	35644B	P8275	Handle Screw
3	31840	P8274	Handle
4	35717B	P8555	O-Ring
5	35716B	—	O-Ring
6	35715B	—	O-Ring 2 required
7	80959	R7000	Cartridge

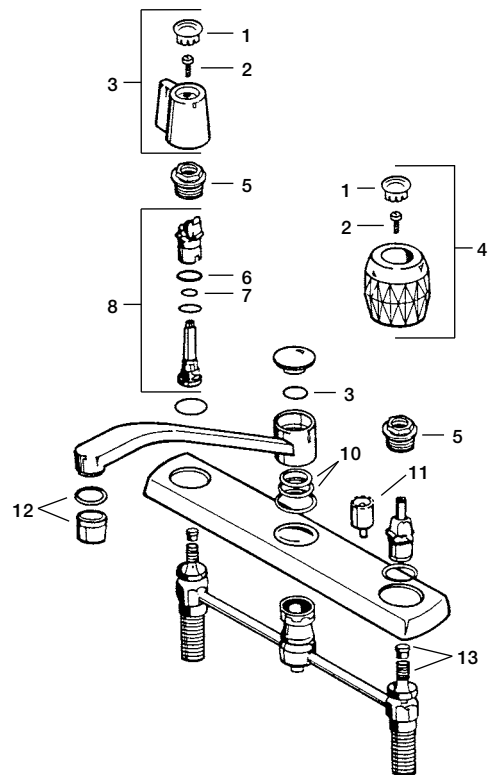
REPAIRS FOR

VALLEY

KITCHEN FAUCET

Series 103, 114, Valley II

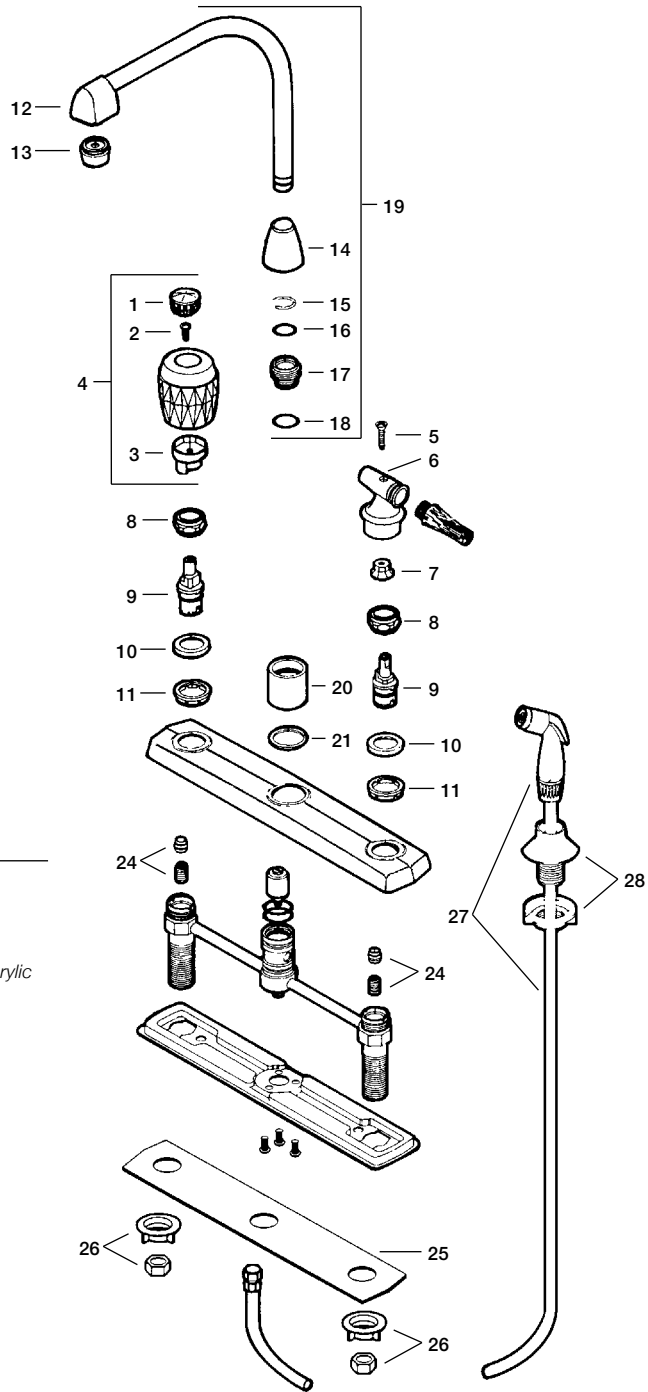
Item No.	Stock No.	OEM Ref No.	Description
1	—	V6888BG	Index Button <i>Hot</i>
	—	V6888BG	Index Button <i>Cold</i>
2	35647B	V7833	Handle Screw
3	—	—	(1) Pair Blade Handles
4	88304	—	(1) Pair Handles <i>Acrylic</i>
5	—	—	Bonnet Cap Hot & Cold
6	35784B	—	Cap Thread O-Ring
7	35725B	—	Stem O-Ring
8	17312B	V6804CD	Stem with Bonnet R.H. Hot & Cold
9	35746B	V1817	Spout Cap O-Ring
10	35776B	V1816	Spout O-Ring 2 required
11	—	V1819	Diverter
12	10481	—	15/16 Female Aerator
13	80686	V7059CD	Seals and Springs
	—	V7881	Handle Bushing <i>Not Illustrated</i>
	Stock No.	OEM Ref No.	Description
	124198	—	Stem Repair Kit
		<i>Contains:</i>	(1) 35784 O-Ring (1) 35725 O-Ring (1) 35721 O-Ring (1) 31510 Seat (1) 31511 Spring



VALLEY

KITCHEN FAUCET

Series *Hi-Style* TC1030, TC1140
Duet TDB1730, TDB1740
Valleycrest TDX1030, TDX1140



Item No.	Stock No.	OEM Ref No.	Description
1	—	V6888CD	Handle Button <i>Hot</i>
	—	V6888CD	Handle Button <i>Cold</i>
2	35646B	V7833	Handle Screws
3	—	V7881	Handle Bushing
4	88304	V6859	(1) Pair <i>Starfire</i> Handles Assemblies <i>Acrylic</i>
5	—	V3966	Handle Screws <i>Chrome</i>
6	—	V3965	Handle Adapter <i>Chrome</i>
	—	V39654	Handle Adapter <i>Polished Brass</i>
	—	V39664	Handle Screws <i>Polished Brass</i>
7	—	V3955	Stem Adapter (<i>Yellow</i>) <i>Hot</i>
	—	V3971	Stem Adapter (<i>Green</i>) <i>Cold</i>
8	—	V1814CD	Bonnet Nut
9	17312B	V6804CD	Stem Assembly
10	—	V3972	Escutcheon
11	—	V7835	Spacer
12	—	V2019	Spout Only
13	10478	V31014	Aerator <i>Polished Brass</i>
14	—	V2013	Bonnet <i>Chrome</i>
	—	V20134	Bonnet <i>Polished Brass</i>
15	—	V2015	Retainer Ring
16	35726B	V2022	Spout O-Ring
17	—	V2014	Spout Adapter
18	35746B	V1817	Spout O-Ring
19	—	V2028	Spout Assembly <i>Chrome</i>
	—	V20287	Spout Assembly <i>Chrome/Polished Brass</i>
20	—	V2010	Spout Hub
21	—	V1809	Bearing Hub
22	—	V1819	Diverter
23	—	V1816	Spout O-Ring
24	80686	V7059CD	Seals and Springs
25	—	V1810	Gasket
26	—	V6809	Parts Bag
27	80762	V7714	Spray Hose & Head Assembly <i>Black</i>
28	86948	V7715	Spray Hose Guide <i>Chrome</i>

Stock No.	OEM Ref No.	Description
124198	—	Stem Repair Kit
	<i>Contains:</i>	(1) 35784 O-Ring
		(1) 35725 O-Ring
		(1) 35721 O-Ring
		(1) 31510 Seat
		(1) 31511 Spring

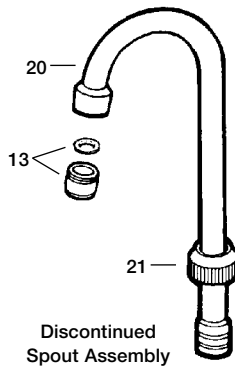
VALLEY

BAR FAUCET

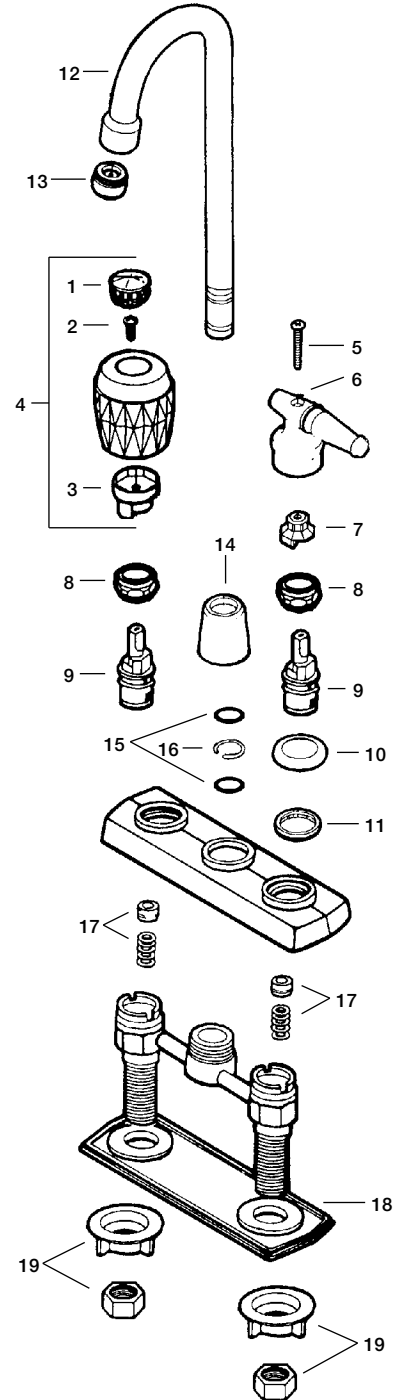
Series *Valley II* TC600, TC604, TC606

Duet TDB607

Valleycrest TDX600, TDX604, TDX606



Discontinued Spout Assembly



Item No.	Stock No.	OEM Ref No.	Description
1	—	V6888CD	Handle Button <i>Hot</i>
	—	V6888CD	Handle Button <i>Cold</i>
2	35646B	V7833	Handle Screw
3	—	V7881	Handle Bushing
4	88304	V6859	(1) Pair <i>Starfire</i> Handles Assemblies <i>Acrylic</i>
	—	V68596	(1) Pair Handles Assemblies <i>Smoke Acrylic/Antique Brass</i>
5	—	V3966	Handle Screw <i>Chrome</i>
6	—	V3965	Handle Adapter <i>Chrome</i>
	—	V3965	Handle Adapter <i>Polished Brass</i>
	—	V3965	Handle Adapter <i>Antique Brass</i>
7	—	V3955	Stem Adapter (<i>Yellow</i>) <i>Hot</i>
	—	V3971	Stem Adapter (<i>Green</i>) <i>Cold</i>
8	—	V1814CD	Handle Bonnet for <i>Chrome & Antique Brass</i>
9	17312B	V6804CD	Stem Assembly
10	—	V3972	Spacer Escutcheon <i>Chrome</i>
	—	V39724	Spacer Escutcheon <i>Polished Brass</i>
	—	V39726	Spacer Escutcheon <i>Antique Brass</i>
11	—	V7835	Spacer
12	—	V2052	Bar Spout <i>Chrome</i>
	—	V20524	Bar Spout <i>Polished Brass</i>
	—	V20526	Bar Spout <i>Antique Brass</i>
13	10478	V31014	Aerator <i>Polished Brass</i>
	—	V31016	Aerator <i>Antique Brass</i>
14	—	V2055	Spout Bonnet <i>Chrome</i>
	—	V20554	Spout Bonnet <i>Polished Brass</i>
	—	V20556	Spout Bonnet <i>Antique Brass</i>
15	35728B	V1854	Spout O-Ring
16	—	V1855	Retainer Ring
17	80686	V7059CD	Seals and Springs
18	—	V1852	Undercover Plate
19	—	V6809	Parts Bag
20	—	V1860	Bar Spout <i>Chrome</i>
	—	V18604	Bar Spout <i>Polished Brass</i>
	—	V18606	Bar Spout <i>Antique Brass</i>
21	—	V1864	Spout Bonnet <i>Chrome</i>
	—	V18644	Spout Bonnet <i>Polished Brass</i>
	—	V18646	Spout Bonnet <i>Antique Brass</i>

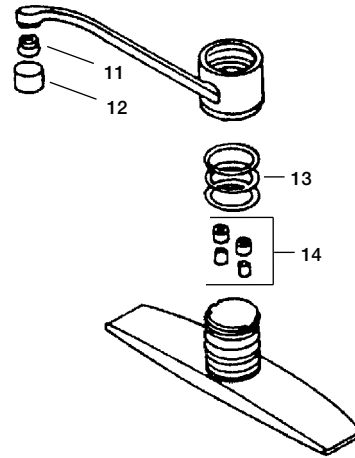
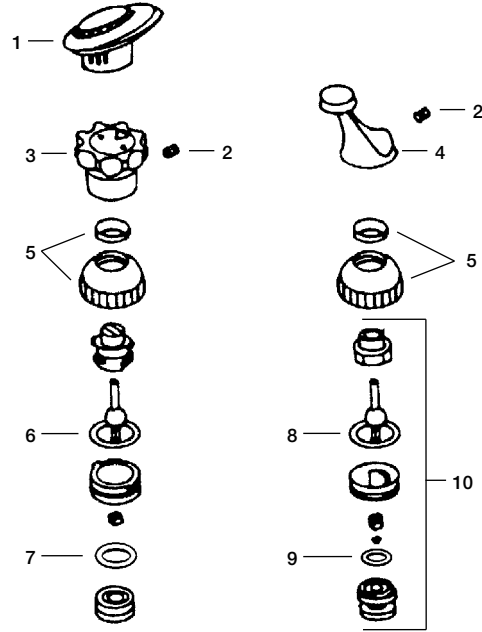
Stock No.	OEM Ref No.	Description
124198	—	Stem Repair Kit
	<i>Contains:</i>	(1) 35784 O-Ring
		(1) 35725 O-Ring
		(1) 35721 O-Ring
		(1) 31510 Seat
		(1) 31511 Spring

VALLEY

KITCHEN FAUCET

Series 100, 103, 200, 500 (prior to October 1996)

Discontinued Models L1148/9, L1038/9, L1338/9, L2038/9, L2338/9, 2638/9, L1518/9, L1628/9, L2148/9, L2448/9



Item No.	Stock No.	OEM Ref No.	Description
1	88379	V6679CD	Star Burst Handle <i>Silver Acrylic</i>
	—	BSB170	Star Burst Handle <i>Smoke Acrylic</i>
2	—	R719	Set Screw
3	—	V6639	Knob Handle (R322) use Star Burst Handle V-6679CD or BSB-170
4	—	V1165CD	Lever Handle (R-150)
5	—	V6633CD	Bonnet with Adjusting Ring (R-760, S-710)
6	35770B	—	Retainer O-Ring (R-630) <i>Old Style</i>
7	35771B	—	Control Plate O-Ring (R-630) <i>Old Style</i>
8	35739B	—	Retainer O-Ring
9	35731B	—	Control Plate O-Ring
10	80978	V6680	Control Assembly for Knob & Lever Handle Fixtures (R-680)
	—	R630	Control Assembly (Use V-6680)
	—	R680	Control Assembly (Use V-6680)
11	—	—	Spray Diverter
12	10481	—	15/16 Female Aerator
13	35752B	V1112CD	Spout O-Ring
14	80686	V7700/01	Seal & Spring (R-700-1)
	80762	V7714	Spray Hose & Head Assembly <i>Black Not Illustrated</i>
	—	V6643	IPS Fittings Parts Bag <i>Not Illustrated</i>

Stock No.	OEM Ref No.	Description
80688	—	Stem Repair Kit
	Contains:	(3) 35752 O-Rings (1) 35731 O-Ring (1) 35739 O-Ring (2) 31503 Seal & Spring Assemblies (R-700-1) (1) 30765 Hex Key

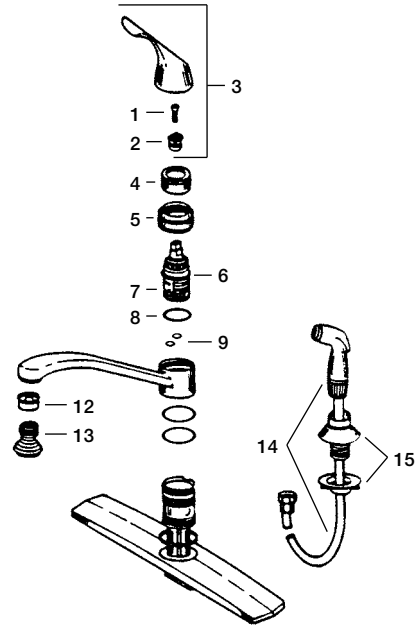
REPAIRS FOR

VALLEY

KITCHEN FAUCET

Series *Hi-Style*, NL1030IPS, NL1140IPS (after October 1986)
 Current Models NL11489/9 with Hose Spray, NL1038/9 without Hose & Spray
 NL1338/9, NL2638/9, NL1628/9, NL1518/9, NL2148/9

Item No.	Stock No.	OEM Ref No.	Description
1	—	VP1780	Lever Handle Adapter Screw
2	—	VP1963	Lever Handle Adapter
3	—	VP1989	Lever Handle Assembly
4	—	VP1713	Bonnet Lock Ring
5	—	VP1712	Bonnet Nut <i>Chrome Plated</i>
6	35737B	—	#20 O-Ring
7	88197 88198	VP1964 VP1965	Control Cartridge Non-Diverter Control Cartridge Diverter
8	35743B	VP1956	O-Ring for Diverter Control
9	—	VP1952	Port Seal Ring 2 required
10	35739B	VP1987	Spout O-Ring 2 required
11	—	VP1910	Bearing Hub
12	10481	V7068	15/16 Female Aerator
13	10501	V7001	Swivel Spray
14	80762	V7714	Spray Hose & Head Assembly <i>Black</i>
15	86948	V7715	Spray Hose Guide <i>Chrome</i>



Stock No.	OEM Ref No.	Description
88117	—	Faucet Repair Kit
	<i>Contains:</i>	(2) 31431 Port Seal Rings (2) 35739 Spout O-Rings

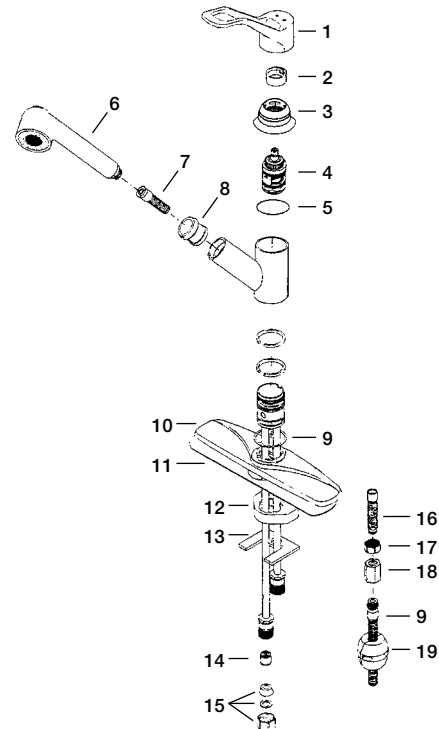
REPAIRS FOR

VALLEY

KITCHEN PULL-OUT FAUCET

Series Y11218

Item No.	Stock No.	OEM Ref No.	Description
1	—	V8105BG1	Loop Handle Assembly
2	—	VP1713	Lock Ring
3	—	V1468	Bonnet Nut
4	—	V5078	Control Cartridge
5	35743B	VP1956	O-Ring
6	10408 10415 —	V1451 V1451-14 V1451-15	Hand Spray <i>Chrome</i> Hand Spray <i>White</i> Hand Spray <i>Almond</i>
7	10339	V1452	Flexible Hose
8	—	V1444	Hand Spray Holder
9	—	V1456	Thrust Bearing
10	—	V1440	Cover Plate
11	—	V8225	Gasket
12	—	V1453	Support Block
13	—	V1450	Mounting Washer
14	—	V1429	Check Valve
15	—	V1457	IPS Parts Bag
16	35723B	V4850	O-Ring
17	—	NUT 1076S	Mounting Nut
18	—	V1446	Hose Adapter
19	—	V1431	Hose Weight



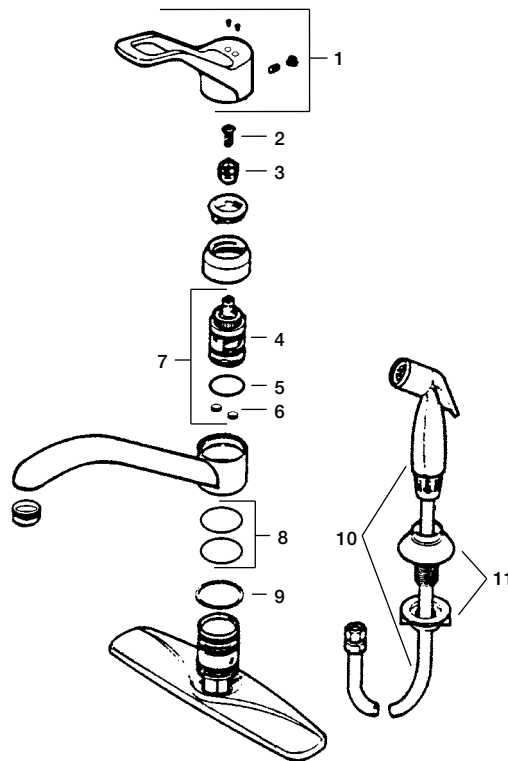
REPAIRS FOR

VALLEY

KITCHEN FAUCET

Series Loop Handle Y11345, Y11645

Item No.	Stock No.	OEM Ref No.	Description
1	—	V8105	Handle Assembly with Set Screw
2	—	VP1780	Handle Screw for Models with Metal Stem
3	—	VP1963	Handle Adapter
4	35737B	—	O-Ring
5	35743B	VP1956	Cartridge O-Ring for Diverter Models
6	—	VP1952	Port Seal Ring 2 Required
7	88197 88189	VP1964 VP1965	Control Cartridge Non-Diverter Control Cartridge Diverter
8	35739B	VP1987	Spout O-Ring
9	—	VP1987	Bearing
10	80762	V7714	Spray Hose & Head Assembly <i>Black</i>
11	86948	V7715	Spray Hose Guide <i>Chrome</i>
	—	V6643	Nut for IPS Fittings <i>Not Illustrated</i>
Stock No.	OEM Ref No.	Description	
88117	—	Faucet Repair Kit	
	<i>Contains:</i>	(2) 31431 Port Seal Rings (2) 35739 Spout O-Rings	



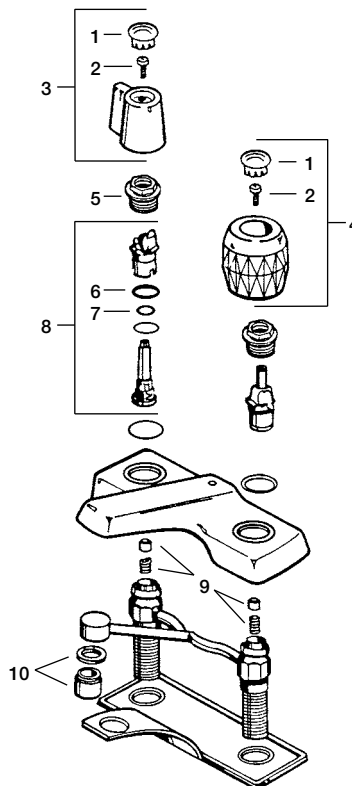
REPAIRS FOR

VALLEY

LAVATORY FAUCET

Series 300 thru 330, 734, 736, 800 thru 830

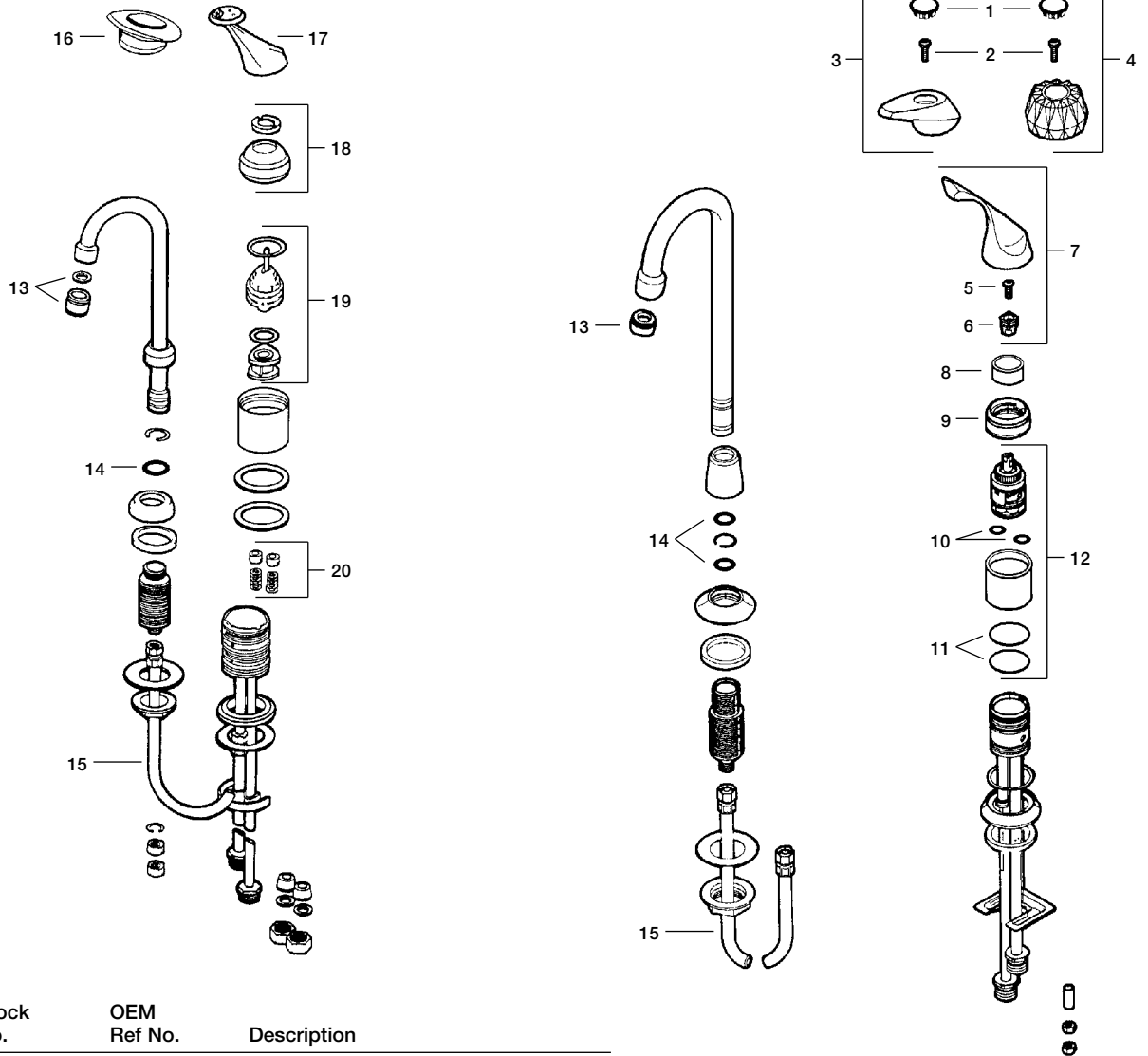
Item No.	Stock No.	OEM Ref No.	Description
1	—	V6888CD	Index Button <i>Hot</i>
	—	V6888CD	Index Button <i>Cold</i>
2	35647B	V7833	Handle Screw
3	—	—	(1) Pair Handles <i>Chrome Plated</i>
4	88304	V6859	(1) Pair Handles <i>Acrylic</i>
5	—	—	Bonnet Cap Hot or Cold
6	35784B	—	Cap Thread O-Ring
7	35725B	—	Stem O-Ring
8	17312B	V6804CD	Stem with Bonnet R.H. Hot & Cold
9	80686	V7059CD	Seal & Spring
10	10483	—	15/16 Male Aerator
	—	—	IPS Fittings Parts Bag <i>Not Illustrated</i>
	73113B	—	Supply Nut <i>Not Illustrated</i>
Stock No.	OEM Ref No.	Description	
124198	—	Stem Repair Kit	
	<i>Contains:</i>	(1) 35784 O-Ring (1) 35725 O-Ring (1) 35721 O-Ring (1) 31510 Seat (1) 31511 Spring	



VALLEY

BAR FAUCET

Series A600, A604, A605, L600, L604, L606



Item No.	Stock No.	OEM Ref No.	Description
1	—	V6904	Handle Button <i>Chrome</i>
2	35646B	V7810	Handle Screw
3	88743	V5002BG1	Teardrop Handle Assembly <i>Acrylic/Chrome</i>
4	88742	V5001BG1	Knob Handle Assembly <i>Acrylic/Chrome</i>
5	—	VP1780	Handle Adapter Screw (10 per Pak)
6	—	VP1963	Handle Adapter
7	—	VP19889BG1	Lever Handle Assembly <i>Chrome</i>
8	—	VP1713	Bonnet Lock Ring
9	—	VP1712	Bonnet Nut <i>Chrome</i>
10	—	VP1952	Port Seal Rings
11	35739B	VP1987	O-Rings
12	88197	VP1964CD	Control Cartridge Assembly
13	10478	V31014	Aerator <i>Polished Brass</i>
	—	V31016	Aerator <i>Antique Brass</i>
14	35728B	V1854	O-Ring
15	—	V3835	Crossover Hose
16	88379	V6679CD	Lever Handle <i>Acrylic/Chrome</i>
	—	V66396	Lever Handle <i>Smoked Acrylic/Antique Brass</i>
17	—	V1165CD	Lever Handle <i>Chrome</i>
18	—	V6633CD	Bonnet Assembly <i>Chrome</i>
	—	V6633CD	Bonnet Assembly
19	80978	V6680CD	Control Cartridge Assembly
20	80686	V7059CD	Seal & Spring

Stock No.	OEM Ref No.	Description
80688	—	Stem Repair Kit
Contains:		(3) 35752 O-Rings
		(1) 35731 O-Ring
		(1) 35739 O-Ring
		(2) 31503 Seal & Spring Assemblies
		(1) 30765 Hex Key

REPAIRS FOR

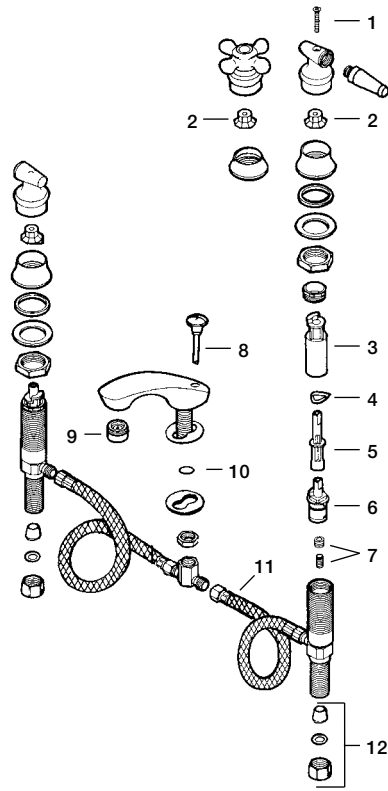
VALLEY

MINI-WIDESPREAD LAVATORY FAUCETS

Series *Duet* TDMB737

Valleycrest TDMX830, TDMX734, TDMX736

Item No.	Stock No.	OEM Ref No.	Description
1	—	V3966	Handle Screw <i>Chrome</i>
2	—	V3955	Stem Adapter (Yellow) <i>Hot</i>
	—	V3971	Stem Adapter (Green) <i>Cold</i>
3	—	V3759	Stop Extension
4	—	V3757	Wave Washer
5	—	V3760	Stem Extension
6	17312B	V6804CD	Stem Assembly
7	80686	V7059CD	Seal & Spring Repair Kit
8	88961	V6805	Lift Rod <i>Chrome</i>
9	10478	V31014	Aerator <i>Polished Brass</i>
	—	V31016	Aerator <i>Antique Brass</i>
10	35742B	V4213	Spout Post O-Ring
11	—	V3835	Crossover Hose
12	—	V6643	IPS Parts Bag



REPAIRS FOR

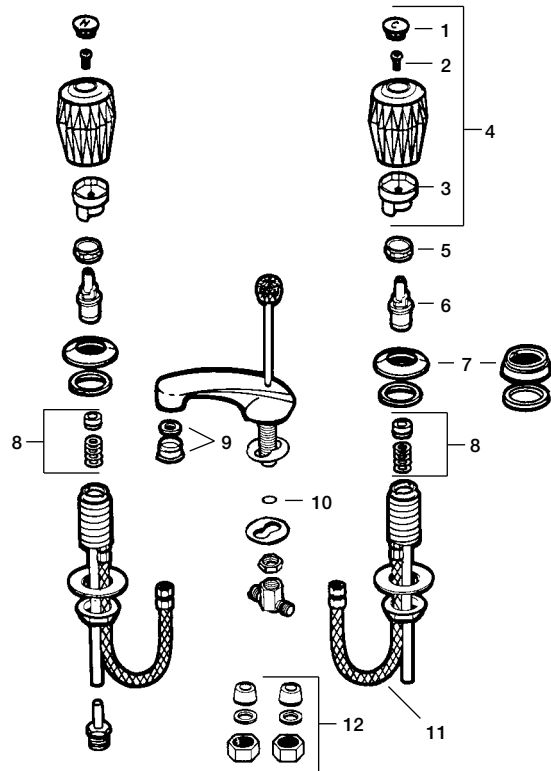
VALLEY

WIDESPREAD LAVATORY FAUCET

Series *Valley II* TW805, TW704, TW706, TW830, TW734, TW736

Item No.	Stock No.	OEM Ref No.	Description
1	—	V6888CD	Handle Button <i>Hot</i>
	—	V6888CD	Handle Button <i>Cold</i>
2	35646B	V7833	Handle Screw
3	—	V7881	Handle Bushing
4	—	V7859	(1) Pair Handles <i>Clear Acrylic</i>
5	—	V1814CD	(2) Bonnets for <i>Chrome & Antique Brass</i>
6	17312B	V6804CD	Stem Assembly
7	—	V3957	Escutcheon <i>Chrome</i>
8	80686	V7059CD	Seal & Spring Repair Kit
9	10478	V31014	Aerator <i>Polished Brass</i>
	—	V31016	Aerator <i>Antique Brass</i>
10	35742B	V4213	Spout Post O-Ring
11	—	V3835	Crossover Hose
12	—	V6643	IPS Fittings Parts Bag

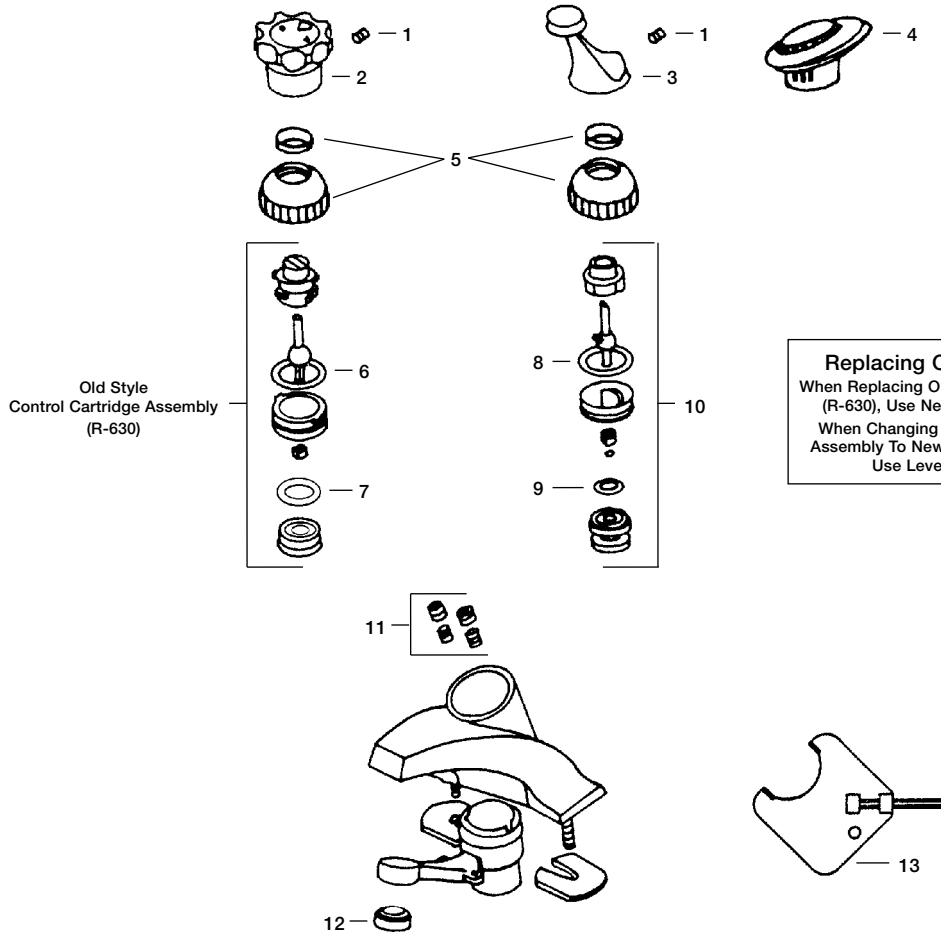
Stock No.	OEM Ref No.	Description
124198	—	Stem Repair Kit
		<i>Contains:</i>
		(1) 35784 O-Ring
		(1) 35725 O-Ring
		(1) 35721 O-Ring
		(1) 31510 Seat
		(1) 31511 Spring



VALLEY

LAVATORY FAUCET

Series 300, 800, 805, 820, 825, 830 (prior to October 1986)



Item No.	Stock No.	OEM Ref No.	Description
1	—	R719	Handle Set Screw
2	—	V6639	Knob Handle (R322) (Use Starburst Handle V66396, V6679CD)
3	—	V1165	Lever Handle (R150)
4	88379	V6679CD	Star Burst Handle <i>Silver Acrylic</i>
	—	V66396	Star Burst Handle <i>Smoke Acrylic</i>
5	—	V6633	Bonnet with Adjusting Ring (R760, S710)
6	35770B	—	Retainer O-Ring (R630) <i>Old Style</i>
7	35771B	VP1956	Control Plate O-Ring (R630) <i>Old Style</i>
8	35739B	VP1987	Retainer O-Ring
9	35731B	—	Control Plate O-Ring
10	80978	V6680	Control Assembly for Knob & Lever Handle Fixtures (R680)
	—	R630	Control Assembly (Use V6680)
	—	R680	Control Assembly (Use V6680)
11	80686	V7700/01	Seal & Spring (R700-1)
12	10483	—	15/16 Male Aerator <i>Chrome Plated</i>
	10478	V31014	15/16 Dual Thread Aerator <i>Polished Brass</i>
	—	V31016	15/16 Dual Thread Aerator <i>Antique Brass</i>
13	—	—	Assembly Wrench
	—	V6643	IPS Fittings Parts Bag <i>Not Illustrated</i>

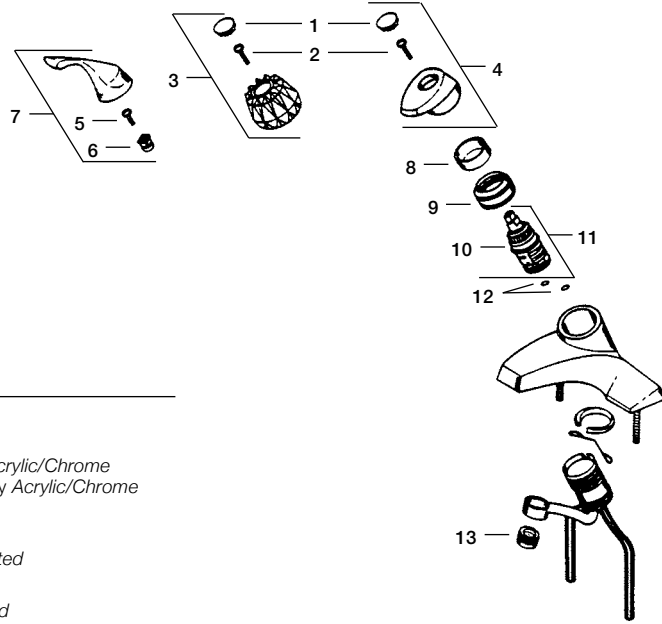
Stock No.	OEM Ref No.	Description
80688	—	Stem Repair Kit
	<i>Contains:</i>	(3) 35752 O-Rings (1) 35731 O-Ring (1) 35739 O-Ring (2) 31503 Seal & Spring Assemblies (1) 30765 Hex Key

REPAIRS FOR

VALLEY

LAVATORY FAUCET

Series 734, 736, 805, 830 (after October 1986)



Item No.	Stock No.	OEM Ref No.	Description
1	—	V6904	Handle Button
2	—	V7810	Handle Screw
3	88742	V5001	Knob Handle Assembly <i>Acrylic/Chrome</i>
4	88743	V5002	Teardrop Handle Assembly <i>Acrylic/Chrome</i>
5	—	VP1780	Handle Adapter Screw
6	—	VP1963	Handle Adapter
7	—	VP1905	Lever Handle <i>Chrome Plated</i>
8	—	VP1713	Bonnet Lock Ring
9	—	VP1712	Bonnet Nut <i>Chrome Plated</i>
10	35737B	—	Cartridge O-Ring
11	88197	VP1964	Control Cartridge Assembly
12	—	VP1952	Port Seal Ring 2 Required
13	10483	—	15/16 Male Aerator <i>Chrome Plated</i>
	10478	V31014	15/16 Dual Thread Aerator <i>Polished Brass</i>
	—	V31016	15/16 Dual Thread Aerator <i>Antique Brass</i>

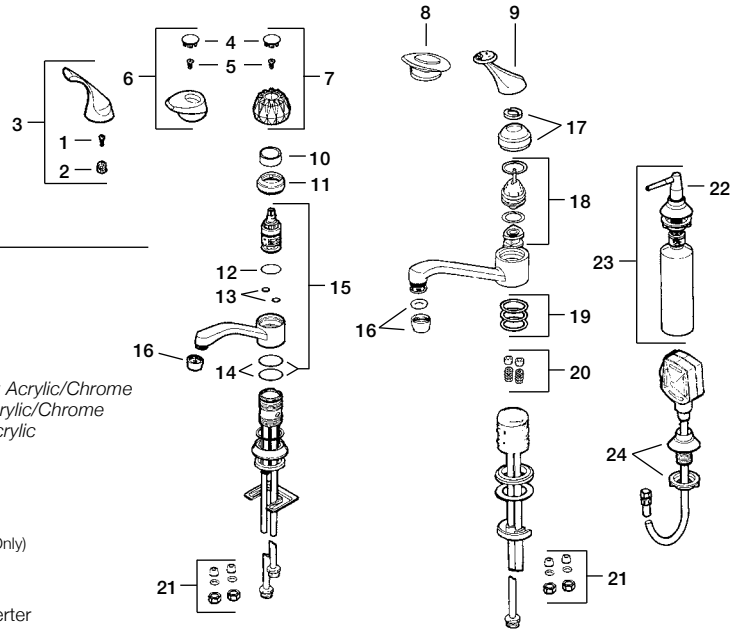
Stock No.	OEM Ref No.	Description
88117	—	Faucet Repair Kit
	Contains:	(2) 31431 Port Seal Rings (2) 35739 Spout O-Rings

REPAIRS FOR

VALLEY

LAVATORY FAUCET

Series A551/541/531, A521/511/501, NA5514, NA5214/5014, NC5514, NC5214/5014, NL5514, NL5214/5014



Item No.	Stock No.	OEM Ref No.	Description
1	—	VP1780	Handle Adapter Screw
2	—	VP1963	Handle Adapter
3	—	VP1905BG1	Lever Handle Assembly
4	—	V6904	Handle Button
5	35646B	V7810	Handle Screw
6	88743	V5002BG1	Teardrop Handle Assembly <i>Acrylic/Chrome</i>
7	88742	V5001BG1	Knob Handle Assembly <i>Acrylic/Chrome</i>
8	88379	V6679CD	Star Burst Handle <i>Silver Acrylic</i>
9	—	V2265CD	Lever Handle
10	—	VP1713	Bonnet Lock Ring
11	—	VP1712	Bonnet Nut
12	35743B	VP1956	O-Ring (For Diverter Control Only)
13	—	VP1952	Port Seal Ring
14	35739B	VP1987	Spout O-Ring
15	88197	VP1964CD	Control Cartridge Non-Diverter
	88198	VP1965CD	Control Cartridge Diverter
16	10489	V7058CD	Aerator
17	—	V6633CD	Bonnet Assembly
18	80978	V6680CD	Control Assembly
19	35752B	V1112CD	O-Ring
20	80686	V7059CD	Seal & Spring
21	—	V6643	IPS Fittings Parts Bag

Item No.	Stock No.	OEM Ref No.	Description
22	—	V6670	Pump Only
23	—	V2000	Pump/Dispenser Assembly
24	86948	V7715	Spray Hose Guide <i>Chrome</i>

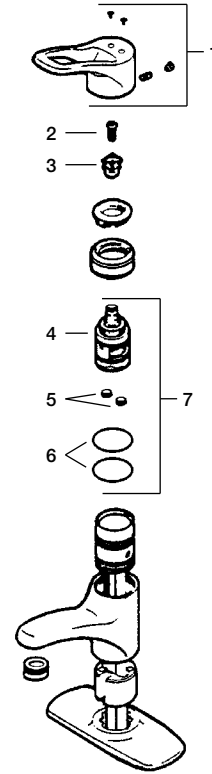
REPAIRS FOR

VALLEY

LAVATORY FAUCET

Series Y18345

Item No.	Stock No.	OEM Ref No.	Description
1	—	V8123	Handle Assembly
2	—	VP1780	Screws for Models with Metal Stem
3	—	VP1963	Handle Adapter
4	35737B	—	Cartridge O-Ring
5	—	VP1952	Port Seat 2 required
6	35739B	VP1987	Spout O-Ring 2 required
7	88197	VP1964	Control Cartridge Assembly
Stock No.			Description
88117			Faucet Repair Kit
<i>Contains:</i>			(2) 31431 Port Seal Rings (2) 35739 Spout O-Rings



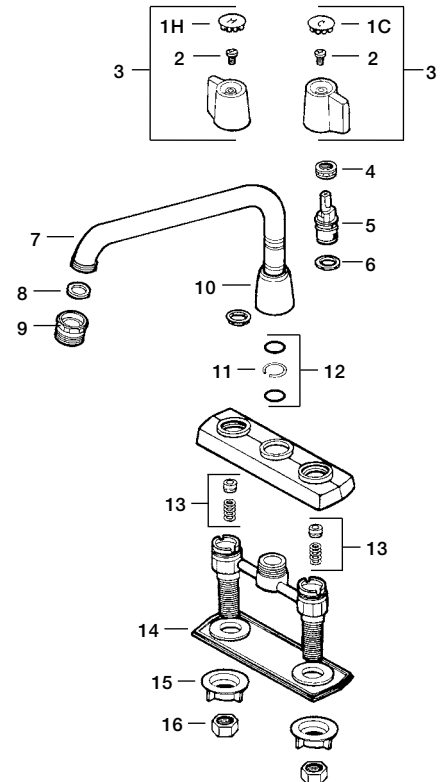
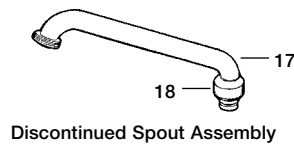
REPAIRS FOR

VALLEY

LAUNDRY FAUCET

Series TM620

Item No.	Stock No.	OEM Ref No.	Description
1H	—	V6888CD	Index Button <i>Hot</i>
1C	—	V6888CD	Index Button <i>Cold</i>
2	35646B	V7833	Handle Screw
3	—	—	(1) Pair Handles <i>Chrome Plated</i>
4	—	V1814CD	Bonnet Nut (2)
5	17312B	V6804CD	Stem
6	—	V7835	Spacer
7	—	V2051	Spout
8	—	GAS4681Z	Hose Gasket
9	—	ADP3743C	Hose Adapter
10	—	V2055	Spout Bonnet
11	—	V1855	Retaining Ring
12	35728B	V1854	O-Rings (2)
13	80686	V7059CD	Seal & Spring
14	—	V1852	Undercover Plate
15	73113B	—	Locknut
16	—	—	Supply Nut
17	—	V1862	Spout
18	—	V1864	Spout Bonnet



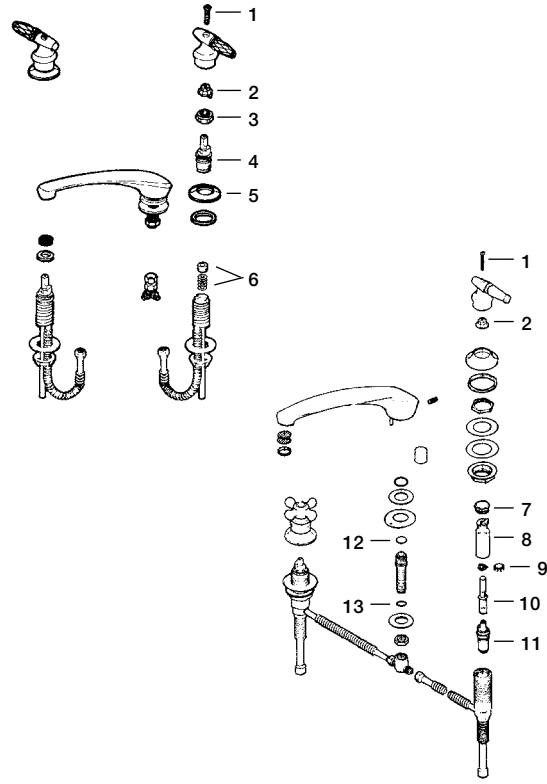
REPAIRS FOR

VALLEY

ROMAN TUB FAUCETS

Series TDRX411/914/916, TDRB717, TDRX411F, TDRX914F/916F, TDRB717F

Item No.	Stock No.	OEM Ref No.	Description
1	—	V3966	Handle Screw <i>Chrome</i>
2	—	V3955	Stem Adapter (<i>Yellow</i>) <i>Hot</i>
	—	V3971	Stem Adapter (<i>Green</i>) <i>Cold</i>
3	—	V1814CD	Bonnet
4	17312B	V6804CD	Stem Assembly
5	—	V3957	Escutcheon <i>Chrome</i>
6	80686	V7059CD	Seal & Spring
7	—	V3754	Bonnet Nut
8	—	V3759	Stop Extension
9	—	Z3757	Wave Washer
10	—	V3760	Stem Extension
11	14190B	V6860	Stem Assembly
12	35749B	V4678	O-Ring
13	35742B	V4213	O-Ring
	Stock No.	OEM Ref No.	Description
	124198	—	Stem Repair Kit
		<i>Contains:</i>	(1) 35784 O-Ring (1) 35725 O-Ring (1) 35721 O-Ring (1) 31510 Seat (1) 31511 Spring



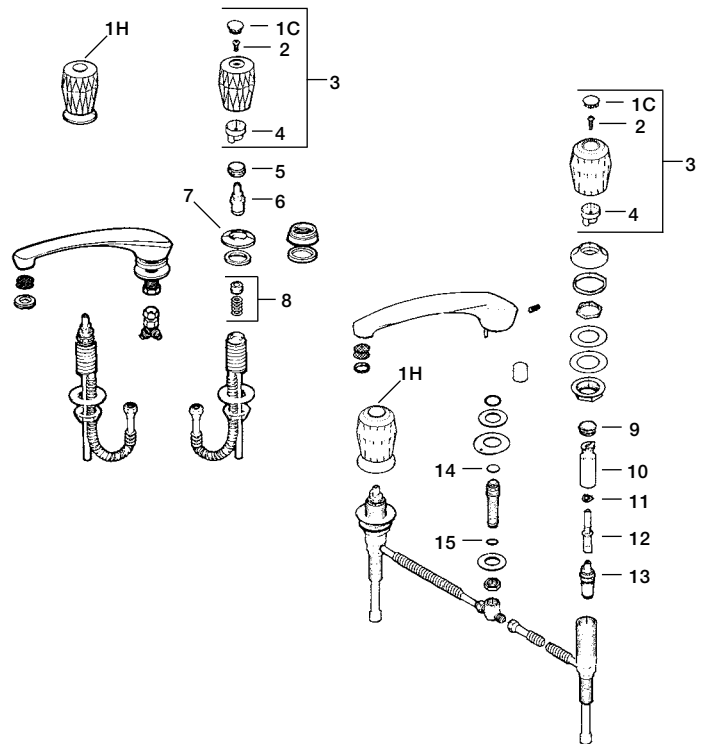
REPAIRS FOR

VALLEY

ROMAN TUB FAUCETS

Series TR411/914/916, TR411F/914F/916F

Item No.	Stock No.	OEM Ref No.	Description
1H	—	V6888CD	Index Button <i>Hot</i>
1C	—	V6888CD	Index Button <i>Cold</i>
2	35646B	V7833	Handle Screw
3	—	V7859	(1) Pair Handles <i>Clear Acrylic</i>
4	—	V7881	Handle Bushing
5	—	V1814CD	Bonnet
6	17312B	V6804CD	Stem Assembly
7	—	V3957	Escutcheon <i>Chrome</i>
8	80686	V7059CD	Seal & Spring
9	—	V3754	Bonnet Nut
10	—	V3759	Stop Extension
11	—	V3757	Wave Washer
12	—	V3760	Stem Extension
13	14190B	V6860	Stem Assembly
14	35749B	V4678	O-Ring
15	35742B	V4213	O-Ring
	Stock No.	OEM Ref No.	Description
	124198	—	Stem Repair Kit
		<i>Contains:</i>	(1) 35784 O-Ring (1) 35725 O-Ring (1) 35721 O-Ring (1) 31510 Seat (1) 31511 Spring

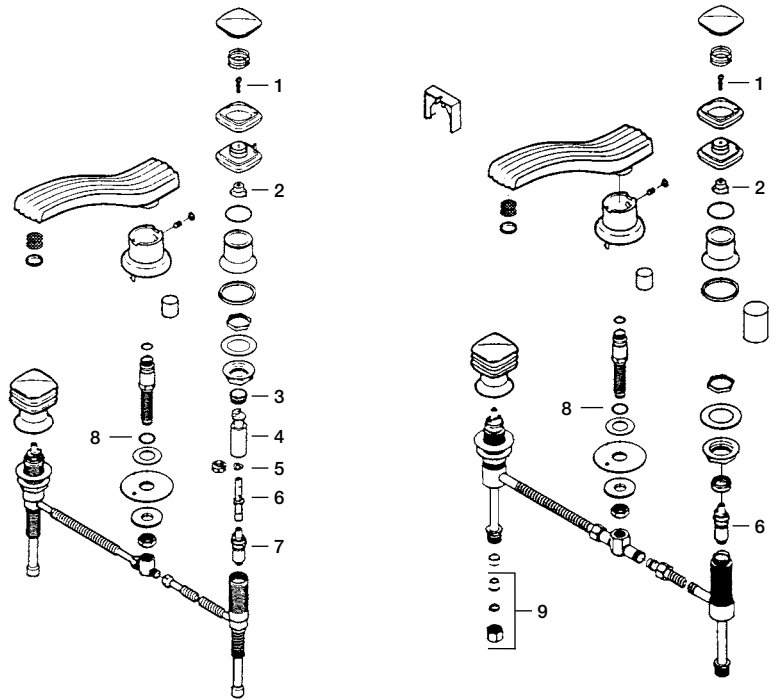


REPAIRS FOR

VALLEY

ROMAN TUB FAUCET

Series *Rib Flow* Y24847



Item No.	Stock No.	OEM Ref No.	Description
1	35646B	V7833	Handle Screw
2	—	V3955	Stem Adapter
3	—	V3754	Bonnet
4	—	V3759	Stop Extension
5	—	V3757	Wave Washer
6	—	V3760	Stem Extension
7	14190B	V6860	Stem
8	35742B	V4213	Spout O-Ring
9	—	V6643	IPS Parts Bag

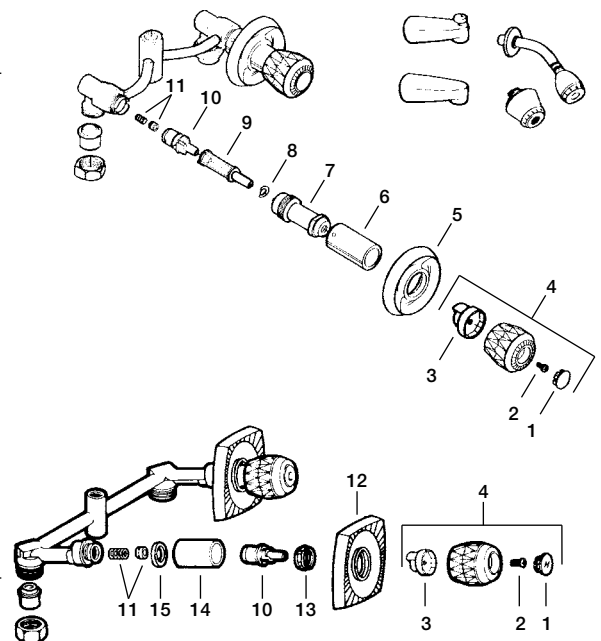
REPAIRS FOR

VALLEY

BATH FIXTURE

Series TC431, TC934, TC936, TC421, TC924, TC926, TC411, TC914R, TC916, TC401

Item No.	Stock No.	OEM Ref No.	Description
1H	—	V6888CD	Index Button <i>Hot</i>
1C	—	V6888CD	Index Button <i>Cold</i>
2	35646B	V7833	Handle Screw
3	—	V7881	Handle Bushing
4	88304	—	(1) Pair Handles <i>Acrylic</i>
5	—	V5882BG	Round Escutcheon 1-11/32" Hole <i>Chrome</i>
6	—	V4716	Sleeve Cover 1-11/32" Hole <i>Chrome</i>
7	—	V4715	Sleeve <i>Chrome</i>
8	—	V3757	Wave Washer
9	18067	V5805	Stem Extension, White
10	17312B	V6804CD	Stem Assembly
11	80686	V7059CD	Seal & Spring
12	—	V4800	Square Escutcheon 1-11/32" Hole <i>Chrome</i>
13	—	V1814CD	Bonnet
14	—	V4803	Sleeve 1-11/32" Hole <i>Chrome</i>
15	—	V4804	Gasket



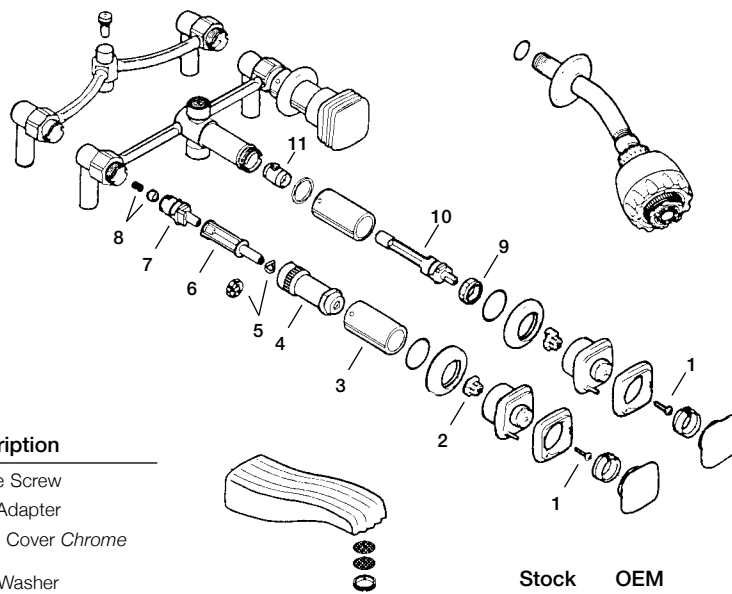
Stock No.	OEM Ref No.	Description
124198	—	Stem Repair Kit
Contains:		(1) 35784 O-Ring
		(1) 35725 O-Ring
		(1) 35721 O-Ring
		(1) 31510 Seat
		(1) 31511 Spring

REPAIRS FOR

VALLEY

BATH FIXTURE

Series Rib Flow Y24947, Y24247, Y24147



Item No.	Stock No.	OEM Ref No.	Description
1	35646B	V7833	Handle Screw
2	—	V3955	Stem Adapter
3	—	V4716	Sleeve Cover <i>Chrome</i>
4	—	V4715	Sleeve
5	—	V3757	Wave Washer
6	18067	V5805	Stem Extension
7	17312B	V6804CD	Stem Assembly
8	80686	V7059CD	Seal & Spring
9	—	V18141	Bonnet-Unplated
10	17453B	V6856CD	Diverter Stem Assembly
11	—	V4943	Diverter Seal

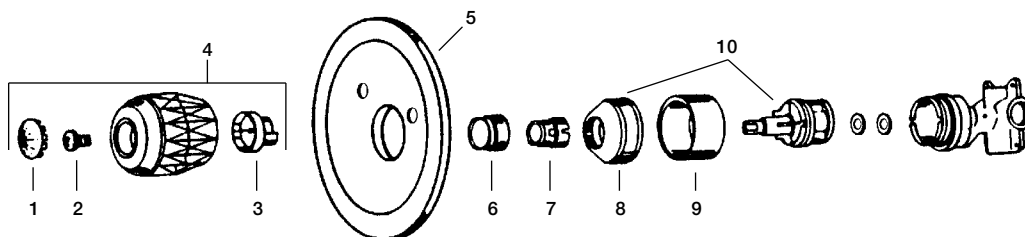
Stock No.	OEM Ref No.	Description
124198	—	Stem Repair Kit
	<i>Contains:</i>	(1) 35784 O-Ring
		(1) 35725 O-Ring
		(1) 35721 O-Ring
		(1) 31510 Seat
		(1) 31511 Spring

REPAIRS FOR

VALLEY

BATH FIXTURE

Series 401, 411, 421, 431, 914, 916, 924, 926, 934, 936 (after October 1986)



Item No.	Stock No.	OEM Ref No.	Description
1	—	V4220	Handle Button <i>Chrome Plated</i>
2	—	V7833	Handle Screw
3	—	V7881	Handle Bushing
4	31442	V7880	Starfire Handle Assembly
	—	V78806	Starfire Handle Assembly
			<i>Clear Acrylic for Chrome & Polished Brass</i>
			<i>Smoke Acrylic for Chrome & Polished Brass</i>
5	—	V4462	Escutcheon Assembly <i>Chrome</i>
6	—	V4206	Maximum Temperature Stop
7	—	V4205	Stop Bushing
8	—	V7709	Bonnet <i>Chrome Plated</i>
9	—	V4197	Sleeve <i>Chrome Plated</i>
10	—	V6005	Cartridge Assembly (less V4197 Sleeve)

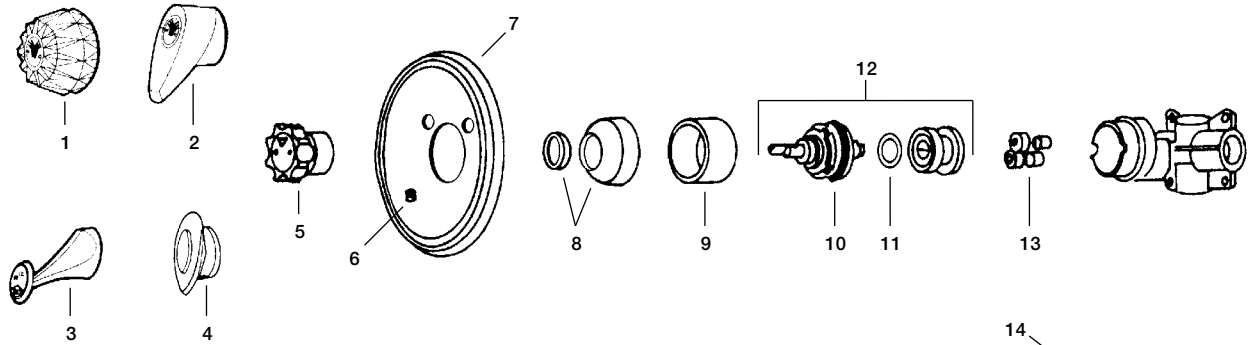
Items Not Illustrated

80764	V4429	Tub Spout less Diverter <i>Chrome</i>
80875	V44294	Tub Spout less Diverter <i>Polished Brass</i>
80765	V4428	Tub Spout with Diverter <i>Chrome</i>
80877	V44284	Tub Spout with Diverter <i>Polished Brass</i>
89180	V4426	Shower Arm & Flange <i>Chrome</i>
—	V44264	Shower Arm <i>Polished Brass</i>
89172	V4425	Shower Arm Escutcheon <i>Chrome</i>
—	V482634	Shower Arm Escutcheon <i>Polished Brass</i>

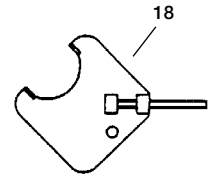
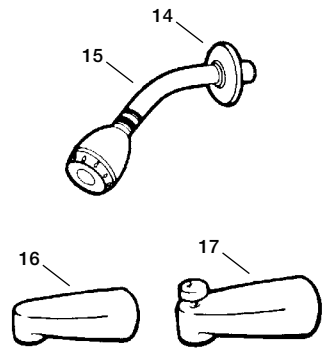
VALLEY

BATH FIXTURE

Series 400, 401, 411, 421, 429, 431, 914, 916, 924, 926, 929, 934, 936 (prior to October 1986)



NOTE
 For fixtures with the starburst handle, use STK No. 80688 and 80689 repair kits
Replacing Control Assembly
 When Replacing Old Style Control Assembly (R-630),
 Use New Style V-6680
 When Changing From Old Style Control Assembly To New Style V-6880,
 You Must Use Lever Handle V-1165



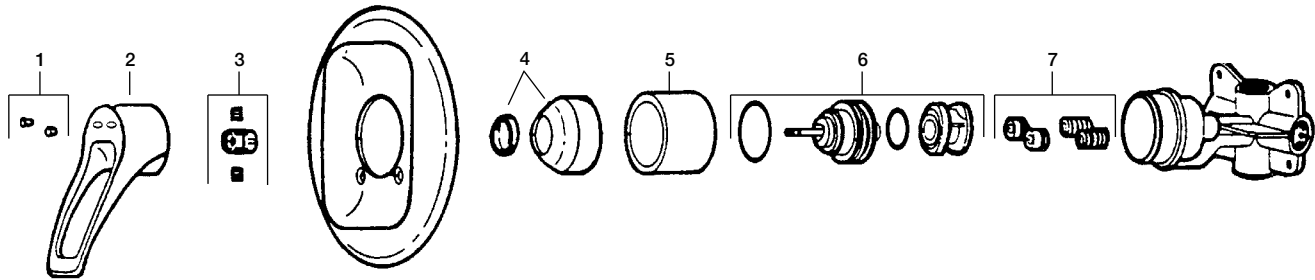
Item No.	Stock No.	OEM Ref No.	Description
1	86659	V5014BG1	Knob Handle Assembly <i>Chrome</i>
2	—	V5013BG1	Teardrop Handle Assembly <i>Chrome Acrylic</i>
3	—	V1165CD	Lever Handle <i>Chrome</i>
4	88379	V6679CD	Star Burst Handle <i>Silver Acrylic</i>
	—	V66396	Star Burst Handle <i>Smoke Acrylic</i>
5	—	V6639	Knob Handle (R322) (Use Starburst Handle V6679CD or V66396)
6	—	R719	Escutcheon Set Screw
7	—	V4462	Escutcheon Assembly <i>Chrome</i>
	—	V6644	Escutcheon Screws <i>Chrome Not Illustrated</i>
8	—	V6633	Bonnet with Adjusting Ring (R760, S710)
9	—	V4197GB	Sleeve <i>Chrome Plated</i>
10	35770B	—	Old Style Retainer O-Ring (R630)
11	35771B	VP1956	Old Style Control Plate O-Ring (R630)
12	—	R630	Control Assembly (Use V6680)
	—	R680	Control Assembly (Use V6680)
	80978	V6680	Control Assembly for Knob & Lever Handle Fixtures
13	80686	V7700/01	Seal & Spring (R700-1)
14	89172	V4425	Shower Arm Escutcheon <i>Chrome</i>
	—	V482634	Shower Arm Escutcheon <i>Polished Brass</i>
	—	V82636	Shower Arm Escutcheon <i>Antique Brass</i>
15	89180	V4426	Shower Arm & Flange <i>Chrome</i>
	—	V44264	Shower Arm <i>Polished Brass</i>
	—	V44266	Shower Arm <i>Antique Brass</i>
16	80764	V4429	Tub Spout less Diverter <i>Chrome</i>
	80875	V44294	Tub Spout less Diverter <i>Polished Brass</i>
	—	V44296	Tub Spout less Diverter <i>Antique Brass</i>
17	80765	V4428	Tub Spout with Diverter <i>Chrome</i>
	80877	V44284	Tub Spout with Diverter <i>Polished Brass</i>
	—	V44286	Tub Spout with Diverter <i>Antique Brass</i>
18	—	—	Assembly Wrench

Stock No.	OEM Ref No.	Description
80688	—	Stem Repair Kit
	Contains:	(3) 35752 O-Rings (1) 35731 O-Ring (1) 35739 O-Ring (2) 31503 Seal & Spring Assemblies (1) 30765 Hex Key

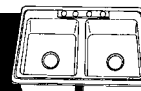
VALLEY

BATH FIXTURE

Series Loop Handle Y14045, Y14145, Y14245, Y14345



Item No.	Stock No.	OEM Ref No.	Description
1	—	V8136	Index Button (Red) <i>Hot</i>
	—	V8137	Index Button (Blue) <i>Cold</i>
2	—	V8200	Loop Handle <i>Chrome</i>
3	—	V8256	Handle Adapter & 2 Set Screws
4	—	V8228	Bonnet Nut Assembly <i>Chrome</i>
5	—	V4197	Sleeve <i>Chrome Plated</i>
6	80978	V6680	Control Assembly for Knob & Lever Handle Fixtures
7	80686	V7059	Seal & Spring
	—	V6644	(1) Pair Escutcheon Screws <i>Chrome Not Illustrated</i>

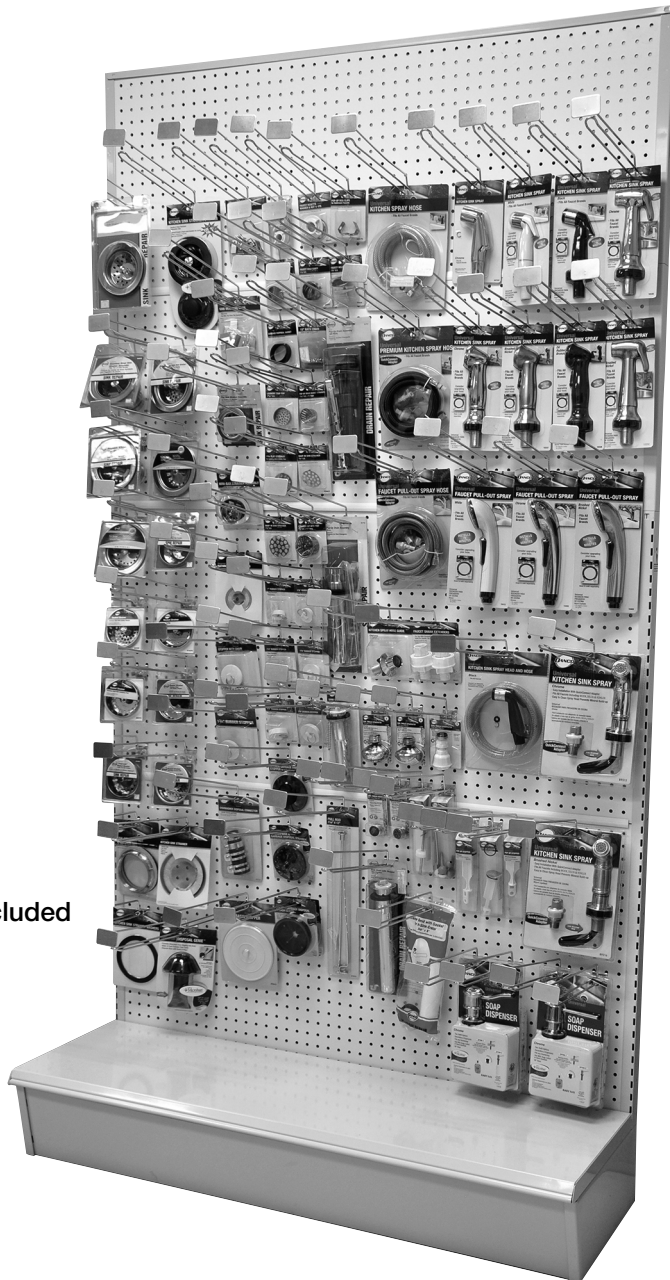


SINK REPAIR ASSORTMENTS

SINK REPAIR ASSORTMENTS

DANCO Perfect Match has the most comprehensive assortment of Sink Repair Parts and Accessories in the industry today. The Assortments feature an extensive selection of product effectively packaged and merchandised to maximize your selling space.

- Extensive Product Mix: Kitchen sink strainer assemblies and accessories, lavatory pop-up assemblies and accessories, kitchen spray hoses and accessories and aerators and adapters
- Incredible Selection: Products are available in a choice of finishes, sizes and price points
- Reclosable Packaging
- Informative, consumer-friendly language simplifies the product selection process
- High-impact signage easily guides consumers to the right assortment for their sink repair needs

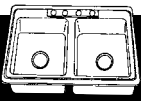


Gondola Not Included

Stk. No.	Description
81177	4' Sink Repair Contains 1 Each of 81 Featured Repair Parts
81187	4' Sink Repair Contains 3 Each of 81 Featured Repair Parts
81217	Perfect Finish Kitchen Assortment Contains 1 Each of Featured Repair Parts Brushed Nickel Repairs

FREE MERCHANDISING SYSTEM COMPONENTS

- Aisle Flag
- Header
- Scan Tag Labels
- Planogram

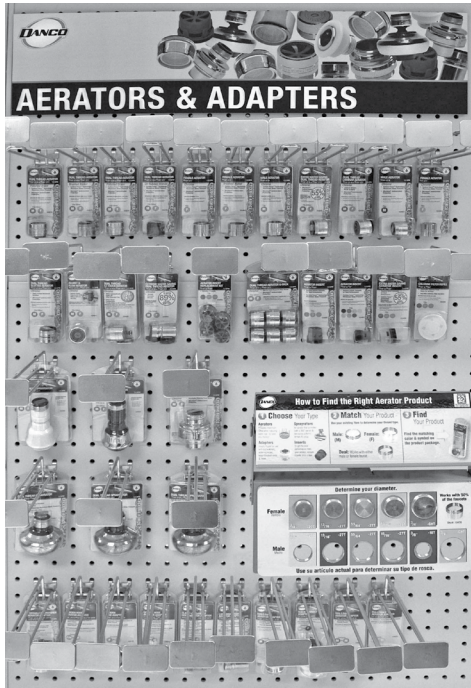


SINK & LAV REPAIRS

AERATORS

AERATORS AND AERATOR ADAPTERS ASSORTMENT

- Contains Different Types of Aerators, Adapters, Snap Couplings, Aerator Repairs, etc.
- Complete with "Size Bar" for Easy Identification of Both Male and Female Aerators
- The Header is Complete with All Instructions to Allow Your Customers to Identify the Part They Need Without Assistance



Stk. No.	Description
10556	2' Aerator and Adapter Assortment Gondola Not Included



Water Sense

Danco products that are Water Sense certified comply with the EPA standards to reduce water usage.



Cyclone Force™ Technology

Patented water delivery system that twists the water stream to add more force while saving water.



Microban® Antimicrobial Protection

Built-in antimicrobial protection fights the growth of odor-causing bacteria.



Low Lead Compliant

Meets the requirements of the Reduction of Lead in Drinking Water Act.

*Not all products have all of these features.

1.5 GPM AERATORS



Dual Thread



Male



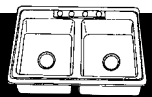
Female



Dual Thread Multipack (6)

Stk. No.	Description
10476	1.5 GPM 1/16"-27M or 5/64"-27F <i>Chrome</i>
10477	1.5 GPM 1/16"-27M or 5/64"-27F <i>Brushed Nickel</i>
10478	1.5 GPM 1/16"-27M or 5/64"-27F <i>Polished Brass</i>
10479	1.5 GPM 1/16"-27M or 5/64"-27F <i>Oil Rubbed Bronze</i>
10483	1.5 GPM 1/16"-27M <i>Chrome</i>
10484	1.5 GPM 1/16"-27M <i>Brushed Nickel</i>
10481	1.5 GPM 5/64"-27F <i>Chrome</i>
10482	1.5 GPM 5/64"-27F <i>Brushed Nickel</i>
10487	1.5 GPM 13/16"-27M <i>Chrome</i>
10488	1.5 GPM 3/4"-27F <i>Chrome</i>
10493	1.5 GPM 1/16"-27M or 5/64"-27F <i>Chrome (6 pack)</i>

SINK & LAV REPAIRS



SINK & LAV

AERATORS

1.5 GPM AERATORS



Dual Thread Laminar

No air in spray; Ideal for medical applications



Dual Thread Slotted

Adds more air for stronger water force

Stk. No.	Description
10486	1.5 GPM 1 ⁵ / ₁₆ "-27M or 5 ⁵ / ₆₄ "-27F Chrome
10489	1.5 GPM 1 ⁵ / ₁₆ "-27M or 5 ⁵ / ₆₄ "-27F Chrome

AERATORS



Dual Thread



Dual Thread

Stk. No.	Description
36099B	1.5 GPM 1 ⁵ / ₁₆ "-27M or 5 ⁵ / ₆₄ "-27F Antique Brass
36415B	1.5 GPM 1 ⁵ / ₁₆ "-27M or 5 ⁵ / ₆₄ "-27F White

EXTRA WATER SAVING DUAL THREAD AERATORS



Uses 55% less water



Uses 89% less water

Stk. No.	Description
10485	1.0 GPM 1 ⁵ / ₁₆ "-27M or 5 ⁵ / ₆₄ "-27F Chrome
10741B	0.5 GPM 1 ⁵ / ₁₆ "-27M or 5 ⁵ / ₆₄ "-27F Chrome
10492	0.25 GPM 1 ⁵ / ₁₆ "-27M or 5 ⁵ / ₆₄ "-27F Chrome

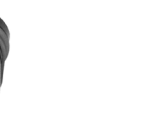
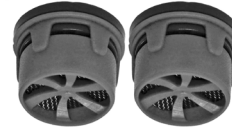
AERATOR INSERTS



1.5 GPM



1.5 GPM



1.0 GPM

Stk. No.	Description
10494	1.5 GPM 1 ⁵ / ₁₆ " or 5 ⁵ / ₆₄ " Aerator Inserts (4 pack)
10495	1.5 GPM 1 ⁵ / ₁₆ " or 5 ⁵ / ₆₄ " Aerator Insert
10496	1.0 GPM 1 ⁵ / ₁₆ " or 5 ⁵ / ₆₄ " Extra Water Saving Insert
10497	1.5 GPM 1 ³ / ₁₆ " or 3/4" Small Aerator Insert

AERATOR KIT FOR DELTA / MOEN

- Comes with Key



Stk. No.	Description
10780	1.5 GPM Aerator Kit

SPECIALTY AERATORS



10480
Chlorine Filter Dual Thread

Stk. No.	Description
10480	1.5 GPM 1 ⁵ / ₁₆ "-27M or 5 ⁵ / ₆₄ "-27F Chrome
10490	1.5 GPM 1 ⁵ / ₁₆ "-27M or 5 ⁵ / ₆₄ "-27F Chrome
10491	1.5 GPM 1 ⁵ / ₁₆ "-27M or 5 ⁵ / ₆₄ "-27F Chrome
10498	1 ⁵ / ₁₆ " or 5 ⁵ / ₆₄ " Chlorine Filter Insert



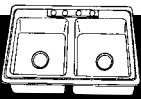
10490
Dual Thread EZ Touch
*Water automatically shuts off after extended use:
Keeps water temp steady while paused*



10491
Adjust & Flow
Reduce water flow to 0.8 GPM with a turn of the dial



10498
Chlorine Filter Insert



SINK & LAV REPAIRS

SINK & LAV

AERATORS

DISHWASHER AERATOR ADAPTERS

Portable



10506
Connects any device with female snap coupling to sink faucet

10507

Long



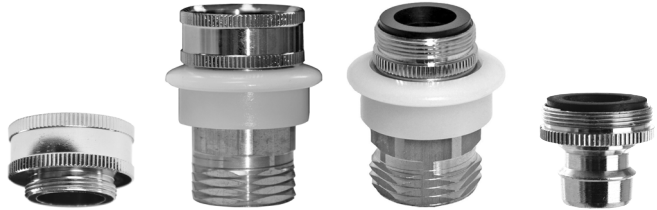
10515



Carded

Stk. No.	Description
10506	1 ⁵ / ₁₆ "-27M or 5 ⁵ / ₆₄ "-27F x Small Snap Coupling <i>Chrome</i>
10507	1 ⁵ / ₁₆ "-27M or 5 ⁵ / ₆₄ " x Large Snap Coupling <i>Chrome</i>
10515	5 ⁵ / ₆₄ "-27F x Large Snap Coupling <i>Chrome Long</i>

QUICK CONNECT & SNAP ADAPTERS



10511
Washing Machine

10518
Outdoor or Utility Faucet

10521E
Dishwasher to Sink

36108E
Dishwasher Snap

Carded

Stk. No.	Description
10511	5 ⁵ / ₆₄ "-27M x 3/4" GHTF <i>Portable Washing Machine</i>
10518	3/4" GHTM x 3/4" GHTF <i>Quick Connect</i>
10521E	1 ⁵ / ₁₆ "-27M or 5 ⁵ / ₆₄ "-27F x 3/4" GHTM <i>Quick Connect</i>
36108E	1 ⁵ / ₁₆ "-27M or 5 ⁵ / ₆₄ "-27F <i>Dishwasher Snap Adapter</i>

DUAL THREAD SPRAYRATORS

• 360° motion with two spray patterns; stream & spray



10499



10501



Carded

Stk. No.	Description
10499	1.5 GPM 1 ⁵ / ₁₆ "-27M or 5 ⁵ / ₆₄ "-27F <i>White</i>
10500	1.5 GPM 1 ⁵ / ₁₆ "-27M or 5 ⁵ / ₆₄ "-27F <i>Chrome</i>
10501	1.5 GPM 1 ⁵ / ₁₆ "-27M or 5 ⁵ / ₆₄ "-27F <i>Chrome</i>
10502	1.5 GPM 1 ⁵ / ₁₆ "-27M or 5 ⁵ / ₆₄ "-27F <i>Brushed Nickel</i>
10503	1.5 GPM 1 ⁵ / ₁₆ "-27M or 5 ⁵ / ₆₄ "-27F <i>Oil Rubbed Bronze</i>

RUBBER AERATOR WITH SPRAY



81072

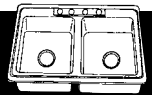


88271

Carded

Stk. No.	Description
81072	Slip-On
88271	Screw-On

SINK & LAV REPAIRS



SINK & LAV

ADAPTERS

MALE / MALE AERATOR ADAPTER



10508



10516



10517



10520



10523

Carded
Stk. No.

Stk. No.	Description
10508	55/64"-27M x 13/16"-27M
10516	3/8"-18 IPSM x 55/64"-27M
10517	15/16"-27M x 55/64"-27M
10520	15/16"-27M x 55/64"-27M
10523	3/4"-27M x 3/4"-27M
10524	15/16"-27M x 15/16"-27M
10525	55/64"-27M x 55/64"-27M



10524



10525

MALE / FEMALE AERATOR ADAPTER



10510



10519

Carded
Stk. No.

Stk. No.	Description
10510	55/64"-27M x 13/16"-24F for Chicago faucets
10519	3/4"-27F x 55/64"-27M for Kohler & Pfister faucets

FEMALE / MALE AERATOR ADAPTER



Carded

Stk. No. Description

10526	13/16"-27F x 55/64"-27M
-------	-------------------------

GARDEN HOSE ADAPTER



10509



10512



10513



10522

Carded
Stk. No.

Stk. No.	Description
10509	55/64"-27F x 55/64"-27M or 3/4" GHTM
10512	55/64"-27F x 3/4" GHTM
10513	15/16"-27M or 55/64"-27F x 3/4" GHTM or 55/64"-27M
10522	13/16"-27M x 3/4" GHTM or 13/16"-27F

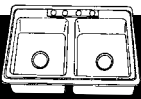
CLAMP-ON GARDEN HOSE AERATOR ADAPTER



Carded

Stk. No. Description

10514	Clamp-on x 55/64"-27M or 3/4" GHTM
-------	------------------------------------

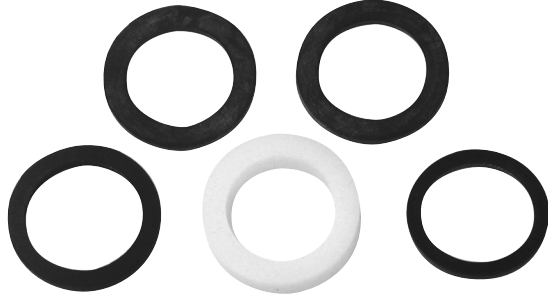


SINK & LAV REPAIRS

AERATOR ADAPTERS & SPRAY DIVERTERS

ASSORTED AERATOR SEALING WASHERS

Contains 1 Each of each pictured
 • For: 13/16" & 15/16" Aerators



Stk. No.	Description
36450B	Aerator Washer Assortment

AERATOR WASHERS

Washer is used between the end of the spout and the aerator.
 DANCO supplies washer in rubber or fiber depending on need.



Stk. No.	Type	I.D.	O.D.	Thick
36169B	Rubber	5/8"	13/16"	1/16"
36170B, W	Rubber	31/64"	23/32"	3/32"
36171B	Rubber	35/64"	27/32"	1/8"

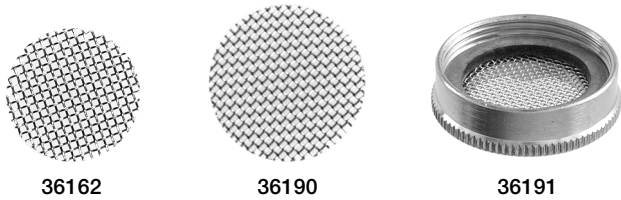
AERATOR WASHER



Stk. No.	Description
89133	Aerator Repair Kit Contains (1) Screen, (1) Washer

STREAM REGULATORS AND SCREENS

• Used in place of an aerator on all 13/16" or 15/16" spouts having a male thread
 • Triple Chrome Plated Brass



Stk. No.	Part No.	Description
36162B, W	8	13/16" Brass Screen Only
36190B	7	15/16" Brass Screen Only
36191E	10	15/16" Female Retainer with Screen & Washer

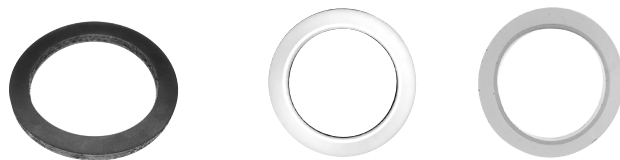
SPRAY DIVERTERS



Stk. No.	Part No.	Description
36208C	403-7	Spray Diverter for Delta, Sterling, Speakman, Valley
80093E	—	Spray Diverter for Delta, Peerless
36221	—	Spray Diverter for Moen
88757	—	Spray Diverter for Delta

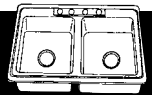
SINK STRAINER COUPLING NUT WASHERS

This is the washer used between the shank of the sink strainer and the lip of the tailpiece with the 1 1/2" coupling nut making the connection.



Stk. No.	Carded Stk. No.	Material	O.D.	I.D.	Thick
36459B	Rubber	1 3/8"	1 3/8"	1/8"	
36460B, W		Poly	1 3/4"	1 3/8"	1/8"
36622B, W	—	Flexible	1 3/4"	1 3/8"	3/32"
—	80046	Contains (1) 36459, (1) 36460			

36459 Two-Ply Duck Reinforced Rubber
36460 "Poly" with 1/8" Lip
36622 "Poly" with 1/8" Lip



STRAINER REPAIRS

SINK STRAINER

- Basket Type
- Complete with Nuts and Washers



Stk. No.	Carded Stk. No.	Description
—	88287	3½" Sink Opening -Plastic
50518Q	—	3½" Sink Opening- Metal
—	89302	<i>Brushed Nickel -Metal</i>
—	89304	<i>Oil Rubbed Bronze -Metal</i>
—	89305	<i>Stainless -Metal</i>

BASKET SINK STRAINER

- Installs in most sinks
- Heavy-weight double cup feature
- "Lock-In" closure on the basket post provides a water-tight seal
- Easy-to-follow instructions makes for simple installation
- Stainless steel construction
- Full length threaded shank



Carded Stk. No.	Description
81090	Premium Sink Strainer
81091	"Lock-In" Basket Strainer

REPLACEMENT STRAINER FOR SPIN-N-GRIN

- Extra Heavy Brass Stainless Steel Basket
- Patented Locking Action
- 3½" Strainer



Strainer with Basket

Carded Stk. No.	Description
81077	Strainer with Basket <i>Polished SS</i>
86800	Replacement Basket <i>Chrome Plated</i>

BASKET SINK STRAINER

- Stainless Steel Body and Basket
- Cast Brass Coupling Nut
- Complete with Nuts and Washers



Carded Stk. No.	Stk. No.	Description
50545Q	86803	3½" x 4" Sink Opening

FLAT SINK STRAINER ASSEMBLY

- Heavy Wrought Brass Construction
- Triple Chrome Plated
- Designed for Combination Sinks and Laundry Trays with Small Hole Drillings



Carded Stk. No.	Part No.	Description
89072	21	3" Flange x 2" Opening

MINI BAR STRAINERS

- 2¹³/₁₆" x 1¹/₄"



Carded Stk. No.	Description
86805	Assembly
88957	Basket Only

BASKET STRAINER FOR LAVATORY

- Less Post
- Used in Lavatories Where the Cross-Bar is Missing or the Pop-Up Has Been Removed
- Chrome Plated Brass



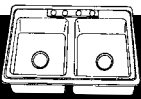
Carded Stk. No.	Description
80058	1½" O.D. x ¾" Depth

BASKET STRAINERS

- With Post
- Used in Sinks with Small Openings or in Combination Sinks and Utility Tubs
- Chrome Plated Brass



Carded Stk. No.	Description
88967	1⅞" O.D. x 1¼" Depth



SINK & LAV REPAIRS

SINK & LAV

SINK STRAINERS

BASKET STRAINER

- Less Post
- Used in Combination Sinks and Utility Tubs
- Chrome Plated Brass



Stk. No.	Description
89049	1½" O.D. x 7⁄8" Depth

LAUNDRY TRAY CUP SHALLOW BASKET STRAINER

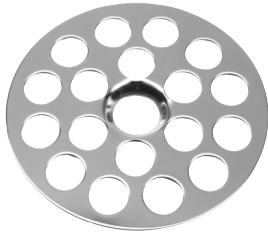
- Sits on Cross Bar and Allows Stopper to be Used
- Chrome Plated



Stk. No.	Description
88949	3¼" W x 1½" H

FLAT SINK STRAINERS

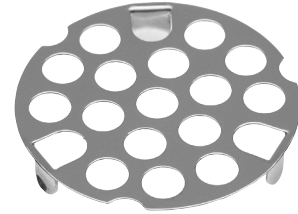
- For Lavatory, Sink and Utility Tubs
- Keeps Drain Lines Clear and Prevents Costly Repairs
- Chrome Plated Brass



Stk. No.	O.D.
80060	1½"
80061	1⅝"

FLAT SINK STRAINERS

- Available in 3-prong snap-in and apron styles
- Chrome plated brass



Stk. No.	O.D.	Deep	Style
80062	1⅝"	¼"	3 Prong
80064	1⅝"	¼"	3 Prong

REPLACEMENT BASKET STRAINERS



80900



88275



86792



86800



86720



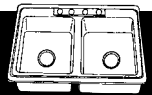
81079



51275

Stk. No.	Carded Stk. No.	Material	O.D.	Rim to Stopper
50537Q	80900	Stainless Steel Drop Center Post	3¼"	1⅜"
—	51275	Brass Ground Joint	3¼"	1⅝"
50872Q	88275	Stainless Steel Stationary Post	3¼"	1¼"
—	86800	Stainless Steel Screw Lock	3¼"	1"
—	81079	Stainless Steel Arrow Clip	3¼"	¾"
—	86792	Plastic w/Rubber Stopper	3¼"	1¼"
—	86720	Stainless Steel w/Rubber Stopper	3¼"	1½"

SINK & LAV REPAIRS

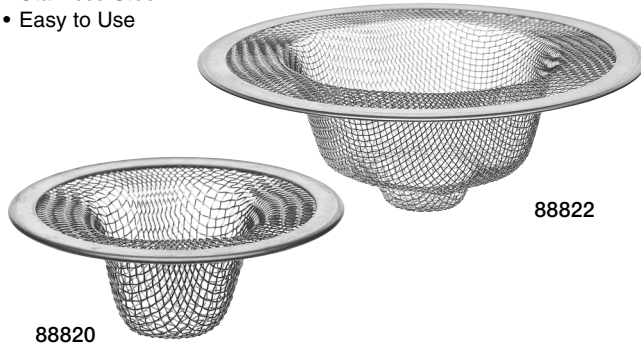


SINK & LAV

SINK STRAINERS, REPAIRS & STOPPERS

MESH STRAINERS

- Prevents Clogged Drains
- Catches Hair, Lint, Soap, Paper, Small Toys, Bottle Caps
- Stainless Steel
- Easy to Use



Carded Stk. No.	Description
88820	2½" for Lavatory Sinks
88822	4½" for Kitchen Sinks
88886	Mesh Strainer Variety Pak (Contains: 1 each 2½", 2¾", 4½" sizes)

BASIN ROSETTE WASHERS

- Cadmium Plated Steel
- ½" IPS



Bagged Stk. No.	Carded Stk. No.	Style
36475B	—	Canopy
36476B	80344	Flat
—	88652	Contains (1) 36476 & (1) 73113 locknut

BASKET SINK STRAINER REPAIRS



Bagged Stk. No.	Carded Stk. No.	Material	O.D.	I.D.	Thick
50532B	—	Rubber	4¾"	3 ⁷ / ₁₆ "	1/8"
50534B	—	Die Cast	4¾"	3 ¹ / ₃₂ "	7/16"
—	—	Brass	2½"	1 ¹³ / ₁₆ "	5/16"
52075B	—	Die Cast	2½"	1 ¹³ / ₁₆ "	1 ³ / ₃₂ "
50593	—	Poly	4¾"	3½"	1/16"
50592B, W	—	Fiber	4¾"	3¾"	1/32"
—	81080	Contains (1) 50532, (1) 50592, (1) 50534			
—	88438	Contains (1) 50532, (1) 50592			

WHITE RUBBER STOPPERS

- With Split-Type Ring
- Long Wearing
- Stain Proof



Bagged Stk. No.	Carded Stk. No.	Description
35973B	81068	7/8"
35974B	80223	1"
—	80224	1 1/8"
35976B, W	80225	1 1/4"
—	80226	1 3/8"
35979B	80228	1 5/8"
35980B	88272	1 3/4"
35981B	—	1 7/8"

UNIVERSAL STOPPERS

- Beaded Chain Included



Carded Stk. No.	Description
80784	Universal Basin Stopper Fits 1" to 1 1/8"
80783	Universal Tub Stopper Fits 1 1/2" to 2"

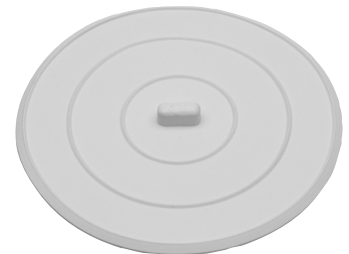
BEADED CHAIN FOR STOPPERS

- With Couplings

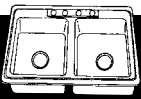


Stk. No.	Size
80038	11"
80039	15"

FLAT SUCTION STOPPER



Stk. No.	Size
89042	5"



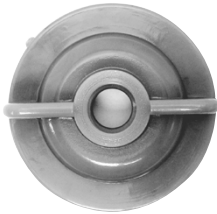
SINK & LAV REPAIRS

SINK & LAV

REPAIRS

SHANK LOCKNUT FOR SINGLE HANDLE FAUCETS

- 3/8" Plastic

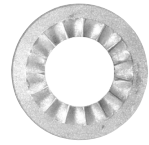


Bagged
Stk. No.

73115B

FAUCET LOCKNUT

- 1/2" IPS



36476
Rosette
Washer

Bagged Stk. No.	Carded Stk. No.	Description
73113B, K	80990	(1) 1/2" IPS Plastic (<i>White</i>)
—	88736	(2) 1/2" IPS Plastic (<i>White</i>)
—	88652	(1) 73113, (1) 36476 (<i>rosette</i>)

TAILPIECE NUT

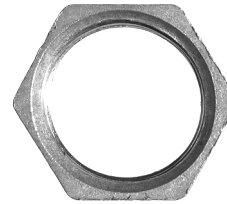
- 1/2" or 3/8" Die-Cast



Bagged Stk. No.	Carded Stk. No.	Description
73107B	89138	2 per card

FAUCET LOCKNUT

- 1/2" IPS Metal



Bagged Stk. No.	Carded Stk. No.	Description
73106W, B	88009	1 per card

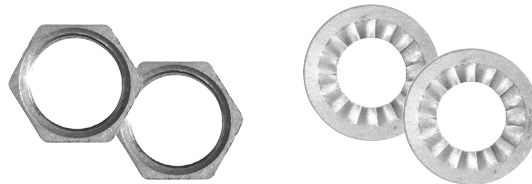
TAILPIECE NUT

- 1/2" IPS
- Plastic



Bagged Stk. No.	Carded Stk. No.	Description
73114B, K	88410	2 per card

KITCHEN & LAVATORY FAUCET NUTS & WASHERS



Carded Stk. No.	Description
56030	Contains: (2) 73106 <i>Nuts</i> , (2) 36476 <i>Washers</i>

TAILPIECE NUT

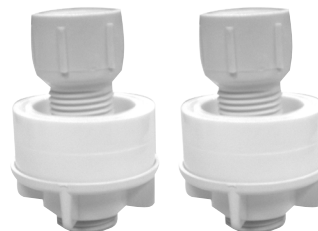
- Molded Construction



Bagged Stk. No.	Carded Stk. No.	Description
51852B	—	1/2" for 3/8" O.D. Tube

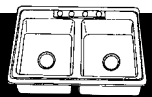
FAUCET SHANK EXTENDERS

- PVC Construction
- Includes Rubber Washer



Kit Stk. No.	Description
89477	For use with thick countertops.

SINK & LAV REPAIRS



SINK & LAV

SINK REPAIRS & DISPENSERS

BASIN MACK GASKETS

Used as a Seat Between the PO Plug and Underside of the Lavatory Basin



Bagged Stk. No.	Carded Stk. No.	Description
36561B, W	80346	2" O.D. x 1 1/4" I.D. x 3/8" Thick
36563B	—	2" O.D. x 1 3/8" I.D. x 3/8" Thick
36562B, Z	88347	2 3/8" O.D. x 1 1/4" I.D. x 3/8" Thick
36564B	88959	2 3/8" O.D. x 1 7/16" I.D. x 3/8" Thick

FAUCET HOLE COVERS



Bolt Style



Snap-In Style



Threaded Style

Carded Stk. No.	O.D.	Finish	Style
80830	1 3/4"	Chrome	Bolt
88952	2"	Chrome	Bolt
80246	1 1/4"	Chrome	Snap-In
80247	1 1/2"	Chrome	Snap-In
Designer Finishes:			
89344	1 3/4"	Chrome	Threaded
89478	1 3/4"	Stainless	Threaded
89331	1 3/4"	Ice White	Threaded

LIQUID SOAP DISPENSER

- Basin Mount Style
- 16 oz. Capacity
- Chrome Plated Brass Parts
- 4 3/4" Shank
Discharge Spout 2" from Center of Dispenser
1 3/4" above Basin



Carded Stk. No.	Finish
89316	Ice White
89320	Oil Rubbed Bronze

LIQUID SOAP DISPENSER

- Basin Mount Style
- 4 ft Hose & Bottle Stopper
- Longer Shank for Thicker Tops (*White or Oil Rubbed Bronze will not have Microban)



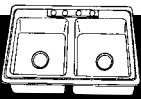
Carded Stk. No.	Finish
10037	Straight Chrome
10039	Straight Brushed Nickel
10041	Straight White*
10038	Curve Chrome
10040	Curve Brushed Nickel*
10042	Curve Oil Rubbed Bronze

AIR GAP SOAP DISPENSER

- Basin Mount Style
- Plastic Body, Metal Cap Assembly
- Snaps on to Existing Air Gap



Carded Stk. No.	Finish
89502	Straight Chrome
89503	Straight Brushed Nickel

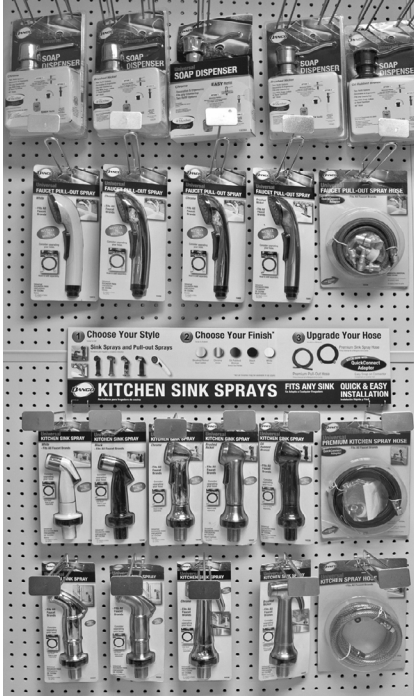


SINK & LAV REPAIRS

SPRAY HEADS & HOSES

iMATCH ASSORTMENT

- Mix and match concept gives consumers a choice of styles for spray heads, pull out heads and hoses
- Offers a variety of styles and finishes to meet every need
- Quick connect adapter included with premium style spray hose
- Eliminates inventory required to carry complete Hose & Head assemblies



Assortment Includes*

- Soap Dispensers *2 styles & 3 finishes*
- Pull-out Sprays *5 finishes*
- Kitchen Sink Sprays *4 styles & 5 finishes*
- Faucet Pull-out Spray Hose
- Standard Kitchen Spray Hose
- Premium Kitchen Spray Hose

*Not all finishes available in all styles

Stk. No.	Description
10578	iMatch Assortment

SPRAY HOSE GUIDES

- High Impact Plastic Core to Prevent Excessive Hose Wear
- The 2" Raised Escutcheon Prevents Water from Running Into the Area Under the Sink
- For Deck and Sink Mount Installations



Carded Stk. No.	Description
86948	Chrome
89225	Brushed Nickel

SIDE SPRAY

- Works on faucets with Screw-On and Push-On Hose Connections
- Easy installation with Quick Connect Adapter
- Kink resistant hose



Carded Stk. No.	Description
89215	Decorative Kitchen Side Spray <i>Chrome</i>
89216	Decorative Kitchen Side Spray <i>Brushed Nickel</i>

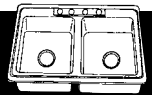
REPLACEMENT KITCHEN PULL-OUT HOSE AND HEADS FOR PULL-OUT FAUCETS

Fits Euro, Grohe, Pfister, Sterling, Carefree & Valley

- Two spray patterns (jet & full spray)
- Quick and easy installation
- Kink resistant hose
- 1.5 GPM



Carded Stk. No.	Description
10339	Pull-Out Hose w/ Quick Connect Adapters Only
10408	Pull-Out Kitchen Faucet Sprayer Only <i>Chrome</i>
10415	Pull-Out Kitchen Faucet Sprayer Only <i>White</i>
10409	Pull-Out Kitchen Faucet Sprayer Only <i>Brushed Nickel</i>



iMATCH SPRAY HEADS

SMART SPRAY

- Universal pull-down replacement spray head
- Fits Moen, Delta, Glacier Bay, AquaSource, Kohler, Pfister and Oakbrook brands
- Easy installation on existing kitchen faucet
- 1.5 GPM



Stk. No.	Description
----------	-------------

- | | |
|-------|------------------------------------|
| 10723 | Smart Spray <i>Chrome</i> |
| 10724 | Smart Spray <i>Stainless Steel</i> |

PREMIUM SIDE SPRAY HEADS

- Includes Guide
- Universal



Stk. No.	Description
----------	-------------

- | | |
|-------|--|
| 10336 | Premium Side Spray Head <i>Chrome</i> |
| 10337 | Premium Side Spray Head <i>Brushed Nickel</i> |
| 10338 | Premium Side Spray Head <i>Oil Rubbed Bronze</i> |

CLASSIC SIDE SPRAY HEADS

- Includes Guide
- Universal



Stk. No.	Description
----------	-------------

- | | |
|-------|---|
| 10334 | Classic Side Spray Head <i>Chrome</i> |
| 10335 | Classic Side Spray Head <i>Brushed Nickel</i> |

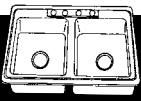
TRANSITIONAL SIDE SPRAY HEADS

- Includes Guide
- Universal



Stk. No.	Description
----------	-------------

- | | |
|-------|---------------------------------------|
| 10330 | Side Spray Head <i>Chrome</i> |
| 10332 | Side Spray Head <i>Brushed Nickel</i> |



SINK & LAV REPAIRS

SINK & LAV

REPAIRS

ECONOMY SIDE SPRAY HEADS

- Includes Guide
- Universal



Stk. No. Description

10345	Side Spray Head <i>Black</i>
10346	Side Spray Head <i>White</i>

SPRAY HEADS



80760

88740



88760

89270

Stk. No. Card Stk. No. Description

36246Q	80760	Spray Head Only <i>Black</i>
—	88740	Spray Head Only <i>White</i>
—	88760	Spray Head Only <i>Chrome</i>
—	89270	Universal Spray Head <i>Brushed Nickel</i>

UNIVERSAL SPRAY HEAD & HOSE ASSEMBLY



80762

16560



88814

Stk. No.	Card Stk. No.	Description
36247Q	80762	Universal Spray Head & Hose Assembly <i>Black</i>
—	16560	Universal Spray Head & Hose Assembly <i>White</i>
—	88814	Universal Spray Head & Hose Assembly <i>Chrome</i>

UNIVERSAL SINK SPRAY HOSE



10340

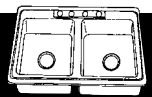
10341

80761

Carded Stk. No. Description

10340	Premium Side Spray Hose <i>w/Quick Connect Adaptors</i>
10341	Economy Side Spray Hose
80761	Universal Sink Spray Hose <i>Clear</i>

SINK & LAV REPAIRS

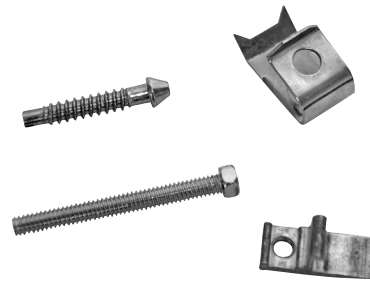


SINK & LAV

CLIPS AND SCREWS

SINK CLIPS

- For use with "J" or "U" Channel Sinks
- Includes extra long screws for thick countertops (4 of each)



Stk. No.	Description
----------	-------------

10530	Sink Clip
-------	-----------

SINK CLIP PACKS



88950
Sink Clip Pack for American Standard

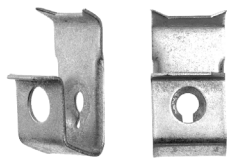


88951
Sink Clip Pack for Kinkead

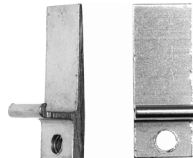
Stk. No.	Description
----------	-------------

88950	Sink Clip Pack for American Standard Contains (4) each: 52509 & 52517
88951	Sink Clip Pack for Kinkead Contains (4) each: 52509 & 52519

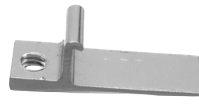
SINK CLIPS, SCREWS and CAPS



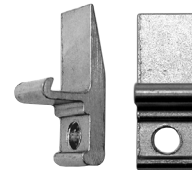
52512
Ref #1



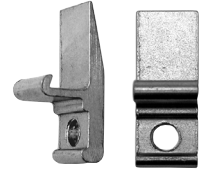
52513
Ref #2



52516
Ref #5

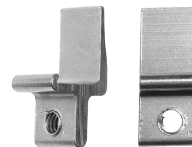


52517
Ref #6

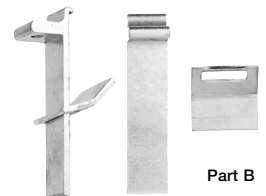


52518
Ref #7

Bagged Stk. No.	Carded Stk. No.	Ref. No.	Description
52512B, K	—	1	Sink Clip for Elkay
52513B, K	—	2	Sink Clip (9/16" Width)
—	52537		Contains (12) each: 52511 & 52512
52516B, K	—	5	Sink Clip (7/16" Width)
52517B	—	6	Sink Clip for American Standard
52518B	—	7	Sink Clip for Kinkead
52519B, K	—	8	Sink Clip for Kinkead
52520B, K	—	9	Adjustable Sink Clip used on Tile Countertops (2 pieces, <i>both required</i>)
—	88488		Contains (4): 52520
52509B, K, Z	—	11	1/4" Screw
52511B, K, Z	—	13	Self Rimming Screw



52519
Ref #8



52520
Ref #9
Part A



52509
Ref #11



52511
Ref #13

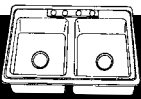
LAVATORY BASIN WALL HANGER

- Used to hang wall-mount style lavatory sinks
- 2 per card



Carded Stk. No.

88735



SINK & LAV REPAIRS

DISHWASHER AND DISPOSAL REPAIRS

COMPLETE DISHWASHER AIR GAP

- Prevents waste from backing up into dishwasher
- No moving parts

You can install this dishwasher air gap in almost the time it takes to read about it!

To install the DANCO Dishwasher Air Gap, simply adjust the Hex nut to allow for sink top thickness, and connect the inlet tube to the dishwasher pump line. Push the stem through the sinkhole. (Allow approximately 1/2" of threaded section to project above the sink top). Connect the 3/4" elbow end to either the waste line or disposer head. Screw on the plastic cap, then press on the cover.



Carded
Stk. No. Description

10568	Plastic – Less Cap
10569	Plastic with <i>Chrome</i> Cap

REPLACEMENT PARTS FOR DECK DISHWASHER AIR GAPS



Air Gap Cap

Carded
Stk. No. Description

10566	Air Gap Cap <i>Chrome</i>
10565	Air Gap Cap <i>White</i>
10567	Air Gap Cap <i>Brushed Nickel</i>

REVERSIBLE DISPOSAL STRAINER



- Prevents utensils, etc. from falling into disposals
- Keeps drain open while working at sink
- Fits most disposals



Carded
Stk. No. Description

10427	Kitchen Garbage Disposal Strainer
-------	-----------------------------------

UNIVERSAL SINK & GARBAGE DISPOSAL STOPPER



- Fits all sink & garbage disposal drains
- 4" O.D.



Carded
Stk. No. Description

10426	Universal Sink & Garbage Disposal Stopper
-------	---

GARBAGE DISPOSAL SPLASH GUARD



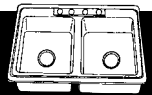
- 3 7/8" O.D.
- Black rubber
- Fits most garbage disposals



Carded
Stk. No. Description

10428	Garbage Disposal Splash Guard
-------	-------------------------------

SINK & LAV REPAIRS



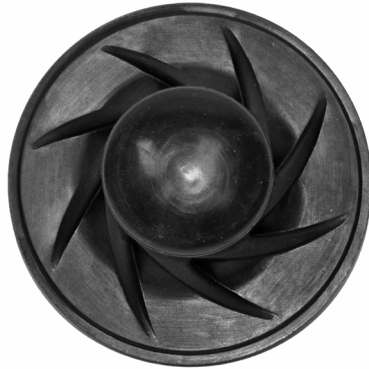
SINK & LAV

DISHWASHER AND DISPOSAL REPAIRS

REPAIR PARTS FOR IN-SINK-ERATOR



(80348)
Tailpiece Gasket



10429

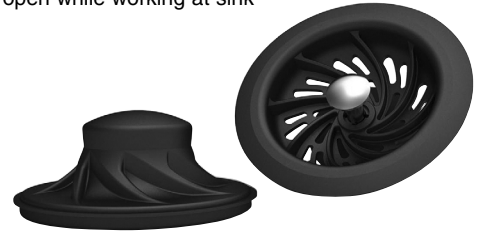


Carded Stk. No.	OEM Part No.	Description
80348	1470	Waste Bend Tailpiece Gasket
10429	2433	Plastic Stopper <i>Black</i>

BASKET STRAINER / STOPPER COMBO



- Decorative Accents to your kitchen
- Keeps drain open while working at sink
- Universal fit



Carded Stk. No.	Description
10009	Basket Strainer/Stopper Combo

DISPOSAL GENIE™



- Fits most disposals
- Prevents utensils, etc. from falling into disposals
- Disposal can run freely with Genie in place



Carded Stk. No.	Description
10051	Disposal Genie <i>Black</i>

DISPOSAL GENIE DISPLAY UNIT



10450



10451

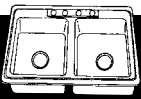


10452



10453

Carded Stk. No.	Description
10458	Disposal Genie Counter Display
10450	Disposal Genie <i>Black</i>
10451	Disposal Genie <i>Red</i>
10452	Disposal Genie <i>Blue</i>
10453	Disposal Genie <i>Green</i>



SINK & LAV REPAIRS

GARBAGE DISPOSAL REPAIRS

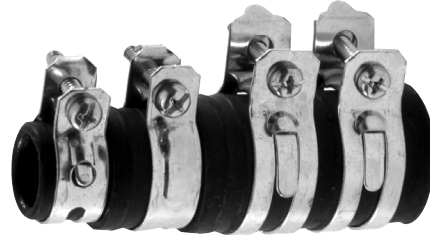
TAILPIECE FOR IN-SINK-ERATOR WITH GASKET



Carded Stk. No.	Description
88441	1½" x 8"

UNIVERSAL DISHWASHER/DISPOSAL CONNECTOR

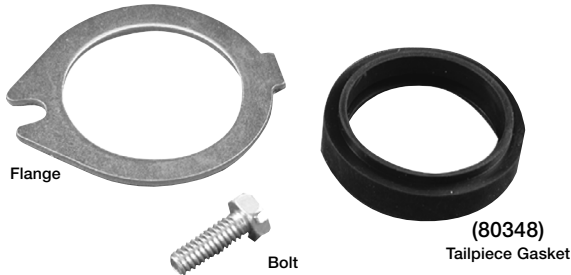
- Installs Quickly and Easily
- Simply Cut the Rubber Adapter at Required Diameter and Attach with the Correct Size Clamp



Carded Stk. No.	Description
80935	

REPAIR KIT FOR IN-SINK-ERATOR GARBAGE DISPOSALS

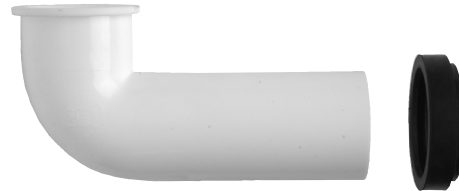
Models 333, 17 & 77



Carded Stk. No.	Description
88002	Complete Repair Kit (<i>Flange, Bolt & Gasket</i>)
80348	Waste Bend Tailpiece Gasket

DISPOSER ELBOW FOR IN-SINK-ERATOR

- 1½" O.D. x 4¾"



Bagged Stk. No.	Carded Stk. No.	Description
73187	—	1½" x 4¾"

DISPOSAL BEND FOR WASTE KING

- White PVC
- Slip Joint Style
- 1½" x 8"



Bagged Stk. No.	Carded Stk. No.	Description
54666	—	1½" x 8"

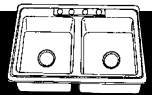
TAILPIECE ELBOW FOR IN-SINK-ERATOR

- Black ABS
- Solvent Weld
- 1½" O.D. x 4¾"



Carded Stk. No.	Description
88003	1½" x 4¾"

SINK & LAV REPAIRS

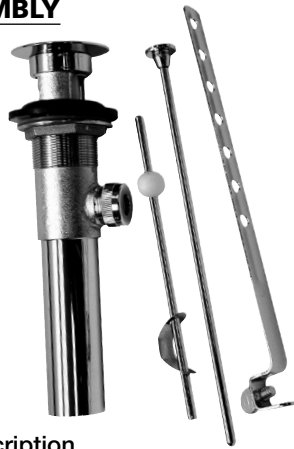


SINK & LAV

LAVATORY DRAIN ASSEMBLIES AND POP-UPS

BRASS POP-UP ASSEMBLY

- 1/4" O.D. Drain Tee
- Chrome-Plated Brass



Bagged Stk. No.	Carded Stk. No.	Description
-----------------	-----------------	-------------

50654Q	86780	Chrome
--------	-------	--------

New Designer Finishes:

—	89212	Brushed Nickel
---	-------	----------------

STEEL BASIN DRAIN with STOPPER

- Two-Piece Style
- Includes Stopper & Chain



Carded Stk. No.	Description
-----------------	-------------

86781	1/4" x 5" 22 Gauge Chrome Finish
-------	----------------------------------

86782	1/4" x 8" 22 Gauge Chrome Finish
-------	----------------------------------

ABS LAVATORY POP-UP ASSEMBLIES

Fits 90% of All Lavatories



Carded Stk. No.	Description
-----------------	-------------

80767	Complete Pop-Up Assembly Chrome Plated
-------	--

80885	Complete Pop-Up Assembly Polished Brass Plated
-------	--

88651	Ball Rod Only with clip + nut
-------	-------------------------------

EZ CONNECT POP-UP DRAIN

- Fits all drains
- Fewer parts/less complication
- Includes removable stopper with hair catcher
- EZ Connect arm easily wraps over rod



Stk. No.	Description
----------	-------------

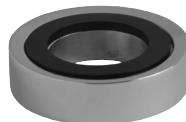
10691X	EZ Connect Pop-Up Drain Plastic Chrome
--------	--

10692X	EZ Connect Pop-Up Drain Metal Chrome
--------	--------------------------------------

10693X	EZ Connect Pop-Up Drain Plastic Brushed Nickel
--------	--

10695X	EZ Connect Pop-Up Drain Metal Brushed Nickel
--------	--

DECORATIVE DRAINS



89469

Stk. No.	Description
----------	-------------

89459	Pushbutton Drain w/Overflow Chrome
-------	------------------------------------

89460	Pushbutton Drain w/Overflow Brushed Nickel
-------	--

89461	Pushbutton Drain less/Overflow Chrome
-------	---------------------------------------

89462	Pushbutton Drain less/Overflow Brushed Nickel
-------	---

89469	Umbrella Drain Chrome
-------	-----------------------

89467	Umbrella Drain Brushed Nickel
-------	-------------------------------

89463A	Grid Drain Chrome
--------	-------------------

89488A	Grid Drain Brushed Nickel
--------	---------------------------

89489	Mounting Ring Chrome
-------	----------------------

89490	Mounting Ring Brushed Nickel
-------	------------------------------



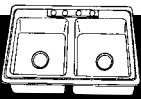
89459



89469



89463A



SINK & LAV

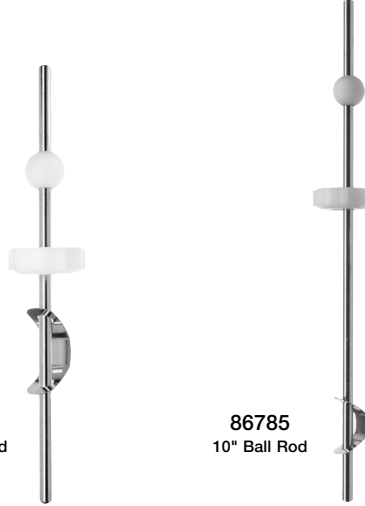
SINK & LAV REPAIRS

BALL RODS AND REPAIR PARTS

BALL RODS and REPAIR PARTS



34814B
Pivot Seat & Gasket for Delta



86783
6" Ball Rod

86785
10" Ball Rod

Bagged Stk. No.	Carded Stk. No.	Part No.	Description
34814B	—	—	Pivot Seat & Gasket for Delta
—	86783	941-652	6" Ball Rod Assembly
—	86785	—	10" Ball Rod Assembly

UNIVERSAL PULL ROD

Replaces Most Existing Lavatory Lift Rod Extensions



88961
12" Upper Lift Rod

81075
Complete Pull Rod Assembly

Carded Stk. No.	Description
81075	Pull Rod Assembly $\frac{3}{16}$ " x 12"
88961	12" Upper Lift Rod

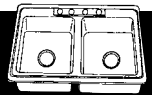
UNIVERSAL STYLE BALL ROD ASSEMBLY

- Replaces Most Existing Lavatory Ball Rod Assemblies
- Eliminates Waste and Reduces Inventory
- Includes:
 - (1) 6" Brass Rod
 - (3) Balls
 - (2) Cone Washers



Carded Stk No.
88532

SINK & LAV REPAIRS



SINK & LAV

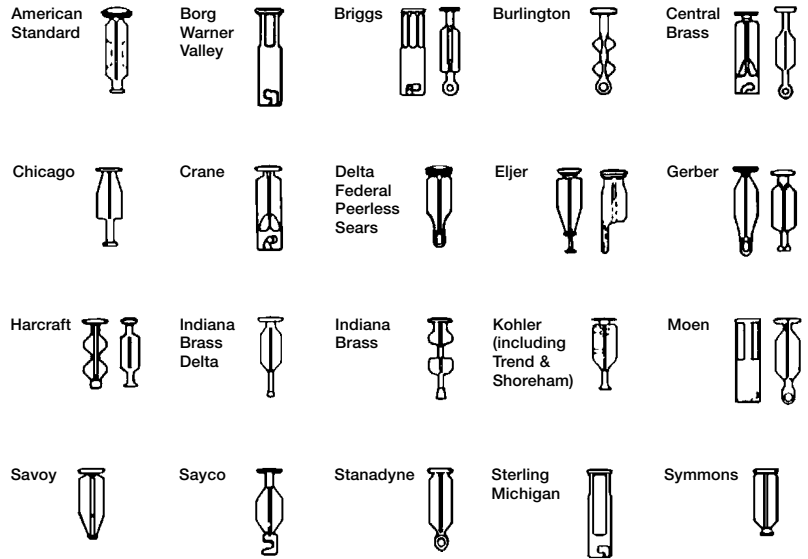
BALL RODS, REPAIR PARTS & POP-UPS

UNIVERSAL REPLACEMENT POP-UP STOPPER

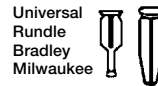


10555
Extended Tab

REPLACES THE FOLLOWING LAVATORY STOPPERS



Carded Stk. No.	Description
80418	Chrome
88430	Polished Brass
89257	PVD Brushed Nickel
10555	Pop-Up Stopper Chrome
10749	Pop-Up Stopper Oil Rubbed Bronze



Union Brass, Royal Brass, Streamway, Borg Warner, Gopher, Valley, Michigan Brass, Universal Rundle



REPLACEMENT STOPPER FOR AMERICAN STANDARD



Carded Stk. No.
80379

REPLACEMENT STOPPER FOR DELTA

15-16



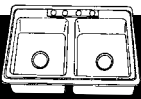
Carded Stk. No.
88057

REPLACEMENT STOPPER FOR SINCLARE / PFISTER

Series 41 Flo Matic
Series 49 Verve
Marquis, 43



Bagged Stk. No.	Carded Stk. No.	Description
38491Q	80381	Chrome
—	88956	Polished Brass



SINK & LAV

SINK & LAV REPAIRS

POP-UP NUTS, CLIPS, NUTS AND WASHERS

REPLACEMENT FOR AMERICAN STANDARD



34621
Gasket

Stk. No.	Part No.	Description
34621B	829	Gasket for Lavatory Pop-Up

REPLACEMENT FOR GERBER



Stk. No.	Part No.	Description
34667K	90-833	Nut for Lavatory Pop-Up

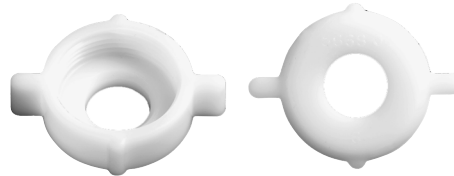
REPLACEMENT FOR MOEN / STANADYNE



34727
Washer

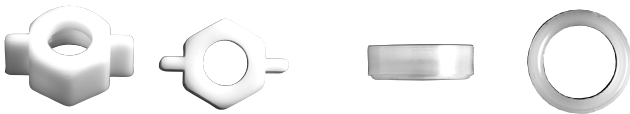
Stk. No.	Part No.	Description
—	10717	Nut
34727B	10729	Washer

REPLACEMENT FOR PFISTER



Bagged Stk. No.	Part No.	Description
34600B, K	941-410	Pivot Nut <i>Plastic</i>

REPLACEMENT FOR SAVOY



34695
Nut

34756
Washer

Stk. No.	Part No.	Description
34695B, K	1755	Plastic Nut
34756B, K	1458	Washer

REPLACEMENT STOPPER GASKETS



80347

Carded Stk. No.	Description
80347	Delta

LAVATORY POP-UP LOCKNUTS



50658

Bagged Stk. No.	Description
50658B	2" x 1 1/4" Die-Cast

POP-UP CLEVIS CLIPS

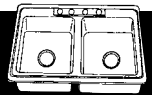


34807



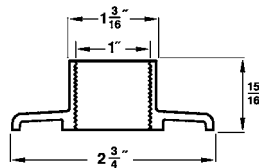
34808

Bagged Stk. No.	Carded Stk. No.	Description
34807B, K	—	Small Hole
34808B, K	—	Large Hole
—	88979	Includes (1) Each: 34807 & 34808



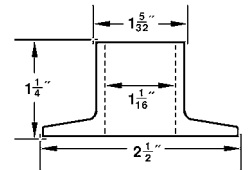
ESCUTCHEONS

REPLACEMENT LAVATORY ESCUTCHEON FOR STREAMWAY



Carded	OEM	Stk. No.	Part No.	Description
		88183	970-4	Handle Escutcheon

REPLACEMENT WIDESPREAD LAVATORY ESCUTCHEON FOR PFISTER



Carded	OEM	Stk. No.	Part No.	Description
		80608	960-160A	Handle Escutcheon <i>Chrome</i>

COMPLETE FAUCET REMODELING KITS

COMPLETE KIT FOR AMERICAN STANDARD HERITAGE FAUCETS with METAL HANDLES

Kit Includes:

- 2 Complete Handles
- 2 Stems
- 2 Seats



Stk. No.	Description	Quantity
39673E	Complete Remodeling Kit American Standard <i>Heritage</i> Faucets	

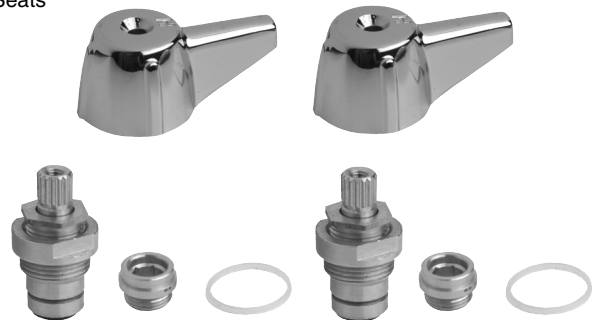
Kit Includes:

—	Handles (<i>Pair</i>)	1
—	2K-2H <i>Hot Stem</i>	1
—	2K-2C <i>Cold Stem</i>	1
—	#20 Seat	2

COMPLETE KIT FOR CENTRAL BRASS FAUCETS with METAL LEVER HANDLES

Kit Includes:

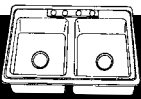
- 2 Complete Handles
- 2 Stems
- 2 Seats



Stk. No.	Description	Quantity
39674E	Complete Remodeling Kit Central Brass Faucets	

Kit Includes:

—	Handles (<i>Pair</i>)	1
—	1C-6H <i>Hot Stem</i>	1
—	1C-6C <i>Cold Stem</i>	1
—	#7 Seat	2



SINK & LAV REPAIRS

SINK & LAV

COMPLETE FAUCET REMODELING KITS

COMPLETE KIT FOR DELTA/DELEX FAUCETS with CLEAR ACRYLIC HANDLES

Kit Includes:

- 2 Complete Handles
- 2 Stems
- 2 Rubber Seats
- 2 Springs

Stk. No.	Description	Quantity
----------	-------------	----------

39675	Complete Remodeling Kit Delta/Delex Faucets	
-------	--	--

Kit Includes:

- | | | |
|---|------------------------|---|
| — | Handles (Pair) | 1 |
| — | 3S-2H/C Hot/Cold Stems | 2 |
| — | Seats & Springs | 2 |



COMPLETE KIT FOR DELTA/DELEX FAUCETS with CLEAR ACRYLIC HANDLES

Kit Includes:

- 2 Complete Handles
- 2 Stems
- 2 Seats
- 2 Springs

Stk. No.	Description	Quantity
----------	-------------	----------

39691	Complete Remodeling Kit Delta/Delex Faucets	
-------	--	--

Kit Includes:

- | | | |
|---|------------------------|---|
| — | Handles (Pair) | 1 |
| — | 3S-9H/C Hot/Cold Stems | 2 |
| — | Seats & Springs | 2 |



COMPLETE KIT FOR GERBER FAUCETS with METAL LEVER HANDLES

Kit Includes:

- 2 Complete Handles
- 2 Stems
- 2 Seats

Stk. No.	Description	Quantity
----------	-------------	----------

39676E	Complete Remodeling Kit Gerber Faucets	
--------	---	--

Kit Includes:

- | | | |
|---|-----------------|---|
| — | Handles (Pair) | 1 |
| — | 1B-2H Hot Stem | 1 |
| — | 1B-2C Cold Stem | 1 |
| — | #28 Seat | 2 |



COMPLETE KIT FOR PFISTER VERVE FAUCETS with METAL HANDLES

Kit Includes:

- 2 Complete Handles
- 2 Stems
- 2 Seats

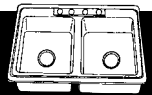
Stk. No.	Description	Quantity
----------	-------------	----------

39679E	Complete Remodeling Kit Pfister Verve Faucets	
--------	--	--

Kit Includes:

- | | | |
|---|------------------------|---|
| — | Handles (Pair) | 1 |
| — | 2H-1H/C Hot/Cold Stems | 2 |
| — | #39 Seat | 2 |





COMPLETE FAUCET REMODELING KITS

COMPLETE KIT FOR PFISTER *WINDSOR* FAUCETS with CLEAR ACRYLIC HANDLES

Kit Includes:

- 2 Complete Handles
- 2 Stems
- 2 Seats



Stk. No.	Description	Quantity
39685E	Complete Remodeling Kit Pfister <i>Windsor</i> Faucets	

Kit Includes:

—	Handles (<i>Pair</i>)	1
—	2H-1H/C <i>Hot/Cold Stems</i>	2
—	#39 Seat	2

COMPLETE KIT FOR STANADYNE FAUCETS with CLEAR ACRYLIC HANDLES

Kit Includes:

- 2 Complete Handles
- 2 Stems



Stk. No.	Description	Quantity
39683	Complete Remodeling Kit Stanadyne Faucets	

Kit Includes:

—	Handles (<i>Pair</i>)	1
—	6S-1H/C <i>Hot/Cold Stems</i>	2

COMPLETE KIT FOR VALLEY II FAUCETS with CLEAR ACRYLIC HANDLES

Kit Includes:

- 2 Complete Handles
- 2 Stems
- 2 Seats & Springs



Stk. No.	Description	Quantity
39684	Complete Remodeling Kit Valley II Faucets	

Kit Includes:

20429	Handles (<i>Pair</i>)	1
17312B	3Z-6H/C <i>Hot/Cold Stems</i>	2
31503	Seats & Springs (PAIR)	1

TUB & SHOWER REPAIRS

TUB & SHOWER

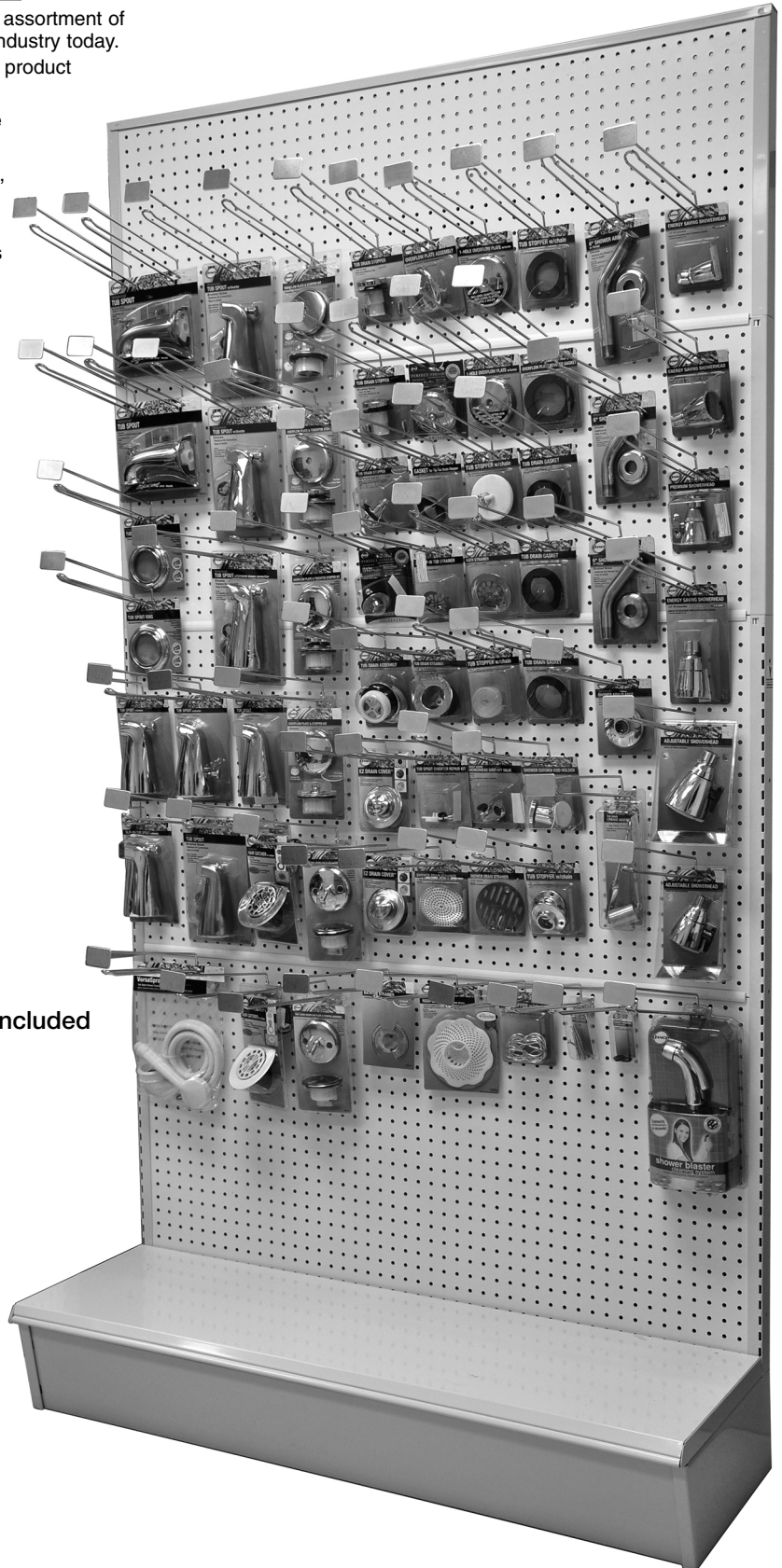


TUB & SHOWER REPAIR ASSORTMENTS

TUB & SHOWER REPAIR ASSORTMENTS

DANCO Perfect Match has the most comprehensive assortment of Tub & Shower Repair Parts and Accessories in the industry today. These Assortments feature an extensive selection of product effectively packaged and merchandised

- Contains Tub & Shower Repair Parts in 4' of space
- Includes all of the "most asked for" repair parts: shower heads and arms, tub spouts, tub face plate, handheld shower assemblies, etc.
- Attractive packaging includes both category and graphic icon to lead the consumer to the right parts



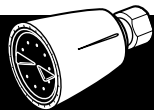
Gondola Not Included

Stk. No. Description

81178A	4' Tub & Shower Repair 1 each of featured products
81188A	4' Tub & Shower Repair 3 each of featured products

FREE MERCHANDISING SYSTEM COMPONENTS

- Aisle Flag
- Header
- Scan Tag Labels
- Planogram



TUB & SHOWER

TUB & SHOWER REPAIRS

BATH HANDLE FLANGES

END YOUR ESCUTCHEON PROBLEMS • ECONOMICAL • EASY TO USE • CUT YOUR INVENTORY

HANDLE FLANGES

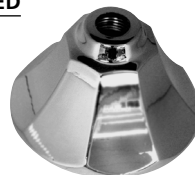
ALL HAVE NIPPLE INCLUDED



Product	Carded	
Stk. No.	Stk. No.	Description
38068Q	—	Adjustable Style Flange <i>Chrome</i>

BRAND SPECIFIC HANDLE FLANGES

NIPPLE INCLUDED



Bell Style

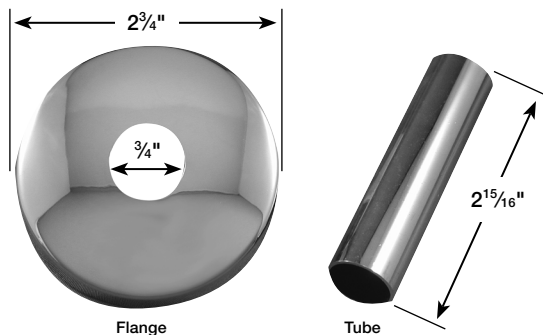


Adjustable Style

Carded	
Stk. No.	Description
80615	Bell Style Flange Fits: American Standard, Central & Speakman
80620	Adjustable Style Flange Fits: American Standard, Central & Speakman

REPLACEMENT BATH ESCUTCHEON SET FOR AMERICAN STANDARD COLONY

- 3/4" Flange with 2 15/16" Sleeve
- Fits Stems 9C-23H/C & 11C-3H/C



Carded	
Stk. No.	Description
80887	Escutcheon Set

UNIVERSAL TUBE & FLANGE



- Tube Threaded on both ends
- 4 Adapters that Fit most Faucet Stems
- 3" O.D. Flange with 1 1/4" I.D. and 3" Tube

Works with:
 American Standard, Central Brass,
 Crane, Gerber, Harcraft, Indiana Brass,
 Moen, Pfister, Sayco, Sterling,
 Streamway, Union Brass, Kohler



Stk. No.	Description
10307	Tube & Flange <i>Chrome</i>
10308	Tube & Flange <i>Brushed Nickel</i>
10309	Tube & Flange <i>Oil Rubbed Bronze</i>

BATH FLANGE & NIPPLE



- 2 Nipples with Multiple Thread Options
- Sleeve Adapts Flange to Cover Multiple Lengths
- 2 7/8" O.D. Flange



Works with:
 Crane, Kohler, Pfister, Royal Brass,
 American Brass, Briggs,
 Dick Brothers, Gerber, Sayco,
 Sterling, Union Brass, Central,
 Speakman, American Standard, Savoy

Stk. No.	Description
10311	Flange & Nipple <i>Chrome</i>
10313	Flange & Nipple <i>Brushed Nickel</i>
10314	Flange & Nipple <i>Oil Rubbed Bronze</i>

REPLACEMENT BATH FLANGE FOR CENTRAL BRASS

- Fits Stems 10L-11H/C & 10L-13D



Carded		
Stk. No.	OEM#	Description
88865	521B	Handle Flange

TUB & SHOWER REPAIRS

TUB & SHOWER



OEM STYLE BATH FLANGES

REPLACEMENT BATH ESCUTCHEON SET FOR DELTA

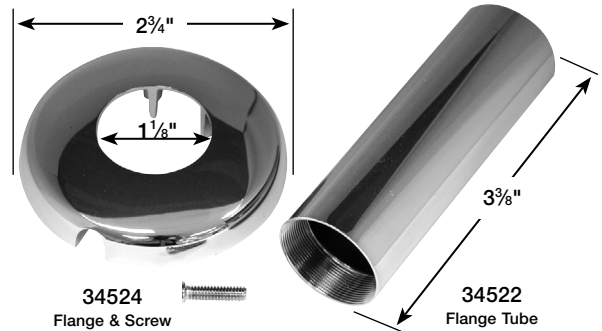
- 2 Nipples with Multiple Thread Options
- Threaded Tube Flange to Cover Multiple Lengths
- 2 7/8" O.D. Flange



Stk. No.	Description
10765	Showers Flange and Tube for Delta <i>Chrome</i>

REPLACEMENT BATH ESCUTCHEON SET FOR GERBER

- NOTE:** 34522 & 34524 Are Normally Used Together
- 1 1/8" Flange with 3 3/8" Tube
 - Also Fits: Briggs



Stk. No.	Description
10307	Universal Tube & Flange

REPLACEMENT SHOWER FLANGE FOR HARCRAFT

- Fits Stems 9G-2H/C & 9G-1D



Carded

Stk. No.	Description
23726	Handle Flange with Sleeve

REPLACEMENT BATH FLANGE & TUBE FOR INDIANA BRASS



Carded

Stk. No.	Description
28463	Handle Flange & Screw 1 1/8" Diameter
10307	Universal Tube & Flange

REPLACEMENT BATH HANDLE FLANGE FOR KOHLER *TREND & SHOREHAM*

- Also Fits: Michigan Brass



Carded

Stk.	OEM#	Description
80896	20851	Handle Flange w/ Set Screw

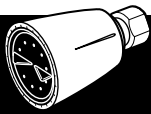
REPLACEMENT BATH ESCUTCHEON SET FOR PRICE PFISTER *CROWN IMPERIAL*

- 1 1/4" Flange
- Fits Stems: 9H-1 & 9H-3



Carded

Stk. No.	OEM#	Description
10307	—	Universal Tube & Flange
29004	960-151A	Handle Flange w/ Set Screw



TUB & SHOWER

TUB & SHOWER REPAIRS

OEM STYLE BATH FLANGES

REPLACEMENT BATH ESCUTCHEON SET FOR PRICE PFISTER VERVE

- Fits Stems: 12H-1, 12H-2,
12H-4 & 12H-18



Product Stk. No.	Carded Stk. No.	Part No.	Description
34547Q*	88457	960-111A	Escutcheon Set
<i>Set Contains (1) each:</i>			
—	88535	960-110A	Handle Flange
—	88395 (1)	972-100	Flange Nipple
	23810 (2)		

REPLACEMENT BATH ESCUTCHEON SET FOR PRICE PFISTER

- **Tear Drop Style**
- 1 1/16" Flange with 2 3/16" Tube
- Flange Nipple 5/8" x 18 Thread
- Fits Stems: 12H-1, 12H-2,
12H-4 & 12H-18



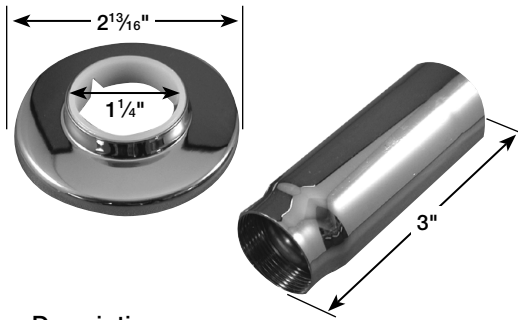
Carded Stk. No.	OEM#	Description
86571	960-081	Escutcheon Set

REPLACEMENT BATH ESCUTCHEON SET FOR SAYCO

Round Style

- 1 1/4" Flange with 3" Tube
- For Threaded Body Shower Valves
- Fits Stem: 9B-3H/C

UNIVERSAL

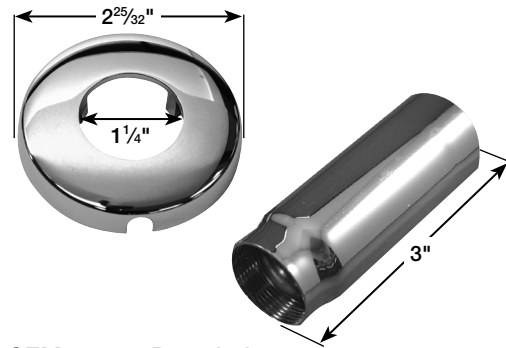


Carded Stk. No.	Description
10307	Universal Tube & Flange

REPLACEMENT BATH ESCUTCHEON SET FOR SAYCO

- 1 1/4" Flange with Set Screw and 3" Tube

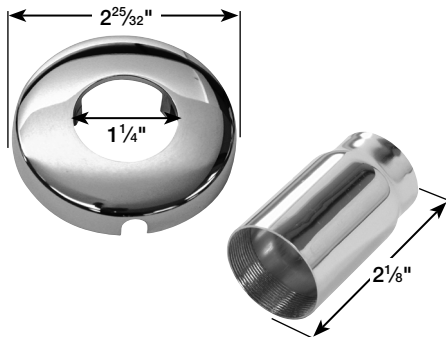
UNIVERSAL



Carded Stk. No.	OEM#	Description
10307	—	Universal Tube & Flange
29004	—	Handle Flange w/ Set Screw

REPLACEMENT BATH ESCUTCHEON SET FOR STERLING

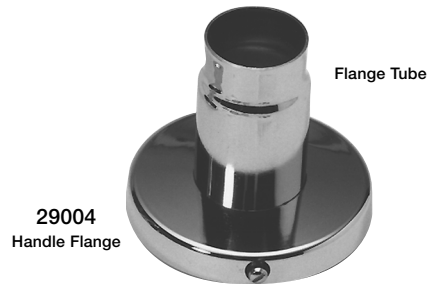
- 1 1/4" Flange with Set Screw and 2 1/8" Tube
- Fits Stem 10L-1



Carded Stk. No.	OEM#	Description
10307	—	Universal Tube & Flange
29004	8107	Handle Flange w/ Set Screw

REPLACEMENT BATH ESCUTCHEON SET FOR STERLING OLD STYLE

- 1 1/4" Flange with Set Screw and 2 1/8" Tube
- Fits Stem 10L-1H/C



Carded Stk. No.	OEM#	Description
80892	—	Escutcheon Set
29004	8107	Handle Flange w/ Set Screw

TUB & SHOWER REPAIRS

TUB & SHOWER



OEM STYLE BATH HANDLE FLANGES, NIPPLES & SCREWS

REPLACEMENT SHOWER FLANGE FOR STREAMWAY

Fits Stall Shower



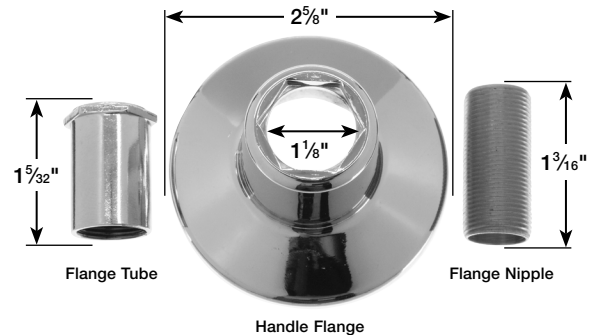
Carded

Stk. No. Description

88183 Handle Flange

REPLACEMENT BATH ESCUTCHEON SET FOR UNION BRASS

- Includes Flange, Tube and Nipple
- Fits Stem 7E-1



Carded

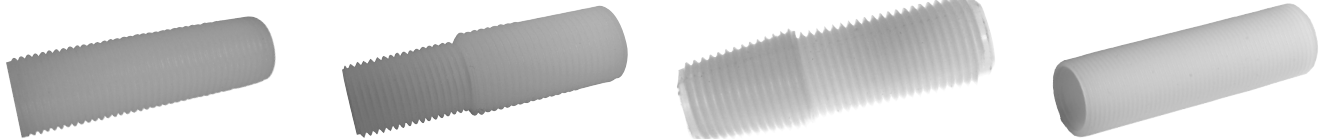
Stk. No. Part No. Description

80897 — Escutcheon Set

MOLDED HANDLE FLANGE NIPPLES

BRAND SPECIFIC and UNIVERSAL FIT

Packaged (1) per Bag or (1) or (2) per Card, as indicated



23790
5/8" x 18T

38054Z
(23792)
5/8" x 18T x 9/16" x 20T

38056
(80630)
Universal

38055Z

Bagged Stk. No.	Carded Stk. No.	# per Card	Description
—	23790	(2)	Molded Escutcheon Nipple 5/8" x 18T <i>Fits:</i> Arrowhead, Crane, Kohler <i>Old Style</i> , Price Pfister & Royal Brass
38054Z	23792	(2)	Molded Reducing Escutcheon Nipple 5/8" x 18T to 9/16" x 20T <i>Fits:</i> American Standard, Central & Speakman
38055Z	—	(2)	Molded Escutcheon Nipple 5/8" x 24T <i>Fits:</i> American Brass, Briggs, Dick Brothers, Grand Haven, McDonald, Queen City, Sayco, Sterling, Salter & Union Brass
38056B	80630	(1)	Molded Tapered Escutcheon Nipple <i>Universal Fit</i>

UNIVERSAL LEXAN® NIPPLE

- Tapered Threads for American Standard and Sayco
- Adjustable from 1 1/4" to 3 1/4", Cut-to-Length



Product

Stk. No. Description

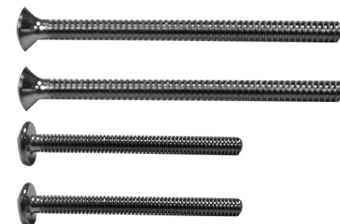
38052B 1 per Card

LEXAN® is a registered trademark of General Electric

REPLACEMENT ESCUTCHEON SCREWS FOR DELTA & MOEN

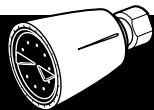
FOR DELTA & MOEN

- Chrome Plated
- Includes 2 long Screws for Delta
2 Short Screws for Moen



Stk. No. Description

28966 Escutcheon Screws for Delta & Moen



TUB & SHOWER

TUB & SHOWER REPAIRS

BATH & SHOWER REPAIR PARTS

ADJUSTABLE SHOWER CURTAIN ROD HOLDER

- Plated ABS
- Pressure Sensitive Backing



Carded Stk. No.	Description
80924	1 Set per Card

SHOWER CURTAIN ROD HOLDERS

- For Standard 1" Diameter Shower Rods
- Mounting Screws Included



Carded Stk. No.	Description
88214	2 per Card

SHOWER CURTAIN HOOKS

- Chrome Plated
- Use on Standard 1" Diameter Shower Rods
- Packed 12 per Card



Carded Stk. No.	Description
89046	

SHOWER STALL DOOR SEALS

Both Fit Sterling Shower Doors



88704 Flat Door Seal

88705 Hollow Door Seal

Carded Stk. No.	Description
88704	5/8" x 38" Flat Seal for Standard Swinging Shower Doors
88705	3/8" x 48" Hollow Seal for Designer Pivot Shower Doors

OVAL SHOWER DOOR ROLLERS

- Ball Bearing Construction • Nylon Wheel
- Hub Diameter is 7/16" and Extends From Back 1/8"
- Center Hole 8-32 Threaded
- 1 per Bag



Bagged Stk. No.	Wheel Diameter
64652B	7/8"
64654B	3/4"
69743B	7/8" (Heavy Duty)

BATH OVERFLOW PLATE SCREWS

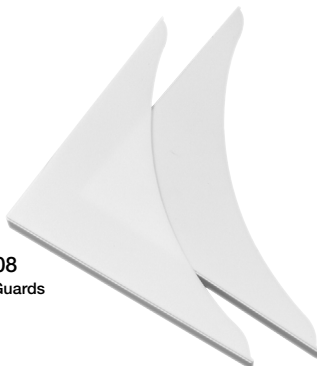
- 1 1/2" x 1/4" x 20 Thread
- Packaged (1) per Bag (2) per Card



Carded Stk. No.	Description
88933	Chrome Plated Brass

SHOWER GUARDS

- Stops After Shower Mop-Ups!
- Protects Walls & Floor
- Packaged in Pairs

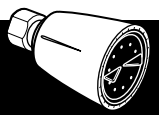


88108 Shower Guards

Carded Stk. No.	Diameter
88108	7" High White

- Tough Durable Construction
- Easily Installs in Minutes with No Tools Required
- Pressure Sensitive Backing
- Prevents Tile or Other Flooring From Loosening and Rotting... and the Resulting Damage Done to Ceiling Below
- Helps Prevent Costly Repairs

TUB & SHOWER REPAIRS



TUB & SHOWER

BATH & SHOWER REPAIR PARTS

WHITE RUBBER STOPPERS

- With Split-Type Ring
- Long Wearing
- Stain Proof

Bagged Stk. No.	Carded Stk. No.	Description
35973B	81068	7/8"
35974B	80223	1"
—	80224	1 1/8"
35976B	80225	1 1/4"
—	80226	1 3/8"
35978B	80227	1 1/2"
35979B	80228	1 5/8"
35980B	88272	1 3/4"
35981B	—	1 7/8"



UNIVERSAL RUBBER STOPPERS

- With Split-Type Ring
- Carded Version Includes Beaded Chain



Carded Stk. No.	Description
80784	Universal Basin Stopper Fits 1" to 1 3/8"
80783	Universal Tub Stopper Fits 1 1/2" to 2"

BEADED CHAIN and RING FOR STOPPERS

- With Style "A" Couplings
- #10 Chain



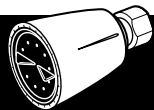
Carded Stk. No.	Description
80038	11" Chain for Lavatory
80039	15" Chain for Tub
—	3/4" Ring Only

COMPLETE PLASTIC TUBULAR BATH WASTE & OVERFLOW

- Available in 3 Styles
- Boxed



Bagged Stk. No.	Type	Finish
51932	Trip Lever	White Plastic <i>Chrome</i>
51933	Twist 'N' Close	White Plastic <i>Chrome</i>
51930	EZ Touch	White Plastic <i>Chrome</i>



TUB & SHOWER

TUB & SHOWER REPAIRS

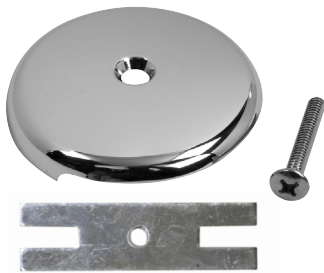
OVERFLOW PLATES & TUB / SHOWER DRAIN REPAIRS

BATH OVERFLOW PLATES

- Chrome Plated
- Complete with Screws
- Screw Holes 2" Center-to-Center On All Plates



Round with Lever



Fits 1 & 2 Hole



Round 1-Hole



Overflow Plate Assembly for Pfister

Bagged Stk. No.	Carded Stk. No.	Part No.	Description
36560Q*	80991	65	Round with Lever <i>Chrome</i>
—	89052	78	Round (One or Two-Hole) <i>Chrome</i>
—	88922	71	Round <i>Old Style</i> for Tubs with Clawfeet with 15' Chain for Rubber Stopper
—	88975		Overflow Plate Assembly <i>for Pfister</i>



Round Old Style

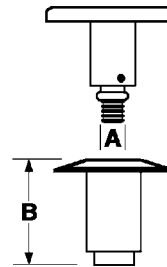
Also in Designer Finish:

—	89231	—	Round with Lever <i>Brushed Nickel</i>
—	89472	—	Round with Lever <i>Oil Rubbed Bronze</i>
—	89473	—	Round One-Hole w/ Adapter <i>Oil Rubbed Bronze</i>

REPLACEMENT STOPPERS FOR "RAPID-FIT" BATH DRAINS

To Determine Correct Replacement:

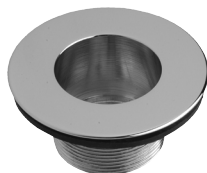
- 1 Measure the diameter of the threaded post (A)
- 2 Measure the height of the rubber sealing sleeve (B)
- 3 Select the proper replacement from the list below



Carded Stk. No.	"A"	"B"	Description
88195	5/16"	1 1/16"	Old Style Plastic & Brass Drain <i>Chrome</i>
88194	3/8"	1 1/16"	Plastic Drain <i>Chrome</i>
88196	3/8"	1 3/8"	Brass Drain <i>Chrome</i>

BATH SHOE

- Easy to Install



Bath Shoe



Gasket

Product Stk. No.	Carded Stk. No.	Description
50966	89204	Bath Shoe <i>Chrome</i>
37680B, W	88209	Cartridge Gasket 2 1/16" x 1" x 1/4"

TUB STOPPER

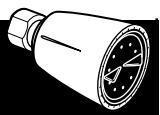
- Touch-Toe Design Pushes to Open and Close
- 2" Diameter to Accommodate your Drain
- Includes a 3/8" Screw Stud and a 5/16" Screw Stud



Product Stk. No.	Description
80811	Touch-Toe Stopper <i>Chrome</i>
10755	Touch-Toe Stopper <i>Brushed Nickel</i>
10756	Touch-Toe Stopper <i>Polished Brass</i>



TUB & SHOWER REPAIRS



TUB & SHOWER

DRAIN REPAIRS

EZ DRAIN COVER™

- Universal Fit Covering Existing Bath Drain Flange
- Replaces Lift & Turn, Touch Toe & Trip Lever Drains

UNIVERSAL



10528

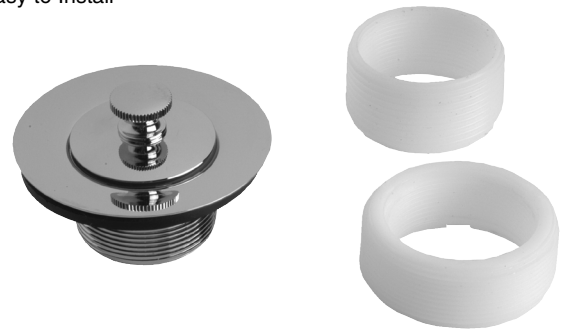


10534

Stk. No.	Description
10528	EZ Drain Cover <i>Chrome</i>
10534	EZ Drain Cover <i>Brushed Nickel</i>

LIFT & TWIST STYLE TUB DRAIN CONVERSION ASSEMBLY

- Complete Assembly Comes with: Stopper Cartridge / Bath Shoe / 2 Plastic Adapter Bushings
- Easy to Install



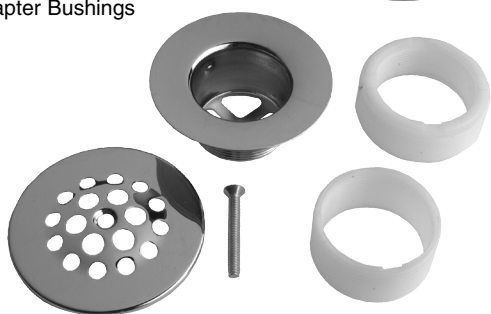
Product Stk. No.	Description
39029	Complete Drain Assembly <i>Chrome Plated</i>

STRAINER STYLE TUB DRAIN ASSEMBLY

Replaces Bath Drain Shoes for: American Standard, Eljer, Gerber, Pfister and others

- Fits Virtually All Sizes of Tub Openings
- Assembly Includes: Strainer Plate, Screw, Bath Shoe, 2 Molded Adapter Bushings

UNIVERSAL



Carded

Stk. No.	Description
88795	Complete Drain Assembly <i>Chrome Plated</i>

UNI-TRIP TUB STOPPER

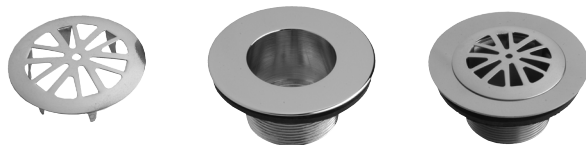
- Unique Toggle System Allows Drain To Be Opened and Closed With the Simple Push of a Toe or Finger
- One-Piece Construction...Made of Top Quality Engineering Plastic with Bright Chrome Plated Finish
- Fits 90% of All Existing Drains...Solves Virtually Every Plumber/Maintenance Person's Bath Drain Problems By Replacing the Most Popular Rocker Arm and Strainer-Type Bath Drain Assemblies
- Easy To Install...No Tools Required
- Simply Press Into Drain to Form a Watertight Seal

Fits the Following Manufacturers Bath Plug:

American Brass	Harcraft	Sanitary Dash
American Standard*	Indiana Brass	Savoy*
Bridgeport Brass	J & B Products	Speakman*
Crane	Kohler*	Sterling
Dearborn Brass	McGuire	Union Brass
Delta	Manufacturing Co.	Watco Plastics, Inc.
Duracraft Plastic, Inc.	Milwaukee	Wolverine Brass
Eljer	Moen	<i>Plus other Brass</i>
Frost	Price Pfister*	<i>Good Manufacturers</i>
Gerber*	Royal Brass	<i>*Most Models</i>

TUB DRAIN ASSEMBLY FOR PRICE PFISTER

- Assembly Comes with: Strainer and Bath Shoe
- Polished Brass and Chrome Plated Brass
- 16" Threads per Inch



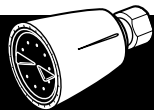
Carded

Stk. No.	Description
88927	Complete Assembly <i>Chrome</i>
88930	Strainer <i>Chrome</i>
89204	Bath Shoe <i>Chrome</i>



Carded

Stk. No.	Description
88636	Uni-Trip Tub Stopper



TUB & SHOWER

TUB & SHOWER REPAIRS

TUB & SHOWER DRAIN REPAIRS

OVERFLOW PLATE & EZ DRAIN COVER™ KITS

- Universal Fit Covering Existing Bath Drain Flange
- Replaces Lift & Turn, Touch Toe & Trip Lever Drains
- Includes Overflow Plates for 1 & 2 Hole Plates

UNIVERSAL



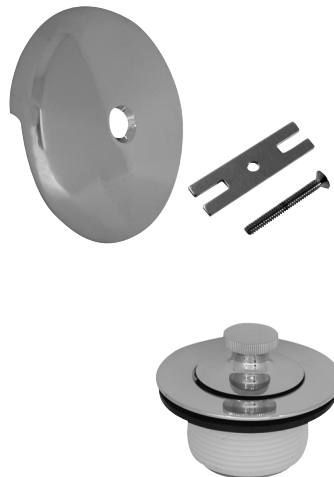
Stk. No. Description

10551	Overflow Plate & EZ Drain Cover Kit <i>Chrome</i>
10547	Overflow Plate & EZ Drain Cover Kit <i>Brushed Nickel</i>

LIFT & TWIST STYLE TUB DRAIN ASSEMBLIES WITH OVERFLOW PLATE

- Assembly Includes: Stopper Cartridge, Overflow Plate, Bath Shoe, Plastic Adapter Bushing
- Easy to Install
- Includes Adapter for Replacing Plates with 2 Holes

UNIVERSAL



Carded

Stk. No. Description

88966	<i>Chrome</i>
89487	<i>Oil Rubbed Bronze</i>
89239	<i>Brushed Nickel</i>

LIFT & TWIST REPLACEMENT STOPPER

- For use in place of Foot Operated Stoppers made by: Rapid Fit (1200 Series), Sterling, Casper's, Duracraft
- Heavy Duty Solid Brass Stopper & Shaft
 - Two Thread Sizes: 5/16" on One End and 3/8" on the Other
 - Theft Resistant
 - Will Cover all Applications



Carded Stk. No. Description

88599	<i>Chrome</i>
89258	<i>Brushed Nickel</i>

TOUCH-TOE STYLE TUB DRAIN ASSEMBLIES WITH OVERFLOW PLATE & STOPPER

- Assembly Includes: Stopper Cartridge, Overflow Plate, Bath Shoe, Plastic Adapter Bushing
- Easy to Install
- Includes Adapter for replacing Plates with 2 Holes

UNIVERSAL

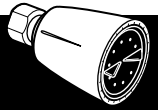


Carded

Stk. No. Description

88981	<i>Chrome</i>
89237	<i>Brushed Nickel</i>
89393	<i>Oil Rubbed Bronze</i>

TUB & SHOWER REPAIRS

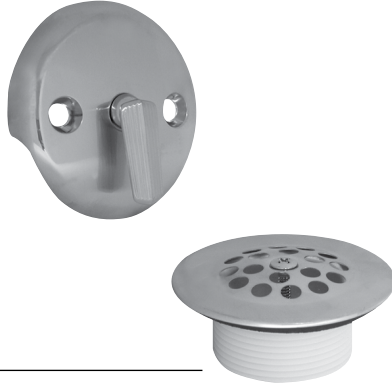


TUB & SHOWER

TUB & SHOWER DRAIN REPAIRS

TRIP LEVER STYLE TUB DRAIN ASSEMBLIES WITH OVERFLOW PLATE & GRID STRAINER

- Assembly Includes:
Grid Strainer, Overflow Plate, Bath Shoe, Plastic Adapter Bushing
- Easy to Install



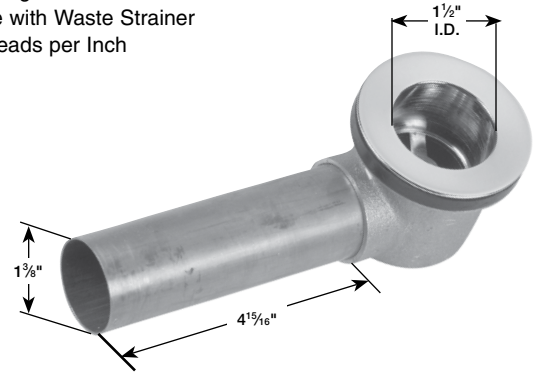
Carded

Stk. No. Description

80977	Chrome
10580	Oil Rubbed Bronze
89242	Brushed Nickel

WASTE SHOE

- Heavy Gauge Brass Construction
- Complete with Waste Strainer
- 11½" Threads per Inch



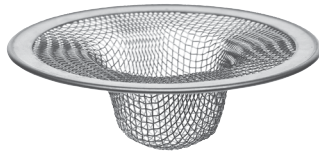
Carded

Stk. No.

86721

BATHTUB STRAINER

- Easy to Use - Prevents Clogged Drains
- Catches Hair, Lint, Soap, Paper, Small Toys, Bottle Caps
- Stainless Steel



Part No. Description

88821	Tub Drain Mesh Strainer
-------	-------------------------

UNIVERSAL HAIR CATCHER

- Prevents Clogged Drains in Tub
- Unique Finger Lift Allows for easy Removal & Cleaning

UNIVERSAL

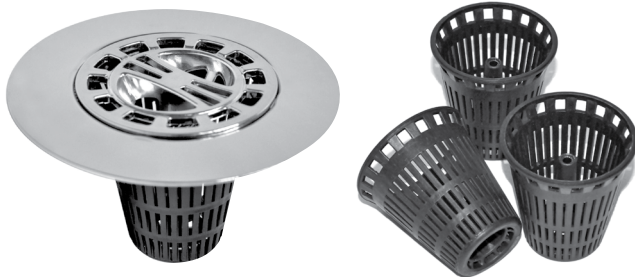


Stk. No. Description

10306	Hair Catcher
-------	--------------

HAIR CATCHER FOR SHOWER

- Universal fit in 4" or 4¼" Stall Shower Drains
- Refill Baskets available in 3 packs



Stk. No. Description

10529	Hair Catcher <i>Chrome</i>
10533	Hair Catcher <i>White</i>
10739	Basket Refills (3)

SHOWER DRAIN STRAINER

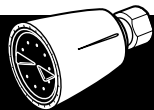
- Screw-In Style
- 3¾" Diameter
- Chrome Plated Brass



Carded

Stk. No. Description

88921	3¾" Strainer
-------	--------------



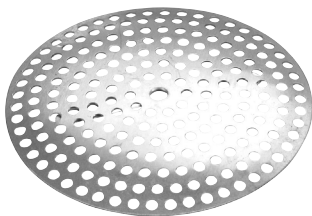
TUB & SHOWER

TUB & SHOWER REPAIRS

TUB & SHOWER DRAIN REPAIRS

SHOWER DRAIN STRAINER

- Clip Style
- 3 $\frac{3}{8}$ " Diameter



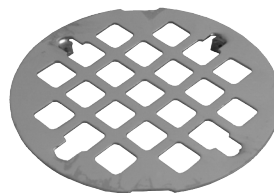
Carded

Stk. No. Description

88923 3 $\frac{3}{8}$ " Drain Cover

SHOWER DRAIN STRAINERS

- Snap-In Style
- Fits: Cast Iron, Plastic and Clay Tile Pipes
- Prongs Can Be Adjusted to Fit Drain



Carded

Stk. No. Description

89201 3 $\frac{1}{4}$ " Strainer *Stainless Steel*

89088 4 $\frac{1}{4}$ " Strainer *Stainless Steel*

BATH DRAIN COVER

- Snap-In Style
- Polished Stainless Steel



Carded

Stk. No. Description

89080 3" Diameter Fits 2" Pipe

89160 4" Diameter Fits 3" Pipe

SHOWER DRAIN STRAINER FOR PRICE PFISTER

- Snap-In Style
- 2" Diameter
- Polished Brass



Carded

Stk. No. Description

88928 2" Drain Cover

UNIVERSAL DRAIN REPAIRS



Carded

Stk. No. Description

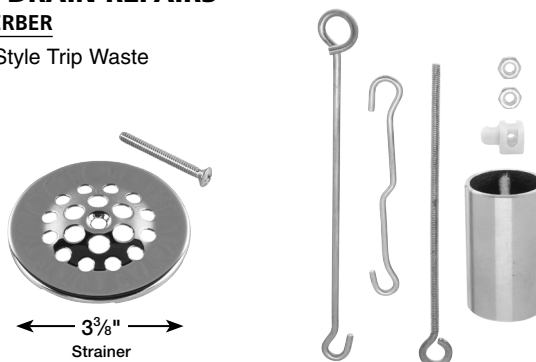
88924 Linkage & Plunger

89471 Strainer *Oil Rubbed Bronze*

89269 Strainer *Brushed Nickel*

BATH DRAIN REPAIRS FOR GERBER

- New Style Trip Waste



39327
Linkage &
Plunger

Product
Stk. No.

Carded
Stk. No.

Part No.

Description

39327

—

96-180A

Linkage & Plunger

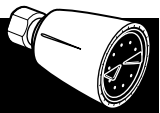
—

88926

91-292

Strainer *Chrome*

TUB & SHOWER REPAIRS



TUB & SHOWER

TUB & SHOWER DRAIN REPAIRS

FLAT BATH SHOE GASKET

This Quality Rubber Gasket Can Be Used On a Wide Range of Bath Shoes or Tub Drains



Product Stk. No.	Carded Stk. No.	O.D.	I.D.	Thick
36550B, W	88349	2 ¹⁵ / ₁₆ "	1 ⁷ / ₈ "	³ / ₈ "

FLAT BATH SHOE GASKET

This Flat Bath Shoe Gasket Is Used Between the Tub & the Shank Nut On the Bath Shoe or Tub Drain



Product Stk. No.	Carded Stk. No.	O.D.	I.D.	Thick
36549B, W	88348	2 ⁵ / ₈ "	1 ¹¹ / ₁₆ "	³ / ₃₂ "
36551B, W	88416	3"	1 ⁷ / ₈ "	¹ / ₈ "

OVERFLOW PLATE GASKET

This Quality Sponge Rubber Gasket Is Entirely Adjustable and Can Be Used On All Connected Waste and Overflow Connections



Product Stk. No.	Carded Stk. No.	O.D.	I.D.
36548B, W	88350	3 ³ / ₁₆ "	2 ¹ / ₈ "

OVERFLOW PLATE GASKET

This Gasket Is Used In the Back of the Tub On the Overflow Between the Shank Nut and Tub. The Gasket Is Tapered to Allow for Pitch.



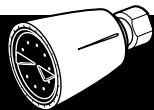
Product Stk. No.	Carded Stk. No.	O.D.	I.D.	Tub Style
36546W	88932	2 ¹⁵ / ₁₆ "	1 ⁷ / ₈ "	with Legs

TUB SPOUT RINGS

- Add Decorative Flair to a Basic Tub Spout
- Covers Gaps and Holes
- Easy to Install



Stk. No.	Description
80001	Tub Spout Ring <i>Chrome</i>
80002	Tub Spout Ring <i>Brushed Nickel</i>



TUB & SHOWER

TUB & SHOWER REPAIRS

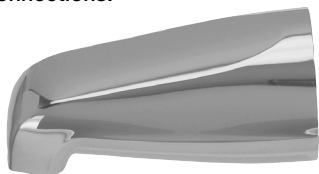
TUB SPOUTS

UNIVERSAL TUB SPOUTS

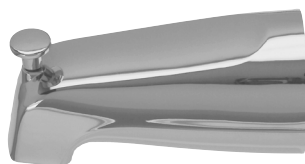
- Fast & Easy to Install
- Includes: Adapters, Allen Wrench & Plumbers Tape

Installs on All Existing Connections:

- 1/2" Copper *Slip Fit*
- 1/2" Thread
- 1/2" Thread *in Nose*
- 3/4" Thread



Less Diverter



With Diverter

UNIVERSAL



with Personal Shower Adapter

Carded

Stk. No.	Description	Finish
88702X	Tub Spout less Diverter	Chrome
88703X	Tub Spout with Diverter	Chrome
89265	Tub Spout with Diverter	Polished Brass
89249	Tub Spout with Diverter	Brushed Nickel
89266	Tub Spout with Diverter with Personal Shower Adapter	Chrome

6" TUB SPOUTS with PULL DOWN DIVERTERS

- Easy to Install
- Universal Fit
- Design Features Hidden Pull Down Diverter



Stk. No.	Description
10766	Tub Spout <i>Chrome</i>

6" TUB SPOUTS

- Universal Design Fits All Connections Including:
1/2" Copper *Slip Fit*, 1/2" Thread, 1/2" Thread *in Nose*, 3/4" Thread
- Design Features Decorative Diverter Knob & Tub Spout Ring



10315



10316

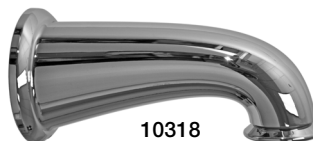


10317

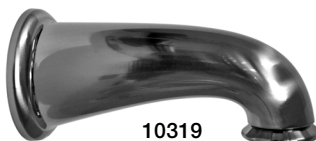
Stk. No.	Description
10315	Tub Spout <i>Chrome</i>
10316	Tub Spout <i>Brushed Nickel</i>
10317	Tub Spout <i>Oil Rubbed Bronze</i>

8" TUB SPOUTS with PULL DOWN DIVERTERS

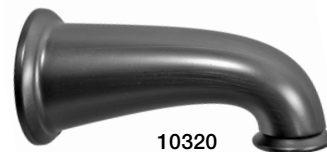
- Universal Design Fits All Connections Including:
1/2" Copper *Slip Fit*, 1/2" Thread, 1/2" Thread *in Nose*, 3/4" Thread
- Design Features Hidden Pull Down Diverter & Tub Spout Ring



10318



10319



10320

Stk. No.	Description
10318	Tub Spout <i>Chrome</i>
10319	Tub Spout <i>Brushed Nickel</i>
10320	Tub Spout <i>Oil Rubbed Bronze</i>

TUB & SHOWER REPAIRS

TUB & SHOWER



TUB SPOUTS & REPAIR KIT

TUB SPOUTS less DIVERTER

- Die Cast
- Front connection



Product Stk. No.	Carded Stk. No.	Description
34122Q*	80764	1/2" or 3/4" IPS Chrome
—	80875	1/2" or 3/4" IPS Polished Brass

TUB SPOUTS with DIVERTER

- Installs on: 1/2" or 3/4" IPS Connections
- Die Cast
 - Rear Connection



Carded Stk. No.	Description
80765	Chrome
80877	Polished Brass

TUB SPOUTS with DIVERTER

- Installs on: 1/2" IPS Connection
- Die Cast
 - Front Connection



Carded Stk. No.	Description
88052	Chrome

ADJUSTABLE TUB SPOUT less DIVERTER

- Installs on: 1/2" Slip Connection
- Chrome Plated Die Cast
 - With Set Screw
 - Rear Connection



Carded Stk. No.	Description
89162	Chrome

ADJUSTABLE TUB SPOUT with DIVERTER

- Installs on: 1/2" Slip Connection
- Chrome Plated Die Cast
 - With Set Screw
 - Rear Connection



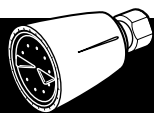
Carded Stk. No.	Description
88434	Chrome

REPAIR KIT FOR TUB SPOUT DIVERTER

Repairs Most Diverter Tub Spouts



Carded Stk. No.	Description
89205	Tub Spout Diverter Repair Kit



TUB & SHOWER

TUB & SHOWER REPAIRS

TUB SPOUT REPAIRS, SHOWER ARMS & FLANGES

SHOWERHEAD GASKET

- Prevents/Fixes Showerhead Leaks
- Fits All Showerheads and Hoses



Stk. No.	Description
80925	Showerhead Gasket (3 Pack)

BATHTUB COUPLING KIT

- For Old-Fashioned Tubs with Legs
- Attaches Faucet to Pipes



Carded

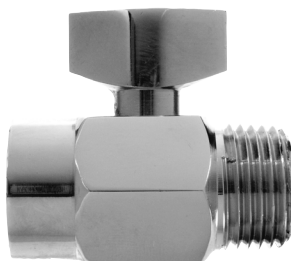
Stk. No.	Description
89131	2 Couplers per Card

SHOWER SHUT-OFF VALVES

For Use Between Shower Arm & Showerhead



80782/10750
Chrome Plated ABS



51026
(89171)
Chrome Plated Brass

Carded Stk. No.	Description
80782	1/2" IPS Female x 1/2" IPS Male ABS, Chrome
10750	1/2" IPS Female x 1/2" IPS Male ABS, BN
89171	1/2" IPS Female x 1/2" IPS Male Brass Chrome

6" SHOWER ARM & FLANGE

- 1/2" IPS



Carded

Stk. No.	Description
89078	Shower Arm & Flange Chrome Plated ABS
89180	Shower Arm & Flange Chrome Plated Brass
27016X	Shower Arm & Flange Polished Brass
89182	Shower Arm & Flange Brushed Nickel
89411	Shower Arm & Flange Oil Rubbed Brass

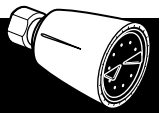
8" METAL SHOWER ARM & FLANGE

- 1/2" IPS
- Bell-Style Flange



Carded

Stk. No.	Description
89179	Shower Arm & Flange Chrome Plated



SHOWER ARMS, FLANGES & SHOWERHEADS

SHOWER ARM FLANGES

- 1/2" IPS
- Die Cast
- Set Screw Style



Carded

Stk. No. Description

89172 Flange *Chrome Plated*

"SHOWER-UP" SHOWER ARM & FLANGE

- Adapts to 1/2" IPS Showerheads
- Solid Brass One-Piece Construction



Carded

Stk. No. Description

27042X 11" *Chrome*

PREMIUM SHOWERHEAD

1/2" IPS CONNECTION

- Scratch Resistant Finish
- Will Not Tarnish or Fade
- Solid brass with brass ball- Joint
- 2.5 GPM



Carded

Stk. No. Description

89245 Showerhead *Brushed Nickel*
89474 Showerhead *Oil Rubbed Bronze*

ADJUSTABLE SHOWERHEADS

1/2" IPS CONNECTION

- Brass
- Adjustable Water Jets
- 2.5 GPM



Carded

Stk. No. Description

89202 4-Jet
89203 6-Jet

PREMIUM SHOWERHEAD

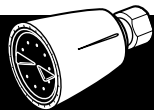
1/2" IPS CONNECTION

- Brass - Available in 3 Finishes
- Face Diameter 1 11/16"
- With Flow Control Washer
- 2.5 GPM

Carded

Stk. No. Description

80768 Showerhead *Chrome Plated*



TUB & SHOWER REPAIRS

SHOWERHEADS

SHOWERHEAD 1/2" IPS CONNECTION

- Solid Brass
- 2.5 GPM



Carded
Stk. No.

89077

SHOWERHEAD 1/2" IPS CONNECTION

- Chrome Plated ABS
- 1/2" IPS Ball-Joint
- 2.5 GPM



Carded
Stk. No. Description

80480 Showerhead with Brass Ball Joint

SHOWERHEAD 1/2" IPS CONNECTION

- Chrome Plated ABS
- 1/2" IPS Ball-Joint
- 2.5 GPM



Carded
Stk. No.

80779

SHOWERHEAD FOR PFISTER

- Chrome Plated ABS
- Comes Less Nut
- OEM Ref. #973-052A



Carded
Stk. No. Description

80490 Showerhead

VERSA SPRAY™ TUB SPOUT SHOWER

- 5 foot Hose
- Slip-on Rubber Connector grips Tub Spout
- Quick, easy Installation (no tools required)



Stk. No. Description

10086 VersaSpray (not for Spouts w/Diverters) *White*

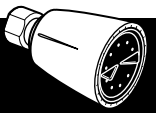
SHOWER BLASTER CLEANING SYSTEM

- Extra long 7 foot Hose
- QuickConnect Adapters
- Water Saving Press & Release Trigger



Carded
Stk. No. Description

10074 Shower Blaster *Chrome*

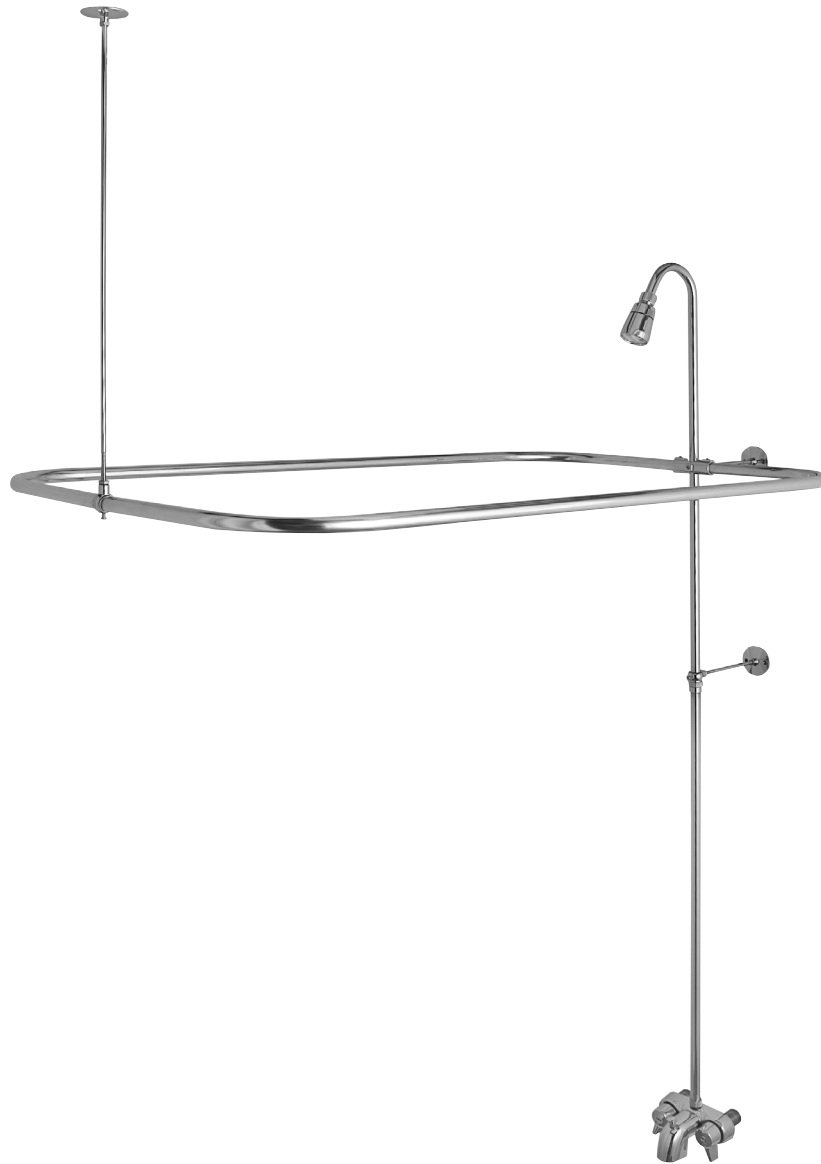


SHOWER REPAIRS

"ADD-A-SHOWER"

Includes:

- Wall & Ceiling Supports
- 24" x 42" Shower Curtain Ring
- Faucet & Showerhead



Product	Packaged
Stk. No.	Stk. No.

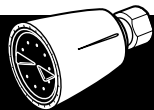
52406	—
-------	---

ENERGY SAVING VOLUME CONTROL WASHERS



50673

Product	Size	Application
Stk. No.		
50673B, W	1/2" O.D.	Shower Heads w/Standard 1/2" IPS Connection



TUB & SHOWER

TUB & SHOWER REPAIRS

REMODELING COVERS

EASY
FIX

COVER UP

SINGLE LEVER REMODELING COVER

- Conceals Damaged Tile or Tub/Shower Walls
- Upgrade from 2-Handle or 3-Handle Faucets to Single Handle Faucet
 - Fast and Easy to Install



Stk. No. Description

- 80000 Single Handle Cover *Chrome*
80054 Single Handle Cover *Brushed Nickel*

TWO-HANDLE REMODELING COVER

- Conceals Damaged Tile or Tub/Shower Walls
- Fits All Standard Shower Fixtures
 - Matches All Bathroom and Tile Colors
 - Apply with a Bead of Caulk



Stk. No. Description

- 38121 14" x 6 1/8" Mirrored Acrylic

UNIVERSAL TUB SPOUT REMODELING COVER

- Conceals Damaged Tile or Tub/Shower Walls
- Fits most Basic Tub Spouts

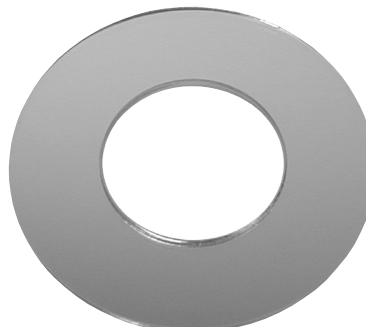


Stk. No. Description

- 80001 Single Handle Cover *Chrome*
80002 Single Handle Cover *Brushed Nickel*

TUB SPOUT REMODELING COVER

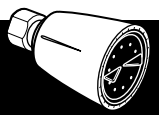
- Conceals Damaged Tile or Tub/Shower Walls
- Fits All Standard Shower Fixtures
 - Matches All Bathroom and Tile Colors
 - Apply with a Bead of Caulk



Stk. No. Description

- 38123 3 1/8" O.D. x 1 3/4" I.D. x 1/8" Mirrored Acrylic

TUB & SHOWER REPAIRS



TUB & SHOWER

TUB & SHOWER REMODELING KITS

COMPLETE KIT FOR AMERICAN STANDARD COLONY SHOWER WITH METAL HANDLES



Stk. No.	Description	Quantity
39614	3-Handle Remodeling Kit for American Standard Colony	
<i>Kit Contains:</i>		
—	9C-23H/C Stem	2
—	11C-1D Stem	1
—	#44 Seat	2
—	H/C Handles-Pair	1
—	Diverter Handle	1
—	Flange	3
—	Sleeve	3
—	Socket Wrench	1

COMPLETE KIT FOR CENTRAL BRASS SHOWER WITH METAL HANDLES

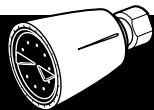


Stk. No.	Description	Quantity
39616	3-Handle Remodeling Kit for Central Brass	
<i>Kit Contains:</i>		
—	10L-11H/C Stem	2
—	10L-13D Stem	1
—	#7 Seat	3
—	2 ¹ / ₁₆ " Brass Nipple	3
—	H/C Handles Pair	1
—	Diverter Handle	1
—	Flange	3
—	Socket Wrench	1

COMPLETE KIT FOR CENTRAL BRASS SHOWER WITH METAL HANDLES



Stk. No.	Description	Quantity
39646	3-Handle Remodeling Kit for Central Brass	
<i>Kit Contains:</i>		
—	11C-11H/C Stem	2
—	12L-1D Stem	1
—	#5 Seat	2
—	#72 Seat	1
—	H/C Handles Pair	1
—	Diverter Handle	1
—	Flange	3
—	2 ¹ / ₁₆ " Brass Nipple	3
—	Socket Wrench	1



TUB & SHOWER

TUB & SHOWER REPAIRS

TUB & SHOWER REMODELING KITS

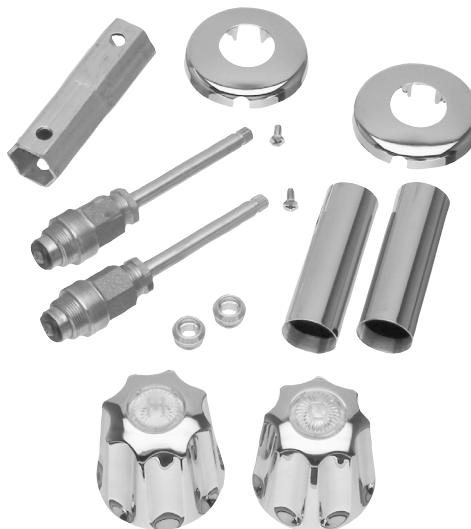
COMPLETE KIT FOR GERBER SHOWER WITH METAL HANDLES

Stk. No.	Description	Quantity
39617	3-Handle Remodeling Kit for Gerber	
<i>Kit Contains:</i>		
—	11B-1H/C Stem	2
—	11B-4D Stem	1
—	#28 Seat	3
—	H/C Handles Pair	1
—	Diverter Handle	1
—	Flange	3
—	Sleeve	3
—	Socket Wrench	1



COMPLETE KIT FOR GERBER SHOWER WITH METAL HANDLES

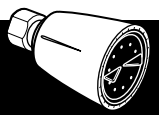
Stk. No.	Description	Quantity
39654	2-Handle Remodeling Kit for Gerber	
<i>Kit Contains:</i>		
—	11B-1H/C Stem	2
—	#28 Seat	2
—	H/C Handles Pair	1
—	Flange	2
—	Sleeve	2
—	Socket Wrench	1



COMPLETE KIT FOR GERBER WITH METAL HANDLES

Stk. No.	Description	Quantity
39615	3-Handle Remodeling Kit for Gerber (Box)	
<i>Kit Contains:</i>		
—	11B-1H/C Stem	2
—	11B-4D Stem	1
—	#28 Seat	3
—	H/C Handles Pair	1
—	Diverter Handle	1
—	Escutcheon	3
—	Nipple	3
—	Socket Wrench	1





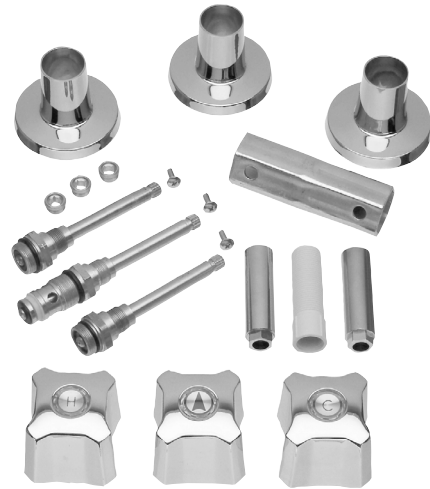
TUB & SHOWER REMODELING KITS

COMPLETE KIT FOR KOHLER *TREND* WITH METAL HANDLES

Stk. No.	Description	Quantity
39672	3-Handle Remodeling Kit for Kohler Trend	

Kit Contains:

—	9C-26H/C Stem	2
—	11C-13D Stem	1
—	#93 Seat	3
—	H/C Handles Pair	1
—	Diverter Handle	1
—	Escutcheon	3
—	Socket Wrench	1

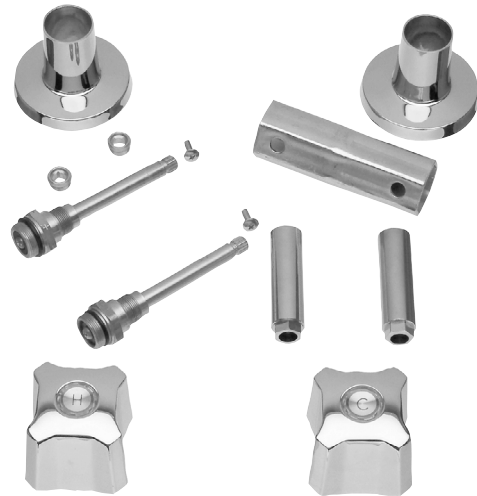


COMPLETE KIT FOR KOHLER *TREND* WITH METAL HANDLES

Stk. No.	Description	Quantity
39687	2-Handle Remodeling Kit for Kohler Trend	

Kit Contains:

—	9C-26H/C Stem	2
—	#93 Seat	2
—	H/C Handles Pair	1
—	Escutcheon	2
—	Socket Wrench	1



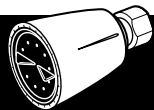
COMPLETE KIT FOR PFISTER *VERVE* WITH METAL HANDLES

Stk. No.	Description	Quantity
39619	3-Handle Remodeling Kit for Price Pfister Verve	

Kit Contains:

—	12H-2H/C Stem	2
—	12H-18D Stem	1
—	#38 Seat	3
—	H/C Handles Pair	1
—	Diverter Handle	1
—	Flange with Nipple	3
—	Socket Wrench	1





TUB & SHOWER

TUB & SHOWER REPAIRS

TUB & SHOWER REMODELING KITS

COMPLETE KIT FOR PFISTER VERVE WITH METAL HANDLES



Stk. No.	Description	Quantity
39688	2-Handle Remodeling Kit for Pfister <i>Verve</i> (Clam Pack)	

Kit Contains:

—	12H-2H/C Stem	2
—	#38 Seat	2
—	H/C Handles Pair	1
—	Flange with Nipple	2
—	Socket Wrench	1

COMPLETE KIT FOR PFISTER WITH METAL HANDLES



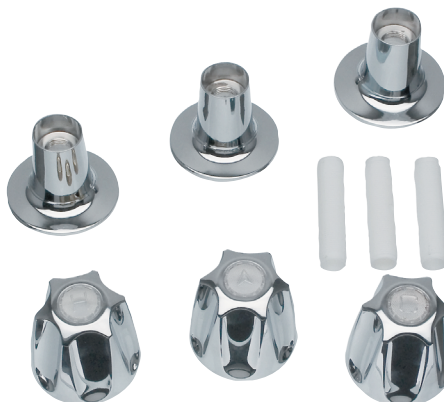
Stk. No.	Description	Quantity
39513	3-Handle Remodeling Kit for Pfister (Box)	

Kit Contains:

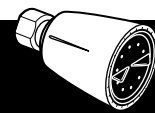
—	12H-2H/C Stem	2
—	12H-4D Stem	1
—	#38 Seat	3
—	Diverter Handle	1
—	H/C Handles Pair	1
—	Flange with Nipple	3

TRIM KIT FOR PFISTER

- Fits Verve
- Includes handles, flanges & nipples



Stk. No.	Description
81428	3-handle, <i>Chrome</i> Trim Finish, <i>Chrome</i> Metal Handles
81429	3-handle,
81430	3-handle, <i>Brushed Nickel</i> Trim Finish, <i>Acrylic</i> Handles



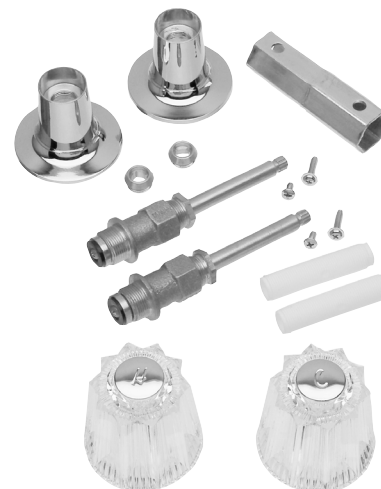
TUB & SHOWER REMODELING KITS

COMPLETE KIT FOR PFISTER *WINDSOR* WITH CRYSTAL HANDLES



Stk. No.	Description	Quantity
39630	3-Handle Remodeling Kit for Pfister	
<i>Kit Contains:</i>		
—	12H-2H/C Stem	2
—	12H-18D Stem	1
—	#38 Seat	3
—	H/C Handles Pair	1
—	Diverter Handle	1
—	Flange with Nipple	3
—	Socket Wrench	1

COMPLETE KIT FOR PFISTER *WINDSOR* CHROME FINISH WITH CRYSTAL HANDLES

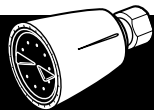


Stk. No.	Description	Quantity
39689	2-Handle Remodeling Kit for Pfister	
<i>Kit Contains:</i>		
—	12H-2H/C Stem	2
—	#38 Seat	2
—	H/C Handles Pair	1
—	Flange with Nipple	2
—	Socket Wrench	1

COMPLETE KIT FOR PFISTER WITH METAL HANDLES



Stk. No.	Description	Quantity
39618	3-Handle Remodeling Kit for Pfister	
<i>Kit Contains:</i>		
—	12H-2H/C Stem	2
—	12H-18D Stem	1
—	#38 Seat	3
—	H/C Handles Pair	1
—	Diverter Handle	1
—	Flange	3
—	Sleeve	3
—	Socket Wrench	1



TUB & SHOWER

TUB & SHOWER REPAIRS

TUB & SHOWER REMODELING KITS

COMPLETE KIT FOR PFISTER

CHROME FINISH WITH PORCELAIN LEVER HANDLES

Stk. No.	Description	Quantity
39695	3-Handle Remodeling Kit for Pfister	

Kit Contains:

—	12H-2H/C Stem	2
—	12H-18D Stem	1
—	#38 Seat	3
—	White Porcelain & Chrome Lever Handles	3
—	Flange w/ Nipple	3
—	Socket Wrench	1



COMPLETE KIT FOR PFISTER

CHROME FINISH WITH PORCELAIN CROSS-ARM HANDLES

Stk. No.	Description	Quantity
39696	3-Handle Remodeling Kit for Price Pfister	

Kit Contains:

—	12H-2H/C Stem	2
—	12H-18D Stem	1
—	#38 Seat	3
—	White Porcelain & Chrome Cross-Arm Handles	3
—	Flange w/ Nipple	3
—	Socket Wrench	1



COMPLETE KIT FOR SAYCO

WITH METAL HANDLES

Stk. No.	Description	Quantity
39620	3-Handle Remodeling Kit for Sayco	

Kit Contains:

—	9B-3H Stem	2
—	9B-5D Stem	1
—	#113 Seat	3
—	H/C Handles Pair	1
—	Diverter Handle	1
—	Sleeve	3
—	Flange	3
—	Socket Wrench	1



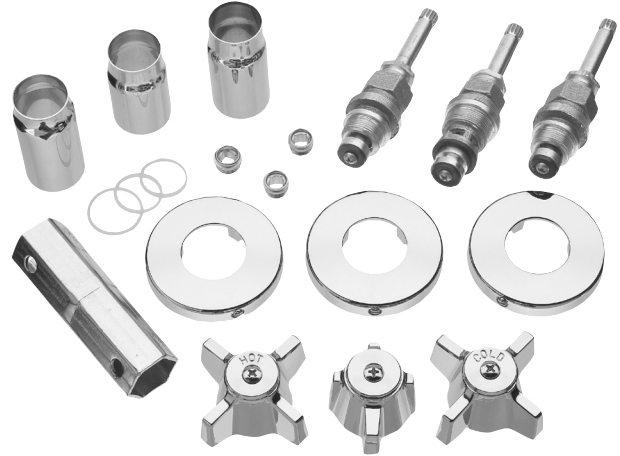
TUB & SHOWER REPAIRS

TUB & SHOWER



TUB & SHOWER REMODELING KITS

COMPLETE KIT FOR STERLING WITH METAL HANDLE



Stk. No.	Description	Quantity
39621	3-Handle Remodeling Kit for Sterling	
<i>Kit Contains:</i>		
—	10L-1H/C Stem	2
—	10L-3D Stem	1
—	#18 Seat	3
—	H/C Handles Pair	1
—	Diverter Handle	1
—	Sleeve	2
—	Sleeve	1
—	Flange	3
—	Socket Wrench	1

COMPLETE KIT FOR UNION BRASS WITH METAL HANDLE

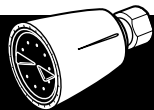


Stk. No.	Description	Quantity
39690	2-Handle Remodeling Kit for Union Brass	
<i>Kit Contains:</i>		
—	7E-1H Stem	2
—	107 Seat	2
—	H/C Handle Pair	1
—	Flange, Sleeve, Nipple	2
—	Socket Wrench	1

COMPLETE KIT FOR UNION BRASS WITH METAL HANDLE



Stk. No.	Description	Quantity
39740	Diverter Remodeling Kit for Union Brass	
<i>Kit Contains:</i>		
—	10Z-4D Stem	1
—	Diverter Handle	1
—	Flange, Sleeve, Nipple	1



TUB & SHOWER REPAIRS

TUB & SHOWER REMODELING KITS

UNIVERSAL TUB & SHOWER TRIM KIT FOR DELTA

Tub & Shower Trim Kit is ideal for sprucing up Delta most popular single lever shower

- Works on most Delta Tub/Shower faucets
- Fits faucets using #70 & #212 balls and monitor cartridges
- Easy installation
- Includes various adapter combinations to ensure universal installation with most Delta Tub/Shower faucets
- Includes acrylic and metal handles so customers can choose their handle
- Available in *Chrome* and *Brushed Nickel* finishes
- Replaces existing kits: 29871 & 89277



Stk. No.	Description	Finish
10003	Trim Kit for Delta	<i>Chrome</i>
10004	Trim Kit for Delta	<i>Brushed Nickel</i>
10562	Trim Kit for Delta	<i>Oil Rubbed Bronze</i>

UNIVERSAL TUB & SHOWER TRIM KIT FOR MOEN

Tub & Shower Trim Kit is ideal for sprucing up Delta most popular single lever shower

- Works on most Moen Tub/Shower faucets
- Fits faucets using regular or posi-temp cartridges
- Easy installation
- Includes various adapter combinations to ensure universal installation with most Moen Tub/Shower faucets
- Includes acrylic and metal handles so customers can choose their handle
- Available in *Chrome* and *Brushed Nickel* finishes
- Replaces existing kits: 28951, 28957, 28961, 89273 & 89275



Stk. No.	Description	Finish
10001	Trim Kit for Moen	<i>Chrome</i>
10002	Trim Kit for Moen	<i>Brushed Nickel</i>
10561	Trim Kit for Moen	<i>Oil Rubbed Bronze</i>

TUB & SHOWER TRIM KITS FOR MIXET SHOWER VALVES

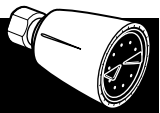
Kit Includes:

- Temperature & Volume Control Knobs
- Escutcheon



Stk. No.	Description	Finish
28498	4 1/2" Flange	<i>Chrome</i>

Stk. No.	Description	Finish
28499	5 1/2" Flange	<i>Chrome</i>



TUB & SHOWER REMODELING KITS

TUB & SHOWER TRIM KIT FOR PFISTER AVANTE MODELS

Ideal for Sprucing up Pfister *Avante* Single Handle Tub & Shower Valve

- Each kit is conveniently packed in a clam pack and includes an escutcheon plate, sleeve and screws, handle, index button, handle screw and installation instructions
- Stocked in Chrome
- For a complete Tub & shower upgrade, be sure to order matching shower arms and heads, tub spouts and overflow plates



Stk. No.	Description	Finish
28959	Complete Trim Kit with Cartridge	Chrome

TUB & SHOWER TRIM KIT FOR ELJER & VALLEY

Ideal for Sprucing up Eljer or Valley Single Handle Tub & Shower Valve

- Each kit is conveniently packed in a clam pack and includes an escutcheon plate, sleeve and screws, cap assembly, handle, index button, handle screw and installation instructions
- Stocked in Chrome and Brushed Nickel
- For a complete Tub & shower upgrade, be sure to order matching shower arms and head, tub spout and overflow plate



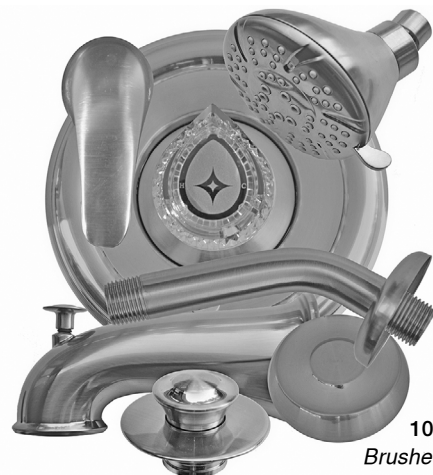
Stk. No.	Description	Finish
28964	Complete Trim Kit	Chrome

28964
Chrome

DECORATIVE ALL-IN-ONE REMODELING KIT FOR MOEN

Kit Includes:

5-funtion Showerhead, 6" Shower Arm & Flange, Trim Kit for Moen with 2 Handle Options, Tub Spout, Overflow Plate and EZ Drain Cover



Stk. No.	Description	Finish
10579	All-in-One Remodeling Kit for Moen	Brushed Nickel

10579
Brushed Nickel

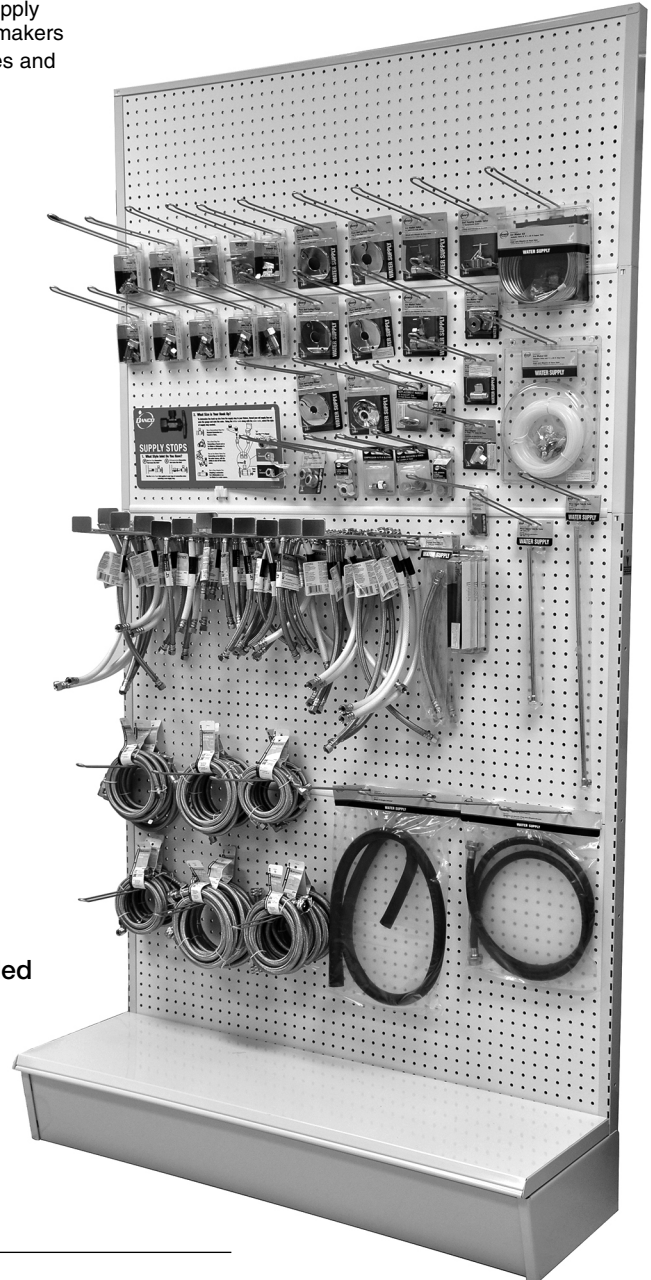


SUPPLY LINES & STOPS ASSORTMENTS

SUPPLY LINES & STOPS ASSORTMENTS

Our Supply Lines & Stop Assortments are designed to maximize space and make it easy for the do-it-yourselfer to find exactly what they need.

- Extensive product mix makes it easy to find the parts needed to supply water to: toilets, faucets, washing machines, dishwashers and ice makers
- Includes the most popular stops, valves, flexible connectors, flanges and hoses
- High-impact signage easily directs customers to the right spot
- Easy to use gauge helps the customer find the correct size



Gondola Not Included

Stk. No.	Description
----------	-------------

81179A	4' Water Supply Standard Assortment
81164A	2' Aqua Flo Assortment Contains Stainless Steel & Vinyl Faucet & Toilet Connectors
81114A	2' Appliance Connector Assortment Contains Ice maker, Dishwasher, Washing Machine, Water Heater Connectors
81112	1/4 Turn Mini Ball Valve Assortment One foot of Repairs

FREE MERCHANDISING SYSTEM COMPONENTS

- Aisle Flag
- Header
- Scan Tag Labels
- Planogram

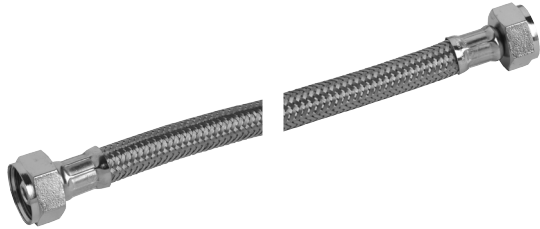


COMPRESSION & DRAIN

STAINLESS STEEL FLEXIBLE WATER CONNECTORS

FAUCET STAINLESS STEEL WATER CONNECTORS FIP X FIP

- Features Chloramine-Resistant Inner Core and Soft Cone Washer
- Flexible
- Suitable for Water Temperatures from 33°F to 140°F
- Top Quality Nickel-Plated Brass Fittings
- IAPMO, NSF-61 and UPC Approved

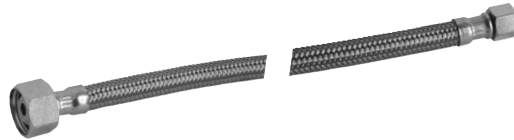


Stk. No. Description

59821	1/2" Soft Cone FIP x 1/2" Soft Cone FIP x 12"
59823	1/2" Soft Cone FIP x 1/2" Soft Cone FIP x 16"
59825	1/2" Soft Cone FIP x 1/2" Soft Cone FIP x 20"
59691	1/2" Soft Cone FIP x 1/2" Soft Cone FIP x 24"
59693	1/2" Soft Cone FIP x 1/2" Soft Cone FIP x 30"
59695	1/2" Soft Cone FIP x 1/2" Soft Cone FIP x 36"

FAUCET STAINLESS STEEL WATER CONNECTORS COMPRESSION X FIP

- Features Chloramine-Resistant Inner Core and Soft Cone Washer
- Flexible
- Suitable for Water Temperatures from 33°F to 140°F
- Top Quality Nickel-Plated Brass Fittings
- IAPMO, NSF-61 and UPC Approved

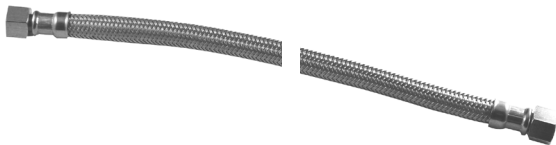


Stk. No. Description

59721	3/8" Soft Comp. x 1/2" Soft Cone FIP x 9"
59827	3/8" Soft Comp. x 1/2" Soft Cone FIP x 12"
59829	3/8" Soft Comp. x 1/2" Soft Cone FIP x 16"
59831	3/8" Soft Comp. x 1/2" Soft Cone FIP x 20"
59703	3/8" Soft Comp. x 1/2" Soft Cone FIP x 24"
59705	3/8" Soft Comp. x 1/2" Soft Cone FIP x 30"
59707	3/8" Soft Comp. x 1/2" Soft Cone FIP x 36"
59709	3/8" Soft Comp. x 1/2" Soft Cone FIP x 48"
59839	1/2" Soft Cone Comp. x 1/2" Soft Cone FIP x 12"
59843	1/2" Soft Cone Comp. x 1/2" Soft Cone FIP x 20"

FAUCET STAINLESS STEEL WATER CONNECTORS COMPRESSION X COMPRESSION

- Features Chloramine-Resistant Inner Core and Soft Cone Washer
- Flexible
- Suitable for Water Temperatures from 33°F to 140°F
- Top Quality Nickel-Plated Brass Fittings
- IAPMO, NSF-61 and UPC Approved

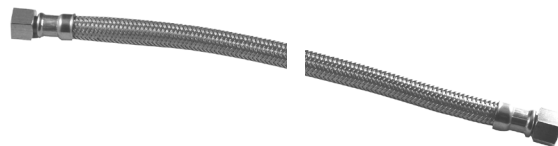


Stk. No. Description

59623	3/8" Soft Comp. x 3/8" Soft Comp. x 9"
59625	3/8" Soft Comp. x 3/8" Soft Comp. x 12"
59627	3/8" Soft Comp. x 3/8" Soft Comp. x 16"
59629	3/8" Soft Comp. x 3/8" Soft Comp. x 20"

SINGLE LEVER FAUCET STAINLESS STEEL WATER CONNECTORS COMPRESSION X OD COMPRESSION

- For Use on Delta and Other Single Lever Kitchen and Lavatory Faucets
- Features Chloramine-Resistant Inner Core and Soft Cone Washer
- Flexible
- Suitable for Water Temperatures from 33°F to 140°F
- Top Quality Nickel-Plated Brass Fittings
- IAPMO, NSF-61 and UPC Approved



Stk. No. Carded Stk. No. Description

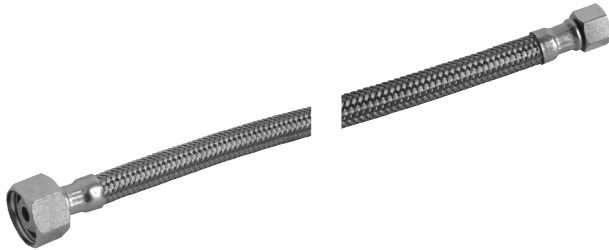
—	81232	3/8" Comp. x 3/8" O.D. Comp. Coupling x 12"
52224	—	3/8" Comp. x 3/8" O.D. Comp. Coupling x 20"



STAINLESS STEEL FLEXIBLE WATER CONNECTORS

FAUCET STAINLESS STEEL WATER CONNECTORS FLARE x FIP

- Features Chloramine-Resistant Inner Core and Soft Cone Washer
- Flexible
- Suitable for Water Temperatures from 33°F to 140°F
- Top Quality Nickel-Plated Brass Fittings
- IAPMO, NSF-61 and UPC Approved

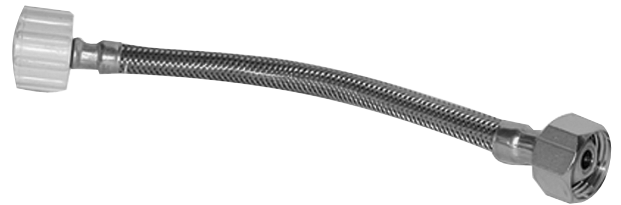


Stk. No. Description

59788	3/8" Flare x 1/2" Soft Cone FIP x 12"
59790	3/8" Flare x 1/2" Soft Cone FIP x 20"

CLOSET STAINLESS STEEL WATER CONNECTORS FIP x BALLCOCK NUT

- Features Chloramine-Resistant Inner Core and Soft Cone Washer
- Flexible
- Suitable for Water Temperatures from 33°F to 140°F
- Top Quality Nickel-Plated Brass Fittings
- IAPMO, NSF-61 and UPC Approved

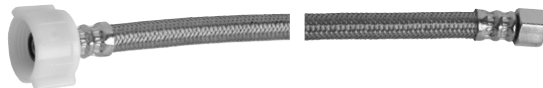


Stk. No. Description

59854	1/2" Soft Cone FIP x 7/8" Soft Cone Ballcock x 12"
-------	--

CLOSET STAINLESS STEEL WATER CONNECTORS COMPRESSION x BALLCOCK NUT

- Features Chloramine-Resistant Inner Core and Soft Cone Washer
- Flexible
- Suitable for Water Temperatures from 33°F to 140°F
- Top Quality Nickel-Plated Brass Fitting and Plastic Nut
- IAPMO, NSF-61 and UPC Approved

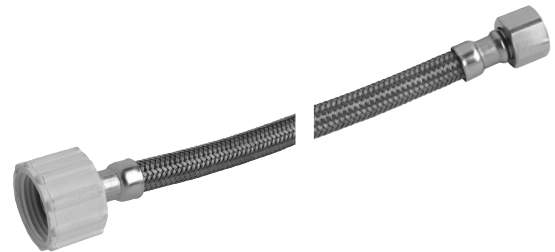


Stk. No. Description

59876	3/8" Soft Comp. x 7/8" Soft Cone Ballcock x 6"
59857	3/8" Soft Comp. x 7/8" Soft Cone Ballcock x 9"
59860	3/8" Soft Comp. x 7/8" Soft Cone Ballcock x 12"
59862	3/8" Soft Comp. x 7/8" Soft Cone Ballcock x 16"
59762	3/8" Soft Comp. x 7/8" Soft Cone Ballcock x 20"
59871	1/2" Soft Comp. x 7/8" Soft Cone Ballcock x 12"

CLOSET STAINLESS STEEL WATER CONNECTORS FLARE x BALLCOCK NUT

- Features Chloramine-Resistant Inner Core and Soft Cone Washer
- Flexible
- Suitable for Water Temperatures from 33°F to 140°F
- Top Quality Nickel-Plated Brass Fitting and Plastic Nut
- IAPMO, NSF-61 and UPC Approved



Stk. No. Description

59791	3/8" Flare x 7/8" Soft Cone Ballcock x 12"
-------	--



COMPRESSION
& DRAIN

COMPRESSION & DRAIN

FLEXIBLE WATER CONNECTORS

FLOOD ARMOUR® 6' WASHING MACHINE HOSE

- Fits all models including high-efficiency
- Triggers a shut-off valve preventing costly floods
- Easy to install
- Includes 2 hoses (hot & cold)



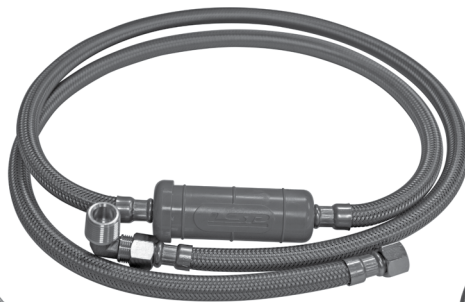
Stk. No.	Description
10763	Flood Armour Hose (2 per pack)

HAMMERSTOP™ TECHNOLOGY HOSES



Stop Banging Pipes

- Lead free compliant
- Corrosion resistant polymer braid
- Patented ultracore liner
- PVC, BPA and Phthalate free
- Temperature – 40 to 160°F
- Working pressure – 20 to 125 PSI



Dishwasher

$\frac{3}{8}$ " Comp. S.C. x $\frac{3}{8}$ " Comp. S.C.
with 90° Elbow Adapter
60" Long



Ice Maker

$\frac{1}{4}$ " Comp. H.C. x $\frac{1}{4}$ " Comp. H.C.
60" Long



Washing Machine

(2 Pack)

$\frac{3}{8}$ " I.D. $\frac{3}{4}$ " FGHT x $\frac{3}{4}$ " FGHT
60" Long

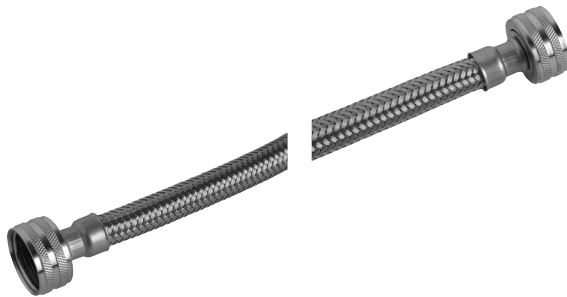
Stk. No.	Description
10742	Ice Maker
10743	Dishwasher
10744	Washing Machine (2 Pack)



STAINLESS STEEL & POLY FLEXIBLE WATER CONNECTORS

STAINLESS STEEL WASHING MACHINE HOSES FHT x FHT

- Features Chloramine-Resistant Inner Core and Washer
- Flexible
- Suitable for Water Temperatures from 33°F to 140 °F with a Burst Pressure up to 2000 PSI
- Top Quality Nickel-Plated Brass Fittings
- IAPMO, NSF-61 and UPC Approved

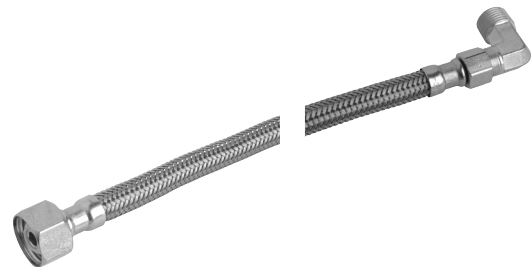


Stk. No.	Description
----------	-------------

65705	3/4" FHT x 3/4" FHT x 48"
65706	3/4" FHT x 3/4" FHT x 60"
65707	3/4" FHT x 3/4" FHT x 72"

STAINLESS STEEL DISHWASHER HOSES COMPRESSION x 1/2" FIP COMPRESSION x COMPRESSION

- Features Chloramine-Resistant Inner Core and Soft Cone Washer
- Flexible
- Suitable for Water Temperatures from 33°F to 140°F with a Burst Pressure up to 2000 PSI
- Includes 3/8" MIP x 3/8" O.D. Comp. Elbow
- Top Quality Nickel-Plated Brass Fittings
- IAPMO, NSF-61 and UPC Approved

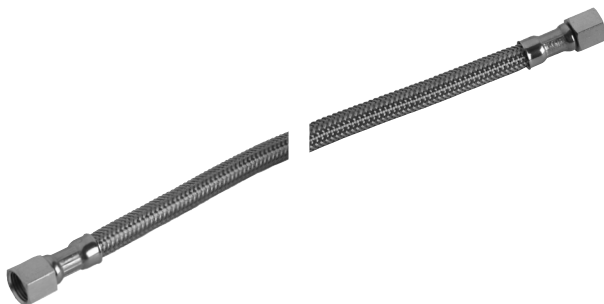


Stk. No.	Description
----------	-------------

50485	3/8" Comp. w/90° Elbow x 1/2" Soft Cone FIP x 48"
59637	3/8" Comp. w/90° Elbow x 3/8" Comp. x 48"
59899	3/8" Comp. w/90° Elbow x 3/8" Comp. x 60"
59639	3/8" Comp. w/90° Elbow x 3/8" Comp. x 72"
59702	3/8" Comp. w/90° Elbow x 3/8" Comp. x 84"

STAINLESS STEEL ICEMAKER CONNECTORS 1/4" COMPRESSION x 1/4" COMPRESSION

- Features Chloramine-Resistant Inner Core
- Flexible
- Suitable for Water Temperatures from 33°F to 140°F
- Top Quality Nickel-Plated Brass Fittings
- IAPMO, NSF-61 and UPC Approved

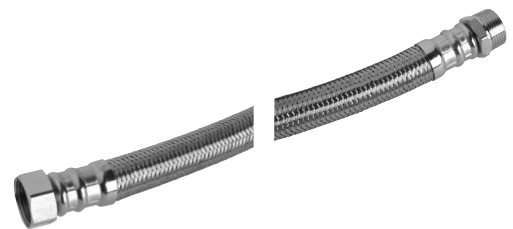


Stk. No.	Description
----------	-------------

59734	1/4" Comp. x 1/4" Comp. x 12"
59736	1/4" Comp. x 1/4" Comp. x 60"
59738	1/4" Comp. x 1/4" Comp. x 84"
59730	1/4" Comp. x 1/4" Comp. x 96"

STAINLESS STEEL WATER HEATER CONNECTORS

- Features Chloramine-Resistant Inner Core And Washers
- Flexible
- Suitable for Water Temperatures from 33°F to 140°F
- Top Quality Nickel-Plated Brass Fittings
- IAPMO, NSF-61 and UPC Approved



Stk. No.	Description
----------	-------------

59778	3/4" MIP x 3/4" FIP x 12"
59779	3/4" MIP x 3/4" FIP x 18"
59780	3/4" MIP x 3/4" FIP x 24"
59772	3/4" FIP x 3/4" I.D. Comp. Coupling x 18"
59781	3/4" FIP x 3/4" FIP x 12"
59782	3/4" FIP x 3/4" FIP x 18"
59783	3/4" FIP x 3/4" FIP x 24"

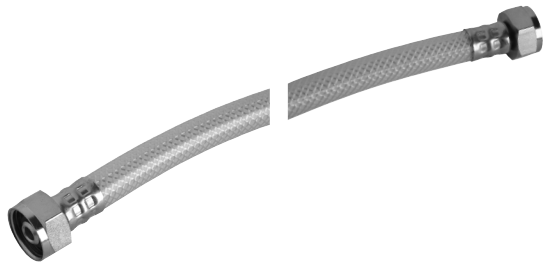


COMPRESSION & DRAIN

POLY FLEXIBLE WATER CONNECTORS

FAUCET POLY WATER CONNECTORS FIP x FIP

- Features Chloramine-Resistant Inner Core and Soft Cone Washer
- Flexible
- Suitable for Water Temperatures from 33°F to 140°F
- Passed Rigorous 100,000 Cycle Test of 75 PSI to 180 PSI Impulses at 180°F
- Top Quality Nickel-Plated Brass Fittings
- IAPMO, NSF-61 and UPC Approved

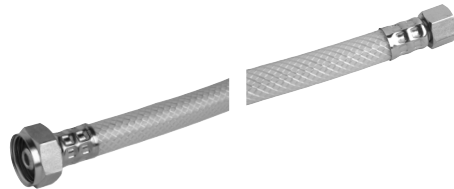


Stk. No. Description

59901	1/2" FIP x 1/2" FIP x 12"
59903	1/2" FIP x 1/2" FIP x 16"
59905	1/2" FIP x 1/2" FIP x 20"
59907	1/2" FIP x 1/2" FIP x 24"
59909	1/2" FIP x 1/2" FIP x 30"

FAUCET POLY WATER CONNECTORS COMPRESSION x FIP

- Features Chloramine-Resistant Inner Core and Soft Cone Washer
- Flexible
- Suitable for Water Temperatures from 33°F to 140°F
- Passed Rigorous 100,000 Cycle Test of 75 PSI to 180 PSI Impulses at 180°F
- Top Quality Nickel-Plated Brass Fittings
- IAPMO, NSF-61 and UPC Approved

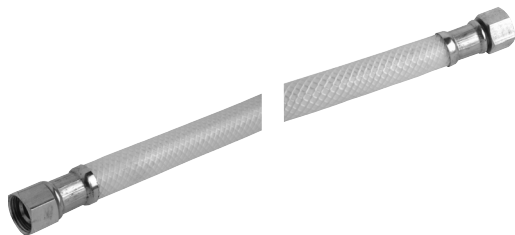


Stk. No. Description

59793	3/8" Comp. x 1/2" FIP x 9"
59919	3/8" Comp. x 1/2" FIP x 12"
59921	3/8" Comp. x 1/2" FIP x 16"
59923	3/8" Comp. x 1/2" FIP x 20"
59925	3/8" Comp. x 1/2" FIP x 24"
59927	3/8" Comp. x 1/2" FIP x 30"
59929	3/8" Comp. x 1/2" FIP x 36"
59931	3/8" Comp. x 1/2" FIP x 48"
59959	1/2" Comp. x 1/2" FIP x 20"

FAUCET POLY WATER CONNECTORS COMPRESSION x COMPRESSION

- Features Chloramine-Resistant Inner Core and Soft Cone Washer
- Flexible
- Suitable for Water Temperatures from 33°F to 140°F
- Passed Rigorous 100,000 Cycle Test of 75 PSI to 180 PSI Impulses at 180°F
- Top Quality Nickel-Plated Brass Fittings
- IAPMO, NSF-61 and UPC Approved



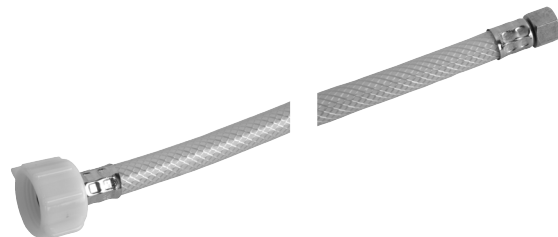
Stk. No. Description

59603	3/8" Comp. x 3/8" Comp. x 12"
81212*	3/8" Comp. x 3/8" Comp. x 6 3/4"

*for Price Pfister widespread lav faucet

CLOSET POLY WATER CONNECTORS COMPRESSION x BALLCOCK NUT

- Features Chloramine-Resistant Soft Cone Washer
- Suitable for Water Temperatures from 33°F to 140°F
- Passed Rigorous 100,000 Cycle Test of 75 PSI to 180 PSI Impulses at 180°F
- Top Quality Nickel-Plated Brass Fitting and Plastic Nut
- IAPMO, NSF-61 and UPC Approved



Stk. No. Description

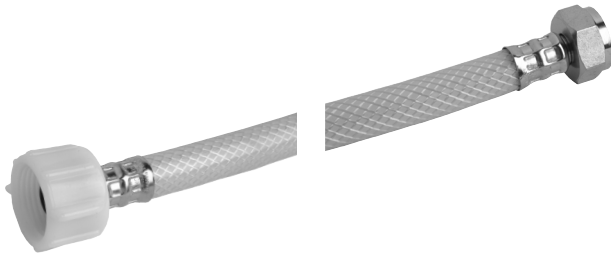
59979	3/8" Comp. x 7/8" Ballcock Nut x 9"
59981	3/8" Comp. x 7/8" Ballcock Nut x 12"
59794	3/8" Comp. x 7/8" Ballcock Nut x 16"
59983	3/8" Comp. x 7/8" Ballcock Nut x 20"



WATER CONNECTORS

CLOSET POLY WATER CONNECTORS **FIP x BALLCOCK NUT**

- Features Chloramine-Resistant Soft Cone Washer
- Suitable for Water Temperatures from 33°F to 140°F
- Passed Rigorous 100,000 Cycle Test of 75 PSI to 180 PSI Impulses at 180°F
- Top Quality Nickel-Plated Brass Fitting and Plastic Nut
- IAPMO, NSF-61 and UPC Approved

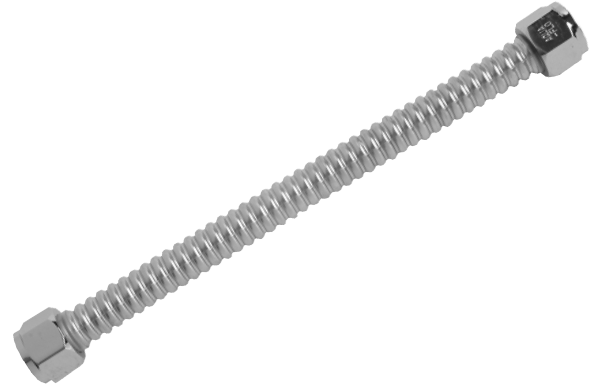


Stk. No. Description

59975 1/2" FIP x 7/8" Ballcock Nut x 12"

COPPER CORRUGATED HEATER CONNECTORS **FEMALE PIPE X FEMALE PIPE**

- Corrugated Copper Tube with Brass Ends with built-in dielectric.
- UPC & NSF-64 Approved

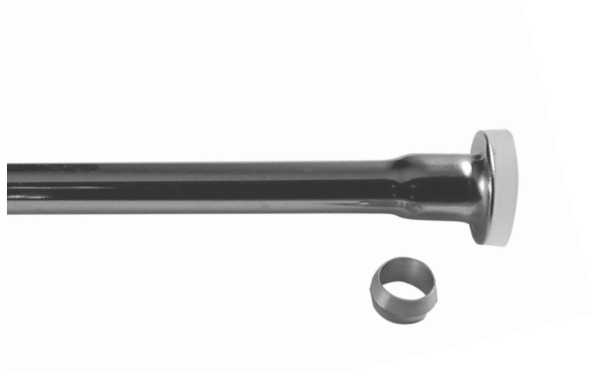


Stk. No. Description

WCP118PP 3/4" FIP x 3/4" FIP x 18"

CLOSET TANK SUPPLY TUBES

- Packaged Version is One Per Bag with Header
- Made of Crosslinked Polyethylene (PEX)
- Flexible
- Includes Sleeve
- NSF Approved



Packaged
Stk. No. Description

80902 Metal Supply Tube 3/8" x 12"
89141 Metal Supply Tube 3/8" x 20"

LAVATORY SUPPLY TUBES

- Packaged Version is Two Per Bag With Header
- Made of Crosslinked Polyethylene (PEX)
- Flexible
- Includes Sleeve
- NSF Approved



Packaged
Stk. No. Description

80901 Metal Supply Tube 3/8" x 12"
89140 Metal Supply Tube 3/8" x 20"



COMPRESSION & DRAIN

STOPS

CHROME ANGLE STOP "WEST COAST" STYLE IRON PIPE TO COMPRESSION



Carded
Stk. No. Description

81230E 1/2" IPS x 1/2" or 7/16" O.D. Compression

STOP REPAIRS FOR BRASSCRAFT STOPS



50124
(88000)
Stop Handle

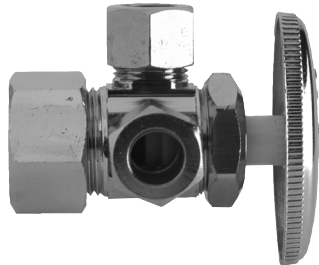


35153
Handle Screw



35246
(88001)
Complete Repair Kit

DUAL OUTLET STOPS



Carded
Stk. No. Size

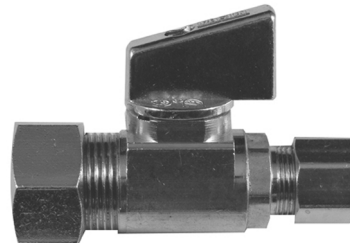
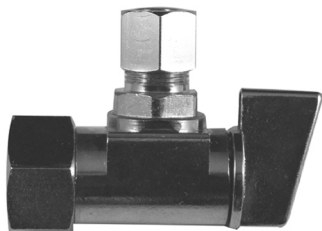
81222E 5/8" Comp x 3/8" Comp x 3/8" Comp

81223E 1/2" IPS x 3/8" Comp x 3/8" Comp

Stk. No.	Carded Stk. No.	Description
—	88001	Stop Repair Kit Includes: Packing, Friction Ring & Bibb Washer
35228B	—	Stop Packing
36617B	—	Stop Friction Ring
40964Z	—	Stop Bibb Washer
—	88000	Stop Handle
35153B	—	Handle Screw (Bibb)

1/4 TURN MINI BALL VALVES

- The 1/4-Turn Feature Prevents Leaking Supply Stops
- Chrome Plated, Heavy Brass Construction for Years of Reliable Service
- Washerless Design with Hi-Temp Viton Seats Results in Replacing Less Often than Conventional Stops
- Retrofit Style Creates a New Stop by "Piggy-Backing" onto Existing Defective 3/8" O.D. Compression Angle Stop, Straight Stop or Adapter Without Effecting the Existing Piping
- NSF-61, UPC and CSA Approved



Carded Stk. No.	Description	Outlet	Inlet
59213E	Angle Stop	3/8" O.D. Comp	3/8" O.D. Comp
59209E	Angle Stop	3/8" Comp	1/2" Sweat
59200E	Angle Stop	3/8" Comp	5/8" O.D. Comp
59204E	Angle Stop	3/8" Comp	3/8" F.I.P.
59201E	Angle Stop	3/8" Comp	1/2" F.I.P.
59211E	Angle Stop	1/2" CPVC	3/8" Comp
59219E	Angle Stop	5/8" O.D.	1/4" Comp

Carded Stk. No.	Description	Outlet	Inlet
59214E	Straight Stop	3/8" O.D. Comp	3/8" O.D. Comp
59205E	Straight Stop	3/8" Comp	3/8" F.I.P.
59210E	Straight Stop	3/8" Comp	1/2" Sweat
59202E	Straight Stop	3/8" Comp	5/8" O.D. Comp.
59203E	Straight Stop	3/8" Comp	1/2" F.I.P.
59212E	Straight Stop	1/2" CPVC	3/8" Comp
59215E	Retrofit Stop	3/8" O.D.	3/8" O.D.
59220E	Straight Stop	5/8" O.D.	1/4" Comp



FLANGES & ICE MAKER REPAIRS

CANOPY FLANGES

- Chrome Plated



Carded

Stk. No. To Fit

80962	1/2" Water Tube
80961	3/8" IPS
89070	1/2" IPS

BOX FLANGES

- Chrome Plated Metal

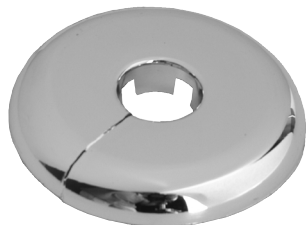


Stk. No. Description

50304	#41 Flange Fits: 1/4" O.D. Tube
-------	---------------------------------

"SPLIT" ESCUTCHEONS

- Ideal as a Floor, Ceiling or Wall Plate
- 100% Rust-Proof
- Made of Non-Breakable Plastic
- Perfect for Repair Work

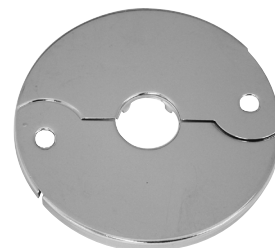


Stk. No. Fits Finish

62322	1/2" Copper	Chrome
-------	-------------	--------

FLOOR & CEILING PLATES

Chrome Plated Metal

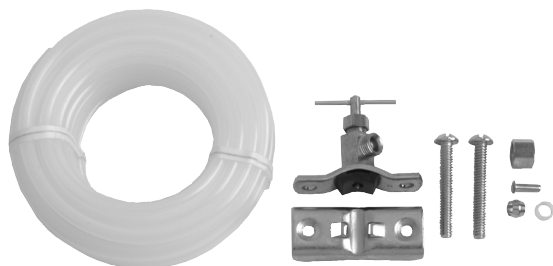


Stk. No. Carded Stk. No. Description

60794	80886	1/2" Copper
—	81210	3/4" Copper
—	81211	3/8" IPS
—	88465	1/2" IPS
—	88464	3/4" IPS
—	88467	1" IPS
—	88469	1 1/2" IPS

ICE MAKER INSTALLATION KITS

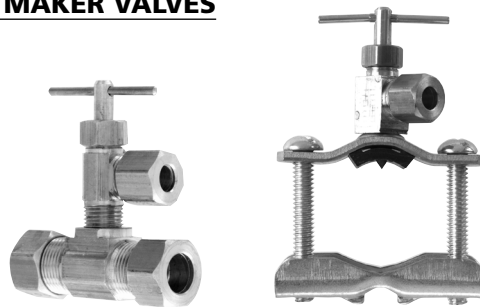
Includes Ice Maker Valve & Copper or Vinyl Tubing



Stk. No. Description

50512	Kit with 1/4" x 25' Vinyl Tubing
81209	Kit with 1/4" x 15' Copper Tubing

ICE MAKER VALVES



88277
3/8" Valve

88650
Saddle Valve

Carded Stk. No. Part No. Line-In O.D. Line-Out O.D.

88277E	380	3/8"	1/4"
81233E	580	5/8"	1/4"
88276E	380S	3/8" Saddle	1/4"
88650E	—	3/8" - 1 3/8" O.D. Saddle	1/4"



COMPRESSION & DRAIN

ADAPTERS, VALVES, WASHERS & HOSES

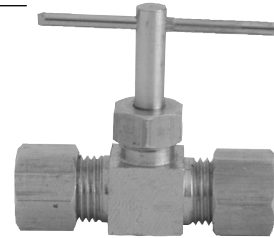
ICE MAKER ADAPTERS



Carded Stk. No.	Description
88381E	Ice Maker Adapter <i>Compression</i>

NEEDLE SHUT-OFF VALVES COMPRESSION TO COMPRESSION

Series 6765



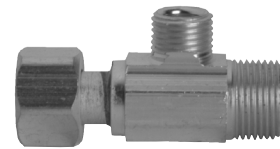
Stk. No.	Description
52548BE	1/4" O.D. Tube

WATER HEATER SUPPLY LINE WASHER



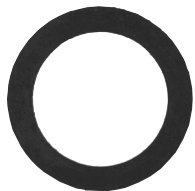
Stk. No.	Carded Stk. No.
65884B, W	88493

STOP ADAPTERS

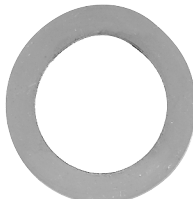


Bagged Stk. No.	Carded Stk. No.	Application	Size
—	88605E	Icemaker	3/8" x 3/8" x 1/4"
50283E	88608E	Dishwasher	3/8" x 3/8" x 3/8"

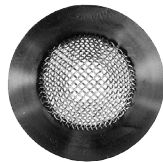
HOSE WASHERS



36344
Cloth Inserted
Hose Washer



36334
Oval Washer

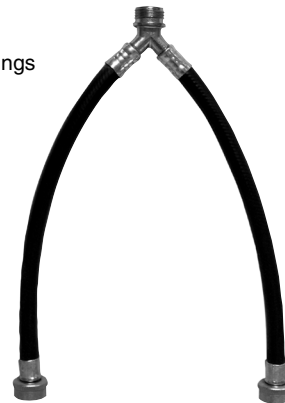


36335
(80070)
Washer with
Screen

Stk. No.	Carded Stk. No.	Hose Size	O.D.	I.D.	Thick
36333B, W	80787	5/8"	1"	3/4"	1/8"
36334B	—	5/8"	1 1/16"	1 3/16"	1/8"
36335B, W	80070	5/8"	1"	9/16"	—
36344B, W	—	5/8"	1 1/16"	5/8"	1/8"

MIXING HOSE

- 12" Arms
- High Pressure Hose
- "Y" with Brass Plated Couplings



Stk. No.	Description
36336	12" Arms

UNIVERSAL DRAIN HOSE

- Resists Grease, Detergents and Ozone
 - Convuluted Bellows Can Not Kink
 - 3 Size Step-Down End Allows for Universal Use
- Can be cut at any section to fit 3/4", 7/8" or 1" drain
Molded Neck 1",
Step-Down Drain Inlet Section 7/8"
Non-Kinking Corrugated Section 3/4"



Stk. No.	Description
36337	4' Long

RUBBER WASHING MACHINE HOSE

FOR BOTH HOT OR COLD WATER

- Packaged Complete with Instructions and Washers for Easy Installation
- All new I.O. couplings on straight end for positive seal. Specially compounded to resist softening action of hot water. Engineered to withstand 850 lbs. pressure per square inch.
- Highest Quality...Identical to Original Equipment Hose



Stk. No.	Description
36338Q	6' Long



VALVE HANDLES & REPAIRS FOR SILLCOCKS

VALVE WHEEL HANDLES



Round
Broach



Square
Broach

Carded

Stk. No.	Description
81084	12 Pt. Wheel Handle <i>Round Broach</i>
80417	16 Pt. Wheel Handle <i>Round Broach</i>
81081	1/4" Wheel Handle <i>Square Broach</i>
80416	5/16" Wheel Handle <i>Square Broach</i>

TEE HANDLES



Carded

Stk. No.	Description
88685	12 Pt. Tee Handle
88683	16 Pt. Tee Handle
—	1/4" Square Tee Handle
88684	5/16" Square Tee Handle

UNIVERSAL SILLCOCK HANDLE



Stk. No.	Description
10006	Universal Sillcock Handle

SILLCOCK HANDLES

For Use on Mansfield/Woodford



88754



88864

Stk. No.	Description
88754	Handle Plastic <i>Mansfield</i>
88664	Handle Metal <i>Mansfield</i>
88863	Wheel Handle Metal <i>Woodford</i>
88864	Wheel Handle Plastic <i>Woodford</i>

REPAIRS MANSFIELD FROST-PROOF SILLCOCKS

For Anti-Syphon 478 & 482



35189
Packing



35730
"O" Ring



35360
Packing Washer

Product Stk. No.	Carded Stk. No.	Description
73261	88755	MA-100 Repair Kit Repairs Mansfield Frost-Proof Sillcocks
<i>Kit Contains (1) each:</i>		
35189B	—	Packing
35730B	—	"O" Ring
35360	—	Packing Washer <i>Brass</i>
73258	—	Retainer & Bibb Washer Assembly



COMPRESSION & DRAIN

TUBING & HOSE CENTER

EASY SERVE TUBING & HOSE CENTERS

- Space-Efficient and Easy-to-Maintain Display Rack
- Useful Information on Cards Including: Size (I.D. and O.D.), Working Pressure, MAX Operating Temperature, Brittle Temperature, Material and Hardness



Stk. No.	Bulk Tubing	Yardage	Spool Size	
			Diameter	Length
✓51350	Vinyl 1/8" I.D. x 3/16" O.D.	400'	10"	7"
•51351	Vinyl 1/8" I.D. x 1/4" O.D.	400'	10"	7"
✓51352	Vinyl 3/16" I.D. x 5/16" O.D.	300'	10"	7"
•51353A	Vinyl 1/4" I.D. x 3/8" O.D.	250'	10"	7"
•51354	Vinyl 5/16" I.D. x 7/16" O.D.	200'	10"	7"
•51355	Vinyl 3/8" I.D. x 1/2" O.D.	150'	10"	7"
✓51356A	Vinyl 3/8" I.D. x 1/2" O.D.	100'	10"	7"
✓51357A	Vinyl 1/2" I.D. x 5/8" O.D.	100'	10"	7"
•51358A	Vinyl 1/2" I.D. x 3/4" O.D.	75'	10"	11.5"
•51359A	Vinyl 5/8" I.D. x 7/8" O.D.	100'	10"	11.5"
•51360A	Vinyl 3/4" I.D. x 1" O.D.	75'	10"	11.5"
✓51361A	Vinyl 1" I.D. x 1 1/4" O.D.	100'	21"	7"
✓51362	Vinyl 1 1/4" I.D. x 1 1/2" O.D.	50'	21"	7"
✓51363	Polyethylene 1 1/4" I.D. x 1 1/4" O.D.	400'	10"	7"
•51364A	Polyethylene 3/8" I.D. x 5/8" O.D.	300'	10"	7"
✓51365	Polyethylene 1/4" I.D. x 3/8" O.D.	300'	10"	7"
•51366	Polyethylene 3/8" I.D. x 1/2" O.D.	200'	10"	11.5"

Stk. No.	Bulk Tubing	Yardage	Spool Size	
			Diameter	Length
✓51368A	Braided PVC 3/8" I.D. x 5/8" O.D.	150'	10"	11.5"
✓51369	Braided PVC 1/2" I.D. x 3/4" O.D.	100'	10"	11.5"
51370	Braided PVC 5/8" I.D. x 7/8" O.D.	75'	10"	11.5"
✓51371	Braided PVC 3/4" I.D. x 1" O.D.	75'	10"	11.5"
51372A	Braided PVC 1" I.D. x 1 1/8" O.D.	50'	21"	7"
51373	Braided PVC 1 1/4" I.D. x 1 3/4" O.D.	50'	21"	7"
✓51374A	Air Hose 1/4" I.D. x 1/2" O.D.	200'	10"	11.5"
✓51375A	Air Hose 3/8" I.D. x 5/8" O.D.	150'	10"	11.5"
51377A	Reinf. Rub. Hose 3/8" I.D. x 1 1/32" O.D.	150'	10"	7"
✓51378	Reinf. Rub. Hose 1/4" I.D. x 1/2" O.D.	100'	10"	7"
51379A	Reinf. Rub. Hose 3/8" I.D. x 5/8" O.D.	50'	10"	7"
51380	Reinf. Rub. Hose 1/2" I.D. x 5/64" O.D.	100'	10"	11.5"
✓51381A	Reinf. Rub. Hose 5/8" I.D. x 7/8" O.D.	100'	10"	11.5"
✓51382	Reinf. Rub. Hose 7/8" I.D. x 1 1/8" O.D.	25'	10"	11.5"
✓51383A	Reinf. Rub. Hose 1" I.D. x 1 1/32" O.D.	50'	16"	7"

- Contained in Assortment Stk. No. 51385
- ✓ Contained in Assortment Stk. No. 51387

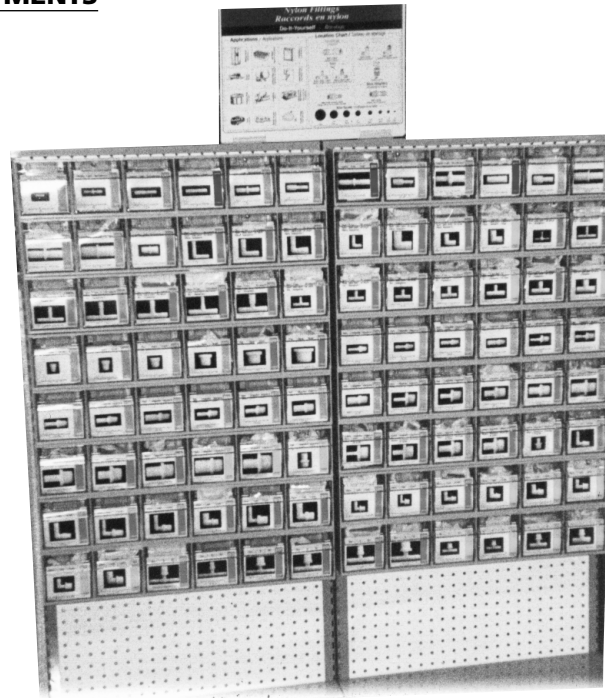
Rack Included

Stk. No.	Description
51385	Tubing Center Includes 17 Spools (3,900') of Vinyl & Polyethylene Product
51387	Combination Tubing & Hose Center Includes 18 Spools (2,650') of Vinyl, Polyethylene, PVC & Rubber Hose Product



NYLON FITTINGS

NYLON FITTINGS ASSORTMENTS



52707
Nylon Fittings
Tip Bin Assortment

Stk. No.	Description
----------	-------------

52707	Tip Bin Assortment Includes 3 each of 96 different types of fittings in "B" bags in 16 tip bins
-------	---

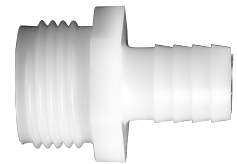
MIP PLUGS



Stk. No.	Description
----------	-------------

52659B	1/8"
52660B	1/4"
52661B	3/8"
52662B	1/2"
52663B	3/4"
52664B	1"

GARDEN HOSE ADAPTERS



Stk. No.	Description
----------	-------------

52670B	3/4" Male Hose Thread x 1/4" Barb
52675B	3/4" Male Hose Thread x 3/8" Barb
52680B	3/4" Male Hose Thread x 1/2" Barb
52613B	3/4" Male Hose Thread x 5/8" Barb
52614B	3/4" Male Hose Thread x 3/4" Barb

COUPLINGS

Stk. No.	Description
----------	-------------

52616B	1/8"
52617B	3/16"
52437B	1/4"
52618B	1/4" x 3/16" Reducing
52619B	5/16"
52438B	3/8"
52620B	3/8" x 1/4" Reducing
52439B	1/2"

Stk. No.	Description
----------	-------------

52621B	1/2" x 1/4" Reducing
52622B	1/2" x 3/8" Reducing
52623B	5/8"
52624B	5/8" x 3/8" Reducing
52625B	5/8" x 1/2" Reducing
52626B	3/4"
52627B	1"

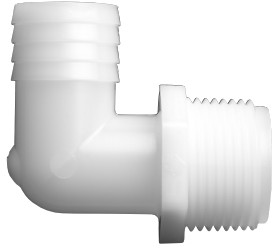




COMPRESSION & DRAIN

NYLON FITTINGS

ELBOWS (MIP x BARB)



Stk. No.	Description
52685B	1/8" MIP x 1/4" Barb
52686B	1/8" MIP x 3/8" Barb
52687B	1/4" MIP x 1/4" Barb
52688B	1/4" MIP x 5/16" Barb
52689B	3/8" MIP x 3/8" Barb
52690B	3/8" MIP x 1/4" Barb
52691B	3/8" MIP x 1/2" Barb
52692B	1/2" MIP x 1/2" Barb

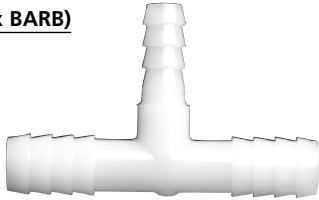
Stk. No.	Description
52693B	1/2" MIP x 3/8" Barb
52694B	1/2" MIP x 5/8" Barb
52695B	1/2" MIP x 3/4" Barb
52696B	3/4" MIP x 3/4" Barb
52697B	3/4" MIP x 5/8" Barb
52698B	3/4" MIP x 1" Barb
52699B	1" MIP x 1" Barb

ELBOWS (BARB x BARB)



Stk. No.	Description
52652B	1/4" Hose Barb
52653B	3/8" Hose Barb
52654B	3/8" x 1/2" Hose Barb
52655B	1/2" Hose Barb
52656B	5/8" Hose Barb
52657B	3/4" Hose Barb
52658B	1" Hose Barb

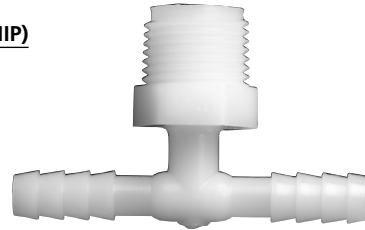
TEES (BARB x BARB x BARB)



Stk. No.	Description
52638B	1/8" Hose Barb
52639B	3/16" Hose Barb
52640B	1/4" Hose Barb
52641B	5/16" Hose Barb
52642B	3/8" Hose Barb
52643B	3/8" x 3/8" x 1/4" Hose Barb
52644B	3/8" x 3/8" x 1/2" Hose Barb
52645B	1/2" Hose Barb

Stk. No.	Description
52646B	1/2" x 1/2" x 3/8" Hose Barb
52647B	5/8" Hose Barb
52648B	5/8" x 5/8" x 1/2" Hose Barb
52649B	3/4" Hose Barb
52650B	1/2" x 1/2" x 3/4" Hose Barb
52651B	1" Hose Barb

TEES (BARB x BARB x MIP)



Stk. No.	Description
52628B	1/4" x 1/4" x 1/4" MIP
52629B	1/4" x 1/4" x 1/8" MIP
52630B	1/4" x 1/4" x 3/8" MIP
52631B	3/8" x 3/8" x 3/8" MIP
52632B	3/8" x 3/8" x 1/4" MIP
52633B	3/8" x 3/8" x 1/2" MIP
52634B	1/2" x 1/2" x 1/2" MIP
52635B	1/2" x 1/2" x 3/8" MIP
52636B	3/4" x 3/4" x 3/4" MIP
52637B	1" x 1" x 3/4" MIP

MALE ADAPTERS (MIP x BARB)



Stk. No.	Description
52665B	1/8" MIP x 3/16" Barb
52666B	1/8" MIP x 1/4" Barb
52667B	1/8" MIP x 5/16" Barb
52668B	1/8" MIP x 3/8" Barb
52669B	1/4" MIP x 3/16" Barb
52434B	1/4" MIP x 1/4" Barb
52671B	1/4" MIP x 5/16" Barb
52672B	1/4" MIP x 3/8" Barb
52673B	1/4" MIP x 1/2" Barb

Stk. No.	Description
52674B	3/8" MIP x 1/4" Barb
52435B	3/8" MIP x 3/8" Barb
52676B	3/8" MIP x 1/2" Barb
52677B	3/8" MIP x 5/8" Barb
52678B	1/2" MIP x 1/4" Barb
52679B	1/2" MIP x 3/8" Barb
52436B	1/2" MIP x 1/2" Barb
52681B	1/2" MIP x 5/8" Barb
52682B	1/2" MIP x 3/4" Barb

Stk. No.	Description
52683B	3/4" MIP x 1/2" Barb
52609B	3/4" MIP x 5/8" Barb
52611B	3/4" MIP x 3/4" Barb
52684B	3/4" MIP x 1" Barb
52610B	1" MIP x 3/4" Barb
52612B	1" MIP x 1" Barb

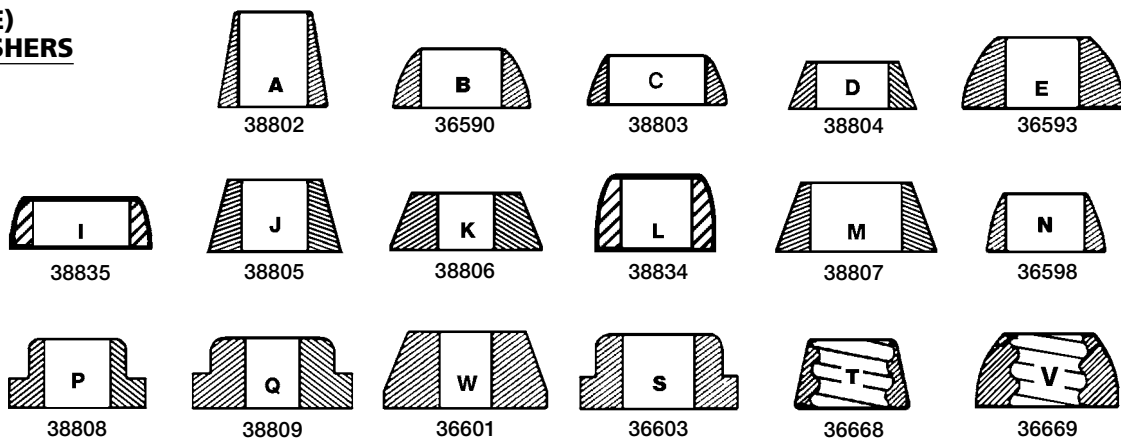
COMPRESSION & DRAIN

COMPRESSION
& DRAIN



SLIP-JOINT WASHERS & FRICTION RINGS

MOLDED (CONE) SLIP-JOINT WASHERS



DIMENSIONS & APPLICATIONS

Part	Product Stk. No.	O.D.	I.D.	Height	Use Ring	Application
A	38802	5/8"	3/8"	1/2"	J	1/2" Nut, 7/16" or 3/8" O.D. Tube for Basin Speedy Connector
B	36590	3/4"	7/16"	5/16"	B	Basin and 1/2" Ballcock Supply
C	38803	13/16"	19/32"	1/4"	C	3/8" IPS Ballcock Supply and Laundry Trays
D	38804	23/32"	13/32"	1/4"	D	1/2" IPS Shallow Nuts; 3/8" O.D. and 7/16" O.D. Tubing
E	36593	7/8"	13/32"	3/8"	E	"Rubber-Nose" Closet Supplies, Upper Bath; Ballcock Supply; 7/16" Tubing
I	38835	23/32"	1/2"	1/4"	N	1/2" O.D. Tubing into Basin
J	38805	23/32"	11/32"	3/8"	J	3/8" O.D. Tubing into Lavatory or Sink Fixture
K	38806	13/16"	5/16"	5/16"	K	3/8" O.D. Tubing into Ballcock
L	38834	5/8"	3/8"	3/8"	J	3/8" O.D. Tubing into Basin
M	38807	7/8"	1/2"	3/8"	G	1/2" O.D. Tubing into Ballcock
N	36598	5/8"	13/32"	5/16"	N	7/16" O.D. Tube into 1/2" IPS Nuts (connecting tube on pedestal lav)
P	38808	23/32"	11/32"	3/8"	J	3/8" O.D. Tubing into Lavatory or Sink Fixture
Q	38809	27/32"	9/32"	3/8"	K	3/8" O.D. Tubing into Ballcock
W	36601	7/8"	9/32"	13/32"	K	3/8" O.D. Tubing into Ballcock
S	36603	13/16"	7/16"	3/8"	E	7/16" O.D. Tubing into Ballcock
T	36668	21/32"	--	13/32"	--	1/2" IPS for Threaded Basin Supply
V	36669	55/64"	--	13/32"	--	1/2" IPS for Threaded Ballcock Supply

PACKAGE OPTIONS

Part	Bagged (1 per Bag)	Bagged (20 per Bag)	Carded
A	38802B	38802W	—
B	36590B	—	—
C	38803B	38803W	—
D	38804B	38804W	—
E	36593B	—	—
I	38835B	—	—
J	38805B	38805W	—
K	38806B	38806W	—
L	38834B	—	—
M	38807B	—	—
N	36598B	—	—
P	38808B	38808W	—
Q	38809B	38809W	81420(2)
W	36601B	—	—
S	36603B	—	81421(2)
T	36668B	—	88533(3)
V	36669B	—	—

Contained in Assortment Stk. No. 37785 (90 Total Pieces)

These slip joint washers are used with stops having corrugated supplies, and are in one piece

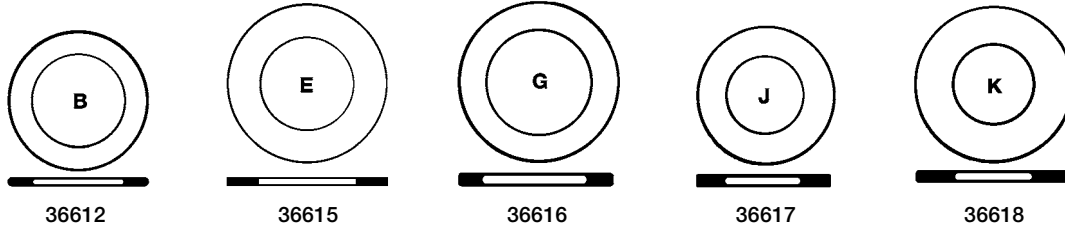


COMPRESSION & DRAIN

CONE WASHERS, FRICTION RINGS, SLIP-JOINT WASHERS & NUTS

HEAVY BRASS SLIP-JOINT FRICTION RINGS

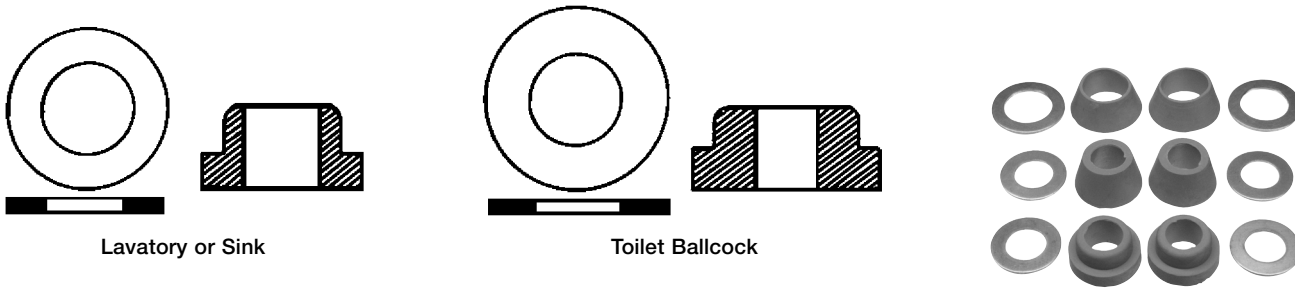
- All Washers Are Flat
- Illustrations Are Actual Size



Product Stk. No.	Part No.	O.D.	I.D.	Thick	Use Washer	Product Stk. No.	Part No.	O.D.	I.D.	Thick	Use Washer
36612B	B	11/16"	29/64"	1/32"	B	36616B	G	13/16"	17/32"	3/64"	G-M
36615B	E	13/16"	15/32"	1/32"	E	36617B	J	45/64"	25/64"	3/64"	A-J-P
						36618B	K	13/16"	13/32"	3/64"	K-Q-W

CONE WASHERS & RINGS

For Lavatory & Sink or Toilet Ballcock



Carded

Stk. No.	Description
80330	3/8" Style O.D. Tube
80332	1/2" O.D. Tube

Carded

Stk. No.	Description
88539	Contains 2 Each: 38808, 38805, 38807, 36616 Contains 4 Each: 36617

88539
Cone Washer and Ring Assortment
For Sink, Lavatory & Toilet

FLEXIBLE SLIP-JOINT WASHERS

Highly Flexible for Easy Installation and Positive Seal
Packaged 2 per Card



Stk. No.	Description
36483B	1/4" White
36484W	1/2" Black

SPLIT THREAD COUPLING NUTS

- Allows for the Replacing of Broken Slip-Joint Nuts Without Having to Disassemble the Trap
- Plastic



Carded

Stk. No.	Description
88494	1/4"
88495	1/2"

COMPRESSION & DRAIN

COMPRESSION
& DRAIN

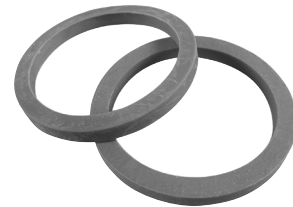


SLIP-JOINT WASHERS, FRICTION RINGS & SLIP-JOINT NUTS

RUBBER SLIP-JOINT WASHERS

Stk. No.	Carded Stk. No.	Part No.	Nut Size	Tube Size	O.D.	I.D.	Height	Use Ring No.
36644B, W	80791	2	1¼"	1¼"	1 ⁷ / ₁₆ "	1¼"	3/16"	2
36646B, W	—	2B	1¼"	1¼"	1½"	1¼"	3/16"	2
36647B, W	—	3	1½"	1¼"	1 ²³ / ₃₂ "	1 ⁷ / ₃₂ "	3/16"	3
36649B, W	80792	6	1½"	1½"	1 ⁹ / ₁₆ "	1 ⁵ / ₁₆ "	3/16"	6
38836B	—	—	1½"	1½"	"	"	"	6
36651B, W	—	6B	1½"	1½"	1 ³ / ₄ "	1½"	3/16"	6
36652B	—	7	2"	2"	2 ¹ / ₁₆ "	1 ⁷ / ₈ "	3/16"	7
36642B	—	2L	1¼"	1¼"	1 ¹ / ₁₆ "	1 ³ / ₁₆ "	1/8"	2
36643B	—	6L	1½"	1½"	1 ¹¹ / ₁₆ "	1 ⁷ / ₁₆ "	1/8"	6

"L" - Thin Wall "B" - Heavy Wall



HEAVY BRASS FLAT SLIP-JOINT FRICTION RINGS

Brass Friction Rings Are Stamped from Heavy Gauge First-Run Brass

- True Dimensions Are Held in All Cases with No "Dishing" Whatsoever
- All Washers Are Flat

Stk. No.	Part No.	Nut Size	Tube Size	O.D.	I.D.	Use w/Washer
36675B	2	1¼"	1¼"	1½"	1 ¹⁷ / ₆₄ "	2, 2B
36617B	J	½"	3/8"	45/64"	25/64"	19
36612B	B	½"	7/16"	1 ¹ / ₁₆ "	29/64"	23

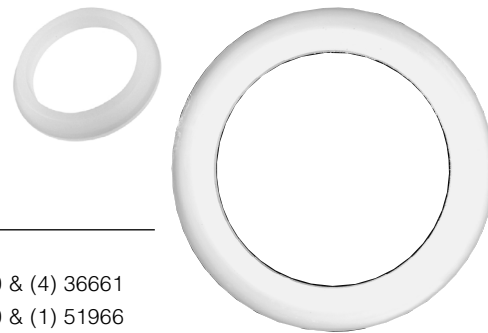


POLY SLIP-JOINT WASHERS

- Molded in One Piece from First-Grade Polyethylene
- Beveled for a Sure Grip and Positive Fit
- Impervious to All Acids, Detergents, Minerals and Pipe Cleaning Chemicals
- No Brass Friction Rings Needed - Make Up "Hand Tight"

Product Stk. No.	Size	O.D.	Carded I.D.	Thick	Stk. No.	Description
36660B, W*	1¼"	1½"	1¼"	¼"		
36661B, W*	1½"	1¾"	1½"	¼"	81086	Contains: (4) 36660 & (4) 36661
36662B, W*	1½"	1¾"	1¼"	¼"	86809	Contains: (1) 36660 & (1) 51966
					89136	Contains: (4) 36660
					89137	Contains: (4) 36661

* Reducing type - 1½" x 1¼"



MOLDED SLIP JOINT NUTS

Carded Stk. No.	Description
86786	Contains: (1) 1½" x 1½" White Nut, (1) 36662 Washer
86797	Contains: (1) 1½" x 1½" White Nut, (1) 36661 Washer





COMPRESSION & DRAIN

BRASS FITTINGS ASSORTMENTS

SLIP-JOINT NUTS

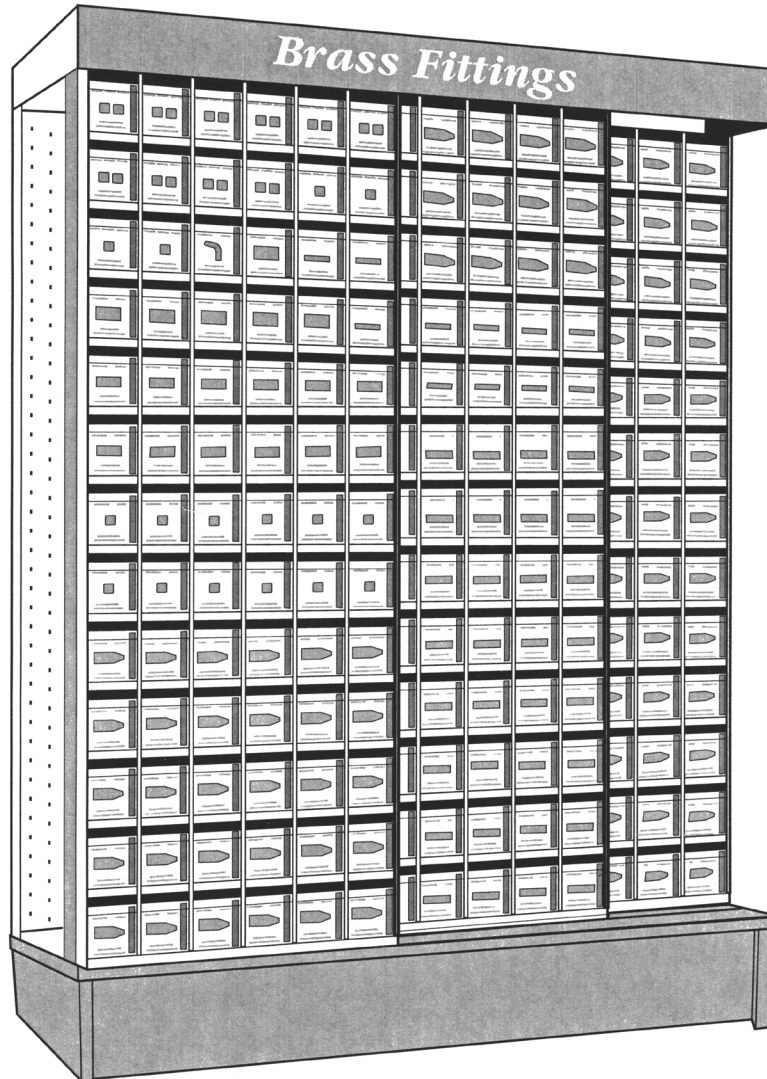
Chromed Nuts Have Triple Chrome Finish in Either Brass or Die Cast... and Each Nut is Tested to Operate Far Beyond Its Need



Carded Stk. No.	Part Description	I.P.S. No.	Reamed for Size	O.D. Type	*Use Washer	Type	Finish
88738	with Washer & Ring	4	1/2"	1/2"	22-D-M	Brass	Chrome
88731	with Washer & Ring	5	1/2"	1/2"	24	Brass	Plain
80750	with Washer	10	1/4"	1/4"	2-2B	Die Cast	Chrome
86787	with Washer & Ring	16D	1 1/2"	1 1/2"	5	Brass	Chrome
80751	with Washer	17	1 1/2"	1 1/2"	6-6B	Die Cast	Chrome

BRASS FITTINGS TIP BIN PROGRAM

- Designed to Meet Your Customer s Needs
- Parts Are Packaged In Individual Color-Coded Bags with UPC Codes
- Contains Over 300 Fittings, Elbows, Nipples, Unions, Adapters, Nuts and Couplings, etc. In a Wide Variety of Sizes



Gondola Not Included

Stk. No.	Description
52746E	Fittings Assortment Contains 328 types of fittings in tip bins (2-Door System)
83180	Fittings Frame Assembly (Empty)

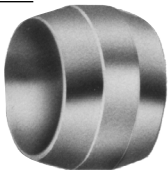


BRASS COMPRESSION FITTINGS

BRASS COMPRESSION SLEEVE

- Series 60

Stk. No. 1 per Bag	Carded Stk. No.	Description
35911B	—	1/8" O.D. Tube
35912B	—	3/16" O.D. Tube
35913B	—	1/4" O.D. Tube
35914B	—	5/16" O.D. Tube
35915B	—	3/8" O.D. Tube
35916B	—	7/16" O.D. Tube
35917B	—	1/2" O.D. Tube
35919B	88898(3)	5/8" O.D. Tube
94537B	—	3/4" O.D. Tube
94538B	—	7/8" O.D. Tube



BRASS COMPRESSION NUT

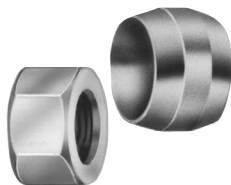
- Series 61



Stk. No. 1 per Bag	Stk. No. 5 per Bag	Description
52608B	—	1/8" O.D. Tube
94540B	—	3/16" O.D. Tube
52440B	94541B	1/4" O.D. Tube
52532B	—	5/16" O.D. Tube
50334B	94543B	3/8" O.D. Tube
94544B	—	7/16" O.D. Tube
52441B	—	1/2" O.D. Tube
52442B	—	5/8" O.D. Tube
94546B	—	3/4" O.D. Tube
94547B	—	7/8" O.D. Tube

COMPRESSION NUTS & SLEEVES

- Chrome
- Packaged 2 Nuts & 2 Sleeves per Card

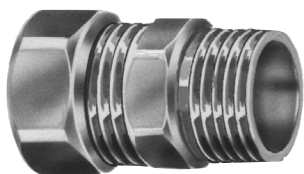


Carded

Stk. No.	Description
80235	3/8" O.D. Comp. Nuts & Sleeves

BRASS COMPRESSION x MALE PIPE ADAPTER

- Series 68



Stk. No.	Description
94405BE	1/8" O.D. Tube x 1/8" Male Pipe
94344BE	3/16" O.D. Tube x 1/8" Male Pipe
52452BE	1/4" O.D. Tube x 1/8" Male Pipe
52453BE	1/4" O.D. Tube x 1/4" Male Pipe
94553BE	1/4" O.D. Tube x 3/8" Male Pipe
94407BE	1/4" O.D. Tube x 1/2" Male Pipe
94408BE	5/16" O.D. Tube x 1/4" Male Pipe
94409BE	3/8" O.D. Tube x 1/8" Male Pipe
52454BE	3/8" O.D. Tube x 1/4" Male Pipe
52455BE	3/8" O.D. Tube x 3/8" Male Pipe
52456BE	3/8" O.D. Tube x 1/2" Male Pipe
94413BE	3/8" O.D. Tube x 3/4" Male Pipe
94414BE	1/2" O.D. Tube x 1/4" Male Pipe
52457BE	1/2" O.D. Tube x 3/8" Male Pipe
52458BE	1/2" O.D. Tube x 1/2" Male Tube
94416BE	1/2" O.D. Tube x 3/4" Male Tube
52459BE	5/8" O.D. Tube x 1/2" Male Tube
94417BE	5/8" O.D. Tube x 3/4" Male Tube
94418BE	3/4" O.D. Tube x 3/4" Male Tube
94555BE	7/8" O.D. Tube x 3/4" Male Tube

BRASS COMPRESSION UNION

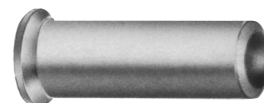
- Series 62



Stk. No.	Description
52534BE	1/8" O.D. Tube
94549BE	3/16" O.D. Tube
50236BE	1/4" O.D. Tube
94384BE	5/16" O.D. Tube
50239BE	3/8" x 1/4" O.D. Tube
50186BE	3/8" O.D. Tube
50237BE	1/2" O.D. Tube
50179BE	5/8" x 3/8" O.D. Tube
50183BE	5/8" x 1/2" O.D. Tube
50238BE	5/8" O.D. Tube
94389BE	3/4" O.D. Tube
94551BE	7/8" O.D. Tube

BRASS INSERT FOR PLASTIC TUBING

- Series 63 PT



Stk. No. 1 per Bag	Description
52425BE	1/4" O.D. Size
52426BE	3/8" O.D. Size
52427BE	1/2" O.D. Size
52428BE	5/8" O.D. Size

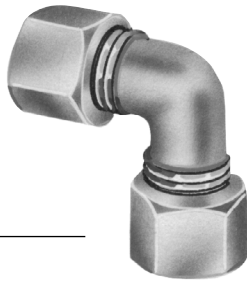


COMPRESSION & DRAIN

BRASS COMPRESSION & FLARE FITTINGS

BRASS COMPRESSION x COMPRESSION ELBOW

- Series 65

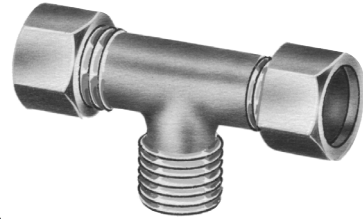


Stk. No.	Description
----------	-------------

- | | |
|---------|----------------|
| 52461BE | 3/8" O.D. Tube |
| 52464BE | 5/8" O.D. Tube |

BRASS COMPRESSION TEE x MALE PIPE ON BRANCH

- Series 72

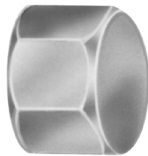


Stk. No.	Description
----------	-------------

- | | |
|---------|---------------------------------|
| 94420BE | 3/8" O.D. Tube x 1/4" Male Pipe |
|---------|---------------------------------|

BRASS COMPRESSION CAP

- Series 61CP
- Packaged 2 Caps per Card

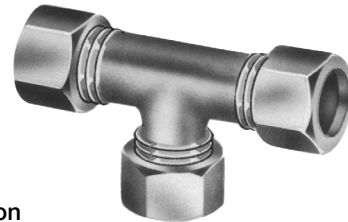


Stk. No.	Description
----------	-------------

- | | |
|---------|----------------|
| 52363BE | 1/4" O.D. Tube |
| 52374BE | 3/8" O.D. Tube |

BRASS COMPRESSION TEE

- Series 64

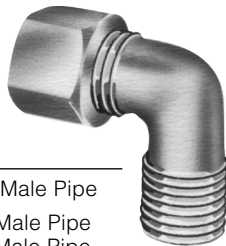


Stk. No.	Description
----------	-------------

- | | |
|---------|------------------------------|
| 52473BE | 1/4" O.D. Tube |
| 94422BE | 3/8" x 3/8" x 1/4" O.D. Tube |
| 52474BE | 3/8" O.D. Tube |
| 52476BE | 5/8" O.D. Tube |

BRASS COMPRESSION x MALE PIPE ELBOW

- Series 69

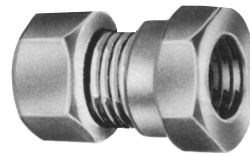


Stk. No.	Description
----------	-------------

- | | |
|---------|----------------------------------|
| 94432BE | 3/16" O.D. Tube x 1/8" Male Pipe |
| 52465BE | 1/4" O.D. Tube x 1/8" Male Pipe |
| 52466BE | 1/4" O.D. Tube x 1/4" Male Pipe |
| 94436BE | 3/16" O.D. Tube x 1/4" Male Pipe |
| 94437BE | 3/8" O.D. Tube x 1/8" Male Pipe |
| 52467BE | 3/8" O.D. Tube x 1/4" Male Pipe |
| 52468BE | 3/8" O.D. Tube x 3/8" Male Pipe |
| 52469BE | 3/8" O.D. Tube x 1/2" Male Pipe |
| 52471BE | 1/2" O.D. Tube x 1/2" Male Pipe |
| 52472BE | 5/8" O.D. Tube x 1/2" Male Pipe |

BRASS COMPRESSION x FEMALE PIPE ADAPTER

- Series 66



Stk. No.	Description
----------	-------------

- | | |
|---------|-----------------------------------|
| 52444BE | 1/4" O.D. Tube x 1/8" Female Pipe |
| 52445BE | 1/4" O.D. Tube x 1/4" Female Pipe |
| 52446BE | 3/8" O.D. Tube x 1/4" Female Pipe |
| 52447BE | 3/8" O.D. Tube x 3/8" Female Pipe |
| 52448BE | 3/8" O.D. Tube x 1/2" Female Pipe |
| 52450BE | 1/2" O.D. Tube x 1/2" Female Pipe |
| 52451BE | 5/8" O.D. Tube x 1/2" Female Pipe |

BRASS FLARE NUT

- Series 40

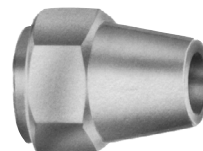


Stk. No.	Description
----------	-------------

- | | |
|---------|----------------|
| 94231BE | 1/4" O.D. Tube |
| 94503BE | 3/8" O.D. Tube |
| 94504BE | 1/2" O.D. Tube |
| 94505BE | 5/8" O.D. Tube |

BRASS FLARE NUT

- Series 41S



Stk. No.	Description
----------	-------------

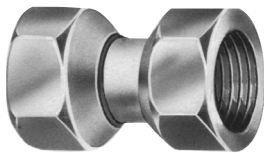
- | | |
|---------|-----------------|
| 94497BE | 3/16" O.D. Tube |
| 50698BE | 1/4" O.D. Tube |
| 50699BE | 3/8" O.D. Tube |



BRASS FLARE FITTINGS

BRASS SWIVEL NUT

- Series 39SV

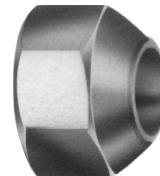


Stk. No.	Description
----------	-------------

94228BE	3/8" O.D. Tube
94229BE	1/2" O.D. Tube
94230BE	5/8" O.D. Tube

BRASS FLARE CAP

- Series 37

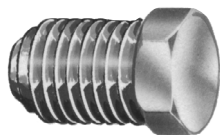


Stk. No.	Description
----------	-------------

1 per Bag	Description
550692BE	— 1/2" O.D. Tube

BRASS FLARE PLUGS

- Series 57



Stk. No.	Description
----------	-------------

1 per Bag	Description
-----------	-------------

50694BE	1/4" O.D. Tube
52477BE	3/8" O.D. Tube
52478BE	1/2" O.D. Tube
50697BE	5/8" O.D. Tube

BRASS FLARE BY FLARE ELBOW

- Series 55

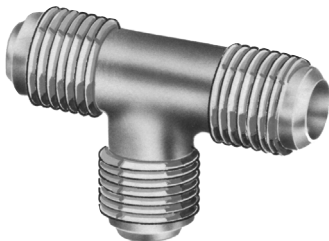


Stk. No.	Description
----------	-------------

50735BE	3/8" O.D. Tube x 3/8" O.D. Tube
50736BE	1/2" O.D. Tube x 1/2" O.D. Tube

BRASS FLARE TEE

- Series 44



Stk. No.	Description
----------	-------------

52504BE	3/8" O.D. Tube
---------	----------------

BRASS FLARE x MALE PIPE ELBOW

- Series 49

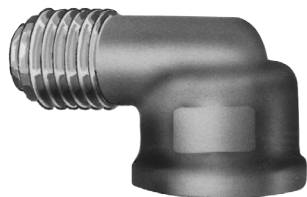


Stk. No.	Description
----------	-------------

52499BE	1/4" O.D. Tube x 1/8" Male Pipe
50740BE	3/8" O.D. Tube x 3/8" Male Pipe
50742BE	1/2" O.D. Tube x 3/8" Male Pipe
50743BE	1/2" O.D. Tube x 1/2" Male Pipe

BRASS FLARE x FEMALE PIPE ELBOW

- Series 50

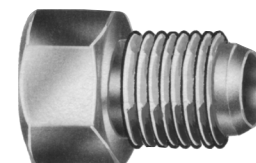


Stk. No.	Description
----------	-------------

52491BE	3/8" O.D. Tube x 3/8" Female Pipe
---------	-----------------------------------

BRASS FLARE x FEMALE PIPE ADAPTER

- Series 46



Stk. No.	Description
----------	-------------

94363BE	1/4" O.D. Tube x 1/8" Female Pipe
52481BE	1/4" O.D. Tube x 1/4" Female Pipe
50726BE	3/8" O.D. Tube x 1/4" Female Pipe
52483BE	1/2" O.D. Tube x 3/8" Female Pipe
52484BE	1/2" O.D. Tube x 3/4" Female Pipe

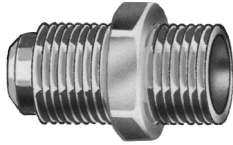


COMPRESSION & DRAIN

BRASS FLARE FITTINGS

BRASS FLARE x MALE PIPE ADAPTER

• Series 48

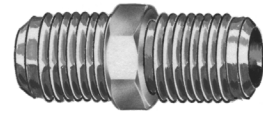


Stk. No. Description

52486BE	1/4" O.D. Tube x 1/8" Male Pipe
52487BE	1/4" O.D. Tube x 1/4" Male Pipe
94368BE	1/4" O.D. Tube x 3/8" Male Pipe
94369BE	1/4" O.D. Tube x 1/2" Male Pipe
94514BE	5/16" O.D. Tube x 1/4" Male Pipe
94515BE	3/8" O.D. Tube x 1/8" Male Pipe
52488BE	3/8" O.D. Tube x 1/4" Male Pipe
50718BE	3/8" O.D. Tube x 3/8" Male Pipe
50719BE	3/8" O.D. Tube x 1/2" Male Pipe
94520BE	1/2" O.D. Tube x 1/4" Male Pipe
52489BE	1/2" O.D. Tube x 3/8" Male Pipe
50721BE	1/2" O.D. Tube x 1/2" Male Pipe
94521BE	1/2" O.D. Tube x 3/4" Male Pipe
94338BE	5/8" O.D. Tube x 3/8" Male Tube
50723BE	5/8" O.D. Tube x 1/2" Male Tube
94523BE	3/4" O.D. Tube x 1/2" Male Tube

BRASS FLARE UNION

• Series 42



Stk. No. Description

52479BE	1/4" O.D. Tube
94507BE	5/16" O.D. Tube
50710BE	3/8" O.D. Tube
94509BE	1/2" x 3/8" O.D. Tube
50711BE	1/2" O.D. Tube
94597BE	5/8" x 1/2" O.D. Tube

BRASS FLARE ADAPTERS

* Texas Pattern



Stk. No. Description

52701E	3/8" Male Comp x 3/8" Fine Thread Female Flare
--------	--

BRASS GARDEN HOSE FITTINGS

GARDEN HOSE DISHWASHER ADAPTER

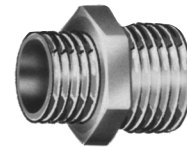


Stk. No. Description

9DP06365	Garden Hose Dishwasher Adapter (3 Pack) 3/8" Comp x 3/4" GHTF
----------	--

BRASS MALE HOSE x MALE PIPE

• Series GH 70



Stk. No. Description

52153B	3/4" Male Hose x 1/2" Male Pipe
94564B	3/4" Male Hose x 3/4" Male Pipe

BRASS FEMALE HOSE x MALE PIPE

• Series GH 82



Stk. No. Description

52155B	3/4" Female Hose x 1/2" Male Pipe
94479B	3/4" Female Hose x 3/4" Male Pipe

BRASS FEMALE HOSE x FEMALE PIPE

• Series GH 98

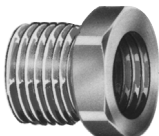


Stk. No. Description

52370B	3/4" Female Hose x 1/2" Female Pipe
52156B	3/4" Female Hose x 3/4" Female Pipe

BRASS MALE HOSE x FEMALE PIPE

• Series GH 80



Stk. No. Description

52593B	3/4" Male Hose x 1/2" Female Pipe
52238B	3/4" Male Hose x 3/4" Female Pipe

BRASS SWIVEL BODY FEMALE HOSE x FEMALE PIPE

• Series GH 99



Stk. No. Description

52158B	3/4" Female Hose x 1/2" Female Pipe
52157B	3/4" Female Hose x 3/4" Female Pipe

BRASS SWIVEL FEMALE HOSE x FEMALE HOSE

• Series GH 101



Stk. No. Description

52159B	3/4" Female Hose x 3/4" Female Hose
--------	-------------------------------------



BARB FITTINGS

BRASS HOSE BARB TO HOSE BARB

- Series HB 42

Stk. No.	Description
----------	-------------

94444BE	3/16" I.D. Hose
94445BE	1/4" I.D. Hose
94446BE	5/16" I.D. Hose
94447BE	3/8" I.D. Hose
52151BE	1/2" I.D. Hose



BRASS HOSE BARB x MALE PIPE

- Series HB 48

Stk. No.	Description
----------	-------------

94461BE	1/8" I.D. Hose x 1/8" Male Pipe
94462BE	3/16" I.D. Hose x 1/8" Male Pipe
94556BE	1/4" I.D. Hose x 1/8" Male Pipe
94557BE	1/4" I.D. Hose x 1/4" Male Pipe
94464BE	1/4" I.D. Hose x 3/8" Male Pipe
94558BE	5/16" I.D. Hose x 1/8" Male Pipe
94465BE	5/16" I.D. Hose x 1/4" Male Pipe
94353BE	3/8" I.D. Hose x 1/4" Male Pipe
94559BE	3/8" I.D. Hose x 3/8" Male Pipe
94466BE	3/8" I.D. Hose x 1/2" Male Pipe
94560BE	1/2" I.D. Hose x 1/4" Male Pipe
94467BE	1/2" I.D. Hose x 3/8" Male Pipe
94561BE	1/2" I.D. Hose x 1/2" Male Pipe
94468BE	5/8" I.D. Hose x 3/8" Male Pipe
94469BE	5/8" I.D. Hose x 1/2" Male Pipe
94562BE	5/8" I.D. Hose x 3/4" Male Pipe
94354BE	3/4" I.D. Hose x 1/2" Male Pipe
94563BE	3/4" I.D. Hose x 3/4" Male Pipe



BRASS HOSE BARB x FEMALE PIPE

- Series HB 46

Stk. No.	Description
----------	-------------

94449BE	1/4" I.D. Hose x 1/8" Female Pipe
94450BE	1/4" I.D. Hose x 1/4" Female Pipe
94451BE	3/8" I.D. Hose x 1/4" Female Pipe
94452BE	3/8" I.D. Hose x 3/8" Female Pipe
94453BE	3/8" I.D. Hose x 1/2" Female Pipe
94647BE	1/2" I.D. Hose x 3/8" Female Pipe
94454BE	1/2" I.D. Hose x 1/2" Female Pipe

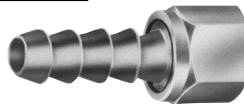


BRASS HOSE BARB x FLARE SWIVEL

- Series HBS 56

Stk. No.	Description
----------	-------------

94460BE	3/8" I.D. Hose x 3/8" Flare Swivel
---------	------------------------------------



BRASS PIPE FITTINGS

BRASS FACE BUSHING

- Series FB 110



Stk. No.	Description
----------	-------------

94651B	3/4" Male Hose x 1/2" Female Pipe
--------	-----------------------------------

BRASS MALE PIPE x FEMALE PIPE ADAPTER

- Series 222



Stk. No.	Description
----------	-------------

94565BE	1/8" Male Pipe x 1/8" Female Pipe
94481BE	1/8" Male Pipe x 1/4" Female Pipe
94566BE	1/4" Male Pipe x 3/8" Female Pipe

BRASS PIPE HEX HEAD PLUG

- Series 218

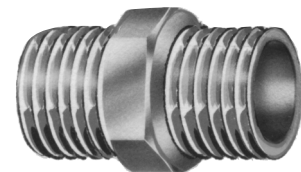


Stk. No.	Description
----------	-------------

1 per Bag	Description
94567BE	1/8" Male Pipe
94568BE	1/4" Male Pipe
94569BE	3/8" Male Pipe
94570BE	1/2" Male Pipe

BRASS NIPPLE WITH HEX

- Series 216



Stk. No.	Description
----------	-------------

94571BE	1/8" Male Pipe
94572BE	1/4" x 1/8" Male Pipe
94573BE	1/4" Male Pipe
94652BE	3/8" Male Pipe

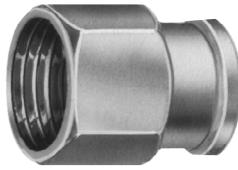


COMPRESSION & DRAIN

BRASS PIPE FITTINGS

BRASS REDUCER COUPLING

• Series 208

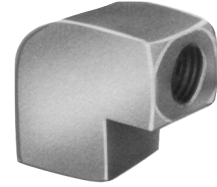


Stk. No. Description

54098BE	3/8" Female Pipe x 1/4" Female Pipe
54101BE	1/2" Female Pipe x 3/8" Female Pipe
54104BE	3/4" Female Pipe x 1/2" Female Pipe
94254BE	1" Female Pipe x 3/4" Female Pipe

BRASS FEMALE PIPE ELBOW

• Series 100



Stk. No. Description

54044BE	1/8" Female Pipe x 1/8" Female Pipe
54045BE	1/4" Female Pipe x 1/4" Female Pipe
54046BE	3/8" Female Pipe x 3/8" Female Pipe
54047BE	1/2" Female Pipe x 1/2" Female Pipe
54048BE	3/4" Female Pipe x 3/4" Female Pipe

BRASS PIPE TEE

• Series 101

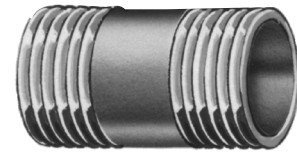


Stk. No. Description

54075BE	1/4" Female Pipe
54076BE	3/8" Female Pipe
54077BE	1/2" Female Pipe
54078BE	3/4" Female Pipe

BRASS NIPPLES

• Series 113



Stk. No. Description

54000BE	1/8" Male Pipe x Close Length
54001BE	1/8" Male Pipe x 1 1/2" Length
54002BE	1/8" Male Pipe x 2" Length
54007BE	1/4" Male Pipe x Close Length
54008BE	1/4" Male Pipe x 1 1/2" Length
54009BE	1/4" Male Pipe x 2" Length
54014BE	3/8" Male Pipe x Close Length
54015BE	3/8" Male Pipe x 1 1/2" Length
54016BE	3/8" Male Pipe x 2" Length
54021BE	1/2" Male Pipe x Close Length
54022BE	1/2" Male Pipe x 1 1/2" Length
54023BE	1/2" Male Pipe x 2" Length
54033BE	3/4" Male Pipe x Close Length
54034BE	3/4" Male Pipe x 1 1/2" Length
54035BE	3/4" Male Pipe x 2" Length

BRASS PIPE BUSHING

• Series 209

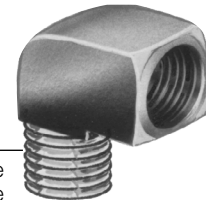


Stk. No. Description

54086BE	1/4" Male Pipe x 1/8" Female Pipe
54088BE	3/8" Male Pipe x 1/4" Female Pipe
54089BE	1/2" Male Pipe x 1/8" Female Pipe
54090BE	1/2" Male Pipe x 1/4" Female Pipe
54091BE	1/2" Male Pipe x 3/8" Female Pipe
54093BE	3/4" Male Pipe x 1/4" Female Pipe
54094BE	3/4" Male Pipe x 3/8" Female Pipe
54095BE	3/4" Male Pipe x 1/2" Female Pipe

BRASS STREET ELBOW

• Series 116

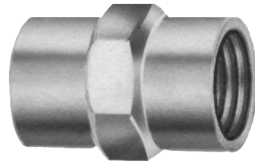


Stk. No. Description

54054BE	1/8" Female Pipe x 1/8" Male Pipe
54055BE	1/4" Female Pipe x 1/4" Male Pipe
54056BE	3/8" Female Pipe x 3/8" Male Pipe
54057BE	1/2" Female Pipe x 1/2" Male Pipe
54058BE	3/4" Female Pipe x 3/4" Male Pipe

BRASS PIPE COUPLING

• Series 207

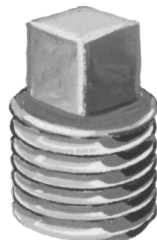


Stk. No. Description

54070BE	1/4" Female Pipe
54071BE	3/8" Female Pipe
54072BE	1/2" Female Pipe
54073BE	3/4" Female Pipe

BRASS PIPE PLUG

• Series 211

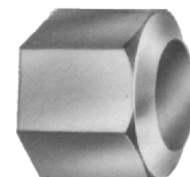


Stk. No. Description

54064BE	1/8" Male Pipe
54065BE	1/4" Male Pipe
54066BE	3/8" Male Pipe
54067BE	1/2" Male Pipe
54068BE	3/4" Male Pipe

BRASS PIPE CAP

• Series 213



Stk. No. Description

54059BE	1/8" Female Pipe
54060BE	1/4" Female Pipe
54061BE	3/8" Female Pipe
54062BE	1/2" Female Pipe
54063BE	3/4" Female Pipe



BRASS VALVES

BRASS DRAIN SHUT-OFF VALVE

- Series 247



Stk. No. Description

94620B 1/4" M.I.P.

BRASS BACK SEAT DRAIN COCK

- Series 135



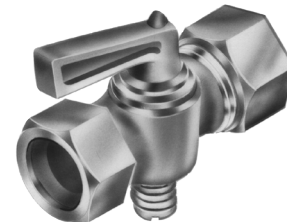
Stk. No. Description

52362B 1/8" M.I.P.

52382B 1/4" M.I.P.

BRASS SHUT-OFF VALVE COMPRESSION x COMPRESSION

- Series 134



Stk. No. Description

94615BE 1/4" O.D. Tube

94616BE 3/8" O.D. Tube

TUBULAR DRAIN REPAIR ASSORTMENTS

TUBULAR DRAIN REPAIR ASSORTMENTS

DANCO Perfect Match has Tubular Drain Programs developed to meet the changing merchandising needs of our hardware store customers. Our packaging for these programs is a dynamic merchandising tool printed in full color with the product color-coded by type. Bagged product creates a smaller package that works harder to maximize your retail space, allowing you to merchandise 40% more than you would with a skin card package.

Managing a Product Category Has Never Been Easier Than It Is Now With The DANCO Perfect Match Tubular Drain System

- A self-help merchandising system with packages color-coded by type and tied into product identification aisle flags
- Dynamic Packaging:
 - Graphics depict product assembled, making identification a snap
 - Bilingual product descriptions
 - Complete Easy-To-Follow instructions



Gondola Not Included

Stk. No. Description

81104 Flexible Tubular Drain Repair 2' Assortment

81105 White Plastic Tubular Drain Repair 4' Assortment

Stk. No. Description

81108 Flexible Tubular Drain Repair (3) 2' Assortment

81109 White Plastic Tubular Drain Repair (3) 4' Assortment

FREE MERCHANDISING SYSTEM COMPONENTS

- Aisle Flag
- Header
- Scan Tag Labels
- Planogram



COMPRESSION & DRAIN

WHITE PLASTIC TUBULAR

P-TRAP

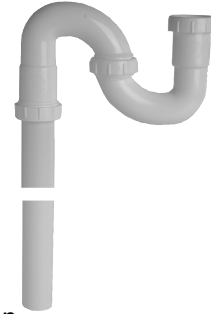
- Polypro Plastic
- Includes (2) Each Easy Tight Slip-Joint Nuts
- Comes in Display Polybag



Bagged Stk. No.	Size	Description
94003	1½"	P-Trap with 2 Nuts
94004	1¼"	P-Trap with 2 Nuts
94005	1½"	P-Trap <i>Swivel</i>

S-TRAP

- Polypro Plastic
- Includes (3) Nuts & Washers



Bagged Stk. No.	Size	Description
94007	1½"	S-Trap with 3 Nuts & Washers
51665	1¼"	S-Trap with 3 Nuts & Washers

1-1/2" END OUTLET TEE

- Slip Joint or Direct Connect
- Polypro Plastic with Baffle
- Comes in Display Polybag



Bagged Stk. No.	Size	Description
94010	1½"	End Outlet Tee with 3 Nuts & Washers

1-1/2" CENTER OUTLET TEE

- Slip Joint
- Polypro Plastic with Baffle
- Comes in Display Polybag



Bagged Stk. No.	Size	Description
94012	1½"	Center Outlet Tee with 2 Nuts & Washers

1-1/2" WASTE ARM

- Slip Joint or Direct Connect
- Polypro Plastic
- 2 Sizes
- Comes in Display Polybag



Bagged Stk. No.	Size	Description
94013	1½" x 7"	Waste Arm with 2 Nuts & Washers
94014	1½" x 15"	Waste Arm with 2 Nuts & Washers

1-1/4" WALL BEND

- Ground Joint
- Polypro Plastic
- Comes in Display Polybag



Bagged Stk. No.	Size	Description
54444	1¼" x 8"	Wall Bend

PVC CONTINUOUS WASTE

- Slip Joint or Direct Connect
- Center Outlet



Bagged Stk. No.	Size	Description
50974	1½" x 16"	Center Outlet Waste with 6 Nuts & Washers

1-1/2" END OUTLET WASTE

- Slip Joint or Direct Connect
- Polypro Plastic with Baffle
- Comes in Display Polybag



Bagged Stk. No.	Size	Description
94008	1½" x 16"	End Outlet Waste with 5 Nuts and 5 Washers



WHITE PLASTIC TUBULAR

1-1/2" FLANGED TAILPIECE

- Polypro Plastic
- 5 Sizes
- Comes in Display Polybag



Bagged

Stk. No.	Size	Description
94016	1 1/2" x 4"	Direct Connect
94018	1 1/2" x 6"	Direct Connect
94020	1 1/2" x 12"	Direct Connect
94021	1 1/2" x 16"	Direct Connect (Double Ended)

SLIP-JOINT EXTENSION TUBE

- Polypro Plastic
- 5 Sizes
- Comes in Display Polybag



Bagged

Stk. No.	Size	Description
94029	1 1/2" x 6"	Slip-Joint
51668	1 1/4" x 8"	Slip-Joint
94031	1 1/2" x 12"	Slip-Joint
51669	1 1/4" x 12"	Slip-Joint

COMPLETE BATH WASTE & OVERFLOW

- Available in 3 Styles
- Comes in Display Box



Bagged

Stk. No.	Type	Finish
51932	Trip Lever	White Plastic / Chrome
51933	Twist 'N' Close	White Plastic / Chrome
51930	EZ Touch	White Plastic / Chrome

1-1/2" DISHWASHER TAILPIECE

with 1/2" O.D. BRANCH

- Slip Joint or Direct Connect Styles
- Polypro Plastic
- Comes in Display Polybag



Slip-Joint Style



Direct Connect Style

Bagged

Stk. No.	Size	Description
94023	1 1/2" x 8"	Direct Connect
94057	1 1/2" x 8"	Slip-Joint

1-1/2" J-BEND

- Slip Joint
- Polypro Plastic
- Comes in Display Polybag



Bagged

Stk. No.	Size	Description
94006	1 1/2" x 1 1/2" or 1 1/4"	J-Bend



COMPRESSION & DRAIN

WHITE PLASTIC TUBULAR

1-1/2" PVC TRAP ADAPTER

- Comes in Display Polybag
- Slip Joint Solvent Weld



Bagged Stk. No.	Size	Description
94041	1 1/2"	Trap Adapter with Nut & Washer

WHITE PLASTIC SLEEVE

- Series 60 PT



Product Stk. No.	Description
(1) Bag	
52429B	1/4" O.D. Size
52430B	5/16" O.D. Size
52431B	3/8" O.D. Size
52432B	1/2" O.D. Size
52433B	5/8" O.D. Size

1-1/2" 90° ELBOW

- Polypro Plastic
- Comes in Display Polybag



Bagged Stk. No.	Size	Description
94034	1 1/2" x 1 1/2"	90° Elbow with 2 Nuts & Washers

COUPLING

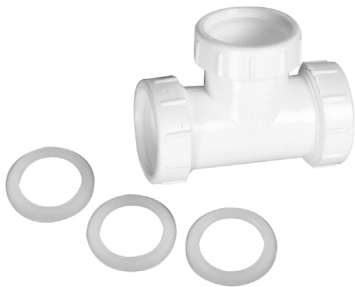
- Polypro Plastic
- Comes in Display Polybag



Bagged Stk. No.	Size	Description
94036	1 1/4" or 1 1/2"	Coupling with 2 Nuts & Washers

TEE

- Polypro Plastic
- Comes in Display Polybag



Bagged Stk. No.	Size	Description
94038	1 1/4" or 1 1/2"	Tee with 3 Nuts & Washers

1-1/2" MOLDED WALL TUBE

- Ground Joint
- PVC Plastic
- Comes in Display Polybag



Bagged Stk. No.	Size	Description
50994	1 1/2" x 7 3/4"	Wall Bend

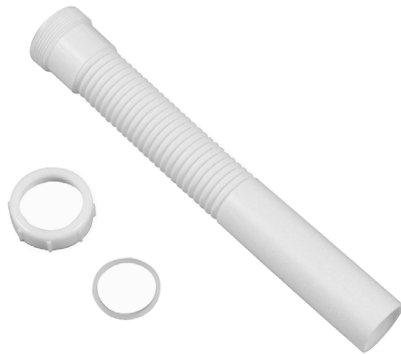


FLEXIBLE PLASTIC TUBULAR

FLEXIBLE PLASTIC DRAIN SYSTEM

- Compatible with All Existing Drain Systems
- Flexibility Allows for Offset Connections of Up to 2"
- Non-Corrosive – Will Not Pit or Rust
- Connects to Either Plastic or Metal: 1½" or 1¼"
- No Freeze-Ups
- Resists Clogging

TAILPIECE EXTENSIONS



Bagged Stk. No.	Size	Description
51068	1½" x 12"	Tailpiece Extension w/High Line Captured Nut Connects Directly to Sink Strainer Assembly
51069	1½" x 11½"	Tailpiece Extension Slip-Joint Connection
51070	1¼" x 9"	Tailpiece Extension Slip-Joint Connection

"J" BENDS



Bagged Stk. No.	Size	Description
51066	1½" x 1½" or 1¼"	Sink Trap w/Cast Elbow Adapter

POP-UP ASSEMBLY

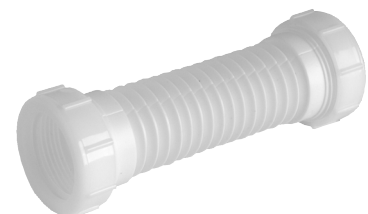
Flexibility Allows for Offset Connections of up to 2"



Carded Stk. No.	Size	Description
88116	1¼"	Flexible Pop-Up Drain Assembly Complete w/Lift Rod & Plunger

SLIP-JOINT COUPLING

- 6"



Bagged Stk. No.	Size	Description
51067	1½" x 1½" or 1¼"	Slip Joint Coupling w/2 Nuts, 2 Washers & 2 Friction Rings



COMPRESSION & DRAIN

BLACK PLASTIC TUBULAR

P-TRAP

- Slip Joint
- 2 Sizes: 1/4" or 1/2"
- Comes in Display Polybag



Bagged Stk. No.	Size	Description
94996	1/2" or 1/4"	P-Trap with 2 Nuts & 2 Washers

1-1/2" S-TRAP

- Slip Joint
- 2 Sizes
- Comes in Display Polybag



Bagged Stk. No.	Size	Description
50931	1 1/2" x 1 1/2"	Slip Joint x Solvent Weld

J-BEND

- Slip Joint
- Size: 1/2" or 1/4"
- ABS Plastic
- Comes In Display Polybag



Bagged Stk. No.	Size	Description
94999	1/2" or 1/4"	Slip Joint Combo with 2 Nuts & Washers

1-1/2" END OUTLET WASTE

- Slip Joint or Direct Connect
- ABS Plastic
- Comes In Display Polybag



Bagged Stk. No.	Size	Description
54670	1 1/2" x 16"	End Outlet Waste with 3 Nuts & Washers

1-1/2" WASTE ARM

- Slip Joint or Direct Connect
- 2 Sizes
- ABS Plastic
- Comes In Display Polybag



Bagged Stk. No.	Size	Description
54671	1 1/2" x 7"	Waste Arm with 2 Nuts & Washers
54672	1 1/2" x 15"	Waste Arm with 2 Nuts & Washers

1-1/2" TRAP VENT

- ABS Plastic
- Air Automatically Enters Drainage Line to Prevent Syphonage
- Seal Closes as Drainage Stops to Prevent Sewage Gas from Entering Home
- For Use With Sinks, Tubs, Showers & Washing Machines



Bagged Stk. No.	Size	Description
51880	1 1/2"	Display Bag

1-1/2" SLIP-JOINT EXTENSION TUBE

- ABS Plastic
- 3 Sizes
- Comes in Display Polybag



Bagged Stk. No.	Size	Description
54679	1 1/2" x 6"	Slip-Joint
54681	1 1/2" x 16"	Slip-Joint (Double Ended)

1-1/2" FLANGED TAILPIECE

- ABS Plastic
- 5 Sizes
- Comes in Display Polybag



Bagged Stk. No.	Size	Description
54675	1 1/2" x 4"	Direct Connect
54676	1 1/2" x 6"	Direct Connect
54678	1 1/2" x 16"	Direct Connect (Double Ended)

1-1/2" TRAP ADAPTER

- ABS Plastic
- Comes in Display Polybag



Bagged Stk. No.	Size	Description
54674	1 1/2"	Trap Adapter with Nut and Washer



BRASS TUBULAR

1-1/2" CENTER OUTLET WASTE

- Comes in Display Polybag



Bagged Stk. No.	Size	Description
54668	1 1/2" x 4"	Center Outlet Tee Slip Joint Chrome Plated

SLIP-JOINT EXTENSION TUBE

- 22 Gauge
- 4 Sizes
- Comes in Display Polybag



Bagged Stk. No.	Size	Description
51663	1 1/2" x 8"	Satin

SLIP-JOINT CAST TEE

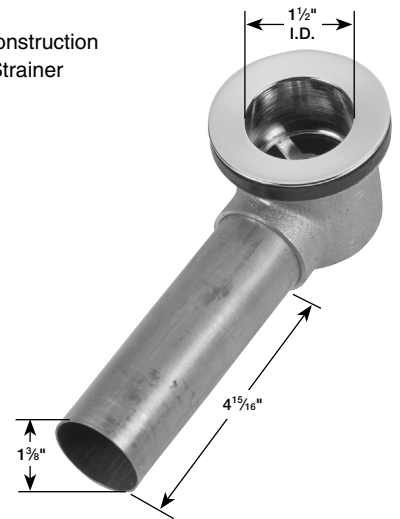
- With Nuts & Washers
- Comes in Polybag



Bagged Stk. No.	Size	Description
50579	1 1/2" x 1 1/2" x 1 1/2"	Satin

WASTE SHOE

- Heavy Gauge Brass Construction
- Complete with Waste Strainer
- 11 1/2" Threads per Inch



Carded Stk. No.
86721

1-1/2" P-TRAP FLANGE

- Fits 1 1/2" IPS Tube
- "Sure Grip"



Carded Stk. No.	Description
88935	Chrome Plated Steel 3 1/2" Outside Diameter x 5/8" Height

1-1/2" BEADED WASTE BEND

- Comes in Display Polybag



Bagged Stk. No.	Size	Description
54142	1 1/2" x 7"	Chrome Plated

TOILET REPAIRS



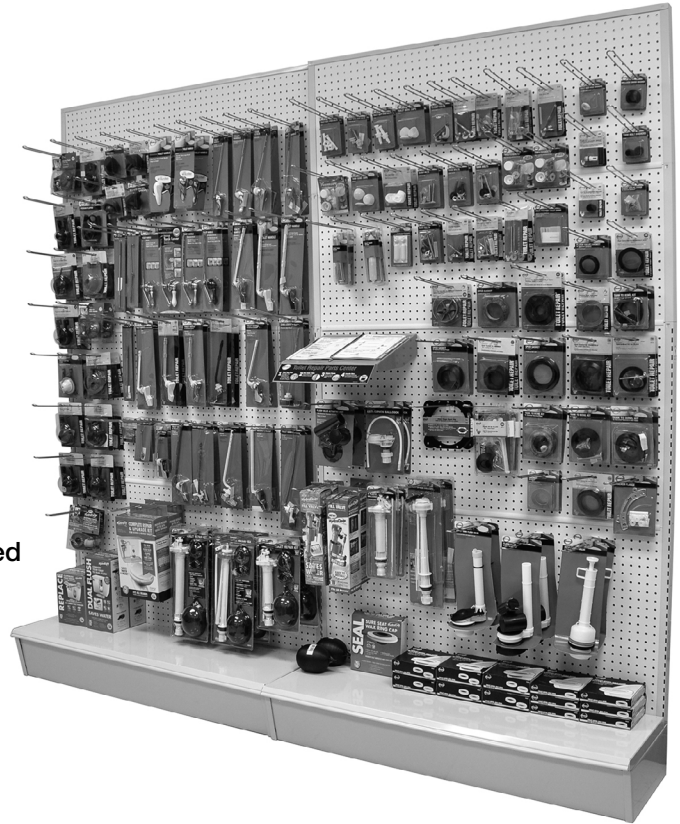
TOILET REPAIR ASSORTMENTS

Complete with Seat Hinges, Hinge Bolts, Spud Gaskets, Seat Bumpers, Tank-To-Bowl Bolts, Flush Valves, Ballcocks, etc...

Also Includes Repairs for Leading Manufacturers Such As:

- American Standard
- Coastmaster
- Eljer
- Mansfield
- Universal Rundle (Sears)

All Items are Carded for Peg Board Display and Are Complete with "Easy-to-Follow" Instructions



Gondola Not Included

Stk. No. Description

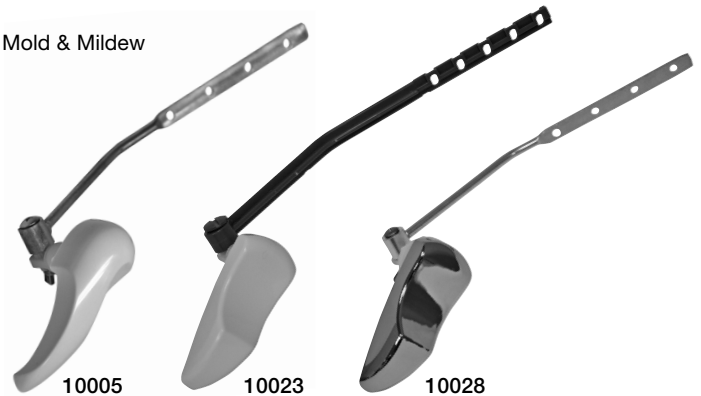
80458A	4' Toilet Repair Assortment Starter Assortment in 4' of Space
81180A	8' Toilet Repair Assortment Standard Assortment in 8' of Space
81194A	4' Toilet Repair Assortment Starter Assortment in 4' of Space (3 each)
81190A	8' Toilet Repair Assortment Standard Assortment in 8' of Space (3 each)

UNIVERSAL TANK LEVERS

UNIVERSAL TOILET HANDLE

- Microban® Antimicrobial Protection inhibits the growth of Bacteria, Mold & Mildew
- Universal Arm fits most front, side & angle mounted toilet handles
- 8" Arm

Stk. No.	Description	Material	
		Handle	Arm
10005	Microban Toilet Handle <i>White</i>	Plastic	Plastic
10031	Microban Toilet Handle <i>Chrome</i>	Plastic	Metal
10023	Microban Toilet Handle <i>White</i>	Plastic	Plastic
10028	Microban Toilet Handle <i>Chrome</i>	Plastic	Metal
10033	Microban Toilet Handle <i>Chrome</i>	Metal	Metal



METAL TANK LEVERS

- Fits Most Toilets
- Single Action
 - Metal Arm & Spud
 - Chrome Plated Handle



40127
(80806)

Bagged Stk. No.	Carded Stk. No.	Description
40127Q*	80806	8" Arm <i>Chrome</i>
—	88010	8" Arm <i>Polished Brass</i>
—	88011	8" Arm <i>Antique Brass</i>

METAL TANK LEVER

- Fits Most Toilets
- 8" Arm
 - Metal Arm & Spud
 - Chrome Plated Handle



Carded Stk. No.	Description
88366	8" Arm



TOILET REPAIRS

UNIVERSAL TANK LEVERS

TANK LEVER

Fits Most Toilets

- 8" Arm
- Metal Arm with Plastic Shank and Nut
- Chrome Plated Handle



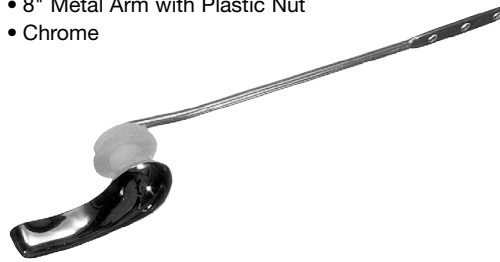
Carded

Stk. No. Description

80373 8" Arm

ECONOMY TANK LEVER

- 8" Metal Arm with Plastic Nut
- Chrome



**BEST
VALUE**

Bagged

Stk. No.

41038

PLASTIC TANK LEVERS

Fits Most Toilets

- 8" Arm
- Chrome Plated Handle



Carded

Stk. No. Description

80372 Chrome Plated

PUSH BUTTON TANK LEVER

- Replaces 90% of Side Mount Push Button Levers
- Plastic 8" Arm



Carded

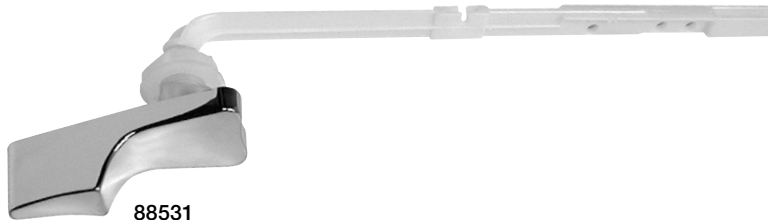
Stk. No.

88368

UNIVERSAL TRIM-TO-FIT TANK LEVERS

- Hi-Impact Plastic Construction
- Can Be Quickly and Easily Cut to Desired Length
- Replaces Tank Levers such as:
 - American Standard #4 and #5
 - Eljer "Touch-Flush"
 - Mansfield #208 & #209
- 10" Length can be Trimmed to 8", 6" or 4"

UNIVERSAL



Carded

Stk. No. Description

88531 Chrome

88593 White

88531

DESIGNER TANK LEVERS

- Fits Most Brands and Models of Toilets
- Fits All Styles of Tanks: Front Mount, Angle Mount and Side Mount
- Available In 5 Popular Finishes
- Ideal For Bathroom Remodeling Jobs
- Premium Quality For Years Of Reliable Service
- Lever Arm Can Be Cut To Size If Necessary
- Easy-to-follow Instructions Makes For Simple Installation



Carded

Stk. No. Description

89447A Chrome

89448A White Porcelain Handle with Chrome

89449A Brushed Nickel

89450A Oil-Rubbed Bronze

89451A Polished Brass

TOILET REPAIRS



BRAND SPECIFIC TANK LEVERS

DUAL FLUSH TOILET HANDLE

Push Down for Water Saving Flush & Push Up for Full Flush

- Reduces Water used in every Flush by Up to 24%
- Universal Design works on all front, side & angle mounts
- Product works with traditional Flapper Toilets



Carded

Stk. No. Description

10071 Chrome

DUAL FLUSH REPLACEMENT BUTTON for DANCO® and NEXT™ by DANCO™

Fits models FLR270, HYR270, HYR271, HYR451, HYR460



Bagged Carded

Stk. No. Stk. No. Description

BSP37 HYR370 Push Button Handle Chrome

DUAL FLUSH REPLACEMENT HANDLE for DANCO® and NEXT™ by DANCO™

Fits models FLR270, HYR270, HYR271, HYR451, HYR460



Bagged Carded

Stk. No. Stk. No. Description

BSP38 HYR381 Dual Handle Brushed Nickel

TANK LEVERS FOR AMERICAN STANDARD & ELJER

- 4" Plastic Arm
- Used with American Standard: Vented Norwall, Compact & Glenwall
- Also Fits Eljer "Touch Flush"

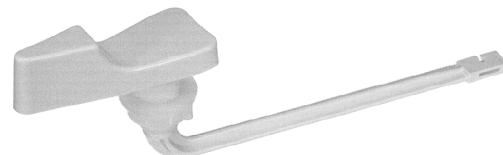


Carded

Stk. No. Description

88007 Chrome

TANK LEVERS FOR AMERICAN STANDARD



Carded OEM

Stk. No. Ref No. Description

88433 4464 6" Arm Molded Construction
Used on Plebe & Tilche

TANK LEVER FOR AMERICAN STANDARD

- 6¼" Plastic Arm
- Chrome Plated Handle
- Used on Yorkville, Glenwall, Cadet, Baby Devoro, Plebe, New Cadet and the Line
- OEM Ref. #47191-0070A



Carded

Stk. No.

88901

TANK LEVER FOR AMERICAN STANDARD

- 5½" Metal Arm
- Chrome Plated Handle
- Fits #4 Flush Valve



Carded

Stk. No. Description

42114 #47048 Straight Arm



TOILET REPAIRS

BRAND SPECIFIC TANK LEVERS

TANK LEVERS FOR AMERICAN STANDARD

- 6" Arm
- Plastic Construction
- Fits Cadet



Bagged Stk. No.	Carded Stk. No.	Description
—	88596	28° Chrome
40178	88595	28° White
—	88692	45° Chrome

TANK LEVER FOR AMERICAN STANDARD

For Old Style Toilet Tanks with Thick Walls

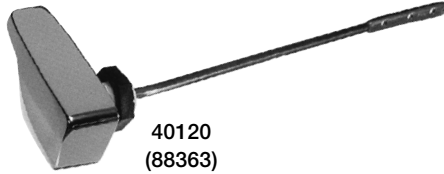
- Brass Construction
- Chrome Plated Handle
- 9½" Offset



Carded Stk. No.	Description
42124	9½" Arm

SIDEMOUNT TANK LEVERS FOR ELJER

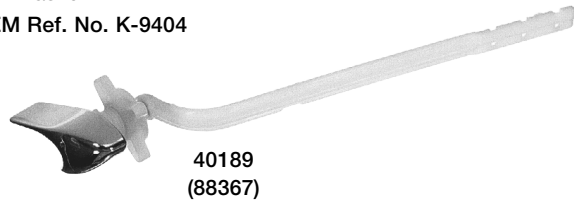
- 9¼" Metal Arm



Bagged Stk. No.	Carded Stk. No.	Description
40120Q*	88363	Tank Lever Complete Chrome
—	88591	Tank Lever Complete Polished Brass

SIDEMOUNT TANK LEVERS FOR KOHLER

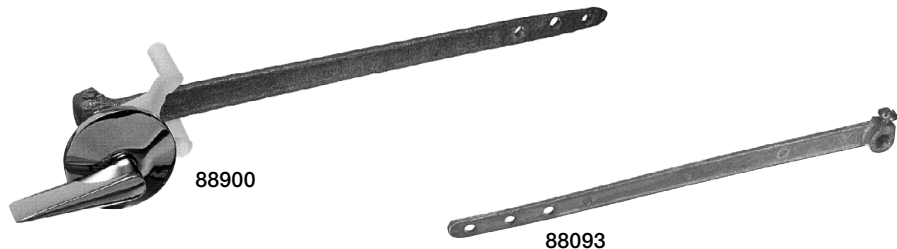
- 8½" Plastic Arm
- OEM Ref. No. K-9404



Bagged Stk. No.	Carded Stk. No.	Description
40189Q*	88367	Tank Lever Complete Chrome
—	88592	Tank Lever Complete Polished Brass

TANK LEVERS FOR KOHLER

- 8¾" Arm
- Chrome Plated Handle
- Trip Arms Do Not Include:
Flush Handle & Support Bracket



Carded Stk. No.	OEM Ref No.	Description
88900	K9400B	Complete Tank Lever w/ Brass Arm
88093	51032	Brass Trip Arm

TANK LEVERS FOR MANSFIELD

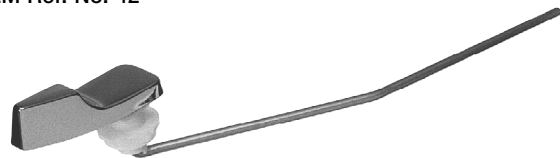
- 9" Arm
- Used with Watersaver Flush Valves #208 & #209



Bagged Stk. No.	Carded Stk. No.	Description
—	88365	White Plastic Arm Chrome
40119Q*	88364	Blue Plastic Arm Chrome

TANK LEVER FOR MANSFIELD

- 10" Metal Arm
- Use with Watersaver Flush Valve
- OEM Ref. No. 42



Carded Stk. No.	Description
80371	Tank Lever with 10" Metal Arm Chrome

TOILET REPAIRS



PREMIUM FLAPPERS

PREMIUM FLAPPER

Guarantees Fit for Virtually All Flush Valves, Including "Tilt" Models

- Fits All Conventional Closets
- Made of 100% Natural Rubber
- Silicone Treated – Chloramine Resistant
- Inhibits Distortion and Retains Its Original Shape
- Positive Seal

* Compare To Leading OEM Brands



40092



88442

Stk. No.	Description
40092	Box (1 each)
40092Q*	Case Cut Box (50 each)
88442	Carded (1 each)
81113	Flapper Display with 12 Pieces

PREMIUM FLAPPER

- Silicone treated to resist Chemicals w/ Beaded Chain



Carded
Stk. No. _____

88678

PREMIUM FLAPPER

- Molded in One Piece
- Fits All Standard Flush Valves



Carded
Stk. No. _____

88353

FLAPPERS

UNIVERSAL FLAPPER

Fits All Standard Flush Valves

UNIVERSAL



Carded
Stk. No. Description

80807	Universal Flapper <i>less</i> Adapter
80808	Universal Flapper <i>with</i> Adapter

UNIVERSAL ECONOMY FLAPPER with ADAPTER

Quality Rubber Construction

BEST
VALUE



Bagged
Stk. No. _____

41039Q

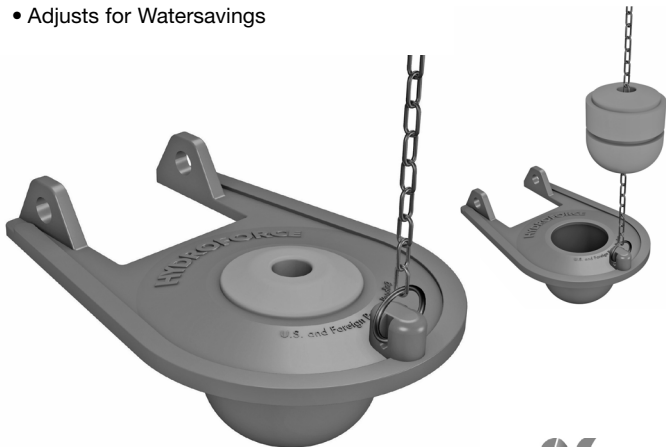


TOILET REPAIRS

FLAPPERS

UNIVERSAL ADJUSTABLE FLAPPER

- Adjusts for Watersavings



Bagged Stk. No.
 Carded Stk. No.

BSP19 HFL190



UNIVERSAL LEAK RESISTANT FLAPPER



Carded Stk. No.

HFL105

UNIVERSAL FLAPPER REPLACEMENT

- Replaces Flapper, Chain & Handle
- Ends running toilet, overflow & ghost flushing
- No tools or special skills required



Carded Stk. No.

FLT231

WATER SAVING FLAPPER

Includes (5) Color-Coded Inserts, with Each Insert Having a Different Size Hole Which Regulates the Air That Passes Through, Determining the Rate at Which the Flapper Drops

- OEM Ref. No. 53438



Carded Stk. No.

88763

3" FLAPPER FOR AMERICAN STANDARD

- 3" diameter White Plastic Flapper with Chain
- For use with Cadet 3 American Standard Toilet
- Easy to Install



Carded Stk. No.

10764

FLAPPER WITH ADJUSTABLE FLOAT FOR AMERICAN STANDARD

- Includes Beaded Chain with Hook & Adjustable Float
- OEM Style
- Fits American Standard



Carded Stk. No.

88497

TOILET REPAIRS



FLAPPERS

3" FLAPPER FOR ELJER TITAN

- Includes Beaded Chain with Hook
- For Use on newer OEM Flush Valves with 3" Openings



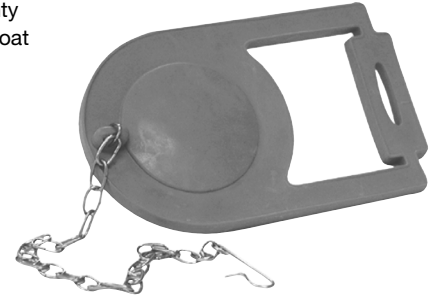
Carded
Stk. No. _____

88500

PREMIUM FLAPPER FOR CRANE

Used on Crane's Close-Coupled Closets with Integral China Seats & Overflow

- Used on the Following Crane Tanks:
Neuday Oxford Drexel Criterion
- Silicone Treated – Chloramine Resistant
- 5-Year Warranty
- Polystyrene Float



Carded
Stk. No. Description

80810 Used in Crane Company's close-coupled closets with integral china seats and overflow

FLAPPER FOR ELJER

Used on *Low Boy* Style Closets

- Fits: Eljer Patrician
Windsor & Canterbury
One Piece Aqualine



Carded
Stk. No. _____

88462

FLAPPERS FOR AMERLINE/KOHLER

Used on the following Manufacturer's Tanks:
Complete Valve not available



- AAA
- Alliance
- Case
- Georgia
- Hilgore
- Kohler
- Kokomo
- Lawndale
- National
- Peerless
- Rheem
- Verson
- Vitroteck
- Woodbridge



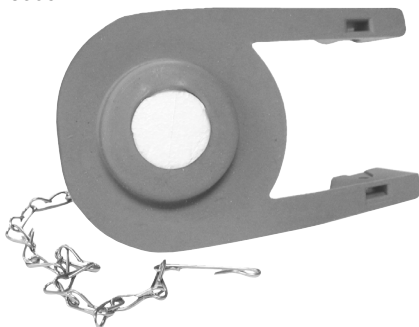
Bagged Carded
Stk. No. Stk. No. Description

— 80812 Rubber Flapper
40322Q 88686 Silicone Treated Flapper
Chloramine Resistant

PREMIUM FLAPPER FOR KOHLER

Used on Several Low Consumption Toilets, Including *Rialto*

- Silicone Treated – Chloramine Resistant
- 5-Year Warranty
- Styrofoam Float Contained Within Body of Flapper
(Visible from Underside)
- OEM Ref. No. 83064



Carded
Stk. No. _____

88662

FLAPPER FOR KOHLER

Used on Several Low Consumption Toilets,
Including Sterling Model #40135

- Clear Rubber
- OEM Ref. No. 81352



Carded
Stk. No. _____

88528



TOILET REPAIRS

FLAPPERS

FLAPPER FOR KOHLER POSITIVE SEAL BY COAST

Used on Various Manufacturers' Low Consumption Toilets, Including Kohler

- OEM Ref. No. 81096

NOTE: Chain and float assembly used with this flapper are pre-set at the factory for various tanks. When changing flappers, use chain and float assembly from existing flapper.



Carded
Stk. No. _____

88916

PREMIUM FLAPPER FOR KOHLER

- Silicone Treated – Chloramine Resistant
- 5-Year Warranty
- Used on the Following Kohler Tanks:
San Raphael one-piece toilets Models K-3384 & K-3466
Rialto Model K-3386



Carded
Stk. No. _____

88875

POSITIVE SEAL FLAPPER

Used on Various Manufacturer's Low Consumption Toilets, Including Kohler *Wellworth Lite™* & Sterling *Windham*



Carded
Stk. No. Description

- | | |
|-------|---------|
| 88246 | Flapper |
| 88247 | Gasket |

FLAPPER FOR KOHLER CIMARRON

- For Use on newer OEM Flush Valves with 3" Openings
- Includes Chain with Hook



Carded
Stk. No. _____

88501

FLAPPER FOR KOHLER CLASS FIVE

- For Use on newer OEM Flush Valves with 3" Openings
- Includes Chain with Hook



Carded
Stk. No. _____

88502

FLAPPER FOR KOHLER SHARK-STYLE

- Includes Chain with Hook



Carded
Stk. No. _____

88498

TOILET REPAIRS



FLAPPERS / TANK BALLS

FLAPPER FOR MANSFIELD

- For Use on newer OEM Flush Valves with 3" Openings
- Includes Chain with Hook



Carded
Stk. No. _____

88503

FLAPPER FOR TOTO POWER-GRAVITY

- For Use on newer OEM Flush Valves with 3" Openings
- Includes Chain with Hook

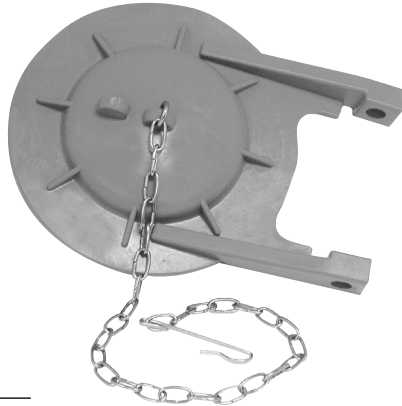


Carded
Stk. No. _____

88504

PREMIUM FLAPPER FOR TOTO

- For use on all TOTO Power Toilets with Over-Sized Flush Valves with 3" Opening
- Silicone Treated – Chloramine Resistant
- 5-Year Warranty



Carded
Stk. No. _____

88874

UNIVERSAL TANK BALL

UNIVERSAL

- Molded in One Piece
- Fits All Valves
2 1/4" 2 3/8" 2 1/2" 2 5/8"



88869
Only



Carded
Stk. No. Description _____

80800	Black
88869	Premium Silicone Treated Chloramine Resistant

UNIVERSAL TANK BALL

- Self-Aligns
- Universal Fit

UNIVERSAL



Carded
Stk. No. _____

88762

3" TRIPLE SEAL TANK BALL

Fits:
Old-Style Case
Kohler Closets



Carded
Stk. No. _____

88909



TOILET REPAIRS

FLAPPERS / TANK BALLS & TOILET TANK REPAIR

TANK BULBS

- Molded in One Piece



Carded Stk. No.	Description
88369	2½"

TANK BALL FOR ELJER

Used on Eljer "Touch-Flush" Unit



Carded Stk. No.	Description
80813	Rubber Tank Ball
88694	Premium Silicone Treated Chloramine Resistant

TOILET TANK REPAIR KIT

- Contains: Universal Flapper with Adapter, Spring, Float with Rod & Ballcock with Refill Tube

UNIVERSAL



Carded Stk. No.
80816

TOILET REPAIR KIT

- Includes Anti-siphon Ballcock



Boxed Stk. No.	Description
88286	Kit Includes Flapper with Adapter

TOILET REPAIR KIT

- Includes Anti-siphon Ballcock



Carded Stk. No.
88915

ANTI-SIPHON TOILET REPAIR KIT

- Includes Fill Valve, Cleaning Tube & Premium Flapper
- Saves Water, saves Money



Carded Stk. No.
HFX120

TOILET REPAIRS



TOILET TANK REPAIR PARTS

TANK FLOATS



40121



40133

Bagged

Stk. No. Description

40121 Black Plastic w/ Internal Stop For Positive Shut Off
40133 Copper

FLAPPER CHAIN, HOOK & RING

- Non-Corrosive Stainless Steel



Carded

Stk. No. Description

88073 Flapper Chain, Hook & Ring

FLOAT ROD FOR COAST

- 8"
- Plastic

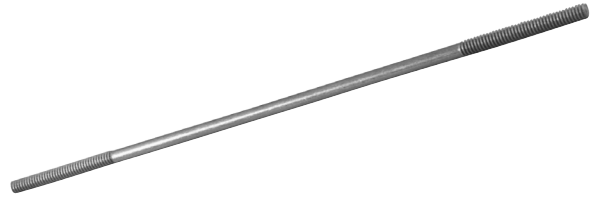


**Carded
Stk. No.**

88146

ADJUSTABLE FLOAT ROD

- Brass Plated Steel
- Float Rod with Extra Long Threads



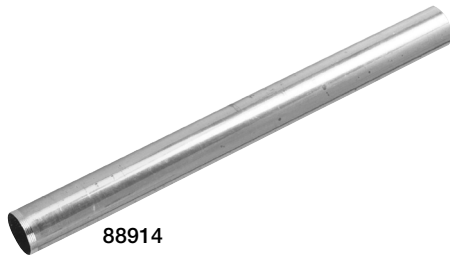
Carded

Stk. No. Description

80809 8"
88647 10"

OVERFLOW TUBE

- 1" x 11" Long



88914



80805

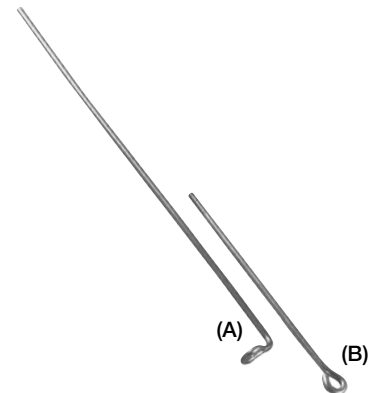
**Carded
Stk. No. Description**

80805 Molded ABS
88914 Brass

LIFT WIRES

Contains:

- (A) 8.5" Lever Wire
- (B) 4½" Tank Bulb Stem



**Carded
Stk. No.**

80804



TOILET REPAIRS

FLUSH VALVE REPAIR

TANK BULB STEMS

Brass Plated Steel



Carded Stk. No.	Description
88973	4½" Wire with Chain

UNIVERSAL PLASTIC FLUSH VALVE

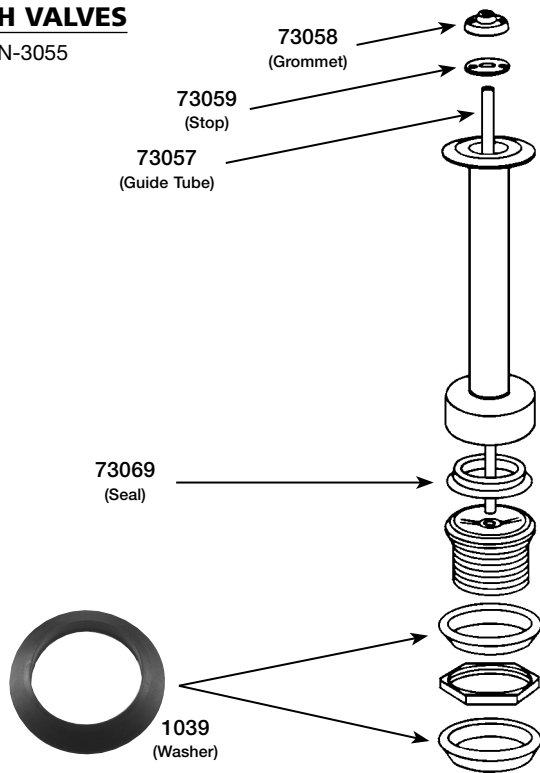
- Faster & Greater Flush with Angled Valve Body
- Molded
- Includes Flapper
- Provides a Positive Seal with No Hang-Ups



Carded Stk. No.	Description
80815	8" Tube

REPAIRS FOR AMERICAN STANDARD FLUSH VALVES

Series N-3055



Product Stk. No.	Carded Stk. No.	Part No.	Description
—	—	73058	Grommet
—	80955	73069	Seal
—	—	1039	Washer (2 Req.)
—	—	73057	Guide Tube (14 ¹ / ₁₆ " Long)
—	—	73059	Stop

(Bagged)
41096 — Repair Kit No. 3055

Kit Contains (1) each:

73058	Grommet
73059	Stop
73069	Seal

#5 FLUSH VALVE FOR AMERICAN STANDARD

Fits Series 3158



Carded Stk. No.
89058

HYDRORIGHT® DUAL FLUSH VALVE & BUTTON

- Converts almost any Toilet into a Dual Flush
- No Tools or Tank removal required
- Saves Water
- Button Handle



Bagged Stk. No.	Carded Stk. No.
BSP27	HYR270

TOILET REPAIRS



FLUSH VALVE REPAIR

HYDRORIGHT® DUAL FLUSH VALVE & HANDLE

- Converts almost any Toilet into a Dual Flush
- No Tools or Tank removal required
- Saves Water
- Lever Handle



Carded
Stk. No. _____

HYR271

TOTAL REPAIR DUAL FLUSH VALVE & FILL VALVE

- Converts almost any Toilet into a Dual Flush
- No Tools or Tank removal required
- Saves Water



Carded
Stk. No. _____

HYR451

TOTAL REPAIR DUAL FLUSH VALVE & FILL VALVE

- Converts almost any Toilet into a Dual Flush
- No Tools or Tank removal required
- Saves Water

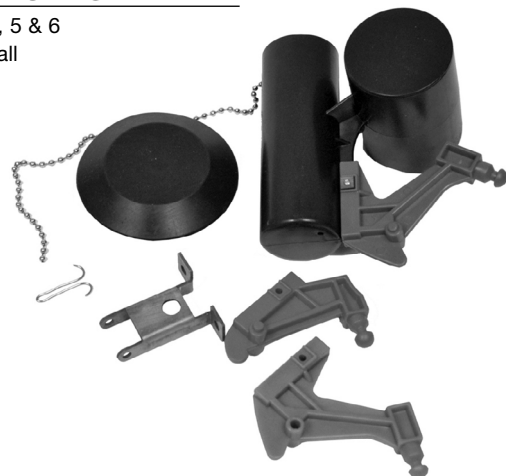


Box
Stk. No. _____

HYR460

FLUSH VALVE ACTUATING UNIT FOR AMERICAN STANDARD

- Fits Models 4, 5 & 6
- Easy to Install



Card
Stk. No. _____

10087

CHAIN FOR AMERICAN STANDARD ACTUATING UNITS

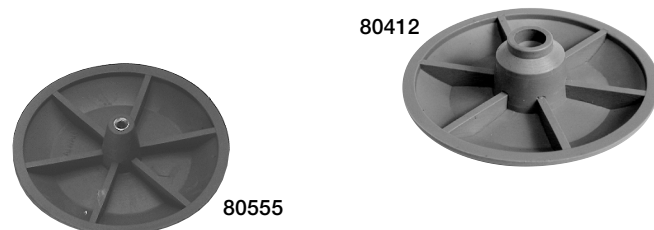


Card
Stk. No. _____

88408

FLUSH VALVE SEAT DISCS FOR AMERICAN STANDARD

Used on Tilt-Style Flush Valves



Carded
Stk. No. Description

- 80555 Screw-On Style
- 80412 Snap-On Style
- Silicone Treated - Chloramine Resistant
- 88936 2-in-1 Disc Teal



TOILET REPAIRS

FLUSH VALVES & FLUSH VALVE REPAIR PARTS

DUAL FLUSH REPAIR KIT FOR AMERICAN STANDARD

- Fits Dual Flush models H2Option, Siphonic & Flowise



Card
Stk. No. _____

10575X

FLUSH VALVE SEAL KIT FOR AMERICAN STANDARD

- Fits Cadet 3 Toilets



Card
Stk. No. _____

10576X

WATERSAVER FLUSH VALVE FOR MANSFIELD

- Replaces Models #208 and #209
- OEM Ref. #210

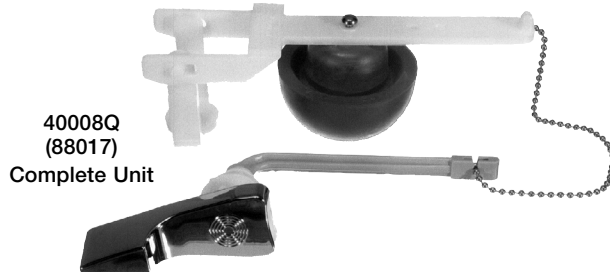


Carded

Stk. No.	Description
88907	#210 Flush Valve
—	#2081 Flush Valve Complete with Tank Lever
80371	Tank Lever Only
88096	Gasket Only

COMPLETE "TOUCH FLUSH" UNIT FOR ELJER

Includes Tank Lever (Stk. #41833)



Product Stk. No.	Carded Stk. No.	Part No.	Description
40008Q*	88017	9	Complete "Touch Flush" Unit
40488B	80865	13	Closet Spud Gasket
—	80813	14	Tank Bulb
—	88007	14	Tank Lever

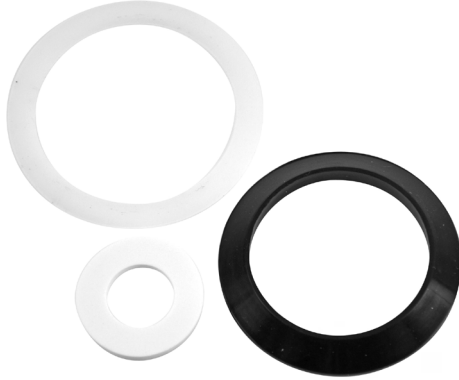
TOILET REPAIRS



FLUSH VALVES & FLUSH VALVE REPAIR PARTS

FLUSH VALVE REPAIR KIT FOR KOHLER

- Fits Class V HET Toilets



Card
Stk. No. _____

10573

DUAL FLUSH REPAIR KIT FOR KOHLER

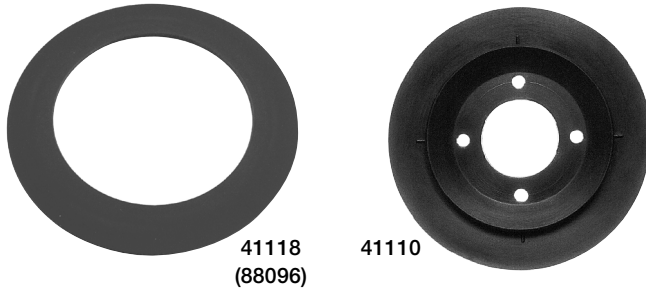
- Fits Dual Flush Toilets Persuade 2 PC, San Raphael 1 PC, Saile 2 PC & Escale 2 PC



Card
Stk. No. _____

10574

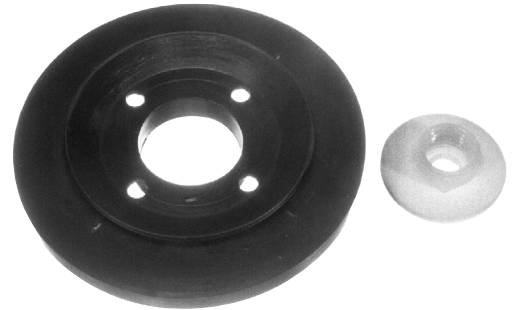
DIAPHRAGM SEALS FOR MANSFIELD FLUSH VALVES



Bagged Stk. No.	Carded Stk. No.	Description
41110	—	Flush Valve Seal fits #208 & #209 Series
—	88096	Flush Valve Seal fits #210 Series
—	88870	Premium Flush Valve Seal fits #210 Series Silicone Treated - Chloramine Resistant

REPAIR KIT FOR MANSFIELD FLUSH VALVE

Used on Models #208 and #209 Flush Valves



Carded
Stk. No. Description

88360 Valve Seal & Stop

SEAT DISC & STRAP FOR UNIVERSAL RUNDLE

Used on Models #259, #260, #278 and #280 Flush Valves

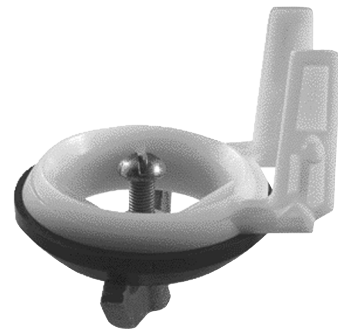


Carded
Stk. No. Description

80358 Seat Disc
80357 Strap

REPAIR PARTS FOR UNIVERSAL RUNDLE FLUSH VALVES

Used on Models #259, #260 and #280 Flush Valves



Bagged
Stk. No. Part No. Description

40204 258 Seat and Pinion Clip



TOILET REPAIRS

BALLCOCKS & BALLCOCK REPAIR PARTS

HYDROCLEAN® UNIVERSAL FILL VALVE

- Smart Nut prevents Overtightening
- Float Lock to Shut off Water from the Tank
- Mini Valve Adjusts Water to the Bowl
- In Tank Height Adjustment
- Detects & Signals if leaks are found
- Cleans Tank
- Saves Water



Bagged Stk. No. Carded Stk. No.

BSP66 HC660

ANTI-SIPHON FILL VALVE

- Smart Nut prevents Overtightening
- Float Lock to Shut off Water from the Tank
- Mini Valve Adjusts Water to the Bowl
- In Tank Height Adjustment
- Saves Water



Bagged Stk. No. Carded Stk. No.

BSP55 HC550

UNIVERSAL FILL VALVE

- Smart Nut prevents Overtightening
- Float Lock to Shut off Water from the Tank
- Mini Valve Adjusts Water to the Bowl
- In Tank Height Adjustment
- Detects & Signals if leaks are found
- Saves Water

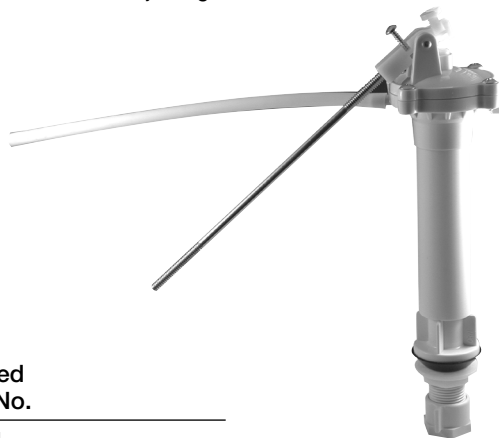


Bagged Stk. No. Carded Stk. No.

BSP63 HC630

UNIVERSAL 8" PLASTIC BALLCOCK

- Positive Snap Shut-Off
- Concentric Hush Tube for Silent Filling
- Nylon Screw for Adjusting Desired Water Level



Carded Stk. No.

80814

REPAIR KIT FOR AMERICAN STANDARD BALLCOCKS

- Used on Models #N3015 and #N3025 Ballcocks
- OEM Ref. No. 73075

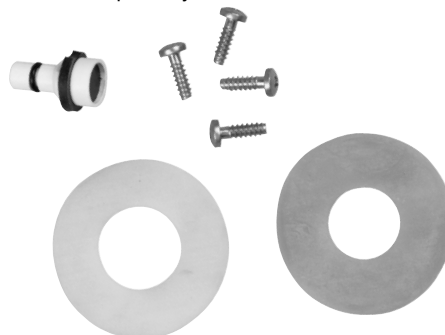


Carded Stk. No.

80409

REPAIR KIT FOR AMERLINE 4-SCREW BALLCOCKS (HOOV-R-LINE)

- Used on All Amerline (Hoov-R-Line) Ballcocks
- **NOTE:** Ballcock Seat is Now Molded Into the Ballcock and is No Longer Available Separately



Carded Stk. No.

80411

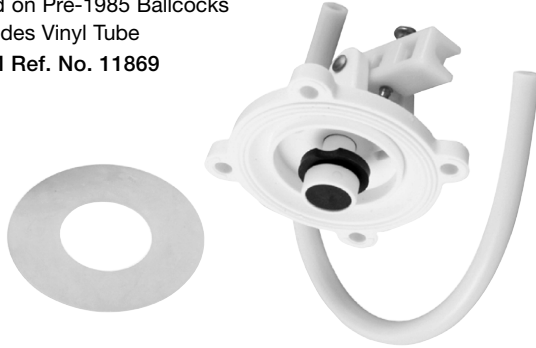
TOILET REPAIRS



BALLCOCKS & BALLCOCK REPAIR PARTS

TOP ASSEMBLY FOR AMERLINE 4-SCREW BALLCOCKS (HOOV-R-LINE)

- Used on Pre-1985 Ballcocks
- Includes Vinyl Tube
- OEM Ref. No. 11869

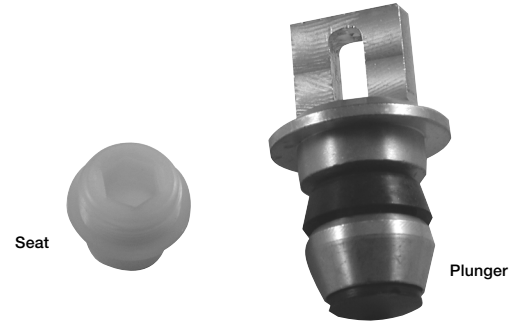


Carded
Stk. No. _____

88362

REPAIR KIT FOR CASE/BRIGGS BALLCOCKS

- Used on Model #50 Ballcock (Toilet Model #5150)
- OEM Ref. No. CSP-5150P



Bagged
Stk. No. Description _____

41431 Complete Repair Kit

REPAIR KIT FOR CASE/BRIGGS BALLCOCKS

- Used on Model #62-8 Ballcocks (Toilet Model #5164)
- OEM Ref. No. CSP-628P



Bagged Stk. No.	Carded Stk. No.	Part No.	Description
41343	—	—	Complete Repair Kit
<i>Kit Contains (1) each:</i>			
35731B	—	62-22	Volume Control O-Ring
35779B	—	62-13	Vent Cap Washer
—	—	62-39	Flat Seat
—	—	8-42A	Brass Plunger (complete)

COAST MARK IV ANTI-SYPHON BALLCOCK

- Includes Float, Flapper and Tank Lever
- 10³/₄" Height
- Durable Plastic



Carded
Stk. No. _____

88915

COAST 1B1 ANTI-SYPHON BALLCOCK

- Includes Brass Float Rod, Vinyl Refill Tube, Lock Nut, Coupling Nut and Washers
- 12" Height
- Plastic One Piece Design



Carded
Stk. No. _____

88919

COAST 1B1X BALLCOCK

- Includes Float Rod and All Necessary Installation Parts
- Non-Metallic Corrosion-Resistant Materials
- Fits Many One-Piece Toilets
- Meets All Codes



Bagged
Stk. No. _____

41036



TOILET REPAIRS

BALLCOCKS & BALLCOCK REPAIR PARTS

REPAIR KIT FOR COAST BALLCOCKS

- Used on 1B1-X Series Ballcocks
- Kit Contains:
 - (1) Seal Ring
 - (3) Brass Screws
 - (1) Piston Assembly (complete)
- OEM Ref. #55214



Carded
 Stk. No. Description
 88378 Complete Repair Kit

TOP FOR COAST 1B1X BALLCOCK

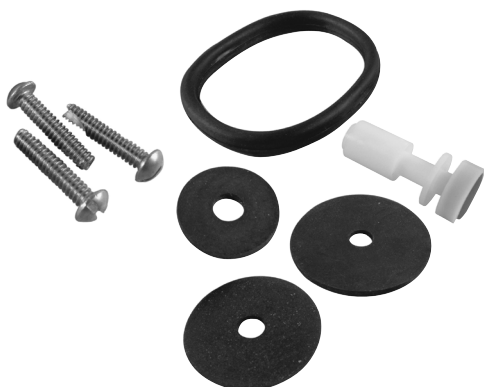
- OEM Ref. #71866



Bagged
 Stk. No.
 47830

REPAIR KIT FOR COAST BALLCOCKS

Used on 1B1 and Coastmaster Series Ballcocks

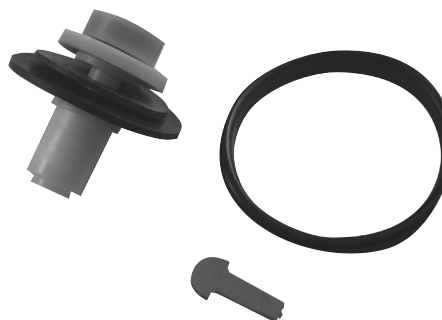


Carded
 Stk. No.
 80408

REPAIR KIT FOR COAST BALLCOCKS

Used on Mark III Series Ballcocks

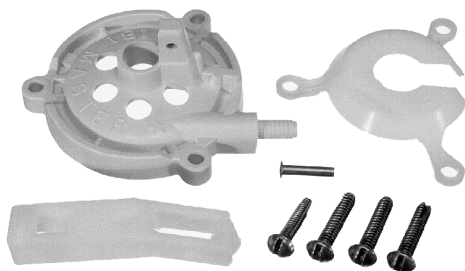
- OEM Ref. #55114



Bagged
 Stk. No.
 41463

TOP ASSEMBLY FOR COAST 3-SCREW BALLCOCK

Used on Coastmaster Series Ballcock



Carded
 Stk. No.
 80923

TOP ASSEMBLY FOR COAST BALLCOCKS

Used on Mark III Series Ballcocks

- OEM Ref. #71636



Carded
 Stk. No.
 88375

TOILET REPAIRS



BALLCOCK REPAIR PARTS

DIAPHRAGM FOR FLUIDMASTER BALLCOCKS

- Used on Models #100, #200, #300A and #400A Ballcocks
- OEM Ref. #212



Carded
Stk. No. _____

80141

PLUNGER FOR KOHLER BALLCOCK

- Used on Models #K-9262 and #K-9265



Carded
Stk. No. Description _____

88409 Piston

BALLCOCK TOP ASSEMBLY FOR MANSFIELD

Used on Model #08 Ballcock



Carded
Stk. No. Description _____

88377 Complete Repair Kit

REPAIR KIT FOR MANSFIELD BALLCOCKS

Used on Model #08 Ballcock



Carded
Stk. No. Part No. Description _____

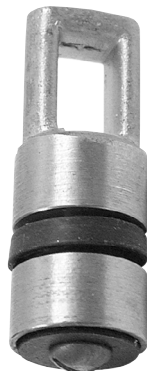
88908 Complete Repair Kit

Kit Contains (1) each:

- 2069 Lower Diaphragm
- 2067 Upper Diaphragm
- Plunger

BALLCOCK PISTON FOR AMERICAN STANDARD

- Used on Series B1939 & N3010
- Replacement Cups are Not Interchangeable

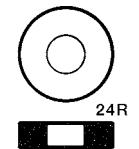


Bagged Carded
Stk. No. Stk. No. Description _____

40788 80150 Complete Replacement Piston
for Either Series

BALLCOCK SEAT WASHER FOR AMERICAN STANDARD

Drawing is actual size



40964
Rubber - with Hole

Stk. No.	Part No.	Style No.	O.D.	Height	Description
40964Z	24R	2	1/2"	1/8"	American Standard



TOILET REPAIRS

CLOSET BOLTS & SCREWS

ZERO CUT BOLTS™

- Height Adjustable Toilet Bolts Up to 3"
- Zero cutting, Zero Tools, Zero Problems
- Stainless Steel Bolts, Brass T-Bolts and Extenders



Next
by Danco™

Carded
Stk. No. Description

10770 Zero Cut Bolts with Low Profile Caps

CLOSET SCREWS

- Packaged Complete with Head & Washer
- 2 per Card



41749
(80157)
Closet Screw

Carded
Stk. No. Description

80157 1/4" x 2 1/2" Closet Screw Brass Plated Steel
88942 1/4" x 3" Closet Screw Brass Plated Steel

CLOSET BOLTS

- With Round Washer
- 2 per Card



41748
(80156)
#2R Closet Bolt

Bagged
Stk. No. Carded
Stk. No. Description

41748Q 80156 1/4" x 2 1/4" Closet Bolt Brass Plated Steel
— 88920 1/4" x 3 1/2" Closet Bolt Brass Plated Steel
40543Q* 89055 5/16" x 2 1/4" Closet Bolt Brass
— 43805 5/16" x 3 1/2" Closet Bolt Brass w/ Oval Washers
— 10757 5/16" x 3 1/2" Closet Bolt Brass

TOILET BOLT AND SCREW SET

- Includes:
- (2) 1/4" x 2 1/4" Bolts
 - (2) 1/4" x 2 1/2" Screws

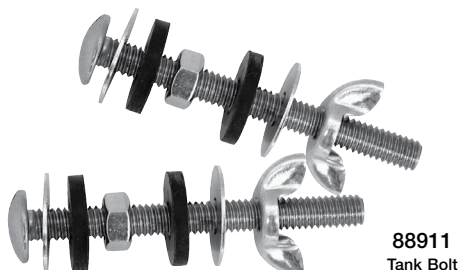


Carded
Stk. No. Description

88986 Complete Set Brass Plated Steel

TANK BOLTS

- Used to Attach Bowl to Tank on Close-Coupled Outfits
- Complete as Illustrated
- 2 per Card



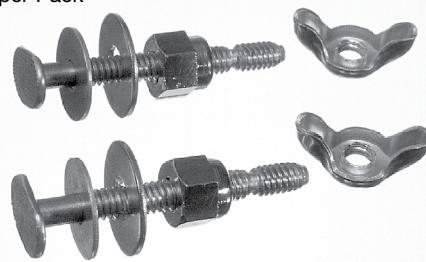
88911
Tank Bolt

Carded
Stk. No. Description

80819 5/16" x 2 1/2" Bolt Brass
88910 5/16" x 3" Bolt Brass Plated Steel
88911 5/16" x 3 1/4" Bolt Brass

"KWIK" CLOSET BOLTS

- Unique Break-A-Way Feature Enables You to Adjust to the Proper Height Without the Use of a Hacksaw
- Quick Installation and Perfect Alignment with Unique Captured Washer Feature
 - Includes Extra Heavy Nuts and Nickel Plated Brass Washers
 - Packaged 1 Pair per Pack



Carded
Stk. No. Description

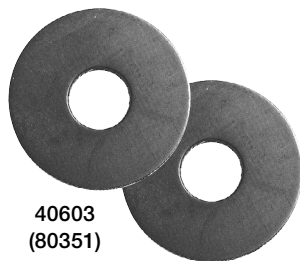
88772 1/4" x 2 1/4" Brass
88773A 5/16" x 2 1/4" Brass

TOILET REPAIRS



BOLT WASHERS

TANK BOLT WASHERS



40603
(80351)



40602
(80352)

Bagged Stk. No.	Carded Stk. No.	Bolt Size	Dimensions
40602B, W	80352	5/16"	1" x 1/4" x 1/8"
40603B	80351	3/8"	1 1/8" x 5/16" x 1/8"

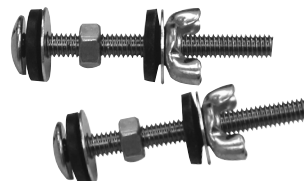
TANK-TO-BOWL KITS

UNIVERSAL TANK-TO-BOWL KIT

Complete and Ready to Go!

Kit Includes:

- (2) Tank Bolts with Washers & Nuts
- (1) Sponge Rubber Spud Gasket



Bagged Stk. No.	Carded Stk. No.	Bolt Size	Description
—	80378	5/16" x 2 1/2"	Universal Tank-To-Bowl Kit
40477B	80801	—	Universal Spud Gasket

UNIVERSAL TANK-TO-BOWL KIT

Complete and Ready to Go!

Kit Includes:

- (2) Tank Bolts with Washers & Nuts
- (1) Sponge Rubber Spud Gasket
- (1) "U" Shaped Gasket



Bagged Stk. No.	Carded Stk. No.	Bolt Size	Description
—	97023	5/16" x 3 1/4"	Complete Kit
40491B, W	80867		Spud Gasket

TANK-TO-BOWL KIT FOR AMERICAN STANDARD PLEBE

Complete and Ready to Go!

Kit Includes:

- (2) Tank Bolts with Washers & Nuts
- (1) Sponge Rubber Spud Gasket



Bagged Stk. No.	Carded Stk. No.	Bolt Size	Description
40626Q	88191	5/16" x 2 1/2"	Complete Kit for Plebe
40491B, W	80867		Spud Gasket

TANK-TO-BOWL KIT FOR AMERICAN STANDARD

- Includes Washers & Bolts
- Fits Cadet 3 & Plebe



Carded Stk. No.	Dimensions
10572	Tank to bowl Kit

TANK-TO-BOWL KITS FOR CRANE

Complete and Ready to Go!

Each Kit Includes:

- (2) Tank Bolts with Washers & Nuts
- (1) Sponge Rubber Spud Gasket



Bagged Stk. No.	Carded Stk. No.	Bolt Size	Description
—	88192	3/8" x 3 1/4"	Complete Kit
—	81257	5/16" x 3"	Complete Kit for Neuday
40491B, W	80867		Spud Gasket



TOILET REPAIRS

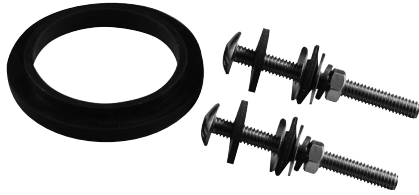
TANK-TO-BOWL KITS

TANK-TO-BOWL KIT FOR ELJER

Complete and Ready to Go!

Kit Includes:

- (2) Tank Bolts with Washers & Nuts
- (1) Sponge Rubber Spud Gasket



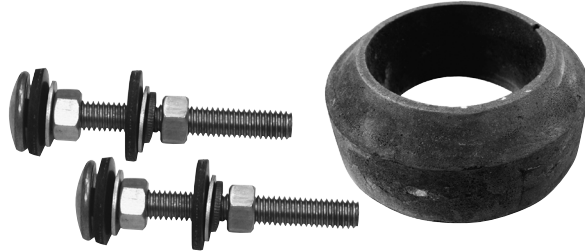
Bagged Stk. No.	Carded Stk. No.	Bolt Size	Description
—	88359	5/16" x 3/4"	Complete Kit
40488B	—		Spud Gasket for Eljer

TANK-TO-BOWL KIT FOR GERBER

Complete and Ready to Go!

Kit Includes:

- (2) Tank Bolts with Washers & Nuts
- (1) Sponge Rubber Spud Gasket



Bagged Stk. No.	Carded Stk. No.	Bolt Size	Description
—	88193	5/8" x 3/4"	Complete Kit
40485B, W	—		Spud Gasket for Gerber

TANK-TO-BOWL KIT FOR KOHLER

Complete and Ready to Go!

Kit Includes:

- (3) Tank Bolts with Washers & Nuts
- (1) Molded Rubber Spud Gasket



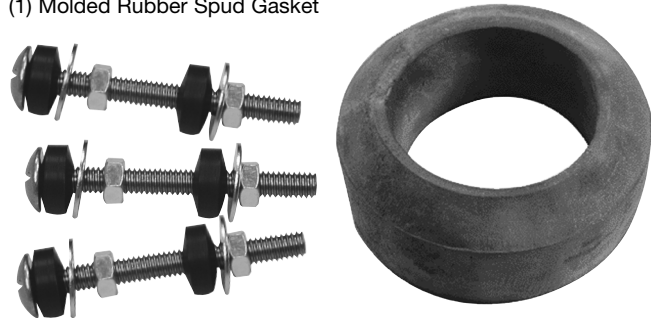
Bagged Stk. No.	Carded Stk. No.	Bolt Size	Description
—	88190	5/8" x 3/4"	Complete Kit for <i>Alamo & Wellworth</i>
40478B	80857		Spud Gasket for <i>Alamo & Wellworth</i>

TANK-TO-BOWL KIT FOR KOHLER

Complete and Ready to Go!

Kit Includes:

- (3) Tank Bolts with Washers & Nuts
- (1) Molded Rubber Spud Gasket



Carded Stk. No.	Bolt Size	Description
81256	5/16" x 3/4"	with Concave Washers

SPUD GASKET FOR KOHLER

Kit Includes:

- (1) Molded Rubber Spud Gasket with Attachment Hardware



Stk. No.	Description
40465	Spud Gasket for Kohler

TANK-TO-BOWL KIT FOR MANSFIELD

Complete and Ready to Go!

Kit Includes:

- (3) Tank Bolts with Washers & Nuts
- (1) Molded Rubber Spud Gasket



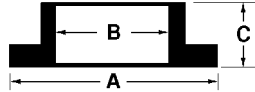
Carded Stk. No.	Bolt Size	Description
88913	5/16" x 2 1/2"	
88912		Spud Gasket for Mansfield

TOILET REPAIRS



TOILET REPAIR PARTS

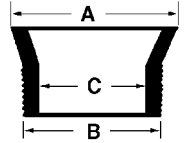
FLANGED-TYPE CLOSET SPUD GASKETS



Bagged Stk. No.	Carded Stk. No.	Size	A	B	C
40479B	80858	2"	3 ¹ / ₈ "	2 ⁵ / ₁₆ "	1 ¹ / ₁₆ "
40480B, W	80859	1 ¹ / ₂ "	2 ⁵ / ₈ "	1 ¹³ / ₁₆ "	5 ¹ / ₈ "

CAST BRASS FULL OPEN CLOSET SPUDS

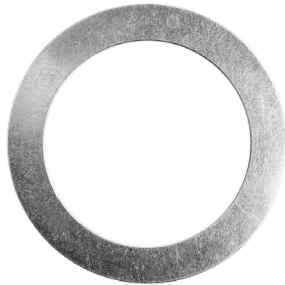
Complete with Gasket, Friction Ring and Nut



Bagged Stk. No.	Part No.	Size	A	B	C
40501	2	1 ¹ / ₂ " x 1 ¹ / ₂ "	2 ³ / ₁₆ "	1 ⁷ / ₈ "	1 ⁹ / ₁₆ "

CLOSET SPUD FRICTION RINGS

- Solid Brass



Bagged Stk. No.	Size	Dimensions
40511W	1 ¹ / ₂ "	2 ¹ / ₁₆ " x 1 ¹⁵ / ₁₆ " x 1 ¹ / ₃₂ "

GASKETS FOR FLUSH VALVE / BALLCOCK

Apply to the Threaded Shank as the Seal Between the Closet Tank and the Flush Valve or Ballcock



40141
(80249)



40079
(89170)

Bagged Stk. No.	Carded Stk. No.	Description
40141B, W	80249	For Ballcock
40079Z	89170	For Flush Valve

UNIVERSAL TANK GASKET

ALSO FITS AMERICAN STANDARD CADET, PLEBE

- Sponge Rubber



Bagged Stk. No.	Carded Stk. No.	Description
40491B, W	80867	3 ¹ / ₂ " x 2 ¹ / ₈ " x 1 ¹ / ₁₆ "

BALLOON TANK GASKET

Used between the Tank and the Closet on Free Standing Closets

- Stock. No. 40490 is for American Standard only
- Sponge Rubber



Bagged Stk. No.	Carded Stk. No.	Description
40477B	80801	3 ³ / ₁₆ " x 2 ¹ / ₈ " x 1 ¹ / ₁₆ "



TOILET REPAIRS

TOILET REPAIR PARTS

BALLOON TANK-TO-BOWL GASKET FOR CRANE

Used between the Tank and the Closet on Free Standing Closets

- Sponge Rubber



Bagged Stk. No.	Description
40486B, W*	3 ⁷ / ₁₆ " x 2 ¹ / ₈ " x 1 ³ / ₁₆ "

TANK-TO-BOWL GASKET FOR ELJER

Used on all Late Model Eljer Free Standing Closets

- Molded Rubber



Bagged Stk. No.	Description
40488B	3 ³ / ₁₆ " x 2 ¹ / ₄ " x 1/2"

TANK-TO-BOWL GASKET FOR ELJER

- With Integral Bumpers



Bagged Stk. No.	Description
41948Z*	

BALLOON TANK-TO-BOWL GASKET FOR GERBER

Used on All Late Model Gerber Free Standing Closets

- Sponge Rubber



Bagged Stk. No.	Carded Stk. No.	Description
40485B, W*	80864	3 ¹ / ₈ " x 2 ¹ / ₁₆ " x 1 ³ / ₁₆ "

TANK-TO-BOWL GASKET FOR KOHLER

Used on Kohler Integral-Unit Closets:

Kohler, Wellworth, Alamo

- Molded Rubber



Bagged Stk. No.	Carded Stk. No.	Description
40478B	80857	4 ³ / ₁₆ " x 2 ³ / ₈ " x 3/4"

TANK-TO-BOWL GASKET FOR MANSFIELD

- Used on Watersaver Model #210

- OEM Ref. No. 447-6955



Carded Stk. No.	Description
88912	Black Rubber

TOILET REPAIRS



TOILET REPAIR PARTS

PERFECT SEAL™ WAX RING

- 3x Stronger, Leak Free Seal
- One Person Installation, Toilet can be Repositioned
- Universal Fit of Any Flange Height (1/2" Above to 1 1/2" Below Floor)
- Stabilizes Bolts
- No Mess



Next
by Danco

Carded Stk. No.	Description
10718	Perfect Seal Wax Ring

TANK-TO-BOWL GASKET FOR MANSFIELD



Carded Stk. No.	Description
88361	3 1/16" x 2 1/4" x 1/2"

HYDROCAP® WAX RING CAP

- Assures that Toilet & Wax Ring are Positioned for a Perfect Seal
- Stabilizes Bolts for Hassle-Free Seating
- Toilet can be Lifted & Reset as needed, with No New Wax
- No Waxy Mess

Next
by Danco



Carded Stk. No.	Description
HCP110	Wax Ring Cap

E-Z WEDGE

For Stabilizing Toilets, Tubs, Furniture and More

- Clear Plastic
- Packaged 6 per Card



Carded Stk. No.	Description
88523	1 7/8" L. x 1 1/8" W. x 1/4" H.

TOILET BOWL WAX RINGS

Provides a Positive Seal Between Closet Bowl and Flange Available in a Variety of Styles to Meet Virtually Any Need

- Meets Federal Specifications
- Workable in Both Hot & Cold Temperatures
- Fills Cracks & Crevices
- Vermin Proof
- Kits include (2) 1/4" x 2 1/4" Solid Brass Closet Bolts



Less Sleeve



With Sleeve



Complete Kit
Wax Ring &
Closet Bolts

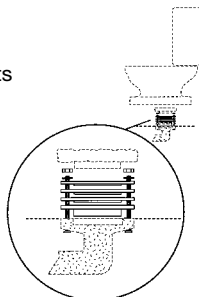


Extra-Thick
Wax Ring
With Sleeve

ABS CLOSET FLANGE EXTENSION KIT

For Use When Repairing, Replacing or Tiling Bathroom Floors

- Raises Closet from 1/4" to 3/4"
- Kit Includes:
(3) ABS 1/4" self-sealing extenders
(2) 3 1/2" closet bolts with washers and nuts



Carded Stk. No.	Description
86882	For use on all ABS

Boxed Stk. No.	Description
40618	Wax Ring <i>Less Sleeve</i> Fits 3" & 4" Openings
40619	Wax Ring <i>With Sleeve</i> Fits 4" Waste Line
41808	Urethane Reinforced Wax Ring <i>With Sleeve</i>
40612	Extra-Thick Wax Ring <i>With Sleeve</i>
40643	Wax Ring & Closet Bolt Kit <i>With Sleeve</i>



TOILET REPAIRS

TOILET REPAIR PARTS

HYDROSEAT™ TOILET FLANGE REPAIR

- Fixes Wobbles or Leaks from Damaged Collars
- Fits all Pipes, Toilets and Collars
- One Person Installation, Toilet can be Repositioned

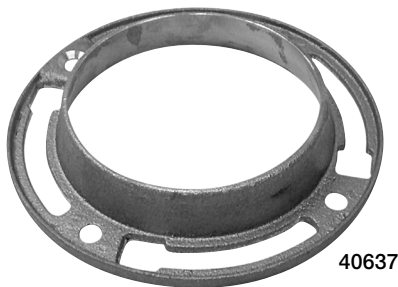


Stk. No.	Description
----------	-------------

10672	HydroSeat Toilet Flange
-------	-------------------------

FLOOR FLANGES

- For Closets
- Cast Brass



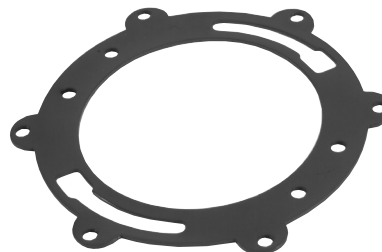
40637

Stk. No.	Weight	Description
----------	--------	-------------

40637	12 ozs.	4" Lead Drain Line with 1" Lip
40639	24 ozs.	4" DWV Drain Line with Step Down to 3" Line

CLOSET FLANGE REPAIR RING

- Plastisol Coated for Long Lasting Corrosion Protection
- Unique Screw Tabs Allow Ring to be Securely Attached to Either a Wooden or Concrete Sub-Floor
- Replaces Steel-Plastic Combo, Plastic, Brass and Cast Iron Closet Rings



Product

Stk. No.	Description
----------	-------------

88904	Slotted for Use with 1/4" or 5/16" Closet Bolts
-------	---

ANCHOR FLANGE

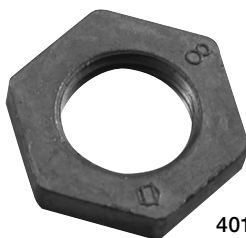
- Stops Rocking Toilets
- Quick & Easy to Install



Carded Stk. No.	Description
-----------------	-------------

88480	Case Hardened Steel Construction
-------	----------------------------------

TOILET TANK LEVER NUTS



40126



40098

Bagged Stk. No.	Description
-----------------	-------------

40126B	Zinc
40098B	Plastic

TOILET REPAIRS



TOILET REPAIR PARTS

BALLCOCK SUPPLY COUPLING NUTS



Bagged Stk. No.	Description
40753B	1/2" with 5/8" Knock-Out

PLASTIC BALLCOCK SUPPLY COUPLING NUT

- 1 1/8" O.D.
- 7/8" I.D.
- 3/8" Washer & Ring



Bagged Stk. No.	Carded Stk. No.
51835B	81422

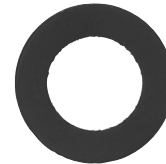
BALLCOCK SHANK NUTS

- Used to Hold Ballcock in Tank



Stk. No.	Description
40694B	Universal Cast Brass
40750B	for Fluidmaster Plastic

BALLCOCK COUPLING NUT WASHERS



40850
Flat Rubber
Washer



40856
(88372)
Poly Washer
with Insert

Bagged Stk. No.	Carded Stk. No.	Description
40850B, W	—	1 3/16" x 7/16" x 1/8"
40855B	—	1 3/16" x 1/2" x 1/8"
40856B	88372	1 3/16" x 5/16" x 1/8"

TOILET SEAT HINGE WASHERS

- White Rubber
- 1 1/8" x 3/8" x 1/8"



Bagged Stk. No.	Carded Stk. No.	Description
41185B, W	89057	1 per Bag / 2 per Card

TOILET SEAT HINGE NUT

- Plastic



Packaged Stk. No.	Description
45375	Fits 7/16" Bolt (2 per Card) Fits: Sperzel, Church & Four Oaks



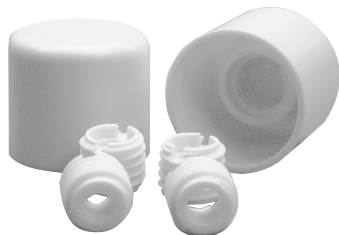
TOILET REPAIRS

TOILET REPAIR PARTS

WISTER CAPS

SCREW-ON TOILET BOLT CAPS

- Supplied with Adapters for Both 1/4" and 5/16" Closet Bolts
- Hi-Impact Plastic Construction Resists Breaking
- Unique Screw-On Design Provides an "Always Tight" Fit
- Won't Pop-Off Like Other Caps



Carded Stk. No.	Description
88877	White

WISTER BOLTS

TOILET BOLTS with SCREW-ON CAPS

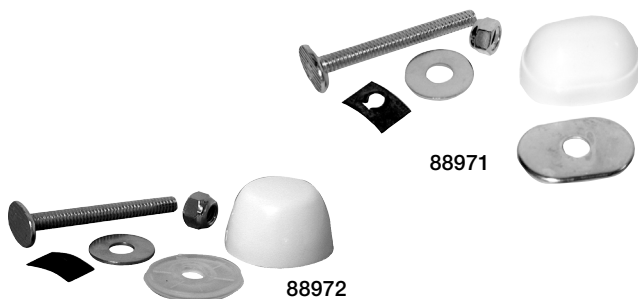
- Solid Brass Closet Bolts Have a Break-Off Feature at 1 3/4"
- Hi-Impact Plastic Caps Have Unique Screw-On Design
- Easy-To-Follow Instructions Make for Simple Installation



Carded Stk. No.	Description
88883	1/4" Twister Bolts™ (2 per pack)
88884	5/16" Twister Bolts™ (2 per pack)

TOILET BOLTS with CAPS

- Contains:
 - (2) 1/4" x 2 1/4" Brass Plated Bolts with Washers and Nuts
 - (2) Caps and Washers



Carded Stk. No.	Description
88971	Oval Caps White
88972	Round Caps White

OVAL TOILET BOLT CAPS

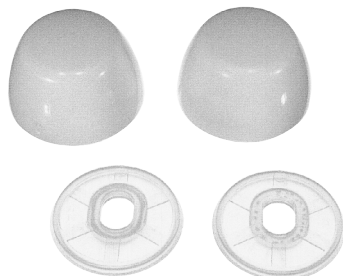
- Contains:
 - (2) Caps
 - (2) Washers



Carded Stk. No.	Description
88970	White

ROUND TOILET BOLT CAPS

- Carded Package Contains:
 - (2) Caps
 - (2) Washers



Bagged Stk. No.	Carded Stk. No.	Description
40531W	80821	White
—	89094	Almond

TOILET SEAT HINGE BOLT

- Packaged/Sold: 2 per Pack



Carded Stk. No.	Description
80822	7/16" Diameter White Plastic
88095	3/8" Diameter White Plastic
88653	Brass Plated

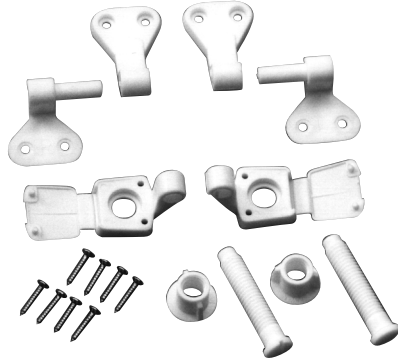
TOILET REPAIRS



TOILET REPAIR PARTS

TOILET SEAT HINGES

- Packed in Pairs
- White Molded Plastic



Carded
Stk. No. _____

88018

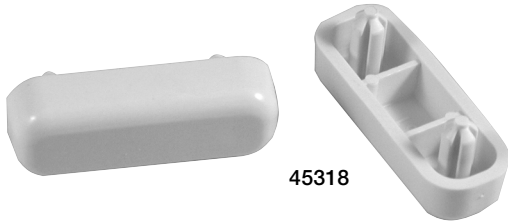
UNIVERSAL TOILET SEAT BUMPERS

- Fits any Brand & Model of Toilet Seat
- Attaches to Toilet Seat with Custom-Fit Adhesive Pads
- Replaces Toilet Seat & Lid Bumpers (Snap-In, Screw-In or Tack)
- Easy to Install



SNAP-IN TOILET SEAT BUMPER KITS FOR BEMIS

- White



45318

Carded
Stk. No. Description

45318 Toilet Seat Bumpers (2 per card)

Carded
Stk. No. Description

10062 Universal Toilet Seat Bumpers (2 per card)

UNIVERSAL TISSUE ROLLER

- Tapered Tips Allow for Replacement of Any Existing Roller
- Spring Loaded
- White Plastic



88905

88648

Carded
Stk. No. Length Dowel Description

88905 6½" 5/8" Chrome Plated Plastic

88648 — — Universal Plastic

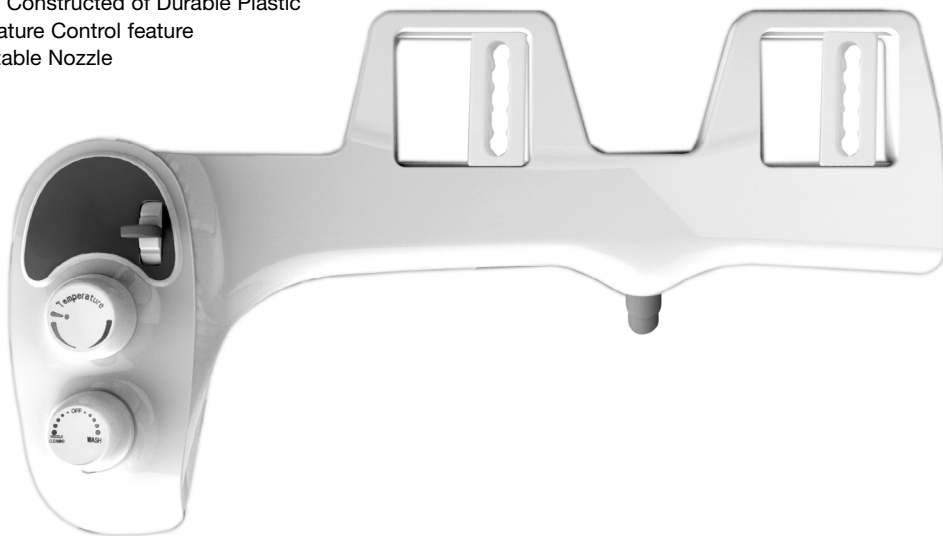


TOILET REPAIRS

GOBIDET™

ATTACHABLE BIDET

- Non-Electric Bidet for 2-Piece Toilets Constructed of Durable Plastic
- Adjustable Water Pressure & Temperature Control feature
- Nozzle Angle Control Knob & Retractable Nozzle



Carded
Stk. No. Description

GB500 Attachable Bidet

HANDHELD BIDET

- Swivel Connection for Easier Movement
- Rubberized Texture for a Firm Grip
- 2 Mounting Options – Wall or Tank
- Easy to Install



Carded
Stk. No. Description

2012W Hand Held Bidet

TRAVEL BIDET

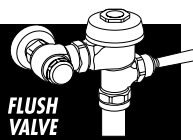
- Fits Majority Water Bottles
- Simple & Easy to use
- Discreet



Carded
Stk. No. Description

GB2013T Travel Bidet

FLUSH VALVE REPAIRS



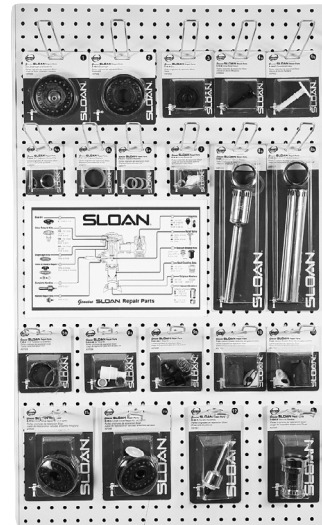
REPAIRS FOR SLOAN

OEM REPAIR PARTS ASSORTMENT FOR SLOAN FLUSH VALVES

Includes Repair Parts for Sloan Royal and Sloan Crown Flush Valves

These compact assortments contain the most popular repair parts for Sloan Flush Valves and requires less than 6 sq. ft. of pegboard space. *No Overstock!*

Each assortment is complete with Reorder Cards, Plan-O-Gram and Header (with exploded views for easy identification).



37075

Gondola Not Included

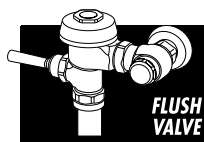
Asst.

Stk. No. Description

37075 Carded Assortment

Bagged Stk. No.	Carded Stk. No.	OEM Ref. No.	Description
72523	37062*	3301111	A-15A Molded disc for Sloan Royal
72526	—	3301058	A-19AC Relief valve for Sloan Royal flush valve (closet)
72527	—	3301059	A-19AU Relief valve for Sloan Royal flush valve (urinal)
72639	37060*	3301036	A-36A Repair kit for Sloan Royal flush valves (closet)
72638	37059*	3301037	A-37A Repair kit for Sloan Royal flush valves (urinal)
72536	37073*	3301038	A-38A Retro Water Saver Kit
72524	—	5301170	A-56A Diaphragm with A29 copper ring for Sloan Royal
72525	37050*	0301188	A-156A Diaphragm less A29 copper ring
72538	37051*	3302279	B-32A Complete Handle Assembly
72537	37065*	3302305	B-50A Handle repair kit for Sloan flush valves
—	37072*	0306113	F-5 3/4 Tailpiece washers (3)
36649B	37071*	0322001	F-5 1 1/2 Tailpiece washers (3)
—	37070*	0306516	F-20-A 3/4 Tailpiece nut assembly
—	37069*	0306526	F-20-A 1 1/2 Tailpiece nut assembly
72628	37055*	3308853	S-853 Overhaul kit for Sloan Screwdriver stops
72629	37056*	3308856	S-856 Overhaul kit for Sloan Screwdriver stops
72710	—	—	SL-1 Repair kit for Sloan Royal
72540	37064*	3323192	SL-192 Vacuum breaker repair kit
72619	37058*	—	SLC-2 Repair kit for Sloan Royal "Quiet" valve
72618	—	—	SLC-5 Repair kit for Sloan Crown flush valves (closet)
72531	—	3322079	V-101A Repairs for V100 series Sloan vacuum breakers
72532	37066*	0323010	V-500A Vacuum breaker (1 1/2" x 3 1/8")
—	37068*	0323005	V-500AA 3/4 x 9 Vacuum breaker
72535	37067*	0323007	V-500AA Vacuum breaker (1 1/2" x 9")

* Contained in assortment: 37075



FLUSH VALVE REPAIRS

REPAIRS FOR SLOAN

GENUINE SLOAN "ROYAL" CLOSET FLUSH VALVE

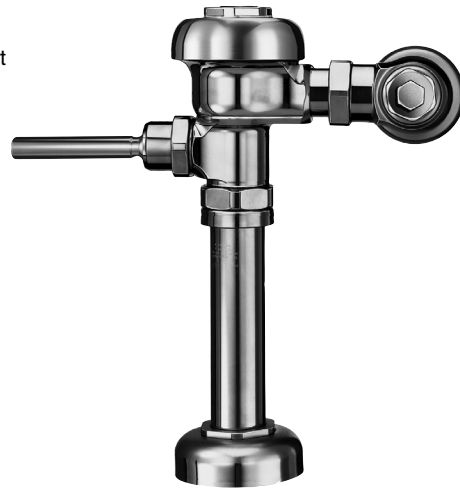
- Special Dual-Filtered Diaphragm Virtually Eliminates Clogging
- Permex Vacuum Breaker Insert Resists Chloramines Found in Many Public Water Systems
- Exposed Style for Floor Mounted or Wall Hung Bowls
- Metal Oscillating Non-hold-open ADA Handle Assembly
- 1" IPS Screwdriver Bak-Chek Angle Stop with Vandal-resistant Cap
- Adjustable Tailpiece
- 1½" Top Spud (Closet)
- Includes Sweat Solder Adapter, Spud and Wall Flanges
- Meets All Plumbing Codes



Stk. No.	Description	OEM Ref #
70974	110 Closet Flush Valve (3.5 GPF) Watersaving	3010100

GENUINE SLOAN "REGAL" CLOSET FLUSH VALVE

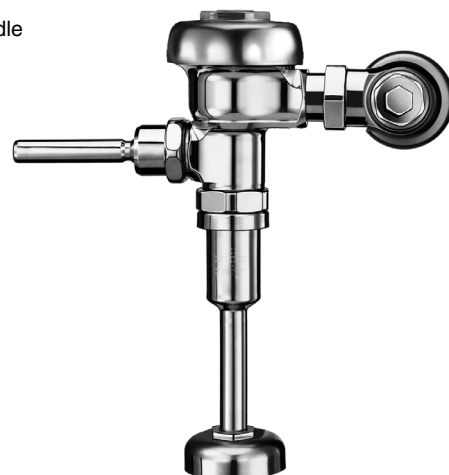
"Regal" Flush Valves Have the Same Quality Features as the "Royal" Flush Valves, Except the "Regal" Comes with Old Style Royal Repair Parts, such as the B-32-A Handle Assembly, A-156-A Rubber Diaphragm, V-551-A Rubber Vacuum Breaker Insert and a Slight Design Change to the Outside Cover, Spud Coupling and Stop Cap



Stk. No.	Description	OEM Ref #
71046	110 Closet Flush Valve (3.5 GPF) Watersaving	3080100

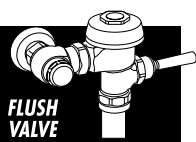
GENUINE SLOAN "REGAL" URINAL FLUSH VALVE

"Regal" Flush Valves Have the Same Quality Features as the "Royal" Flush Valves, Except the "Regal" Comes with Old Style Royal Repair Parts, such as the B-32-A Handle Assembly, A-156-A Rubber Diaphragm, V-551-A Rubber Vacuum Breaker Insert and a Slight Design Change to the Outside Cover, Spud Coupling and Stop Cap



Stk. No.	Description	OEM Ref #
71045	186 Urinal Flush Valve (1.5 GPF) Watersaving	3082600

FLUSH VALVE REPAIRS

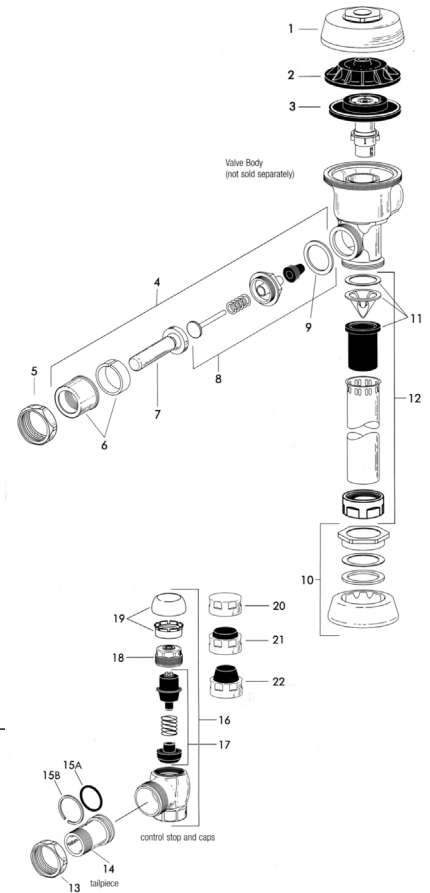
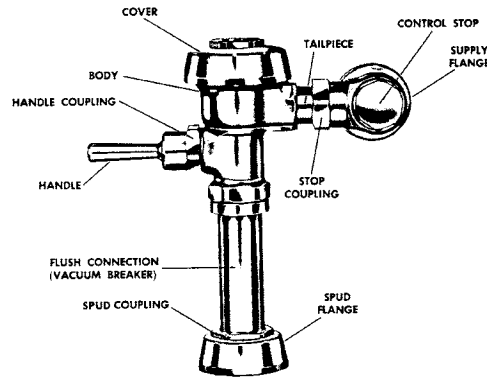


REPAIRS FOR SLOAN

SLOAN "ROYAL" FLUSHOMETER

Featuring Sloan's Exclusive Dual Filtered Diaphragm Series: Diaphragm Type (Mid-Year-1996 to current)

The repair kits and parts listed on this page are designed to service all Sloan diaphragm type flushometers, including those manufactured for low consumption usage.



Item No.	Product Stk. No.	Carded Stk. No.	OEM Ref #	Description
1	—	—	0301172	A-72 CP Cover
2	—	37013	0301168	A-71 Inside Cover
3	see chart	see chart	see chart	Dual Filtered Diaphragm Assembly <i>see chart</i>
4	—	—	0302390	B-73-A Triple Seal CP Handicap Assembly
5	—	—	0301082	A-6 CP Handle Coupling
6	—	—	0302109	B-7-A CP Socket Assembly
7	—	—	0302389	B-74-A CP-ADA Compliant Handle
8	—	—	3302306	B-51-A Triple Seal Handle Repair Kit
9	—	—	5301139	A-31 Handle Gasket
10	—	—	0306125	F-5-AW 3/4" CP Spud Coupling
	—	—	0306140	F-5-AU 1 1/4" CP Spud Coupling
	—	—	0306146	F-5-AT 1 1/2" CP Spud Coupling
11	—	—	3323182	V-651-A High Back Pressure Vacuum Breaker Repair Kit
12	—	—	3393004	V-600-AA 3/4" x 9" CP Vacuum Breaker
	—	—	3393006	V-600-AA 1 1/4" x 9" CP Vacuum Breaker
	—	—	3393007	V-600-AA 1 1/2" x 9" CP Vacuum Breaker
13	—	—	0308676	H-550 CP Stop Coupling
14	—	—	0308801	H-551-A CP Adjustable Tailpiece, 2 1/8" Long
15	35759W	—	5308696	H-553 O-Ring
16	—	—	3308386	1" Screwdriver Stop
	—	—	3308384	3/4" Screwdriver Stop
17	72628	37055	3308853	H-541-A Control Stop Packing Kit*
	72629	37056	3308856	H-543-A Control Stop Packing Kit†
18	—	—	0308612	H-622 CP Bonnet
	—	—	0308843	H-577 CP Bonnet
19	—	—	3308772	H-1010-A Vandal Resistant Control Stop Cap Assembly*
	—	—	3308790	H-1009-A Vandal Resistant Control Stop Cap Assembly†
20	—	—	0308738	H-573 CP Control Stop Cap*
	—	—	0308848	H-582 CP Control Stop Cap†
21	—	—	3308866	H-574 Control Stop Cap w/Bumper*
22	—	—	3308867	H-576 Control Stop Cap w/Bumper*

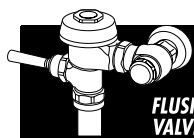
* For use w/H-700-A-1" and 3/4" and H-600-A 1" Screwdriver Bak-Chek® Control Stops

† For use w/H-600-A 3/4" Screwdriver Bak-Chek® Control Stops

Dual Filtered Diaphragm™ Assembly (sold only in Royal Performance™ Kit)

Includes: Dual filtered diaphragm assembly (Item #3), handle repair kit w/triple seal packing (Item #8),

High back pressure vacuum breaker repair kit (Item #11) and tailpiece O-ring (Item #15)



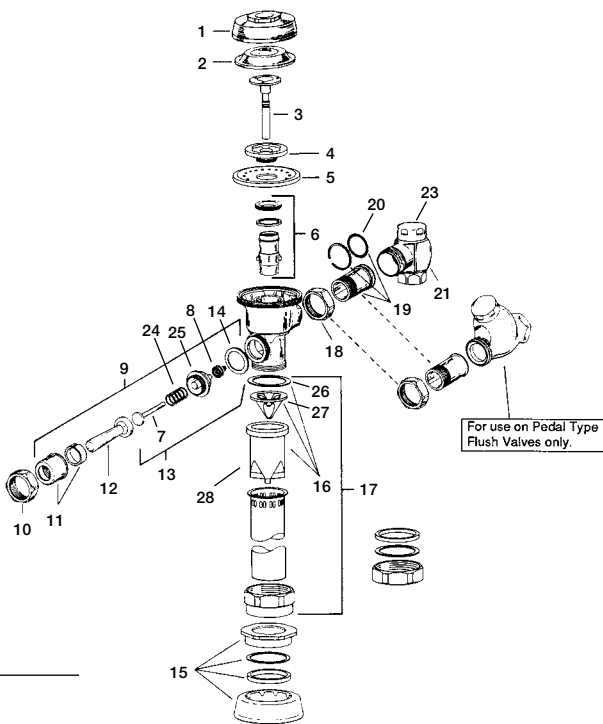
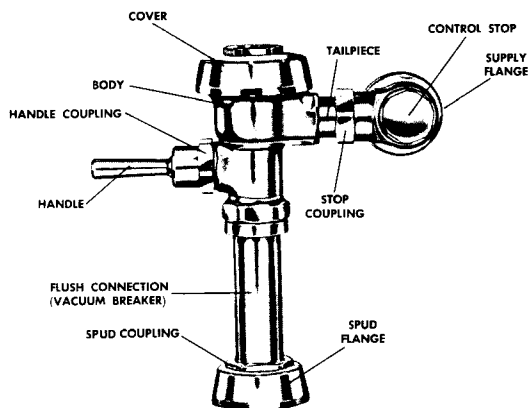
FLUSH VALVE

FLUSH VALVE REPAIRS

REPAIRS FOR SLOAN

ROYAL FLUSH VALVES*

Series: Diaphragm Type (Mid-Year 1971 to Mid Year 1996)

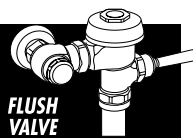


Item No.	Product Stk. No.	Carded Stk. No.	OEM Ref #	Description
1	—	—	0301172	A-72 Outside Cover
2	—	—	0301168	A-71 Inside Cover
3	72526	—	3301058	A19AC Closet Relief Valve <i>White</i>
	72527	—	3301059	A19AU Urinal Relief Valve <i>Black</i>
4	72523	37062	3301111	A15A Molded Disc
5	72525	37050	0301188	A156A Diaphragm
6	70630**	—	—	A163A Guide Assembly
7	—	—	—	B8A Plunger
8	—	—	0302297	B39 Hycar Seal
9	72538	37051	3302279	B32A Handle Assembly
10	—	—	0301082	A6 Handle Coupling
11	—	—	—	B7A Handle Socket Assembly
12	—	—	—	B32 Handle Grip
13	72537	37065	3302305	B50A Handle Repair Kit
14	—	—	5301139	A31 Handle Gasket
15	—	—	0306125	F5A 3/8" Spud Coupling Assembly
	—	—	0306140	F5A 1/4" Spud Coupling Assembly
	—	—	0306146	F5A 1/2" Spud Coupling Assembly
16	72540	37064	3323192	V551A Vacuum Breaker Repair Kit
17	—	37068	0323005	V500AA 3/8" x 9" Vacuum Breaker
	—	—	3301446	V500AA 1/4" x 9" Vacuum Breaker
	72535	37067	0323007	V500AA 1/2" x 9" Vacuum Breaker
18	—	—	—	H550 Stop Coupling
19	—	—	0308801	H551A Adjustable Tailpiece, 2 1/8" Long
20	35759W	—	5308696	H553 "O"-Ring
21	—	—	0388025	H710A 3/4" Screwdriver Bak-Chek® Stop
	—	—	3308386	H710A 1" Screwdriver Bak-Chek® Stop
22	72629	37056	3308856	H543A 3/4" Control Stop Repair Kit
	72628	37055	3308853	H541A 1" Control Stop Repair Kit
23	—	—	0308848	H582 3/4" Stop Cap
	—	—	0308738	H573 1" Stop Cap
24	—	—	—	B10 Spring
25	—	—	—	B40 Delrin Bushing
26	—	—	—	G44 Vacuum Breaker Gasket
27	—	—	—	V552 Vacuum Breaker Plastic Baffle
28	—	—	—	V551 Vacuum Breaker Rubber Sleeve

Stock No.	OEM Ref No.	Description
72619	—	Repair Kit SI-2 For New Style Quiet Valve with Plastic Guide <i>Contains:</i> (1) A15A Molded Disc (1) A31 Handle Gasket (1) A156A Diaphragm w/A29 Copper Ring (1) B8A Plunger (1) B10 Spring (1) B39 Hycar Seal (1) B40 Delrin Bushing
70578	—	Repair Kit A15156A <i>Contains:</i> (1) A15A Molded Disc (1) A156A Diaphragm

* All Royal and Regal internal repair parts are identical
 * All Royal and Regal external repair parts are interchangeable
 ** For watersaving models flip refill head over to side 2

FLUSH VALVE REPAIRS



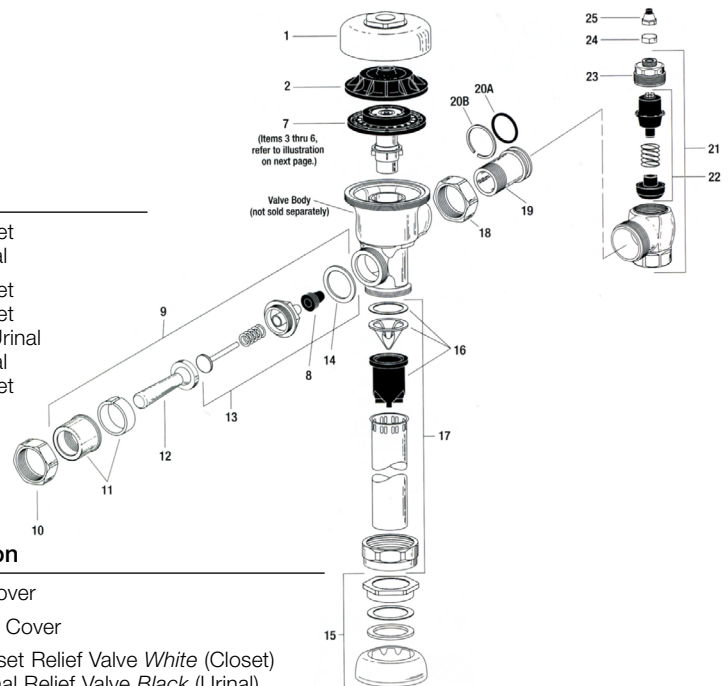
REPAIRS FOR SLOAN

REGAL FLUSH VALVES

Series: Diaphragm Type

Master Flushometer Rebuilding Kits
Includes Items 7,13,16 and 20

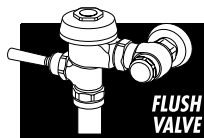
Stk. No.	OEM Ref. #	Description
70599	3317001	R-1001-A Rebuild Kit (4.5 GPF) Closet
70600	3317002	R-1002-A Rebuild Kit (1.5 GPF) Urinal
—	3317003	R-1003-A Rebuild Kit (3.5 GPF) Closet
—	3317004	R-1004-A Rebuild Kit (1.6 GPF) Closet
—	3317005	R-1005-A Rebuild Kit (1.0 GPF) LC Urinal
—	3317011	R-1011-A Rebuild Kit (0.5 GPF) Urinal
—	3317012	R-1012-A Rebuild Kit (2.4 GPF) Closet



Item No.	Product Stk. No.	Carded Stk. No.	OEM Ref. #	Description
1	—	—	0317004	R-10 CP Cover
2	—	—	0301168	A-71 Inside Cover
3A	72526	—	5301058	A19AC Closet Relief Valve <i>White</i> (Closet)
3B	72527	—	5301059	A19AU Urinal Relief Valve <i>Black</i> (Urinal)
3C	—	—	5301211	A19AL Relief Valve <i>Green</i> (Closet/Urinal-LC)
3D	—	—	0301143	A19AL Relief Valve <i>Green</i> (9 Litre Closet)
4	72523	37062	5301111	A15A Molded Disc
5	72525	37050	5301188	A156A Diaphragm
6A	70630	—	5301236	A163A Guide Assembly 4.5 GPF Closet and 1.5 GPF Urinal
6B	—	—	5301032	A152A Guide Assembly 3.5 GPF Closet
6C	—	—	5301031	A151A Guide Assembly 1.6 GPF LC Closet
6D	—	—	5301155	A155A Guide Assembly 1.0 GPF LC Urinal
6E	—	—	5301157	A157A Guide Assembly 0.5 GPF Urinal
7	—	—		<i>see chart</i>
8	—	—	5302297	B39 Hycar Seal
9	72538	37051	5302279	B32A Handle Assembly
	—	—	0302390	B-73 CP Handicap Handle Assembly (<i>ADA Compliant</i>)
10	—	—	0301082	A6 Handle Coupling
11	—	—	0302109	B7A Handle Socket Assembly
12	—	—	5302274	B32 CP Handle Grip
	—	—	0302389	B-74A CP Handicap Handle (<i>ADA Compliant</i>)
13	72537	37065	5302305	B50A Handle Repair Kit
14	—	—	5301139	A31 Handle Gasket
15	—	—	0306102	F54A 3/4" Spud Coupling Assembly
	—	—	0306142	F55A 1 1/4" Spud Coupling Assembly
	—	—	0306145	F56A 1 1/2" Spud Coupling Assembly
16	72540	37064	3323192	V551A Vacuum Breaker Repair Kit
17	70778	37068	5323005	V500AA 3/4" x 9" Vacuum Breaker
	70776	—	5323006	V500AA 1 1/4" x 9" Vacuum Breaker
	72535	37067	5323007	V500AA 1 1/2" x 9" Vacuum Breaker
18	—	—	0308676	H550 Stop Coupling
19	—	—	0308801	H551A Adjustable Tailpiece, 2 1/8" Long
20	35759W	—	5308696	H553 "O"-Ring
21	—	—	0388029	H740A 1" Screwdriver Bak-Chek® Stop CP Complete
	—	—	0388031	H740A 3/4" Screwdriver Bak-Chek® Stop CP Complete
22	72628	—	3308853	H541A 1" Control Stop Repair Kit*
	72629	—	3308856	H543A 3/4" Control Stop Repair Kit†
23	—	—	0308991	H-639 CP Bonnet*
	—	—	0308601	H-538 CP Bonnet†
24	—	—	5308156	H-37 CP Cap
25	—	—	5310034	J-2/J-7 Bumper Assembly

* For use w/H-740 1" and 3/4" and H-540-A 1" Screwdriver Bak-Chek® Control Stops

† For use w/H-740-A 3/4" Screwdriver Bak-Chek® Control Stops



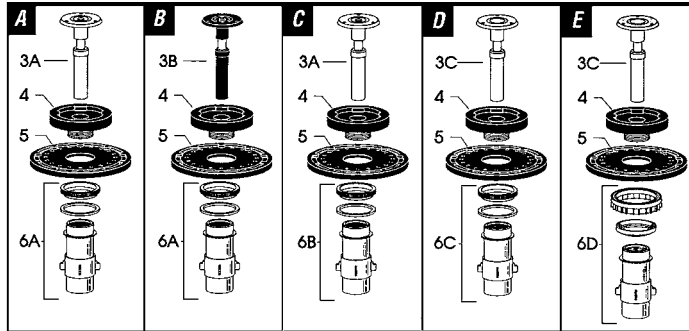
FLUSH VALVE REPAIRS

REPAIRS FOR SLOAN

GENUINE SLOAN "DROP-IN" REPAIR KITS FOR REGAL VALVES

For Use on ALL Diaphragm-type Exposed or Concealed "Regal" Valves and pre-1997 "Royal" Valves

Contains: (1) A-19-A Relief Valve, (1) A-15-A Molded Disc, (1) A-156-A Diaphragm and (1) A-163-A Plastic Guide



A	B	C	D	E
A-36-A	A-37-A	A-38-A	A-41-A	A-42-A
3301036	3301037	3301038	3301041	3301044
4.5 GPF	1.5 GPF	3.5 GPF	1.6 GPF	1.0 GPF
17.0 LPF	5.7 LPF	13.3 LPF	6.0 LPF	3.8 LPF
<i>Closet</i>	<i>Urinal</i>	<i>Closet</i>	<i>Closet</i>	<i>Urinal</i>

Stk. No.	Carded Stk. No.	Description
72639	37060	A-36-A Closet Kit 4.5 GPF Standard (White Relief Valve)
72638	37059	A-37-A Urinal Kit 1.5 GPF Watersaving (Black Relief Valve)
72536	37073	A-38-A Closet Kit 3.5 GPF Watersaving (White Relief Valve)
70518	—	A-41-A Closet Kit 1.6 GPF Low Consumption (Green Relief Valve)
70557	37081	A-42-A Urinal Kit 1.0 GPF Low Consumption (Green Relief Valve)

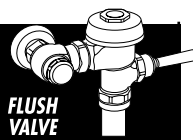
GENUINE SLOAN "RENOVATOR" REPAIR KITS

- For Use on All Diaphragm-Type Exposed or Concealed "Regal" Valves and pre-1997 "Royal" Valves
- Contains: (1) A-19-A Relief Valve, (1) A-15-A Molded Disc, (1) A-156-A Diaphragm, (1) A-163-A Plastic Guide, (1) H-553 "O" Ring (1) V-551-A Vacuum Breaker Repair Kit (1) B-50-A Handle Repair Kit



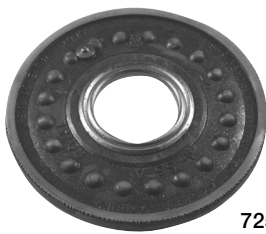
Stk. No.	Description	OEM REF#
70599	R-1001-A Closet Kit 4.5 GPF Standard	3317001
70600	R-1002-A Urinal Kit 1.5 GPF Watersaving	3317002

FLUSH VALVE REPAIRS



REPAIRS FOR SLOAN

GENUINE SLOAN A-56-A and A-156-A DIAPHRAGMS



72524
#A-56-A Diaphragm



37050
(72525)
#A-156-A Diaphragm

Product Stk. No.	Carded Stk. No.	Description
72524	—	#A-56-A Diaphragm with Copper Ring Repairs Old Style Sloan "Regal" and Pre-1997 "Royal" Valves OEM Ref# 5301170
72525	37050	#A-156-A Diaphragm less Copper Ring Repairs "Regal" and Pre-1997 "Royal" Valves OEM Ref# 3301188

GENUINE SLOAN V-500-AA VACUUM BREAKER KIT

- Repairs "Regal", pre-1997 "Royal" and "Crown" Flush Valves



Product Stk. No.	Carded Stk. No.	Description
72540	37064	#V551-A Vacuum Breaker Kit OEM Ref# 3323192
<i>Kit Contains (1) each:</i>		
		G-44 Vacuum Breaker Gasket OEM Ref# 5307071
		V-551 Vacuum Breaker Rubber Sleeve
		V-552 Vacuum Breaker Plastic Baffle

GENUINE SLOAN A-19A RELIEF VALVES

- Repairs Both Old & New Style Sloan "Royal" and "Regal" Flush Valves



72526
(37052)



72527
(37053)

Product Stk. No.	Carded Stk. No.	Description	OEM Ref #
72526	#A-19-AC	Closet Relief Valve <i>White</i>	3301058
72527	#A-19-AU	Urinal Relief Valve <i>Black</i>	3301059

GENUINE SLOAN A-15-A MOLDED DISC

- Repairs Both Old & New Style Sloan "Royal" and "Regal" Flush Valves



Product Stk. No.	Carded Stk. No.	OEM Ref #
72523	37062	3301111

GENUINE SLOAN FLUSH VALVE REPAIR KIT



72525
#A-156-A Diaphragm



72523
#A-15-A Molded Disc

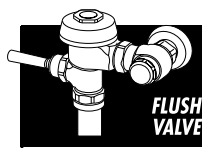
Product Stk. No.	Carded Stk. No.	Description	OEM Ref #
70578		#A-156-AA Repair Kit Repairs New Style Sloan "Royal", "Regal" Flush Valves	3301189
<i>Kit Contains (1) each:</i>			
72525	37050	A-156-A Diaphragm	
72523	37062	A-15-A Molded Disc	

GENUINE SLOAN A-71 INSIDE COVER

- Repairs Both Old & New Style Sloan "Royal", "Regal" Flush Valves



Carded Stk. No.	Description	OEM Ref #
37013	—	0301168



FLUSH VALVE REPAIRS

REPAIRS FOR SLOAN

GENUINE SLOAN A-72 OUTSIDE COVER

- Repairs Both Old & New Style Sloan "Royal", "Regal" Flush Valves



Product Stk. No.	Carded Stk. No.	OEM Ref #
70627	—	0301172

GENUINE SLOAN A-163-A PLASTIC GUIDE

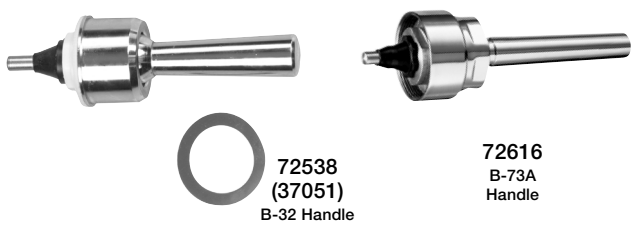
- Repairs Both Old & New Style Sloan "Royal", "Regal" Flush Valves



Product Stk. No.	Carded Stk. No.	OEM Ref #
70630	—	3301236

GENUINE SLOAN B-32-A HANDLE

- Repairs Both Old & New Style Sloan "Royal", "Regal" and "Crown" Flush Valves
- Chrome Plated Brass



Product Stk. No.	Carded Stk. No.	Description	OEM Ref #
72538	37051	B-32A Handle	3302279
72616	—	B-73A Handle ADA Approved	0302390

GENUINE SLOAN B-50-A HANDLE REPAIR KIT

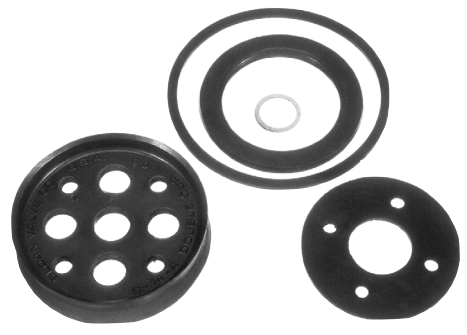
- Repairs pre-1997 Royal and "Crown" Flush Valves, "Regal"
- OEM Ref# 3302305



Product Stk. No.	Carded Stk. No.	Description
72537	37065	#B-50-A Handle Repair Kit
<i>Kit Contains (1) each:</i>		
70623B	—	A-31 Handle Gasket
70634	—	B-10 Spring
70641	—	B-39 Hycar Seal
70642	—	B-40 Delrin Bushing
—	—	B-8-A Plunger

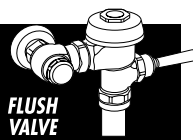
GENUINE SLOAN SLC-5 REPAIR KIT

- Repairs "Crown" Flush Valves
- Old Style Piston-Type (prior to mid-year 1971)



Product Stk. No.	Carded Stk. No.	Description
72618	—	#SLC-5 Repair Kit Repairs Old Style Closet Valve
<i>Kit Contains (1) each:</i>		
70715	—	M-10 Gasket
70722	—	S55 Cover Gasket
70726	—	S14A Molded Double Cup
70730	—	S20 Relief Valve Seat
70731	—	S21 Main Seat

FLUSH VALVE REPAIRS

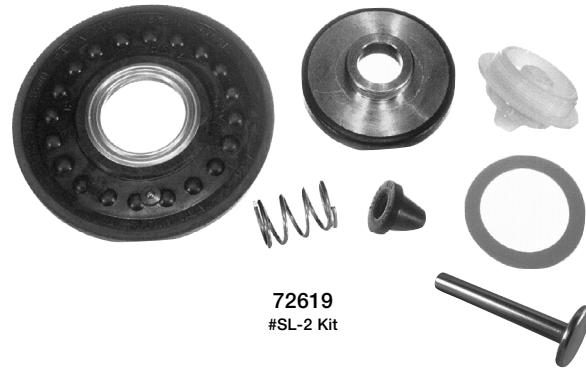


REPAIRS FOR SLOAN

GENUINE SLOAN SL-1 & SL-2 REPAIR KITS



72710
#SL-1 Kit



72619
#SL-2 Kit

Product Stk. No.	Carded Stk. No.	Description
72710	—	#SL-1 Kit <i>Repairs Old Style Valves with Brass Guide</i>
<i>Kit Contains (1) each:</i>		
70623B	—	A-31 Handle Gasket
72523	37062	A-15-A Molded Disc
72524	—	A-56-A Diaphragm with Ring
70634	—	B-10 Spring
70641	—	B-39 Hycar Seal
70642	—	B-40 Delrin Bushing
—	—	B-8-A Plunger
72619	37058	#SL-2 Kit <i>Repairs New Style Valves with Plastic Guide</i>

Kit Contains same as 72710 but with A-156-A Diaphragm

GENUINE SLOAN REPAIR KIT H-541-ASD

Rebuilds 1" Screwdriver Stops:
H600-A, H600-AG, H540-A, H540-AG, H650-AG, H545-AG
and ¾" H700 Series

- OEM Ref. #3308853



Product Stk. No.	Carded Stk. No.	Description
72628	37055	1" Screwdriver Stop Repair Kit
<i>Kit Contains (1) each:</i>		
		H541 Collar
		H548 SD Stem
		H549 "O" Ring
		H572 Adjusting Sleeve
		H583 Insert Plug
		H584 Rubber Seat
		SH406 Spring

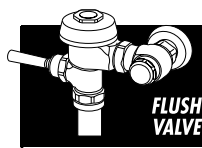
GENUINE SLOAN REPAIR KIT H-543-ASD

Rebuilds ¾" Screwdriver Stops:
H600-A, H600-AG, H540-A, H540-AG

- OEM Ref. #3308856



Product Stk. No.	Carded Stk. No.	Description
72629	37056	¾" Screwdriver Stop Repair Kit
<i>Kit Contains (1) each:</i>		
		H543 Collar
		H546 "O" Ring
		H548 SD Stem
		H569 Rubber Seat
		H570 Adjusting Sleeve
		H571 Insert Plug
		H585 Spring



FLUSH VALVE REPAIRS

REPAIRS FOR SLOAN

GENUINE SLOAN V-500-AA VACUUM BREAKERS

- Chrome Plated
- With Coupling Nut



Product Stk. No.	Carded Stk. No.	Description	OEM Ref #
—	37068	V-500-AA 3/4" x 9"	0323005
72535	37067	V-500-AA 1 1/2" x 9"	0323007

GENUINE SLOAN V-500-A VACUUM BREAKERS

- Chrome Plated
- With Captured Nut



Product Stk. No.	Carded Stk. No.	Description	OEM Ref #
72532	37066	V-500-A 1 1/2" x 3 1/16"	3323010

GENUINE SLOAN V-101-A VACUUM BREAKER INSERT

- Repairs Old Style Sloan "Royal", "Regal" and "Crown" Flush Valves
- Includes Baffle & Insert



Product Stk. No.	Carded Stk. No.	Description	OEM Ref #
72531	—	V-101-A Insert	3322079

GENUINE SLOAN F-20-A COUPLING NUT ASSEMBLIES

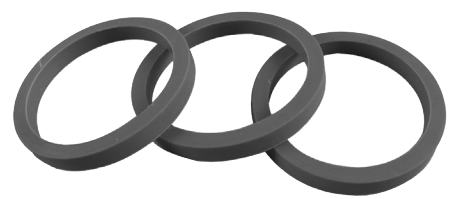
- Chrome Plated



Carded Stk. No.	Description	OEM Ref #
37070	Tailpiece Nut 3/4"	0306516
37069	Tailpiece Nut 1 1/2"	0306526

REPLACEMENT WASHERS FOR SLOAN

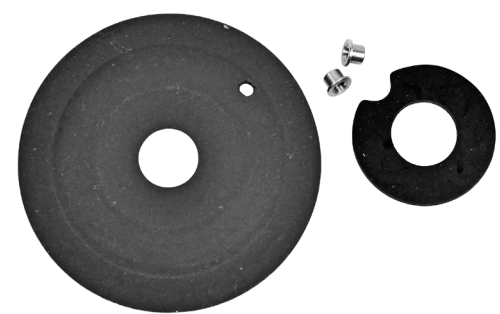
- Packaged 3 per Card



Product Stk. No.	Carded Stk. No.	Description	OEM Ref #
—	37072	3/4" Tailpiece Washer	5306113
36644B	—	1 1/4" Vacuum Breaker Washer	5322176
36649B	37071	1 1/2" Vacuum Breaker Washer	5322001

REPAIR KITS FOR DELANY

Each Kit Contains Auxiliary Valve Seat & Diaphragm



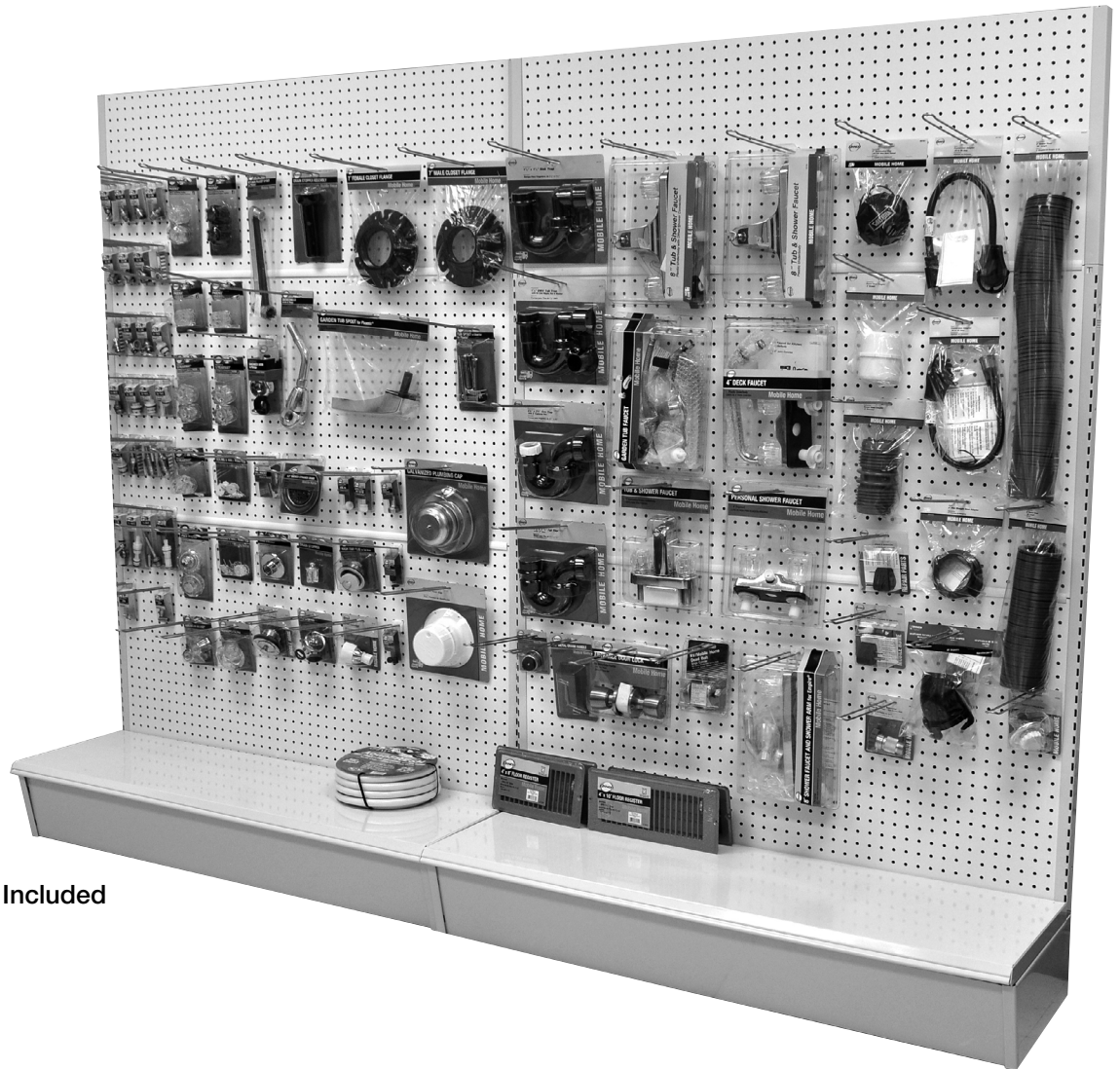
Product Stk. No.	Application
70002	Flush Boy Closet

MOBILE HOME/RV REPAIR ASSORTMENT

MOBILE HOME AND RV REPAIR COMBO ASSORTMENT

DANCO Perfect Match offers a complete line of repair parts for mobile homes and recreational vehicles.

- Customize Your Own Assortment To Meet Your Market Needs
- Add Merchandising From Below To Complete The Assortment



Gondola Not Included

Stk. No.	Description
19400	Mobile Home/RV Assortment
19395	4' Mobile Home Starter Plumbing Assortment



MOBILE HOME/RV REPAIRS

MOBILE HOME STEMS FOR...

AMERICAN BRASS / MANSFIELD

1J-1

LAVATORY *American Brass T77*
Mansfield 40 Series
 SINK *American Brass T800T*
Mansfield 80 Series

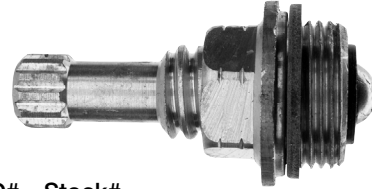


Description	ID#	Stock#
Hot/Cold Stem	1J-1H/C	17186E
Cold Stem	1J-1C	17443E
Seats	122 (A.B.)	—
	129 (Mans.)	—
Washer	00 Flat	35062B
"O" Rings	40	35754B
	8	35725B
Stem Screw	4	35141B
Handle Screws	48	35649B

PFISTER

2H-1

SINK 35-010-420
 LAVATORY 43-010-124

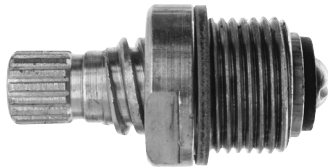


Description	ID#	Stock#
Hot/Cold Stem	2H-1H/C	15625E
Cold Stem	2H-1C	18587E
Seat	39	30038E
Washer	00 Flat	35062B
"O" Ring	8	35725B
Gasket	30	35566B
Stem Screws		35248B
	17	35154B
Handle Screw	38	35639B
Complete Repair Kit		124164E

AMERICAN BRASS

2J-1

SINK 55-56

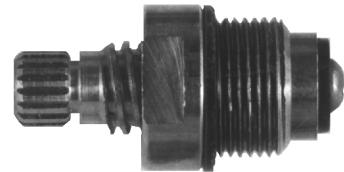


Description	ID#	Stock#
Hot Stem	2J-1H	15469E
Cold Stem	2J-1C	15470E
Seat	51	30050E
Washer	00 Flat	35062B
"O" Ring	8	35725B
Gasket	28	35564B
Stem Screw	5	35142B
Handle Screw	48	35649B
Complete Repair Kit	—	—

AMERICAN BRASS

2J-2

SINK 55A-56A

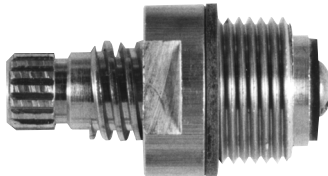


Description	ID#	Stock#
Hot Stem	2J-2H	16001E
Cold Stem	2J-2C	16002E
Seat	51	30050E
Washer	00 Flat	35062B
"O" Ring	8	35725B
Gasket	28	35564B
Stem Screw	5	35142B
Handle Screw	48	35649B
Complete Repair Kit	—	—

STREAMWAY LEVER HANDLE

2J-3

BATH All



Description	ID#	Stock#
Hot Stem	2J-3H	15918B
Cold Stem	2J-3C	16000B
Seats	79	30078E
Washer	00 Flat	35062B
"O" Rings	74	35719B
	8	35725B
Gasket	28	35564B
Stem Screw	4	35141B
Handle Screw	48	35649B
Complete Repair Kit	—	—

AMERICAN BRASS

2J-5

SINK 105, 1052



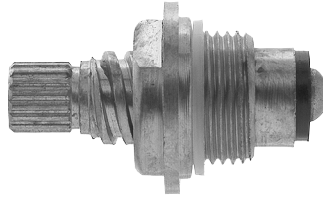
Description	ID#	Stock#
Hot Stem	2J-5H	15481E
Cold Stem	2J-5C	15482E
Seat	51	30050E
Washer	00 Flat	35062B
"O" Ring	8	35725B
Gasket	28	35564B
Stem Screw	4	35141B
Handle Screw	48	35649B
Complete Repair Kit	—	—

MOBILE HOME STEMS FOR...

STREAMWAY LEVER HANDLE

SINK & LAVATORY 108 Series

2J-6

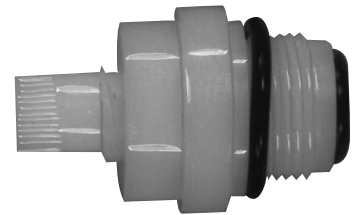


Description	ID#	Stock#
Hot Stem	2J-6H	15641E
Cold Stem	2J-6C	15642E
Seat	79	30078E
Washer	00 Flat	35062B
"O" Rings	74	35719B
	8	35725B
Gasket	30	35566B
Stem Screw	5	35142B
Handle Screw	48	35649B
Complete Repair Kit	—	—

MIDCOR

KITCHEN

2J-7

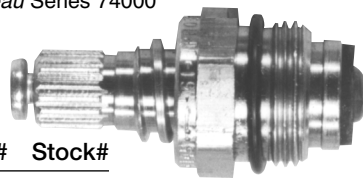


Description	ID#	Stock#
Hot/Cold Stem	2J-7H/C	17433B
Seat	None	—
"O" Rings	8	35725B
	90	35870B
	13	35730B
Complete Repair Kit	—	—

PHOENIX & MOEN

PHOENIX SHOWER 30, 601, 701, 761, 781
GARDEN TUB, 38, 39, 639
MOEN SINK *Chateau* Series 77000
LAVATORY *Chateau* Series 74000

2J-8

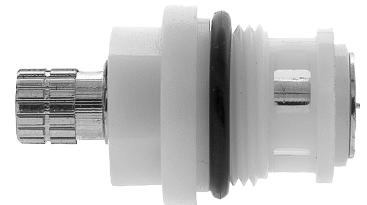


Description	ID#	Stock#
Hot/Cold Stem	2J-8H/C	17451E
Seats	140	30139
	145	30144
	165	30164
Washer	00 Flat	35062
"O" Rings	8	35725
	67	35784
Stem Screws	4	35141
	31	38816
Handle Screw	46	35647
Complete Repair Kit	—	—

STREAMWAY/NIBCO

SINK P-109
LAVATORY P-404, P-410A, P-1304A

3J-1

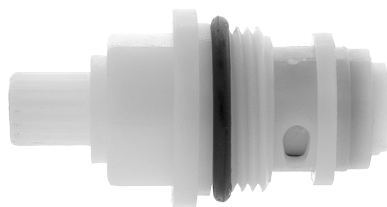


Description	ID#	Stock#
Hot/Cold Stem	3J-1H/C	16112E
Seat	None	—
"O" Rings	14	35731B
	7	35724B
Handle Screw	48	—
Complete Repair Kit	—	—

STREAMWAY/NIBCO

SINK P108
LAVATORY P404, P410A, P1304A

3J-4



Description	ID#	Stock#
Hot/Cold Stem	3J-4H/C	16015B
Seat	None	—
"O" Rings	14	35731B
	7	35724B
Handle Screw	48	—
Complete Repair Kit	—	—

LARDEN (BRISTOL-PEERLESS)

KITCHEN
LAVATORY
SHOWER

3J-7



Description	ID#	Stock#
Hot/Cold Stem	3J-7H/C	17427B
Seat	None	—
"O" Rings	7	35724B
	40	35754B
Complete Repair Kit	—	—

MOBILE HOME STEMS FOR...

PHOENIX

3J-9

SINK
LAVATORY
BATH with Plastic Cartridge



Description	ID#	Stock#
Hot/Cold Stem	3J-9H/C	18593B
Seat	None	—
"O" Rings	14	35731B
	54	35768B
Handle Screw	62	—
Complete Repair Kit		—

PFISTER

5G-2

BATH

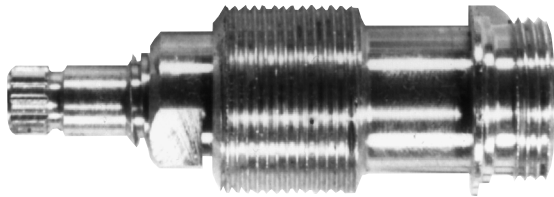


Description	ID#	Stock#
Hot/Cold Stem	5G-2H/C	18531B
Seat	176	—
Washer	00 Flat	35062B
"O" Ring	8	35725B
Gasket	7	35549B
Packing	97	35233B
Stem Screws	16	35153B
	34	38819B
Handle Screw	16	35153B
Complete Repair Kit		—

PFISTER

6G-2

BATH

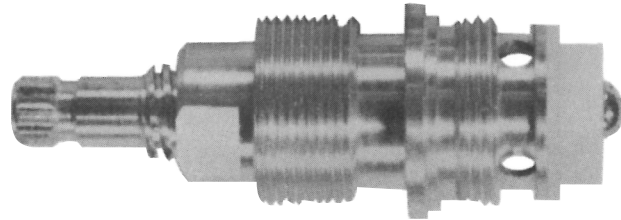


Description	ID#	Stock#
Hot/Cold Stem	6G-2H/C	18552B
Seat	176	—
Washer	00 Flat	35062B
"O" Ring	8	35725B
Gasket	7	35549B
Stem Screws	16	35153B
	34	—
Complete Repair Kit		—

PFISTER

6I-4

BATH

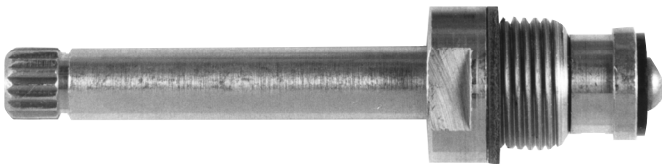


Description	ID#	Stock#
Diverter Stem	6I-4D	18551B
Seat	38	30037B
"O" Ring	8	35725B
Gasket	33	35568B
Stem Screws	16	35153B
Handle Screw	38	35639B
Complete Repair Kit		124166

STREAMWAY

7J-2

BATH 600, 700, 800, 900, 1600, 1700, 1800, 1900 Series

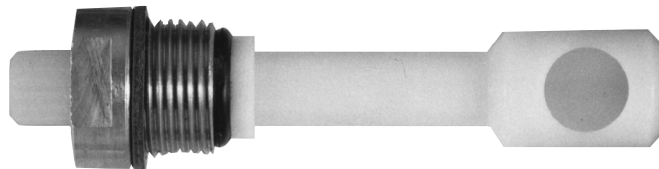


Description	ID#	Stock#
Hot/Cold Stem	7J-2H/C	17050B
Seat	117	—
Washer	00 Flat	35062B
"O" Ring	72	35785B
Gasket	28	35564B
Stem Screw	4	35141B
Handle Screw	42	—
Complete Repair Kit		—

STREAMWAY

7J-3

BATH 960 Plastic



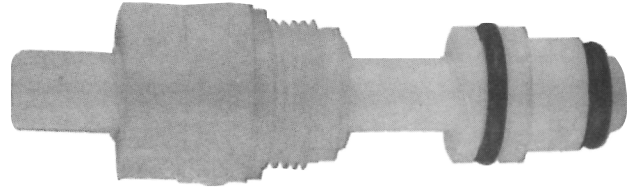
Description	ID#	Stock#
Diverter Stem	7J-3D	17051B
Seat	14	—
"O" Ring	72	35785B
Gasket	28	35564B
Stem Screw	4	35141B
Handle Screw	42	—
Complete Repair Kit		—

MOBILE HOME STEMS FOR...

MIDCOR

BATH

7J-4

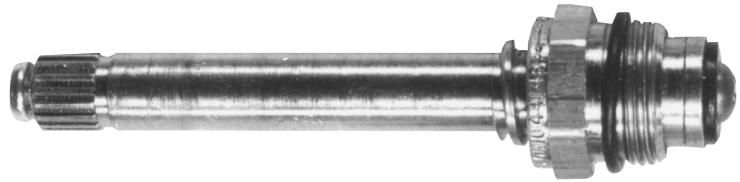


Description	ID#	Stock#
Hot/Cold Stem	7J-4H/C	17431B
Seat	None	—
"O" Rings	54	35768B
	83	35711B
Gasket	41	35576B
Complete Repair Kit		—

PHOENIX

BATH & SHOWER
BATH *Chateau Series 72000*

7J-5

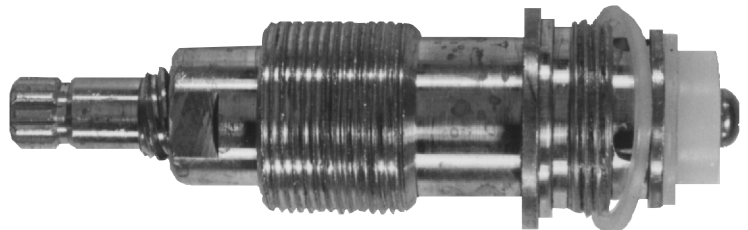


Description	ID#	Stock#
Hot/Cold Stem	7J-5H/C	17347B
Seat	145	—
Washer	00 Flat	35062B
"O" Rings	9	35726B
	13	35730B
Stem Screws	4	35141B
	31	38816B
Handle Screw	46	35647B
Complete Repair Kit		—

PFISTER

BATH

8G-1



Description	ID#	Stock#
Diverter Stem	8G-1D	18532B
Seat	38	30037B
Diverter Washer	16	35692B
"O" Ring	8	35725B
Gasket	22	35560B
Stem Screws	16	35153B
Handle Screw	16	35153B
Complete Repair Kit		—

PHOENIX

BATH & SHOWER



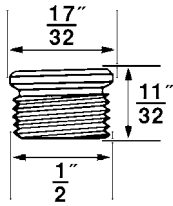
Description	Stock#
Diverter Stem	10658



MOBILE HOME/RV REPAIRS

REPLACEMENT BIBB SEATS FOR...

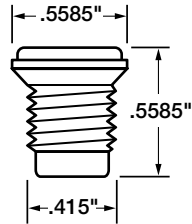
AMERICAN BRASS/ EMPIRE BRASS



Stk. No.	Thread	Part No.
30050E	20T	51

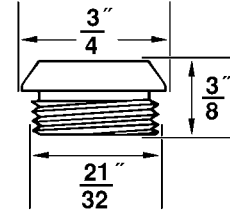
EMPIRE BRASS

• KITCHEN & LAVATORY FAUCET SEAT



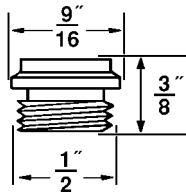
Stk. No.	Thread	Part No.
10653	20T	—

PFISTER



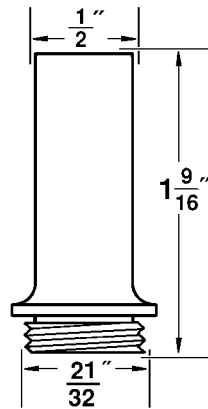
Stk. No.	Thread	Part No.
30037B	18T	38

PFISTER



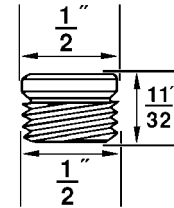
Stk. No.	Thread	Part No.
30038E	20T	39

PFISTER



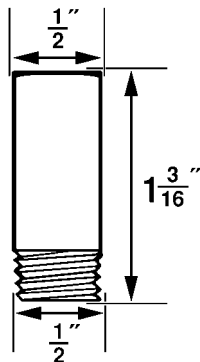
Stk. No.	Thread	Part No.
30175E	18T	176

STREAMWAY



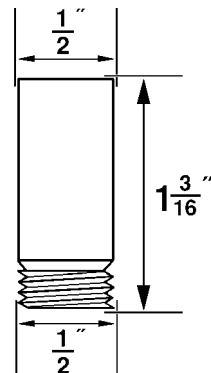
Stk. No.	Thread	Part No.
30078E	24T	79

STREAMWAY



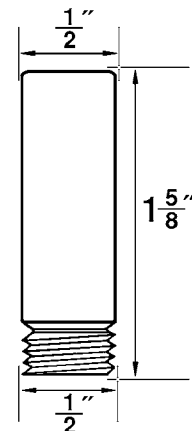
Stk. No.	Thread	Part No.
30137E	20T	138

STREAMWAY



Stk. No.	Thread	Part No.
30116E	24T	117

STREAMWAY



Stk. No.	Thread	Part No.
30141E	20T	142

BRAND SPECIFIC HANDLES

UNIVERSAL ACRYLIC HANDLES WITH REMOVABLE SKIRT TO FIT

Universal Bushing Style

- Snap-On 3/8" Extension Skirt
- Packed with Three Prong Handle Adapter



Stk. No.	Description
88172	Pair (carded)

AMERICAN BRASS

J



Stk. No.	Description
88166	Pair (carded)

EMPIRE BRASS

J

- Clear Acrylic



Stk. No.	Description
10660	Pair (carded)

PHOENIX CATALINA

AB

- Clear Acrylic



Stk. No.	Description
10650	Pair (carded)

PHOENIX

J

OEM Style

- Acrylic - Clear or Smoke

Bagged Stk. No.	Carded Stk. No.	Description
—	88170	Pair Clear
—	88171	Diverter Clear
—	88239X	Pair Smoke
—	88240	Diverter Smoke
35647B		46 Handle Screw

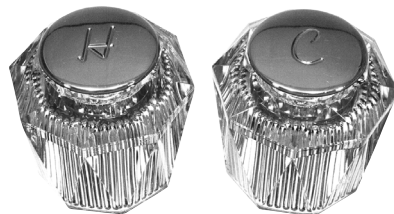


PFISTER

G

OEM Style

- Clear Acrylic



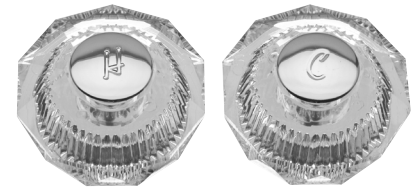
Stk. No.	Description
88165	Pair (carded)

PFISTER

G

OEM Style

- Clear Acrylic



Stk. No.	Description
88167	Pair (carded)

STREAMWAY

J

OEM Style

- Clear Acrylic

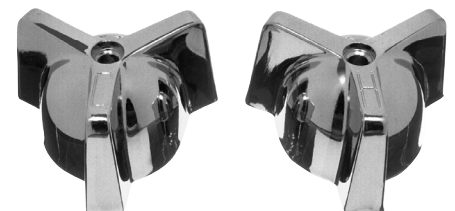


Carded Stk. No.	Description
88168	Pair
88169	Diverter

STREAMWAY

J

OEM Style



Stk. No.	Description
88177	Pair (carded)

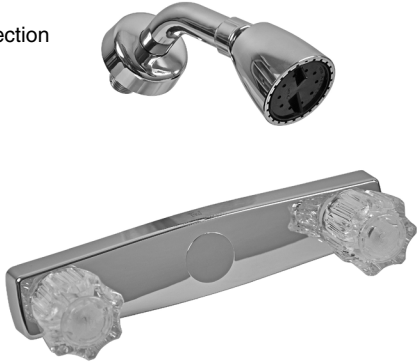


MOBILE HOME/RV REPAIRS

FAUCETS

ULTRA CHROME FAUCETS & SHOWER ARM

- Chrome
- 1/2" IPS Connection



Stk. No.	Description
10656	Faucet & Shower Arm

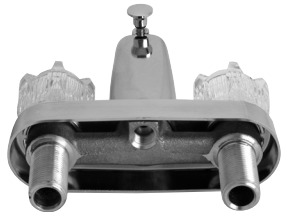
GARDEN TUB SPOUT

- Chrome
- 3 Hole Mount, Acrylic Handles
- Up to 24" Adjustable Center



Stk. No.	Description
10661	Tub Spout & Handles (2)

TUB & SHOWER DIVERTER FAUCETS



Stk. No.	Description
33158	4" Concealed Brass Underbody

TUB & SHOWER FAUCETS



33156



33055

Stk. No.	Description
33156X	8" Concealed Plastic Underbody <i>Non-Offset Style</i>
33055X	8" Concealed Plastic Underbody <i>Offset Style</i>

4" DECK FAUCET

- For RVs



Stk. No.	Description
65235	4" Deck Faucet

PERSONAL SHOWER FAUCET

- Vacuum Breaker To Insure Positive Water Shut-Off
- Chrome Plated



Stk. No.	Description
33198	4" Exposed <i>Plastic Underbody</i>

SINK & SHOWER REPAIRS

LAVATORY SINK STOPPER

- Chrome



Carded

Stk. No. Description

10646 Sink Stopper

WASH TRAY PLUG BATHTUB DRAIN

- Chrome



Carded

Stk. No. Description

10643 Bathroom Drain w/ Plug

KITCHEN FAUCET SPOUT

- Chrome



Carded

Stk. No. Description

10642 Spout

PO PLUG with STAINLESS STEEL RING

- One Piece



Carded

Stk. No. Description

88163 1 1/4" x 5"

PLASTIC REPLACEMENT STOPPER for PO PLUG



Carded
Stk. No.

88164

1 1/2" TUB DRAIN STOPPER

- Fits Tub Trap (Stk. No. 88188)



Carded
Stk. No.

88187 1 1/2" ABS

4 1/2" FLAT TOP STRAINER SHOWER DRAIN

- Stainless Steel
- Fits 3 1/2" to 4" Openings w/ 4 1/2" Top Flange Diameter



Carded
Stk. No.

10644 Shower Drain

BATH SPOUT with FRONT DIVERTER

- 1/2" IPS Connection



Carded
Stk. No.

88186

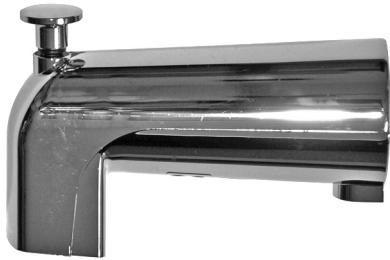


MOBILE HOME/RV REPAIRS

TUB & SHOWER REPAIRS

TUB SPOUT with DIVERTER LIFT

- Chrome



Carded Stk. No.	Description
10649	Spout w/Diverter <i>Chrome</i>

GARDEN TUB FILLER SPOUT

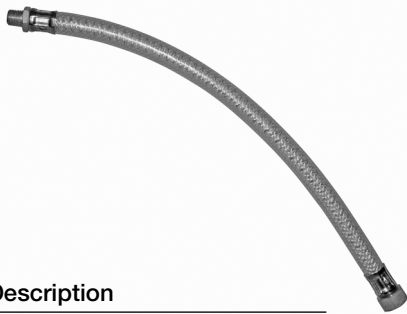
- Chrome



Carded Stk. No.	Description
10659	Spout <i>Chrome</i>

GARDEN TUB FILLER REPLACEMENT HOSE

- Brass Fitting



Carded Stk. No.	Description
10654	Flexible Hose

TUB FILLER MIXING TEE

- Black Plastic Tee



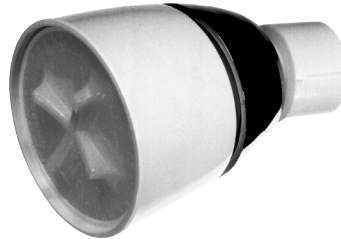
Carded Stk. No.	Description
10655	Plastic Tee <i>Black</i>

REPLACEMENT FLANGE for STREAMWAY



Carded Stk. No.	Description
88183	Lavatory Flange <i>Chrome</i>

WHITE PLASTIC SHOWER HEAD



Carded Stk. No.	Description
88185	$\frac{3}{8}$ " IPS

SHOWER HEAD, FLANGE & ARM



Carded Stk. No.	Description
10647	Shower head, Flange & Arm

SHOWER FLANGE & ARM



Carded Stk. No.	Description
10662	Shower Flange & Arm

HAND SHOWER WALL BRACKET



Carded Stk. No.	Description
10645	Hand held shower wall bracket

TRAPS, FLANGES & VENT CAPS

REPLACEMENT SINK TRAP x 1 1/2" DWV

- Includes 1 1/2" x 1/4" Reducing Poly Washer



Carded
Stk. No.

Description

88173 1 1/2" Tubular Trap
with 1 1/2" DWV Solvent Weld Socket

REPLACEMENT TUB TRAP

- 1 1/2" x 1 1/2" Tub Trap
- Black



Carded
Stk. No.

Description

88188 With 2" Captured Nut
Uses Tub Drain Stopper. No. 88187

REPLACEMENT SINK TRAP

- 1 1/2" x 1 1/2" Sink Trap
- Black



Carded
Stk. No.

Description

88189 With 2" Captured Nut

REPLACEMENT TUB TRAP x 1 1/2" DWV

- Includes: Hi-Line Nipple, Nut & Washer



Carded
Stk. No.

Description

88175 1 1/2" Tubular Trap
with 1 1/2" DWV Solvent Weld Socket

THREADED MALE CLOSET FLANGE

- ABS Plastic
- 7" Flange Diameter
- 3/4" Thread Diameter



Stk. No.

41974

THREADED FEMALE CLOSET FLANGE

- ABS Plastic
- 7" Flange Diameter
- 3/2" Thread Diameter



Stk. No.

41975

GALVANIZED PLUMBING VENT CAP



Carded
Stk. No.

88182

PLASTIC PLUMBING VENT CAP



Carded
Stk. No.

88181

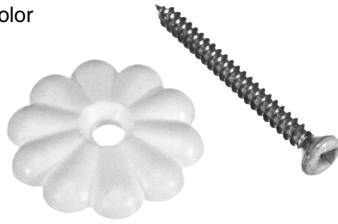


MOBILE HOME/RV REPAIRS

ROSETTES, FLOOR REGISTERS & RV REPAIR

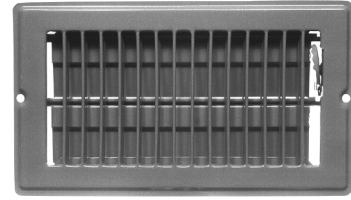
NYLON ROSETTES

- Used for Securing Ceiling and Wall Paneling
- May be Painted to Desired Color



Carded Stk. No.	Description
88158	Nylon Rosettes <i>White</i> <i>Contains: 10 Rosettes & 10 Screws</i>
88244X	Nylon Rosettes <i>Clear</i> <i>Contains: 10 Rosettes & 10 Screws</i>

FLOOR REGISTERS



White Stk. No.	Brown Stk. No.	Size	Description
62067	61789	4" x 8"	7/8" Drop
62068	61790	4" x 10"	7/8" Drop
62069	61799	4" x 8"	1 1/8" Drop
62070	61800	4" x 10"	1 1/8" Drop

MOBILE HOME DEADBOLT LOCK

- For Use on Front, Side or Back Entrance Doors
- Hardened Steel Rod Insert & Solid Brass Cylinder
- 5/8" Throw Deadbolt with Adjustable R/V and Mobile Home Strike Plate
- Fits 1 5/8" to 2" Cylinder Hole
- 2 3/8" Back Set



Stk. No.
61817

ENTRANCE DOOR LOCK FOR MOBILE HOMES/RVs

- For Doors 1 1/8" to 1 3/4"
- 2 3/8" to 2 3/4" Adjustable Back Set
- Special Mobile Home Strike Plate
- Standard Drive Latch



Stk. No.
61801

SINK STRAINER

- All Metal with Rubber Stopper



Carded Stk. No.
88328

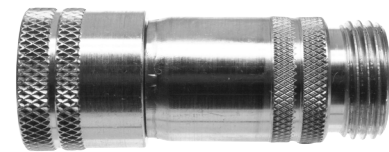
CITY WATER INLET



Carded Stk. No.
88352

WATER PRESSURE REGULATOR

- 140° Max / 200 PSI Max Inlet
- 45 PSI Max Outlet



Carded Stk. No.
88331EM

HOSE ADAPTER



Stk. No. Description
65241 45° Flex

HOSE ADAPTER



Stk. No. Description
65242 3" Straight Flex

HOSE ADAPTER



Stk. No. Description
65247 Universal

ROSETTES, FLOOR REGISTERS & RV REPAIR

SEWER HOSE COUPLERS



65261



65262

Stk. No.	Description
65261	3" Straight (Clamps Required)
65262	3" Threaded RV Coupler (No Clamps Required)

3" SEWER HOSES



65237

Stk. No.	Description
65236	10'
65237	20'

WASTE VALVE BODY with GATE SEALS, NUTS & BOLTS



Stk. No.	Description
65170	3"

AQUA FLEX HOSE



Stk. No.	Description
65176	1/2" x 25'

TERMINATION CAP



Stk. No.	Description
65167	3" with Bayonet Hooks and 3/4" Hose Thread Connection with Cap

CONVERSION ADAPTERS



65192



65193

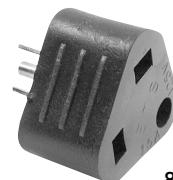
Stk. No.	Description
65192	15 AMP to 30 AMP
65193	30 AMP to 15 AMP

18" ADAPTER



Stk. No.	Description
65249	50 Male to 30 Female

ELECTRICAL ADAPTERS



88330



88332

Carded Stk. No.	Description
88330	30 AMP to 15 AMP
88332	15 AMP to 30 AMP Reverse



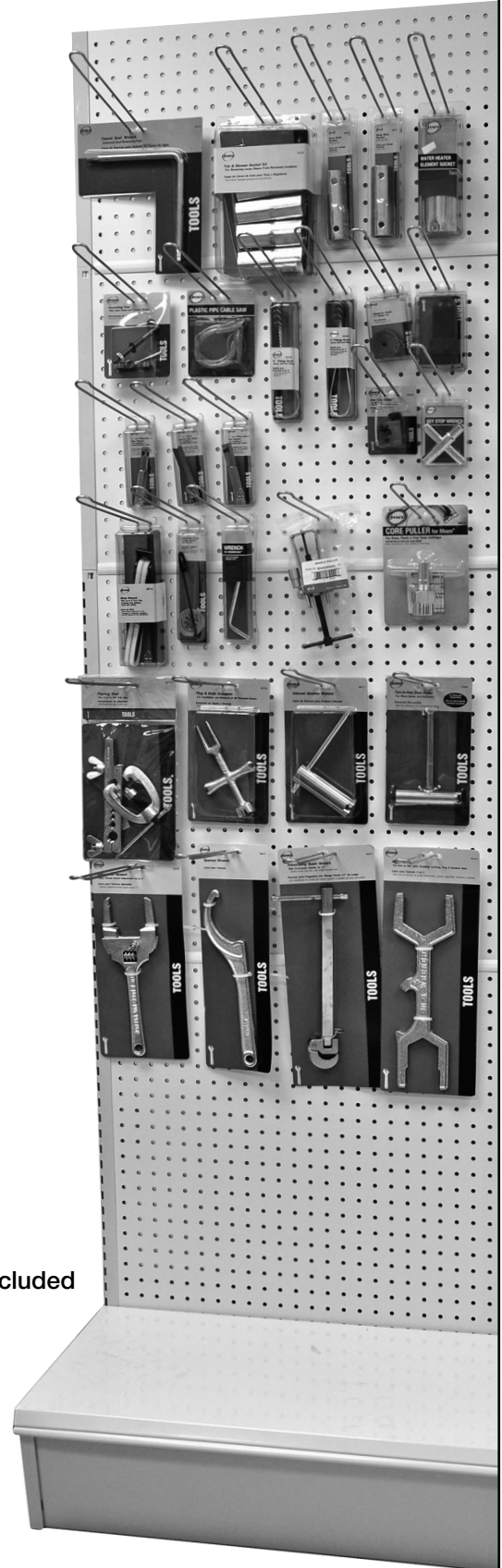
TOOLS ASSORTMENT

TOOLS ASSORTMENT

You'll find this assortment to be the perfect addition to our Full-Line of plumbing repair products.

This 2' assortment contains the most popular tools to fix your plumbing problems.

- 29 Of The Most Popular Plumbing Repair Tools
- Packaging Allows The Customer To See The Tool
- Product Descriptions Convey The Exact Use Of The Tool
- High Impact Signage Directs The Customer To The Right Assortment
- Includes *FREE* Aisle Flag, Header, Scan Tag Labels and Plan-o-Gram



Gondola Not Included

Stk. No.	Description
----------	-------------

81181	2' Tools Assortment
-------	---------------------

FREE MERCHANDISING SYSTEM COMPONENTS

- Aisle Flag
- Header
- Scan Tag Labels
- Planogram

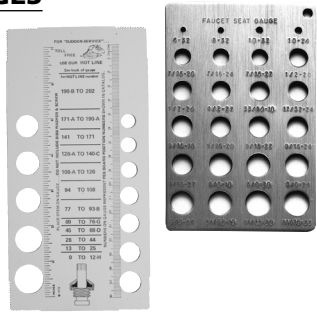


TOOLS & MISCELLANEOUS

TOOLS

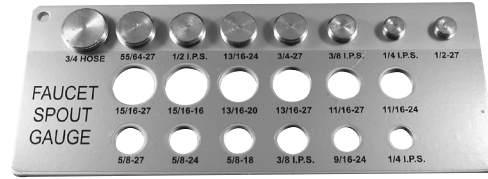
DANCO BIBB SEAT GAUGES

- Positive Identification
- Practical
- Easy to Follow Instructions



Product Stk. No.	Description
60958	8" x 4" Bibb Seat Gauge <i>Durable Plastic</i>
60953	6" x 4" Bibb Seat Gauge <i>Metal</i>

AERATOR GAUGE



Product Stk. No.	Description
60989	Aerator Gauge

4-IN-1 WRENCH

- Fits Slip Nuts, 2 Closet Spuds & Basket Strainer Nuts
- Handy & Sturdy



Carded Stk. No.
89106

STEM ID GAUGE



Product Stk. No.	Description
80567	Stem Gauge

BASIN WRENCH

- Handle Adjusts from 10" to 17" in Length
- Size: 3/8" - 1 1/4"
- Heavy-Duty Spring Action Jaws
- Heavy-Duty Construction



Carded Stk. No.
88451

3" ADJUSTABLE SPUD WRENCH

- Strong, Sturdy, Cadmium-Plated Thumb Screw Adjustment
- For Use on Coupling Nuts, Locknuts, Slip-Joint Nuts, Trap Nuts & 2 Closet Spud Nuts



Carded Stk. No.
89105

SPANNER WRENCH

- Tightens Strainer Quickly and Easily
- Assures A Watertight Joint
- Does Not Mar Chrome Finishes



Product Stk. No.	Carded Stk. No.
60508	88613

2-WAY INTERNAL PIPE WRENCHES

- Works Inside and Operates Either Way
- Equally Efficient in Installation or Removal of Close Nipples or Other Pipe Fittings Without Damage to Threads or Walls
- Exclusive Cam Action Provides Non-slipping Grip on Inside of Nipples, Pipes or Fittings
- Inserted Inside and Turned, the Knurled Eccentric Engages the Inside Wall and Provides Positive Grip



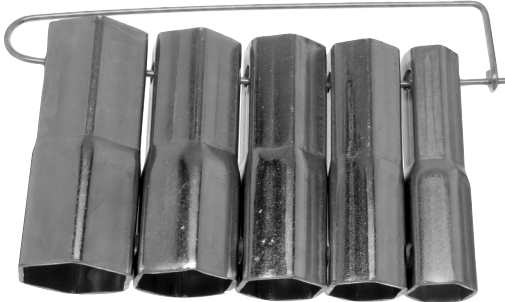
Carded Stk. No.	Description
86707	3/8" I.D.
86708	1/2" I.D.
86709	3/4" I.D.



TOOLS

SHOWER VALVE SOCKET WRENCHES

- Set Fits 99% of All Existing Shower Valve Bonnets
- Case Hardened Construction
- Chrome Plated
- Thin Shell to Permit Tool to Fit Deep into Tiled Walls



Carded

Stk. No.	Part No.	Description
60505	7	Complete Set <i>Includes:</i> Handle & Carrying Pin (carded)
—	1	$2\frac{1}{32}$ " & $2\frac{7}{32}$ " Socket
86641	2	$2\frac{9}{32}$ " & $3\frac{1}{32}$ " Socket
86642	3	$1\frac{3}{32}$ " & $1\frac{1}{32}$ " Socket
—	4	$1\frac{5}{32}$ " & $1\frac{9}{32}$ " Socket
—	5	$1\frac{1}{32}$ " & $1\frac{1}{16}$ " Socket

INTERNAL STRAINER WRENCH



Carded

Stk. No. _____
86717

STRAP WRENCHES

- Just Right for Polished Surfaces, Plastic Pipe and Glass Pipe



Carded

Stk. No. Description _____
86714 6" Fits Up to 3" O.D.

DE-JAMMER WRENCH FOR IN-SINK-ERATOR GARBAGE DISPOSALS

- Also Used When Disengaging and Re-engaging Upper and Lower Mounting Rings During Installation



Carded

Stk. No. _____
88993

BIBB SEAT WRENCH

- Universal Style
- Hex Broach on One End, Square Broach On The Other
- Case Hardened Construction
- Cadmium Plated



Carded

Stk. No. _____
80439

BIBB SEAT TOOL

- Left Hand Thread
- The More You Twist, The Tighter It Gets
- Case Hardened Steel
- Cadmium Plated Finish
- Removes Seats That Are Worn or Rounded
- Complete with Ratchet Wrench



Product

Stk. No. Description _____
60943 Seat Extractor

BIBB SEAT TOOL KIT with RATCHET WRENCH



Product

Stk. No. Description _____
60929 Complete Kit with Case Includes:
Two-Sided Square
Two-Sided Square for Deep Seats
Two Sided Hex
 $\frac{3}{8}$ " x $\frac{7}{16}$ " Box Wrench

TOOLS & MISCELLANEOUS

TOOLS

RESEATING TOOL WITH 3 CUTTER WHEELS

- Includes 1/2", 9/16" and 5/8" Cutters



Carded
Stk. No. _____

86715

HOT WATER HEATER ELEMENT WRENCH

Designed specially for the screw-in element styles where ordinary tools just don't fit. Makes replacement an easy task



Carded
Stk. No. _____

88614

BATH SHOE EXTRACTOR

- For Holding All Sizes of Basin Plugs
- Malleable Iron Construction

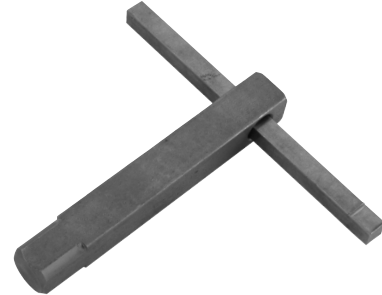


Carded
Stk. No. _____

89100

HOT & COLD SEAT REMOVAL TOOL FOR SYMMONS

- OEM Ref. Nos. T-35A and T-35B



Product
Stk. No. _____

38761

CARTRIDGE PULLER FOR MOEN

- Removes "Frozen" Cartridges Quickly and Easily
- For use on 1200, 1225 and *Posi-Temp* Cartridges



Carded
Stk. No. _____

86712

CARTRIDGE PULLER FOR MOEN

- Removes Cartridges and Dislodges Sleeves That Are Sometimes Left Behind When Cartridge Has Been Removed
- Works On Faucets and Shower Valves
- High Quality Steel Construction Allows Tool To Outlast The Faucet
- A Real Time-Saver... Pays for Itself On The Removal Of The First Stubborn Cartridge
- Used By Professionals Nationwide



Product
Stk. No. Description _____

60885 Premium Puller for Moen Cartridges

"O" RING PICK

- Provides a Quick and Easy Means of Removing Worn Out "O" Rings That Need To Be Replaced



Carded
Stk. No. Description _____

86713 "O" Ring Pick

86711 "O" Ring Pick & 1/2 oz. Waterproof Grease

HANDLE-OFF TOOLS

- Sturdy Construction
- Removes All Types of Handles Quickly and Easily: Hooded, Cross Arm or Lever Type Regardless of How Tightly They Are Frozen To The Stem
- Also Prevents Broken or Bent Stems
- Easy to Use and Saves Time



Carded
Stk. No. Description _____

89099 Twisting Handle-Off Tool



TOOLS

4-IN-ONE SILLCOCK KEY

- Hardened Steel Construction for Years of Reliable Service without Stripping
- 4-in-1 Feature Allows Tool To Be Used on Sillcocks with 1/4", 3/8", 5/16" and 11/32" Stems
- Economical and a Real Time-Saver



Carded
Stk. No. _____

80442

METAL SILLCOCK KEY

- Used Wherever Loose Key Valves Are Placed
- Broached 5/16"



Carded
Stk. No. _____

80132

LOOSE KEYS FOR SILL FAUCETS AND FLOOR FURNACES



Product

Stk. No.	Length	Hole (Square)
----------	--------	---------------

61337	2 1/2"	1/4"
-------	--------	------

RADIATOR REPAIRS



80239



60018
(80238)

Carded

Stk. No.	Description
----------	-------------

80238	Air Valve Key
-------	---------------

80239	Air Vent
-------	----------

GAS TEST GAUGE ASSEMBLY

- Adapts to 3/4" MPT
- Unbreakable Plastic Face
- Steel Case
- All Parts Are Precision Made



Bagged Stk. No.	Carded Stk. No.	Pressure Rating	Gauge Size
-----------------	-----------------	-----------------	------------

—	61700	30 PSI	2"
94352	—	15 PSI	1/10 Increments

PLASTIC PIPE CABLE SAW

- Stainless Steel
- Cuts Up To 4" pipe
- Tight or In-Ground Repairs Made Easy



Carded
Stk. No. _____

86710

FLARING TOOL

- Permits 45° Flaring of Tube Ends
- Capacity: 3/8" to 5/8" O.D. Pipe

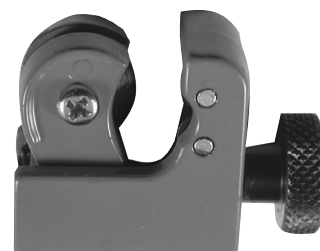


Carded
Stk. No. _____

86718

MINI TUBE CUTTER

- 1/8" O.D. to 3/8" O.D. Capacity
- 1 1/4" Clearance
- Chrome Plated



Carded
Stk. No. _____

80443

TOOLS & MISCELLANEOUS REPAIRS

FITTINGS BRUSH

- Heavy-Duty Construction
- Stainless Steel Bristles



Product Stk. No.	Carded Stk. No.
89098	1/2"
86645	3/4"

TUBE BRUSH

- Perfect for Finishing the Ends of Small O.D. Tubing or Pipe
- Also Good for Spark Plugs



Carded
Stk. No. _____

89101

EZ-WEDGE

- Ideal for Stabilizing Toilets, Tubs, Tables, Cabinets, Furniture, Bookshelves & Much More
- Clear Plastic
- 1 1/8" L x 1 1/8" W x 1/4" H

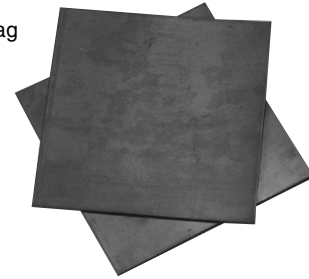


Carded
Stk. No. Description

88523 6 per card

RUBBER SHEETING

- 6" x 6"
- 2 Sheets
- Packed in Bag with Header Tag



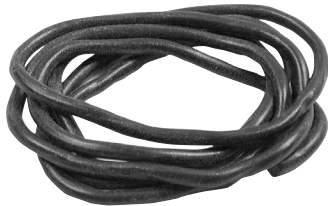
Product Stk. No. Description

59849 1/16" Thick

59859 1/8" Thick

GRAPHITE PACKING

- Self Forming
- Contains Rubber & Zinc Oxides
- 3/32" x 24"



Product Carded
Stk. No. Stk. No.

36375B, W 80793

ABRASIVE CLOTH

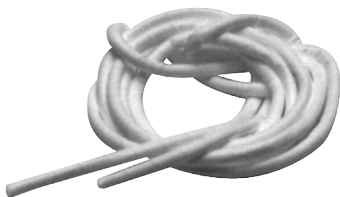
- 1 1/2" Medium Grit
- 2 Yards



Carded
Stk. No. _____

86643

SELF-FORMING VALVE PACKING



Product Stk. No.	Carded Stk. No.	Description
36380W	80794	3/32" x 36" Rope
—	—	10 per Bag
—	80074	5/32" x 18" Rope

PIPE THREAD TAPE

- 3 mil Thick
- Seals Pipe Threads Quickly & Easily
- Self-Lubricating
- Stays Soft & Flexible
- Eliminates Need for Fittings
- Resists All Acids, Solvents & Oil
- Nontoxic, Nonflammable



Product Stk. No. Size

96427X 1/2" x 260"
24 Rolls in Countertop
or Hanging Dispenser System



MISCELLANEOUS REPAIRS

EMERGENCY REPAIR TAPE

- 1" x 16'
- Seals All Leaks and Cuts Wet or Dry
- For Homes Cars or Boats
- Apply in Temperatures From 0° to 212°
- Water & Air Tight at 100 PSI



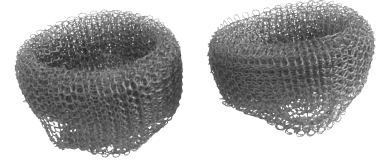
Carded

Stk. No. Description

88823 1" x 16'

WASHING MACHINE LINT TRAP

- Eliminates Clogs
- Reusable
- Cleans Easily
- 2 per Card



Carded

Stk. No. Description

88995 Stainless Steel

SILICONE GREASE

- Use As A Lubricant On Faucets & Valve Stems
- Can Be Used On Ceramic Stems



Carded

Stk. No. Description

88693 1/2 oz. Container

WATERPROOF GREASE

- Use As A Lubricant On Faucets & Valve Stems



Carded

Stk. No. Description

80360A 1/2 oz. Container

REPAIR ASSORTMENT FOR UNION WASHERS

Use dielectric union washers wherever dissimilar metals occur in piping and plumbing systems or where an electrically insulated connection is required, such as water storage tanks, gas piping, air conditioning, water conditioners, oil piping, plating tanks, water pumps and steam lines

Product

Stk. No.	Size	O.D.	I.D.	Thick
60092Z*	3/8" Standard	1 1/16"	5/8"	3/32"
60093B, Z*	1/2" Standard	1 3/16"	3/4"	3/32"
61261B, W*	3/4" Standard	1 3/8"	1 5/16"	3/32"
60094Z*	3/4" Oversize	1 1/2"	1"	3/32"
61262W*	1" Standard	1 5/8"	1 1/8"	3/32"
61263W*	1" Oversize	1 13/16"	1 1/4"	3/32"
61264W*	1 1/4" Standard	2 7/8"	1 1/2"	3/32"
61265W*	1 1/2" Standard	2 7/16"	1 11/16"	3/32"
61266W*	2" Standard	2 13/16"	2 3/16"	3/32"

* Qty: 10 per Bag



Product

Stk. No. Description

39940 Union Washers Assortment Kit
9 Different Types Total 102 Pieces

SILLCOCK REPAIRS

UNIVERSAL OUTDOOR FAUCET HANDLE

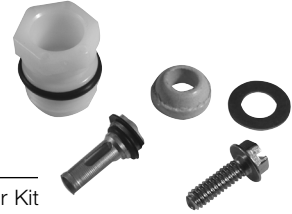
- Rust Resistant
- Ergonomic



Product Stk. No.	Description
10006	Outdoor Faucet Handle

REPAIRS FOR MANSFIELD FROSTPROOF SILLCOCK

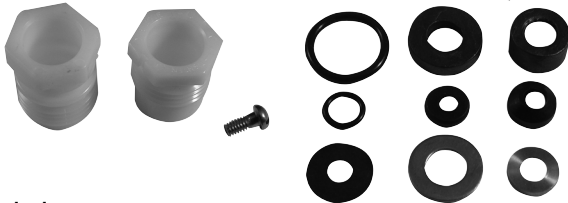
For Anti-Syphon 478 & 482



Product Stk. No.	Carded Stk. No.	Description
73261	88755	MA-100 Repair Kit
<i>Kit Contains (1) each:</i>		
—	—	Packing
35730B	—	"O" Ring
35360Z	—	Packing Washer Brass
—	—	Plastic Bonnet
—	—	Handle Screw
—	—	Retainer & Bibb Washer Assembly

REPAIRS FOR MANSFIELD FROSTPROOF SILLCOCK

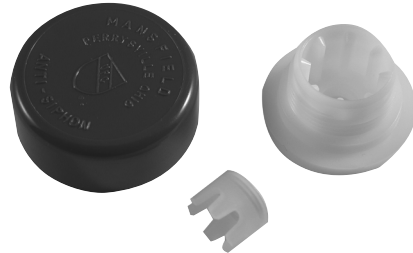
For Series 300 & 500



Carded Stk. No.	Description
86806	Repair Kit

REPAIRS FOR MANSFIELD FROSTPROOF SILLCOCK

For Series 500



Carded Stk. No.	Description
86807	Repair Kit

HANDLES FOR MANSFIELD FROSTPROOF SILLCOCK



Product Stk. No.	Carded Stk. No.	Description
73257Z	88754	Mansfield Sillcock Handle Plastic
—	88664	Mansfield Sillcock Handle Metal

REPAIRS FOR WOODFORD FREEZELESS WALL HYDRANT

For Series #14



Stk. No.	Description
75254	WD-1 Repair Kit
<i>Kit Contains (1) each:</i>	
—	Packing
—	Packing Support Washer
—	Valve Seat Rubber
—	Retainer Screw for Valve Seat

HANDLES FOR WOODFORD FREEZELESS WALL HYDRANT

For Series #14



Product Stk. No.	Carded Stk. No.	Description
—	88863	Woodford Hydrant Handle Metal
73228Z	88864	Woodford Hydrant Handle Plastic

HANDLE FOR WOODFORD FREEZELESS WALL HYDRANT

For Automatic Draining #25



Carded Stk. No.	Description
86808	Woodford Wheel Handle Metal



BIBB SEAT, REPAIR PARTS & "O" RING KITS

BULK FAUCET REPAIR PARTS CABINET



Product
Stk. No. Description

37779HH	Faucet Repair Parts Cabinet
<i>Kit Contains (1) each:</i>	
14682	Kit for Large "O" Rings
39944	A "O" Rings 26 Different Types <i>Total 168 Pieces</i>
39945	B "O" Rings 31 Different Types <i>Total 186 Pieces</i>
39946	C "O" Rings 21 Different Types <i>Total 125 Pieces</i>
39949	Faucet Washers & Screws 32 Different Types Washers (29 Different Types) Screws (3 Different Types) <i>Total 202 Pieces</i>
82602	32 Compartment Box Only
82603	Four Drawer Cabinet Only

BULK BIBB SEAT ASSORTMENT KIT

- Metal Box



Stk. No. Description

39947E	Replacement Kit for Faucet Seats <i>Kit Contains 29 Types of Bibb Seats for Total 290 Pieces</i>
--------	---

"O" RING ASSORTMENT KIT

Kit No. 62

- Silicone Treated Rubber Withstands Harsh Chemicals in the Water
- Metal Box with Locking Lid & Handle
- "O" Rings Come in Individual Plastic Boxes



Product
Stk. No. Description

37846	#62 "O" Ring Assortment Kit <i>Kit Contains 47 Assorted Sizes Total 288 Pieces</i>
-------	---

"O" RING ASSORTMENT KIT

- Silicone Treated Rubber Withstands Harsh Chemicals in the Water
- Metal Box with Locking Lid & Handle
- "O" Rings Come in Individual Plastic Boxes



Product
Stk. No. Description

34443	"O" Ring Assortment Kit <i>Kit Contains 12 Assorted Sizes Total 200 Pieces</i>
-------	---

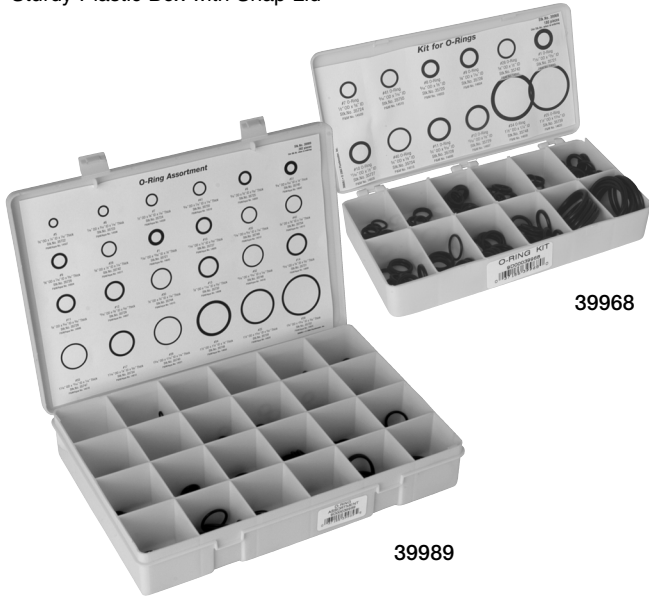


ASSORTMENTS & KITS

"O" RING KITS

"O" RING REPLACEMENT KIT

- Silicone Treated Rubber Withstands Harsh Chemicals in the Water
- Sturdy Plastic Box with Snap Lid



Product Stk. No.	Description
39968	"O" Ring Assortment Kit Contains 12 Assorted Sizes for Total 78 Pieces
39989	"O" Ring Assortment Kit Contains 24 Assorted Sizes for Total 150 Pieces

LARGE "O" RING KIT

- "O" Rings from 1 1/8" O.D. to 5 7/8" O.D.
- Metal Box with Locking Lid & Handle



Product Stk. No.	Description
14682	Large "O" Ring Assortment Kit Contains 19 Different Sizes for Total 100 Pieces

BULK "O" RING ASSORTMENT KIT

- Metal Box with Locking Lid & Handle



Product Stk. No.	Description
39944	A "O" Rings 26 Different Types Total 168 Pieces
39945	B "O" Rings 31 Different Types Total 186 Pieces
39946	C "O" Rings 21 Different Types Total 125 Pieces

"O" RING SPLICING KIT



Product Stk. No.	Description
61268	Master "O" Ring Splicing Kit Kit Contains Adhesive, Splicing Fixture, Razor Blade & 12 Assorted Size Cords (Cords are 6' Long)



"O" RING & WASHER KITS

LARGE RUBBER WASHER REPLACEMENT KIT Washers 1/8" & 1/16" Thick



Product

Stk. No. Description

37772 Large Rubber Washer Assortment
1/16" Thick 1 1/4" OD to 2" OD
Kit Contains 8 Assorted Sizes for Total 80 Pieces

BIBB WASHERS, SCREWS & RETAINERS ASSORTMENT KIT Kit No. 85

- Includes Screws, Retainers, Beveled and Flat Washers
- Metal Box with Locking Lid & Handle



Product

Stk. No. Description

37814 #85 Washers, Screws & Retainers Assortment Kit
Total 268 Pieces

Kit Contains:

- 16 Sizes of Flat Washers
- 14 Sizes of Beveled Washers
- 4 Sizes of Retainers
- 6 Sizes of Screws

BULK FAUCET WASHERS & SCREWS ASSORTMENT KIT

- Metal Box



Product

Stk. No. Description

39949 Faucet Washers & Screws Assortment Kit
32 Different Types Total 202 Pieces

WASHERS REPLACEMENT ASSORTMENT KITS

- Metal Box with Locking Lid and Handle
Washers Come in Individual Plastic Boxes
- Sturdy Plastic Box with Snap Lid (Stk. Nos. 39993 & 39994)



Product

Stk. No. Description

39993 Beveled Washers Assortment Kit
13 Different Types Total 76 Pieces

39994 Flat Washers Assortment Kit
15 Different Types Total 86 Pieces



ASSORTMENTS & KITS

WASHER & ASSORTED KITS

UNION WASHERS REPLACEMENT ASSORTMENT KIT

- Sturdy Plastic Box with Snap Lid



Product Stk. No.	Description
39940	Union Washers Assortment Kit 9 Different Types <i>Total 102 Pieces</i>

FLAT & BEVELED FAUCET WASHERS REPLACEMENT ASSORTMENT KIT



Product Stk. No.	Description
39991	Faucet Washers Assortment Kit Sizes 000 to 1/4L <i>Flat</i> Sizes 000 to 3/8 <i>Beveled</i> <i>Total 72 Pieces</i>

CAP THREAD GASKET ASSORTMENT KIT



Product Stk. No.	Description
39943	Bulk Cap Thread Gasket Assortment Kit <i>Kit Contains 28 Assorted Sizes</i> <i>Total 83 Pieces</i>

BONNET PACKINGS ASSORTMENT KIT



Product Stk. No.	Description
39942	Bulk Bonnet Packing Assortment Kit <i>Kit Contains 24 Assorted Sizes</i> <i>Total 72 Pieces</i>



ASSORTED KITS

HANDLE ADAPTER REPLACEMENT KIT

- Metal Box with Locking Lid & Handle
- Adapters Come in Individual Plastic Boxes



Product

Stk. No. Description

37899 Handle Adapter Assortment Kit
22 Different Types Total 132 Pieces

FROSTPROOF SILLCOCKS REPLACEMENT ASSORTMENT KIT

- Metal Box with Locking Lid & Handle



Product

Stk. No. Description

75252 Frostproof Sillcock Repairs Kit
Kit Contains 20 Assorted Types
Total 73 Pieces

REPAIRS FOR DELTA

- For Single Handle Faucet Repair
- Sturdy Plastic Box with Snap Lid



Product

Stk. No. Description

37996 Repair Parts for Delta Single Handle Faucets
Kit Contains Faucet Balls (#212 Ball & #70 Ball),
Cam Assemblies, Seat Assemblies, Spray Diverters,
"O" Rings & Aerators Total 108 Pieces

ASSORTMENTS

FAUCET STEM ASSORTMENTS

DANCO stocks customized stem displays containing the most popular faucet stems in your geographic region.

This assortment includes stems and stem accessories that come in snap packs to let your customers see the product without breaking open the package.

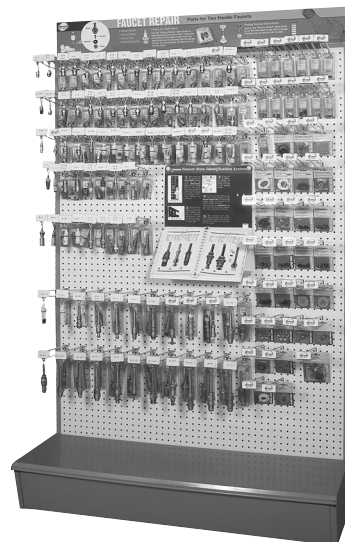
Each assortment comes complete with DANCO's Picture Perfect Stem ID Book, hook and gauge.

Also included are peg hooks, reorder cards, Plan-O-Gram and an eye-catching point of purchase display header.

Product

Stk. No. Description

19140E 4' Eastern States Assortment
19143E 3' Middle States Assortment
19158 3' Nationwide Assortment
with expanded Tub & Shower Section



Gondola Not Included



ASSORTMENTS & KITS

REPAIR ASSORTMENTS

ASSORTMENTS

COMBO FAUCET REPAIR ASSORTMENTS

- Regionally Designed
- For Small Towns With a Population of Less Than 3,000
- Contains the Most Popular Stems, Single Handle Repairs, "Ready-Fit" Handles, OEM-Type Handles and Universal Flanges
- Comes Complete with Header, Reorder Cards and Peghooks



Gondola Not Included

Product

Stk. No.	Description
19169E	4' Eastern/Middle Combo Assortment

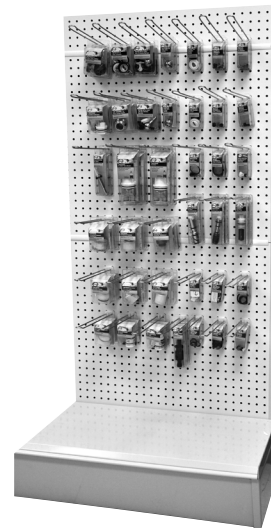
SINGLE HANDLE FAUCET REPAIR ASSORTMENT

DANCO's Single Handle Faucet Repair Assortment contains repairs for all popular single lever faucets (Moen, Delta, Valley, etc.) and also contains the hard-to-find repair parts for Kohler, Mixet, etc.

All parts are carried in slide blister packages to eliminate broken packaging. The front section of DANCO's Picture Perfect Book provides an actual-size photograph of all single lever faucet parts for quick identification and sale of any part.

Contains Repairs For:

Delta, Kohler, Mixet, Moen, Pfister, Sterling, Valley, etc.



Gondola Not Included

Product

Stk. No.	Description
80494E	2' Single Handle Faucet Repairs

TIP BIN FAUCET REPAIR PARTS PROGRAM

Over 100 Parts, including "O"-Rings, Flat & Beveled Washers, Bonnet Packings, Cap Thread Gaskets, Pop-Up Repairs, Tub Repairs, Shower Repairs & More...

- Designed to Meet Your Customers Needs
- Parts Are Packaged in Individual Color-Coded Bags with UPC Codes



Gondola Not Included

Product

Stk. No.	Description
39704	4' x 5' Tip Bin Parts Program Contains 180 Parts
83570	Picture Perfect Frame Assembly Empty



ASSORTMENTS

UNIVERSAL FAUCET HANDLE & FLANGE ASSORTMENT

DANCO's Handle Assortment replaces over 97% of all single and double handle faucets in just 3'

Included is DANCO's fit-all bath flange in two styles, which will fit almost any stem with a packing nut

To round out the assortment, DANCO has added the most popular OEM-Style handles for both double and single handle faucets



Gondola Not Included

Product

Stk. No.	Description
19171	3' "Ready-Fit" Handle & Flange Assortment <i>Includes OEM Style Handles</i>
37899	Handle Adapters in Kit

BRAND SPECIFIC TYPE HANDLE ASSORTMENTS

DANCO's own stylized replacements for the most popular OEM handles

- The Handles are Very Popular with the Professional As Well As With The Do-It-Yourselfer Looking For the Exact Fit
- "Master" OEM Handle Display Is Designed For Those with a Contractor Based Clientele
- Replacement Handles Available For:
American Standard, Delta/Delex, Gerber, Pfister, Sayco, Sterling & Valley



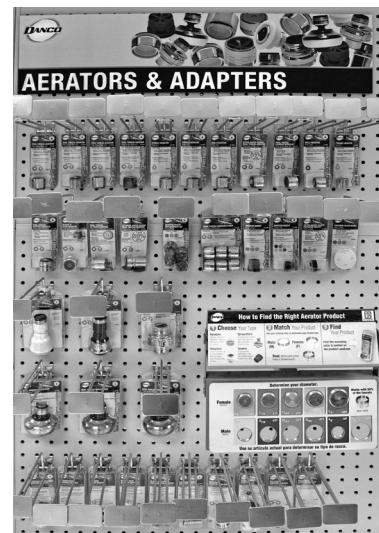
Gondola Not Included

Product

Stk. No.	Description
80511	4' OEM-Type Handle Assortment

AERATOR / AERATOR ADAPTER ASSORTMENT

- Contains 50 Different Types of Aerators, Adapters, Snap Couplings, etc.
- Comes Complete with "Size Bar" For Easy Thread Identification of Both Male and Female Aerators
- The Header Is Complete With All Instructions To Allow Your Customers To Identify The Part They Need Without Assistance



Gondola Not Included

Product

Stk. No.	Description
10556	Aerator Assortment



ASSORTMENTS & KITS

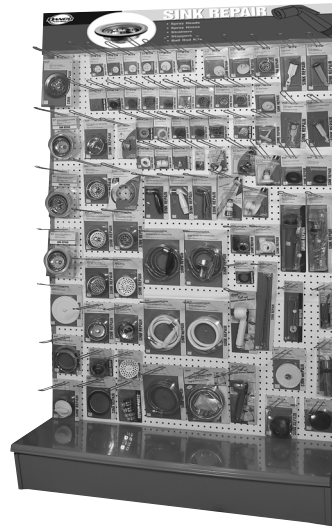
REPAIR ASSORTMENTS

ASSORTMENTS

SINK REPAIR ASSORTMENT

This assortment features an extensive selection of product effectively packaged and merchandised to maximize your selling space!

- Extensive Product Mix Including:
 - Kitchen Sink Strainer Assemblies & Accessories
 - Lavatory Pop-up Assemblies & Accessories
 - Kitchen Spray Hoses & Accessories
- Products Available In A Choice of Finishes, Sizes and Price Points
- Reclosable Packaging
- Informative, Consumer-Friendly Language Simplifies The Product Selection Process
- High-Impact Signage Easily Guides Consumers To The Right Assortment For Their Sink Repair Needs
- Includes *FREE* Aisle Flag, Header, Scan Tag Labels and Plan-o-Gram



Gondola Not Included

Product

Stk. No. Description

81177A	4' Sink Repair Assortment 1 Each
81187A	4' Sink Repair Assortment 3 Each

TUB & SHOWER REPAIR ASSORTMENT

DANCO provides the most comprehensive assortment of Tub & Shower Repair Parts & Accessories in the industry today. This assortment features an extensive selection of product effectively packaged and merchandised to maximize your selling space.

- Contains Tub & Shower Repair Parts in 4' of Space
- Includes All Of The "Most Asked For" Repair Parts:
 - Showerheads and Shower Arms
 - Tub Spouts, Tub Faceplates
 - Hand-Held Shower Assemblies, etc.
- Many Of The Parts Are Available In Both Chrome and Brushed Nickel
- Attractive Packaging Includes Both Category and Graphic Icon To Lead The Consumer To The Right Parts
- Includes *FREE* Aisle Flag, Header, Scan Tag Labels and Plan-o-Gram



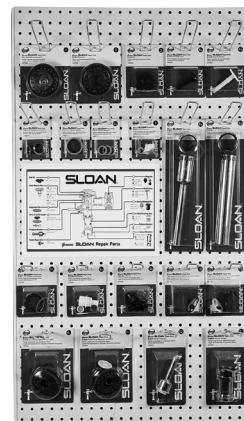
Gondola Not Included

Product

Stk. No. Description

81178A	4' Tub & Shower Repair Assortment 1 Each
81188A	4' Tub & Shower Repair Assortment 3 Each

SLOAN REPAIR ASSORTMENT



Product

Stk. No. Description

37075	2' OEM Sloan Assortment Includes 20 Different Repairs (carded)
-------	---



ASSORTMENTS

TOILET REPAIR MASTER ASSORTMENT

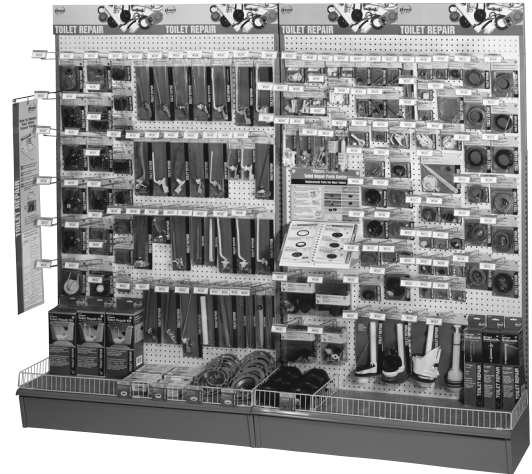
DANCO's "Picture Perfect" Toilet Repair ID System makes finding the right repair parts as easy as 1-2-3

The ID book identifying 200 toilet parts is color-coded to the type of repair parts needed... flappers, tank levers, ballcock repairs, etc.

The informative aisle flag leads the consumer through the identification process making this a "self service" profit center.

The packaging has category color codes as well as ID numbers clearly displayed

- Includes *FREE* Aisle Flag, Header, Scan Tag Labels and Plan-o-Gram



Gondola Not Included

Product

Stk. No. Description

81180A	8' Toilet Repair Master Assortment 2 Each
81190A	8' Toilet Repair Master Assortment 3 Each

TOILET REPAIR MINI ASSORTMENT

DANCO's "Picture Perfect" Toilet Repair ID System makes finding the right repair parts as easy as 1-2-3. There's no need to know who the original manufacturer was for the china or the internal parts.

The ID book identifying 200 toilet parts is color-coded to the type of repair parts needed... flappers, tank levers, ballcock repairs, etc.

The informative aisle flag leads the consumer through the identification process making this a "self service" profit center.

The packaging has category color codes as well as ID numbers clearly displayed.

- Includes *FREE* Aisle Flag, Header, Scan Tag Labels and Plan-o-Gram



Gondola Not Included

Product

Stk. No. Description

80458A	4' Toilet Repair Assortment 1 Each
81194A	4' Toilet Repair Assortment 3 Each

GENERAL PLUMBING REPAIR PARTS ASSORTMENT

We make it easy for your consumer to quickly locate their needed plumbing repair parts with our comprehensive assortment of hard-to-find products for Supply, Faucet, Drain and General Repair.

Product organization is your key to increased sales and profits!

- "Hard-To-Find" Products Become Easy To Find When Product Is Planogrammed By Category
- Package Icons Guide The Consumer To The Right Repair Category
- Informative, Consumer-Friendly Language Simplifies The Product Selection Process
- High-Impact Signage Easily Guides Consumers To The Right Assortment For Their Repair Parts Needs
- Includes *FREE* Aisle Flag, Header, Scan Tag Labels and Plan-o-Gram



Gondola Not Included

Product

Stk. No. Description

81176A	2' Plumbing Repair Parts Assortment 1 Each
--------	--



REPAIR ASSORTMENTS

ASSORTMENTS

TUBULAR DRAIN ASSORTMENTS

DANCO has developed our exciting Tubular Drain Programs to meet the changing merchandising needs of our Hardware Store customers. Packaging for these programs is a dynamic merchandising tool printed in full color with the product color-coded by type. Our completely resealable bagged product creates a smaller package that works harder to maximize your retail space, allowing you to merchandise 40% more than you would with a skin card package.

- A Self-Help Merchandising System
 - Packages Color-Coded By Type and Tied Into Product Identification Aisle Flags
- Dynamic New Packaging
 - Graphics Depict Product Assembled, Making Product Identification A Snap
 - Bilingual Product Descriptions
 - Complete With Easy-to-Follow Instructions
- Includes **FREE** Aisle Flag, Header, Scan Tag Labels and Plan-o-Gram



Gondola Not Included

Product Stk. No.	Description
------------------	-------------

81104	2' Flexible Tubular Drain Repairs Assortment <i>Contains: 6 Different Repairs Total 7 Pieces</i>
81108	2' Flexible Tubular Drain Repairs Assortment <i>Contains: 6 Different Repairs Total 7 Pieces</i>
81105	4' White Plastic Tubular Drain Repairs Assortment <i>Contains: 43 Different Repairs Total 45 Pieces</i>
81109	4' White Plastic Tubular Drain Repairs Assortment

Contains: 42 Different Repairs Total 44 Pieces

TUBING & HOSE CENTERS

Your customer will have no problem finding the product they need to get the job done with:

- Color-Coded Point-of-Purchase Tags
- Easy-to-Read Product Application Cards
- Useful Information On Cards Including: Size (ID and OD), Working Pressure, MAX Operating Temperature, Brittle Temperature, Material and Hardness
- Easy-to-Use Display Rack With Foot Markings On Product For Easy Measuring and Tubing Guides For Easy Maneuvering
- Competitive Pricing
- Space-Efficient and Easy-to-Maintain Display Rack
- In-Store Servicing of the Display



Product Stk. No.	Description
------------------	-------------

51385	4' Tubing Center <i>Includes: 17 Spools of Vinyl & Polyethylene Product</i>
51387	4' Combination Tubing & Hose Center <i>Includes: 18 Spools of Vinyl, Polyethylene, PVC, Air & Rubber Hose Product</i>

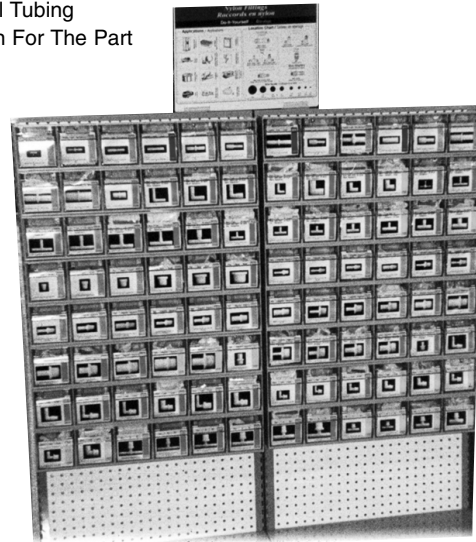


ASSORTMENTS

NYLON FITTINGS ASSORTMENTS

Nylon Fittings Tip Bin Assortment

- Each Part Is Individually Bagged With UPCs
- Offers A Complete Selection Of All Fittings Used in the Application of Ice Maker Machines, Refrigerators, Mobile Homes, Air Conditioners, Etc.
- Fittings Are Primarily Used In Conjunction With Sales of Poly and Vinyl Tubing
- Header Provides Sizing (Color-Coding) and Quick & Easy Identification For The Part



Gondola Not Included

Product

Stk. No. Description

52707 Nylon Fittings Tip Bin Assortment
Contains: 3 each of 94 different fittings in 16 tip bins

TOOLS ASSORTMENT

DANCO's two foot assortment contains the most popular tools to fix your plumbing problems.

- 27 Of The Most Popular Plumbing Repair Tools
- Packaging Allows The Customer To See The Tool
- Product Descriptions Convey The Exact Use Of The Tool
- High Impact Signage Directs The Customer To The Right Assortment
- Includes *FREE* Aisle Flag, Header, Scan Tag Labels and Plan-o-Gram



Gondola Not Included

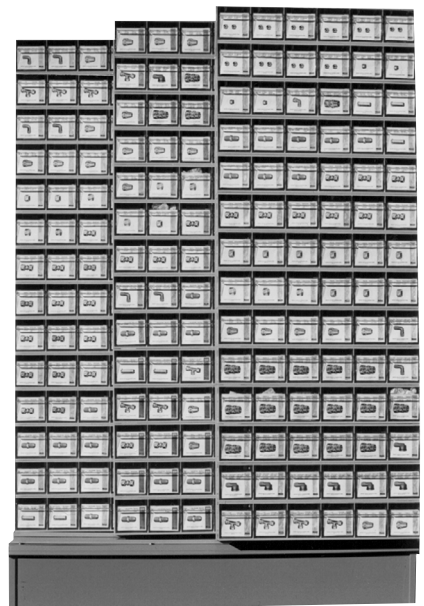
Product

Stk. No. Description

81181 2' Tool Assortment
Contains: (1) each of 27 different items

BRASS FITTINGS ASSORTMENTS

- Parts Are Packaged With Color-Coded Tags with UPC Codes
- Over 200 Parts In A Variety of Sizes Including Fittings, Elbows, Nipples, Unions, Adapters, Nuts and Couplings



Gondola Not Included

Product Carded

Stk. No. Stk. No. Part No. Description

52746E Fittings Tip Bin Program Assortment
Contains: 221 Types of Fittings (3-door System)

83180 Fittings Frame Assembly *Empty*



FAUCET REPAIR
PARTS

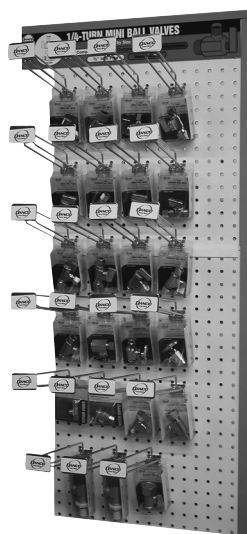
REPAIR ASSORTMENTS

ASSORTMENTS

MINI-BALL VALVES ASSORTMENT

2 Ft. Assortment of the most popular Quarter-Turn Ball Valves

- 1/4 Turn Design Prevents Leaking Supply Stops
- Chrome Plated, Heavy Brass Construction For Years of Reliable Service
- Washerless Design With Hi-Temp Viton Seats Result In Replacing Less Often Than Conventional Stops
- NSF-61 UPC CSA Approved



Gondola Not Included

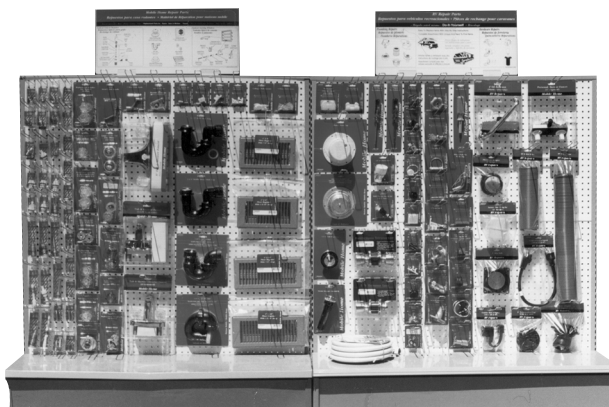
Product
Stk. No. Description

81112 1' Quarter-Turn Mini Ball Valve Assortment
Contains: 15 Different Valves Total 57 Pieces

MOBILE HOME/RV REPAIR COMBO ASSORTMENTS

DANCO offers a complete line of repair parts for mobile homes and recreational vehicles.

Your customers can buy virtually everything they need in one purchase! Whatever your customers' needs, they will find it in this comprehensive display.



Gondola Not Included

Product
Stk. No. Description

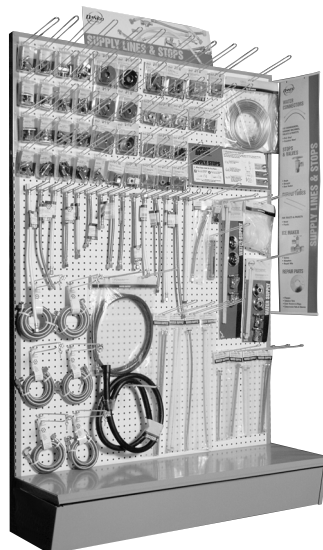
19400 Mobile Home/RV Assortment
Contains: 80 of the most popular Mobile Home repair parts
37 of the most popular RV repair parts

19395 4' Mobile Home Hardware Starter Assortment

SUPPLY LINES & STOPS ASSORTMENTS

Our Supply Lines & Stops Assortments are designed to maximize space and make it easy for the do-it-yourselfer to find exactly what they need.

- Extensive Product Mix Makes It Easy To Find The Parts Needed To Supply Water To: Toilets, Faucets, Washing Machines, Dishwashers and Ice Makers
- Includes The Most Popular Stops, Valves, Flexible Connectors, Flanges and Hoses
- High Impact Signage Directs The Customer To The Right Assortment
- Easy-to-Use Gauge Helps The Customer Find The Correct Size
- Includes *FREE* Aisle Flag, Header, Scan Tag Labels and Plan-o-Gram



Gondola Not Included

Product
Stk. No. Description

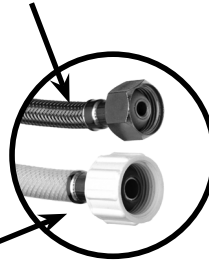
81179A 4' Supply Lines & Stops Standard Assortment

ASSORTMENTS

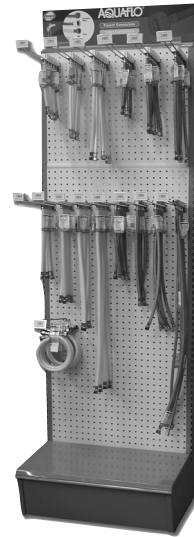
AQUAFLO® CONNECTOR ASSORTMENT

- AquaFlo® is the "Original" Flexible Connector
- All Connectors Are Manufactured With PowerTight™ Crimps and Quality Brass Fittings For Long Term Reliability
- Assortments Contain Both AquaFlo's® Diamondbac™ Vinyl and MightyFlex™ Stainless Steel Connectors
- Complete Line Of Connectors In The Most Popular Lengths For Both Toilet and Faucet Installations
- Color Coded Tags For Easy Identification
- UPC Listing and NSF-64 Compliant

High Quality
Stainless Steel
Braiding for
Increased
Reliability



12 PowerTight™
Crimps for
Increased
Durability



Gondola Not Included

Product

Stk. No.	Description
----------	-------------

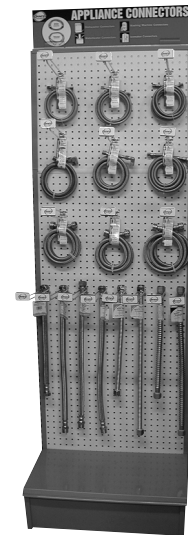
81164A	2' AquaFlo Faucet & Toilet Connectors Assortment
--------	--

©™ AquaFlo, PowerTight, DiamondBack and MightyFlex are Trademarks of LSP Products Group

APPLIANCE CONNECTOR ASSORTMENT

Dishwasher • Washing Machine • Water Heater • Ice Maker

- AquaFlo® Is The "Original" Stainless Steel Flexible Connector
- Assortment Contains the Most Popular MightyFlex™ Stainless Steel Dishwasher Connectors and Ultracore™ Stainless Steel Washing Machine, Ice Maker and Water Heater Connectors
- Assortment Also Includes Stainless Steel and Copper Flexible Corrugated Water Heater Connectors
- All Connectors Are Manufactured With PowerTight™ Crimps and Quality Brass Fittings For Long Term Reliability
- UltraCore™ Barrier Resists The Hardest Chemicals - Prevents Erosion, Leaks and Cracks
- UPC Listing and NSF-64 Compliant



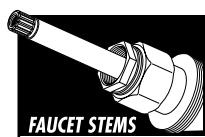
Gondola Not Included

Product Carded

Stk. No.	Stk. No.	Part No.	Description
----------	----------	----------	-------------

81114A	2'	AquaFlo®	Appliance Connector Assortment
--------	----	----------	--------------------------------

©™ AquaFlo, PowerTight, UltraCore and MightyFlex are Trademarks of LSP Products Group



FAUCET STEMS

PICTURE PERFECT REPLACEMENT FAUCET STEMS FOR...

SAYCO
CERAMIC DISC

2B-4



Description	ID#	Stock#
Hot Stem	2B-4H	18708E
Cold Stem	2B-4C	18709E
"O" Ring	30	35744B

GERBER
CERAMIC DISC

3B-7



Description	ID#	Stock#
Hot Stem	3B-7H	18716E
Cold Stem	3B-7C	18717E
"O" Ring	30	35744B

CHICAGO FAUCET
CERAMIC DISC

4S-7



Description	ID#	Stock#
Hot Stem	4S-7H	16133E
Cold Stem	4S-7C	16132E
Washer	1/2L Flat	35070B
Packing	41	35197B
Stem Screw	10	35147B

ZURN
CERAMIC DISC

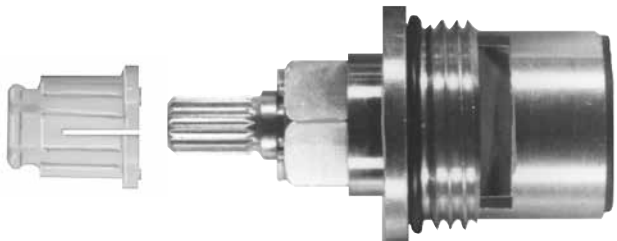
4S-8



Description	ID#	Stock#
Hot Stem	4S-8H	18830E
Cold Stem	4S-8C	18831E
"O" Ring	30	35744B

KOHLER/EUROPEAN 3/4"-20PT
CERAMIC DISC

4Z-9



Description	ID#	Stock#
Hot Stem	4Z-9H	18850E
Cold Stem	4Z-9C	18851E
"O" Rings	66	35780B
	5	35722B
Handle Screw	58	35659B

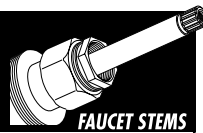
JADO, EUROPEAN 1/2"-20PT
CERAMIC DISC

4Z-17



Description	ID#	Stock#
Hot Stem	4Z-17H	18860E
Cold Stem	4Z-17C	18861E
"O" Ring	30	35744B

FAUCET STEMS



PICTURE PERFECT REPLACEMENT FAUCET STEMS FOR...

BROADWAY/UNIVERSAL RUNDLE 4Z-19 CERAMIC DISC



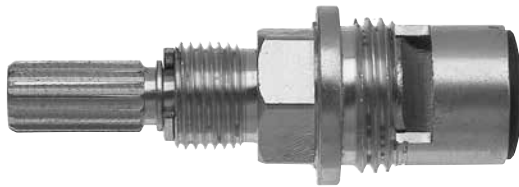
Description	ID#	Stock#
Hot Stem	4Z-19H	18727E
Cold Stem	4Z-19C	18728E
"O" Ring	30	35744B

DORNBRACHT 4Z-20 CERAMIC DISC



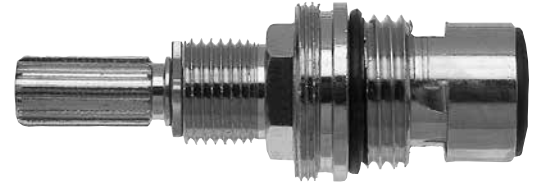
Description	ID#	Stock#
Hot Stem	4Z-20H	18729E
Cold Stem	4Z-20C	18730E
"O" Ring	30	35744B

ALTMANS, EUROPEAN 1/2"-16PT 6B-7 CERAMIC DISC



Description	ID#	Stock#
Hot Stem	6B-7H	18862E
Cold Stem	6B-7C	18863E
"O" Ring	30	35744B

NEWPORT BRASS 6B-9 CERAMIC DISC



Description	ID#	Stock#
Hot Stem	6B-9H	18755E
Cold Stem	6B-9C	18756E
"O" Ring	30	35744B

ALTMANS 6B-11 CERAMIC DISC

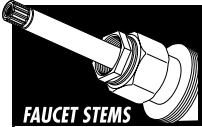


Description	ID#	Stock#
Hot Stem	6B-11H	18758E
Cold Stem	6B-11C	18759E
"O" Ring	30	35744B

KOHLER 6C-8 LAV-K-10810



Description	ID#	Stock#
Hot Stem	6C-8H	15805E
Cold Stem	6C-8C	15806E
Seat	93	30092E
Washer	00 Flat	35062B
"O" Ring	8	35725B
Gasket	38	35573B
Stem Screw	5	35142B
Handle Screw	48	35649B



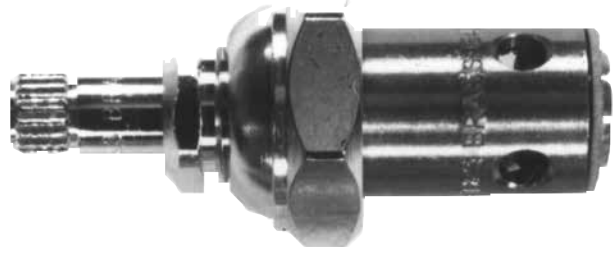
FAUCET STEMS

PICTURE PERFECT REPLACEMENT FAUCET STEMS FOR...

T&S BRASS

Pre Rinse Faucets w/ Spring check

6P-5/6



Description	ID#	Stock#
Hot Stem	6P-5H	18565E
Cold Stem	6P-5C	18566E
Hot Stem	6P-6H	18563E (with Bonnet)
Cold Stem	6P-6C	18564E (with Bonnet)
Gasket	44	35579B

CHICAGO FAUCET

CERAMIC DISC

6S-13



Description	ID#	Stock#
Hot Stem	6S-13H	16135E
Cold Stem	6S-13C	16134E

ZURN

CERAMIC DISC

6S-14



Description	ID#	Stock#
Hot Stem	6S-14H	18832E
Cold Stem	6S-14C	18833E
"O" Ring	30	35744B

T&S BRASS

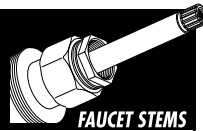
SINK B-121,B-122, B-123, B-124 (from 1968)
LAV B-850 thru B-894

6Z-3



Description	ID#	Stock#
Hot Stem	6Z-3H	17000E (with Bonnet and cap)
Cold Stem	6Z-3C	17001E (with Bonnet and cap)
Washer	0 Flat	35063B
"O" Ring	1	35721B
Gasket	45	35580B
Stem Screw	5	35142B

FAUCET STEMS



PICTURE PERFECT REPLACEMENT FAUCET STEMS FOR...

PHYLIRICH
CERAMIC DISC

7B-2



Description	ID#	Stock#
Hot Stem	7B-2H	18768E
Cold Stem	7B-2C	18769E
Gasket	18	35557B

T&S BRASS
CERAMIC DISC

7P-6



Description	ID#	Stock#
Hot Stem	7P-6H	18766E
Cold Stem	7P-6C	18767E

STERLING FAUCET
CERAMIC DISC

10S-6



Description	ID#	Stock#
Hot Stem	10S-6H	18702B
Cold Stem	10S-6C	18703B
"O" Ring	6	35723B
	30	35744B



14884

KOHLER
BATH K-6932, K-7014T

11Z-1



Description	ID#	Stock#
Diverter Stem	11Z-1D	17139B
"O" Rings	13	35730B
	5	35722B
	47	35761B
Washer	1/4L Flat	35065B

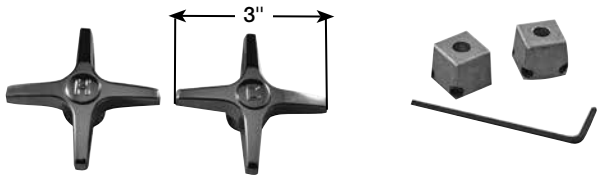


HANDLES

HANDLES

UNIVERSAL CROSS ARM HANDLES

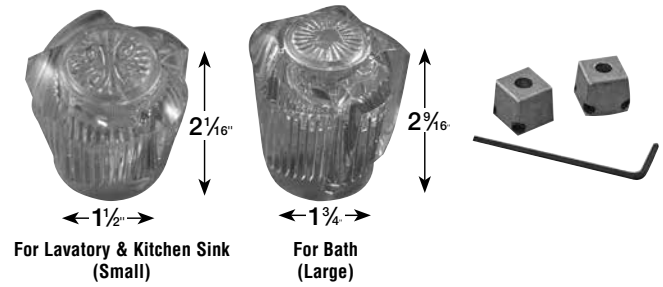
- Includes Universal Adapter



Carded With Adapter Stk. No.	Description	Overall	
		Height	Base
80835	Cross Arm Pair - Hot & Cold	3"	Tip to Tip
80836	Cross Arm Diverter	3"	Tip to Tip

UNIVERSAL ACRYLIC HANDLES

- Includes Universal Adapter



Carded With Adapter Stk. No.	Description	Overall	
		Height	Base
80846	Small Clear Acrylic Pair - Hot & Cold	2 1/16"	1 1/2"
80852	Large Clear Acrylic Pair - Hot & Cold	2 9/16"	1 3/4"
80853	Large Clear Acrylic Diverter	2 9/16"	1 3/4"

DELTA (DELEX) HANDLE

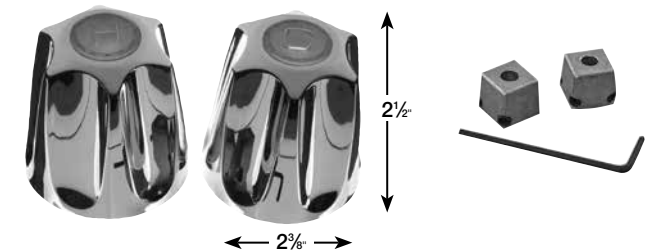
- OEM Style Clear Acrylic
- Tub/Shower



Carded Stk. No.	Description
10893	Diverter

UNIVERSAL LARGE METAL HANDLES

- Price Pfister Verve Style
- Includes Universal Adapter



Carded Stk. No.	Description
88447	Pair (Hot & Cold)
88448	Diverter

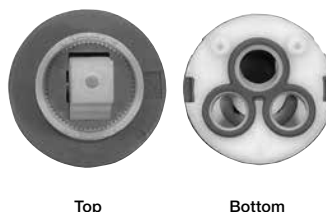
SINGLE HANDLE FAUCET REPAIRS



GE-1 CERAMIC CARTRIDGE

FOR GERBER HARDWATER SERIES FAUCETS

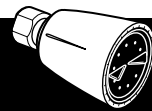
With Seal and Temperature Limit



Carded Stk. No.
18828B



TUB & SHOWER REPAIRS



TUB & SHOWER

UNIVERSAL HANDLE FLANGES

- Includes Nipple



Recessed Style

Carded

Stk. No. Description

80616	Bell Style Flange <i>Chrome</i>
80623	Recessed Style Flange <i>Chrome</i>

BATH OVERFLOW PLATE

- Chrome Plated
- Complete with Screws
- Screw Holes 2" Center-to-Center



Carded

Stk. No. Description

80766	Round Two-Hole <i>Chrome</i>
-------	------------------------------

UNIVERSAL ADJUSTABLE SHOWER ARM

- Decorative and Ergonomic
- Raise or Lower Showerhead by 10"
- Attaches to Existing Shower Arm



Carded

Stk. No. Description

10092	Swing Shower Arm <i>Chrome</i>
10093	Swing Shower Arm <i>Brush Nickel</i>

REMODEL KIT FOR DELTA 3 HANDLE

- Tub/Shower
- Complete Kit



Carded

Stk. No. Description

10886	Tub/Shower Remodel Kit <i>Chrome/Acrylic</i>
-------	--

Kit Contains:

16219B	3S-10H/C Stem	2
17450B	7S-4D Stem	1
18026B	7S-4D Extension	3
—	Seats & Springs	3
10304	Handles H/C	1 RR
10893	Handle DIV	1
10765	Flange & Tube	3

REMODEL KIT FOR DELTA 2 HANDLE

- Tub/Shower
- Complete Kit



Carded

Stk. No. Description

10887	Tub/Shower Remodel Kit <i>Chrome/Acrylic</i>
-------	--

Kit Contains:

16219B	3S-10H/C Stem	2
18026B	7S-4D Stem	2
—	Seats & Springs	2
10304	Handles H/C	1 RR
10765	Flange & Tube	2