

RV generator set Quiet Gasoline™ Series RV QG 5500



Features and benefits

- Quietest in its class.
- Exceptionally low vibration levels.
- Integrated design with enclosed muffler for easy installation.
- Self-diagnostic capability to simplify troubleshooting.
- Runs one or two air conditioners with power to spare.
- Digital voltage regulation for stability as appliance loads change.
- 3-year limited warranty, lifetime drive warranty.
- Gasoline or LP fueled.

Weight, size and sound level

Weight: 288 lbs (131 kg)

Size: Length 33.6 in (853 mm), width 22.2 in (563 mm), height 16.7 in (425 mm)

Sound: 69 dB(A) readings at 10 ft (3 m) half load

- Meets National Park Service sound level requirements (60 dB(A) @ 50 ft) for use in national parks.
- Typical installation will further reduce sound level.

Models and ratings

| Model | Fuel | Packaging | Hz | RPM | Watts | Voltage | Amps | Phase | Circuit breaker |
|---------------------------------|----------|-----------|----|------|-------|---------|------|-------|-------------------------|
| 5.5 HGJAB-1270 (1381**) | LP vapor | Tubbed | 60 | 2400 | 5500 | 120 | 45.8 | 1 | (2) 30 A |
| 5.5 HGJAB-1119 (1220**) | LP vapor | Tubbed | 60 | 2400 | 5500 | 120 | 45.8 | 1 | (1) 30 A, (1) 20 A HACR |
| 5.5 HGJAB-1038 (1049**) | Gasoline | Tubbed | 60 | 2400 | 5500 | 120 | 45.8 | 1 | (2) 30 A |
| 5.5 HGJAB-901 (912**) | Gasoline | Tubbed | 60 | 2400 | 5500 | 120 | 45.8 | 1 | (1) 30 A, (1) 20 A HACR |
| 5.5 HGJAB-6755* (7866**) | Gasoline | Tubbed | 60 | 2400 | 5500 | 120 | 45.8 | 1 | (2) 30 A, (1) 20 A HACR |
| 5.5 HGJAB-7103* (8214**) | Gasoline | Tubbed | 60 | 2400 | 5500 | 120 | 45.8 | 1 | (2) 30 A, (1) 20 A HACR |

Ambient conditions for rated power output with muffler and RV enclosure, per ISO 8528-1:

- Temperature: 77° F (25° C)
- Altitude: 500 ft (152.4 m), (99 kPa dry)

Typical power output change based on ambient conditions:

- Temperature: Power output decreases 1% for every 10° F (5.5° C) increase
- Altitude: Power output decreases 3.5% for every 1000 ft (305 m) increase

Ratings represent minimums. Actual performance may be significantly higher based on installation and operating conditions.

* Evaporative spec: Effective January 1, 2011, gasoline generator sets on trailers, diesel chassis or any other non-motorized mobile apparatus must have an EVAP generator set, approved tank, EVAP canister, hoses and fittings all meeting the CARB Tier 3 and EPA phase 3 standards and specifications. This law applies in all 50 states.

** Factory OEM packaging

Operating temperature range

| | Low | High |
|-----------------|-----------------|----------------|
| Gasoline | -20° F (-29° C) | 120° F (49° C) |
| LP | 0° F (-18° C) | 120° F (49° C) |

- Depends upon LP tank capacity, surface area and butane content of LPG.

Performance you rely on.™

Standard features

- Mechanical governor adjustable from service side
- Cummins Onan OHV engine
- Pressurized Thru Flow cooling system
- 4-point focalized mounting system with vibration isolators
- Universal mounting tray with structural capability to support the generator set in RV applications
- Integral USDA Forest Service-approved spark-arrestor muffler
- Replaceable dry element air cleaner
- Integral control box
- Instant one-touch stop switch
- Automatic choke
- Fuel filter
- Electric fuel pump (gasoline), electric fuel solenoid
- (LPG)
- Positive fuel shutoff (3 psi)
- Enclosed muffler
- Sound-attenuated housing
- Remote waterproof connector
- Automotive type starter with automatic start disconnect
- Spin-on, full-flow oil filter
- Low oil pressure protection
- Over/under speed protection
- Overcurrent protectors (see Models and ratings section)
- Low power factor field overcurrent protection
- 120 in (3 m) generator set output leads
- Digital voltage regulation

Engine details

Model: Cummins Onan OHV EH65V gasoline engine

Design: 4-cycle, OHV, 90-degree V-twin

Compression ratio: 8:1

Displacement: 39.8 in³ (653 cm³)

Maximum power: Gasoline-fueled models: 12.9 bhp (9.6 kW), LP-fueled models: 10.7 bhp (8.0 kW)

Cooling: Centrifugal blower, generator set mounted for high effectiveness, pressurized system, vertical flow

Cooling air volume: Air flow includes engine, generator set control cooling air flow

60 Hz at 500 ft³/min (14.2 m³/min)

50 Hz at 417 ft³/min (11.8 m³/min)

Fuel System: Replaceable dry element air cleaner

- (Gasoline) side-draft carburetor
- Electronic fuel pump with positive fuel shutoff (3 psi), fuel lift 3 ft (0.9 m)
- Automatic choke with vacuum pull-off
- Combustion air volume at rated load: 14.6 ft³/min (0.41 m³/min)
- (LPG) side-draft mixer with demand regulator
- Combustion air volume at rated load: 14.9 ft³/min (0.42 m³/min)

Ignition system: Electronic magneto type with resistor plugs

Starting system: Remote, 12 V, 3-wire, negative ground automotive type starter with steel pinion and ring gear, automatic start disconnect, connector for remote start cable, start-stop rocker switch mounted on set control

Lubrication: Full pressure positive displacement lube oil pump, spin-on, full flow lube oil filter, low oil pressure shutdown, dipstick

Oil capacity: 2.0 qt (1.9 L) including filter

Cylinder crankcase: Alloy aluminum with iron cylinder liners cast into the block, aluminum oil base

Cylinder head: Aluminum, OHV

Average fuel consumption

| Gasoline | No load | Half load | Full load |
|--------------|-------------------------------|-------------------------------|-------------------------------|
| 60 Hz | 0.3 Gal/h (1.1 L/h) | 0.6 Gal/h (2.3 L/h) | 0.9 Gal/h (3.6 L/h) |
| LPG | No load | Half load | Full load |
| 60 Hz | 0.4 Gal/h (1.8 lb/h) 0.8 kg/h | 0.8 Gal/h (3.3 lb/h) 1.5 kg/h | 1.1 Gal/h (4.6 lb/h) 2.1 kg/h |

Alternator details

Design: Cummins Onan revolving field, AC, 2-pole self-excited, two bearing design

Insulation system and temperature rise: Meets ANSI/RVIA EGS-1 and CSA TIL RV-06 requirements.

Cooling: Direct drive centrifugal blower. Cast aluminum housing for excellent heat transfer

Excitation: Capped, digital voltage regulation

Rotor: Laminated electrical steel assembly press-fitted to shaft, balanced. Heavy insulated copper wire windings; optimized air gap for improved waveform and motor starting

Stator: Laminated electrical steel assembly, skewed for improved waveform; heavy insulated copper wire windings

DC brushes: Electrographite; long life

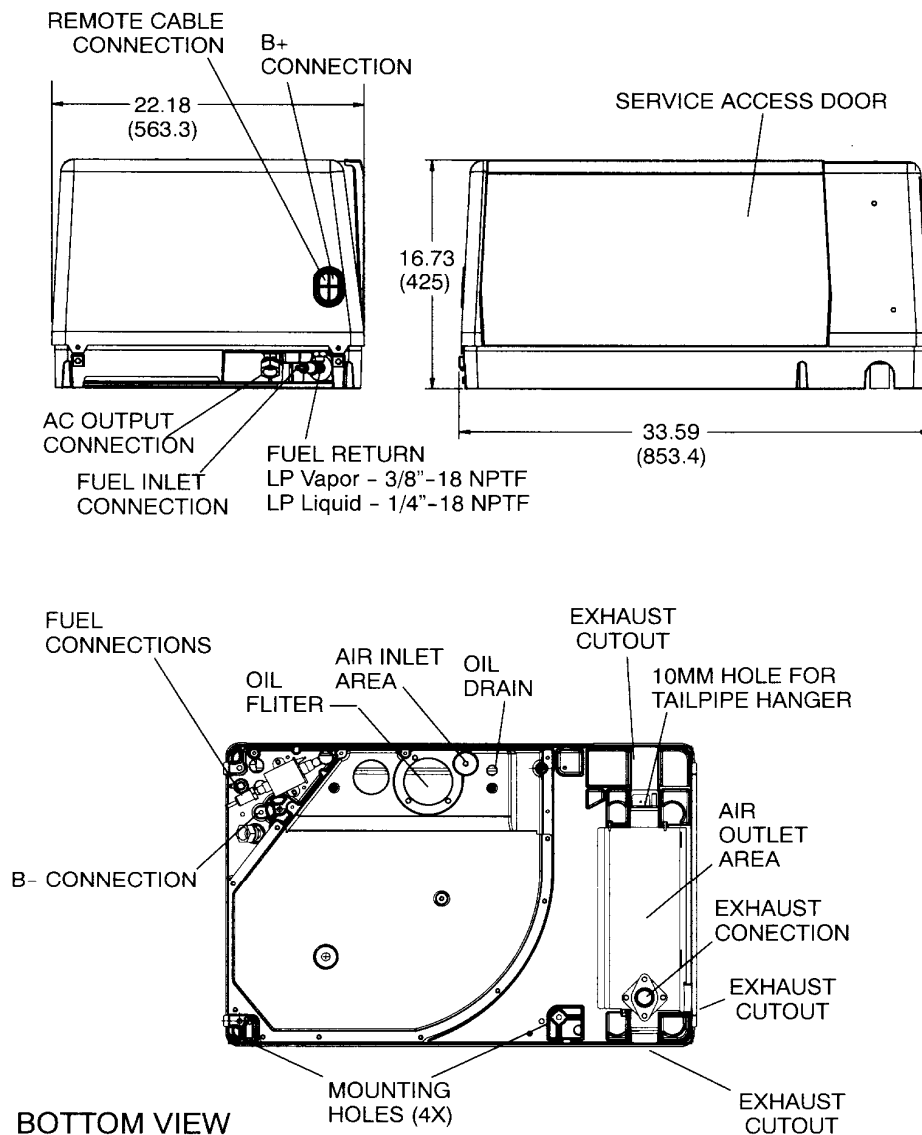
Bearing: Double-sealed, pre-lubricated ball bearing

Generator set performance

Air conditioner starting: Two 15000 Btu air conditioner with 1000 W base load at 100° F (38° C) at 500 ft (152.4 m) elevation

Frequency and voltage regulation: No load to full load, frequency <5%, voltage 1.1%

Basic dimensions



Note: This outline drawing is provided for general reference only and is not intended for design or installation. For more information see Operation and Installation manuals or obtain drawing 500-3234 and wiring diagram from your distributor/dealer.

Accessories

- Remote start/stop rocker switch (P/N 300-5331)
- Remote control with start/stop switch and running time meter (P/N 300-5332)
- Remote control w/start/stop switch and DC voltmeter (P/N 300-5333)
- Remote control plug and wire harness; 10 ft (P/N 338-3489-01), 30 ft (P/N 338-3489-02)
- Battery, 12 V, 360 cold cranking amps at 0° F (-18° C)
- LPG vapor fuel conversion kit (P/N 148-1161)
- Under floor mounting kit (P/N 405-6699)
- Installation template (P/N 539-2057)
- Tailpipe kits: 22 in (P/N 155-3481-01), 26 in (P/N 155-3481-02)
- Exhaust tube, straight with flanged end: 3 in (P/N 155-2610), 7 in (P/N 155-2424), 12.5 in (P/N 155-2610-01)
- Energy command auto generator start EC-30 (P/N 018-02030)
- Energy command remote start/stop with diagnostics EC-20 (P/N 018-02020)
- Energy command wireless start/stop EC-15W (P/N 018-02015)

Testing for RV application

- Tested at extremes of temperature -20 °F (-29 °C) to 120 °F (49 °C) for starting and operation
- Tested with RV loads, air conditioners, microwaves, converter, TVs, VCRs
- Tested installed; Cummins owned RVs used for product development testing
- Tested in high humidity conditions
- Tested in salt spray conditions
- Tested in heavy airborne dust conditions
- Field test program
- 60 Hz (120 V only) models listed by SGS United States Testing Company, Inc. per ANSI/RVIA EGS-1 and CSA-certified per Std. 100 Motors and Generators and TIL RV-06.
- This generator set was designed and manufactured in facilities certified to ISO 9001
- 60 Hz models meet applicable U.S. EPA and California emissions standards



A WARNING:
Do not use this generator set on a boat. Such use may violate U.S. Coast Guard regulations, and can result in severe personal injury or death from fire, explosion, electrocution, or carbon monoxide poisoning.

A WARNING:
Back feed to a utility system can cause electrocution and/or property damage. Do not connect to any building electrical except through an approved device or after building main breaker is open.

After sale support

Complete line of parts and accessories

Cummins Inc offers replacement and tune-up parts, accessories, oil and maintenance chemicals - all specially designed to help keep your Cummins Onan generator set running at peak performance. Cummins Inc. also provides genuine Onan Green Label Parts™ that exactly match generator set specifications and will help maximize power output and extend the life of your generator set.



Largest distributor/dealer support network

Cummins Onan generator sets are supported by the largest and best trained worldwide certified distributor/dealer network in the industry. This network of knowledgeable Cummins Onan distributor/dealers will help you select and install the right generator set and accessories to meet the requirements of your specific application. This same network offers a complete selection of commonly used generator set maintenance parts, accessories and products plus manuals and specification sheets. Plus, they can answer your questions regarding proper operation, maintenance schedules and more.

Manuals: Operation and installation manuals ship with the generator set. To obtain additional copies or other manuals for this model, see your Cummins Onan distributor/dealer and request the following manual numbers: Operation (A035D009), Installation (A035D005), Parts (983-020 I15), Service (A035D011).

Cummins Onan