

DATA INQUIRY SHEET

452X3*8XX

MACH 10

CAPACITY (NOMINAL BTUH)	Cooling/Heating Heating (1)	13,500 5,600
ELECTRICAL RATING	115 VAC, 60 HZ, 1 Phase	
COOLING FULL LOAD AMP'S AT A.R.I. STANDARD CONDITION	Compressor:	11.0
	Fan Motor:	Low – 2.2 High – 2.6
	Total:	13.2 13.6
FEATURE EQUIPMENT AMPS	Heating (1)	16
RUNNING WATTS (COOLING) A.R.I. STANDARD CONDITION (80 F. DB 67 F. WB INDOOR, 95 F. DB OUTDOOR)	1350	
RUNNING WATTS (COOLING) DESERT CONDITION (100 F. DB 72 F. WB INDOOR, 120F. DB OUTDOOR)	1625	
RUNNING WATTS (HEATING) (1)	1800	
COMPRESSOR LOCKED ROTOR AMPS	63.0	
METERING DEVICE	Capillary Tube	
REFRIGERANT CHARGE – R-410A	17.00 oz.	
EVAPORATOR AIR DELIVERY (CFM)	310 – High Speed	
GENERATOR SIZE	See “Generators” Below	
UNIT WEIGHT (POUNDS)	80 lbs. (2)	
Use time delay fuse or circuit breaker Max. rated 25 Amps, Use min. 10 AWG copper supply wires. Use time delay fuse or circuit breaker Min. rated 20 Amps, Use min. 12 AWG copper supply wires.		

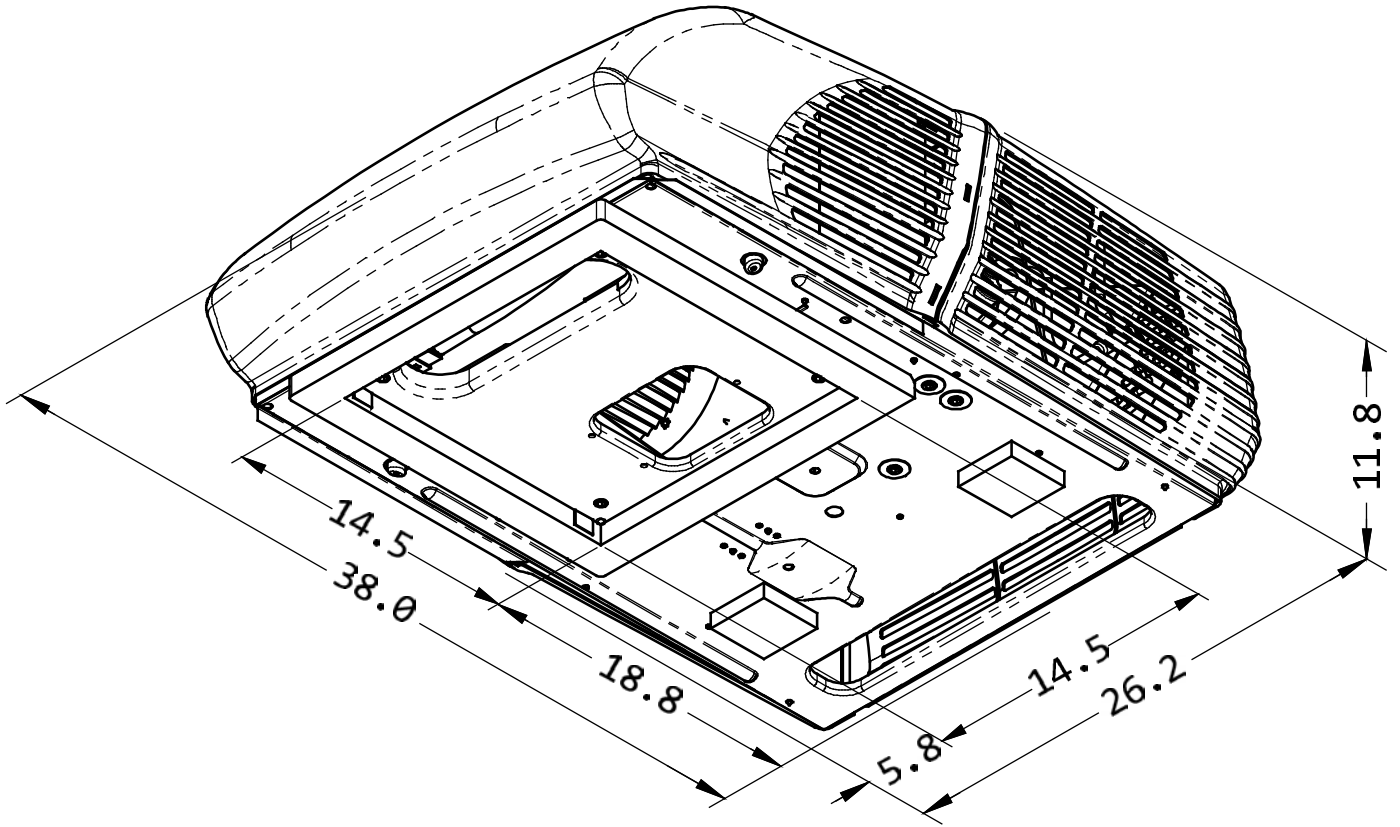
- (1) When equipped with Elect-A-Heat feature.
(2) Ceiling assemblies may add an additional 3.5 to 12.5 lbs. depending on the model number.

CEILING ASSEMBLY: Any 8330, 8430, 9330, 9430, 8530-750

GENERATORS: It is not the policy of Airxcel, Inc. to size generators for application in Recreation Vehicles or related structures. However, when sizing generators, the total electrical power consumption in Watts must be determined and taken into consideration, such as:

- A. Maximum running watts of the air conditioner at Airxcel, Inc. Desert Test (See Specifications).
- B. Power consumption of electronic ovens, toasters, coffeemakers, television sets, refrigerators, lights, etc.
- C. Generators do lose capacity under the following conditions: (1) Altitude increases above sea level, (2) Temperature increases above certain outdoor design temperatures, and (3) Lack of maintenance.

ROOFTOP UNIT DIMENSIONS



CEILING SHROUD DIMENSIONS

QUICK REFERENCE CHART	
DIMENSIONS	
EXTERIOR SHROUD	Height: 11.8"
	Width: 26.1"
	Length: 38.0"
INTERIOR SHROUD	Height: 2.2"
	Width: 19.9"
	Length: 20.1"

