



INSTALLATION MANUAL

EZ ZIPBLOCKER

Awning Accessory

The EZ Zipblocker easily mounts into the awning roll bar without tools.

SETUP

1. Open and set the awning according the manufacturer's instructions.

- *For manual awnings:* open the awning so that the open slot access is exposed below the awning arm.
- *For motorized awnings:* over extend the awning so that the empty slot of the roller tube aligns with the groove in the back of the idler head.

Tip: Leave the awning at the lowest pitch (if adjustable) to easily reach the roll bar.

2. For manual awnings: slide the pull strap down to the opposite end of the roll bar.

3. Unfold the EZ Zipblocker.

Tip: For easier installation, unzip the insert and install.

4. Slide the insert edge with the polycord into the empty slot.

5. Close the awning so that the fabric and roller tube are in the correct positions. Set the awning to the desired height following the awning manufacturer's instructions.

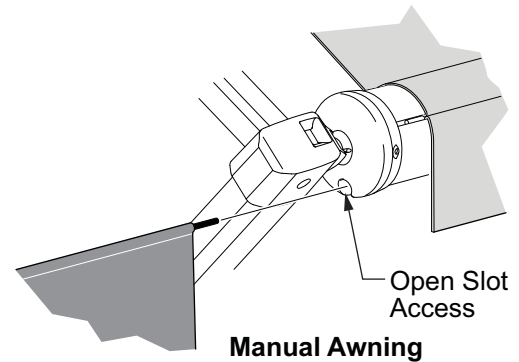
6. If separated, zip the lower portion of the EZ Zipblocker to the insert.

7. Use the supplied stakes and cord to secure the bottom of the fabric through the eyelets.

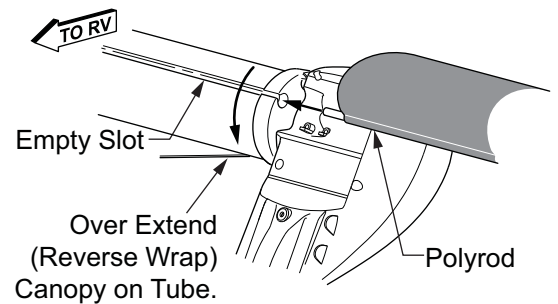
8. To take down the EZ Zipblocker:

- *For manual awnings:* Follow the above directions in reverse order.
- *For electric awnings:* Unzip the lower portion, fold and store. The zipper insert can be left in place and rolled up with the awning.

⚠ CAUTION Do not roll up the awning with the complete EZ Zipblocker in the awning. The awning may not operate correctly and damage to the awning canopy and EZ Zipblocker fabric may occur.



Manual Awning



Motorized Awning

(View Looking at Back of Idler Head)

SunBlocker001

FABRIC CARE

⚠ CAUTION Do not use oil based cleaners or any caustic, granulated, or abrasive type cleaners.

1. One of the best ways to keep the fabric looking good and to delay the need for deep or vigorous cleanings is to hose fabrics off on a monthly basis with clear water. This practice will help prevent dirt from becoming deeply imbedded in the fabric. In most environments, a thorough cleaning will be needed every two to three years.
2. When it's time for a thorough cleaning, the fabric can be cleaned while still on the awning frame. Use a soft brush and warm water with soap.
3. When cleaning the fabric, it is important to observe the following:
 - Always use a natural soap, never detergent.
 - Water should be cold to lukewarm, never more than 100°F.
 - Air-dry only. Never apply heat to the fabric.
 - Always allow the fabric to dry thoroughly before folding and storing.

Mildew

Mildew is a fungus growth that looks like dirt. Vinyl coated polyester fabrics are mildew resistant because of a chemical biocide in the vinyl coating. Under ordinary conditions, mildew will not appear. However, in areas where high temperature and humidity are common, mildew can be a problem and required the material to be washed more frequently. Thoroughly rinse the fabric with clean water and air dry completely before folding and storing.