



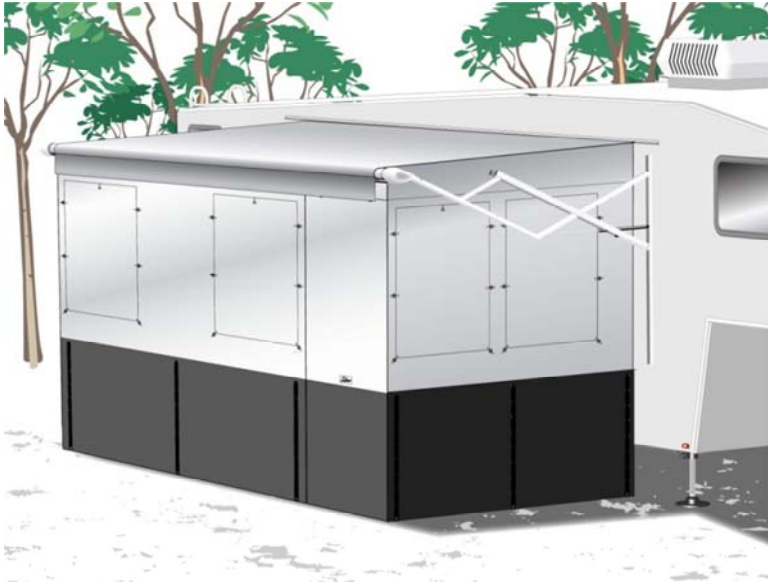
VACATION'R
A ROOM FOR VERTICAL ARM AWNINGS

RV

2015 & ON



Before operating the awning, carefully review the Owner's Manual. The manual contains important safety information, detailed operating instructions, common maintenance procedures and other useful information.



- ◆ *Made of durable, lightweight polyester material - the same material used for tents.*
- ◆ *No drilling required*
- ◆ *No rafters to install.*
- ◆ *Allows awnings with auto-dump features to function correctly. When the awning folds to release water, the room folds with the awning.*

The VACATION'R fits on the following Carefree vertical arm awnings:

Manual Awnings:

- ◆ *Spirit - Fiesta - Simplicity*
- ◆ *Pioneer*
- ◆ *Pioneer Lite*

Motorized Awnings:

- ◆ *Travel'r Fixed Flat Pitch*
- ◆ *Travel'r Fixed Steep Pitch*
- ◆ *Travel'r Adjustable Pitch*
- ◆ *Eclipse*

10' – 21' in 1 foot increments


The Vacation'r will fit most competitive brands w/ 8 foot extension. (Does not include Zip Dee awnings.)


INTRODUCTION


From its beginning in the early 70's, Carefree of Colorado has emerged as the premier manufacturer of quality awnings and accessories for Recreational Vehicles (RVs). Our full line of products can provide the accessories that match your life style; no matter what type of RV you own.


TABLE OF CONTENTS


Introduction	2
Installing the Rail Brackets	4
Room Setup	5
The Front Panels	5
Manual Awnings - Start Here.....	5
Motorized Awnings - Start Here.....	6
Hanging the Front Panels.....	6
Side Panels	7
Setting the Pitch	7
Stake the Room.....	8
Sealing Along the Vehicle Wall.....	8
The Strap Hook	9
Closing the Corners.....	9
Attaching the Skirt	10
Crossing the Entry Step.....	11
Crossing the Door	11
Storing the Room	12
Room Care	13
Fabric Care.....	13


 **WARNING** **DIRECT RESPONSE SYSTEMS:** For awnings with the Direct Response system, the auto-retract feature must be shut off. If the awning auto-retracts, personal injury as well as damage to the awning, room and vehicle can occur. Refer to the awning's owner manual for instructions.

 **WARNING** Keep all sources of heat and flame away from the room. Fabric is not fireproof and can burn if left in contact with a flame or heat source.

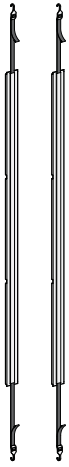
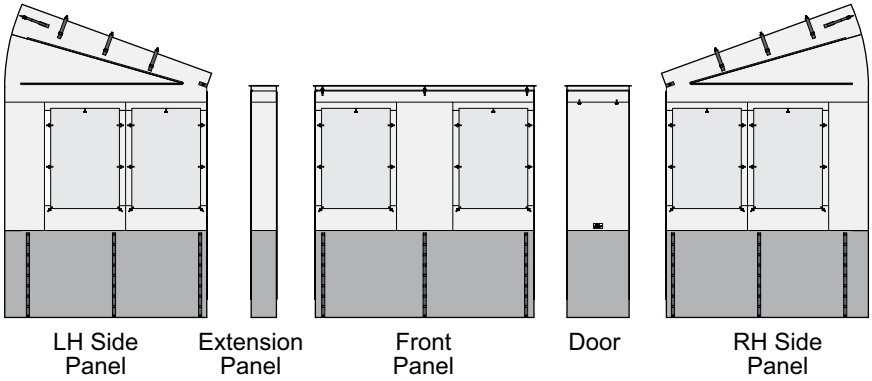
 **WARNING** Never use any gas-powered devices inside the room. Gas-powered devices consume oxygen and produce carbon monoxide that is poisonous and has no odor.

 **WARNING** Skirting must not interfere with LP appliance or exhaust vents. Do not start or operate the engine or generators if the exhaust components are located behind the skirting.

 **NOTICE** If so equipped, the automatic entry step operation must be disabled when installing and/or using the skirting.

 **NOTICE** The Vacation'r room is made with durable, quality materials for use as a temporary enclosure. The room is not intended for use as a long term or semi-permanent structure, premature fading and/or wear can occur from long term exposure to weather and/or harsh environments.

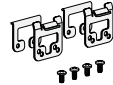
COMPONENT IDENTIFICATION



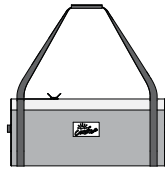
Wall Seal



Corner Panel



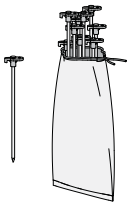
Rail Clamps



Room Bag



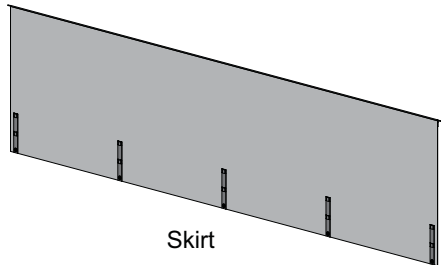
Ball Bungee



Stakes



Skirt Clip

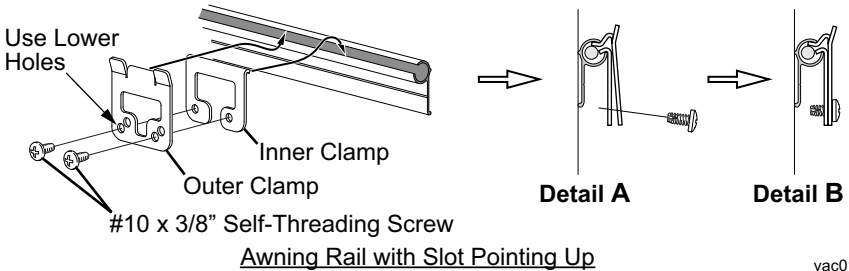
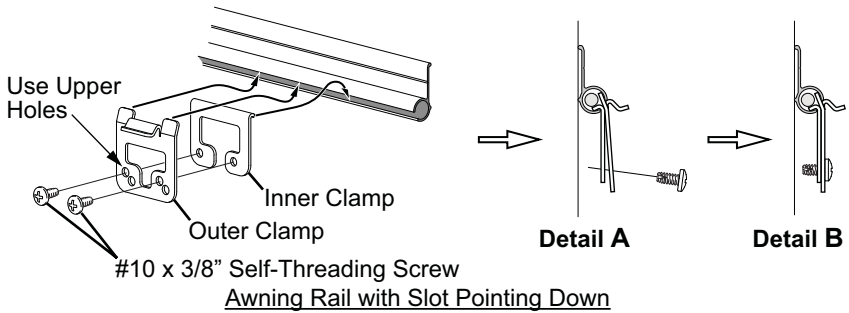


Skirt

INSTALLING THE RAIL BRACKETS

Before setting up the room, it is necessary to attach the rail brackets to the awning rail on the vehicle. These are designed to stay mounted after the first installation but can be removed for awning maintenance.

The installation requires a #2 phillips head screwdriver.



vac019

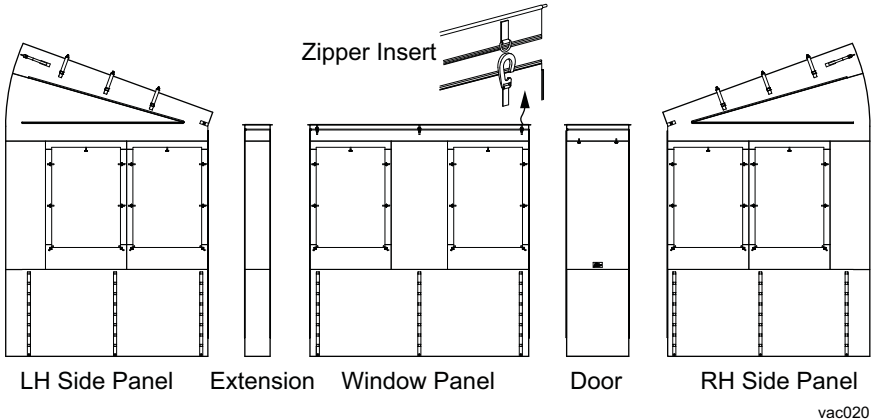
1. Hook the inner clamp half into the bottom of the awning rail.
2. Insert the outer clamp half into the top of the awning rail.
 - a. For awning rails with the slot pointing down, insert the two ears of the clamp into the awning rail as shown.
 - b. For awning rails with the slot pointing up, insert the tongue into the top of the awning rail.
3. Align the clamp halves and slide next to the awning fabric.
4. Hold the clamp halves together as shown in Detail A and start the first #10 x 3/8" self-threading screw through the outer clamp half and into the inner clamp half. Do not fully tighten the screw at this time.

NOTE: The holes will appear to not line up vertically. This is normal, the holes will self-align as the screws are tightened.
5. Start the second screw. Tighten the screw until snug, the clamp halves will be squeezed together as shown in Detail B.
6. Tighten the first screw until snug.
7. Repeat for the other side.

ROOM SETUP

THE FRONT PANELS

The front panel consists of a window panel, door panel and extension panel. These panels can be arranged with the door on the right or the left. The extension panel is included to fit the larger size of the fitting range (i.e. 13' for a 12'to13' room size) and can be placed on either end or in-between the door and window.



vac020

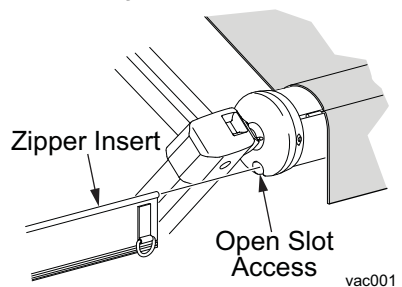
The front panel sections include a removable top piece called the zipper insert. For convenience, the zipper insert can be removed and slid into the lead rail or roller tube. Then the panel can be lifted and zipped to the insert.

On awnings that do not use a pull strap, the zipper insert can be left in the roller tube and rolled up with the awning.

MANUAL AWNINGS - START HERE

Start here for Carefree manual awnings and A&E awnings.

1. Extend the awning out according to the manufacturer's instructions. Ensure that the open roller tube slot and slot access is down and accessible on the idler (LH) side of the awning.
2. If necessary, clean and deburr the slot and slot access.
3. *For awnings with a pull strap*, slide the pull strap down to the opposite end of the roller tube.



vac001

4. Unfold the front panels. Remove the zipper inserts from the top of the panels.
5. Slide the zipper insert into the open slot of the roller tube. Ensure that the rings are facing out away from the vehicle as shown.
6. If the awning was over extended to access the slot, follow the manufacturer's instructions and retract the awning to the normal extended position.
7. Go to "Hanging the Front Panels" on page 6.

MOTORIZED AWNINGS - START HERE

1. Extend the awning out according to the manufacturer's instructions.

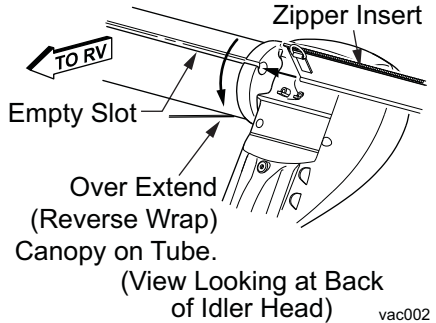
For Travel'r awnings and Eclipse awnings without Auto Retract:

- Hold the EXTEND switch until the empty slot of the tube aligns with the slot on the back of the idler (LH) head.

For Eclipse with Auto Retract:

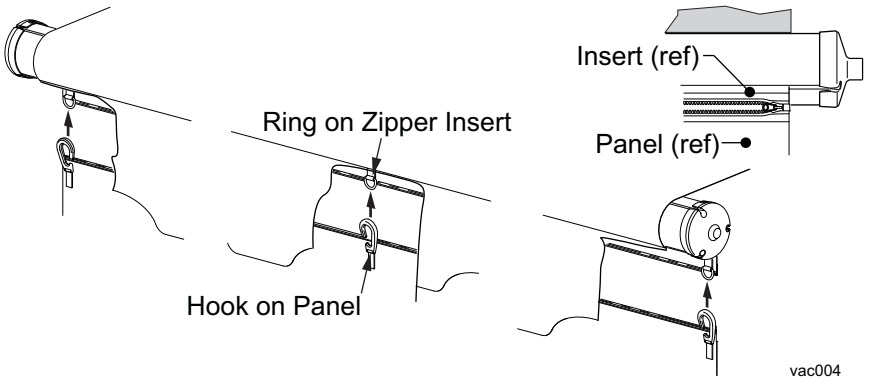
- After extending the awning, press and release the retract button. Stop the awning when the roller tube makes approximately 1/2 turn or less.
- Hold the EXTEND switch until the empty slot of the tube aligns with the slot on the back of the idler (LH) head.

2. Unfold the front panels. Remove the zipper inserts from the top of the panels.
3. Slide the zipper inserts into the open slot of the roller tube. Ensure that the rings are facing toward the vehicle as shown.
4. Using the retract switch, roll the awning up to the normal extended position. Note: When the insert is hanging down, the rings will face out away from the vehicle.



5. Go to "Hanging the Front Panels" on page 6

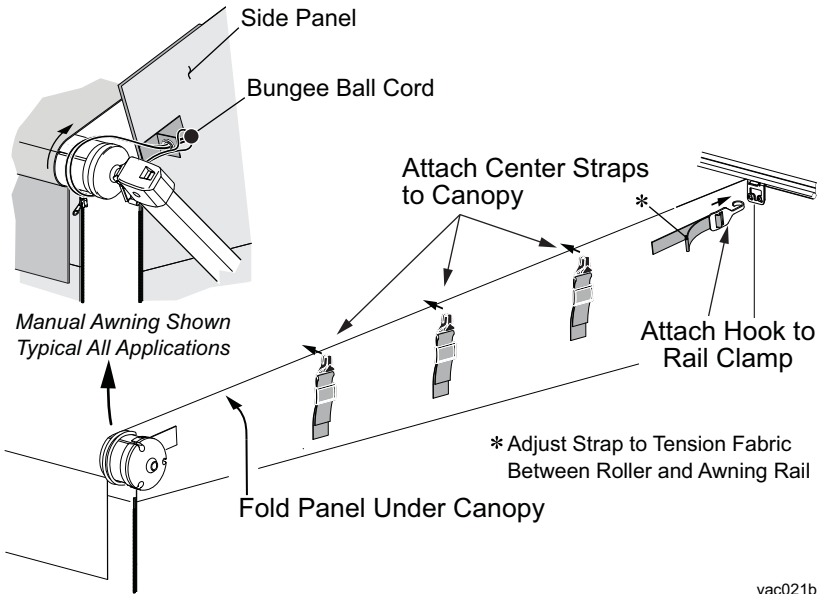
HANGING THE FRONT PANELS



Lift the individual panels up and zip to the zipper insert.

For the larger window panel, use the hooks and rings to hold the panel in place while zipping the panels.

SIDE PANELS



vac021b

1. If not previously done, insert the bungee ball through the grommet located in the front upper corner of the side panel. The cord should be inserted from the outside face of the panel.
- NOTE:** The bungee ball can be left in the panel when storing the room.
2. Lift the front corner of the side panel up and wrap the bungee under and over the roller tube. Place the loop of the bungee over the ball.
3. Lift the rear corner of the side panel up and hook the tension strap to the rail clamp.
4. Use the tension strap to tighten the fabric between the roller tube and awning rail. Refer to "The Strap Hook" on page 9 on how to tighten or loosen the strap.
5. Fold the top of the side panel under the canopy.
6. Attach the side clamps to the canopy. Adjust the straps for a snug fit.

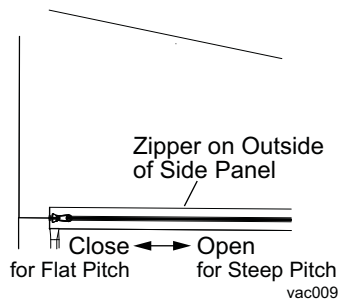
SETTING THE PITCH

The room can accommodate two different pitch settings, flat (shallow) or steep.

Locate the zippers on the outside of the side panels.

Close the zipper for flat pitch applications or open the zipper for steep pitch applications.

CAUTION OPEN AND CLOSE THE ZIPPER WITH CARE. THE SIDE WALL MATERIAL CAN BE CAUGHT AND JAM THE ZIPPER.



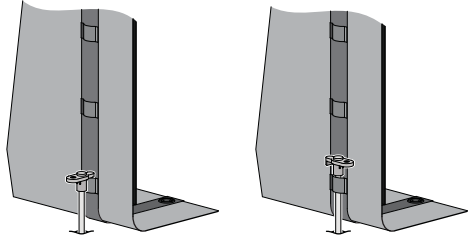
vac009

NOTE: For adjustable pitch awnings, it may be necessary to adjust the pitch of the awning so that the panels hang straight.

STAKE THE ROOM

1. At the bottom, fold the room panels inside or outside.
2. Starting at the back of the room, place a stake through the tie down loop and drive the stake into the ground.

NOTE: There are two methods for the stake to grab the loop. For short stays, use the hook of the stake to hold the loops or for longer stays or if expecting winds, place the stake through the loop.



3. Pull the panels straight and stake the front corners.
4. Stake the center tie down loops.

SEALING ALONG THE VEHICLE WALL

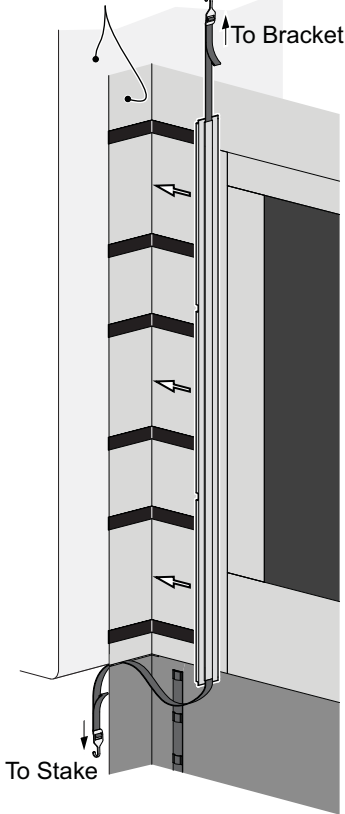
1. On the inside of the room fold the side wall along the vehicle wall.
2. Lift the seal assembly up and press into the corner of the folded fabric. The velcro¹ of the seal will attach to the velcro on the room side wall.

Tip: Fold the seal into thirds with the velcro out. Place the top third on the room wall then fold down the 2nd third and place against the wall. Unfold and place the last third.

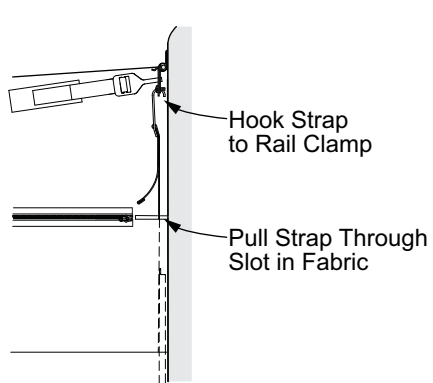
3. At the top, pull the strap through the slot in the fabric and hook the strap into the rail clamp.
4. Drive a stake slightly under the vehicle then pull the bottom strap through the slot in the fabric and hook the strap to the stake. or Hook the strap to the vehicle frame. Tighten the strap as required.
5. To tighten or loosen the strap hook refer to "The Strap Hook" on page 9.

¹ VELCRO® is the registered trade name of Velcro Industries. The term "velcro" is used to generically describe the fabric hook and loop fasteners used with the product.

Fold Panel
Along Vehicle Wall

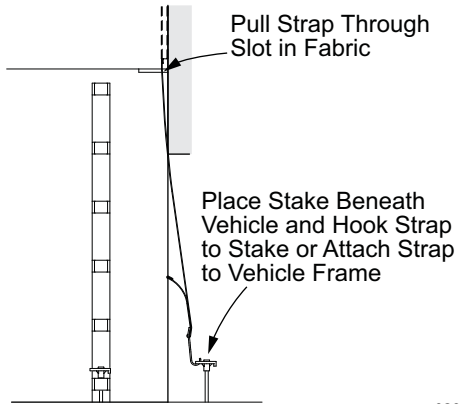


View Inside Room



Hook Strap
to Rail Clamp

Pull Strap Through
Slot in Fabric



Pull Strap Through
Slot in Fabric

Place Stake Beneath
Vehicle and Hook Strap
to Stake or Attach Strap
to Vehicle Frame

vac023

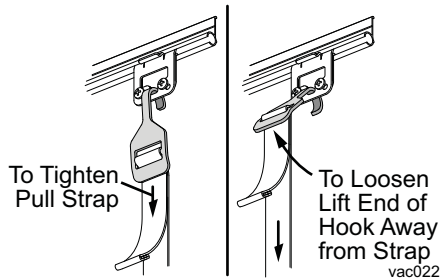
THE STRAP HOOK

The strap hook is an easy to use means of attaching, tightening and loosening the web straps used for the seals and side panel.

Keep the strap flat and straight.

To Tighten: Pull the open end of the strap away from the hook and release.

To Loosen: Lift the end of the hook away from the strap.



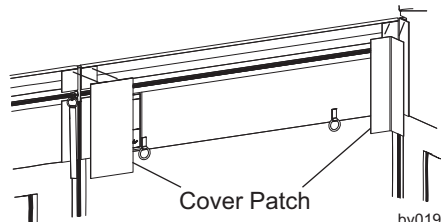
To Tighten
Pull Strap

To Loosen
Lift End of
Hook Away
from Strap

vac022

CLOSING THE CORNERS

On the inside of the room, use the supplied cover patches to close the spaces above the zippers in the corners and above where the panels come together.



Cover Patch

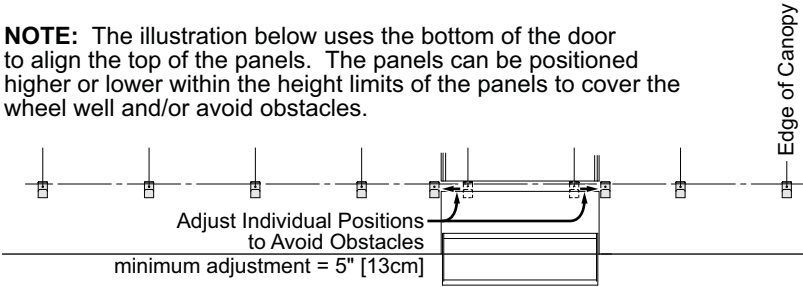
bv019

ATTACHING THE SKIRT

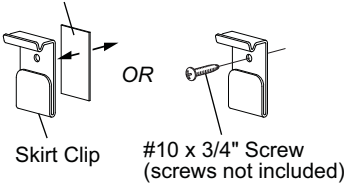
The skirt panels attach to the vehicle using the skirt clips. The clips can be attached to the vehicle wall by two different methods.

NOTE: Some vehicles may be equipped with an awning rail mounted for the skirting. Simply slide the fabric with the polyrod at top into the rail and proceed to "Crossing the Entry Step" on page 10.

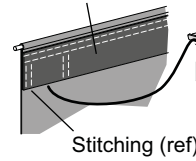
NOTE: The illustration below uses the bottom of the door to align the top of the panels. The panels can be positioned higher or lower within the height limits of the panels to cover the wheel well and/or avoid obstacles.



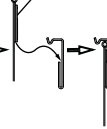
Double Sided Tape



Webbing on Back of Skirt Panel



Webbing on Back of Skirt Panel



we028

1. For first time installations, thoroughly clean the vehicle wall where the panels are to be placed. Remove all grease, dirt and wax from the area².
2. Using a non-permanent marker, mark the desired height of the skirt.
3. On one end of the skirt and place a clip into the webbing on the back of the skirt.
 - a. Remove the release paper from the tape on the back of the bracket and firmly press the bracket into position in-line with the edge of the canopy and the marks made in step 2.
 - b. Repeat down the length of the skirt.
 - c. Adjust the position of the clip in the webbing to avoid openings and obstacles on the vehicle wall.
 - d. As an alternate method of attaching the clips, Hold the clip in position and attach using one (1) #10 x 3/4" pan head screw. Screws are furnished by the individual installer and not included with room.

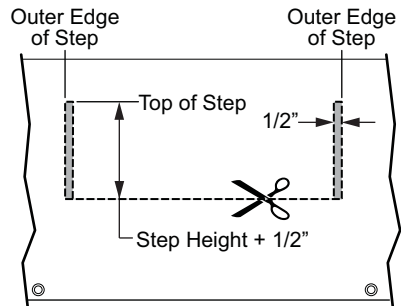
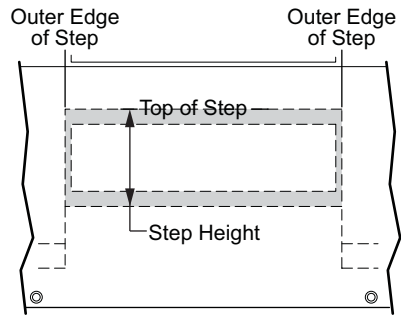
NOTE: The vinyl panel is a generic length that may be longer than your room. You may find it desirable to mark and trim any excess material that extends past the room. Be sure to trim after the box stitching so that the corners of the skirt can be attached.

² To remove wax, it is necessary to use a pre-wax cleaner or polisher. These are commercially available at automotive supply stores.

CROSSING THE ENTRY STEP

If the panel goes across the entry step:

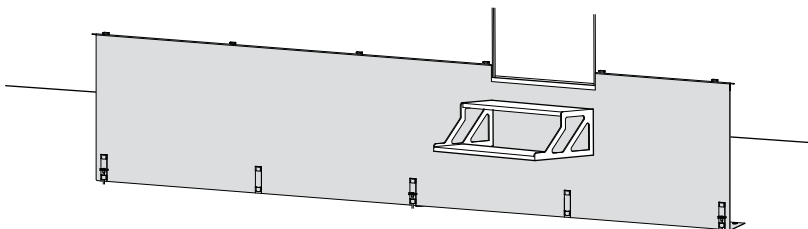
1. With the panel attached to the RV wall, carefully mark the location of the top, side edges of the step.
2. Remove the skirt from the RV and lay on a flat clean surface.
3. Measure the height of the step.
4. On the skirt, measure and cut a 1/2" slot from the marks made in step 1. the slot should be the height of the step + 1/2"
5. Draw and cut a straight line between the bottoms of the slots. This creates a flap in the fabric.
6. Slide the skirting over the step and tuck the flap behind the stair tread. Attach the skirting to the skirt clips.
7. After hanging the skirting, fold any excess material under the vehicle and stake as desired.



we005

CROSSING THE DOOR

If the skirting is mounted at the floor line or raised to avoid obstacles the skirting may cross over the door. Simply mark the sides of the door and trim the material vertically on each side. Fold the excess material behind the panel.

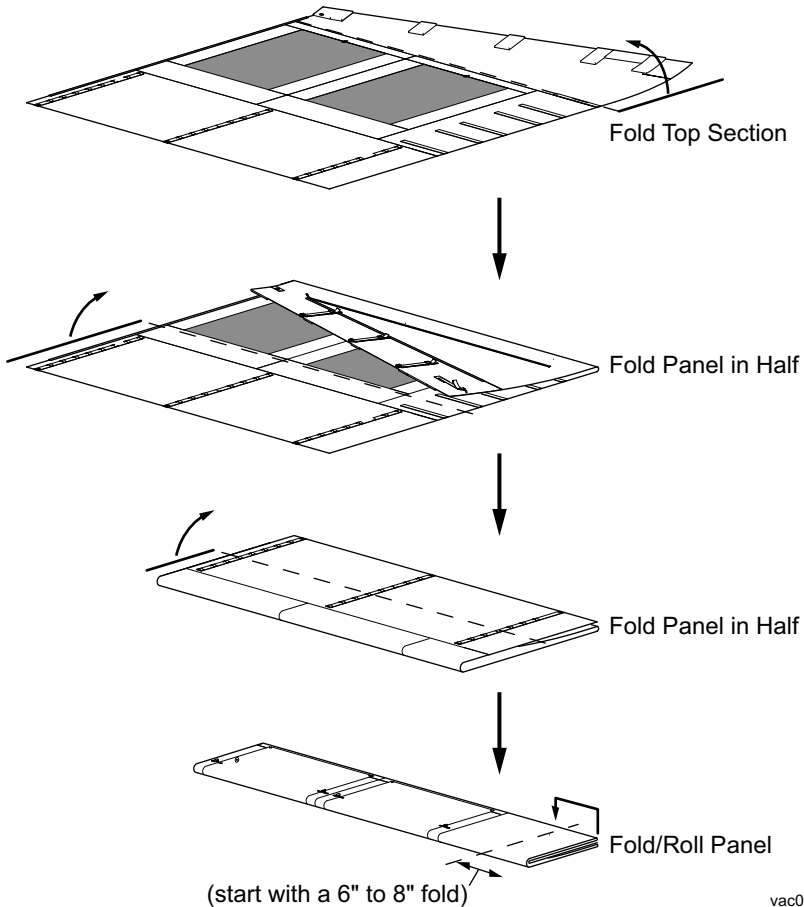


Completed Skirt

we006

STORING THE ROOM

1. Remove the stakes and store.
2. Remove the wall seals, fold in thirds and store in bag.
3. Unfasten the canopy clamps, bungees and the strap hooks.
4. For manual awnings: Slide the front panel section and zipper insert out of the roller tube. Position the awning pull strap in the center of the roller tube.
5. For motorized awnings: Unzip the front panel section from the zipper insert. The zipper insert can be left in the roller tube for storage.
6. Lay the room out flat with the privacy panels down. Fold the room as shown and pack in the bag.



vac025

ROOM CARE

Maintaining a Carefree Room is easy. Just follow these basic steps:

- Always use the room according to the instructions.
- Keep the awning fabric and arms clean.

FABRIC CARE

NOTICE Do not use oil based cleaners or any caustic, granulated, or abrasive type cleaners on your Carefree product.

1. One of the best ways to keep the fabric looking good and to delay the need for deep or vigorous cleanings is to hose fabrics off on a monthly basis with clear water. This practice will help prevent dirt from becoming deeply imbedded in the fabric. In most environments, a thorough cleaning will be needed every two to three years.
2. When it is time for a thorough cleaning, the fabric can be cleaned while still on the awning frame. Use a soft brush and warm water with soap.
3. When cleaning the fabric, it is important to observe the following:
 - Always use a natural soap, never detergent.
 - Water should be cold to lukewarm, never more than 100°F.
 - Air-dry only. Never apply heat to the fabric.
 - Always allow the fabric to dry thoroughly before storing the room.

MILDEW

Mildew is a fungus growth that looks like dirt. Under ordinary conditions, mildew will not appear. However, in areas where high temperature and humidity are common, mildew can be a problem and require the material to be washed more frequently. Thoroughly rinse the fabric with clean water and allow to air dry completely before storing the room.








- ◆ ***Made of durable, lightweight polyester material - the same material used for tents.***
- ◆ ***Does not require hardware that is attached to the RV.***
- ◆ ***No rafters to install.***
- ◆ ***Allows awnings with auto-dump features to function correctly. When the awning folds to release water, the room folds with the awning.***

INTRODUCTION

From its beginning in the early 70's, Carefree of Colorado has emerged as the premier manufacturer of quality awnings and accessories for Recreational Vehicles (RVs). Our full line of products can provide the accessories that match your life style; no matter what type of RV you own.

Check with your dealer to discover the products that can make your life more Carefree.

WARNINGS

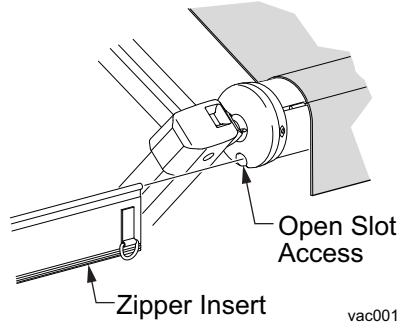
-  **DIRECT RESPONSE SYSTEMS:** FOR AWNING WITH THE DIRECT RESPONSE AUTO-RETRACT, THE AUTO-RETRACT FEATURE MUST BE SHUT OFF. IF THE AWNING AUTO-RETRACTS, DAMAGE TO THE AWNING, ROOM AND VEHICLE CAN OCCUR AS WELL AS PERSONAL INJURY. REFER TO THE AWNING OWNER'S MANUAL FOR INSTRUCTIONS.
 -  **KEEP ALL SOURCES OF HEAT AND FLAME AWAY FROM THE ROOM. FABRIC IS NOT FIREPROOF AND CAN BURN IF LEFT IN CONTACT WITH ANY FLAME OR HEAT SOURCE.**
 -  **NEVER USE ANY GAS-POWERED DEVICES INSIDE THE ROOM. GAS-POWERED DEVICES CONSUME OXYGEN AND PRODUCE CARBON MONOXIDE THAT IS POISONOUS AND HAS NO ODOR.**
 -  **SKIRTING MUST NOT INTERFERE WITH LP APPLIANCE OR EXHAUST VENTS. DO NOT START OR OPERATE THE ENGINE OR GENERATORS IF THE EXHAUST COMPONENTS ARE LOCATED BEHIND THE SKIRTING.**
-
-  **CAUTION:** If so equipped, the automatic entry step operation must be disabled when installing and/or using the skirting.

ROOM SETUP

MANUAL AWNINGS - START HERE

Start here for Carefree manual awnings and A&E awnings.

1. Extend the awning out according to the manufacturer's instructions. Ensure that the open roller tube slot and slot access is down and accessible on the idler (LH) side of the awning.
2. If necessary, clean and deburr the slot and slot access.
3. *For awnings with a pull strap*, slide the pull strap down to the opposite end of the roller tube.
4. Unfold the room. If attached, remove the zipper insert from the top of the front panel portion of the room.
5. Slide the zipper insert into the open slot of the roller tube. Ensure that the rings are facing out away from the vehicle as shown.
6. Go to "Installing the Room" on page 4.

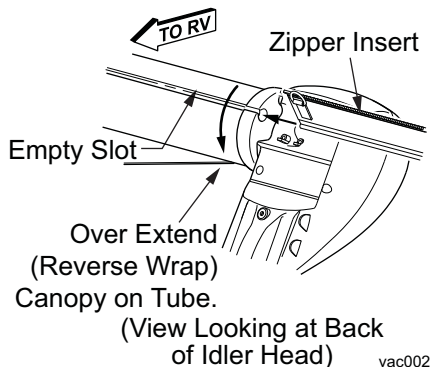


vac001

MOTORIZED AWNINGS - START HERE

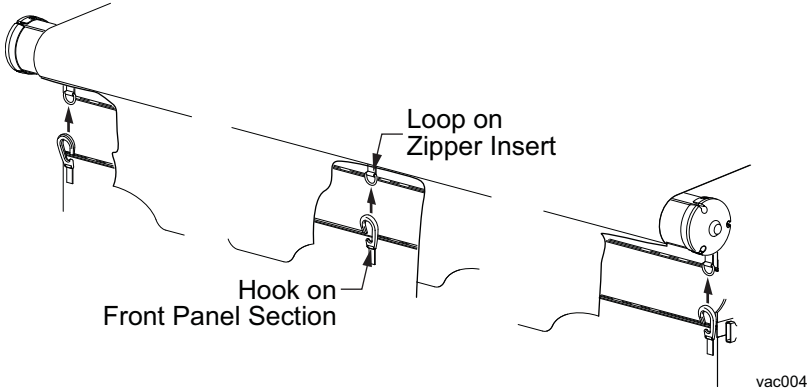
Start here for Carefree motorized awnings.

1. Extend the awning out according to the manufacturer's instructions.
 - For Travel'r series awnings and Eclipse awnings without Auto Retract:
 - Hold the EXTEND switch until the empty slot of the tube aligns with the slot on the back of the idler (LH) head.
 - For Eclipse with Auto Retract:
 - After extending the awning, press and release the retract button. Stop the awning when the roller tube makes approximately 1/2 turn or less.
 - Hold the EXTEND switch until the empty slot of the tube aligns with the slot on the back of the idler (LH) head.
2. Unfold the room. If attached, remove the zipper insert from the top of the front panel portion of the room.
3. Slide the zipper insert into the open slot of the roller tube. Ensure that the rings are facing toward the vehicle as shown.
4. Using the retract switch, roll the awning up to the normal extended position. Note: When the insert is hanging down, the rings will face out away from the vehicle.
5. Go to "Installing the Room" on page 4.

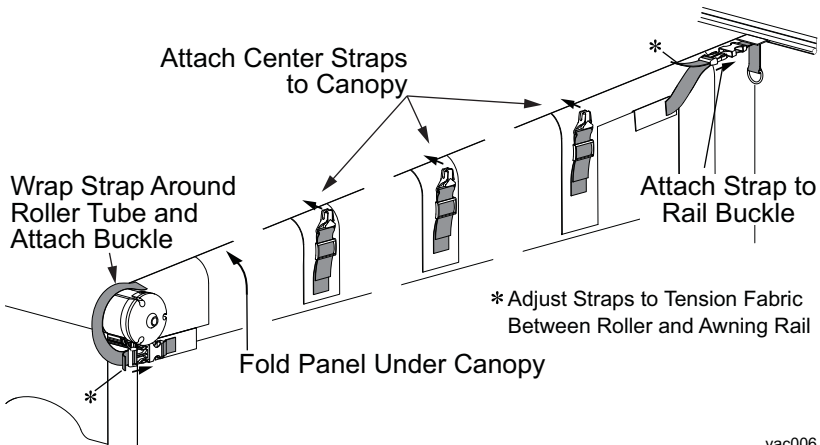
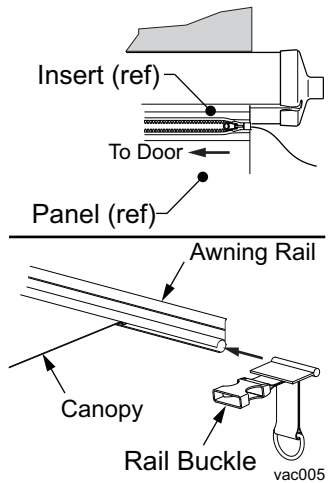


vac002

INSTALLING THE ROOM



1. Lift the front panel section up. The door goes on the right side with the privacy panels facing out away from the coach.
2. Temporarily hook the front panel to the zipper insert.
3. Zip the panel to the insert. The zipper starts on the end opposite the door.
4. Slide the rail buckles into the awning rail and up next to the canopy on both sides.
5. Lift the side panel section up and attach the buckle on the panel to the rail buckle.
6. At the roller tube, wrap the long strap around the roller tube and attach the buckles.
7. Using the straps on the buckles (steps 5 and 6) adjust the strap length to tension the fabric between the roller tube and awning rail.
8. Fold the top of the side panel under the canopy.
9. Attach the side strap clamps to the canopy.



SETTING THE PITCH

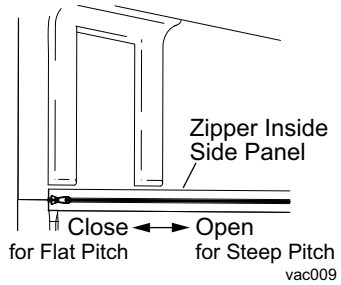
The room can accommodate two different pitch settings, flat (shallow) or steep.

Locate the zippers on the inside of the side panels.

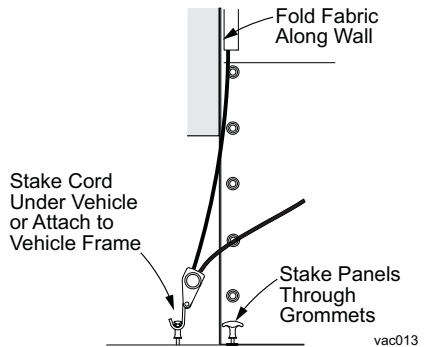
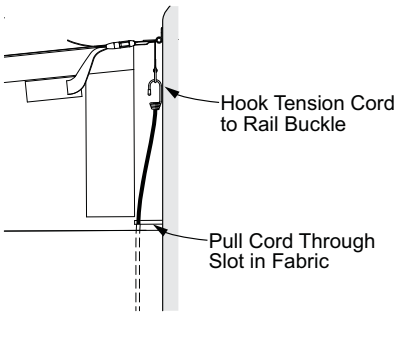
Close the zipper for flat pitch applications or open the zipper for steep pitch applications.

CAUTION OPEN AND CLOSE THE ZIPPER WITH CARE. THE SIDE WALL MATERIAL CAN BE CAUGHT AND JAM THE ZIPPER.

NOTE: For adjustable pitch awnings, it may be necessary to adjust the pitch of the awning so that the panels hang straight.



STAKE AND SEAL THE ROOM



1. At the top, Slip the tension cord through the slot in the fabric and hook to the ring on the rail buckle.
2. Fold the fabric along the vehicle wall.
3. Drive a stake slightly under the vehicle then hook the bottom of the tension cord to the stake. or Hook the cord to the vehicle frame. Tighten the cord as required.
4. Fold the bottom of the front and side panels and stake using the grommets.

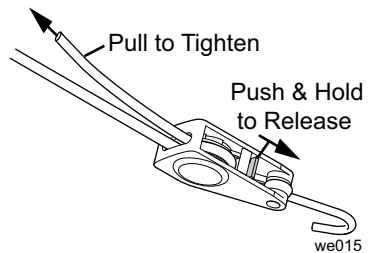
SIDE PANEL TENSION CORD

The Vacation'r is shipped with a tensioning cord installed in each side panel. The top of the cord has a standard hook that attaches to the ring on the rail buckle.

The bottom of the cord has a ratchet tie-down that attaches to a stake or the vehicle frame.

To use the ratchet tie-down:

- After placing the hooks, simply pull the open end of the cord. The cord stays in place until released.
- To release: Press and hold the thumb latch. The cord will be loose and can be pulled away from the tie-down.

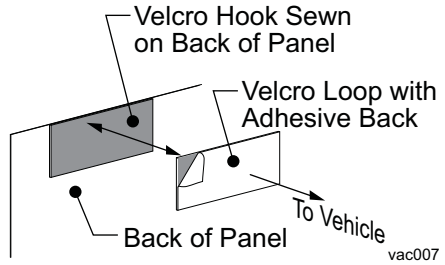


ATTACHING THE SKIRT

The modular skirt panels attach to the vehicle with velcro strips¹. The velcro "loop" half is adhered to the vehicle wall.

For first time installations, thoroughly clean the vehicle wall where the panels are to be placed. Remove all grease, dirt and wax from the area².

Remove the release paper from the back of the velcro pads.

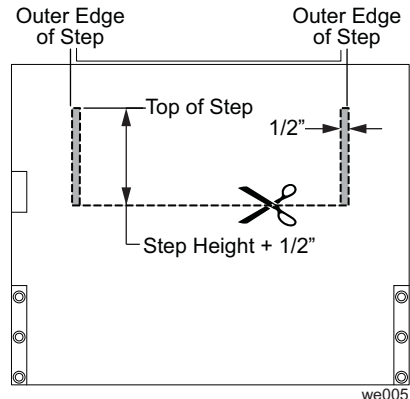
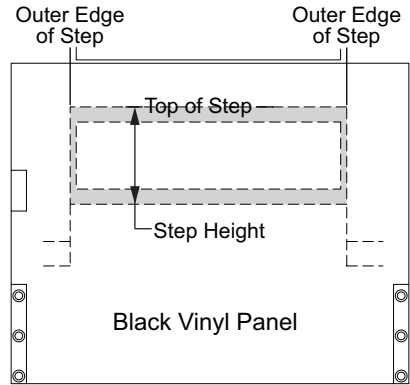


Position the panel and press the velcro against the wall. Allow the adhesive to set 24 hours for a complete bond. The illustrations below use the bottom of the door to align the top of the panels. The panels can be positioned higher or lower within the height limits of the panels.

DOOR/STEP SKIRT

If the skirting goes across the entry step, use the vinyl panel at the door.

1. Center the panel below the door. Attach the velcro to the vehicle.
2. With the panel attached to the RV wall, carefully mark the location of the top, side edges of the step.
3. Remove the skirt from the RV and lay on a flat clean surface.
4. Measure the height of the step.
5. On the skirt, measure and cut a 1/2" slot from the marks made in step 1. the slot should be the height of the step + 1/2"
6. Draw and cut a straight line between the bottoms of the slots. This creates a flap in the fabric.
7. Slide the skirting over the step and tuck the flap behind the stair tread. Attach the skirting to the velcro.



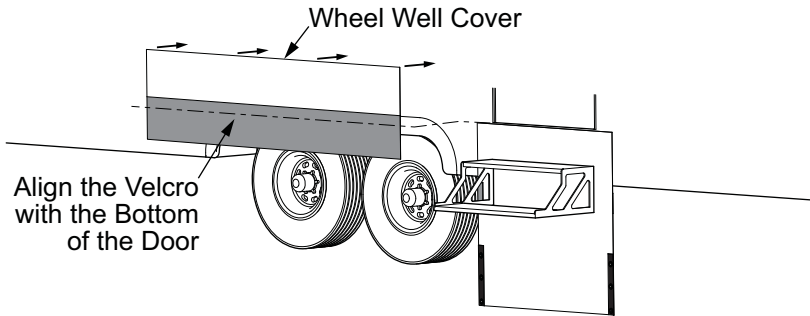
¹ VELCRO® is the registered trade name of Velcro Industries. The term "velcro" is used to generically describe the fabric hook and loop fasteners used with the product.

² To remove wax, it is necessary to use a pre-wax cleaner or polisher. These are commercially available at automotive supply stores and automotive detailer shops.

WHEEL WELL SKIRT

If the skirting crosses the wheel well and the well extends above the top of the skirting, use the long, narrow wheel well skirt

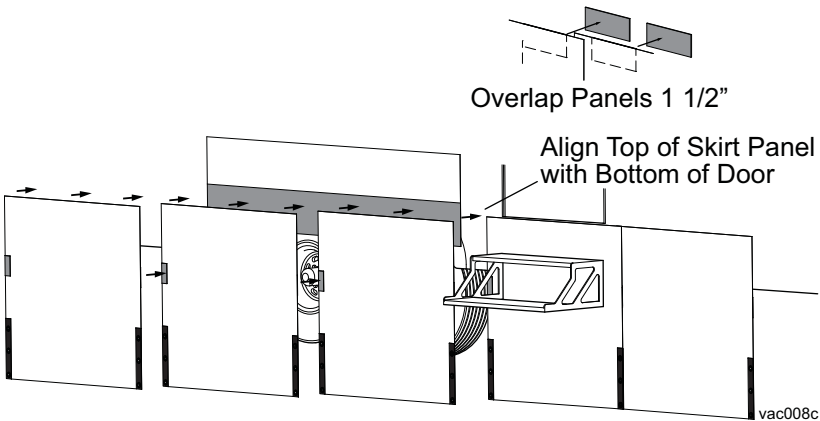
1. Center wheel well skirt over the wheel(s). Align the lower velcro material with the bottom of the door. Attach the velcro to the vehicle wall.



vac008

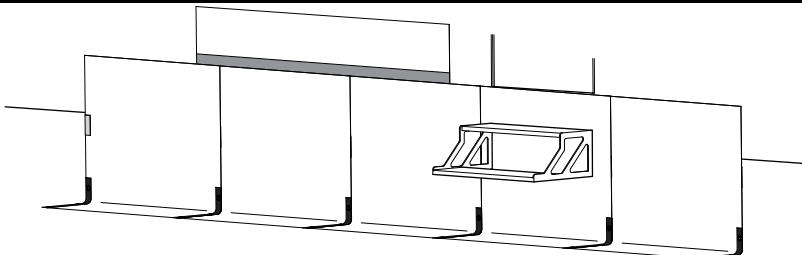
SKIRT PANEL

NOTE: For panels that cross the wheel well cover, remove the loop pad from the skirt. The material at the bottom of the wheel well panel has a velcro acceptable nap to hold the panel velcro hook.



vac008c

1. Starting at the stair, position a skirt panel and attach the velcro.
2. Continue placing panels along the length of the awning. Please note that the panels are designed to overlap approximately 1 1/2".

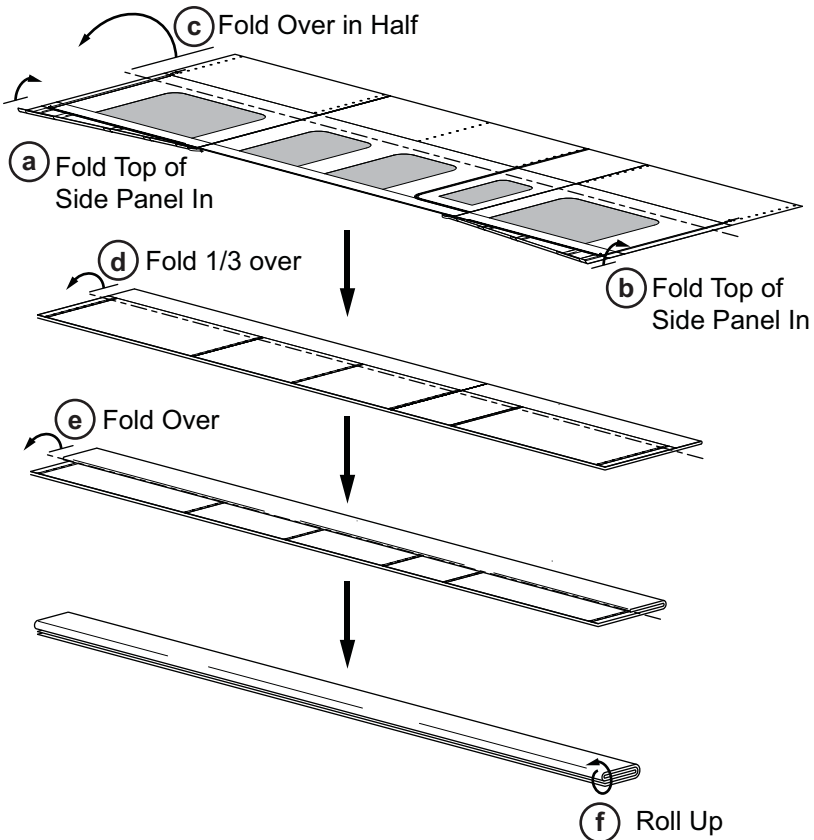


Completed Skirts

vac008d

STORING THE ROOM

1. Remove the stakes and store.
2. Unfasten all buckles and clamps.
3. Remove and store the rail buckles.
4. For manual awnings: Slide the front panel section and zipper insert out of the roller tube. Position the awning pull strap in the center of the roller tube.
5. For motorized awnings: Unzip the front panel section from the zipper insert. The zipper insert can be left in the roller tube for storage.
6. Lay the room out flat with the privacy panels down. Fold the room as shown and pack in the bag.



ROOM CARE

Maintaining a Carefree Room is easy. Just follow these basic steps:

- Always use the room according to the instructions.
- Keep the awning fabric and arms clean.

FABRIC CARE

CAUTION

DO NOT USE OIL BASED CLEANERS OR ANY CAUSTIC, GRANULATED, OR ABRASIVE TYPE CLEANERS ON YOUR CAREFREE PRODUCT.

1. One of the best ways to keep the fabric looking good and to delay the need for deep or vigorous cleanings is to hose fabrics off on a monthly basis with clear water. This practice will help prevent dirt from becoming deeply imbedded in the fabric. In most environments, a thorough cleaning will be needed every two to three years.
2. When it is time for a thorough cleaning, the fabric can be cleaned while still on the awning frame. Use a soft brush and warm water with soap.
3. When cleaning the fabric, it is important to observe the following:
 - Always use a natural soap, never detergent.
 - Water should be cold to lukewarm, never more than 100°F.
 - Air-dry only. Never apply heat to the fabric.
 - Always allow the fabric to dry thoroughly before storing the room.

MILDEW

Mildew is a fungus growth that looks like dirt. Under ordinary conditions, mildew will not appear. However, in areas where high temperature and humidity are common, mildew can be a problem and require the material to be washed more frequently. Thoroughly rinse the fabric with clean water and allow to air dry completely before storing the room.

APPLICATIONS CHART

The VACATION'R fits on the following Carefree vertical arm awnings:*

Manual Awnings:

- ◆ *Spirit - Fiesta - Simplicity*
- ◆ *Pioneer*

Motorized Awnings:

- ◆ *Travel'r Fixed Flat Pitch*
- ◆ *Travel'r Fixed Steep Pitch*
- ◆ *Travel'r Adjustable Pitch*
- ◆ *Eclipse*

* Awnings with vinyl canopies. Room does not fit awnings with acrylic fabric and Uniguard.

*The VACATION'R fits on the following A & E vertical arm awnings**:*

Manual Awnings:

- ◆ *8300*

Motorized Awnings:

- ◆ *Weather Pro*
- ◆ *9100 Power Awning*

** Room has not been tested on A & E awnings that are not listed.