



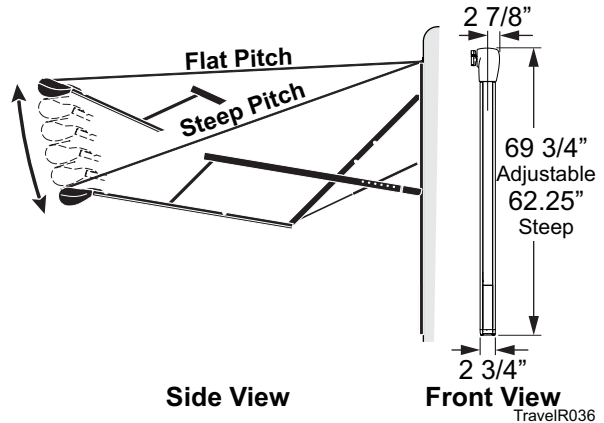
Quality • Value
Performance • Style

SPECIFICATION SHEET

TRAVEL'R

Vertical Arm Motorized Awning

The Travel'r provides motorized awning comfort with Carefree's standards for style, performance and quality. It is the successful blend of style, quality and economy.



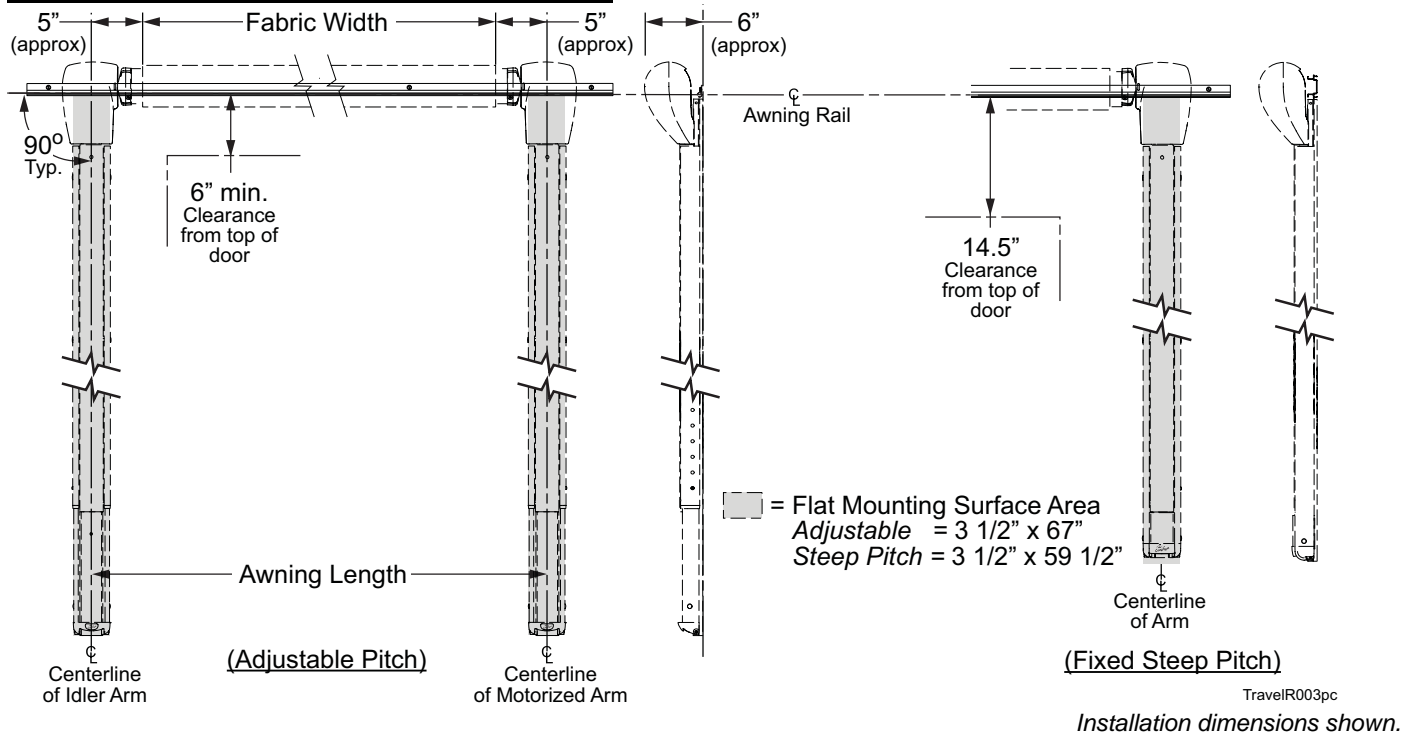
Component dimensions shown.

- The unique "scissor" style arms provide maximum strength, stability and ease of operation.
- Worm gear style motor is billow proof - eliminates the need for travel locks.
- Available in 2 styles: Fixed Steep Pitch Adjustable Pitch
- The Adjustable Pitch Travel'r has easy to use 6-position pitch adjustment.
- Can be installed using a single switch control or with the Direct Response™ electronic system.

SPECIFICATIONS

LENGTH	12' - 21' [366 - 640cm]	
EXTENSION:	8' [244cm]	Drop @ Flat Pitch: 12" [30.5cm] Drop @ Steep Pitch: 36" [91cm]
<i>Values are approximate, actual dimensions may vary with specific installations.</i>		
EXTENSION TIME:	28 Seconds (approx)	RETRACT TIME: 32 Seconds (approx)
POWER REQUIREMENTS:	12VDC (operating range 10VDC to 14VDC) Circuit Rating: 15 amp	
POWER SOURCE:	Motor and controls are routed and hardwired into the vehicle's 12V system	
EMERGENCY RETRACT:	Electrical override system (external power source)	
COLOR:	<i>Hardware:</i>	White or Black
	<i>Fabric:</i>	Vinyl, Polyweave or Acrylic Fabric
	<i>Fabric Wrap:</i>	Weatherguard (vinyl only), FLXguard, Alumaguard or Uniguard
OPTIONS:	◆ Direct Response Electronic Package available as an upgrade kit	
	◆ Available as a complete awning or as an upgrade to existing Carefree or A&E awnings with an 8' extension. If upgrading an A&E with a steel roller tube it is also necessary to replace the roller tube with a Carefree aluminum roller tube.	
	◆ An optional Rail Extension Kit available for Mesa & Yoder sidewalls.	
	◆ Optional factory installed LED lighting available. LED strip mounts on roller tube. Wiring is routed through the canopy hem.	

MEASURING, INSTALLATION AND ORDERING TIPS



- Awning is measured center of arm to center of arm.
 - At the awning rail the canopy is 10" shorter than stated awning size. At the roller tube, tapered canopies are 15" shorter than stated awning size.
 - Roller tube is 7" shorter than stated awning size.
 - Alumaguard is 9" shorter than stated awning size.
 - Uniguard is 7" shorter than stated awning size.
 - Arm sets require a flat unobstructed area (see illustration).
 - **Door Clearance Note:**
 The minimum distance from the top of the door to the awning rail:

	<u>Flat Pitch</u>	<u>Steep Pitch</u>	<u>Adjustable</u>
Square Corner Doors:	7"	15.5"	Height is dependent on expected pitch settings. If in doubt, use the steep pitch values.
Radius Doors:	6"	14.5"	
 - **12V Hardwired:** Must be wired into a 12V source inside of the RV. It is recommended that the awning be wired to a dedicated 15amp circuit. Switch is mounted inside.
 - Refer to the installation and operations manual.
 - All orders are custom and Non-Returnable.
- SHIPPING:**
- Cannot be shipped UPS. Applicable freight charges apply.