

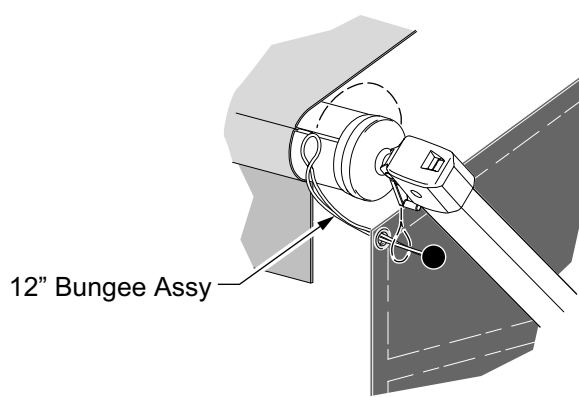
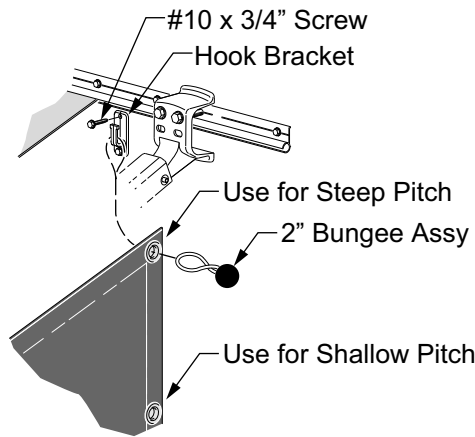


INSTALLATION MANUAL

SIDEBLOCKER

RV Accessory

The SideBlocker may be mounted on the left or right side of the awning.



SideBlocker001a

SETUP

1. Open and set the awning according to the manufacturer's instructions.
2. *For first time setup:*
 - Position the hook bracket below the awning rail and centered between the canopy and the awning's upper arm bracket.
 - Using the bracket as a guide, mark and drill two (2) 1/8" pilot holes. Use care to not drill through the inside wall of the vehicle.
 - Coat the holes and back of the bracket with silicone sealant. Then attach the bracket with the #10 x 3/4 screws provided.
 - Repeat step 2 and mount the second bracket on the opposite side of the awning.
3. Unfold the fabric.
4. Slide the short (2") bungee assembly through an eyelet at the top of the panel. The upper eyelet is for awnings set at a steep pitch the lower grommet is for awnings set with a shallow pitch.
5. Using the awning pull cane (not included), lift the SideBlocker up and hook the bungee loop over the hook bracket.
6. Lift the front edge of the fabric up and thread the long (12") bungee assembly through the grommet.
7. Loop the bungee over the roll bar and around the bungee assembly ball.
8. Use the supplied stakes and cord to secure the bottom of the fabric through the eyelets.

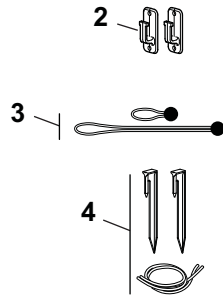
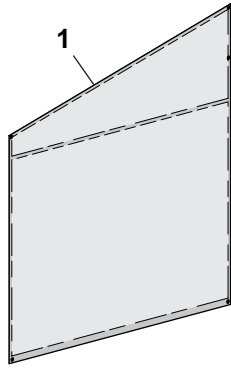
FABRIC CARE

⚠ CAUTION

DO NOT USE OIL BASED CLEANERS OR ANY CAUSTIC, GRANULATED, OR ABRASIVE TYPE CLEANERS.

1. One of the best ways to keep the fabric looking good and to delay the need for deep or vigorous cleanings is to hose fabrics off on a monthly basis with clear water. This practice will help prevent dirt from becoming deeply imbedded in the fabric. In most environments, a thorough cleaning will be needed every two to three years.
2. When it's time for a thorough cleaning, the fabric can be cleaned while hanging. Use a soft brush and warm water with soap.
3. When cleaning the fabric, it is important to observe the following:
 - Always use a natural soap, never detergent.
 - Water should be cold to lukewarm, never more than 100°F.
 - Air-dry only. Never apply heat to the fabric.
 - Always allow the fabric to dry thoroughly before folding and storing.

ILLUSTRATED PARTS LIST



SideBlocker501a

| <i>Item</i> | <i>Part Number</i> | <i>Description</i> | <i>Qty</i> |
|-------------|------------------------|--|------------|
| 1 | 8800XX02 | SideBlocker Assy | 1 |
| 2 | 901044W | Hook Bracket | 2 |
| 3 | R001363 | Bungee Set (includes 1-2" and 1-12" bungee) | 1 |
| 4 | R001354 R012734-001 | Rope and Stake Kit Hardware Pack (includes items 2, 3 & 4) | 1 |

Notes: 1. XX = Color