



CAREFREE

SIDEOUT KOVER II

ADDED PROTECTION FOR SLIDE-OUT ROOMS

Installation



SOKII Shown with Full Case Option

TABLE OF CONTENTS

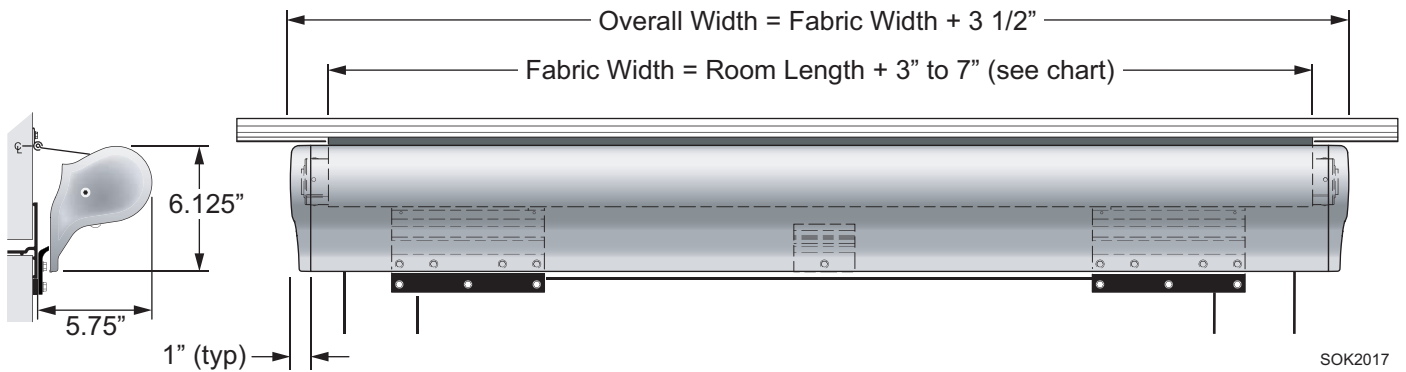
Introduction	2
Product Overview	2
Component Checklist.....	3
Installation	4
Install the Universal Mounting Brackets.....	4
Installing an awning rail (if required).....	4
Installing the Roll Bar Assembly	5
Installing the Optional Deflector or Full Case	6
Maintenance.....	7
Fabric Care	7
Pooling.....	7

INTRODUCTION

PRODUCT OVERVIEW

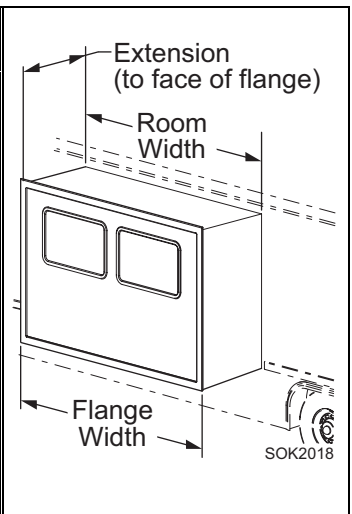
The Carefree SideOut Kover II (SOKII) is a classic slide-out room roof cover.

- Canopies are available in Vinyl, PolyWeave, Fullview, Standard or custom Sunbrella Acrylic fabrics.
- 42" fabric extension standard.
- Available for room widths of 54" to 197".
- Available with optional deflector or full case.



ROOM WIDTH VS FABRIC WIDTH

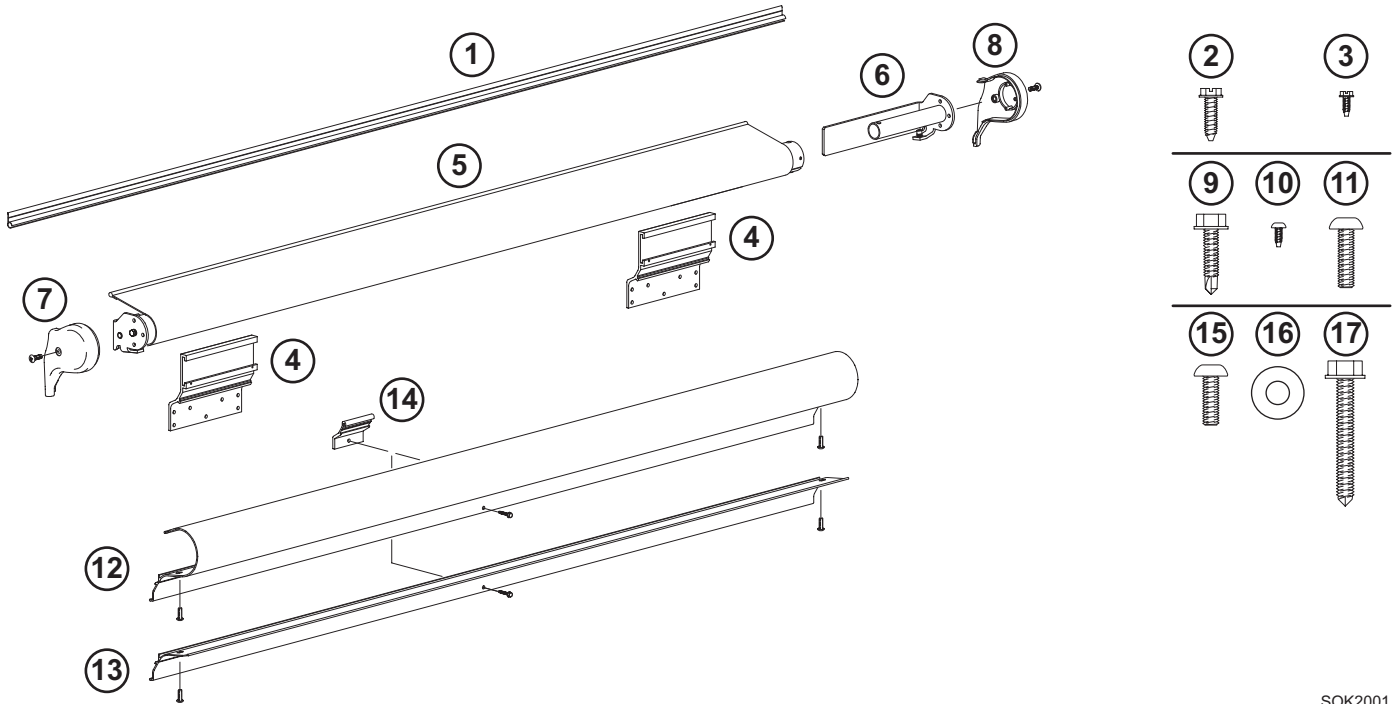
ROOM WIDTH	FLANGE WIDTH	FABRIC WIDTH	ROOM WIDTH	FLANGE WIDTH	FABRIC WIDTH	ROOM WIDTH	FLANGE WIDTH	FABRIC WIDTH
54 - 57	59 - 62	61	102 - 105	107 - 110	109	150 - 153	155-158	157
58 - 61	63 - 66	65	106 - 109	111 - 114	113	154 - 157	159-162	161
62 - 65	68 - 70	69	110 - 113	115-118	117	158 - 161	163 - 166	165
66 - 69	71 - 74	73	114 - 117	119-122	121	162 - 165	167 - 170	169
70 - 73	75 - 78	77	118 - 121	123-126	125	166 - 169	171 - 174	173
74 - 77	79 - 82	81	122 - 125	127-130	129	170 - 173	175 - 178	177
78 - 81	83 - 86	85	126 - 129	131-134	133	174 - 177	179 - 182	181
82 - 85	87 - 90	89	130 - 133	135-138	137	178 - 181	183 - 186	185
86 - 89	91 - 94	93	134 - 137	139-142	141	182 - 185	187 - 190	189
90 - 93	95 - 98	97	138 - 141	143-146	145	186 - 189	191 - 194	193
94 - 97	99 - 102	101	142 - 145	147-150	149	190 - 193	195 - 198	197
98 - 101	103 - 106	105	146 - 149	151-154	153	194 - 197	199 - 203	201



NOTES: 1. All Dimensions are in inches.
 2. If measurement is a fraction, round up to the next inch.

Figure 1. SOKII Specifications.

COMPONENT CHECKLIST



SOK2001

<input checked="" type="checkbox"/>	ITEM	DESCRIPTION		QTY	NOTE
BASIC ASSEMBLY					
<input type="checkbox"/>	1	Awning Rail		1	
<input type="checkbox"/>	2	Screw, Hex Head	#10 x 3/4	20	
<input type="checkbox"/>	3	Screw, Hex Head	#6 x 3/8	2	
<input type="checkbox"/>	4	Universal Mount Bracket		2	
<input type="checkbox"/>	5	Roll Bar Assembly		1	1
<input type="checkbox"/>	6	Pivot Assembly, RH		1	2
<input type="checkbox"/>	7	End Cap, LH		1	
<input type="checkbox"/>	8	End Cap, RH		1	
<input type="checkbox"/>	9	TEK Screw	#12 x 1	14	
<input type="checkbox"/>	10	Screw, Phillips Head	#6 x 5/16	4	
<input type="checkbox"/>	11	Screw, Phillips Head	1/4 -20 x 1	2	
OPTIONAL EQUIPMENT					
<input type="checkbox"/>	12	Full Case		1	
<input type="checkbox"/>	13	Deflector		1	
<input type="checkbox"/>	14	Support Bracket		1	3
<input type="checkbox"/>	15	Screw, Phillips Head	1/4-20 x 3/4	2	
<input type="checkbox"/>	16	Spacer, 3/8"		1	3
<input type="checkbox"/>	17	Screw	#12 x 1 3/4	1	3

- NOTES:
1. Roll Bar assembly includes canopy, spring assembly and left pivot bracket. Do NOT attempt to remove the left pivot bracket from the roll bar.
 2. The right pivot bracket is shipped in the roller tube but is not attached.
 3. The support bracket and hardware (items 14, 16 and 17) are only used with deflectors 5 feet or longer and full cases 12 foot or longer in length.

INSTALLATION

INSTALL THE UNIVERSAL MOUNTING BRACKETS

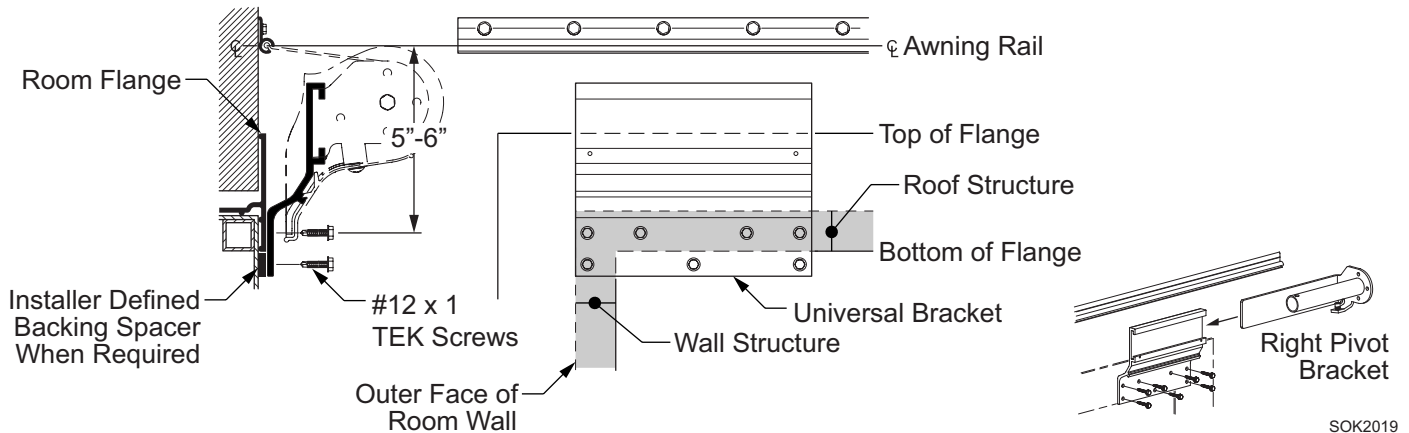


Figure 2. Mounting the Universal Brackets.

1. Using a non-permanent method of marking, mark the locations of the outside face of the slide-out walls and roof on the room face/flange. These will be guides for mounting the brackets.
2. Horizontally position the bracket by aligning the outer edge of the bracket with the outer face of the room wall.
3. Vertically position the bracket to meet the following requirements:
 - The centerline of the upper mounting holes must align with the roof structure so that the mounting screws will securely go in to the structure.
 - The centerline of the upper mounting holes must be within 5" – 6" of the centerline of the existing awning rail; or, the area to mount a new awning rail must be within 5" – 6" from the centerline of the upper mounting holes.
4. Using a quality silicone sealant, coat the mounting surface of the bracket with particular attention around the mounting holes.
5. After positioning the bracket, mount using the #12 x 1 TEK screws.

NOTE: If the bottom set of mounting holes is off the edge of the flange, it will be necessary to use an installer defined spacer behind the bottom holes of the bracket as shown above.

6. Repeat for other side.
7. Slide the RIGHT pivot bracket into the RIGHT universal bracket. Do not secure with screws at this time.

INSTALLING AN AWNING RAIL (IF REQUIRED)

1. Position the awning rail within 5" – 6" of the centerline of the upper mounting holes of the universal bracket. Awning rail must be level.
2. After determining mounting position, mark the position with a chalk line.
3. Seal the back of the rail with silicone sealant or putty tape.
4. Align the awning rail onto the wall and secure with #10 x 3/4" screws. Use all the attachment holes in the rail.
5. Use a screwdriver to spread open the left end of the awning rail on the installation side.
6. File any sharp edges or burrs from the end of the rail. This will help protect the awning fabric from damage during installation.
7. Spray inside the awning rail track with silicone lubricant.

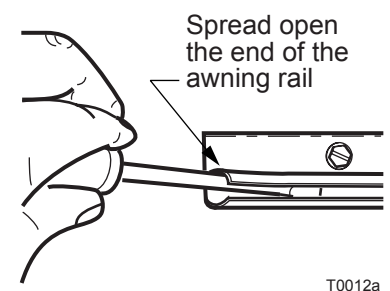
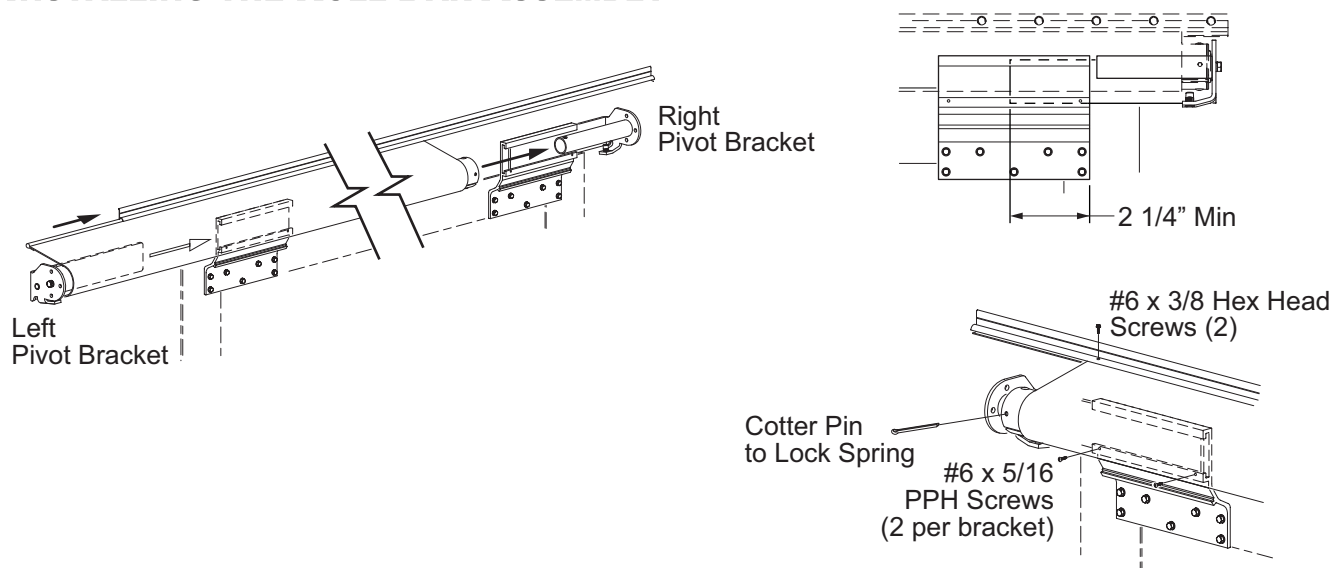


Figure 3. Installing the Awning Rail.

INSTALLING THE ROLL BAR ASSEMBLY



SOK2016

Figure 4. Installing the Roll Bar Assembly.

1. For ease of installation, unroll a maximum of one wrap of the fabric from the roll bar.
2. Carefully slide the cover fabric into the awning rail.
3. While sliding the fabric, simultaneously slide the roll bar onto the right pivot bracket and slide the left pivot bracket into the left mounting bracket.
4. Center the rollbar and fabric over the room.

NOTE: The pivot brackets must have a minimum engagement of 2 1/4 inches. If the minimum is not met, the mounting brackets must be moved outward or the roll bar must be shorter.
5. Secure the pivot brackets to the mounting brackets using two (2) #6 x 5/16 phillips head screws.

NOTE: If the screws do not engage the pivot bracket, it will be necessary to drill a small pilot hole through the mounting bracket in a location the screw will engage the pivot bracket.
6. Firmly grasp the roll bar and remove the cotter pin from the left end of the roll bar. Allow the fabric to SLOWLY roll up.

⚠ CAUTION

USE CARE WHEN REMOVING THE COTTER PIN. THE PIN IS HOLDING THE PRE-WOUND TENSION OF THE SPRING. FAILURE TO SECURELY HOLD THE ROLLBAR MAY ALLOW THE ROLLBAR TO RAPIDLY ROLL UP AND CAUSE PERSONAL INJURY OR DAMAGE.

7. Open and close the room several times to verify the fabric is centered and rolling up straight. Adjust as necessary.
8. Secure the fabric to the awning rail by drilling a 3/32" hole through the awning rail, polycord and fabric approximately 1"-2" from the edge of the fabric. Attach with two (2) #6 x 3/8 screws.

INSTALLING THE OPTIONAL DEFLECTOR OR FULL CASE

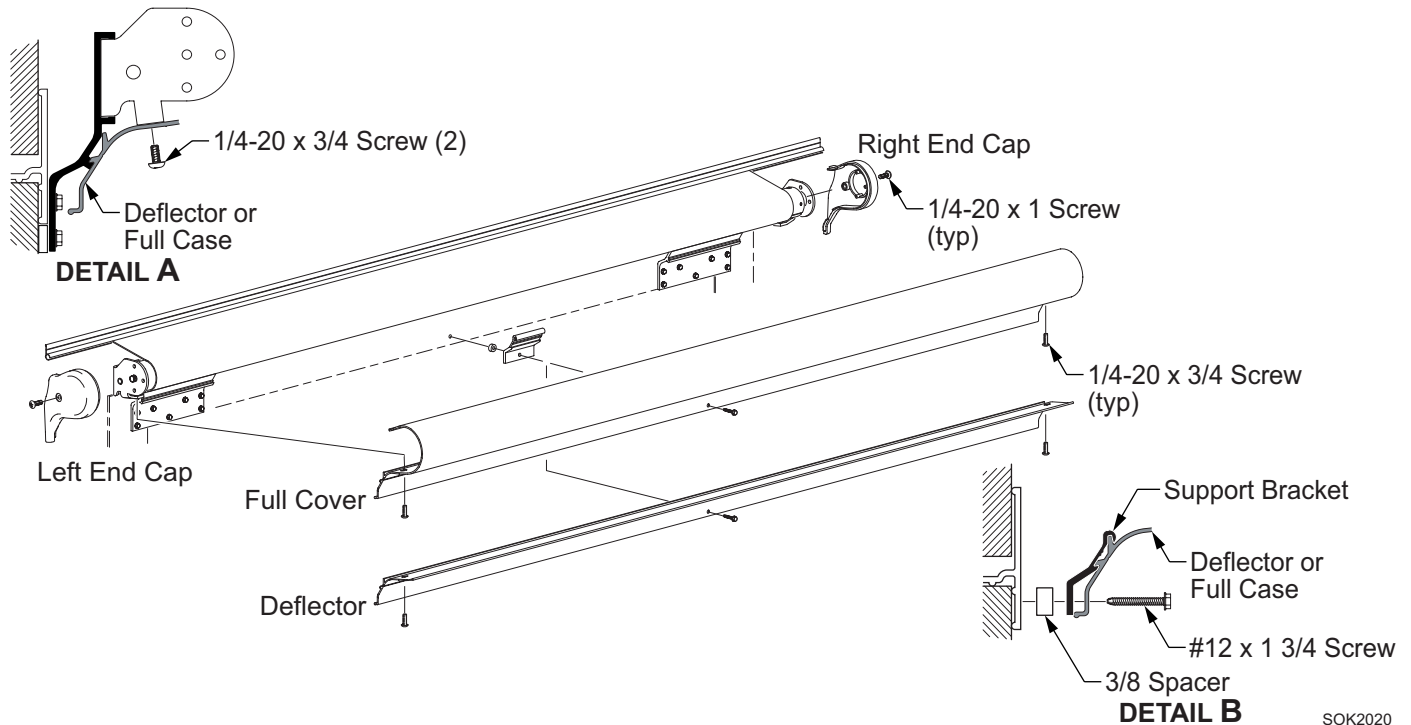


Figure 5. Attaching the Optional Deflector or Full Case.

1. (Refer to Detail B) For deflectors over 60 inches in length and full cases over 12 feet in length, slide the center support bracket onto the back and align with the hole in the middle of the deflector or case.
2. Extend the room out approximately 6 inches. This is to allow some play in the fabric.
3. (Refer to Detail A) Lift the deflector or full case up and hook into the groove of the mounting brackets.

NOTE: The full case will press down on the fabric. This is to aid in removing debris and moisture that may accumulate on the fabric while the room is extended out.

4. Align the outer holes with the nuts on the pivot brackets and secure using 1/4-20 x 3/4 screws.
5. For deflector or case with the center support bracket, drill a 3/16" pilot hole into the coach wall.
6. (Refer to Detail B) For deflector or case with the center support bracket, attach the case and bracket using the 3/8 inch spacer and #12 x 1 3/4 screw.
7. Attach the left and right end caps to the pivot brackets using one each 1/4-20 x 1 screw.

MAINTENANCE

FABRIC CARE

CAUTION

DO NOT USE OIL BASED CLEANERS OR ANY CAUSTIC, GRANULATED, OR ABRASIVE TYPE CLEANERS ON YOUR CAREFREE PRODUCT.

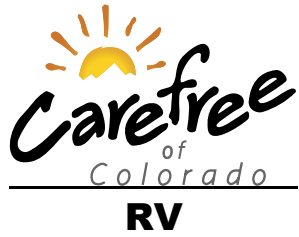
1. One of the best ways to keep the fabric looking good and to delay the need for deep or vigorous cleanings is to hose fabrics off on a monthly basis with clear water. This practice will help prevent dirt from becoming deeply imbedded in the fabric and eliminate the need for more frequent vigorous cleanings. In most environments, a thorough cleaning will be needed every two to three years.
2. When it's time for a thorough cleaning, the fabric can be cleaned while still mounted.
 - For Vinyl Fabric – Use a soft brush and warm water with soap.
 - For Acrylic Fabric – Use a stiff brush and warm water with soap.
3. When cleaning the fabric, it is important to observe the following:
 - Always use a natural soap. Never detergent.
 - Water should be cold to lukewarm. Never more than 100 degrees.
 - Air-dry only. Never apply heat to the fabric.
 - Always allow the fabric to dry completely before rolling up the fabric.

Mildew

Mildew is a fungus growth that looks like dirt. Vinyl coated polyester fabrics are mildew resistant because of a chemical biocide in the vinyl coating. Under ordinary conditions, mildew will not appear. However, in areas where high temperature and humidity are common, mildew can be a problem and require the material to be washed more frequently. THOROUGHLY rinse the fabric with clean water and allow to air dry completely before rolling up the fabric.

POOLING

When water collects on the top of the fabric, this is known as "pooling". This can occur during inclement weather or if a running air conditioner discharges over the SOKII. The water is dumped when the room is retracted. It is recommended that if water accumulates on the top of the SOKII, briefly retract the room to dump the water. This will help prevent the fabric from stretching or distorting.



CAREFREE

SIDEOUT KOVER II

WITH MANUAL LOCK

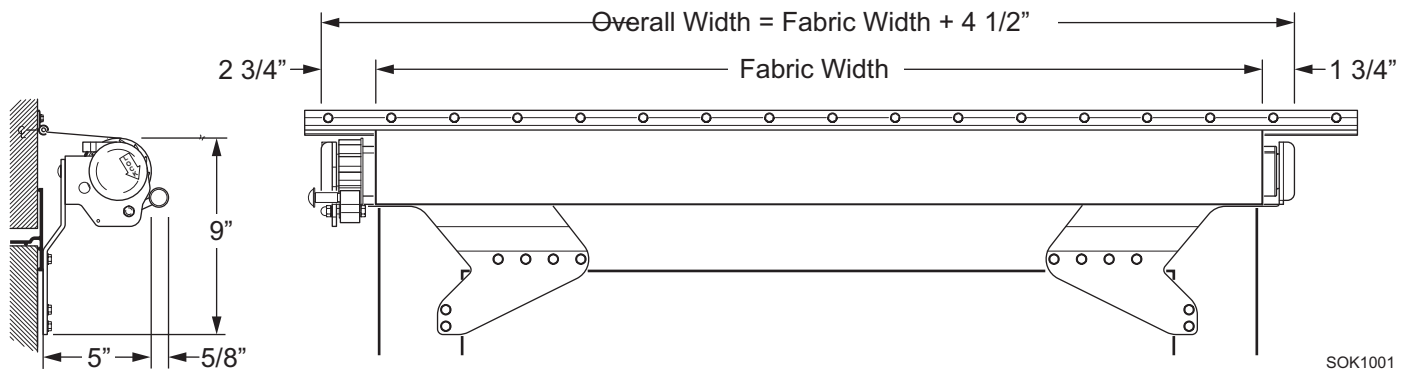
Installation

INTRODUCTION

PRODUCT OVERVIEW

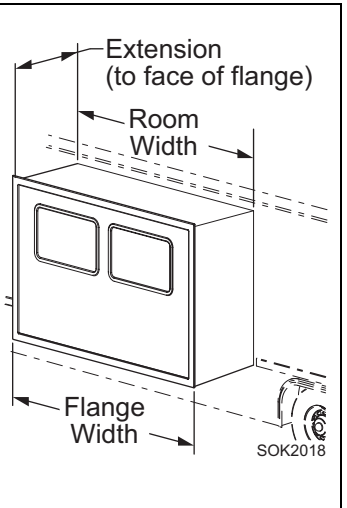
The Carefree SideOut Kover II (SOKII) is a classic slide-out room roof cover.

- Canopies are available in Vinyl, PolyWeave, Fullview and Standard or custom Sunbrella Acrylic fabrics.
- 42" fabric extension standard.
- Available for room lengths of 54" to 197" in 4" increments.
- Manual Lock prevents billowing during transit.



ROOM WIDTH VS FABRIC WIDTH

ROOM WIDTH	FLANGE WIDTH	FABRIC WIDTH	ROOM WIDTH	FLANGE WIDTH	FABRIC WIDTH	ROOM WIDTH	FLANGE WIDTH	FABRIC WIDTH
54 - 57	59 - 62	61	102 - 105	107 - 110	109	150 - 153	155-158	157
58 - 61	63 - 66	65	106 - 109	111 - 114	113	154 - 157	159-162	161
62 - 65	68 - 70	69	110 - 113	115-118	117	158 - 161	163 - 166	165
66 - 69	71 - 74	73	114 - 117	119-122	121	162 - 165	167 - 170	169
70 - 73	75 - 78	77	118 - 121	123-126	125	166 - 169	171 - 174	173
74 - 77	79 - 82	81	122 - 125	127-130	129	170 - 173	175 - 178	177
78 - 81	83 - 86	85	126 - 129	131-134	133	174 - 177	179 - 182	181
82 - 85	87 - 90	89	130 - 133	135-138	137	178 - 181	183 - 186	185
86 - 89	91 - 94	93	134 - 137	139-142	141	182 - 185	187 - 190	189
90 - 93	95 - 98	97	138 - 141	143-146	145	186 - 189	191 - 194	193
94 - 97	99 - 102	101	142 - 145	147-150	149	190 - 193	195 - 198	197
98 - 101	103 - 106	105	146 - 149	151-154	153	194 - 197	199 - 203	201



NOTES: 1. All Dimensions are in inches.
 2. If measurement is a fraction, round up to the next inch.

Figure 1. SOKII w/ Manual Lock Specifications.

COMPONENT CHECKLIST

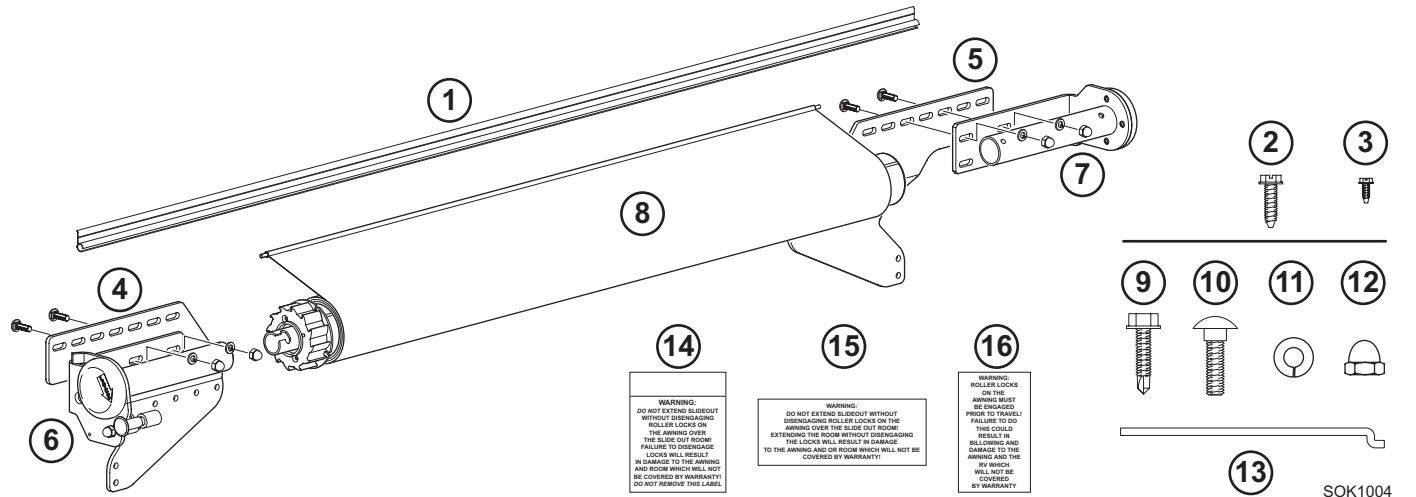


Figure 2. Component Checklist.

<input checked="" type="checkbox"/>	ITEM	DESCRIPTION		QTY	NOTE
BASIC ASSEMBLY					
<input type="checkbox"/>	1	Awning Rail		1	
<input type="checkbox"/>	2	Screw, Hex Head	#10 x 3/4	20	
<input type="checkbox"/>	3	Screw, Hex Head	#6 x 3/8	2	
<input type="checkbox"/>	4	Mount Bracket, LH		1	
<input type="checkbox"/>	5	Mount Bracket, RH		1	
<input type="checkbox"/>	6	Pivot Assembly w/ Lock, LH		1	
<input type="checkbox"/>	7	Pivot Assembly, RH			
<input type="checkbox"/>	8	Roll Bar Assembly		1	1
<input type="checkbox"/>	9	TEK Screw	#12 x 1	12	
<input type="checkbox"/>	10	Carriage Bolt		4	
<input type="checkbox"/>	11	Lock Washer		4	
<input type="checkbox"/>	12	Acorn Nut		4	
<input type="checkbox"/>	13	Spring Brace Handle		1	
<input type="checkbox"/>	14	Warning Label, Over Switch		1	
<input type="checkbox"/>	15	Warning Label, "Do Not Extend Without Disengaging"		1	
<input type="checkbox"/>	16	Warning Label, "Roller Locks Must Be Engaged"		1	

NOTE: Roll Bar assy includes canopy and spring assembly. Do NOT attempt to remove the spring from roll bar.

SAFETY INFORMATION

⚠ WARNING

A WARNING INDICATES A POTENTIALLY HAZARDOUS SITUATION WHICH, IF NOT AVOIDED, COULD RESULT IN DEATH OR SERIOUS INJURY AND/OR MAJOR PROPERTY DAMAGE.

⚠ CAUTION

A CAUTION INDICATES A POTENTIALLY HAZARDOUS SITUATION THAT MAY CAUSE MINOR TO MODERATE PERSONAL INJURY AND/OR PROPERTY DAMAGE. IT MAY ALSO BE USED TO ALERT AGAINST UNSAFE PRACTICES.

NOTE: A note indicates further information about a product, part, or step.

Safety Notes:

- Always wear appropriate safety equipment (i.e. goggles).
- Always use appropriate lifting devices and/or helpers when lifting or holding heavy objects.
- When using fasteners, use care to not over tighten. Soft materials such as fiberglass and aluminum can be "stripped out" and lose the ability to grip.

INSTALLATION

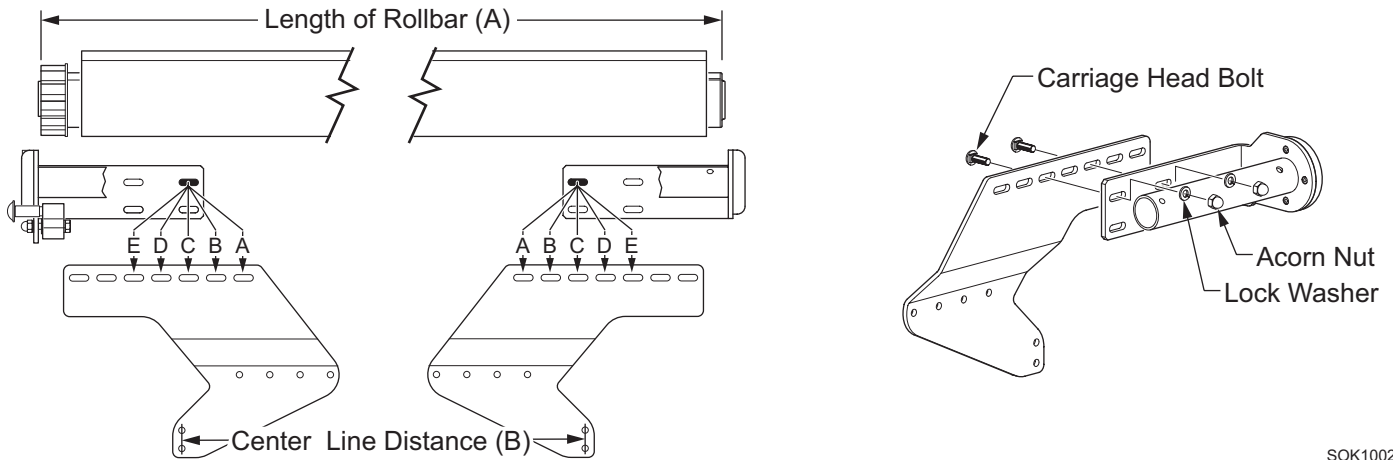
INSTALLING THE MOUNTING BRACKETS

- Using a non-permanent method of marking, mark the locations of the outside face of the slide-out walls and roof on the room face/flange. These will be guides for mounting the brackets.
- Horizontally position the bracket by aligning the outer edge of the bracket's mounting surface with the outer face of the room wall.
- Vertically position the bracket to meet the following requirements:
 - The centerline of the upper mounting holes must align with the roof structure so that the mounting screws will securely go in to the structure.
 - The centerline of the upper mounting holes must be within 5" - 6" of the centerline of the existing awning rail. *or* The area to mount an awning rail must be 5" - 6" from the centerline of the upper mounting holes.
- Mark the location of the mounting holes for future reference.

Tip: Drill 1/8 inch pilot holes at the screw mount locations. This will aid installation later on.

Assemble the Brackets

- Attach the pivot brackets to the mounting brackets using 2 each carriage head bolt, lock washer and acorn nut. Tighten nuts to 75 in-lbs.



SOK1002

Figure 3. Mounting the Pivot Brackets.

To determine the correct mounting holes to use in the mounting brackets:

- Measure the length of the roll bar assembly (A).
- Measure the distance between the vertical mounting holes for the brackets (B).
- Subtract the mounting distance (B) from the roll bar length (A) and use the chart below

DIFFERENCE (A - B)	LH BRACKET	RH BRACKET	DIFFERENCE (A - B)	LH BRACKET	RH BRACKET
6 7/8 to 7 3/8	A	A	12 1/2 to 13	D	C
8 to 8 1/2	B	A	13 5/8 to 14 1/8	E	C
9 1/8 to 9 5/8	C	A	14 3/4 to 15 1/4	E	D
10 1/4 to 10 3/4	C	B	15 7/8 to 16 3/8	E	E
11 3/8 to 11 7/8	D	B			

- NOTES:
- Dimensions are in inches.
 - With the exceptions of A|A and E|E, the hole combinations center the fabric over the room. A|A and E|E are the minimum and maximum useable values and center the rollbar over the room.
 - If in doubt, use the next larger combination.
 - If the difference (A - B) exceeds the minimum or maximum values, it will be necessary to reposition the bracket locations.
- After attaching the pivot bracket, attach the right mounting bracket to the coach wall using six (6) #12 x 1 hex head screws.

INSTALLING AN AWNING RAIL (IF REQUIRED)

1. Position the awning rail within 5" - 6" of the centerline of the upper mounting holes of the mounting bracket. Awning rail must be level.
2. After determining mounting position, mark the position with a chalk line.
3. Seal the back of the rail with silicone sealant or putty tape.
4. Align the awning rail onto the wall and secure with #10 x 3/4" screws. Use all the attachment holes in the rail.
5. Use a screwdriver to spread open the left end of the awning rail on the installation side.
6. File any sharp edges or burrs from the end of the rail. This will help protect the awning fabric from damage during installation.
7. Spray inside the awning rail track with silicone lubricant.

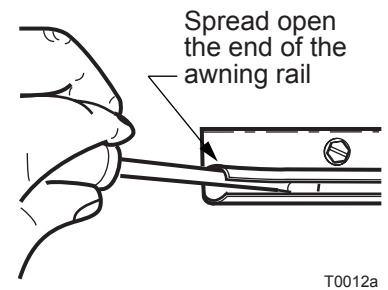
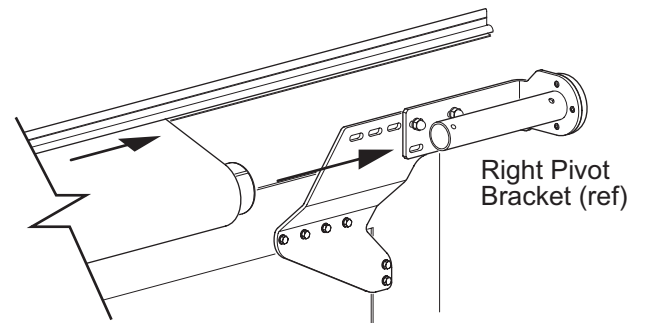


Figure 4. Installing the Awning Rail.

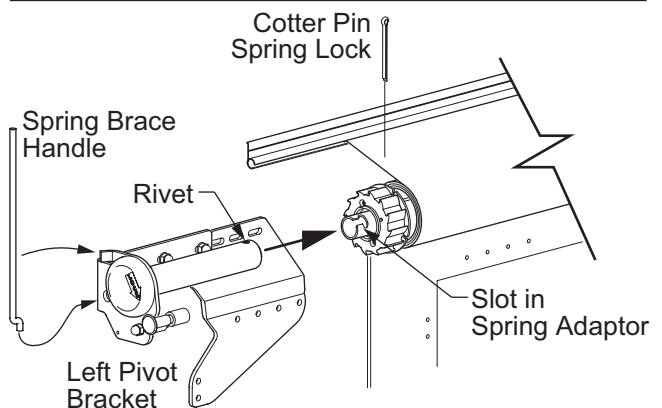
INSTALLING THE ROLL BAR ASSEMBLY

1. For ease of installation, unroll a maximum of one wrap of the fabric from the roll bar.
2. Carefully slide the cover fabric into the awning rail.
3. While sliding the fabric, simultaneously slide the roll bar onto the right pivot bracket.
4. Lift the left pivot bracket and slide the pivot tube over the spring adaptor in the roll bar. The rivet of the pivot must engage the slot in the spring adaptor. Rotate the brackets vertically.
5. Insert the spring brace handle into the 1/2 inch hole of the pivot bracket and hook into the tab at the top of the bracket.
6. Firmly grasp the handle and roll bar then remove the cotter pin from the left end of the roll bar.



DETAIL A

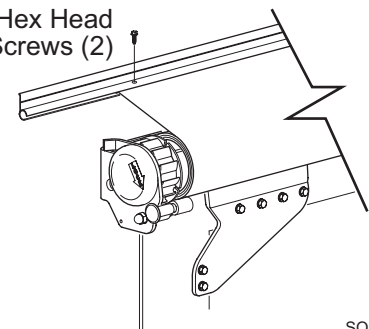
- ⚠ CAUTION**
- USE CARE WHEN REMOVING THE COTTER PIN. THE PIN IS HOLDING THE PRE-WOUND TENSION OF THE SPRING. FAILURE TO SECURELY HOLD THE ROLLBAR MAY ALLOW THE ROLLBAR TO RAPIDLY ROLL UP AND CAUSE PERSONAL INJURY OR DAMAGE.**



DETAIL B

7. Continue to hold the spring brace handle and roll bar while pressing the spring and pivot bracket fully into the roll bar.
8. Attach the left mounting bracket to the coach wall using six (6) #12 x 1 hex head screws.
9. Slowly release the roll bar and allow the fabric to roll up slowly. Remove the brace handle.
10. Open and close the room several times to verify the fabric is centered and rolling up straight.
11. Secure the fabric to the awning rail by drilling a 3/32" hole through the awning rail, polycord and fabric approximately 1"-2" from the edge of the fabric. Attach with two (2) #6 x 3/8 screws.

#6 x 3/8 Hex Head Screws (2)



SOK1003

Figure 5. Installing the Roll Bar Assembly.

INSTALL THE LABELS

IMPORTANT NOTE: THE SOKII INSTALLATION IS NOT COMPLETE UNTIL THESE WARNING LABELS ARE ATTACHED. THE LABELS CONTAIN IMPORTANT OPERATING AND SAFETY INFORMATION FOR THE COACH OWNER/OPERATOR.

1. Over the slide-out room operation switch attach the "DO NOT EXTEND SLIDE-OUT WITH DISENGAGING" label. The bottom of the label must cover the switch so that the operator must lift the label to operate the switch.

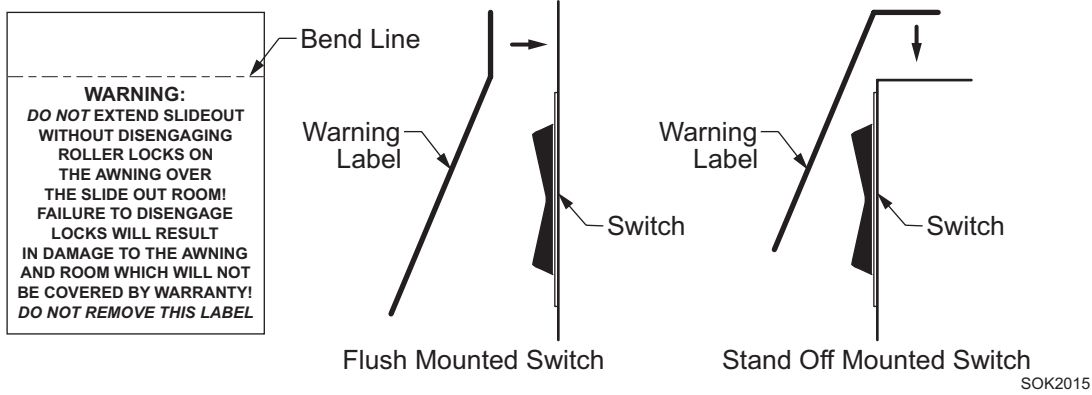


Figure 6. Switch Warning Label.

2. Affix the two warning labels to the slide-out room travel locks.

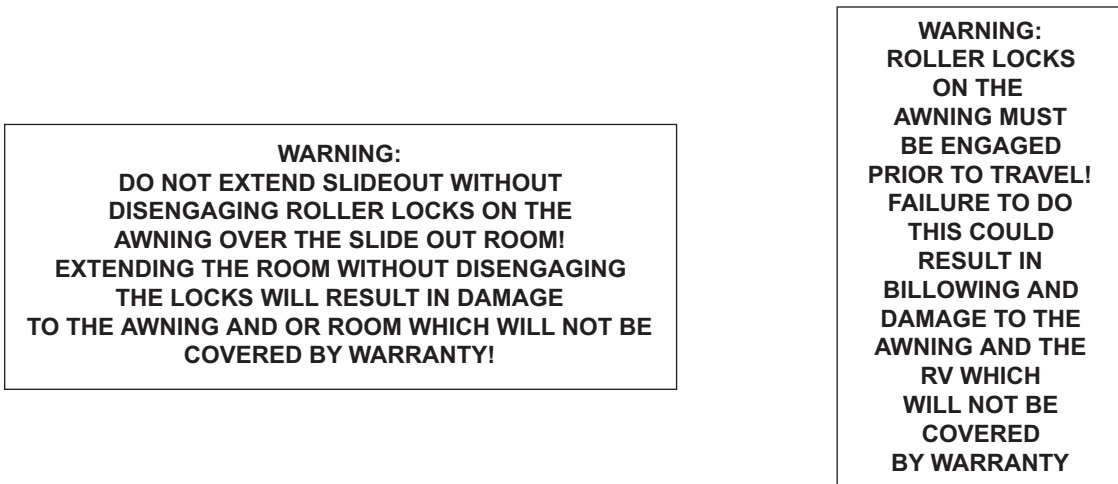


Figure 7. Travel Lock Warning Labels.

OPERATION

The SOKII automatically extends and retracts when the slide-out room extends and retracts. To prevent "billowing" during transit, a manual lock is incorporated into the design of the SOKII. Billowing can cause premature wear and damage to the fabric. The operator must operate the manual lock for the SOKII.

The lock and lock lever are located on the left end of the SOKII.

To Open

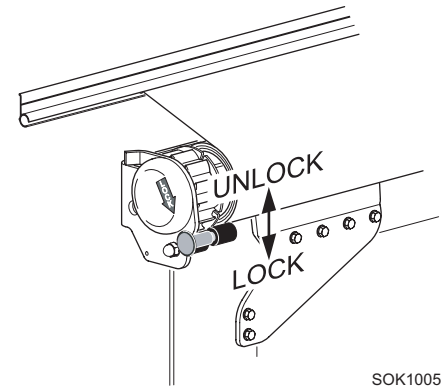
⚠ CAUTION

FAILURE TO DISENGAGE THE MANUAL LOCK BEFORE OPENING THE SLIDE-OUT ROOM CAN RESULT IN DAMAGE TO THE COVER, SLIDE-OUT ROOM AND/OR COACH!

1. Before opening the room, move the lock lever to the up position.
2. Open the room per the coach manufacturer's instructions.

To Close

1. Close and secure the room per the coach manufacturer's instructions.
2. Move the lock lever to the down position.



SOK1005

Figure 8. Manual Lock.

⚠ CAUTION

FAILURE TO ENGAGE THE MANUAL LOCK MAY CAUSE TO THE FABRIC TO BILLOW DURING TRANSIT. THIS CAN CAUSE PREMATURE WEAR AND DAMAGE TO THE FABRIC!

POOLING

When water collects on the top of the fabric, this is known as "pooling". This can occur during inclement weather or if a running air conditioner discharges over the SOKII. The water is dumped when the room is retracted. It is recommended that if water accumulates on the top of the SOKII, briefly retract the room to dump the water. This will help prevent the fabric from stretching or distorting.

FABRIC CARE

⚠ CAUTION

DO NOT USE OIL BASED CLEANERS OR ANY CAUSTIC, GRANULATED, OR ABRASIVE TYPE CLEANERS.

1. One of the best ways to keep the fabric looking good and to delay the need for deep or vigorous cleanings is to hose fabrics off on a monthly basis with clear water. This practice will help prevent dirt from becoming deeply imbedded in the fabric and eliminate the need for more frequent vigorous cleanings. In most environments, a thorough cleaning will be needed every two to three years.
2. When it's time for a thorough cleaning, the fabric can be cleaned while still mounted.
 - For Vinyl Fabric - Use a soft brush and warm water with soap.
 - For Acrylic Fabric - Use a stiff brush and warm water with soap.
3. When cleaning the fabric, it is important to observe the following:
 - Always use a natural soap. Never detergent.
 - Water should be cold to lukewarm. Never more than 100 degrees.
 - Air-dry only. Never apply heat to the fabric.
 - Always allow the fabric to dry completely before rolling up the fabric.

MILDEW

Mildew is a fungus growth that looks like dirt. Vinyl coated polyester fabrics are mildew resistant because of a chemical biocide in the vinyl coating. Under ordinary conditions, mildew will not appear. However, in areas where high temperature and humidity are common, mildew can be a problem and require the material to be washed more frequently. **THOROUGHLY** rinse the fabric with clean water and allow to air dry completely before rolling up the fabric.