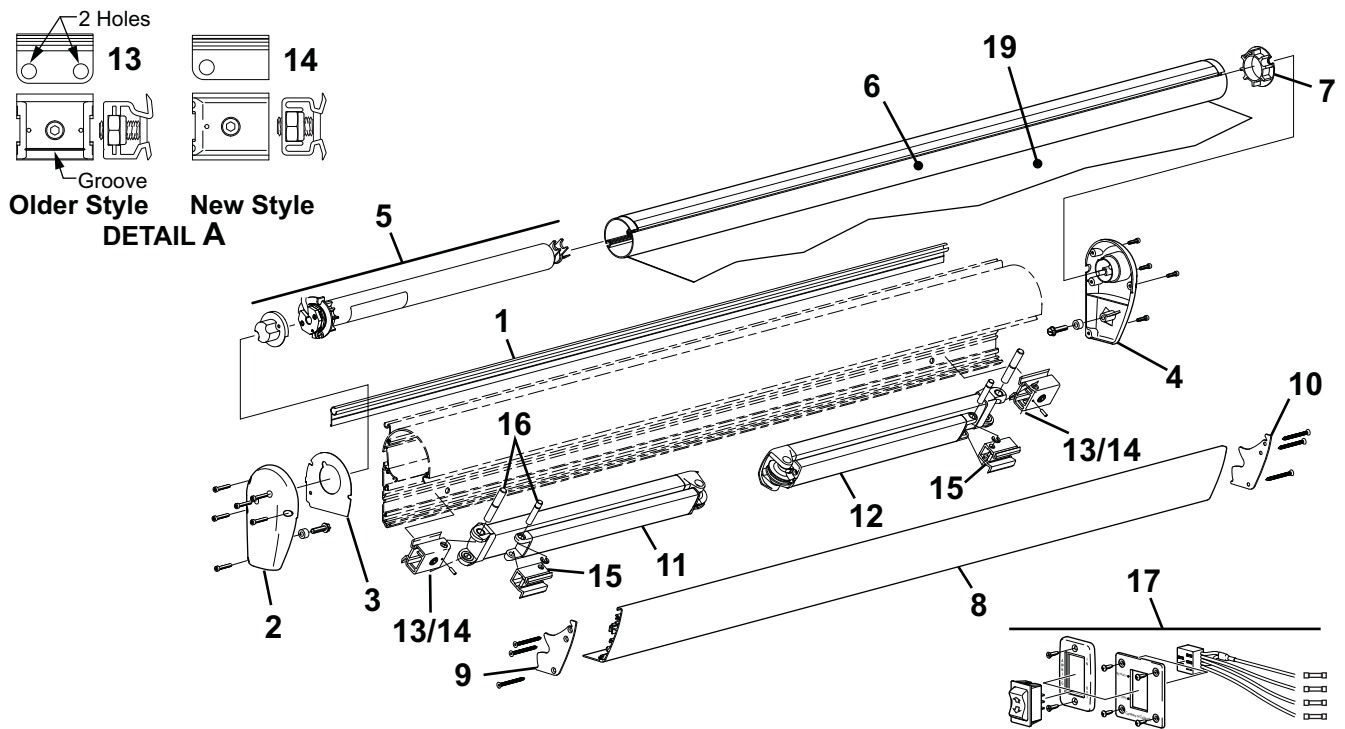


# MARQUEE SERIES AWNING ILLUSTRATED PARTS LIST (UNITS BUILT PRIOR TO JULY 2010)

Use this page for units that do not have an end plug in the RH end cap. Use the next page if the unit has an end plug.



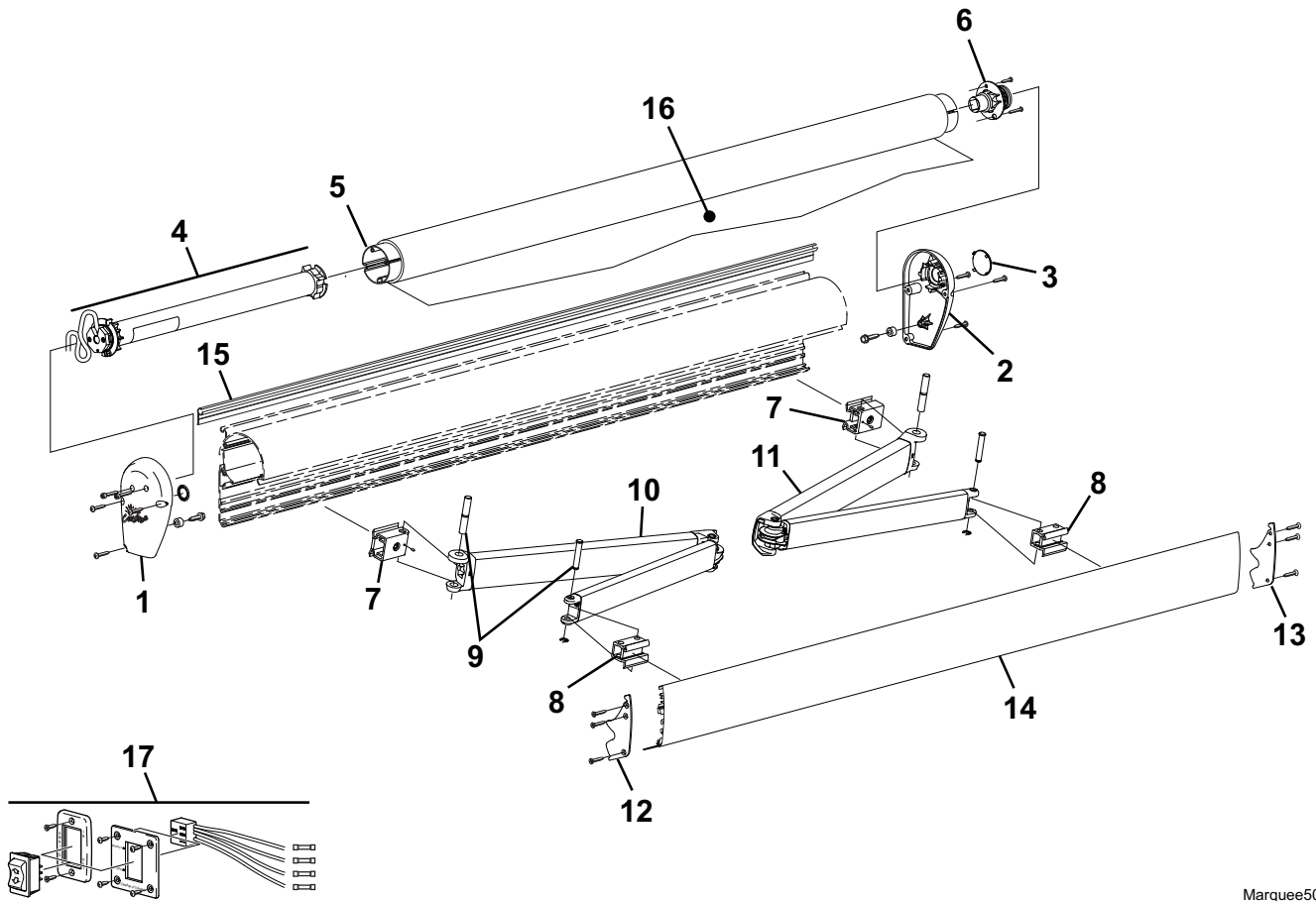
Marquee502a

Item	Part Number	Description	Notes
1		Awning Rail	See Hardware and Accessories
2	R037318-005	End Cap, White Only	LH 2
3	R054017-001	Wall, Closeout	
4	R037319-00X	End Cap	RH 2
5	R001531	Motor Kit	
6		Roller Tube	See Hardware and Accessories
7	R040751-001	Bearing, Roller Tube, RH	
8	R001362XXX-xxx	Lead Rail	
9	R036450-00X	End Plate, Lead Rail	LH 2
10	R036464-00X	End Plate, Lead Rail	RH 2
11	R012530-TB32L	Spring Arm Assy	LH 5
12	R012530-TB32R	Spring Arm Assy	RH 5
13	R019804-001	Connector Assy, Case	Window 3
	R019804-002	Connector Assy, Case	OtD 3
14	R019853-001	Connector Assy, Case	3
15	R019799-001	Connector Assy, Lead Rail	
16	R001630	Hardware Pack, Arm Attach, 1 Arm	5
17	R001605	Switch Kit	
18	R019819-001	Owners Kit (manual & mounting screws)	
19		Canopy Only	Refer to Canopy Order Form

- Notes:
1. XXX = Color; xxx = Length in inches.
  2. 00X = 005 for White; 006 for Black
  3. Two case connector configurations are used on the Marquee (item 13 - original, item 14 - new). Refer to Detail A, older style can be identified by the groove on the front face and the two holes through the top. The new and old connectors are not interchangeable. Identify the correct connector before ordering.
  4. Motor kit (item 5) includes bearing, drive and end spacer.
  5. Attaching hardware is not furnished with spring arm assemblies. Order item 16. Item 16 includes pins, set screw, retaining ring and bushings.

MARQUEE SERIES AWNING ILLUSTRATED PARTS LIST (**UNITS BUILT AFTER JULY 2010**)

Use this page for units that do have an end plug in the RH end cap. Use the previous page if the unit does not have an end plug.



Marquee504

Item	Part Number	Description	Notes
1	R001660XXX	End Cap LH	
2	R001661XXX	End Cap RH	
3	R040792-00X	End Plug, Manual Override	
4	R001651	Motor Kit	2
5		Roller Tube	See Tools and Hardware
6	R001623	Roller Tube End Plug, RH	
7	R019853-001	Connector Assembly, Case	
8	R019799-001	Connector Assembly, Lead Rail	
9	R001630	Hardware Pack, Arm Attach, 1 Arm	
10	R012530-TB32L	Spring Arm Assembly, LH	3
11	R012530-TB32R	Spring Arm Assembly, RH	3
12	R036450-00X	End Plate, Lead Rail, LH	
13	R036464-00X	End Plate, Lead Rail, RH	
14	R001362XXX-xxx	Lead Rail	
15		Awning Rail	See Tools and Hardware
16		Canopy Only	Refer to Canopy Order Form
17	R001605	Switch Kit	

- Notes:
1. XXX = Color; xx = Length. 00X=005 for White; 006 for Black
  2. Motor Kit includes bearing and one-way drive.
  3. Attaching hardware not included with spring arm assemblies. Order item 9. Item 9 includes pins, set screw and retaining ring.