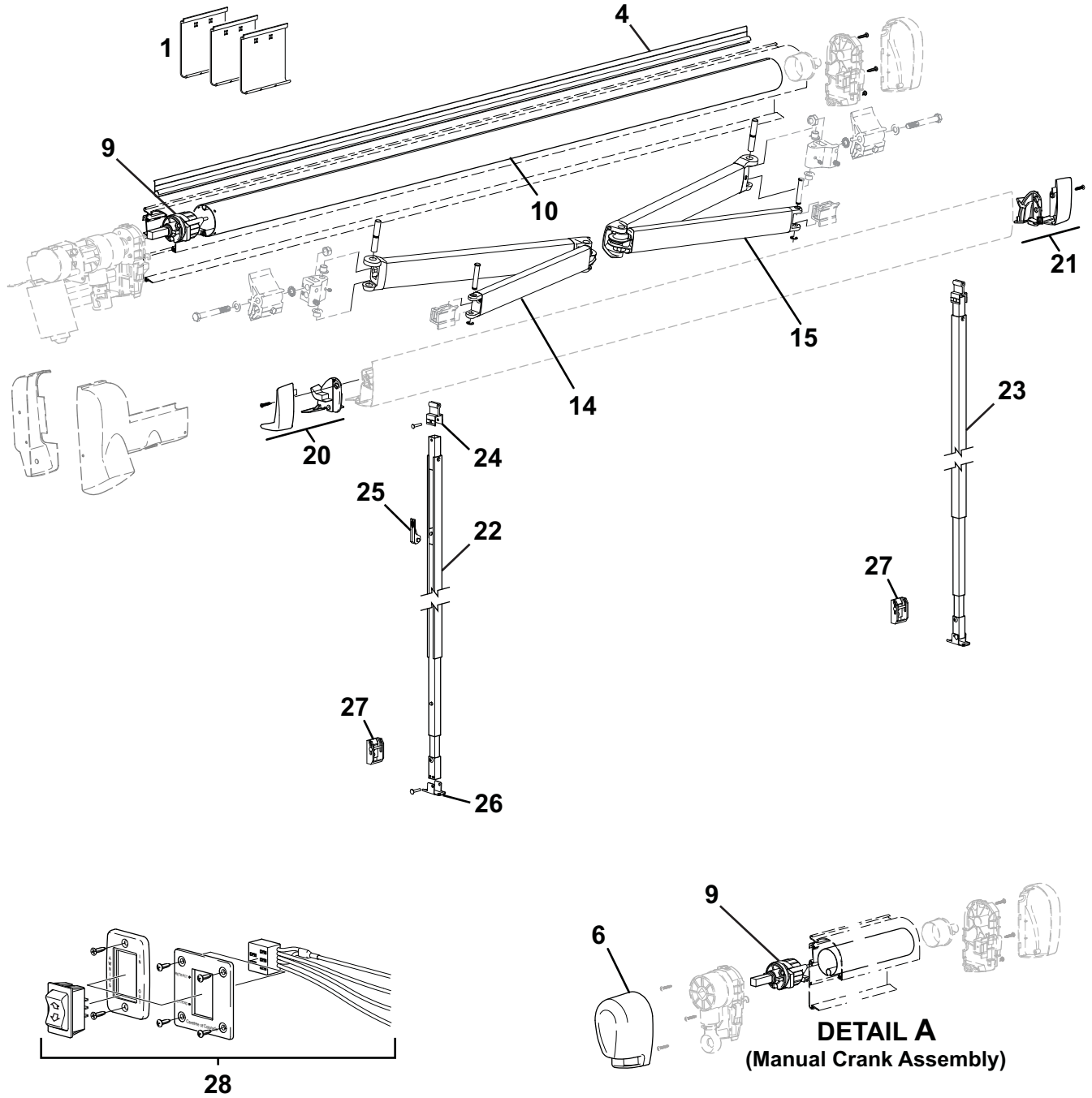


FREEDOM SERIES PATIO ILLUSTRATED PARTS LIST (SERIES CODE TW)

- MANUFACTURED PRIOR TO 12-08

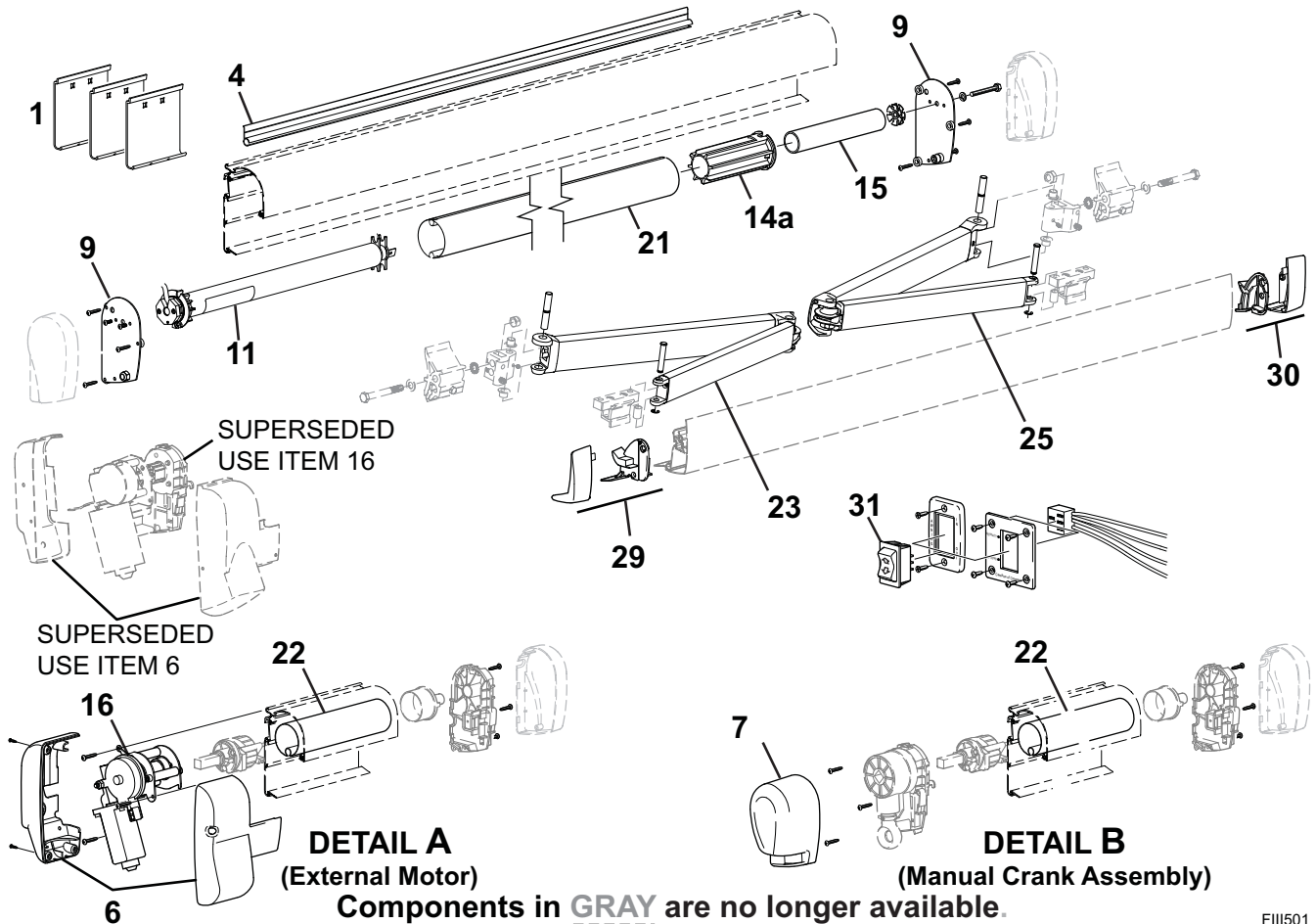


Item	Part Number	Description	Notes
1	R019311-001	Bracket Kit	8'-13' 2
4		Awning Rail	See Hardware and Accessories
6	R001026XXX	End Cap, Hand Crank	LH 1
9	R062600-003	Roller Tube End Plug	LH
10		Roller Tube	See Hardware and Accessories
14	R012530-TB68L	LH Spring Arm 8'	
	R012530-TB76L	LH Spring Arm 9'	
	R012530-TB94L	LH Spring Arm 10'-13'	
15	R012530-TB68R	RH Spring Arm 8'	
	R012530-TB76R	RH Spring Arm 9'	
	R012530-TB94R	RH Spring Arm 10'-13'	
20	R001027XXX	End Plate, Lead Rail	LH 1
21	R001028XXX	End Plate, Lead Rail	RH 1
22,23		Ground Support	
		Awning Length (22) LH (23) RH	
		8 foot R00201 R00205	
		9 foot R00202 R00206	
		10-13 feet R00203 R00207	
24	R001652	Pivot Block	
25	R00144	Flipper Latch Assy	4
26	R00394	Carport Foot	
27	R00038	Bottom Bracket	Qty 1
28	R001605	Switch Kit	3
29		Crank Handle	See Hardware and Accessories

- Notes:
1. XXX = Color.
 2. Brackets available in kits only. All kits include carriage bolts, washers and nuts.
 3. Switch Kit (item 29) replaces all previous single switch kits. Kit includes instructions for replacing older switches.
 4. Replacement Flipper Latch is orange.

FREEDOM WINDOW & OTD ILLUSTRATED PARTS LIST

- MANUFACTURED PRIOR TO SEPT 2008



DETAIL A
(External Motor)
DETAIL B
(Manual Crank Assembly)
Components in GRAY are no longer available.

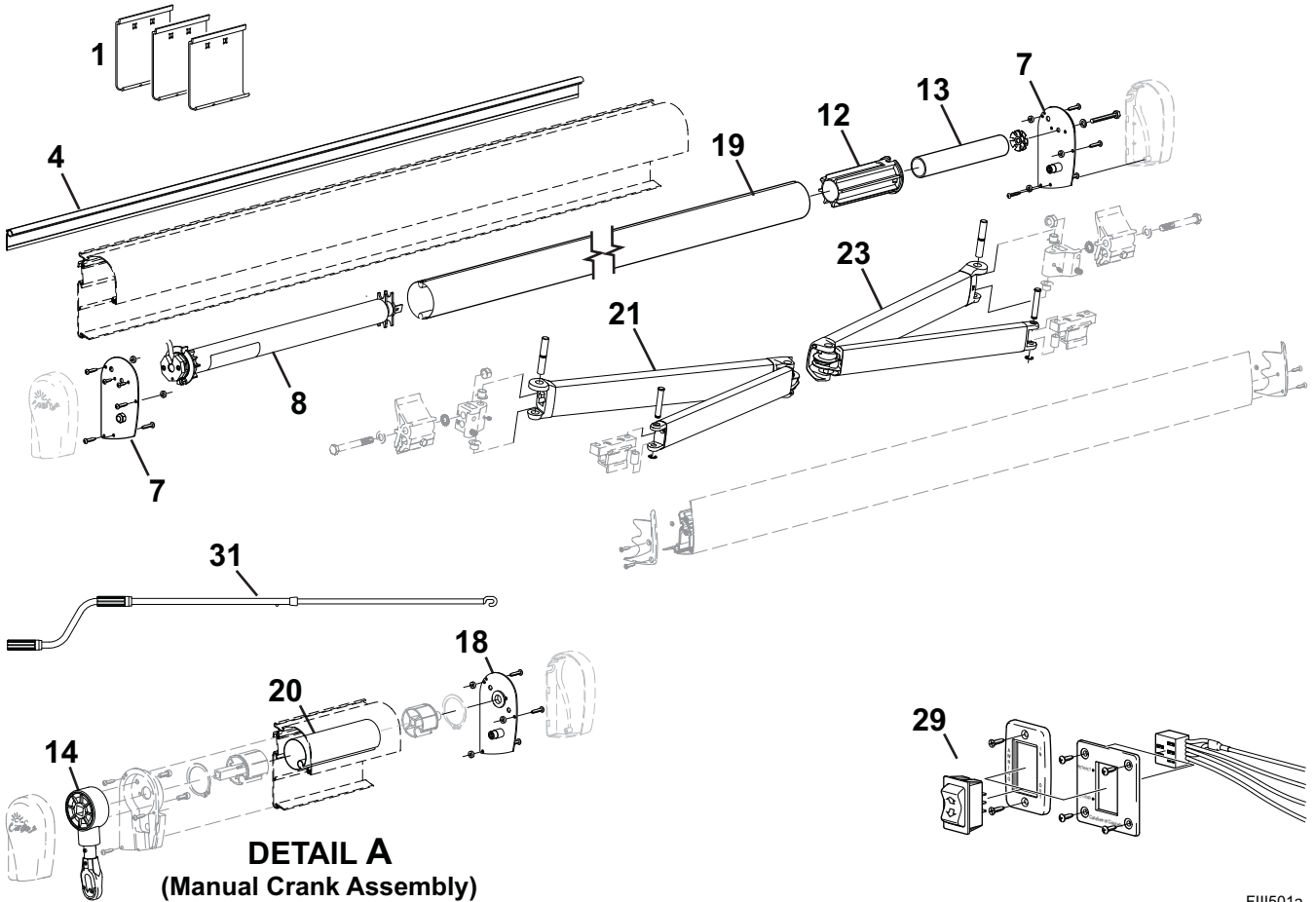
FIII501

Item	Part Number	Description	Notes
1	R019311-001	Bracket Kit	8'-13' 4
4		Awning Rail	See Hardware and Accessories
6	R001503XXX	Motor & End Cap Assembly, Worm Drive	LH 3
7	R001026XXX	End Cap, Manual Crank	LH
9	R036425-001	End plate, Housing, Tubular Motor	LH, RH 2
11	R001189	Motor, Tubular	2, 5
14a	R001188	Bushing, Roller Tube	RH 2, 5
15	R034923-001	Pivot Tube, Roller Tube	RH 2
16	R001502XXX	Motor & End Cap Assembly, Worm Drive	3
21		Roller Tube, 2 1/4	See Hardware and Accessories
22		Roller Tube, 1 7/8	See Hardware and Accessories
23	R012530-TB32L	Spring Arm Assy	LH
25	R012530-TB32R	Spring Arm Assy	RH
29	R001027XXX	End Plate, Lead Rail	LH
30	R001028XXX	End Plate, Lead Rail	RH
31	R001605	Switch Kit	6

- Notes:
1. XXX = Color.
 2. Used on motorized models Mid-2005 and ON.
 3. Silver motor used on motorized models prior to Mid-2005.
 4. Brackets available in kits only. All kits include carriage bolts, washers and nuts.
 5. Motor Replacement Kit (item 11) includes bearing and drive.
 6. Switch kit (item 31) contains switch and bezels. Kit replaces all previous switches.

FREEDOM WINDOW & OTD ILLUSTRATED PARTS LIST

- MANUFACTURED AFTER SEPT 2008

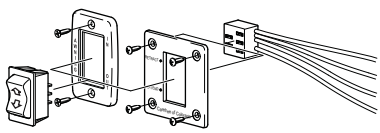


FIII501a

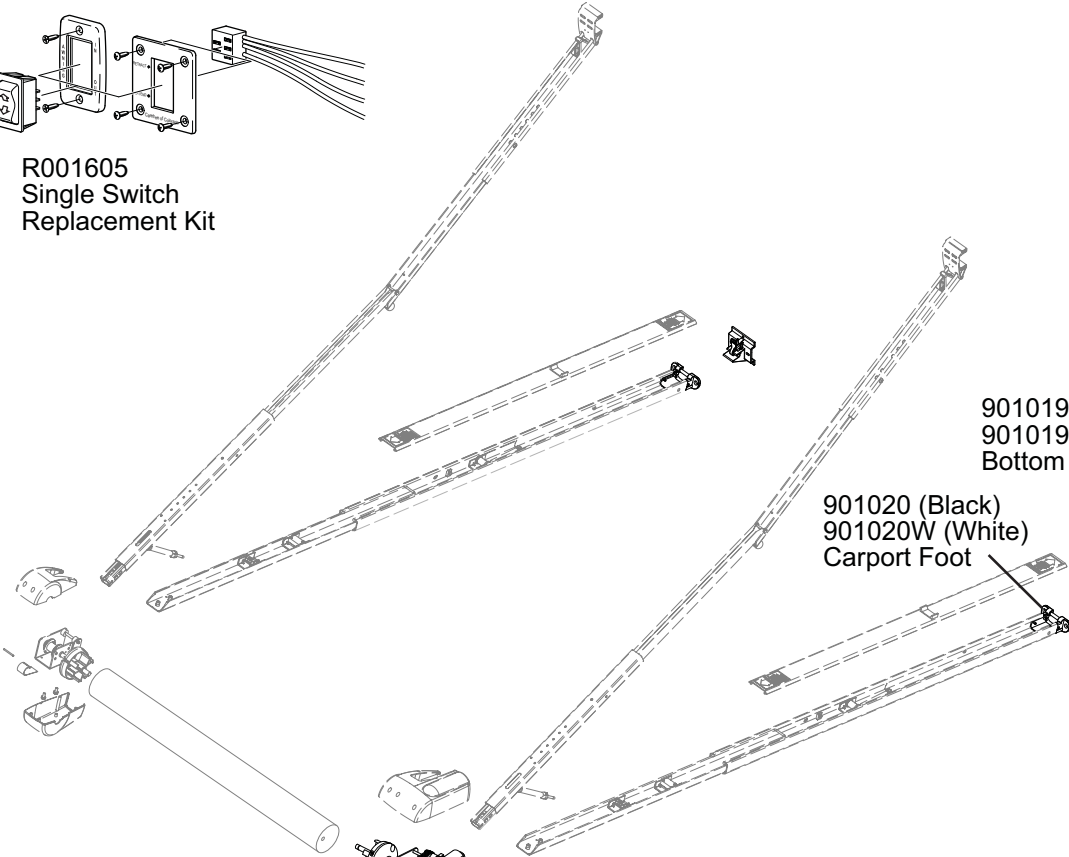
Item	Part Number	Description	Notes
1	R019311-001	Bracket Kit	8'-13' 2
4		Awning Rail	See Hardware and Accessories
7	R036425-001	End plate, Housing, Motorized, Tubular Motor	LH, RH
8	R001189	Motor, Tubular	3
12	R001188	Bushing, Roller Tube	RH
13	R034923-001	Pivot Tube, Roller Tube	RH
14	R062777-XXX	Manual Crank Assy	
18	R001539	End Plate, Housing, Manual Crank	RH
19		Roller Tube, 2 1/4	See Hardware and Accessories
20		Roller Tube, 1 7/8, Steel	See Hardware and Accessories
21	R012530-TB32L	Spring Arm Assy	LH
23	R012530-TB32R	Spring Arm Assy	RH
29	R001605	Switch, DPDT, Momentary Contact	Ext/Ret 4
31		Hand Crank Assembly	See Hardware and Accessories
32	R001251	Shim Kit	not shown

- Notes:
1. XXX = Color; xxx = Length in inches.
 2. Brackets available in kits only. All kits include carriage bolts, washers and nuts.
 3. Motor Replacement Kit (item 8) includes bearing and drive.
 4. Switch kit (item 29) includes switch and bezels. Kit replaces all previous switches.

ONE-TOUCH ILLUSTRATED PARTS LIST



R001605
Single Switch
Replacement Kit



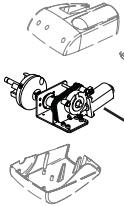
901019 (Black)
901019W (White)
Bottom Bracket

901020 (Black)
901020W (White)
Carport Foot



901067
Tractioner (qty: 2)

**Components in GRAY
are no longer available.**

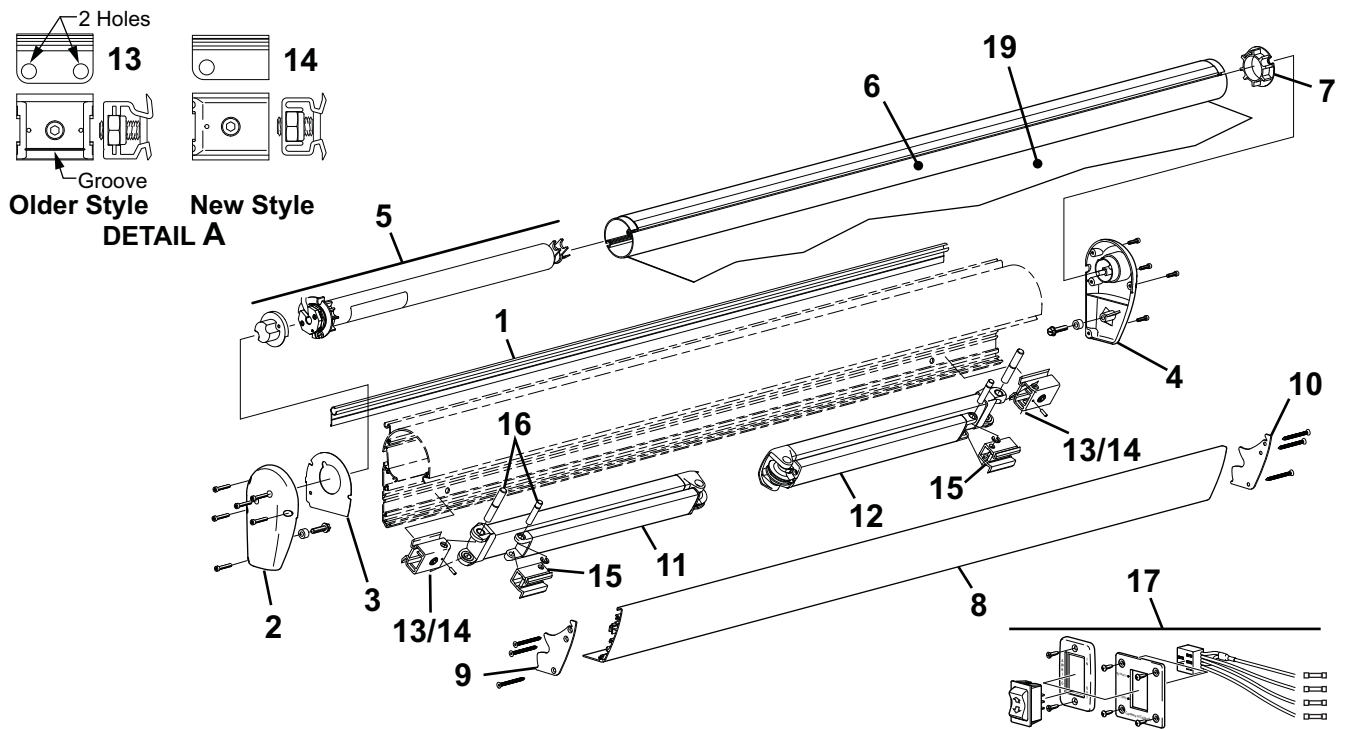


R00772
Motor Only
Silver Motor Only
Black Motor NLA



MARQUEE SERIES AWNING ILLUSTRATED PARTS LIST (UNITS BUILT PRIOR TO JULY 2010)

Use this page for units that do not have an end plug in the RH end cap. Use the next page if the unit has an end plug.



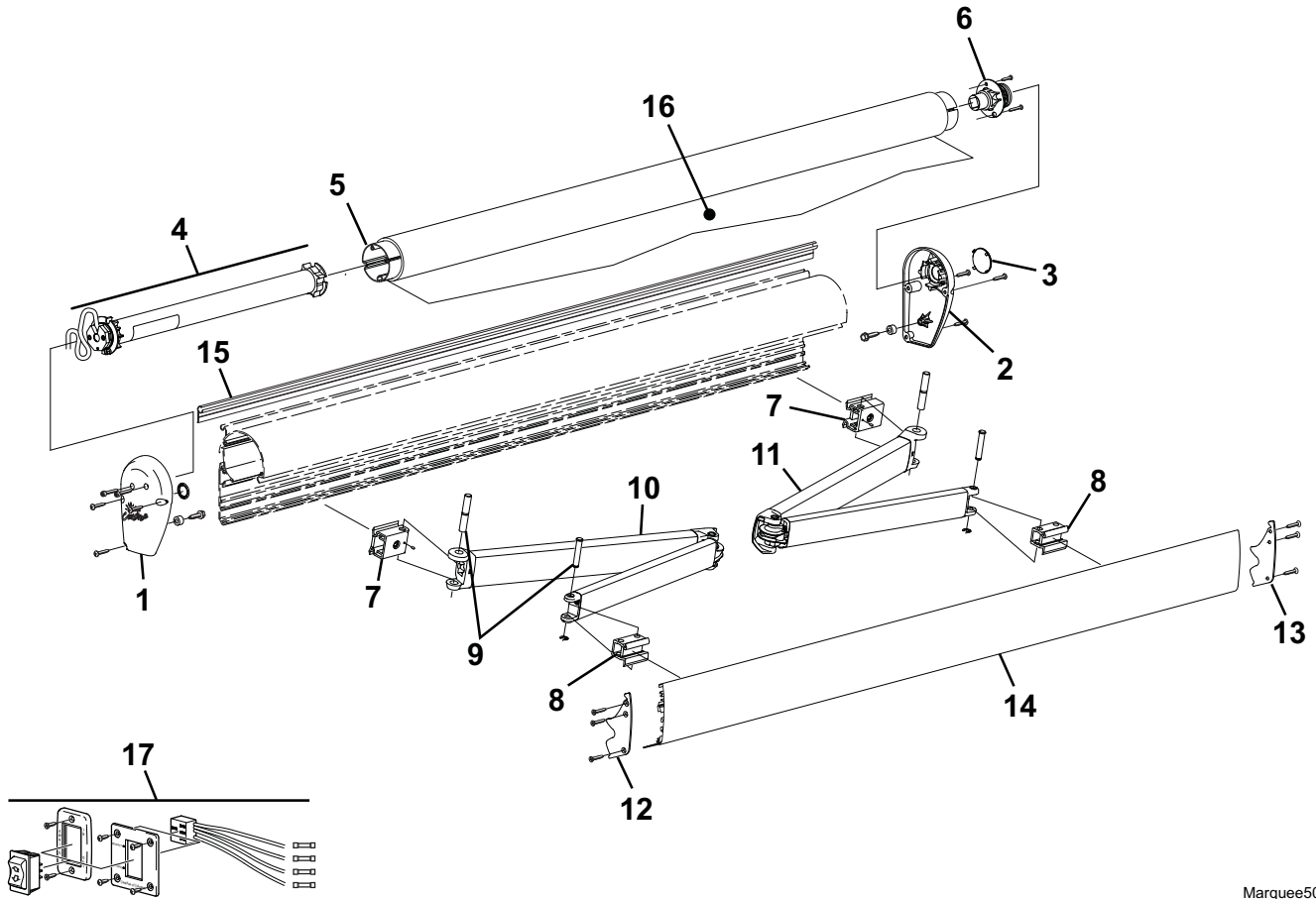
Marquee502a

Item	Part Number	Description	Notes
1		Awning Rail	See Hardware and Accessories
2	R037318-005	End Cap, White Only	LH 2
3	R054017-001	Wall, Closeout	
4	R037319-00X	End Cap	RH 2
5	R001531	Motor Kit	
6		Roller Tube	See Hardware and Accessories
7	R040751-001	Bearing, Roller Tube, RH	
8	R001362XXX-xxx	Lead Rail	
9	R036450-00X	End Plate, Lead Rail	LH 2
10	R036464-00X	End Plate, Lead Rail	RH 2
11	R012530-TB32L	Spring Arm Assy	LH 5
12	R012530-TB32R	Spring Arm Assy	RH 5
13	R019804-001	Connector Assy, Case	Window 3
	R019804-002	Connector Assy, Case	OtD 3
14	R019853-001	Connector Assy, Case	3
15	R019799-001	Connector Assy, Lead Rail	
16	R001630	Hardware Pack, Arm Attach, 1 Arm	5
17	R001605	Switch Kit	
18	R019819-001	Owners Kit (manual & mounting screws)	
19		Canopy Only	Refer to Canopy Order Form

- Notes:
1. XXX = Color; xxx = Length in inches.
 2. 00X = 005 for White; 006 for Black
 3. Two case connector configurations are used on the Marquee (item 13 - original, item 14 - new). Refer to Detail A, older style can be identified by the groove on the front face and the two holes through the top. The new and old connectors are not interchangeable. Identify the correct connector before ordering.
 4. Motor kit (item 5) includes bearing, drive and end spacer.
 5. Attaching hardware is not furnished with spring arm assemblies. Order item 16. Item 16 includes pins, set screw, retaining ring and bushings.

MARQUEE SERIES AWNING ILLUSTRATED PARTS LIST (**UNITS BUILT AFTER JULY 2010**)

Use this page for units that do have an end plug in the RH end cap. Use the previous page if the unit does not have an end plug.



Marquee504

Item	Part Number	Description	Notes
1	R001660XXX	End Cap LH	
2	R001661XXX	End Cap RH	
3	R040792-00X	End Plug, Manual Override	
4	R001651	Motor Kit	2
5		Roller Tube	See Tools and Hardware
6	R001623	Roller Tube End Plug, RH	
7	R019853-001	Connector Assembly, Case	
8	R019799-001	Connector Assembly, Lead Rail	
9	R001630	Hardware Pack, Arm Attach, 1 Arm	
10	R012530-TB32L	Spring Arm Assembly, LH	3
11	R012530-TB32R	Spring Arm Assembly, RH	3
12	R036450-00X	End Plate, Lead Rail, LH	
13	R036464-00X	End Plate, Lead Rail, RH	
14	R001362XXX-xxx	Lead Rail	
15		Awning Rail	See Tools and Hardware
16		Canopy Only	Refer to Canopy Order Form
17	R001605	Switch Kit	

- Notes:
1. XXX = Color; xx = Length. 00X=005 for White; 006 for Black
 2. Motor Kit includes bearing and one-way drive.
 3. Attaching hardware not included with spring arm assemblies. Order item 9. Item 9 includes pins, set screw and retaining ring.