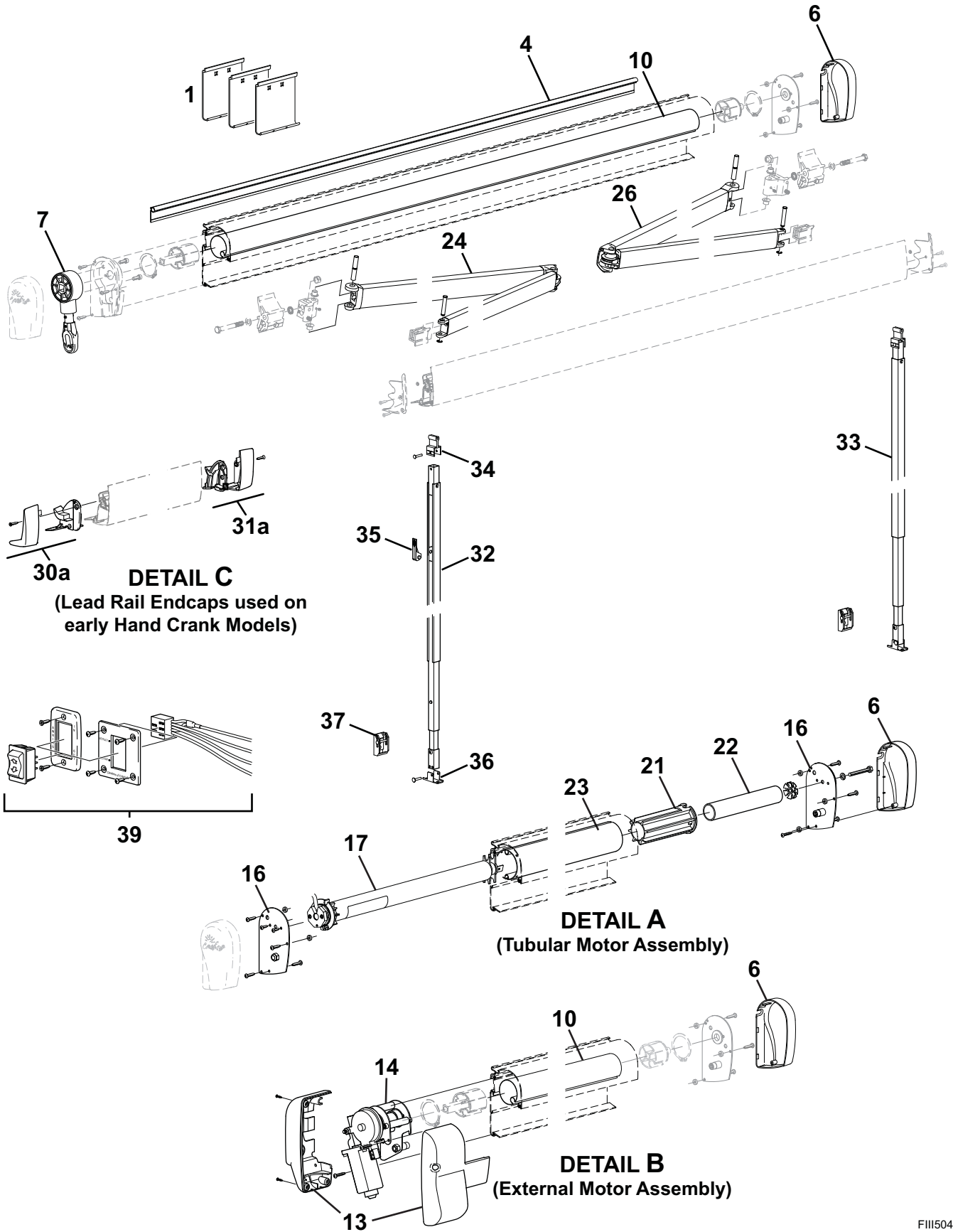


# FREEDOM SERIES PATIO ILLUSTRATED PARTS LIST (SERIES CODE AV)

- MANUFACTURED AFTER 01-09

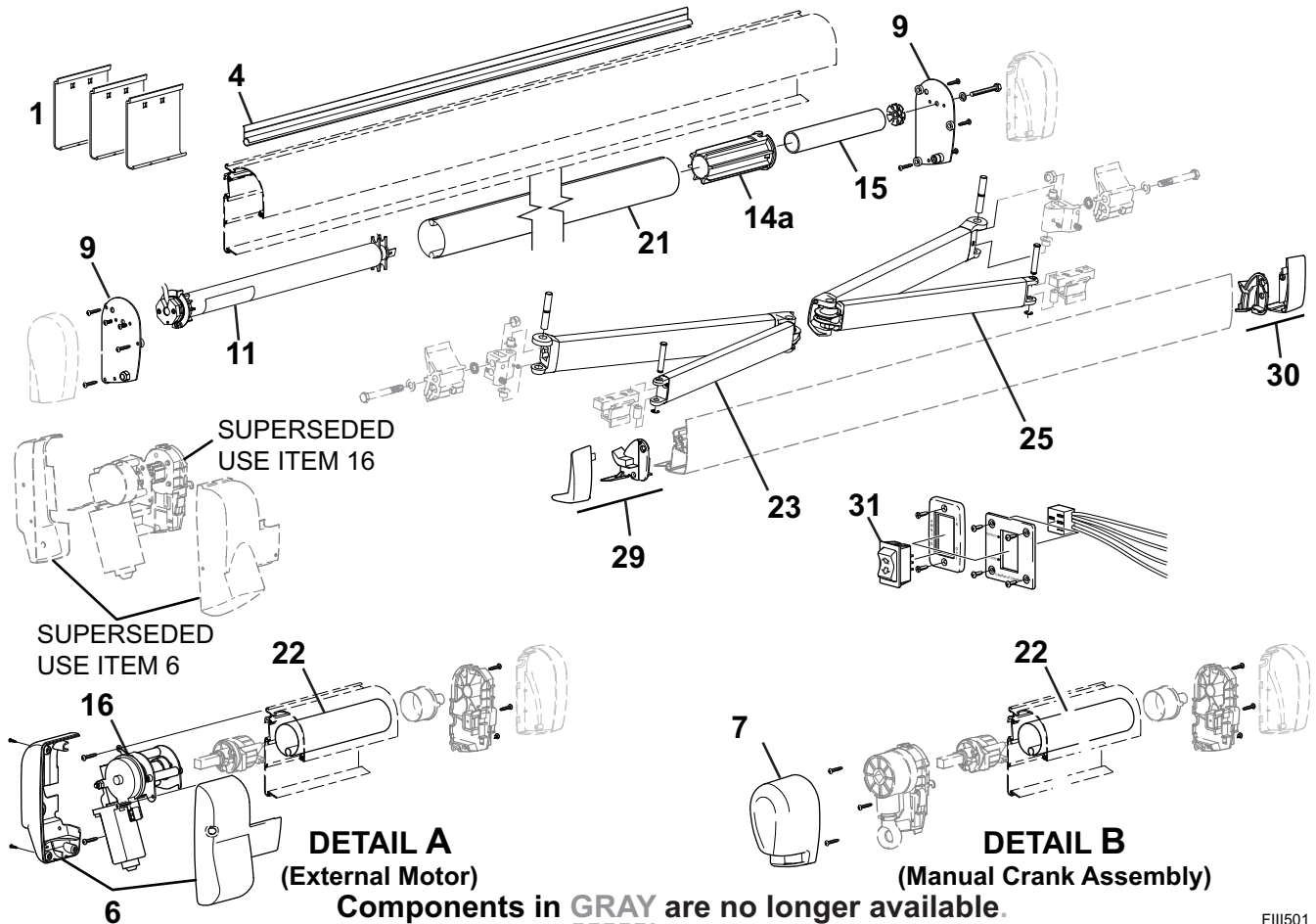


Item	Part Number	Description	Notes
1	R019311-001	Bracket Kit	8'-11' 2
4		Awning Rail	See Hardware and Accessories
6	R001199XXX	End Cap, RH	
7	R062777-XXX	Manual Crank Assy	
10		Roller Tube, 1 7/8, Steel	See Hardware and Accessories
13	R001503XXX	End Cap Kit, 2-pieces, LH	External Motor
14	R001502XXX	Motor Assy (includes end caps)	External Motor
16	R036425-001	End plate, Housing, Motorized, Tubular Motor	LH, RH
17	R001189	Motor, Tubular	3
21	R001188	Bushing, Roller Tube	RH
22	R034923-001	Pivot Tube, Roller Tube	RH
23		Roller Tube, 2 1/4	See Hardware and Accessories
24	R012530-TB68L	LH Spring Arm 8'	
	R012530-TB76L	LH Spring Arm 9'	
	R012530-TB94L	LH Spring Arm 10'-13'	
26	R012530-TB68R	RH Spring Arm 8'	
	R012530-TB76R	RH Spring Arm 9'	
	R012530-TB94R	RH Spring Arm 10'-13'	
30a	R001027XXX	End Plate, Lead Rail	SEE NOTE 4 LH 4
31a	R001028XXX	End Plate, Lead Rail	SEE NOTE 4 RH 4
32,33		Ground Support	
		Awning Length (22) LH (23) RH	
		8 foot R00201 R00205	
		9 foot R00202 R00206	
		10-13 feet R00203 R00207	
34	R001652	Pivot Block	
35	R00144	Flipper Latch Assy	6
36	R00394	Carport Foot	
37	R00038	Bottom Bracket	Qty 1
38		Hand Crank Assembly	See Hardware and Accessories
39	R001605	Switch Kit	5

- Notes:
1. XXX = Color.
  2. Brackets available in kits only. All kits include carriage bolts, washers and nuts.
  3. Motor assembly (item 17) includes drive and bearing.
  4. Plastic lead rail plates (30a, 31a) used on early hand crank models.
  5. Switch Kit (item 29) replaces all previous single switch kits. Kit includes instructions for replacing older switches.
  6. Replacement latch levers are orange.

FREEDOM WINDOW & OTD ILLUSTRATED PARTS LIST

- MANUFACTURED PRIOR TO SEPT 2008



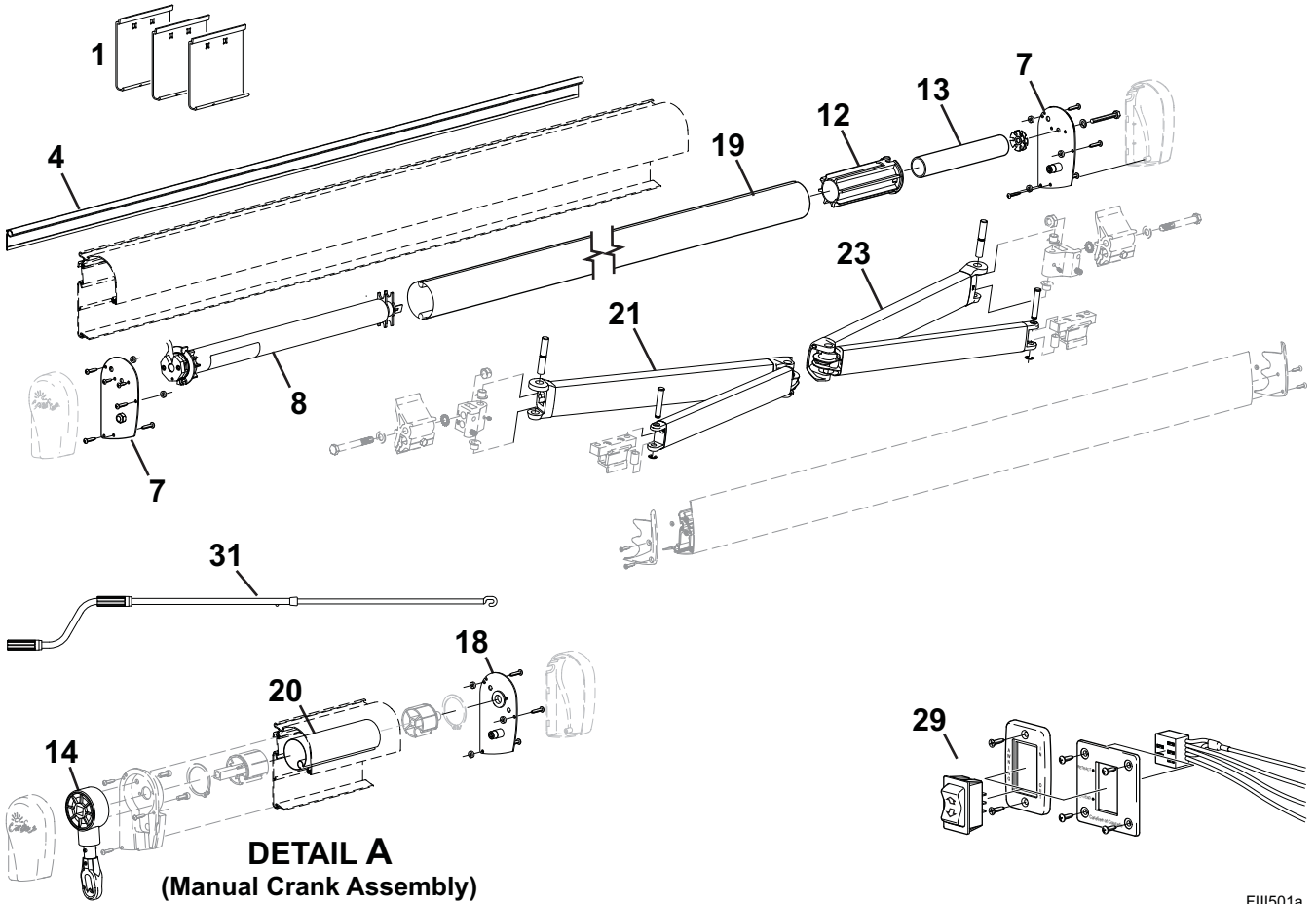
FIII501

Item	Part Number	Description	Notes
1	R019311-001	Bracket Kit	8'-13' 4
4		Awning Rail	See Hardware and Accessories
6	R001503XXX	Motor & End Cap Assembly, Worm Drive	LH 3
7	R001026XXX	End Cap, Manual Crank	LH
9	R036425-001	End plate, Housing, Tubular Motor	LH, RH 2
11	R001189	Motor, Tubular	2, 5
14a	R001188	Bushing, Roller Tube	RH 2, 5
15	R034923-001	Pivot Tube, Roller Tube	RH 2
16	R001502XXX	Motor & End Cap Assembly, Worm Drive	3
21		Roller Tube, 2 1/4	See Hardware and Accessories
22		Roller Tube, 1 7/8	See Hardware and Accessories
23	R012530-TB32L	Spring Arm Assy	LH
25	R012530-TB32R	Spring Arm Assy	RH
29	R001027XXX	End Plate, Lead Rail	LH
30	R001028XXX	End Plate, Lead Rail	RH
31	R001605	Switch Kit	6

- Notes:
1. XXX = Color.
  2. Used on motorized models Mid-2005 and ON.
  3. Silver motor used on motorized models prior to Mid-2005.
  4. Brackets available in kits only. All kits include carriage bolts, washers and nuts.
  5. Motor Replacement Kit (item 11) includes bearing and drive.
  6. Switch kit (item 31) contains switch and bezels. Kit replaces all previous switches.

FREEDOM WINDOW & OTD ILLUSTRATED PARTS LIST

- MANUFACTURED AFTER SEPT 2008



FIII501a

Item	Part Number	Description	Notes
1	R019311-001	Bracket Kit	8'-13' 2
4		Awning Rail	See Hardware and Accessories
7	R036425-001	End plate, Housing, Motorized, Tubular Motor	LH, RH
8	R001189	Motor, Tubular	3
12	R001188	Bushing, Roller Tube	RH
13	R034923-001	Pivot Tube, Roller Tube	RH
14	R062777-XXX	Manual Crank Assy	
18	R001539	End Plate, Housing, Manual Crank	RH
19		Roller Tube, 2 1/4	See Hardware and Accessories
20		Roller Tube, 1 7/8, Steel	See Hardware and Accessories
21	R012530-TB32L	Spring Arm Assy	LH
23	R012530-TB32R	Spring Arm Assy	RH
29	R001605	Switch, DPDT, Momentary Contact	Ext/Ret 4
31		Hand Crank Assembly	See Hardware and Accessories
32	R001251	Shim Kit	not shown

- Notes:
1. XXX = Color; xxx = Length in inches.
  2. Brackets available in kits only. All kits include carriage bolts, washers and nuts.
  3. Motor Replacement Kit (item 8) includes bearing and drive.
  4. Switch kit (item 29) includes switch and bezels. Kit replaces all previous switches.