

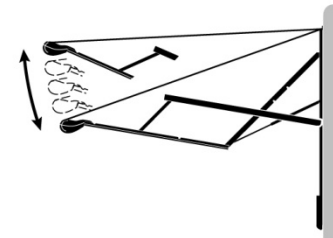


Quality • Value
Performance • Style

SPECIFICATION SHEET

ECLIPSE

Vertical Arm Motorized Awning



Adjustable Pitch

E0104

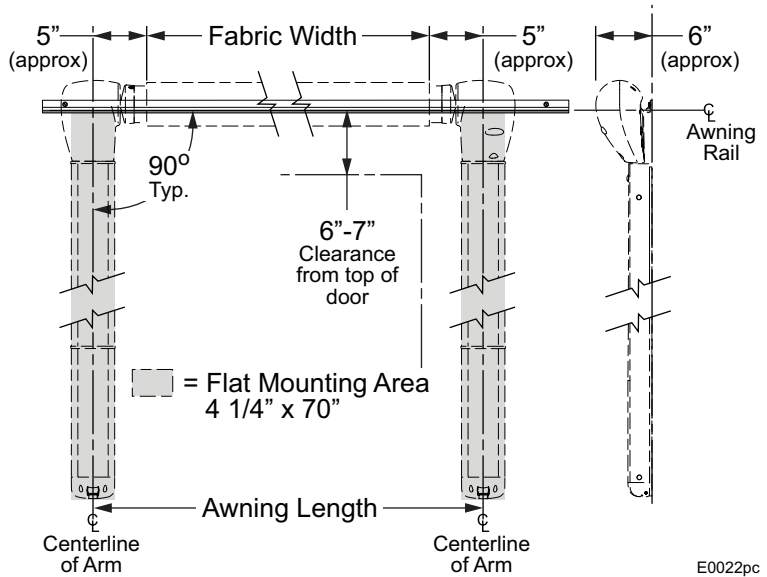
- The unique "scissor" style arms eliminate the need for vertical ground supports.
- Easy to use 6 position pitch adjustment. The pitch can be left in any position and the Eclipse will roll up completely! When the awning is rolled back out, it rolls out to the pitch setting previously set.
- Worm gear style motor is billow proof - eliminates the need for travel locks.
- Can be installed using a single switch control or with the Direct Response™ electronic system. An RF remote is available with the Direct Response™ system.

SPECIFICATIONS

LENGTH	12' - 21' [366 - 640cm]		
EXTENSION:	8' [244cm]	Drop @ Min. Pitch: 12" [30.5cm]	Drop @ Max. Pitch: 40" [102cm]
<i>Values are approximate, actual dimensions may vary with specific installations.</i>			
EXTENSION TIME:	28 Seconds (approx)	RETRACT TIME:	32 Seconds (approx)
POWER REQUIREMENTS:	12VDC (operating range 10VDC to 14VDC)		Circuit Rating: 15 amp
POWER SOURCE:	Motor and controls are routed and hardwired into the vehicle's 12V system		
EMERGENCY RETRACT:	Electrical override system (external power source)		
COLOR:	<i>Hardware:</i>	White, Satin or Black	
	<i>Fabric:</i>	Heavy Duty Vinyl or Acrylic Fabric	
	<i>Fabric Wrap:</i>	Weatherguard (vinyl only), FLXguard, Alumaguard or Uniguard	
OPTIONS:	◆ Direct Response Electronic Package available as an upgrade kit		
	◆ Wireless remote control is available with the Direct Response version.		
	◆ Additional remotes are available.		
	◆ Optional factory installed LED lighting available. LED strip mounts on roller tube. Wiring is routed through the canopy hem.		
	◆ Available as a complete awning or as an upgrade to existing Carefree or A&E awnings with an 8' extension. If upgrading an A&E with a steel roller tube it is also necessary to replace the roller tube with a Carefree aluminum roller tube.		

MEASURING, INSTALLATION AND ORDERING TIPS:

- Awning is measured center of arm to center of arm.
 - At the awning rail the canopy is 10" shorter than stated awning size. At the roller tube, tapered canopies are 15" shorter than stated awning size.
 - Roller tube is 7" shorter than stated awning size.
 - Alumaguard is 9" shorter than stated awning size.
 - Uniguard is 7" shorter than stated awning size.



E0022pc

- Arm sets require a flat mounting area 4.25" x 70";

Door Clearance Note:

The minimum distance from the top of the door to the awning rail:
 6" for Vinyl Weatherguard
 7" for Alumaguard/Uniguard

- **12V Hardwired:** Must be wired into a 12V source inside of the RV. It is recommended that the awning be wired to a dedicated 15 amp circuit.
- All orders are custom and Non-Returnable.

SHIPPING:

- Cannot be shipped UPS. Applicable freight charges apply.