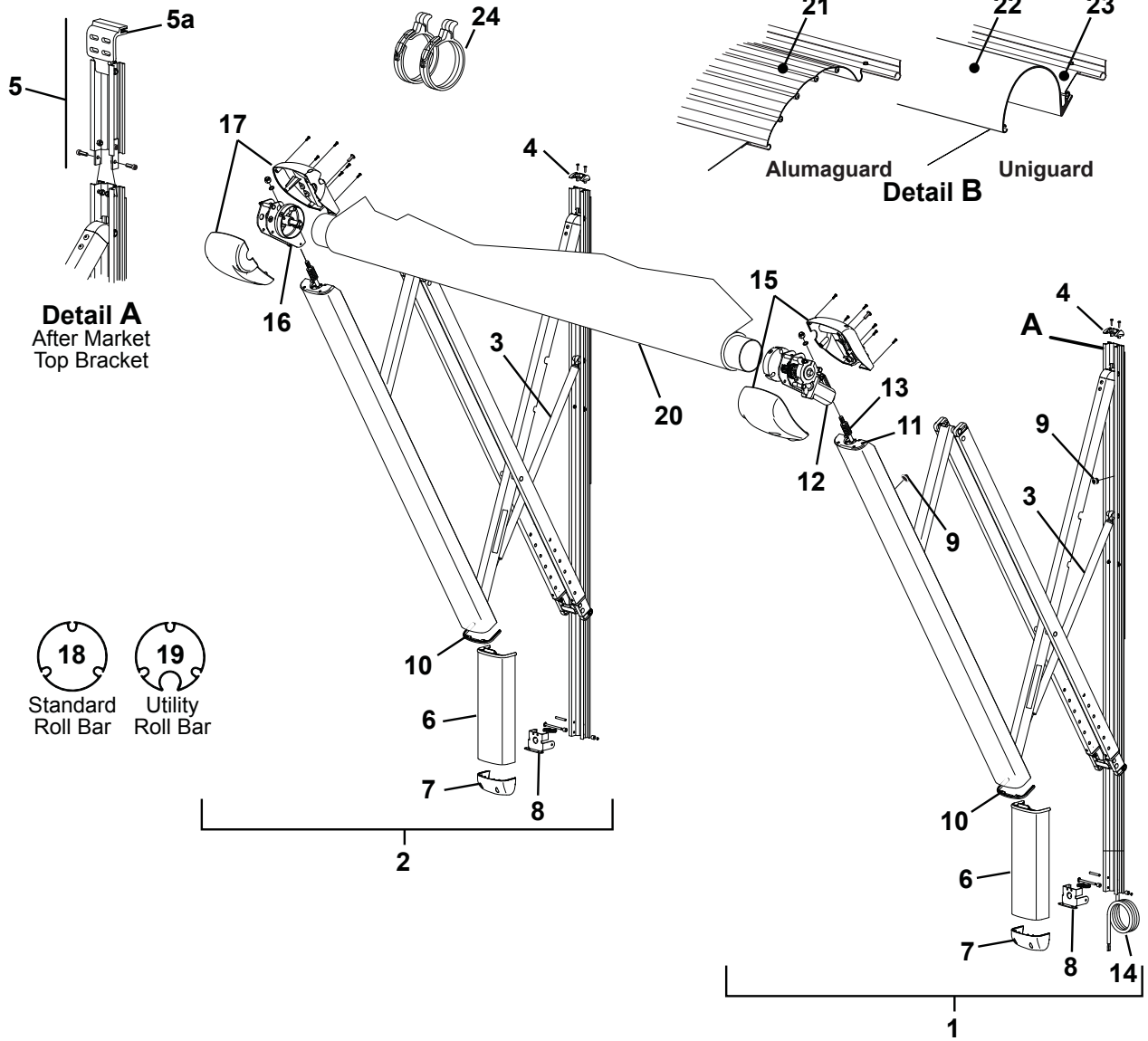
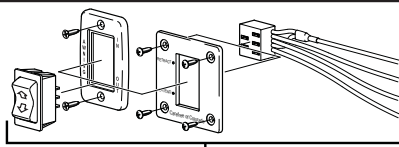


ECLIPSE ILLUSTRATED PARTS LIST



Single Switch Kit

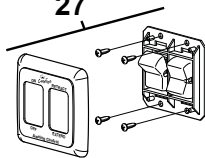


25

Multi-Switch Electronics



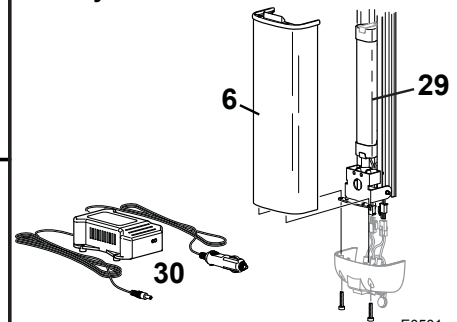
26



27

28

Battery



6

E0501a

For Direct Response Electronics: Refer to "ELECTRONIC SYSTEMS AND COMPONENTS"

Item	Part Number	Description		Notes
1	Contact Carefree	1/2 Set Hardware, Arm Assy, Motorized, RH	Standard	5,7
2	for Order	1/2 Set Hardware, Arm Assy, Idler, LH	Standard	5,7
	Information			
3	R001099	Gas Shock		
4	R001100XXX	Cap, Rail Top		
5	R014635XXX	Top Extension Kit (aftermarket installations only)		6
5a	R001094XXX	Top Mounting Bracket (aftermarket installation only)		
6	R001102XXX	Fascia		
	R001102XXX-XL	Fascia for XL		
7	R001103XXX	Fascia Cap, No Switch		
8	R001101	Hinge Bracket Kit		
9	901008	Rubber Bumper		
10	R001110XXX	Cap, Channel, Bottom		
11	R001111XXX	Cap, Channel, Top		
12	R001104XXX	Motor Assy		
13	R001323	Kit, Head Attach Hardware		
14	R060414-00X	Motor Cable		
15	R001324XXX	Kit, Motor Cover		2
16	R001107XXX	Idler Assy		
17	R001325XXX	Kit, Idler Cover		2
18	19xx00	Roller Tube, 3-Slot	3 1/2" Dia	
19	15xx00A	Roller Tube, w/ Utility Slot	3 1/2" Dia	
20		Canopy	Refer to Canopy Order Form	
21	20xxx36XXX	Alumaguard Assembly Only		
22	R001246XXX-xxx	Uniguard (includes 4.25" soft connect)		
	R001246XXX-xxxT	Uniguard (includes 5.25" soft connect)		
23	R001247XXX-xxx	Soft Connect	4.25 Wide	
	R001247XXX-xxxT	Soft Connect	5.25" Wide	
24	R00928	Tractioner Kit	pkg of 2	
25	R001605	Kit, Single Switch		3
26	R001112	Relay Module	Multi-Switch	
27	R019468-006	Kit, Multiple Switch	Multi Switch	4
28	R001147	Receptacle	Multi-Switch	
29	R001098	Battery	Battery Configuration Only	
30	R001097	Battery Charger	Battery Configuration Only	
	<i>The following components are not shown</i>			
31	R001509	Owners Kit: Jumper Cable, Manual & Hex Key		
32	041223-006	Foam Tape, Black		
	041223-005	Foam Tape, White		
33	R019291-005	Arm Roller Kit	White	
	R019291-006	Arm Roller Kit	Black	

- Notes:
1. XXX = Color; xxx = Length in inches.
 2. Cover kits include front cover, rear cover and attaching screws.
 3. Switch kit (item 28) includes switch, faceplates, screws and connector and replaces all previous single switch kits. Components not available separately.
 4. Switch kit (item 30) includes switches, faceplate and screws and replaces all previous multi switch kits. Components not available separately.
 5. After 01-01-2011 all replacement arms will have a 60 7/8" rear extrusion. Aftermarket arms will include item 5 (top extension kit). This change does not affect existing mounting hole locations.
 6. Top extension kit (item 5) includes top mounting bracket (item 5a)
 7. Have arm part # from arm label when calling. (see page 13)