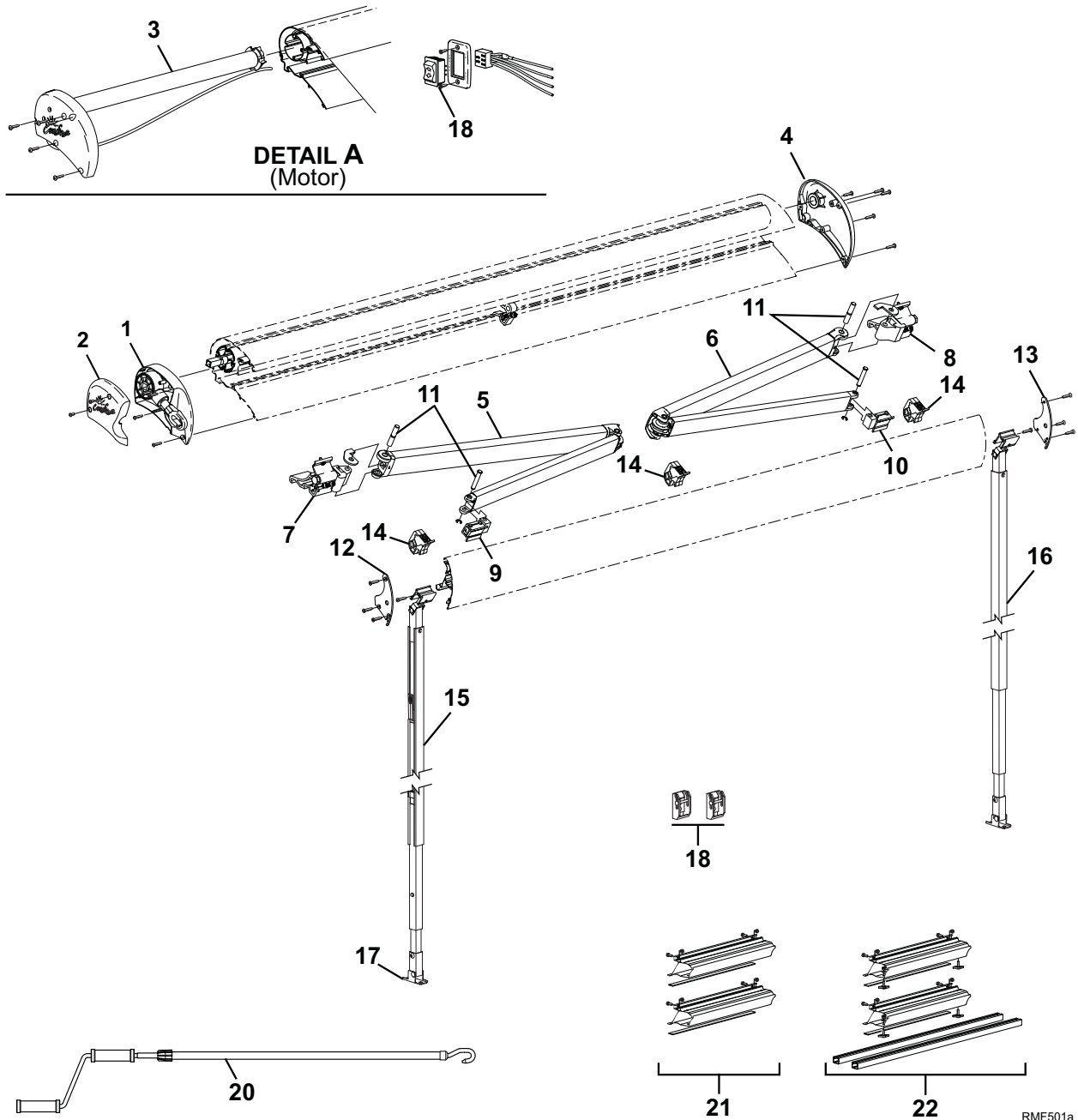


# FREEDOM RM ILLUSTRATED PARTS LIST



<b>Item</b>	<b>Part Number</b>	<b>Description</b>	<b>Notes</b>
<b>1</b>	R001593WHT	Crank Assy, White	
	R001593BLK	Crank Assy, Black	
	R001593SAT	Crank Assy, Satin	
<b>2</b>	R037361-005	Endcap Outer, Manual, LH, White	
	R037361-006	Endcap Outer, Manual, LH, Black	
	R037361-001	Endcap Outer, Manual, LH, Satin	
<b>3</b>	R001647WHT	Motor Assembly, White	3,4
	R001647BLK	Motor Assembly, Black	3,4
	R001647SAT	Motor Assembly, Satin	3,4
<b>4</b>	R001594WHT	Endcap Assy, RH, White	
	R001594BLK	Endcap Assy, RH, Black	
	R001594SAT	Endcap Assy, RH, Satin	
<b>5</b>	R012530-TB68L	Spring Arm Assy, LH	Used with 2.44 Meter 1
	R012530-TB76L	Spring Arm Assy, LH	Used with 2.57 Meter
	R012530-TB94L	Spring Arm Assy, LH	Used with 3 Meter & Up 1
<b>6</b>	R012530-TB68R	Spring Arm Assy, RH	Used with 2.44 Meter 1
	R012530-TB76R	Spring Arm Assy, RH	Used with 2.57 Meter 1
	R012530-TB94R	Spring Arm Assy, RH	Used with 3 Meter & Up 1
<b>7</b>	R019280-001	Connector Assy, Case, LH	1
<b>8</b>	R019280-002	Connector Assy, Case, RH	1
<b>9</b>	R019269-003	Connector Assy, Lead Rail, LH	1
<b>10</b>	R019269-002	Connector Assy, Lead Rail, RH	1
<b>11</b>	R001595	Hardware Pack, Arm Attach, 1 Arm	
<b>12</b>	R035389-005	Lead Rail End Plate, LH, White	
	R035389-006	Lead Rail End Plate, LH, Black	
	R035389-001	Lead Rail End Plate, LH, Satin	
<b>13</b>	R035388-005	Lead Rail End Plate, RH, White	
	R035388-006	Lead Rail End Plate, RH, Black	
	R035388-001	Lead Rail End Plate, RH, Satin	
<b>14</b>	R001658	Ramp Kit	5
<b>15</b>	R001655-001	Vertical Support Leg, LH	Used with 3 Meter & smaller 6
	R001655-002	Vertical Support Leg, LH	Used with 3.5 Meter & Up 6
<b>16</b>	R001655-101	Vertical Support Leg, RH	Used with 3 Meter & smaller 6
	R001655-102	Vertical Support Leg, RH	Used with 3.5 Meter & Up 6
<b>17</b>	R00394	Carport Foot	
<b>18</b>	R019283-005	Kit, Bottom Bracket, White	qty: 2
	R019283-006	Kit, Bottom Bracket, Black	qty: 2
	R019283-001	Kit, Bottom Bracket, Satin	qty: 2
<b>19</b>	R001605	Switch Kit	
<b>20</b>	R001546-RP	Crank Handle	
<b>21</b>	R014644-001	Bracket Kit (includes 2 brackets and hardware)	Flat Roof
<b>22</b>	R014644-002	Bracket Kit (includes 2 brackets and hardware)	Sprinter Roof 2

- Notes:
1. Attaching hardware not included with assemblies. Order item 11.
  2. Sprinter brackets require the Sprinter roof channel . Substitute channels included in kit for vehicles without the OEM installed channels.
  3. Motor assy (tem 3) includes motor, bearing, one-way drive and end cap. Motor components not available separately.
  4. A motor upgrade kit (SR0098XXX) is available for manual crank awnings and includes motor assembly (item 3), switch kit (item 18) and attaching hardware.
  5. Ramp kit (item 14) contains 3 each ramp assemblies.
  6. Original vertical support legs uses a gray flipper latch. Replacement latch kit is R00144. Kit not available if leg has orange flipper latch.